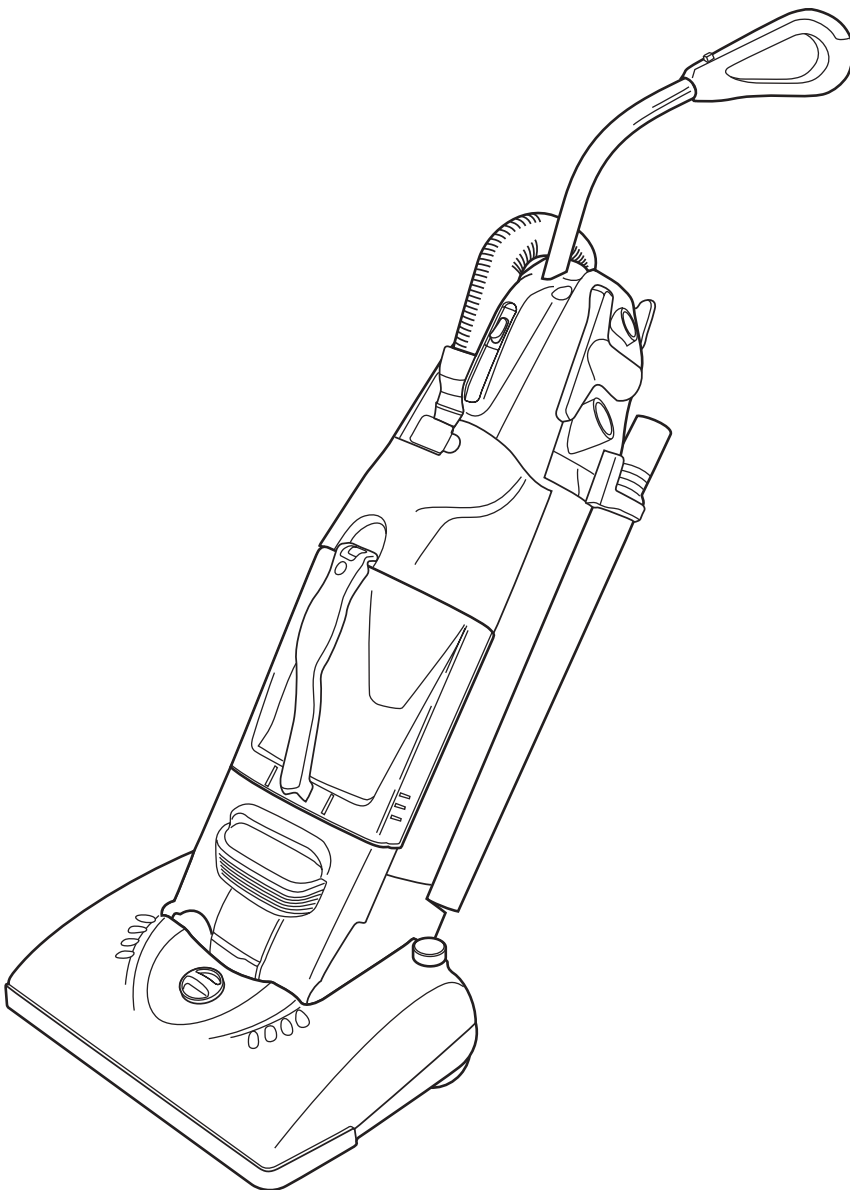


EUREKA

Self-Propelled Cyclonic Upright Vacuum Cleaner

Household Type

Owner's Guide 5190 Series



Index

Important Safeguards	2
General Information	4
Thermal Cut Off	4 & 7
Assemble	5
Use	6-7
Accessories	8
Dirt Alert Feature	9
Maintenance	10
Brush Roll and Belt	10-11
Hose Clogs	12
Cassette and Filters	13-14
Light Bulb	15
Problem Solving	16
Order Form	17
Warranty	19

IMPORTANT

Do **not** return this product to the store.

For assembly problems or questions contact: Eureka's Customer Service Division toll free at 1-800-282-2886*, 7 a.m. to 8 p.m., Central Standard Time, Monday through Saturday.

For replacement of broken or missing items to be shipped direct to you, call 1-800-438-7352*, 8 a.m. to 4:45 p.m., Central Standard Time, Monday through Friday.

*En Mexico llame al 5670-6169

IMPORTANT SAFEGUARDS

When using an electrical appliance, basic precautions should always be followed, including the following:

READ ALL INSTRUCTIONS BEFORE USING THIS VACUUM CLEANER.

WARNING

To reduce the risk of fire, electric shock, or injury:

- Do not use outdoors or on wet surfaces.
- **Do not leave vacuum cleaner when plugged in.** Turn off the switch and unplug the electrical cord when not in use and before servicing.
- Do not allow to be used as a toy. Close attention is necessary when used by or near children.
- Use only as described in this manual. Use only manufacturer's recommended attachments.
- Do not use with damaged cord or plug. If vacuum cleaner is not working as it should, has been dropped, damaged, left outdoors, or dropped into water, return it to a service center before using.
- Do not pull or carry by cord, use cord as a handle, close a door on cord, or pull cord around sharp edges or corners. Do not run vacuum cleaner over cord. Keep cord away from heated surfaces.
- Do not use extension cords or outlets with inadequate current carrying capacity.
- Turn off all controls before unplugging.
- Do not unplug by pulling on cord. To unplug, grasp the plug, not the cord.
- Do not handle plug or vacuum cleaner with wet hands.
- Do not put any object into openings. Do not use with any opening blocked; keep free of dust, lint, hair, and anything that may reduce airflow.
- This vacuum cleaner creates suction and contains a revolving brush roll and a power drive wheel. Keep hair, loose clothing, fingers, and all parts of body away from openings, brush roll, and power drive wheel.
- Do not place cleaner on furniture or stairs as the brush roll or drive wheel may cause damage. Place the cleaner on the floor with the handle in the storage position and the drive selector in the manual position while using attachments.
- Do not pick up anything that is burning or smoking, such as cigarettes, matches, or hot ashes.
- Do not use without cyclonic cassette or filter(s) in place.
- Belt pulleys can become hot during normal use. To prevent burns, avoid touching the belt pulley when servicing the drive belt.
- Use extra care when cleaning on stairs.
- Do not use to pick up flammable or combustible liquids such as gasoline, or use in areas where they may be present.
- Store your cleaner indoors in a cool, dry area.
- Keep your work area well lighted.
- Unplug electrical appliances before vacuuming them.

SAVE THESE INSTRUCTIONS

CONSEILS DE SÉCURITÉ

Lors de l'utilisation d'un appareil électrique, quelques précautions élémentaires doivent être observées, incluant les suivantes:

LISEZ TOUTES LES INSTRUCTIONS AVANT D'UTILISER VOTRE ASPIRATEUR.

AVERTISSEMENT

Pour réduire le risque de feu, de choc électrique, ou de blessure:

- Ne pas utiliser à l'extérieur ou sur des surfaces mouillées.
- **Fermez le commutateur et débranchez l'appareil lorsque vous ne l'utilisez pas ou avant le nettoyage ou l'entretien.**
- Ne permettez pas qu'il soit utilisé comme jouet. Une attention particulière est nécessaire lorsque utilisé par ou près d'un enfant.
- Suivez les recommandations d'utilisation de ce manuel. Utilisez uniquement les accessoires recommandés par le fabricant.
- Ne pas utiliser si le cordon ou la fiche sont endommagés. Si l'aspirateur ne fonctionne pas comme il le devrait, s'il a été échappé, s'il est endommagé, s'il a été laissé à l'extérieur ou échappé dans l'eau, retournez-le à un centre de service avant d'utiliser.
- Ne pas le tirer ou le transporter par le cordon, ne pas utiliser le cordon en guise de poignée. Ne pas fermer une porte sur le cordon ou tirer le cordon sur des coins ou bordures pointus. Ne pas circuler sur le cordon avec l'aspirateur. Tenir le cordon à distance des surfaces chauffantes.
- Ne pas utiliser des rallonges ou des prises qui n'ont pas de capacité suffisante pour transporter le courant.
- Fermer tous les contrôles avant de débrancher.
- Ne pas débrancher en tirant sur le cordon. Pour débrancher, tenez la fiche et non le cordon.
- Ne pas manipuler la fiche ou l'aspirateur avec les mains mouillées.
- Ne pas rien insérer dans les ouvertures. Ne pas utiliser si des ouvertures sont bloquées; assurez-vous qu'elles soient dégagées de poussière, mousse, cheveux ou toute autre chose qui pourrait réduire le passage de l'air.
- Cet aspirateur crée de la succion et contient un rouleau-brosse tournant et une roue motrice. Tenir les ouvertures, le rouleau-brosse et la roue motrice loin des cheveux, du linge et de toute partie du corps.
- Ne pas poser l'aspirateur sur les meubles ou sur les escaliers puisque le rouleau-brosse ou la roue motrice peut les abîmer. Lors de l'utilisation des accessoires, maintenez le manche dans la position verticale et mettez le sélecteur du mode d'entraînement à la position "Manuel."
- Ne pas ramasser des objets qui brûlent ou fument comme les cigarettes, allumettes ou cendres chaudes.
- N'utilisez pas sans le cassette de cyclonique ou filtre(s) en place.
- Les poulies du courroie peuvent devenir chaudes pendant l'utilisation normale. Pour prévenir des brûlures, évitez de touché la poulie du courroie lorsque vous réparez la courroie.
- Portez une attention particulière lorsque vous nettoyez les escaliers.
- Ne pas utiliser pour ramasser des liquides inflammables ou combustibles comme de l'essence: Ne pas utiliser dans les endroits où ces liquides pourraient être présents.
- Entrez votre aspirateur à l'intérieur dans un endroit propre et sec.
- Maintenez un bon éclairage à l'endroit où vous travaillez.
- Débrancher les appareils électrique avant de les balayer.

CONSERVEZ CES INSTRUCTIONS

To reduce the risk of electric shock, this appliance has a polarized plug (one blade wider than the other). This plug will fit in a polarized outlet only one way. If the plug does not fit fully in the outlet, reverse the plug. If it still does not fit, contact a qualified electrician to install the proper outlet. Do not change the plug in any way.

Afin de réduire le risque de choc électrique, cet appareil est muni d'une fiche polarisée (une des lames est plus large). Cette fiche ne peut être insérée dans une prise polarisée que d'une seule façon. Si la fiche ne peut être insérée dans la prise, retourner la fiche. Si la fiche ne peut toujours pas être insérée dans la prise, faire installer une prise adéquate par un électricien qualifié. Ne pas modifier la fiche.

GENERAL INFORMATION

The cleaner is designed to pick up dirt and dust particles. Avoid picking up hard or sharp objects with the cleaner to prevent bag tears and hose clogs.

Service Information

The instructions in this booklet serve as a guide to routine maintenance. For additional service information telephone our toll free number for the nearest Eureka Authorized Warranty Station. **You should know the model, type, and serial numbers when you call:**

USA: 1-800-282-2886
México: 5670-6169
Canada: 1-800-282-2886

If you prefer, you can write to The Eureka Company, Service Division, 807 North Main Street, Bloomington, Illinois 61701, USA. In Canada write to The Eureka Company, 866 Langs Drive, Cambridge, Ontario N3H 2N7. Refer to The Eureka Limited Warranty for complete service information.



DO NOT OIL the motor or the brush roll at any time. The bearings are permanently lubricated and sealed.

Rating Plate

The model, type, and serial numbers are indicated on the rating plate located on the back side of the cleaner. For prompt and complete service information, always refer to these numbers when inquiring about service.

Model & Type _____

Serial No. _____

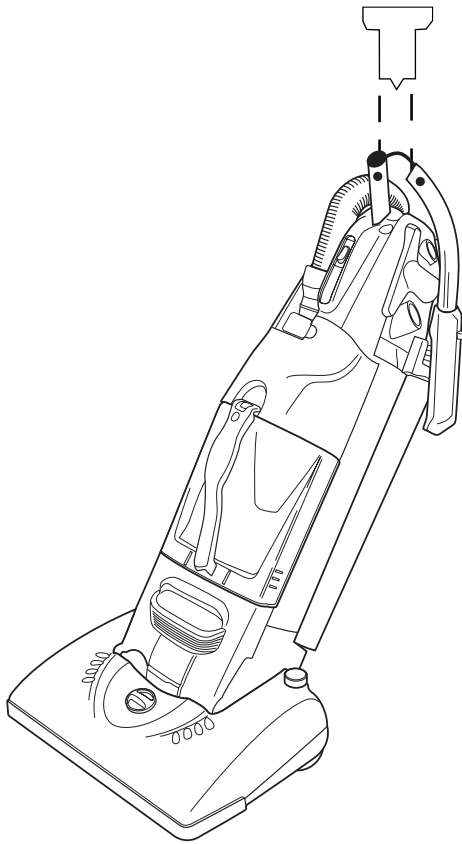
MODEL	TYPE	SERIAL NO.
VOLTS	AMPS.	HERTZ
SERVICE INFORMATION: 1-800-282-2886		
THE EUREKA COMPANY BLOOMINGTON, ILLINOIS 61701		

Thermal Cut Off

This vacuum cleaner has a special thermostat that protects the cleaner in case of motor overheating. If the cleaner suddenly shuts off, push the rocker switch to off position and unplug the cleaner. Check the cleaner for a possible source of overheating such as a full bag, a blocked hose or clogged filter. If these conditions are found, fix them and wait at least 30 minutes before attempting to use the cleaner. After the 30 minute period, plug the cleaner back in and turn on the switch. If the cleaner still does not run, then take it to a Eureka Authorized Service Center for repair.

HOW TO ASSEMBLE VACUUM CLEANER HANDLE

CAUTION: Moving parts, make sure on/off switch is in off position before plugging in.

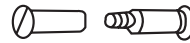


STEP 1

Pull the foam protector pieces from the ends of the handle and throw away.

STEP 2

Find the 2-part bolt in the plastic bag with the owner's guide. It is the only part needed to assemble the vacuum cleaner handle. See below.



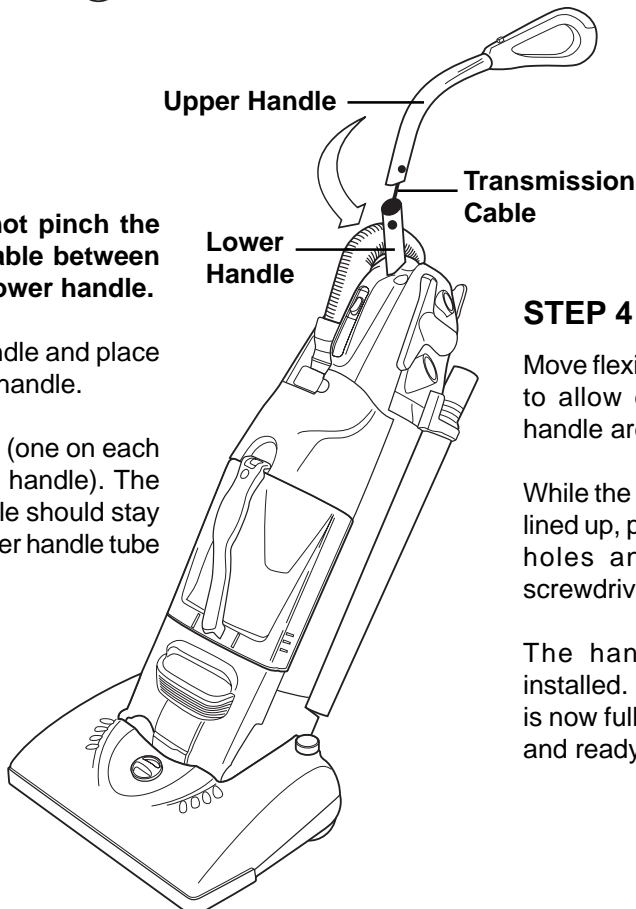
2-Part Bolt

STEP 3

CAUTION: Do not pinch the transmission cable between the upper and lower handle.

Lift the upper handle and place it over the lower handle.

Line the holes up (one on each side of the lower handle). The transmission cable should stay in place in the lower handle tube during assembly.

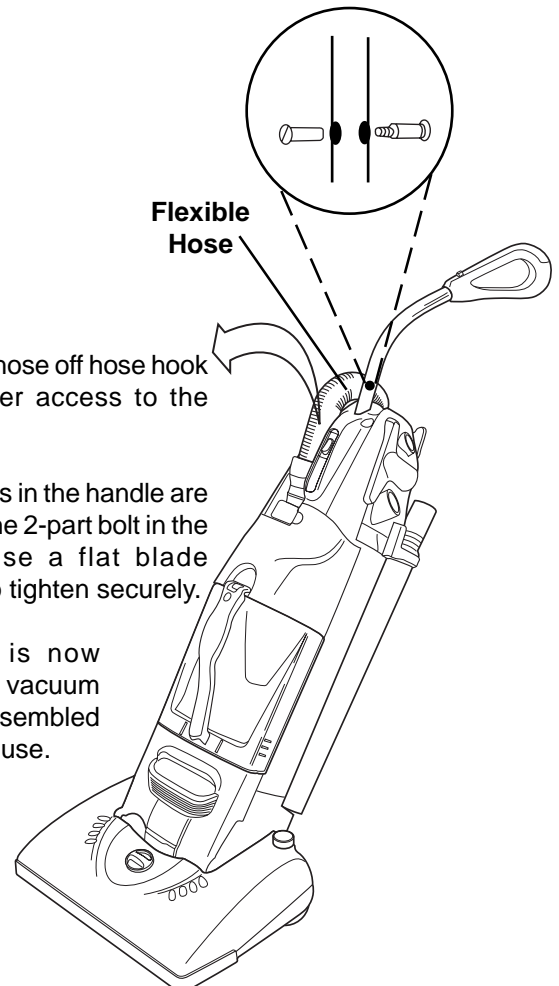


STEP 4

Move flexible hose off hose hook to allow easier access to the handle area.

While the holes in the handle are lined up, put the 2-part bolt in the holes and use a flat blade screwdriver to tighten securely.

The handle is now installed. The vacuum is now fully assembled and ready for use.



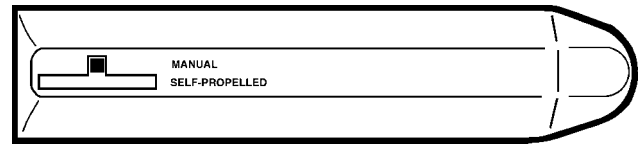
HOW TO USE THE SELF-PROPELLED VACUUM CLEANER

The upright vacuum cleaner is designed to be used on multiple types of carpeting. **Do not attempt to use the upright vacuum cleaner on bare floors**, as damage to the floor covering may result. **When using the attachment tools, place the handle in the upright position. Do not place cleaner on furniture or steps as the brush roll may cause damage.**

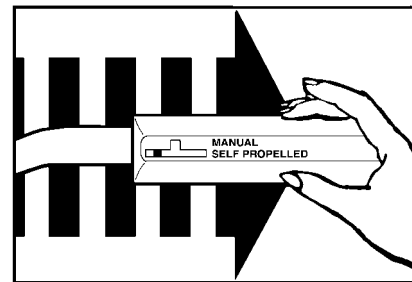
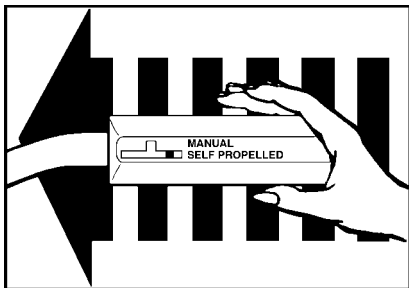
A carpet should be cleaned regularly over heavily travelled areas, and once a week over the entire carpeted area. Make several passes (forward and back) over the carpet, covering small areas at a time. The time required to clean the carpet will depend on several factors — including type of carpet and amount of dirt.

Self-Propelled Selector

Push the grip slightly forward or backward to position the red selector button to the manual notch, then push red button into the manual lock. Use the manual position for (1) storage, (2) rolling the machine from room to room, and (3) greater control around delicate furniture or on throw rugs.



Push the red selector button into the narrow slot to use the Self-Propelled feature (automatic forward and backward).



NOTE: Never lift the cleaner by the control grip. Place the handle in the upright position before rolling the machine from room to room. The selector button must be locked into the manual position when the power switch is turned OFF or when rolling the machine. Moving the machine with the power switch OFF and the Self-Propelled position engaged may damage the machine.

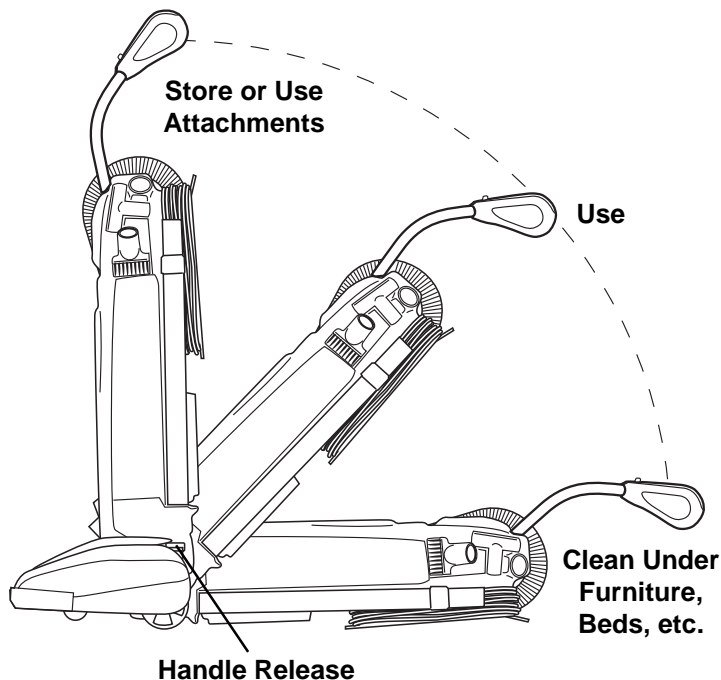
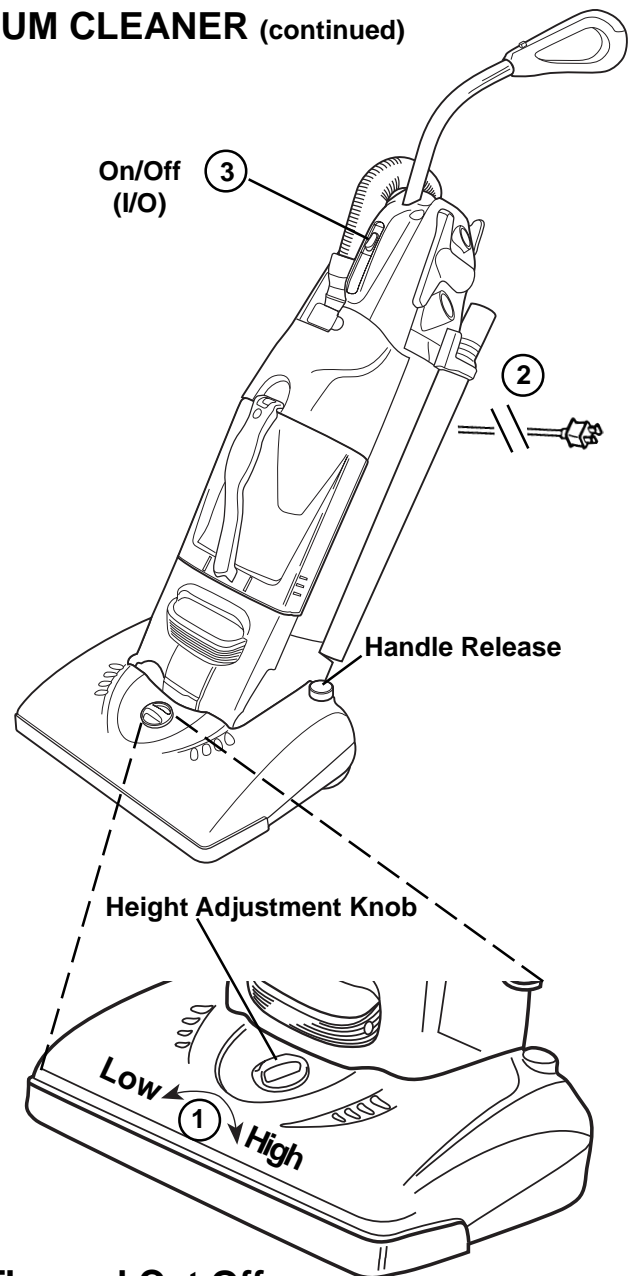
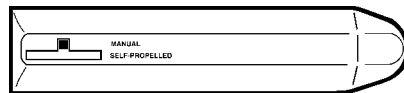
HOW TO USE THE SELF-PROPELLED VACUUM CLEANER (continued)

How to Adjust the Cleaner Height Setting

WARNING: Avoid injury. Keep hair, loose clothing, fingers, and all parts of body away from openings and moving parts (such as the revolving brush roll and power drive wheel). Turn off the switch and unplug the electrical cord before changing the cleaner height setting.

1. Turn off the switch and unplug the electrical cord before changing the cleaner height setting. If you need to adjust the cleaner height setting to the next position, place the handle in the operating position. Rotate the height adjustment knob to the next position. This will make the cleaner easier to push.
2. Plug the electrical cord into an outlet.
3. Position the power switch to the on position, place the handle selector button to the self-propelled position and begin to vacuum.

When finished cleaning, return handle grip selector button to manual position and place handle upright.



Thermal Cut Off

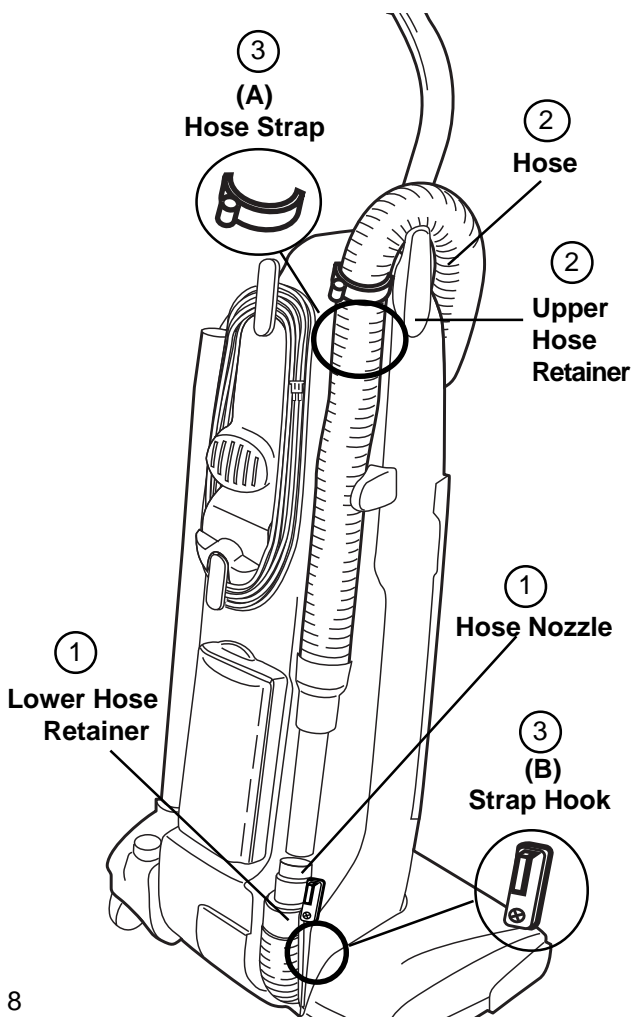
This cleaner has a special thermostat that protects the cleaner in case of motor overheating. If the cleaner suddenly turns off, follow this procedure:

1. Push on/off rocker switch to "OFF" position.
2. Unplug cleaner.
3. Check for source of overheating problem (i.e. clogged hose or clogged filter).
4. If a clogged hose or clogged filter is found, unclog the hose or replace the filters.
5. Wait at least 30 minutes before attempting to reuse the cleaner.
6. After 30 minute cool down period, plug the cleaner in and push the rocker switch to on position. The cleaner should turn on.
7. If the cleaner still does not operate, take it to any Eureka Authorized Service Center for repair.

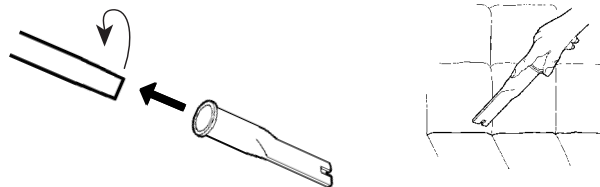
HOW TO USE THE ACCESSORIES

NOTE: Do not place cleaner on furniture or steps as the brush roll or drive wheel may cause damage. Place cleaner on floor with the handle in storage position while using accessories.

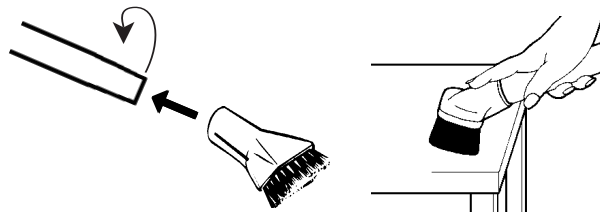
1. On the back of the vacuum, pull hose nozzle out of the lower hose retainer.
2. Grasp the hose near the upper hose retainer.
 - a. Be sure to leave the hose cradled in the upper hose retainer.
 - b. Leave hose strap in place on hose.
3. Pull and stretch hose down so hose strap (A) can be attached to the strap hook (B). Your cleaner will look like **PICTURE 1** below when completed correctly.
4. Place desired accessory onto end of the wand portion of the hose assembly or extension wand.
5. When you are through using the attachments, take the hose strap off the strap hook and replace the hose nozzle into the lower hose retainer.
6. Leave hose strap in place on hose for future use.



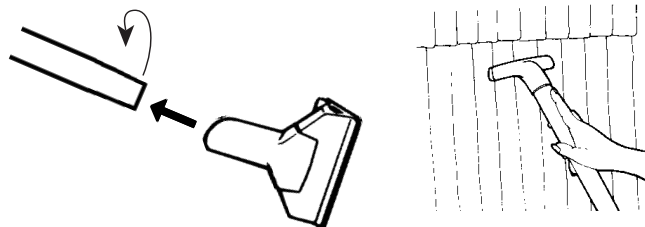
Crevice Tool cleans corners, baseboards, between cushions, sliding door tracks, etc.



Dusting Brush is for furniture, blinds, books, lamp shades, shelves, etc.

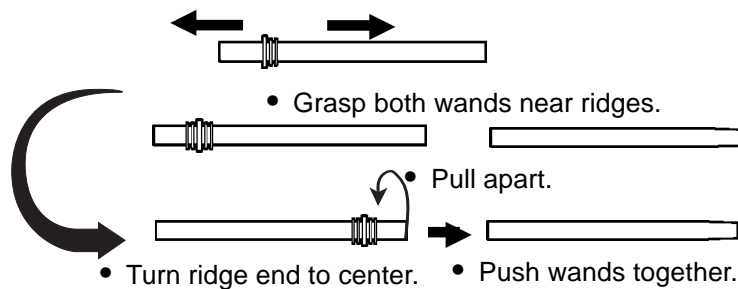


Upholstery Nozzle is for curtains, draperies, cushions, fabrics, etc.



Extension Wand

Nested Extension Wand to add reach.



PICTURE 1

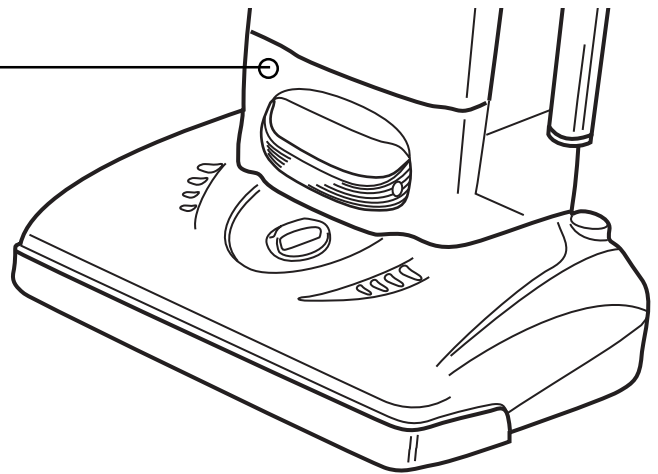
Maintenance of Dirt Alert Feature (On some models)

The dirt alert sensor uses infra-red technology to indicate whether or not floors are clean. When debris breaks the light beam, the red light comes on indicating additional cleaning is needed in this area. If there is no break in the light beam, the floor is clean and no light will come on.

When using your new vacuum you may be cleaning deep down hidden dirt missed by your old vacuum causing the light to stay red longer. With frequent cleaning, after the first few times you use your new Eureka vacuum, the red light should go on less.

NOTE: The dirt alert feature is not intended to be used for above the floor cleaning with attachments.

The **red** light indicates dirt, dust, etc. is still being removed from the area being cleaned.

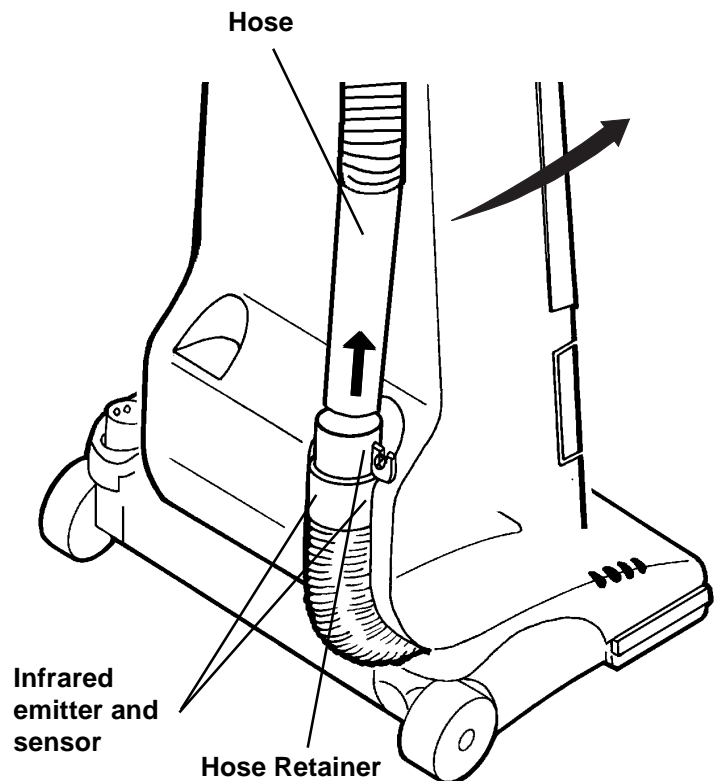


How to Check the Dirt Alert Sensors

To check if dirt sensor is working properly.

1. While the red light is on, tip the vacuum backwards on rear wheels, lifting the brush roll off the carpet a couple of inches.
2. After a few seconds the red light should turn off.

HINT: New carpeting has loose carpet fibers which will trip the red light sensor beam.



HOW TO MAINTAIN

The instructions in this booklet serve as a guide to routine maintenance. To avoid unnecessary service calls, check the cyclonic cassette, belt, and brush roll often.

Brush Roll

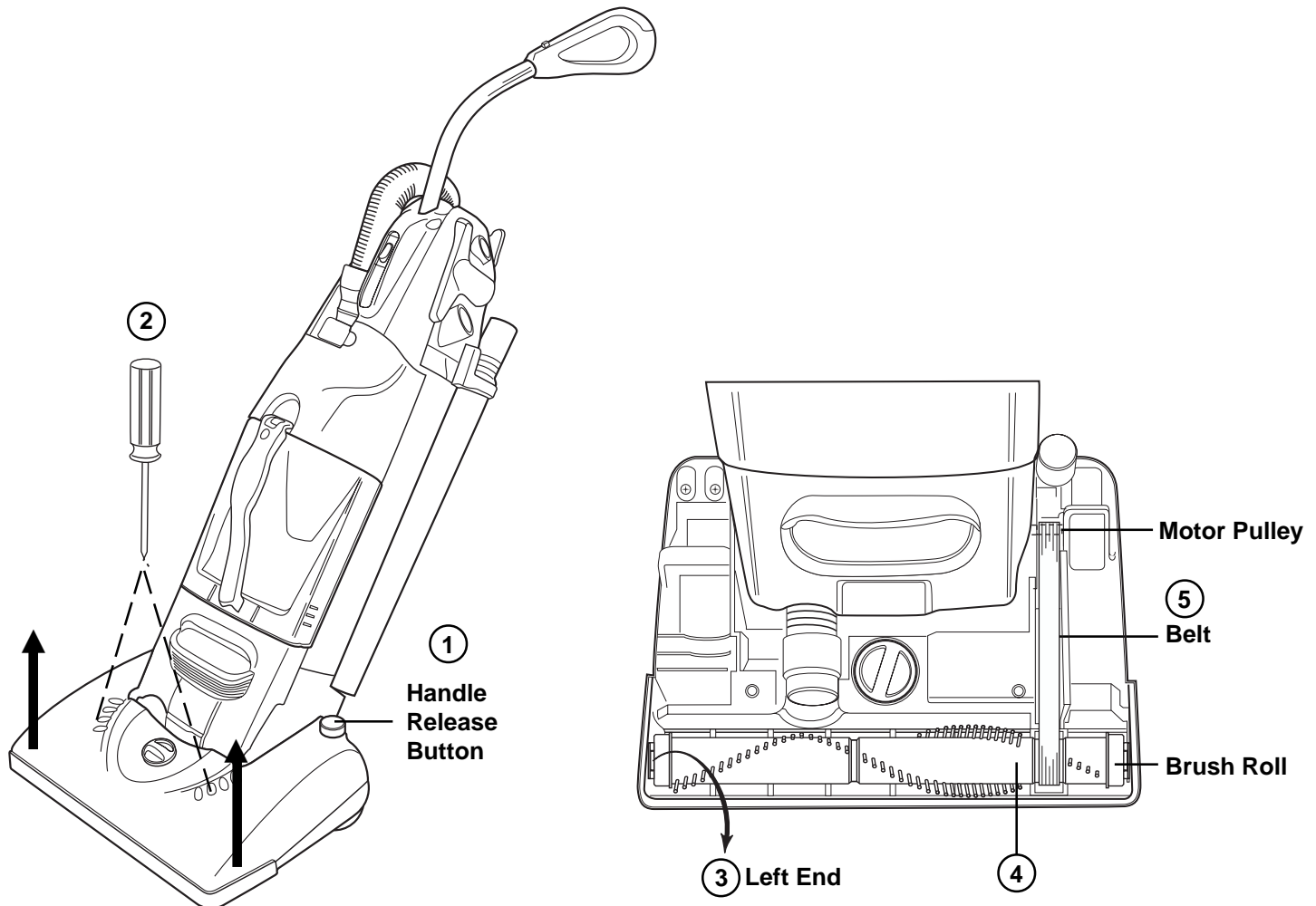
The brush roll turns as it sweeps and combs the carpet nap. Remove hair and threads from the brush roll so it continues brushing the carpet. To maintain the most efficient cleaning, the bristles must touch the carpet. To test the bristle length, hold a ruler against the underneath side of the cleaner. If the bristles no longer touch the ruler, replace the brush roll.

Brush Roll Belt

The brush roll belt turns the brush roll to agitate, sweep, and comb the carpet nap. Check the belt regularly to be sure it is in good condition. Replace the belt if it stretches, cracks or loses tension. Cut away any hair or threads wound around the brush roll or the belt pulley because the buildup could cause the belt to rotate unevenly.

How To Replace Brush Roll Belt

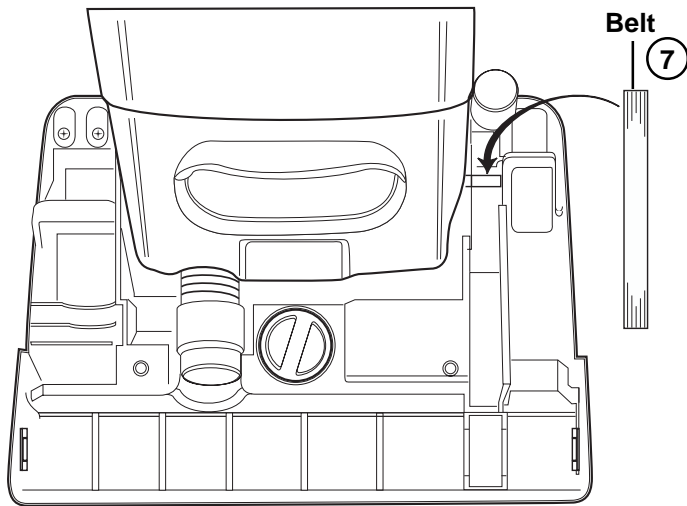
NOTE: Turn off the switch and unplug the electrical cord before replacing the brush roll belt. Belt pulleys can become hot during normal use. To prevent injury, avoid touching the motor pulley when checking the belt.



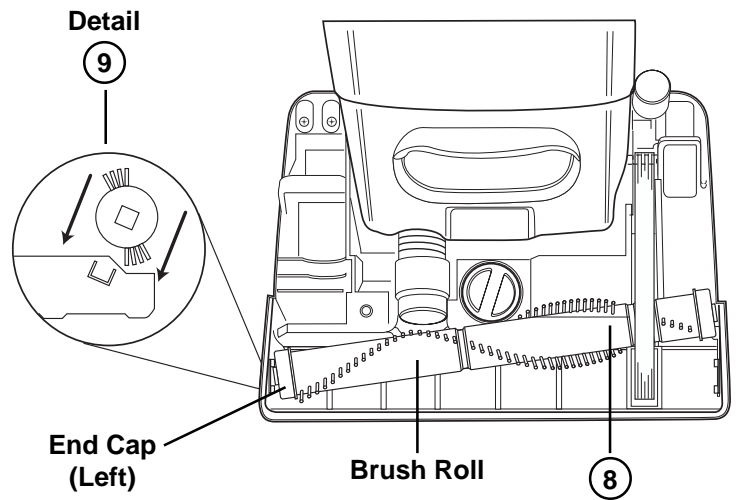
1. Release the cleaner by pressing down on the handle release button. This will allow the cleaner to lower itself to the floor.
2. Loosen, but do not remove, the two screws located on the top of the hood. Lift the hood upward, to remove.

3. Lift the left end of the brush roll upward.
4. Remove right end of brush roll upward and out.
5. Remove old belt from around brush roll and motor pulley.
6. Discard old belt.

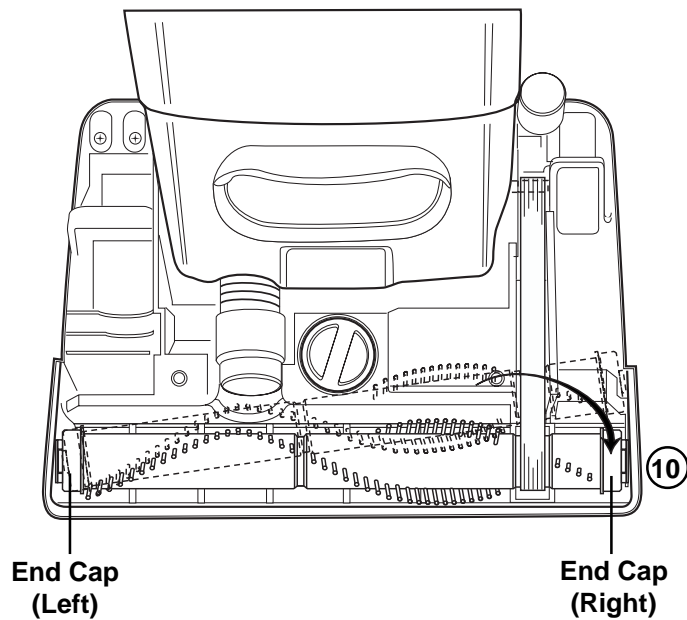
How To Replace Brush Roll Belt (continued)



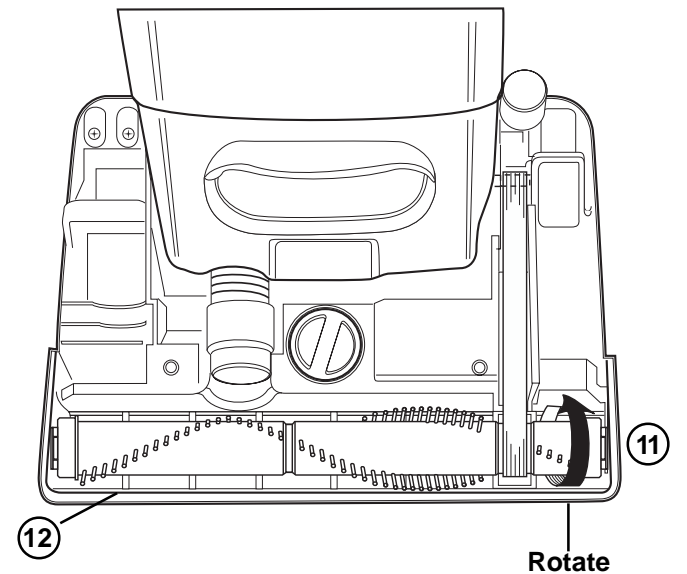
7. Place new belt around motor pulley.



8. Place belt around the right end of the brush roll.
9. Align left end cap of brush roll with **square** in base. See Detail 9. Slide end cap into place.



10. Pull right side of brush roll to stretch belt. Secure right end cap of brush roll into base.



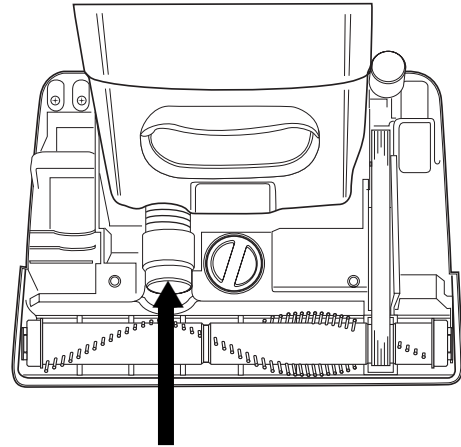
11. Rotate the brush roll at least three revolutions to seat the drive belt.
12. Replace the hood onto the cleaner. Make sure the front of the hood is behind the furniture guard.
13. Tighten screws.

Use **GENUINE EUREKA** replacement belt, 54312. Look for the **GENUINE EUREKA PRODUCT** symbol.

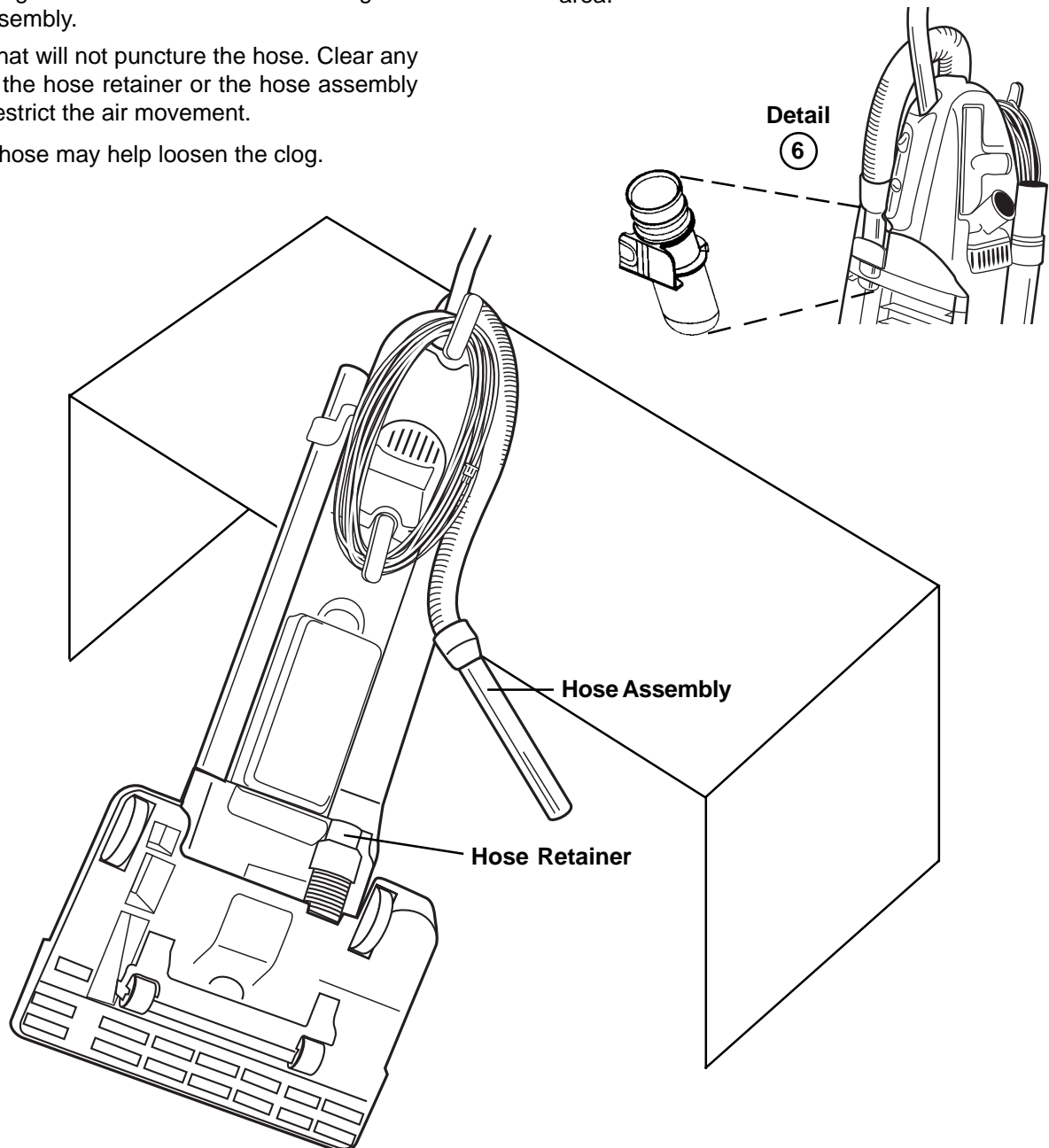
HOW TO CLEAR HOSE CLOGS

NOTE: Turn off the switch and unplug the electrical cord before clearing hose.

1. Remove the front bag cover.
2. Step on handle release.
3. Release the hose from the unit. See Detail 6. To release the hose, grasp the hose adapter at depression and rotate to the left to release. Pull upward to remove from unit.
4. Lower handle until the cleaner is resting flat on the floor.
5. Turn the cleaner over so the back side faces upward.
6. Lift the cleaner and rest it against a support or counter.
7. Pull upward on the attached wand portion of the hose assembly and remove from the hose retainer.
8. Check for clogs in the hose retainer and throughout the hose assembly.
9. Use a tool that will not puncture the hose. Clear any debris from the hose retainer or the hose assembly that could restrict the air movement.
10. Flexing the hose may help loosen the clog.



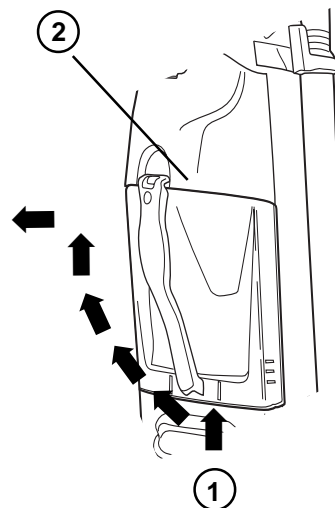
11. After removing the clog in the attachment hose assembly, also check the brush roll area. Remove the hood and clear the hose inlet in the brush roll area.



To Change Cassette Micron Filter:

NOTE: Turn off the switch and unplug the electrical cord before changing the Cassette Micron Filter. Never operate the vacuum cleaner without the cyclonic cassette or the filter.

Remove cyclonic cassette by pushing up lever (1), unhooking (2) by swinging outward from vacuum body. When replacing cyclonic cassette, hook at top where shown (2), and swing back into place until lever (1) snaps into place.



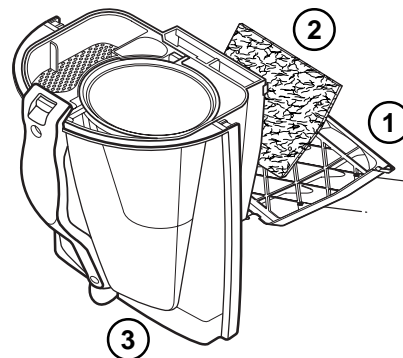
Check and clean the Cassette Micron Filter once a month to maintain good performance. The filter can be cleaned by vacuuming with another cleaner or brushing dust off into the trash. Recommended changing of the Cassette Micron Filter is once every three months.

To Change the Cassette Micron Filter:

1. Remove the filter frame by grasping the handle on the back of the filter frame and pulling firmly. The filter frame will drop down staying connected at the hinges on the bottom.
2. Remove old filter from filter frame and replace with a new filter.
3. Reconnect filter frame to cassette body by swinging filter frame up and pushing against cassette body until it snaps into place.

Use **GENUINE EUREKA** replacement filter, 60696. Look for the **GENUINE EUREKA** product symbol.

1. Filter Frame
2. Filter
3. Cassette Body



How To Empty Cyclonic Cassette

NOTE: Turn off the switch and unplug the electrical cord before emptying cyclonic cassette. Never operate the vacuum cleaner without the cyclonic cassette or the filter.

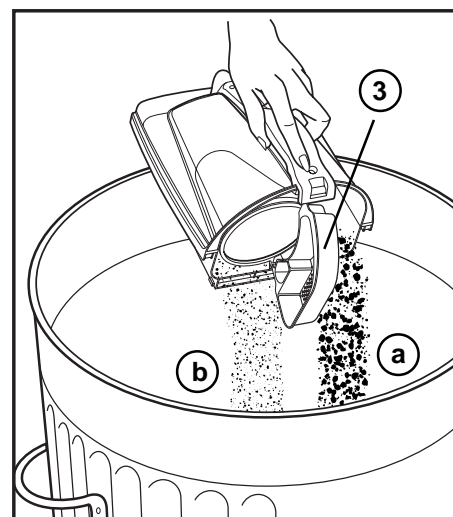
FOR INSTRUCTIONS ON HOW TO REMOVE THE CYCLONIC CASSETTE FROM THE CASSETTE BODY, SEE ABOVE.

Emptying the Cyclonic Cassette:

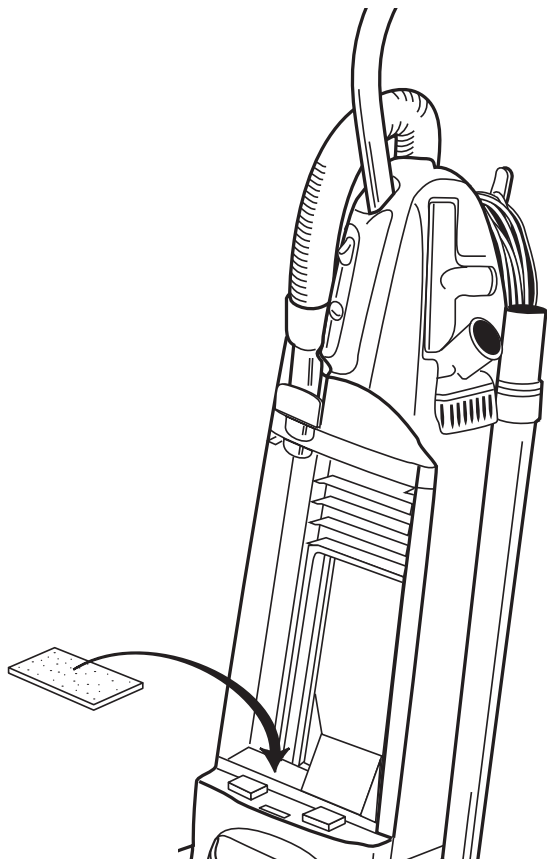
It is clearly visible when the dust compartment is full and needs emptying. Lift screen as shown (3) to completely empty cyclonic cassette. It is possible to clean out the cyclonic cassette by using another vacuum.

CAUTION: The cyclonic cassette can be washed in warm water, if desired, **but** strong detergents should not be used. Dry thoroughly before using again.

NOTE: The compartment with the screen (a) will fill much faster with larger dirt particles than the compartment with the cone (b). This is normal, empty the cyclonic cassette when the side with the screen is full, do not wait for the side with the cone to fill completely.



How To Replace Filters:



Motor Filter

Check the motor filter each time the cyclonic cassette is emptied. Cleaning the motor filter is recommended at this time.

To Clean Motor Filter

1. Remove the cyclonic cassette.
2. Remove filter from inside the cassette compartment (lower left side).
3. Shake filter to remove excess dust. If necessary, the filter can be cleaned by vacuuming with another cleaner.
4. Reinstall filter.
5. Replace the cyclonic cassette.

HEPA Filter (on selected models)

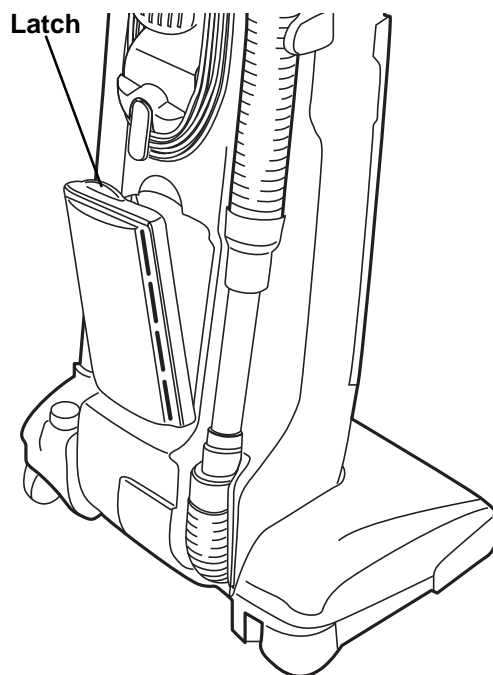
Check the HEPA filter each time the cyclonic cassette is emptied. Replace twice a year or after you have emptied the cassette 6 times.

To remove HEPA Filter

1. Push down latch and rotate the HEPA filter back.
2. Then lift the filter up to remove.

To replace HEPA Filter

1. Place bottom tabs of new filter into slots.
2. Rotate the HEPA filter toward cleaner.
3. Push upward on the latch to secure into place.



Obtain replacement filters from a local dealer or order them from The Eureka Company, Bloomington, IL.

MICRON Filter (on selected models)

Check the MICRON filter each time the cyclonic cassette is emptied.

To remove MICRON Filter

1. Push down latch and rotate the MICRON filter back.
2. Then lift the filter out of the filter housing to remove.

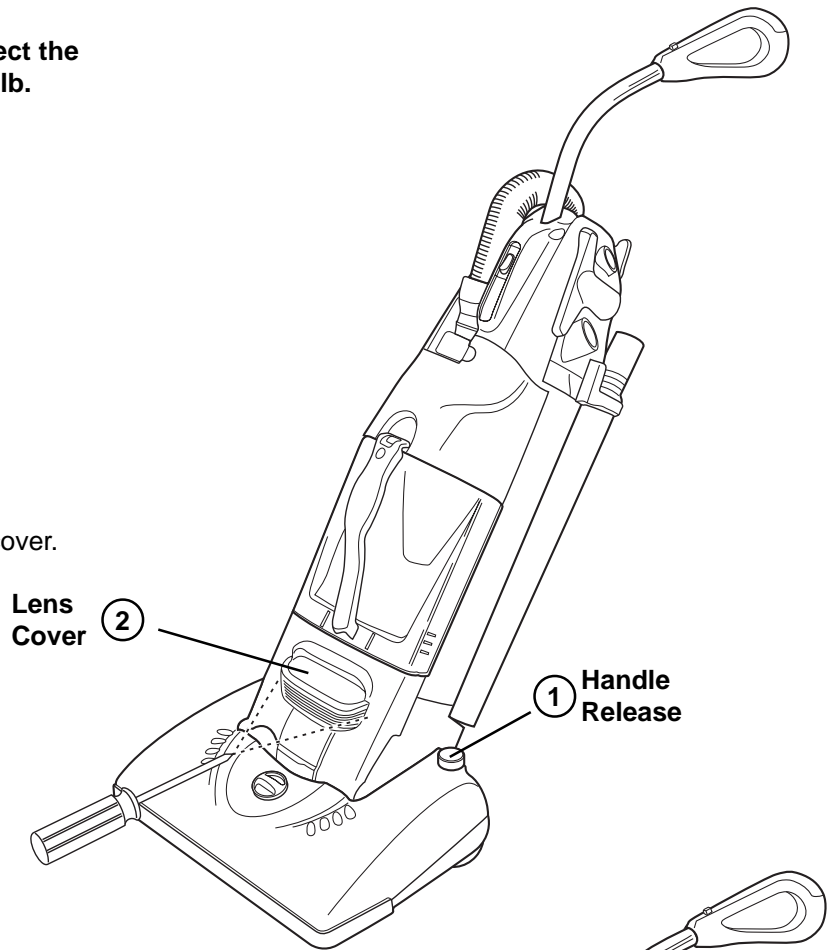
To replace MICRON Filter

1. Place new filter into filter housing then put bottom tabs of filter into slots.
2. Rotate the MICRON filter toward cleaner.
3. Push upward on the latch to secure into place.

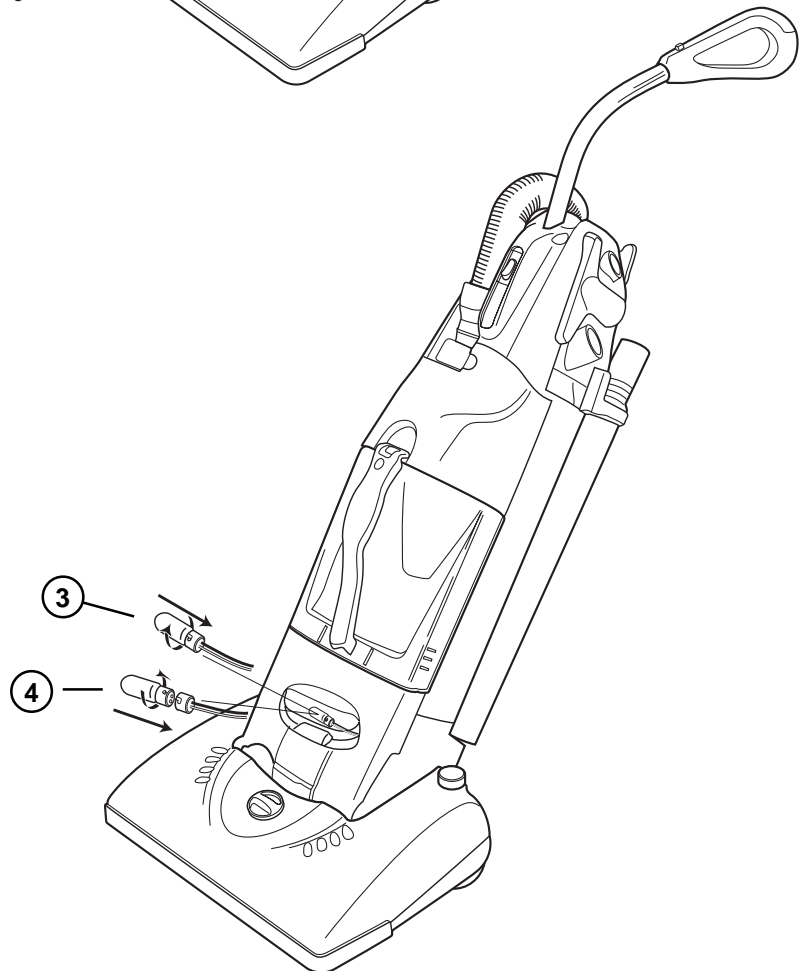
How to Change Light Bulb (only for models with a headlight)

NOTE: Turn off the power switch and disconnect the electrical cord before changing light bulb.

1. Lower handle to remove two screws from lens cover.
2. Lift lens cover from cleaner.



3. Push light bulb into socket; turn to release.
4. Place new light bulb into socket; turn to secure.
5. Make sure bulb will not touch lens cover.
6. Replace lens cover.
7. Secure with two screws.



Use 15 watt replacement light bulb, part number 48815.

PROBLEM SOLVING

NOTE: Turn off the switch and unplug the electrical cord before servicing.

PROBLEM	CAUSE	SOLUTION
Motor will not start.	<input checked="" type="checkbox"/> Electric Plug	<input type="checkbox"/> Push plug securely into outlet. <input type="checkbox"/> Try another outlet. <input type="checkbox"/> Check circuit breaker.
Motor suddenly stops.	<input checked="" type="checkbox"/> Thermal Cut Off	<input type="checkbox"/> Refer to page 7.
Does not clean the carpet or floor.	<input checked="" type="checkbox"/> Filters <input checked="" type="checkbox"/> Cyclonic Cassette <input checked="" type="checkbox"/> Belt <input checked="" type="checkbox"/> Belt Cap <input checked="" type="checkbox"/> Brush Roll <input checked="" type="checkbox"/> Hose	<input type="checkbox"/> Clean or replace the filter(s). Hint: If picking up fine dust, the filter may <u>not</u> look dirty but a fine substance tends to reduce suction when it blocks the airflow through the filter(s). <input type="checkbox"/> Be sure hose adapter inserts into cyclonic cassette. <input type="checkbox"/> Be sure the cyclonic cassette is properly seated into the cassette body. See page 13. <input type="checkbox"/> Empty cyclonic cassette. Note: There are two chambers in the cyclonic cassette. The chamber with the screen will fill much faster than the chamber with the cone. This is normal, when the chamber with the screen is full, empty cyclonic cassette, do not wait till the chamber with the cone is full. See page 13. <input type="checkbox"/> Replace a cut, loose or out of shape belt. <input type="checkbox"/> Snap the belt cap inside the hood if it comes loose. <input type="checkbox"/> Clean hair and thread from bristles and end cap area. Replace brush roll if bristles are worn. <input type="checkbox"/> Remove any clogs from the hose that restrict the airflow. Check short hose in the base and long hose. Refer to page 12.
No suction at the end of the hose.	<input checked="" type="checkbox"/> Hose Adapter <input checked="" type="checkbox"/> Filter(s) <input checked="" type="checkbox"/> Hose	<input type="checkbox"/> Hose adapter has to seat inside the cyclonic cassette. Hint: Put the hose in place before attaching the handle. The handle secures the hose. <input type="checkbox"/> Clean or replace the filter(s). Hint: If picking up fine dust, the filter may <u>not</u> look dirty, but a fine substance tends to reduce suction when it blocks the airflow through the filter(s). <input type="checkbox"/> Remove any clogs from the hose that restrict the airflow. Check short hose in the base and long hose. Refer to page 12.
Headlight not working.	<input checked="" type="checkbox"/> Light Bulb	<input type="checkbox"/> Replace light bulb.
Noise from the brush roll area.	<input checked="" type="checkbox"/> Brush Roll <input checked="" type="checkbox"/> Belt	<input type="checkbox"/> Remove hood and clean debris or items from the brush roll area. <input type="checkbox"/> Replace a cut, loose or out of shape belt.
Cleaner is hard to push.	<input checked="" type="checkbox"/> Cleaner Height Setting <input checked="" type="checkbox"/> Manual Lock <input checked="" type="checkbox"/> Belt	<input type="checkbox"/> Put handle in operating position. Tilt the cleaner back to raise the front wheels off floor. Then turn the knob to a higher setting. <input type="checkbox"/> Be sure manual lock is disengaged and free to slide. <input type="checkbox"/> Replace a cut, loose or out of shape belt.
Cleaner height knob will not turn.	<input checked="" type="checkbox"/> Cleaner Height Setting	<input type="checkbox"/> Hint: Put handle in operating position. Tilt the cleaner back to raise the front wheels off floor. Then turn the knob.
Dirt Alert red light will not go off.	<input checked="" type="checkbox"/> New carpet fibers.	<input type="checkbox"/> Over time loose new carpet fibers will diminish and will not trip the dirt alert sensors.
Dirt Alert red light will not come on.	<input checked="" type="checkbox"/> Dirt sensor is not working.	<input type="checkbox"/> Call 1-800-282-2886 7 a.m. to 8 p.m. Central Standard Time, Monday through Saturday for the nearest authorized Eureka service center.

S
O
L
D
T
O

Name			
Address (street address needed for UPS)			
City	State	Zip	
Telephone (Day)	(Eve)	(Fax)	

S
H
I
P
T
O

Name			
Address (street address needed for UPS)			
City	State	Zip	
Telephone (Day)	(Eve)	(Fax)	

IMPORTANT:

Be sure to include your model, type, and serial numbers. These numbers may be found on the rating plate.

Model Number: _____

Type: _____

Serial Number: _____

To Order



By Phone

1-800-438-7352*

HOURS:

Call between 8 a.m. and 4:45 p.m., central standard time Monday through Friday.

By FAX

1-309-823-5789

To Answer Problems or Questions for U.S.A. and Canada call:

1-800-282-2886*

7 a.m. to 8 p.m. central standard time Monday through Saturday.

*En Mexico llame al **5670-6169**

By Mail



Simply fill out this Order Form. Please be sure to include day and evening phone numbers.

www.eureka.com

	Part No.	Qty.	Price (USD)	Total
Genuine Eureka Bags, Belts and Filters				
	Filteraire Disposable Bags (style AA) - package of 3	58623A	5.99	
	Disposable Bags (style AA) - package of 3	58236A	3.99	
	Disposable Bags (style AA) - package of 10	54926	9.99	
	Belts (style U) - Extended Life - package of 2	61120	2.99	
	Motor Filter - package of 2	61333	1.99	
	HEPA Filter Cartridge	60285B	19.99	
	HEPA Filter Insert (back - style HF3) - package of 2	61500	5.99	
	Micron Filter Insert (back) - package of 2	60801	4.99	
	Micron Filter (side door) - package of 2	60665	2.99	
	HEPA Filter (side door - style HF4) - package of 3	61505	9.99	
	Cassette Filter (5190 series only) - package of 2	60696	3.99	
Accessories/Tools				
	Nestled Wands	58728B	4.39	
	Extension Wand	13104-4	2.49	
	Combination Tool	61037	4.49	
	Crevice Tool	27237-3	2.69	
	Upholstery Nozzle	38284-3	3.29	
	Dusting Brush	54505-3	5.19	
	Floor Brush	54785A	10.39	
	Micro Tool Set for Keyboards	54002	12.99	
Hoses				
	Deluxe Stretch Hose	60169-7	15.69	
	Stretch Hose	54646A-3	7.79	
	Stair Hose - 15 foot	60166	29.99	
Brush Roll				
	Wood - 15 inch	61308-2	12.59	
Miscellaneous Parts				
	Light Bulb	48815	1.69	
	Dust Cup (5190 series only)	60706-2	26.79	

Method of payment (no C.O.D. orders)

- Check or money order** (payable to **The Eureka Company**). Do not send currency.
 Charge to my **Visa** (13/15 digits) **MasterCard** (13 digits) **Amer. Express** (15 digits)

Acct. number	Expiration Date
--------------	-----------------

Signature (full name as shown on acct.) _____

Total (prices subject to change without notice)	
Tax (add state tax & local taxes as required by law)	
Postage & Handling Charge (within U.S.A.)	5.50
TOTAL	
TOTAL ENCLOSED	

THE EUREKA LIMITED WARRANTY

What This Warranty Covers

Your Eureka cleaner is warranted to be free from all defects in material and workmanship in normal household use for a period of one year. The warranty is granted only to the original purchaser and members of his or her immediate household. The warranty is subject to the following provisions.

What This Warranty Does Not Cover

- Parts of the cleaner that require replacement under normal use, such as disposable dust bags, filters, drive belts, light bulbs, and brush roll bristles
- Damages or malfunctions caused by negligence, abuse, or use not in accordance with the Owner's Guide.
- Defects or damages caused by unauthorized service or the use of other than Genuine Eureka parts.

What The Eureka Company Will Do

The Eureka Company will, at its option, repair or replace a defective cleaner or cleaner part that is covered by this warranty. As a matter of warranty policy, the Eureka Company will not refund the consumer's purchase price.

Warranty Registration

Please fill out and return the warranty registration card accompanying your cleaner.

Obtaining Warranty Service

To obtain warranty service you must return the defective cleaner or cleaner part along with proof of purchase to any Eureka Authorized Warranty Station. You will find the nearest location in the Yellow Pages, under "Vacuum Cleaners—Service and Repair." Be certain that the Warranty Station is "Eureka Authorized." For the location of the nearest Eureka Authorized Warranty Station or for service information, telephone toll free:

USA: 1-800-282-2886

Mexico: 5670-6169

Canada: 1-800-282-2886

If you prefer, you can write to The Eureka Company, Service Division, 807 North Main Street, Bloomington, Illinois 61701, USA. In Canada write to The Eureka Company, 866 Lings Drive, Cambridge, Ontario N3H 2N7.

If it is necessary to ship the cleaner outside your community to obtain warranty repair, you must pay the shipping charges to the Eureka Authorized Warranty Station. Return shipping charges will be paid by the Warranty Station. When returning parts for repair, please include the model, type, and serial number from the data plate on the cleaner.

Further Limitations and Exclusions

Any warranty that may be implied in connection with your purchase or use of the cleaner, including any warranty of Merchantability or any warranty for Fitness For A Particular Purpose is limited to the duration of this warranty. Some states do not allow limitations on how long an implied warranty lasts, so the above limitations may not apply to you.

Your relief for the breach of this warranty is limited to the relief expressly provided above. In no event shall Eureka be liable for any consequential or incidental damages you may incur in connection with your purchase or use of the cleaner. Some states do not allow the exclusion or limitation of incidental or consequential damages, so the above limitation or exclusion may not apply to you.

This warranty gives you specific legal rights. You may also have other rights which vary by state.



Questions & Answers about Genuine Eureka Products

Q: Why should I use only Genuine Eureka paper bags, belts, and parts in my Eureka vacuum cleaner?

A: Using Genuine Eureka Products, which are made to our exacting specifications and engineered with emphasis on quality, performance, and customer satisfaction, ensures the long life and cleaning efficiency of your vacuum cleaner. Overall, this saves you money and helps to keep your home clean.

Q: How can I be sure I am using only genuine Eureka products in my vacuum cleaner?

A: Typically, packaged products and paper bags can be identified by a "Genuine Eureka Product" symbol (see illustration above). For further identification assistance, you may call our toll-free number, 1-800-282-2886, for the location of a nearby Eureka Authorized Warranty Station.

Q: Are there any differences between "made to fit" or "imitation" and Genuine Eureka paper bags, belts, and parts?

A: Yes, there are some very important differences in materials, quality, and reliability. Many customers have mistakenly purchased "imitation" paper bags and parts while thinking they purchased genuine. Unfortunately, many of these customers discovered the differences after they experienced related difficulties.

For Genuine Eureka Value, Accept No Imitations!

THE EUREKA COMPANY

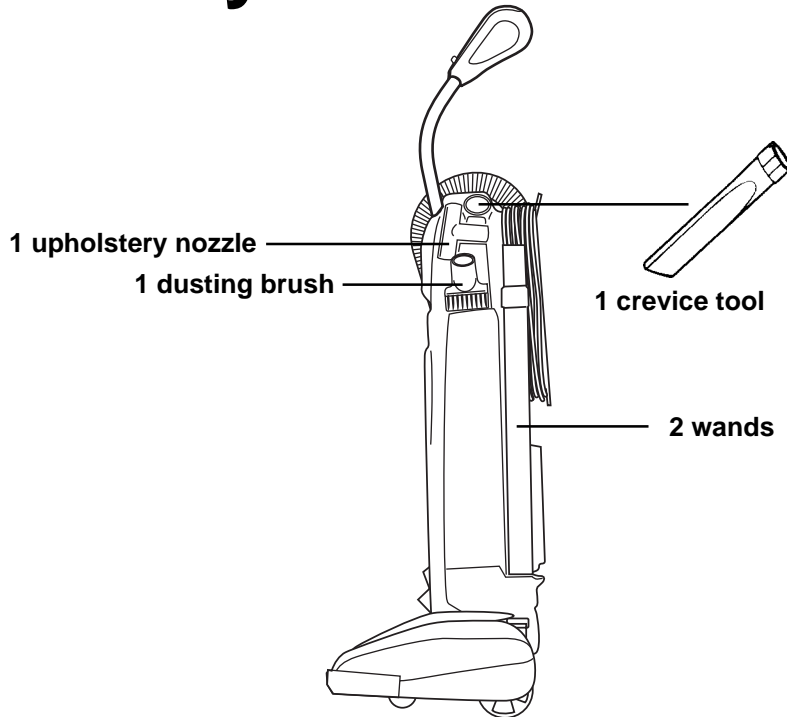
Bloomington, Illinois 61701

Household Warranty
abs 190

Questions? Do Not Return To Store Call 1-800-282-2886

7 a.m. to 8 p.m., Central Standard Time, Monday through Saturday

Accessory Items in This Carton



Thank you for selecting a Eureka cleaner.

Don't Forget to Use Genuine Eureka Belts and Filters

Caution: Damages caused by the use of non-genuine Eureka bags are not covered by the Eureka Limited Warranty.

Free Manuals Download Website

<http://myh66.com>

<http://usermanuals.us>

<http://www.somanuals.com>

<http://www.4manuals.cc>

<http://www.manual-lib.com>

<http://www.404manual.com>

<http://www.luxmanual.com>

<http://aubethermostatmanual.com>

Golf course search by state

<http://golfingnear.com>

Email search by domain

<http://emailbydomain.com>

Auto manuals search

<http://auto.somanuals.com>

TV manuals search

<http://tv.somanuals.com>