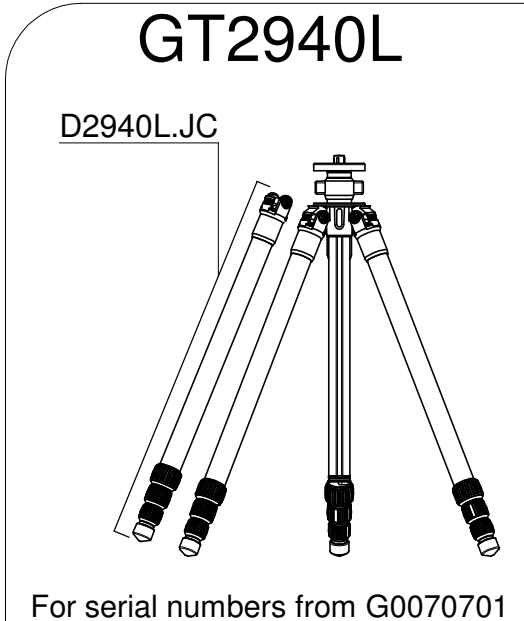


- | | | | |
|-----------------------------------|--------------------------------------|----------------------------------|----------------------------|
| A | B | C | D |
| D02.JG2
complete tripod | D1220.25JP
complete tripod | D03.JS
complete tripod | D1297.FJ
one leg |
| | | | |



Free Manuals Download Website

<http://myh66.com>

<http://usermanuals.us>

<http://www.somanuals.com>

<http://www.4manuals.cc>

<http://www.manual-lib.com>

<http://www.404manual.com>

<http://www.luxmanual.com>

<http://aubethermostatmanual.com>

Golf course search by state

<http://golfingnear.com>

Email search by domain

<http://emailbydomain.com>

Auto manuals search

<http://auto.somanuals.com>

TV manuals search

<http://tv.somanuals.com>