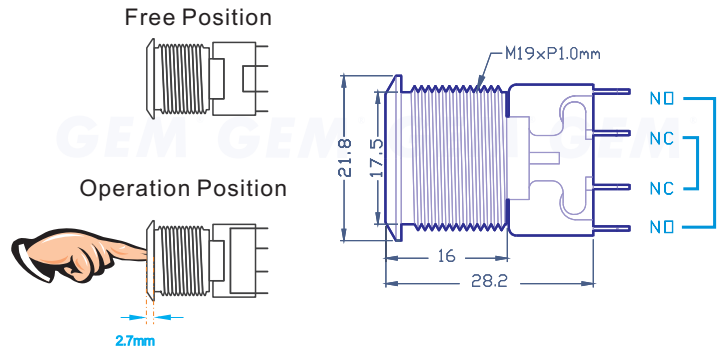




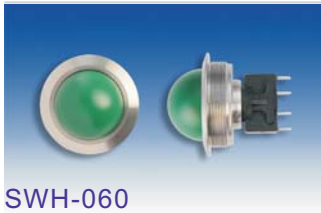
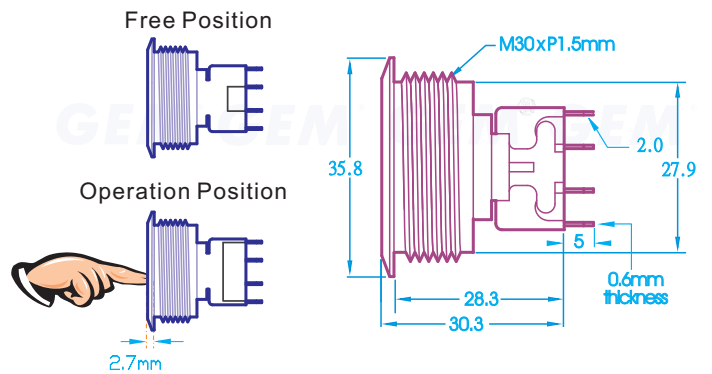
SWH-040

Max. Ratings : 5A@125/250 Vac
 Type of actuation: Momentary
 Contact arrangement: Double pole double throw
 Operating travel: 2.7 mm
 Operating temp. Range: -20~+70C
 Contact resistance: 50 mΩ Max.(initial)
 Operating life(Mechanical) : Over 100,000 times
 Materials: Stainless steel



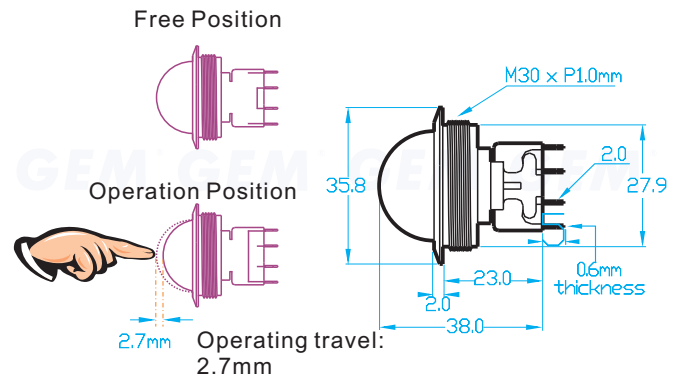
SWH-050

Max. Ratings : 5A@125/250 Vac
 Type of actuation: Momentary
 Contact arrangement: Double pole double throw
 Operating travel: 2.7 mm
 Operating temp. Range: -20~+70C
 Contact resistance: 50 mΩ Max.(initial)
 Operating life(Mechanical) : Over 100,000 times
 Materials: Stainless steel



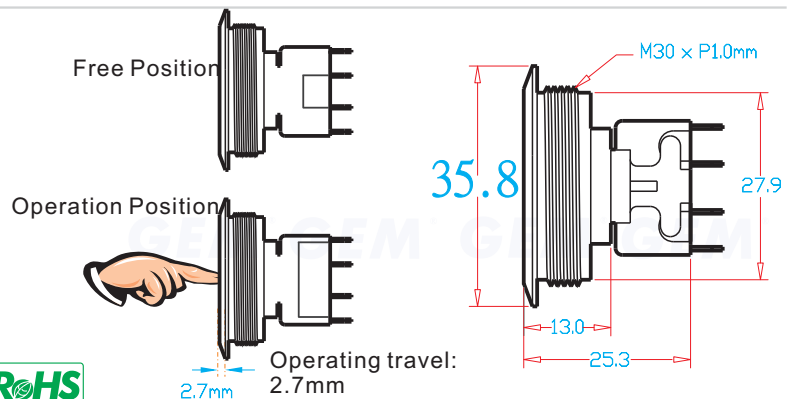
SWH-060

Max. Ratings : 5A@125/250 Vac
 Type of actuation: Momentary
 Contact arrangement: Double pole double throw
 Operating travel: 2.7 mm
 Operating temp. Range: -20~+70C
 Contact resistance: 50 mΩ Max.(initial)
 Operating life(Mechanical) : Over 100,000 times
 Materials(Button): Zinc alloy



SWH-070

Max. Ratings : 5A@125/250 Vac
 Type of actuation: Momentary
 Contact arrangement: Double pole double throw
 Operating travel: 2.7 mm
 Operating temp. Range: -20~+70C
 Contact resistance: 50 mΩ Max.(initial)
 Operating life(Mechanical) : Over 100,000 times
 Materials: Stainless steel



GIANNI INDUSTRIES, INC.

No. 13, Zhong Sing Road, Tu-Cheng Industrial Zone,
 Tu-Cheng City, Taipei, Taiwan 23678
 Tel: 886-2 2267 7986 / Fax: 886-2 2267 9876
 E-Mail: info@gianni.com.tw
 Website: gianni.tw
 Copyright 2008 Gianni industries, inc. All rights reserved.
 DM-CA-PBT-Switch Ver. C Published on 2008.07.17



The products are manufactured under an ISO 9001 & QC 080000 Certified Quality Management Program environment back its product quality, performance and commitment to customer satisfaction.

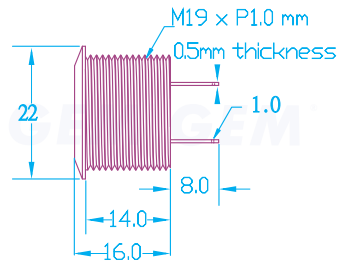


MSW-1901-EXIT
MSW-2501-EXIT

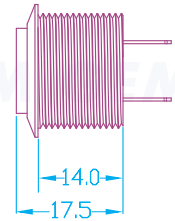


MSW-1902-EXIT
MSW-2502-EXIT

Max. Ratings : 5mA@12Vdc
Type of actuation: Momentary
Contact arrangement: Single pole single throw (N.O.)
Operating travel: 1.75mm
Operating temp. Range: -20~+70C
Contact resistance: 1kΩ Max.(initial)
Operating life(5mA 5Vdc) : Over 100,000 times
Materials: Stainless steel



MSW-1901-EXIT
MSW-2501-EXIT

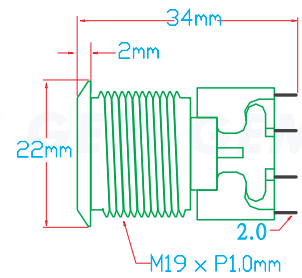
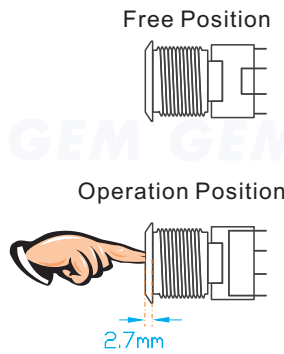


MSW-1902-EXIT
MSW-2502-EXIT



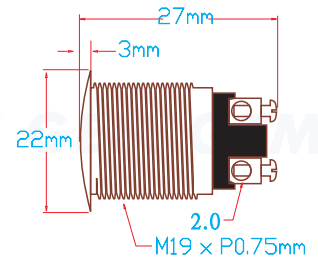
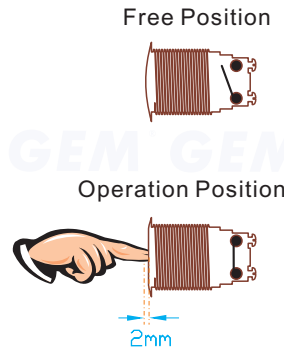
S-SI-PBT-4-GEM

Max. Ratings : 5A@125/250 Vac
Type of actuation: Momentary
Contact arrangement: Double pole double throw
Operating travel: 2.7 mm
Operating temp. Range: -20~+70C
Contact resistance: 50 mΩ Max.(initial)
Operating life(Mechanical) : Over 100,000 times
Materials: Stainless steel



SWH-CN020

Max. Ratings : 3A@125V AC, 6A@24V DC
Type of actuation: Momentary
Contact arrangement: normal open (N.O.)
Operating travel: 2.0 mm
Operating temp. Range: -20~+70C
Contact resistance: 50 mΩ Max.(initial)
Operating life(Mechanical) : Over 100,000 times
Materials : Copper alloys

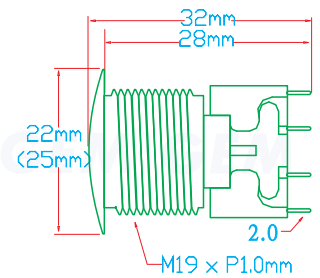
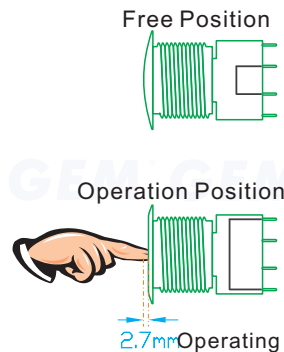


SWH-1922



SWH-1925

Max. Ratings : 5A@125/250 Vac
Type of actuation: Momentary
Contact arrangement: Double pole double throw
Operating travel: 2.7 mm
Operating temp. Range: -20~+70C
Contact resistance: 50 mΩ Max.(initial)
Operating life(Mechanical) : Over 100,000 times
Materials: Stainless steel



Operating travel: 2.7mm

GIANNI INDUSTRIES, INC.



No. 13, Zhong Sing Road, Tu-Cheng Industrial Zone,
Tu-Cheng City, Taipei, Taiwan 23678
Tel: 886-2 2267 7986 / Fax: 886-2 2267 9876
E-Mail: info@gianni.com.tw
Website: gianni.tw
Copyright 2008 Gianni industries, inc. All rights reserved.
DM-CA-PBT-Switch Ver. C Published on 2008.07.17



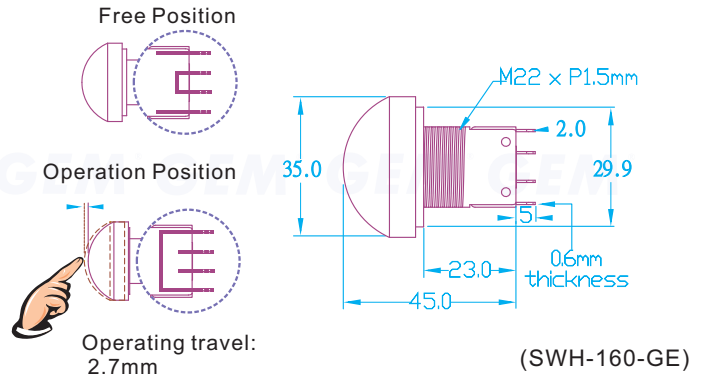
The products are manufactured under an ISO 9001 & QC 080000 Certified Quality Management Program environment back its product quality, performance and commitment to customer satisfaction.



SWH-160-GE

SWH-160-RE

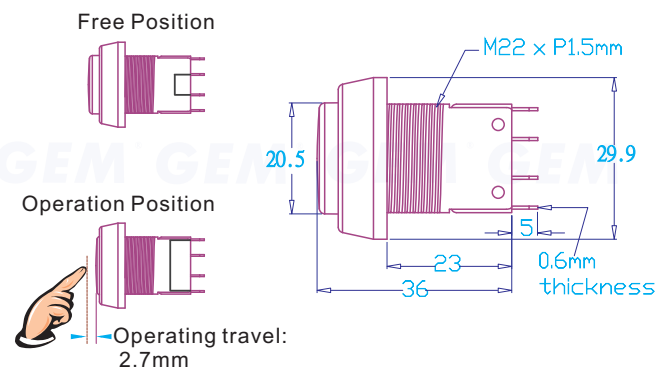
Max. Ratings : 5A@125/250 Vac
 Type of actuation: Momentary
 Contact arrangement: Double pole double throw
 Operating travel: 2.7mm
 Operating temp. Range: -20~+70C
 Contact resistance: 50mΩ Max.(initial)
 Operating life(Mechanical) : Over 100,000 times
 Materials: Zinc alloy



SWH-190-GE

SWH-190-RE

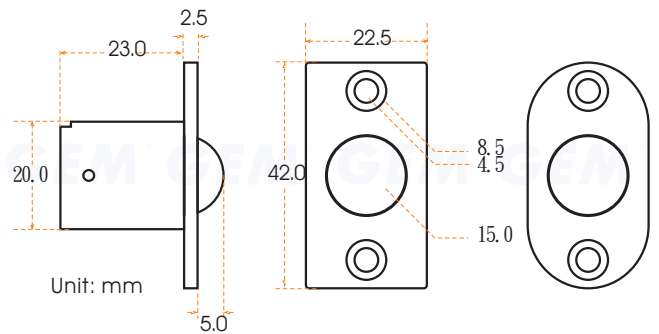
Max. Ratings : 5A@125/250 Vac
 Type of actuation: Momentary
 Contact arrangement: Double pole double throw
 Operating travel: 2.7mm
 Operating temp. Range: -20~+70C
 Contact resistance: 50mΩ Max.(initial)
 Operating life(Mechanical) : Over 100,000 times
 Materials: PVC



SWH-10400

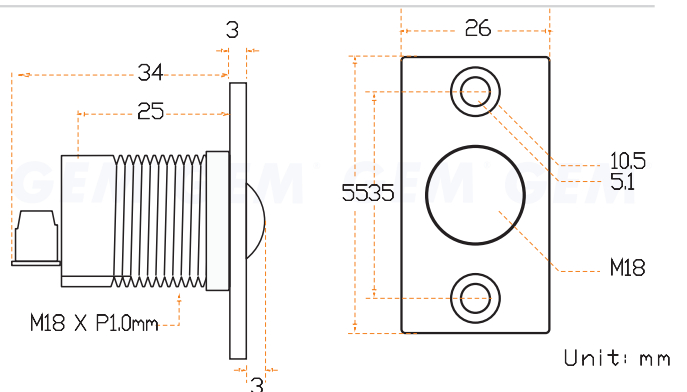
SWH-10500

Switch Ratings : 1.5A, 250V
 or 1A, 125~250VAC
 Type of Actuation: Momentary
 Contact Arrangement: N.O. / N.C. / Com.
 (Green: Com. / Brown: N.O. / White: N.C.)
 Cable : 4 Meters (SWH-10400)
 Lead Wire: 15cm (SWH-10415)
 Switch Approvals: ENEC, UL, CSA



SWH-10405

Max. Ratings : 3A@125/250 Vac
 Position bolt
 Type of actuation: Momentary
 Contact arrangement: SPDT
 Operating travel: 2.7mm
 Materials: Stainless steel, Copper alloys



GIANNI INDUSTRIES, INC.

No. 13, Zhong Sing Road, Tu-Cheng Industrial Zone,
 Tu-Cheng City, Taipei, Taiwan 23678
 Tel: 886-2 2267 7986 / Fax: 886-2 2267 9876
 E-Mail: info@gianni.com.tw
 Website: gianni.tw
 Copyright 2008 Gianni industries, inc. All rights reserved.
 DM-CA-PBT-Switch Ver. C Published on 2008.07.17



The products are manufactured under an ISO 9001 & QC 080000 Certified Quality Management Program environment back its product quality, performance and commitment to customer satisfaction.



SWH-250-GE
(Faceplate 50 mm)

SWH-260-GE
(Faceplate 60 mm)



SWH-251-GE
(Faceplate 50 mm)

SWH-261-GE
(Faceplate 60 mm)



SWH-250-BL
(Faceplate 50 mm)

SWH-260-BL
(Faceplate 60 mm)



SWH-251-BL
(Faceplate 50 mm)

SWH-261-BL
(Faceplate 60 mm)



SWH-250-RE
(Faceplate 50 mm)

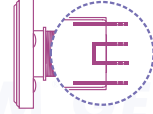
SWH-260-RE
(Faceplate 60 mm)



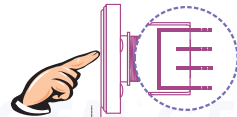
SWH-251-RE
(Faceplate 50 mm)

SWH-261-RE
(Faceplate 60 mm)

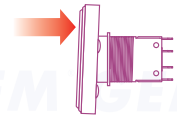
Free Position



Operation Position

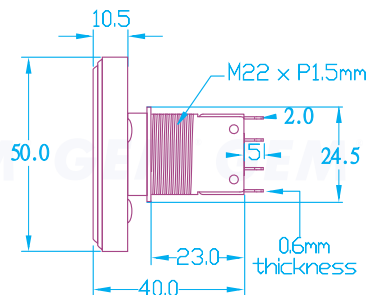


Operating travel:
2.7mm

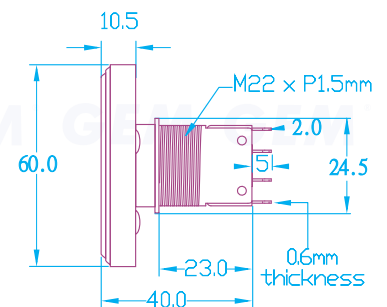


You can use the pushbutton at any angle.

Switch Ratings : 5A@125 Vac
Type of Actuation: Momentary
Contact Arrangement: Double pole double throw
Operating travel: 2.7mm
Operating temp. Range: -20~+70C
Contact resistance: 50mΩ Max.(initial)
Operating life(Mechanical) : Over 100,000 times
Materials: Zinc alloy



(SWH-250)



(SWH-260)



GIANNI INDUSTRIES, INC.

No. 13, Zhong Sing Road, Tu-Cheng Industrial Zone,
Tu-Cheng City, Taipei, Taiwan 23678
Tel: 886-2 2267 7986 / Fax: 886-2 2267 9876
E-Mail: info@gianni.com.tw
Website: gianni.tw
Copyright 2008 Gianni industries, inc. All rights reserved.
DM-CA-PBT-Switch Ver. C Published on 2008.07.17



The products are manufactured under an ISO 9001 & QC 080000 Certified Quality Management Program environment back its product quality, performance and commitment to customer satisfaction.

Free Manuals Download Website

<http://myh66.com>

<http://usermanuals.us>

<http://www.somanuals.com>

<http://www.4manuals.cc>

<http://www.manual-lib.com>

<http://www.404manual.com>

<http://www.luxmanual.com>

<http://aubethermostatmanual.com>

Golf course search by state

<http://golfingnear.com>

Email search by domain

<http://emailbydomain.com>

Auto manuals search

<http://auto.somanuals.com>

TV manuals search

<http://tv.somanuals.com>