

ego 4000 PLUS

OPERATION MANUAL



CD/MP3/AM/FM Travel Clock Radio
with Detachable Speakers

eton



DO YOU NEED HELP?

Here's how to contact us:

- From the United States: (800) 872-2228
- From Canada: (800) 637-1648
- From Everywhere Else: (650) 903-3866
- Email: customersvc@etoncorp.com
- Internet: www.etoncorp.com

TABLE OF CONTENTS

1	CONTENTS.....	3		
2	FEATURES.....	4		
3	INTRODUCTION	6		
	• Location of Controls	6		
	• LCD Display.....	8		
4	INSTALLATION AND CONNECTIONS	10		
	• Connecting Speakers	10		
	• Connecting Headphones	10		
5	POWERING THE UNIT	11		
	• Using Batteries	11		
	• Using AC/DC Adapter	11		
6	OPERATING INSTRUCTIONS	12		
	• CD/MP3 OPERATION.....	12		
	- Loading Discs	12		
	- Playing Discs	12		
	- Electronic Shock Protection (ESP).....	12		
	- Adjusting Volume	13		
	- Equalizer (EQ)	13		
	- Pausing Playback	13		
	- Stopping Playback	13		
	- Skip Search	13		
	- Specifying Tracks	14		
	- Repeat Play.....	14		
	- Intro Scan	14		
	- Shuffle Play	15		
	- Programmed Play	15		
	• AM/FM TUNER OPERATION	16		
	- Listening to the Radio	16		
	- Storing Station Memories	17		
	- Retrieving Station Memories	17		
	• CLOCK/ALARM OPERATION	18		
	- Setting Local Time	18		
	- Setting World Time	18		
	- Selecting Hour Mode	18		
	- Setting Alarm Time	19		
	- Activating/Deactivating Alarm	19		
	- Selecting Alarm Mode	20		
	- Viewing Alarm Setting	20		
	- Snooze Mode	20		
7	OTHER FEATURES	21		
	• Backlight	21		
	• Sleep Mode	21		
	• Bass Settings	21		
8	TROUBLE SHOOTING	22		
9	CARE AND MAINTENANCE.....	23		
	• CD/MP3 Disc Care Tips	23		
10	IMPORTANT SAFETY INSTRUCTIONS	24		
11	SPECIFICATIONS	25		
12	SERVICE INFORMATION	26		
13	ONE YEAR LIMITED WARRANTY	27		

2 FEATURES

THE EGO 4000 PLUS CD/MP3/AM/FM TRAVEL CLOCK RADIO HAS THE FOLLOWING MAIN FEATURES:

CD/MP3 PLAYER:


- **Electronic Skip Protection (ESP)** – saves 40 seconds of CD data and 120 seconds MP3 data for uninterrupted play even when the player is exposed to shocks or vibration
- **MP3 ID Tag Display** – displays the name of the artist and track recorded on MP3 discs
- **Programmable Play** – program and play up to 99 tracks in any sequence you choose
- **Repeat Play** – automatically repeat a single track, a directory (for MP3), or an entire disc
- **Intro Scan** – locate or preview tracks by automatically playing the first 10 seconds of every track
- **Shuffle Play** – play the tracks on a CD/MP3 in random
- **EQ** – choose between DBB, POP, JAZZ, CLASSIC, DISCO or NORMAL audio effects to suit your style or music
- **Skip Search** – quickly locate and play any track on a CD/MP3 discs
- **Audible Search** – locate a particular section of a track by rapidly playing
- **Pause and Cue** – temporarily stop play, or cue a track for play at a latter time
- **Auto Shut Off** – automatically stops the player to help reserve battery power
- **3-Inch Disc Compatible** – play 3-inch CD/MP3 discs
- **CD-R/CD-RW Compatible** – play CD-R and CD-RW discs
- **AM/FM Tuner**
- **FM/AM Station Presets** – store up to 20 FM and 10 AM radio stations in memory, so you can quickly locate favorite stations
- **Automatic Tuning** – search forward or backward quickly to the next station with strong reception
- **Telescopic FM Antenna** – extend and adjust the antenna for optimal FM reception
- **Last Station Memory** – listen to the last station tuned when you power up
- **Stereo/Mono Switch** – select mono or stereo mode when listening in the FM band
- **Area Interchange** – select USA or Europe to receive the radio stations in each region

FEATURES continued

ALARM CLOCK:

- **Local/World Time Modes** – choose between local time and world time in cities across the world
- **12/24 Hour Modes** – choose between 12-hour mode or 24-hour mode
- **Dual Alarms** – set two alarms that allow you to wake up to radio, CD, or buzzer
- **Snooze Feature** – snooze for 5 minutes before the alarm reactivates
- **Sleep Mode** – set the sleep function to turn off the player in 15-90 minutes
- **Low Battery Indicator** – reminder to replace drained batteries
- **Illuminated Multifunction LCD Display** – blue backlit LCD with large dot matrix type to view system status and clock in low light
- **Two Power Sources** – power the unit with 4 AA batteries or a DC 7.5V 800mA AC/DC adapter (included)
- **Auto Power Off** – automatically turns off the player to help reserve battery power



"WOW", SRS and  symbol are trademarks of SRS Labs, Inc. "WOW" technology is incorporated under license from SRS Labs, Inc.

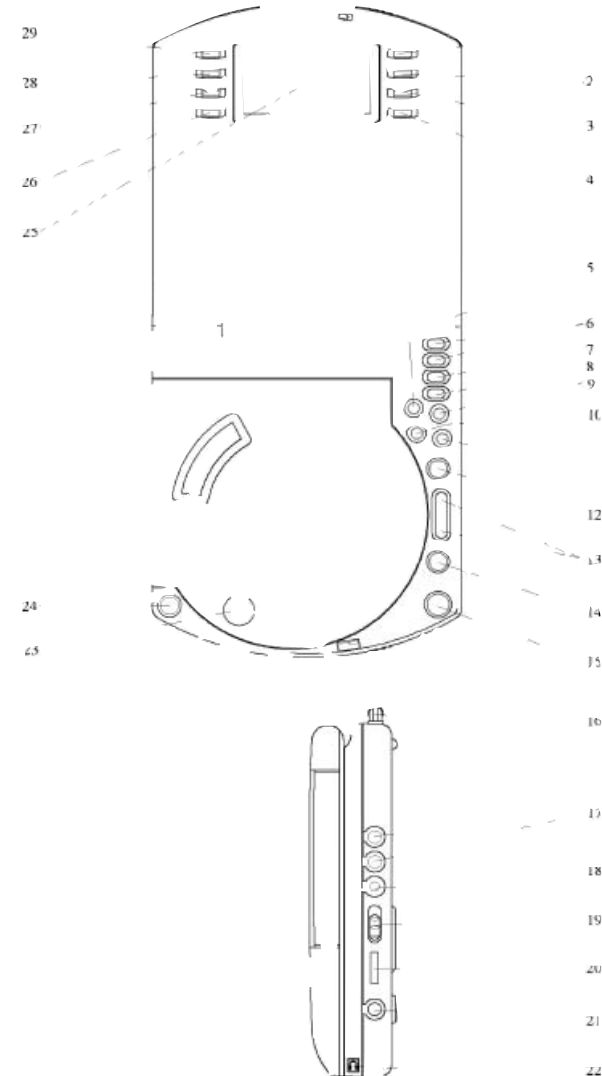
GENERAL:

- **Detachable Stereo Speakers** – remove and place the quality speaker boxes as you like for optimal listening and performance
- **SRS Audio Process** – creates a realistic surrounding sound experience, deep rich bass, and a wider, more 3D audio performance

3 INTRODUCTION

LOCATION OF CONTROLS

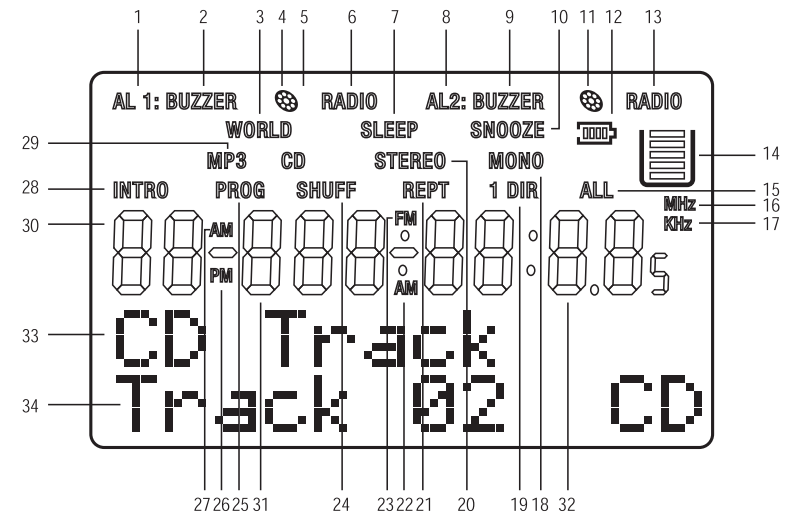
- 1 World/Local** – to see the preset local time or world time
- 2 Set** – to set world/local time, or alarm
- 3-4 Up/Down** – to select desired time, date, or alarm mode while setting time or alarm
- 5 SAS/+10** – while playing CD, press to turn ESP on/off; while playing MP3, press this button to skip 10+ tracks
- 6 Preset+/-** – to select radio station presets for listening
- 7 St/Mono** – to select the FM stereo or the mono channel
- 8 Album** – to search the directory of a MP3; in tuner mode, to change the radio area (press 3 seconds)
- 9 EQ/Prog** – while playing CD/MP3, press to select desired EQ setting (DBB, POP, JAZZ, CLASSIC, DISCO, NORMAL); when CD/MP3 not playing, press to program CD/MP3 playing sequence; in tuner mode, press to set radio stations in memory
- 10 Tuner/Band** – to switch tuner between AM /FM.
- 11 Mode** – while playing CD, press to set repeat mode for one track or all tracks; while playing MP3, press to set repeat mode for one track, one directory, or all tracks; when CD/MP3 not playing, press to set Intro or Shuff/Random play
- 12 Play/Pause** – press to play or pause CD/MP3
- 13 Scan Up/Down** – press to skip and search CD/MP3 tracks or directory; in tuner mode, press to search desired radio stations or automatically scan stations
- 14 Stop** – press to stop CD/MP3; in tuner mode, press to power off
- 15 Snooze** – when alarm is activated, press to snooze for 5 minutes; when alarm is inactive, press to turn on LCD backlighting momentarily
- 16 Telescopic FM Antenna** – extend and adjust the antenna for optimal FM reception
- 17 Speaker Jacks** – to connect speaker wires from the detachable speakers boxes
- 18 DC Jack** – to connect with AC/DC adaptor
- 19 Bass Selector** – to select TruBass, Stereo, or SRS 3D bass settings
- 20 Volume** – to adjust listening volume
- 21 Headphone Jack** – to connect stereo headphone
- 22 Open Player** – to open player, slide the button towards the arrow
- 23 Close Lid** – to close lid after inserting CD/MP3 disc
- 24 Open Lid** – to open lid to insert CD/MP3 disc
- 25 LCD display** – to view player status and clock
- 26 Alarm On/Off** – to turn on/off one or all alarms
- 27 Alarm 1/ Alarm 2** – to set alarm 1/alarm 2, or to view preset alarm 1/alarm 2
- 28 Alarm Mode** – to activate alarm
- 29 Sleep** – to set sleep time as 15, 30, 45, 60, or 90 minutes



INTRODUCTION continued

LCD DISPLAY

- 1 **AL 1** – indicates when ALARM 1 is activated
- 2/9 **BUZZER** – indicates when buzzer mode is set for Alarm 1/Alarm 2
- 3 **WORLD** – indicates while setting or checking world time
- 4/11 **CD PICTURE** – indicates when CD mode is set for Alarm1/Alarm 2
- 5 **CD** – indicates when it is playing CD.
- 6/13 **RADIO** – indicates when radio mode is set for Alarm1/Alarm 2
- 7 **SLEEP** – indicates when Sleep Timer mode is activated
- 8 **AL 2** – indicates when ALARM 2 is activated
- 10 **SNOOZE** – indicates when Snooze is activated after an alarm
- 12 **Battery Indicator** – indicates when the battery is loaded and flashes when it is weak
- 14 **ESP Indicator** – indicates the memory stored/used while playing a CD/MP3
- 15 **ALL** – indicates repeat ALL tracks mode while playing a CD/MP3
- 16 **MHz** – indicates FM frequency
- 17 **KHz** – indicates AM frequency
- 18 **MONO** – indicates tuner MONO mode
- 19 **DIR** – indicates repeat DIRECTORY mode while playing a CD/MP3
- 20 **STEREO** – indicates tuner STEREO mode
- 21 **REPT 1** – indicates repeat ONE track mode while playing a CD/MP3
- 22 **AM** – indicates AM radio
- 23 **FM** – indicates FM radio
- 24 **SHUFF** – indicates Random mode while playing a CD/MP3
- 25 **PROG** – indicates while programming CD/MP3 sequence or playing the programmed tracks
- 26 **PM** – indicates PM time while setting the clock
- 27 **AM** – indicates AM time while setting the clock
- 28 **INTRO** – indicates when Intro Scan is activated
- 29 **MP3** – indicates while playing a MP3 disc
- 30 **Directory for CDs/MP3s**
- 31 **Track for CDs/MP3s**
- 32 **Time/Elapsed Time for CDs/MP3s**
- 33 **Day of the Week/Album Name for MP3s/CD Indicator**
- 34 **Date/Song, Artist and Sampling Rate for MP3s/Track and Sampling Rate for CDs**



4 INSTALLATION AND CONNECTIONS

CONNECTING SPEAKERS

The player comes with two matched speakers that are detachable. The player may be used with the speakers docked in the lid, or with the speakers detached. You may take remove the speakers from the lid and place them where

you like by using the supplied connection wire. Follow these steps to connect the speakers:

1. Press gently and push down to slide the speakers out of the lid.
2. Using the supplied connection wire, connect one end of the wire to the jack on the speaker and the other to the "SPEAKERS L or R" jack on the right side of the player.
3. Swivel out the built-in speaker stands for stability and place the speakers where you like, as permitted by the length of the connection wire.

CONNECTING HEADPHONES

For private listening, you can listen to the player with a pair of stereo earphones or headphones with a 3.5mm plug by plugging it into the headphone jack on the right side of the player.

LISTENING SAFETY

To protect your hearing, follow these guidelines when you use earphones or headphones:

- Set the volume to the lowest setting before you begin listening. After you begin listening, adjust the volume to a comfortable level.
- Do not listen to the radio or music at extremely high volume level. Extended high-volume listening can lead to permanent hearing loss.
- Once you set the volume, do not increase it. Over time, your ears adapt to the volume level, so a volume level that does not cause discomfort might still damage your hearing.

TRAFFIC SAFETY

Do not wear earphones or headphones while operating a motor vehicle or riding a bicycle. This can create a traffic hazard and could be illegal in some areas. Even though some earphones and headphones let you hear some sounds outside when listening at normal volume levels, they still can present a traffic hazard.

5 POWERING THE UNIT

You can power the player from any of these power supplies:

- 4 AA alkaline batteries
- Standard AC power using a DC 7.5V, 800mA AC/DC adapter

USING BATTERIES

Follow these steps to install batteries:

1. Press down and slide the battery door in the direction of the arrow on the cover and lift it up.
2. Place four AA batteries into the compartment as indicated by the polarity symbols (+ and -) marked inside.
3. Replace the battery door.

CAUTION:

- Always use fresh batteries of the specified size by the manufacturer. Do not mix old and new batteries, different types of batteries, or rechargeable batteries of different capacities.
- If you do not plan to use the player with batteries for a month or more, or if you plan to use the AC/DC adapter only, remove the batteries. Unused batteries can leak chemicals that may destroy the electronic parts inside.

NOTE:

- When battery symbol flashes on the display, replace the batteries, as sound may distort or volume weaken.
- When batteries are taken out, the time will be stored in memory for 3 minutes. Please replace batteries quickly to prevent the clock from being reset.
- Dispose of old batteries promptly and properly. Do not burn or bury them.

USING AC/DC ADAPTER

You can power the unit from a standard AC outlet by using the included DC 7.5V 800mA AC/DC adapter

Follow these steps to connect the AC/DC adapter to the player:

1. Insert the AC/DC adapter's plug into the "DC IN 7.5V" jack on the right side of the player.
2. Plug the AC/DC adapter into a standard AC outlet.

CAUTION:

When you finish using AC/DC adapter, disconnect it from AC outlet first, then unplug it from the unit.

NOTE: Once an AC/DC adapter is connected to the unit, the batteries installed will be disconnected automatically.

6 OPERATING INSTRUCTIONS

CD/MP3 OPERATION

LOADING DISCS

1. To open player, slide **OPEN PLAYER** button towards the arrow.
2. Press **OPEN LID** button on the left front corner of the player to open the disc lid cover.
3. Hold the disc by its edges and carefully place it into CD/MP3 compartment and securely onto the disc spindle with CD/MP3 label-side up.
4. Press **CLOSE LID** position on the disc cover to securely protect the CD/MP3 during playback.

PLAYING DISCS

Press **PLAY/PAUSE** button and the player will start to read information from the loaded disc. The LCD display shows "READING".

- If playing a CD disc, the LCD display will show "CD Track" and list the track number and its elapsed time, while CD playback rate scrolls across the bottom of the screen. The CD and ESP indicators are also shown on the LCD display.
- If playing a MP3 disc, the LCD display will list directory number, track number, track elapsed time, and artist while the track title and play back rate scroll across the bottom of

the screen. Playback will begin with the first track of the first directory. The MP3 and ESP indicators are also shown on the LCD display.

NOTE: Whenever one of the control buttons is pressed, the LCD backlight illuminates for about 4 seconds.

ELECTRONIC SKIP PROTECTION (ESP)

This player contains special circuits to save music into memory and then playback from memory to prevent skipping. For CDs, the memory is for 40 seconds of playback. For MP3s, it is for 120 seconds of playback.

The ESP system is automatically turned on by pressing **PLAY/PAUSE** button. The ESP icon is shown on the LCD display to indicate the amount of memory being stored or used by the player. Please note that memory levels will increase and decrease during playback.

If listening to a CD disc, you may press **SAS/+10** button to turn off the ESP system, which will reflect on the LCD display. To resume the ESP feature, press this button again and look for the ESP indicator on the LCD display.

If listening to a MP3 disc, ESP cannot be turned off. Please note that when playing a MP3, discs will not spin in the player when it's playing from ESP memory. Discs only spin while playing MP3s

OPERATING INSTRUCTIONS *continued*

when the player is reading a disc to store into memory. The ESP icon reflects the changes in memory level while the player goes through this process.

ADJUSTING VOLUME

Rotate **VOLUME** knob as indicated in the right side of the player to adjust volume to a comfortable listening level.

EQUALIZER

While playing CD/MP3s, you may press **EQ/PROG** button to select a pre-programmed equalizer effect to enhance your music. The five settings are: **DBB**, **POP**, **JAZZ**, **CLASSIC**, or **DISCO**. Each successive press of **EQ/PROG** button changes the setting. To select no equalizer effect, choose the "NORMAL" setting.

NOTE: Only CD/MP3 playback has EQ function.

PAUSING PLAYBACK

To pause temporarily, press **PLAY/PAUSE** button. The elapsed time indicator flashes on the LCD display while the CD disc keeps rotating. While playing a MP3, the disc will stop rotating.

To resume playing, press **PLAY/PAUSE** button again, and the current track number indicates on the LCD display.

STOPPING PLAYBACK

CD/MP3 playback stops automatically at the end of the last track or the last track of the last directory. To stop playback sooner, press **STOP** button. If no further action is taken after 30 seconds later, the player is automatically powered off. To power off the unit quicker, press **STOP** button a second time.

When a disc stops, the LCD display shows the total number of tracks and total playing time for CDs. For MP3s, the LCD display also shows total number of directories and tracks.

SKIP SEARCH

To search forward or backward during playing, press and hold down **SCAN UP/DOWN** button. The LCD display will show the elapsed time changing quickly. When the desired point is reached, release **SCAN UP/DOWN** button to resume normal playback.

NOTE: When you search to the end of the last-track or the beginning of the first track, it stops automatically.

OPERATING INSTRUCTIONS continued

SPECIFYING A TRACK

CD

To select a desired track, press **SCAN UP/DOWN** button repeatedly until the desired track is found. The LCD display will show the track number as you search.

MP3

While MP3 disc is playing, you may

1. Press **SCAN UP** button repeatedly to skip forward to choose the track or directory desired. Playback will begin automatically.
2. Press **SCAN DOWN** button once to skip backward to the beginning of the current track. Press **SCAN DOWN** button repeatedly to skip backward to choose the track or directory desired. Playback will begin automatically.

When MP3 playback is stopped but power is still on, you may

1. Press **SCAN UP/DOWN** button repeatedly to find out the desired directory or the track.
2. Press **PLAY/PAUSE** button to start play from this track on.

NOTE: While playing, press **SAS/+10** button to skip forward for 10 tracks each time.

REPEAT PLAY

While playing a CD/MP3 disc, you may press **MODE** button to activate one of three different repeat settings. Each successive press of **MODE** button changes the setting:

1. One-Track Repeat - During playback, press **MODE** button until "REPT 1" indicates on the display. The current track will be repeated continuously.
2. One-Directory Repeat - During MP3 playback only, press **MODE** button until "REPT DIR" indicates on the display. The current directory will be repeated continuously.
3. All-Track Repeat - During playback, press **MODE** button until "REPT ALL" indicates on the display. All tracks will be repeated continuously.

INTRO SCAN

You can preview the first 10 seconds of each track to conveniently search for your desired track. Follow the steps below to initiate Intro Scan playback:

OPERATING INSTRUCTIONS continued

1. Stop playback by pressing **STOP** button.
2. Press **MODE** button until "INTRO" indicates on the display.
3. Press **PLAY/PAUSE** button, and Intro Scan starts at once from the first track.
4. To cancel Intro Scan, press **STOP** button.

SHUFFLE PLAY

You can have the player play all tracks randomly with the Shuffle Play feature. Follow the steps below to initiate Shuffle Play:

1. Stop playback by pressing **STOP** button.
2. Press **MODE** button until "SHUFF" indicates on the display.
3. Press **PLAY/PAUSE** button, and Shuffle Play starts at once.
4. To cancel Shuffle Play, press **STOP** button.

PROGRAMMED PLAY

You can program up to 99 tracks to play in any order you choose. The same track can be programmed for more than once.

TO PROGRAM A CD/MP3 PLAYBACK SEQUENCE:

CD

1. Stop playback by pressing **STOP** button.
2. Press **EQ/PROG** button until "PROG" indicates on the display along with "PROGRAM: 01".
3. Press **SCAN UP/DOWN** button repeatedly to find the track to be programmed.
4. Press **EQ/PROG** button again to save it as "PROGRAM: 01" then PROGRAM: 02" etc.
5. Press **PLAY/PAUSE** button to play the programmed track while "PROG" is shown on the LCD display.
6. Repeat steps 1 to 5 to program all tracks up to 99 tracks.

MP3

1. Stop playback by pressing **STOP** button.
2. Press **EQ/PROG** button until "PROG" indicates on the display along with "PROGRAM: 01".
3. Press **ALBUM** button to select the desired directory.
4. Press **SCAN UP/DOWN** button repeatedly to find the track to be programmed.
5. Press **EQ/PROG** button again to save it as "PROGRAM: 01" then PROGRAM: 02" etc.

OPERATING INSTRUCTIONS continued

6. Press **PLAY/PAUSE** button to play the programmed track while "PROG" is shown on the LCD display.
7. Repeat steps 1 to 7 to program all tracks up to 99 tracks.

TO PLAY THE PROGRAMMED SEQUENCE:

Press **PLAY/PAUSE** button while "PROG" is shown on the LCD display.

While playing, you can press **SCAN UP/DOWN** button to skip forward or backward, and you can also set repeat playback for one or all the programmed tracks by pressing **MODE** button.

After the last programmed track is played, the player will stop automatically.

To clear a programmed sequence:

1. Press **STOP** button while a programmed sequence plays, and the PROG indicator will disappear from the display, or
2. Open the disc cover by pressing **OPEN** button, or
3. Unplug the AC/DC adaptor to turn off the unit.

AM/FM TUNER OPERATION

LISTENING TO THE RADIO

1. Press **TUNER/BAND** button to turn on the tuner. Whenever the tuner is turned on, it always begins at the last listened station.
2. Press **TUNER/BAND** button repeatedly to select either AM or FM band.
3. Use one of following methods to tune for the desired station. The display shows the tuned frequency.
 - Memory Tuning: Press **PRESET+/ PRESET-** buttons. When one of the preset stations is selected, the LCD shows channel number "CH0" and frequency "FM---MHz/AM---KHz". There are 20 stations presets for FM and 10 station presets for AM.
 - Manual Tuning: Press **SCAN UP/DOWN** buttons with quick, short presses to manually tune upward or downward to the desired radio station.

OPERATING INSTRUCTIONS continued

- Automatic Tuning: Press **SCAN UP/DOWN** or **MODE** button with a long press to automatically tune upward or downward to the next station with strong reception. Press **EQ/PROG** twice or **STOP** button once to stop automatic tuning.

NOTE:

- For better FM reception, extend and adjust the telescopic FM antenna to optimize reception.
- While listening to stereo FM broadcasting, if the signal is strong enough, "STEREO" indicator will appear on the LCD display. If reception is poor or noisy, you may press **ST/MONO** button to turn it to MONO broadcasting. When MONO is selected, reception will be better, and "MONO" appears on LCD display.
- Press **STOP** button to turn off the radio.

STORING STATION MEMORIES

You can store up to 20 FM stations and 10 AM stations in memory. Follow steps below to set station memory presets:

1. Press **TUNER/BAND** button repeatedly to select either AM or FM band.

2. Press **SCAN UP/DOWN** button to tune for the desired station.
3. Select the desired memory with **PRESET+/PRESET-** buttons. Once the desired memory is selected, press **EQ/PROG** button to save the memory.
4. Repeat steps 1 to 3 to store other stations into memory.

RETRIEVING STATION MEMORIES

1. Press **TUNER/BAND** button to select either AM or FM band.
2. Press **PRESET+/PRESET-** buttons to find the preset station stored in memory that you wish to hear.
3. Stop at the preset station desired and the station will begin play automatically.

OPERATING INSTRUCTIONS continued

CLOCK/ALARM OPERATION

SETTING LOCAL TIME AND DATE

Once the power supply is connected initially or after an extended period of non-use, the LCD display indicates "12:00 SATURDAY JAN/01/2000". You can select from numerous cities around the world to serve as your local time zone. Once your local time is set, the player can automatically tell you the time in different cities around the world. Follow the steps below to set local time and date:

1. Press **WORLD/LOCAL** button for three seconds until a city name appears on the display.
2. Press **UP/DOWN** buttons to select your local city name or time zone.
3. Press **SET** button for two seconds to save. The city name changes to day of the week on the LCD display.
4. Press **SET** button again and the city name reappears. Display starts to flash year.
5. Press **UP/DOWN** buttons to select correct year.
6. Press **SET** button again to save year setting. Display starts to flash the month.
7. Press **UP/DOWN** buttons to select correct month.
8. Press **SET** button again to save month setting. Display starts to flash the day.
9. Press **UP/DOWN** buttons to select correct day.
10. Press **SET** button again to save date setting. Display starts to flash the hour.
11. Press **UP/DOWN** buttons to select correct hour.
12. Press **SET** button again to save hour setting. Display starts to flash the minute.
13. Press **UP/DOWN** buttons to select correct minute.
14. Press **SET** button again to save minute setting. The time and date are set.

VIEWING WORLD TIME

To view world time, press **WORLD/LOCAL** button repeatedly until the desired city name indicates, then world time will be shown for about 4 seconds. The "WORLD" indicator will flash at the same time on the display.

SELECTING HOUR MODE

This player has the choice of 12 or 24 hour clock modes that can be changed when the player is turned on or off. Follow the steps below to select the hour mode:

OPERATING INSTRUCTIONS continued

1. Press **SLEEP** button for about three seconds, **HOUR MODE** appears on the display.
2. Press **UP/DOWN** buttons to select 12 HOUR or 24 HOUR mode then press **SET** button to save it.

SETTING ALARM TIME:

Follow the steps below to set Alarm 1/Alarm 2 time:

1. Press **ALARM 1/ALARM 2** button to select Alarm 1 or Alarm 2.
2. Press **SET** button and the hour indicator flashes.
3. Press **UP/DOWN** buttons to select desired hour number.
4. Press **SET** button again to save and the minute indicator flashes.
5. Press **UP/DOWN** buttons to select desired minute number.
6. Press **SET** button again to save minute time and the alarm time is set.
7. Press **ALARM ON/OFF** button until the correct alarm on/off sequence is found then press **SET** button to save or cancel. The "AL 1 or AL 2" icon will indicate accordingly on the display.

NOTE: After the alarm is set, the LCD display shows the setting for about ten seconds before resuming to the local time clock.

ACTIVATING/DEACTIVATING ALARM

Follow the steps below to activate/deactivate Alarm 1/Alarm 2:

1. Press **ALARM ON/OFF** button once to see "Alarm 1" and "Alarm 2" on display.
2. Either press **ALARM ON/OFF** button repeatedly or press **UP/DOWN** buttons to find the desired alarm setting combination.
3. Press **SET** button to save settings or just release buttons to save settings. The corresponding alarm icons will indicate on the display.
4. When the alarm sounds, press any button for buzzer or **STOP** button for CD/MP3 or radio alarm to deactivate the alarm. Otherwise all alarms automatically shutoff in 5 minutes if not manually deactivated before.
 - Ensure player displays local time clock before activating alarms. It takes 5 seconds to resume local time clock after setting clock/alarm or viewing alarm setting.
 - The volume of the CD/MP3 alarm is at previous listening level. Remember to check listening level when setting alarms to ensure it is the appropriate volume as an alarm.

OPERATING INSTRUCTIONS continued

SETTING ALARM MODE

The default alarm mode is buzzer but this can be changed to CD/MP3 alarm or radio alarm as well.

Follow the steps below to change alarm mode:

1. Either press **ALARM MODE** button repeatedly or press **UP/DOWN** buttons to find the desired alarm mode combination.
2. Press **SET** button to save settings or just release buttons to save settings.
3. The corresponding alarm icons will indicate on the display.
 - If buzzer is selected, "AL 1 BUZZER" or "AL 2 BUZZER 2" indicates.
 - If CD/MP3/WMA Alarm mode is selected, "AL1 " or "AL 2 " indicates.
 - If Radio Alarm mode is selected, "AL 1 RADIO" or "AL 2 RADIO" indicates.

When the desired alarm mode indicator is shown, stop pressing **UP/DOWN** buttons, and wait for a few seconds, the alarm mode is set automatically, and you can also press **SET** button to save it once you choose it .

VIEWING ALARM SETTING

Follow the steps below to view alarm settings

- Press **ALARM 1/ALARM 2** button once, the LCD display shows alarm 1 setting (include alarm time and mode) for about 5 seconds before resuming to the local time clock.
- Press **ALARM 1/ALARM 2** button twice, the LCD display shows alarm 2 for about five seconds before resuming to the local time clock.
- Press **ALARM 1/ALARM 2** button repeatedly to toggle between alarm 1 and alarm 2 settings.

SNOOZE MODE:

When alarm activates, you may press **SNOOZE** button to postpone alarm for 5 minutes. While in snooze mode, "SOONZE" indicator appears on the LCD display.

7 OTHER FEATURES

BACKLIGHT

Pressing any of the buttons on the player illuminates the LCD backlight for about 4 seconds.

SLEEP MODE

Sleep Mode allows you to set the player to automatically shutoff in a pre-determined amount of time while playing CD/MP3 disc or the radio. Sleep Mode may be set for 15, 30, 45, 60, or 90 minutes. Follow the steps below to activate Sleep Mode while the player is turned on:

1. Press **SLEEP** button once to initiate the sleep mode, and "SLEEP IN 15 MINUTES" is displayed.
2. Press **UP/DOWN** buttons or **SLEEP** button repeatedly to choose the desired sleep time.
3. Press **SET** button to save the selected sleep time, and "SLEEP" indicator appears on the display.

NOTE:

After the player shuts off in Sleep Mode, the SLEEP indicator disappears on the LCD.

DEACTIVATING SLEEP MODE:

1. Press **SLEEP** button repeatedly till the "SLEEP OFF" indicator appears on the display.
2. Press **SET** button to cancel sleep setting. "SLEEP" indicator disappears on the display.

BASS SETTINGS

This player has three different bass settings for optimal listening. The three settings are Stereo, TruBass, and SRS 3D. On the right side of the player, slide the bass switch to either TruBass or SRS 3D to experience enhanced bass effects and determine the optimal listening level for you. For the "normal" setting without enhanced bass effects, place the switch in the middle to select the Stereo setting.

8 TROUBLE SHOOTING

With proper care and handling, the player should provide you with years of trouble-free service. However, if it is not working properly, follow these suggestions to see if you find and fix the problem. If you still have problems persist, contact Etón Corporation for assistance.

PROBLEM	POSSIBLE CAUSE	SUGGESTION
CD/MP3/WMA will not play.	Disc is not facing upward.	Reinstall the disc with its printing side face upward.
	Disc is not properly loaded.	Load the disc properly and securely.
	Dirty or defective disc.	Clean or replace the CD/MP3 disc.
	The batteries are weak or old.	Change to fresh new batteries
There is no sound or intermittent sound.	The AC/DC adapter isn't properly connected.	Check and connect the adapter properly.
	The speaker or headphones' are not properly connected.	Check and re-plug in connection wires properly.
Radio reception is poor and distorted.	The CD/MP3/WMA player is subjected to excessive vibration or shock	Place the player on a stable surface.
	Stations don't tune properly.	Retune the stations carefully.
Radio reception is poor and distorted.	The antenna is not properly adjusted.	Adjust the telescopic FM antenna to find optimal reception.

9 CARE AND MAINTENANCE

Follow the suggestions below to properly care for and maintain your player:

- Do not drop into water or splash with water. If it gets wet, wipe dry immediately. Liquids may contain minerals that can corrode the electronic circuits.
- Use and store the player only in normal temperature environments. Temperature extremes can shorten the life of electronic devices, damage batteries, and distort or melt plastic parts.
- Keep the player away from dust and dirt, which can cause premature wear of parts.
- Handle the player gently and carefully. Dropping it can damage circuit boards and cause malfunctioning.
- Use only fresh batteries of the required size and recommended type. Old batteries can leak chemicals that damage the player's electronic parts.
- Wipe the player with a damp cloth occasionally to keep it looking new. Do not use harsh chemicals, cleaning solvents, or strong detergents only mild soap and water.
- Modifying or tampering with the player's internal components can cause malfunctioning and will void its warranty.

CD/MP3 DISC CARE TIPS


Even though CD/MP3 discs are very durable, follow the suggestions below for optimal performance:

- Keep discs inside the player or in their protective case or sleeve when not in playing
- Handle discs by their edges to avoid fingerprints that can cause skipping or distorted sound
- Do not write on the non-label side
- Keep discs dry as moisture drop can act as a lens and cause skipping or distorted sound
- Never use chemicals such as record cleaning sprays, ant-static sprays or fluids, benzene or thinner to clean as they can permanently damage the plastic surface

IMPORTANT SAFETY INSTRUCTIONS

WARNING

- TO PREVENT FIRE OR SHOCK HAZARD, DO NOT EXPOSE THE APPLIANCE TO RAIN OR MOISTURE.
- DRIPPING WARNING: The product shall not be exposed to dripping or splashing and that no objects filled with liquids, such as vases, shall be placed on the product.
- VENTILATION WARNING: The normal ventilation of the product shall not be impeded for intended use.




DANGER: INVISIBLE LASER RADIATION WHEN OPEN AND INTERLOCK FAILED OR DEFEATED. AVOID DIRECT EXPOSURE TO BEAM.

CAUTION: HAZARDOUS LASER RADIATION WHEN OPEN AND INTERLOCK DEFEATED.

CAUTION

**RISK OF ELECTRIC SHOCK
DO NOT OPEN**

CAUTION: TO REDUCE THE RISK OF ELECTRIC SHOCK, DO NOT REMOVE COVER (OR BACK). NO USER-SERVICEABLE PARTS INSIDE. REFER SERVICING TO QUALIFIED SERVICE PERSONNEL.



DANGEROUS VOLTAGE: Uninsulated dangerous voltage, that may be of sufficient magnitude to constitute a risk of electric shock to persons is present within this product's enclosure.

ATTENTION: The owner's manual contains important operating and maintenance instructions. For your safety, it is necessary to refer to the manual.

AVOID INSTALLING THE UNIT IN LOCATIONS DESCRIBED BELOW.

- Places exposed to direct sunlight or close to heat radiating appliances such as electric heaters.
- Places lacking ventilation or dusty.
- Places subjected to constant vibration.
- Humid or moist places.

THIS PRODUCT UTILIZES A LASER.

DANGER – Invisible laser radiation is present when unit is opened and interlock failed or defeated.

CAUTION – Use of the controls or adjustments of procedures other than those specified herein may result in hazardous radiation.

THE LASER COMPACT DISC PLAYER FUNCTIONS BY HELP OF INVISIBLE LASER LIGHT AND IS EQUIPPED WITH SAFETY SWITCHES TO AVOID EXPOSURE WHEN DOOR IS OPEN AND SAFETY INTERLOCKS ARE DEFEATED. IT IS DANGEROUS TO DEFEAT OR BYPASS SAFETY SWITCHES.

11 SPECIFICATIONS

Frequency Response (+/-4dB).....	20-20,000 Hz
Sampling Frequency.....	44.1 kHz
Oversampling.....	8 times
Wavelength.....	780 nm
Radio Frequency – FM.....	(for U.S.) 87.5-107.9 MHz (0.2 MHz per step) (for Europe) 87.5—108MHz
Radio Frequency – AM.....	(for U.S.) 530---1710KHz and step 10KHz (for Europe) 531---1602KHz
Power Requirement.....	Four AA alkaline batteries AC/DC adapter (DC 7.5V, 800mA)
Power Output.....	600mW
Dimensions (HWD).....	38 x 145 x 169.4mm
Weight (without batteries).....	0.52kg

12 SERVICE INFORMATION

You may contact the Etón Service Department for additional information:

customersvc@etonncorp.com

Contact us for a Return Authorization prior to shipping your unit. Should you want to return your unit for service, pack the receiver carefully using the original carton or other suitable container. Write your return address clearly on the shipping carton and on an enclosed cover letter describing the service required, symptoms or problems. Also, include your daytime telephone number and a copy of your proof of purchase. The receiver will be serviced under the terms of the Etón Limited Warranty and returned to you.

ONE YEAR LIMITED WARRANTY

Etón warrants to the original purchaser this product shall be free from defects in material or workmanship for one year from the date of original purchase.

During the warranty period Etón or an authorized Etón service facility will provide, free of charge, both parts and labor necessary to correct defects in material and workmanship. At their option, Etón may replace a defective unit.

1. Complete and send in the Warranty Registration Card within ten (10) days of purchase.
2. Call Etón or the nearest authorized service facility, as soon as possible after discovery of a possible defect. Have ready:
 - a. the model and serial number.
 - b. the identity of the seller and the approximate date of purchase.
 - c. a detailed description of the problem, including details on the electrical connection to associated equipment and the list of such equipment.

3. Etón will issue a Return Authorization number and the address to which the unit can be shipped. Ship the unit in its original container or equivalent, fully insured and shipping charges prepaid.

Correct maintenance, repair, and use are important to obtain proper performance from this product. Therefore carefully read the Instruction Manual. This warranty does not apply to any defect that Etón determines is due to:

1. Improper maintenance or repair, including the installation of parts or accessories that do not conform to the quality and specification of the original parts.
2. Misuse, abuse, neglect or improper installation.
3. Accidental or intentional damage.
4. Battery leakage.

All implied warranties, if any, including warranties of merchantability and fitness for a particular purpose, terminate one (1) year from the date of the original purchase.

ONE YEAR LIMITED WARRANTY continued

The foregoing constitutes Etón entire obligation with respect to this product, and the original purchaser shall have no other remedy and no claim for incidental or consequential damages, losses, or expenses. Some states do not allow limitations on how long an implied warranty lasts or do not allow the exclusions or limitation of incidental or consequential damages, so the above limitation and exclusion may not apply to you. This warranty give you specific legal rights and you may also have other rights which vary from state to state.

FOR SERVICE INFORMATION CONTACT:

Etón Corporation

1015 Corporation Way
Palo Alto, CA 94303
U.S.A.
www.etoncorp.com



VOUS AVEZ BESOIN D'AIDE?

Voici comment nous contacter:

- From the United States: (800) 872-2228
- From Canada: (800) 637-1648
- From Everywhere Else: (650) 903-3866
- Email: customersvc@etoncorp.com
- Internet: www.etoncorp.com

TABLE DES MATIÈRES

1	TABLE DES MATIERES	31		
2	CARACTERISTIQUES	32		
3	INTRODUCTION.....	34		
	• Emplacement des commandes	34		
	• Écran à cristaux liquides (LCD)	36		
4	INSTALLATION ET RACCORDEMENTS.....	38		
	• Raccordement des haut-parleurs	38		
	• Raccordement des écouteurs	38		
5	ALIMENTATION DE L'APPAREIL.....	39		
	• Utilisation des piles.....	39		
	• Utilisation de l'adaptateur AC/DC	39		
6	MODE D'EMPLOI.....	40		
	• FONCTIONNEMENT DU CD/MP3	40		
	- Chargement des disques	40		
	- Lecture des disques	40		
	- Protection électronique contre les chocs (ESP)	40		
	- Réglage du volume	41		
	- Égaliseur (EQ)	41		
	- Pause de la lecture	41		
	- Arrêt de la lecture	41		
	- Avance et recul rapides (Skip Search).....	42		
	- Sélection des plages.....	42		
	- Répétition de lecture	42		
	- Lecture d'intro (Intro Scan)	43		
	- Lecture aléatoire	43		
	- Lecture programmée	43		
	• FONCTIONNEMENT DU TUNER AM/FM....	45		
	- Écoute de la radio	45		
	- Mise en mémoire de stations pré-sélectionnées	45		
	- Retrouver les stations pré-sélectionnées	45		
	• FONCTIONNEMENT DE L'HORLOGE/ALARME.....	46		
	- Réglage de l'heure locale	46		
	- Réglage de l'heure mondiale	47		
	- Sélection du mode des heures	47		
	- Réglage de l'heure d'alarme	47		
	- Activation/Désactivation de l'alarme.....	47		
	- Sélection de la fonction Alarme	48		
	- Affichage des réglages d'alarme	49		
	- Fonction Snooze.....	49		
7	AUTRES FONCTION.....	52		
	• Rétroéclairage	50		
	• Fonction Sleep (Sommeil)	50		
	• Réglages des graves	50		
8	RECHERCHE DE PANNES.....	51		
9	SOIN ET ENTRETIEN.....	52		
	• Conseils d'entretien des disques CD/MP3.....	52		
10	CONSIGNES DE SÉCURITÉ.....	53		
11	CARACTÉRISTIQUES TECHNIQUES.....	54		
12	RENSEIGNEMENTS SUR LES SERVICES.....	55		
13	LA GARANTIE LIMITÉE DE UN AN.....	56		

2 CARACTERISTIQUES

LE RADIO RÉVEIL CD/MP3/AM/FM DE VOYAGE EGO 4000 PLUS EST ÉQUIPÉ DES FONCTIONS PRINCIPALES SUIVANTES:

LECTEUR CD/MP3:

- **Protection électronique contre les chocs (ESP)** – met en mémoire 40 secondes de données CD et 120 secondes de données MP3 pour une lecture ininterrompue même lorsque le lecteur est exposé aux chocs ou vibrations.
- **Affichage MP3 ID Tag** – r affiche le nom de l'artiste et la plage enregistrée sur les disques MP3.
- **Lecture programmable** – programmation et lecture jusqu'à 99 plages dans n'importe quel ordre que vous choisissez.
- **Lecture répétée** – répétez automatiquement une plage simple, un répertoire (pour les MP3) ou un disque entier.
- **Lecture des intros (Intro Scan)** – recherchez ou faites une lecture préliminaire des plages à venir en faisant une lecture automatique des 10 premières secondes de chaque plage.
- **Lecture aléatoire** – lancez la lecture aléatoire des plages sur un disque CD/MP3.
- **EQ** – choisissez des effets d'écoute améliorée DBB, POP, JAZZ, CLASSIC, DISCO ou NORMAL pour convenir à votre style ou musique.
- **Avance et recul rapides (Skip Search)** – trouvez rapidement et lancez la lecture de n'importe quelle plage sur des disques CD/MP3.
- **Recherche audible** – trouvez une section particulière d'une plage en faisant une lecture rapide.
- **Pause et marque** – arrêtez la lecture temporairement ou marquez une plage pour faire sa lecture plus tard.
- **Mise à l'arrêt automatique** – met automatiquement le lecteur à l'arrêt pour économiser l'alimentation des piles.
- **Compatible avec des disques de 3 pouces** – lecture des disques CD/MP3 de 3 pouces.
- **Compatible avec des disques CD-R/CD-RW** – lecture des disques CD-R et CD-RW.
- **CD Alarm Wake Up** – réglez l'alarme pour le réveil au son d'un disque CD.

TUNER AM/FM:

- **Présélections de stations FM/AM** – mettez en mémoire jusqu'à 20 stations de radio FM et 10 stations de radio AM pour que vous puissiez trouver vos stations favorites.
- **Accord automatique** – recherchez rapidement la prochaine station de radio à signal puissant en augmentant ou en diminuant la fréquence.

CARACTERISTIQUES continué

- **Antenne FM télescopique** – déployez et ajustez l'antenne pour une réception FM optimale.
- **Mémoire de la dernière station** – écoutez la dernière station réglée sur le tuner à la mise en marche.
- **Commutateur Stéréo/Mono** – sélectionnez le mode d'écoute de la bande FM en mono ou en stéréo.
- **Changement de région** – choisissez les États-Unis ou l'Europe pour recevoir les stations de radio dans chaque région.


RÉVEIL:

- **Fonctions de l'heure locale/du monde** – choisissez entre l'heure locale et l'heure mondiale dans des villes à travers le monde.
- **Sélection de format horaire 12/24** – choisissez entre le format horaire soit sur 12 heures ou sur 24 heures.
- **Deux alarmes** – réglez deux alarmes qui permettent de vous réveiller au son de la radio, d'un CD ou de la sonnerie.
- **Fonction Snooze** – suspendez l'alarme pendant 5 minutes avant qu'elle se remette en marche.
- **Fonction sommeil (Sleep)** – réglez la fonction sommeil pour mettre le lecteur à l'arrêt entre 15 et 90 minutes plus tard.
- **Indication de piles faibles** – un rappel pour remplacer les piles usées.

FONCTIONS GÉNÉRALES:

- **Haut-parleurs stéréophoniques détachables** – détachez et placez les enceintes de qualité où vous voulez pour une écoute et une performance optimales.
- **Système audio SRS** – système surround sound avec amplification des graves et performance 3D plus large.
- **Écran LCD éclairé à fonctions multiples** – grand écran LCD à rétroéclairage bleu avec matrice de type à gros points pour voir confortablement l'état du système et l'horloge, même dans un endroit pas éclairé.
- **Deux sources d'alimentation** – alimentez l'appareil avec 4 piles AA ou avec un adaptateur AC/DC 7,5V 800mA (fourni)
- **Mise à l'arrêt automatique** – met automatiquement le lecteur à l'arrêt pour économiser l'alimentation des piles.

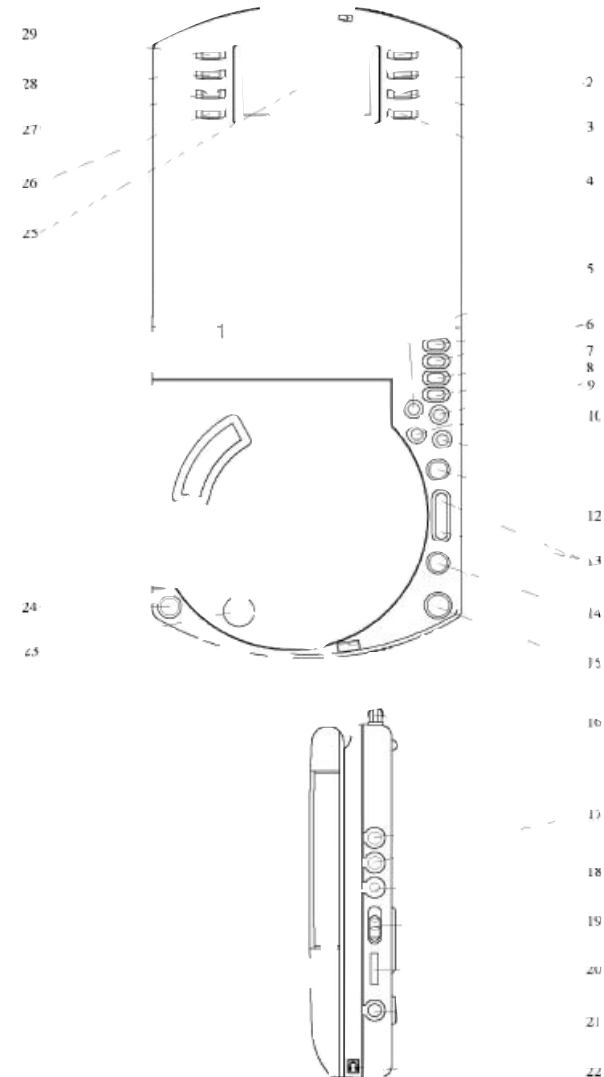


"WOW", SRS and  symbol are trademarks of SRS Labs, Inc. "WOW" technology is incorporated under license from SRS Labs, Inc.

3 INTRODUCTION

EMPLACEMENT DES COMMANDES

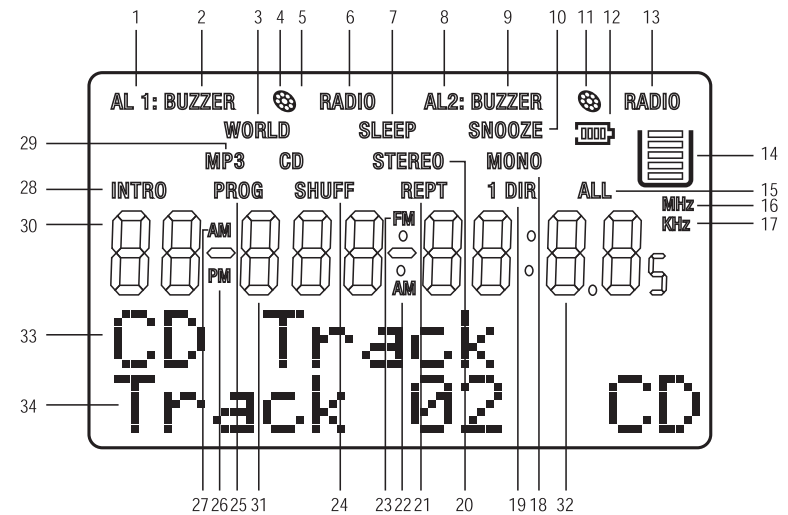
- 1 **World/Local** – pour voir l'heure locale pré-réglée ou pour régler l'heure mondiale.
- 2 **Set** – pour régler l'heure locale/mondiale ou pour régler l'alarme.
- 3-4 **Up / Down** – pour sélectionner l'heure, la date ou la fonction d'alarme désirées tout en réglant l'heure ou l'alarme.
- 5 **SAS/+10** – Pendant la lecture d'un CD, appuyez pour mettre en marche/à l'arrêt la protection électronique contre les chocs (ESP); pendant la lecture d'un disque MP3, appuyez sur ce bouton pour sauter de 10+ plages.
- 6 **Preset+/-** – pour choisir les stations de radio programmées pour les écouter.
- 7 **St/Mono** – pour sélectionner le canal mono ou FM stéréo.
- 8 **Album** – pour chercher le répertoire d'un MP3; dans la fonction tuner, pour changer de région de radio (appuyez 3 secondes)
- 9 **EQ/Prog** – Pendant la lecture d'un CD/MP3, appuyez pour sélectionner le réglage d'égaliseur désiré (DBB, POP, JAZZ, CLASSIC, DISCO, NORMAL); lorsqu'il n'y a pas de lecture de CD/MP3, appuyez pour programmer l'ordre de lecture sur un CD/MP3; dans la fonction tuner, appuyez pour mettre les stations de radio en mémoire.
- 10 **Tuner/band** – pour alterner la bande de fréquences entre AM et FM sur le tuner.
- 11 **Mode** – Pendant la lecture d'un CD, appuyez pour sélectionner la fonction de lecture répétée d'une plage ou de toutes les plages; pendant la lecture d'un MP3, appuyez pour sélectionner la fonction de lecture répétée d'une plage, d'un répertoire ou de toutes les plages; lorsqu'il n'y a pas de lecture de CD/MP3, appuyez pour sélectionner la fonction d'intro (lecture des débuts de plage) ou la lecture Shuff/Random (Mélangée/Aléatoire)
- 12 **Play/Pause** – Appuyez pour lancer ou interrompre la lecture d'un CD/MP3
- 13 **Scan Up/Down** – Appuyez pour avancer et reculer rapidement et rechercher des plages ou un répertoire d'un CD/MP3; dans la fonction tuner, appuyez pour rechercher les stations de radio désirées ou pour rechercher automatiquement les stations.
- 14 **Stop** – Appuyez pour arrêter la lecture d'un CD/MP3; dans la fonction tuner, appuyez pour mettre à l'arrêt.
- 15 **Snooze** – Lorsque l'alarme est activée, appuyez pour la suspendre l'alarme pendant 5 minutes; lorsque l'alarme n'est pas activée, appuyez pour éclairer momentanément le rétroéclairage de l'écran LCD.
- 16 **Antenne FM télescopique** – déployez et ajustez l'antenne pour une réception FM optimale.
- 17 **Prises des haut-parleurs** – pour brancher les fils des haut-parleurs provenant des enceintes détachables.
- 18 **Prise DC** – pour brancher l'adaptateur AC/DC
- 19 **Commutateur des graves** – pour sélectionner le réglage des graves sur TruBass ou SRS 3D.
- 20 **Volume** – pour régler le volume d'écoute.
- 21 **Prise pour casque d'écoute** – pour brancher un casque stéréophonique.
- 22 **Open Player** – pour ouvrir le lecteur, coulissez le bouton en direction de la flèche
- 23 **Close Lid** – pour fermer le couvercle après avoir inséré un disque CD/MP3
- 24 **Open Lid** – pour ouvrir le couvercle pour insérer un disque CD/MP3
- 25 **Écran LCD** – pour voir l'état du lecteur et l'horloge
- 26 **Alarm On/Off** – pour mettre en marche ou à l'arrêt une ou toutes les alarmes.
- 27 **Alarm 1/ Alarm 2** – pour sélectionner alarme 1 ou alarme 2, ou voir la sélection alarme 1 ou alarme 2
- 28 **Alarm Mode** – pour activer l'alarme.
- 29 **Sleep** – pour sélectionner la durée du délai d'arrêt sur 15, 30, 45, 60, ou 90 minutes.



INTRODUCTION continué

ÉCRAN LCD

- 1 **AL 1** – s’allume quand l’ALARME 1 est activée
- 2/9 **BUZZER** – s’allume quand la fonction de sonnerie est sélectionnée pour l’Alarme 1/Alarme 2
- 3 **WORLD** – s’allume pendant le réglage ou l’affichage de l’heure d’une autre région du monde
- 4/11 **IMAGE DE CD** – s’allume quand la fonction CD est sélectionnée pour l’Alarme 1/Alarme 2
- 5 **CD** – s’allume pendant la lecture d’un CD
- 6/13 **RADIO** – s’allume lorsque la fonction radio est sélectionnée pour l’Alarme 1/Alarme 2
- 7 **SLEEP** – s’allume lorsque la fonction de temporisation d’arrêt (Sleep Timer) est sélectionnée
- 8 **AL 2** – s’allume lorsque ALARM 2 est sélectionné
- 10 **SNOOZE** – s’allume lorsque Snooze est sélectionné après une alarme
- 12 **L’indication de pile** – s’allume lorsque les piles sont chargées et clignote lorsqu’elles sont faibles
- 14 **Indication ESP** – indique la mémoire stockée/utilisée durant la lecture d’un CD/MP3
- 15 **ALL** – s’allume pour la fonction de répétition de TOUTES les plages pendant la lecture d’un CD/MP3
- 16 **MHz** – indique la fréquence FM
- 17 **KHz** – indique la fréquence AM
- 18 **MONO** – indique la fonction MONO du tuner
- 19 **DIR** – indique la fonction de répétition du RÉPERTOIRE pendant la lecture d’un CD/MP3
- 20 **STEREO** – indique la fonction STÉRÉO du tuner
- 21 **REPT 1** – indique la fonction d’UNE plage pendant la lecture d’un CD/MP3
- 22 **AM** – indique la radio AM
- 23 **FM** – indique la radio FM
- 24 **SHUFF** – indique la fonction de lecture aléatoire pendant a lecture d’un CD/MP3
- 25 **PROG** – s’allume pendant la programmation de l’ordre de lecture d’un CD/MP3 ou pendant la lecture des plages programmées
- 26 **PM** – indique l’heure de l’après midi durant le réglage de l’horloge
- 27 **AM** – indique l’heure du matin durant le réglage de l’horloge
- 28 **INTRO** – s’allume quand la fonction Intro Scan est sélectionnée
- 29 **MP3** – s’allume pendant la lecture d’un disque MP3
- 30 **L’annuaire pour MP3s/CDs**
- 31 **Traquer pour MP3s/CDs**
- 32 **Temps/Temps passé pour MP3s/CDs**
- 33 **Le jour de la semaine/Le nom d’album pour MP3s/Indicateur de CD**
- 34 **Date/La chanson, l’artiste et essaie le taux pour MP3s/La piste et essaie le taux pour les CDs**



4 INSTALLATION ET RACCORDEMENTS

RACCORDEMENT DES HAUT-PARLEURS

Le lecteur est équipé d'une paire de haut-parleurs détachables. Le lecteur peut être utilisé avec les haut-parleurs placés dans le couvercle ou avec les haut-parleurs détachés. Vous pouvez enlever les haut-parleurs du couvercle et les placer où vous voulez en utilisant le fils de connexion fourni. Suivez ces étapes pour raccorder les haut-parleurs:

1. Appuyez doucement et poussez vers le bas pour coulisser les haut-parleurs hors du couvercle.
2. En utilisant le fil de connexion, raccordez une extrémité du fil à la prise jack sur le haut-parleur et l'autre extrémité sur la prise jack "SPEAKERS L ou R" sur le côté droit du lecteur.
3. Pivotez vers l'extérieur les supports à haut-parleur incorporés pour une bonne stabilité et placez les haut-parleurs où vous désirez, comme permis par la longueur du fil de connexion.

RACCORDEMENT DES ÉCOUTEURS

Pour une écoute discrète, vous pouvez écouter le lecteur avec un casque stéréophonique ou des écouteurs avec une prise de 3,5mm en le branchant dans la prise jack de casque d'écouter " " située sur le côté droit du lecteur.

SÉCURITÉ PENDANT L'ÉCOUTE

Pour protéger votre ouïe, suivez ces directives lors de l'utilisation d'écouteurs ou de casque stéréophonique:

- Réglez le volume au niveau le plus bas avant de commencer à écouter. Réglez le volume à un niveau confortable après avoir commencé à écouter.
- N'écoutez pas la radio ni la musique avec le volume réglé à un niveau extrêmement élevé. Une écoute prolongée à un volume élevé peut entraîner des pertes auditives permanentes.
- Une fois que vous avez réglé le volume, ne l'augmentez plus. Avec le temps, vos oreilles s'adaptent au niveau de volume, par conséquent, un niveau de volume qui n'est pas gênant peut tout de même entraîner des pertes auditives.

SÉCURITÉ ROUTIÈRE

Ne portez pas de casque d'écoute ni d'écouteurs lorsque vous conduisez un véhicule ou lorsque vous roulez à bicyclette. Vous pouvez poser un danger pour la sécurité routière et cela peut être illégal dans certaines régions. Bien que certains casques d'écoute ou écouteurs vous permettent d'entendre certains des sons ambiants lors de l'écoute à des niveaux normaux de volume, ils représentent quand même un danger pour la sécurité routière.

5 ALIMENTATION DE L'APPAREIL

Vous pouvez alimenter le lecteur à partir d'une de ces sources d'alimentation:

- 4 piles alcalines AA
- Alimentation secteur AC standard en utilisant un adaptateur AC/DC de 7,5V DC, 800mA

UTILISATION DES PILES

Suivez ces étapes pour installer les piles:1. Appuyez vers le bas sur le couvercle du

1. compartiment des piles et faites-le glisser dans la direction de la flèche sur le couvercle et soulevez-le pour l'ouvrir.
2. Placez quatre piles AA dans le compartiment en respectant les symboles de polarité (+ et -) marqués à l'intérieur.
3. Refermez le couvercle.

ATTENTION:

- Utilisez toujours des piles neuves de la taille spécifiée par le fabricant. Ne mélangez pas des piles neuves et des piles usées ou des piles rechargeables ou de différentes capacités.
- Retirez les piles si vous n'avez pas l'intention d'utiliser le lecteur avec des piles pendant un mois ou plus ou si vous comptez utiliser seulement que l'adaptateur AC/DC. Les piles qui ne sont pas utilisées peuvent fuir et libérer des produits chimiques qui peuvent endommager les pièces électroniques à l'intérieur.

NOTE:

- Lorsque symbole de pile clignote sur l'écran, remplacez les piles, puisque le son peut être altéré et le volume diminué par des piles faibles.
- Lorsque les piles sont retirées, l'heure de l'horloge sera préservée pendant 3 minutes. Veuillez remplacer rapidement les piles pour empêcher l'effacement du réglage de l'horloge.
- Jetez les piles usées de manière rapide et appropriée. Il ne faut ni les brûler ni les enterrer.

UTILISATION DE L'ADAPTATEUR AC/DC

Vous pouvez alimenter l'appareil à partir d'une prise secteur AC standard en utilisant l'adaptateur AC/DC de 7,5V DC et 800mA fourni avec l'appareil.

Suivez ces étapes pour brancher l'adaptateur AC/DC au lecteur:

1. Insérez la fiche de l'adaptateur AC/DC dans la prise jack "DC IN 7.5V" sur le côté droit du lecteur.
2. Branchez l'adaptateur AC/DC à une prise de courant secteur AC standard.

ATTENTION: Lorsque vous avez fini d'utiliser l'adaptateur AC/DC, débranchez-le d'abord de la prise de courant secteur AC, puis débranchez-le de l'appareil.

NOTE: Aussitôt que l'adaptateur AC/DC est branché sur l'appareil, les piles installées seront automatiquement hors-circuits.

6 MODE D'EMPLOI

FONCTIONNEMENT DU CD/MP3

CHARGEMENT DES DISQUES

1. Pour ouvrir le lecteur, couisissez le bouton **OPEN PLAYER** dans la direction de la flèche.
2. Appuyez sur le bouton **OPEN LID** situé sur le coin avant gauche du lecteur pour ouvrir le couvercle du plateau de chargement de disque.
3. Tenez le disque par ses bords et placez-le soigneusement dans le compartiment à CD/MP3 et sur le plateau avec l'étiquette du CD/MP3 vers le haut.
4. Appuyez sur la position **CLOSE LID** sur le couvercle du disque pour bien protéger le CD/MP3 durant la lecture.

LECTURE DES DISQUES

Appuyez sur le bouton **PLAY/PAUSE** et le lecteur commencera à lire les informations contenues sur le disque chargé. L'écran LCD affiche "READING".

- S'il s'agit d'une lecture de disque CD, l'écran LCD affiche "CD Track" et le nombre de plages et sa durée de lecture, tandis que le niveau de lecture du CD défile en bas de l'écran. Les indications CD et ESP sont aussi affichées sur l'écran LCD.

- S'il s'agit d'une lecture de disque MP3, l'écran LCD affichera le nombre de répertoires, le nombre de plages, la durée de lecture, et l'artiste tandis que le titre de la piste et le niveau de lecture défilent en bas de l'écran. La lecture commencera à la première plage du premier répertoire. Les indications CD et ESP sont aussi affichées sur l'écran LCD.

NOTE: Lorsque l'un des boutons de commande est appuyé, le rétroéclairage de l'écran LCD s'allume pendant environ 4 secondes.

PROTECTION ÉLECTRONIQUE CONTRE LES CHOCS (ESP)

Ce lecteur est équipé de circuits électroniques spéciaux servant à mettre en mémoire la musique et puis la jouer à partir de la mémoire. Pour les disques CD, la mémoire est pour 40 secondes de lecture. Pour les disques MP3, elle est pour 120 secondes de lecture.

Le système électronique contre les chocs (ESP) s'allume automatiquement en appuyant sur le bouton **PLAY/PAUSE**. L'icône ESP est affichée sur l'écran LCD pour indiquer la quantité de mémoire stockée ou utilisée par le lecteur. Veuillez prendre note que les niveaux de mémoires augmenteront et diminueront durant la lecture.

MODE D'EMPLOI continué

Si vous écoutez un disque CD, vous pouvez appuyer sur le bouton **SAS/+10** pour éteindre le système ESP, ce qui sera indiqué sur l'écran LCD. Pour remettre en marche la fonction ESP, appuyez à nouveau sur ce bouton et vérifiez l'indication ESP sur l'écran LCD.

Si vous écoutez un disque MP3 disc, la fonction ESP ne peut pas être mise à l'arrêt. Veuillez noter que lors de la lecture d'un disque MP3, les disques ne tourneront pas dans le lecteur lorsqu'il joue à partir de la mémoire ESP. Les disques tournent seulement durant la lecture de disques MP3s que lorsque le lecteur lit un disque pour le mettre en mémoire. L'icône ESP indique les changements de niveau de mémoire pendant que le lecteur suit cette procédure.

RÉGLAGE DU VOLUME

Tournez le bouton Volume comme indiqué sur le côté droit du lecteur pour ajuster le volume à un niveau d'écoute confortable.

ÉGALISEUR (EQ)

Lorsque vous écoutez des disques CD/MP3, vous pouvez appuyer sur le bouton **EQ/PROG.** pour sélectionner un effet d'égaliseur pré-programmé

pour une écoute améliorée de votre musique. Les cinq réglages sont: **DBB, POP, JAZZ, CLASSIC** ou **DISCO**. Chaque pression successive du bouton **EQ/Prog.** change le réglage. Pour choisir un effet sans égaliseur, sélectionnez le réglage "NORMAL".

NOTE: Seule la lecture d'un disque CD/MP3 permet l'utilisation de la fonction EQ.

PAUSE DE LA LECTURE

Pour interrompre provisoirement la lecture, appuyez sur le bouton **PLAY/PAUSE**. L'indication de durée de lecture écoulée clignote sur l'écran LCD tandis que le disque CD continue à tourner. Pendant l'écoute d'un MP3, le disque s'arrêtera de tourner.

Pour reprendre la lecture, appuyez à nouveau sur le bouton **PLAY/PAUSE**, l'indication du numéro de plage actuelle est affichée sur l'écran LCD.

ARRÊT DE LECTURE

La lecture d'un CD/MP3 s'arrête automatiquement à la fin de la dernière plage ou à la dernière plage du dernier répertoire. Pour arrêter la lecture plus tôt, appuyez sur le bouton **STOP**. Si aucune autre action n'est faite dans un délai

MODE D'EMPLOI continué

de 30 secondes, le lecteur est automatiquement mis à l'arrêt. Pour mettre l'appareil à l'arrêt plus tôt, appuyez une deuxième fois sur le bouton **STOP**.

Lorsqu'un disque s'arrête, l'écran LCD affiche le nombre total de plages et la durée de lecture totale pour les disques CD. Pour les disques MP3, l'écran LCD affiche le nombre total de répertoires et de plages.

AVANCE ET REcul RAPIDES (SKIP SEARCH)

Pour chercher en avant ou en arrière durant la lecture, appuyez et gardez appuyé le bouton **SCAN UP/DOWN**. L'écran LCD affichera le changement rapide de la durée de lecture. Lorsque vous avez atteint le point désiré, relâchez les boutons **SCAN UP/DOWN** pour reprendre la lecture normale.

NOTE: Lorsque la recherche vous conduit à la fin de la dernière plage ou au début de la première plage, elle s'arrête automatiquement.

SÉLECTION DE PLAGES

CD

Pour sélectionner une plage désirée, appuyez à plusieurs reprises sur le bouton **SCAN UP** jusqu'à ce que la plage désirée soit trouvée. L'écran LCD affichera le numéro de plage pendant votre recherche.

MP3

Pendant la lecture d'un disque MP3, vous pouvez

1. Appuyer à plusieurs reprises sur le bouton **SCAN UP** pour sauter en avant pour choisir la plage ou le répertoire désiré. La lecture commencera automatiquement.
2. Appuyer une fois sur le bouton **SCAN DOWN** pour sauter en arrière jusqu'au début de la plage actuelle. Appuyer à plusieurs reprises sur le bouton **SCAN DOWN** pour sauter en arrière pour choisir la plage ou le répertoire désiré. La lecture commencera automatiquement.

Lorsque la lecture d'un disque MP3 est arrêtée mais l'alimentation est encore en marche, vous pouvez

1. Appuyer à plusieurs reprises sur le bouton **SCAN UP/DOWN** pour trouver le répertoire ou la plage désirée.
2. Appuyer sur le bouton **PLAY/PAUSE** pour lancer la lecture à partir de cette plage.

NOTE: Pendant la lecture, appuyez sur le bouton **SAS/+10** pour sauter en avant de 10 plages à chaque fois.

RÉPÉTITION DE LECTURE

Pendant la lecture d'un disque CD/MP3, vous pouvez appuyer sur le bouton **MODE** pour activer un des trois réglages différents de répétition. Chaque pression successive sur le bouton **MODE** change le réglage:

MODE D'EMPLOI continué

1. Répétition d'une plage – Pendant la lecture, appuyez sur le bouton **MODE** jusqu'à ce que "REPT 1" s'affiche sur l'écran. La plage actuelle sera répétée continuellement.
2. Répétition d'un répertoire – Pendant la lecture d'un disque MP3 seulement, appuyez sur le bouton **MODE** jusqu'à ce que l'indication "REPT DIR" s'affiche sur l'écran. Le répertoire actuel sera répété continuellement.
3. Répétition de toutes les plages – Pendant la lecture, appuyez sur le bouton **MODE** jusqu'à ce que l'indication "REPT ALL" s'affiche sur l'écran. Toutes les plages seront répétées continuellement.

LECTURE D'INTRO (INTRO SCAN)

Vous pouvez obtenir une écoute préliminaire des 10 premières secondes de chaque plage pour vous aider à trouver rapidement et facilement la plage que vous désirez écouter. Suivez les étapes ci-dessous pour lancer la fonction de lecture Intro Scan:

1. Arrêtez la lecture en appuyant sur le bouton **STOP**.
2. Appuyez sur le bouton **MODE** jusqu'à ce que l'indication "INTRO" s'affiche sur l'écran.

3. Appuyez sur le bouton **PLAY/PAUSE**, et la fonction Intro Scan commence à partir de la première plage.
4. Pour annuler la fonction Intro Scan, appuyez sur le bouton **STOP**.

LECTURE ALÉATOIRE

Vous pouvez forcer le lecteur à jouer toutes les plages sans ordre particulier avec la fonction de lecture aléatoire (Shuffle Play). Suivez les étapes ci-dessous pour lancer la lecture aléatoire:

1. Arrêtez la lecture en appuyant sur le bouton **STOP**.
2. Appuyez sur le bouton **MODE** jusqu'à ce que l'indication "SHUFF" s'affiche sur l'écran.
3. Appuyez sur le bouton **PLAY/PAUSE**, et la lecture aléatoire commence immédiatement.
4. Pour annuler la lecture aléatoire, appuyez sur le bouton **STOP**.

LECTURE PROGRAMMÉE

Vous pouvez programmer jusqu'à 99 plages pour jouer dans n'importe quel ordre que vous choisissez. La même plage peut être programmée plus d'une fois.

MODE D'EMPLOI continué

POUR PROGRAMMER L'ORDRE DE LECTURE D'UN DISQUE CD/MP3:

CD

1. Arrêtez la lecture en appuyant sur le bouton **STOP**.
2. Appuyez sur le bouton **EQ/PROG** jusqu'à ce que l'indication "PROG" s'affiche sur l'écran ainsi que l'indication "PROGRAM: 01".
3. Appuyez à plusieurs reprises sur le bouton **SCAN UP/DOWN** pour trouver la plage à programmer.
4. Appuyez à nouveau sur le bouton **EQ/PROG** pour la sauvegarder comme "PROGRAM: 01" puis PROGRAM: 02" etc.
5. Appuyez sur le bouton **PLAY/PAUSE** pour jouer la plage programmée pendant que l'indication "PROG" est affichée sur l'écran LCD.
6. Répétez les étapes 1 à 5 pour programmer toutes les plages jusqu'à 99 plages.

MP3:

1. Arrêtez la lecture en appuyant sur le bouton **STOP**.
2. Appuyez sur le bouton **EQ/PROG** jusqu'à ce que l'indication "PROG" soit affichée sur l'écran ainsi que l'indication "PROGRAM: 01".
3. Appuyez sur le bouton **ALBUM** pour choisir le répertoire désiré.

4. Appuyez à plusieurs reprises sur le bouton **SCAN UP/DOWN** pour trouver la plage à programmer.
5. Appuyez à nouveau sur le bouton **EQ/PROG** pour la sauvegarder comme "PROGRAM: 01" puis PROGRAM: 02" etc.
6. Appuyez sur le bouton **PLAY/PAUSE** pour jouer la plage programmée pendant que l'indication "PROG" est affichée sur l'écran LCD.
7. Répétez les étapes 1 à 7 pour programmer toutes les plages jusqu'à 99 plages.

POUR LANCER LA LECTURE DANS L'ORDRE PROGRAMMÉ:

Appuyez sur le bouton **PLAY/PAUSE** pendant que l'indication "PROG" est affichée sur l'écran LCD.

Pendant la lecture, vous pouvez appuyer sur le bouton **SCAN UP/DOWN** pour sauter en avant ou en arrière, et vous pouvez aussi lancer la lecture répétée pour une ou pour toutes les plages programmées en appuyant sur le bouton **MODE**.

Après la lecture de la dernière plage programmée, le lecteur s'arrêtera automatiquement.

Pour effacer un ordre programmé:

1. Appuyez sur le bouton **STOP** pendant la lecture d'un ordre programmé, et l'indication PROG disparaîtra de l'écran, ou
2. Ouvrez le couvercle du disque en appuyant sur le bouton **OPEN**, ou
3. Débranchez l'adaptateur AC/DC pour mettre l'appareil à l'arrêt.

MODE D'EMPLOI continué

FONCTIONNEMENT DU TUNER AM/FM

ÉCOUTE DE LA RADIO

1. Appuyez sur le bouton **TUNER/BAND** pour mettre le tuner en marche. Lorsque le tuner est en marche, il commence toujours à la dernière station de radio écoutée.
2. Appuyez à plusieurs reprises sur le bouton **TUNER/BAND** pour choisir soit la bande AM ou FM.
3. Utilisez une des méthodes suivantes pour faire l'accord de la station désirée. L'écran affiche la fréquence d'accord.
 - Accord programmé: Appuyez sur l'un ou l'autre des boutons de mémoire (**Preset + et Preset-**). Lorsqu'une des stations programmées est sélectionnée, l'écran LCD affiche le numéro de canal "CHO" et la fréquence "FM---MHz/AM---KHz". Vous pouvez mettre en mémoire 20 stations pour la bande FM et 10 stations pour la bande AM.
 - Accord manuel: Appuyez sur les boutons **SCAN UP/DOWN** avec des pressions rapides et courtes pour accorder manuellement en avant ou en arrière vers la station de radio désirée.
 - Accord automatique: Appuyez sur le bouton **SCAN UP/DOWN** ou **MODE** avec une longue pression pour faire l'accord automatique en avant ou en arrière vers la prochaine station avec un fort signal de réception. Appuyez deux fois sur le bouton **EQ/PROG** ou une fois sur le bouton **STOP** pour arrêter l'accord automatique.

NOTES:

- Pour une meilleure réception FM, déployez et ajustez l'antenne FM télescopique pour une réception optimale.
- Pendant l'écoute d'une émission FM en stéréo, si le signal est suffisamment fort, l'indication "STEREO" apparaîtra sur l'écran LCD. Si la réception est faible ou parasitée, vous pouvez appuyer sur le bouton St/Mono pour mettre l'écoute de l'émission sur MONO. Lorsque MONO est sélectionné, la réception sera meilleure, et "MONO" apparaîtra sur l'écran LCD.
- Appuyez sur le bouton **STOP** pour mettre la radio à l'arrêt.

MISE EN MÉMOIRE DE STATIONS PRÉSÉLECTIONNÉES

Vous pouvez mettre en mémoire jusqu'à 20 stations FM et 10 stations AM. Suivez les étapes ci-dessous pour mettre en mémoire les stations présélectionnées:

1. Appuyez à plusieurs reprises sur le bouton **TUNER/BAND** pour choisir soit la bande AM ou FM.
2. Appuyez sur **SCAN UP/DOWN** pour sélectionner la station désirée.
3. Appuyez sur les boutons **PRESET +/PRESET -** puis choisissez la mémoire désirée avec. Une fois que la mémoire désirée est sélectionnée, appuyez sur le bouton **EQ/PROG** pour sauvegarder la mémoire.
4. Répétez les étapes 1 à 3 pour mettre d'autres stations en mémoire.

MODE D'EMPLOI continué

RETROUVER LES STATIONS PRÉSÉLECTIONNÉES

1. Appuyez sur le bouton **TUNER/BAND** pour choisir soit la bande AM ou FM.
2. Appuyez sur les boutons **PRESET+/PRESET-** pour trouver la station mise en mémoire que vous souhaitez écouter.
3. L'arrêt au réglage à l'avance la station désirée et la station commencera la pièce automatiquement.

FONCTIONNEMENT DE L'HORLOGE/ALARME

RÉGLAGE LE TEMPS ET LA DATE LOCALES

La première fois que l'appareil est branché à une source d'alimentation ou après une longue période de non-utilisation, l'écran LCD affiche "12:00 SATURDAY JAN/01/2000". Vous pouvez choisir des villes nombreuses vers le monde pour servir de votre zone de temps locale. Une fois votre temps local est réglé, le joueur peut vous dire automatiquement le temps dans les villes différentes vers le monde. Suivre les étapes au dessous de régler le temps et la date locales:

1. Appuyez pendant trois secondes sur le bouton **WORLD/LOCAL** jusqu'à ce qu'un nom de ville apparaisse sur l'écran.

2. Appuyez sur le bouton **UP/DOWN** pour sélectionner votre nom local de ville ou la zone de temps.
3. Appuyez sur le bouton **SET** pour de deux seconde pour épargner. Le nom de ville change au jour de la semaine sur l'exposition de LCD.
4. Appuyez sur le bouton **SET** encore et le nom de ville reparait. L'exposition commence à clignoter l'année.
5. Appuyez sur le bouton **UP/DOWN** pour sélectionner l'année correcte.
6. Appuyez à nouveau sur le bouton **SET** pour sauvegarder le réglage de l'année. L'affichage commence à clignoter le mois.
7. Appuyez sur le bouton **UP/DOWN** pour sélectionner le mois correct.
8. Appuyez à nouveau sur le bouton **SET** pour sauvegarder le réglage du mois. L'affichage commence à clignoter le jour.
9. Appuyez sur le bouton **UP/DOWN** pour sélectionner le jour correct.
10. Appuyez à nouveau sur le bouton **SET** pour sauvegarder le réglage de la date. L'affichage commence à clignoter l'heure.
11. Appuyez sur le bouton **UP/DOWN** pour sélectionner l'heure correcte.
12. Appuyez à nouveau sur le bouton **SET** pour sauvegarder le réglage de l'heure. L'affichage commence à clignoter la minute.
13. Appuyez sur le bouton **UP/DOWN** pour sélectionner la minute correcte.
14. Appuyez à nouveau sur le bouton **SET** pour sauvegarder le réglage de minute. L'heure et la date sont réglées.

MODE D'EMPLOI continué

LE TEMPS DE MONDE DE VUE

Pour regarder le temps de monde, la presse bouton **WORLD/LOCAL** à maintes reprises jusqu'à ce que le nom de ville désiré indique, alors le temps de monde sera montré pour à peu près 4 secondes. Le "WORLD" l'indicateur clignotera en même temps sur l'exposition.

SÉLECTION DU FORMAT HORAIRE

Ce joueur a le choix de 12 ou 24 modes d'horloge d'heure qui peut être changé quand le joueur est allumé ou de. Suivez les étapes ci-dessous pour sélectionner le format horaire:

1. Appuyez sur le bouton **SLEEP** pendant environ trois secondes, HOUR MODE apparaît sur l'écran.
2. Appuyez sur le bouton **UP/DOWN** pour sélectionner le format 12 HOUR ou 24 HOUR puis appuyez sur **SET** pour le sauvegarder.

ALARME

Réglage de l'heure d'alarme:

Suivez les étapes suivantes pour régler l'heure d'Alarm 1/Alarm 2:

1. Appuyez sur le bouton **ALARM 1/ALARM 2** pour sélectionner l'Alarme 1 ou l'Alarme 2.
2. Appuyez sur le bouton **SET** et l'indication d'heure clignote.
3. Appuyez sur le bouton **UP/DOWN** pour sélectionner le nombre d'heures désirées.

4. Appuyez à nouveau sur le bouton **SET** pour sauvegarder et l'indication de minute clignote.
5. Appuyez sur le bouton **UP/DOWN** pour sélectionner le nombre de minute désiré.
6. Appuyez à nouveau sur le bouton **SET** pour sauvegarder l'heure des minutes et l'heure de l'alarme est réglée.
7. Appuyez sur le bouton **ALARM ON/OFF** jusqu'à ce que l'ordre marche/arrêt correct soit trouvé et puis appuyez sur **SET** pour sauvegarder ou annuler. L'icône "AL 1 ou AL 2" sera affichée en conséquence sur l'écran.

NOTE: Après le réglage de l'alarme, l'écran LCD affiche le réglage pendant environ dix secondes avant de revenir à l'horloge avec l'heure locale.

ACTIVATION/DÉSACTIVATION DE L'ALARME

Suivez les étapes ci-dessous pour activer/désactiver Alarm 1/Alarm 2:

1. Appuyez une fois sur le bouton **ALARM ON/OFF** pour voir "Alarm 1" et "Alarm 2" sur l'écran.
2. Appuyez soit à plusieurs reprises sur le bouton **ALARM ON/OFF** ou appuyez sur les boutons **UP/DOWN** pour trouver la combinaison de réglage d'alarme désirée.
3. Appuyez sur **SET** pour épargner des montages ou les seulement boutons de relâchement pour épargner des montages.

MODE D'EMPLOI continué

4. Quand l'alarme semble, appuie n'importe quel bouton pour la sonnerie ou le bouton **STOP** pour l'alarme de CD/MP3 ou radio pour inactiver l'alarme. Autrement toutes alarmes automatiquement shutoff dans cinq minutes si non manuellement inactivé avant.
 - Assurez-vous que le lecteur affiche l'horloge avec l'heure locale avant d'activer les alarmes. Cela prend 5 secondes pour retourner à l'horloge avec l'heure locale après le réglage de l'horloge/alarme ou après avoir vu le réglage d'alarme.
 - Le volume de l'alarme du CD/MP3 est à un niveau d'écoute du réglage précédent. N'oubliez pas de vérifier le niveau d'écoute lors du réglage des alarmes pour vous assurer que c'est à un niveau d'écoute approprié pour une alarme.
 - Toutes les alarmes se mettent automatiquement à l'arrêt après cinq minutes si elles ne sont pas mises à l'arrêt manuellement avant cela.
 - Pour mettre les alarmes à l'arrêt avant la mise à l'arrêt automatique prévue après cinq minutes, appuyez n'importe quel bouton pour la sonnerie ou appuyez sur le bouton **_** pour l'alarme par l'écoute d'un CD/MP3 ou pour l'alarme par l'écoute de la radio.

SÉLECTION DE LA FONCTION ALARME

Par défaut, la fonction alarme est une sonnerie mais celle-ci peut être changée par l'écoute d'un CD/MP3 ou aussi bien par l'écoute de la radio.

Suivez les étapes ci-dessous pour changer la fonction d'alarme:

1. Appuyez à plusieurs reprises soit sur le bouton **ALARM MODE** ou appuyez sur les boutons **UP/DOWN** pour trouver la combinaison de la fonction d'alarme désirée.
2. Appuyez sur **SET** pour sauvegarder les réglages ou relâchez simplement les boutons pour sauvegarder les réglages.
3. Les icônes d'alarme correspondantes seront indiquées sur l'affichage.
 - Si la sonnerie (buzzer) est sélectionnée, les indications "AL 1 BUZZER" ou "AL 2 BUZZER 2" seront affichées.
 - Si la fonction d'alarme par CD/MP3/WMA est sélectionnée, l'indication "AL 1 " ou "AL 2 " sera affichée.
 - Si la fonction d'alarme par radio est sélectionnée, l'indication "AL 1 RADIO" ou "AL 2 RADIO" sera affichée.

Lorsque l'indication de fonction d'alarme désirée est affichée, arrêtez d'appuyer sur le bouton Up ou Down, et attendez pendant quelques secondes, la fonction d'alarme est réglée automatiquement, et vous pouvez aussi appuyer sur le bouton Set pour la sauvegarder dès que vous l'avez choisie .

MODE D'EMPLOI continué

AFFICHAGE DES RÉGLAGES D'ALARME

Suivez les étapes ci-dessous pour afficher les réglages de l'alarme

- Appuyez une fois sur le bouton **ALARM 1/ALARM 2**, l'écran LCD affiche le réglage alarm 1 (comprend l'heure et la fonction d'alarme) pendant environ cinq secondes avant de reprendre l'affichage de l'heure locale.
- Appuyez deux fois sur le bouton **ALARM 1/ALARM 2**, l'écran LCD affiche le réglage alarm 2 pendant environ cinq secondes avant de reprendre l'affichage de l'heure locale.
- Appuyez à plusieurs reprises sur le bouton **ALARM 1/ALARM 2** pour alterner entre les réglages de l'alarme 1 et de l'alarme 2.

FONCTION SNOOZE:

Lorsque l'alarme se met en marche, vous pouvez appuyer sur le bouton **SNOOZE** pour suspendre l'alarme pendant 5 minutes. Dans la fonction snooze, l'indication "SNOOZE" apparaît sur l'écran LCD.

7 AUTRES FONCTIONS

RÉTROÉCLAIRAGE

Le fait d'appuyer sur n'importe quel des boutons sur le lecteur allumera le rétroéclairage de l'écran LCD pendant environ 4 secondes.

FONCTION SOMMEIL (SLEEP)

La fonction Sommeil (Sleep) vous permet de régler le lecteur pour qu'il se mette automatiquement à l'arrêt après une durée prédéterminée pendant la lecture d'un disque CD/MP3 ou l'écoute de la radio. La fonction Sommeil peut être programmée pour une temporisation d'arrêt de 15, 30, 45, 60 ou 90 minutes. Suivez les étapes ci-dessous pour rendre la Fonction Sommeil active pendant que le lecteur est en marche:

1. Appuyez une fois sur le bouton **SLEEP** pour lancer la fonction sleep, et l'indication "SLEEP IN 15 MINUTES" (SOMMEIL DANS 15 MINUTES) est affichée.
2. Appuyez à plusieurs reprises sur le bouton **UP/DOWN** ou **SLEEP** pour choisir la durée de temporisation d'arrêt désirée.
3. Appuyez sur le bouton **SET** pour sauvegarder la durée de temporisation d'arrêt choisie, et l'indication "SLEEP" apparaît sur l'écran.

NOTE:

Après que le lecteur se met à l'arrêt dans la Fonction Sleep, l'indicateur SLEEP disparaît sur l'écran.

Mise à l'arrêt de la Fonction Sleep:

1. Appuyez à plusieurs reprises sur le bouton **SLEEP** jusqu'à ce que l'indication "SLEEP OFF" apparaisse sur l'écran.
2. Appuyez sur le bouton **SET** pour annuler le réglage de durée de temporisation d'arrêt. L'indication "SLEEP" disparaît sur l'écran.

RÉGLAGES DES GRAVES

Ce lecteur est équipé de trois réglages différents des graves pour une écoute optimale. Les trois réglages sont: Stéréo, TruBass, et SRS 3D. Sur le côté droit du lecteur, coulissez le commutateur linéaire des graves sur TruBass ou SRS 3D pour obtenir les effets améliorés des graves et déterminer le niveau d'écoute optimale qui vous convient. Pour le réglage "normal" sans effets améliorés des graves, placez le commutateur au milieu pour choisir le réglage Stéréo.

8 RECHERCHE DE PANNES

Avec un entretien et une utilisation appropriés, le lecteur devrait vous donner des années de fonctionnement sans problème. Cependant, s'il ne fonctionne pas correctement, utilisez ces suggestions pour voir si vous pouvez trouver et éliminer le problème. Si vous avez encore des problèmes qui persistent, contactez Etón Corporation pour obtenir l'assistance technique.

PROBLEME	CAUSE POSSIBLE	SUGGESTION
Le lecteur ne lit pas le CD/MP3/WMA.	Le disque n'est placé du côté avec l'étiquette sur le dessus. Le disque n'est pas correctement chargé.	Réinsérez le disque avec sa face imprimée sur le dessus. Chargez le disque correctement et soigneusement.
	Le disque est sale ou défectueux.	Nettoyez ou remplacez le disque CD/MP3.
	Les piles sont faibles ou vieilles.	Remplacez les piles par des neuves.
	L'adaptateur AC/DC n'est pas correctement branché.	Vérifiez et branchez correctement l'adaptateur.
Il n'y a aucun son ou le son est intermittent.	Les haut-parleurs ou les écouteurs ne sont pas correctement branchés.	Vérifiez et rebranchez correctement les fils de connexion.
	Le lecteur de CD/MP3/WMA est soumis à des vibrations ou des chocs excessifs.	Placez le lecteur sur une surface stable.
La réception du signal de la radio est faible et a des distorsions.	La fréquence des stations de radio n'est pas bien réglée.	Réglez à nouveau soigneusement la fréquence des stations de radio.
	L'antenne n'est pas correctement ajustée.	Ajustez l'antenne FM télescopique pour trouver la réception optimale.

9 SOIN ET ENTRETIEN

Suivez les suggestions ci-dessous pour prendre bien soin de votre lecteur et pour l'entretenir:

- Ne le faites pas tomber dans l'eau et évitez de l'éclabousser. Essayez-le immédiatement s'il entre en contact avec un liquide. Les liquides peuvent contenir des minéraux qui peuvent corroder les circuits électroniques.
- Utilisez et rangez le lecteur seulement dans des endroits dont la température ambiante est normale. Des températures extrêmes peuvent raccourcir la durée de vie des appareils électroniques, endommager les piles et déformer ou faire fondre les pièces en matière plastique.
- Gardez le lecteur à l'abri de la poussière et de la saleté qui peuvent causer une usure prématurée des pièces.
- Manipulez le lecteur avec soin et en douceur. S'il tombe, ses circuits électroniques peuvent être endommagés et provoquer une panne.
- Utilisez uniquement des piles neuves de la taille correcte et du type recommandé. Des piles usées peuvent fuir et libérer des produits chimiques qui abîmeront les pièces électroniques du lecteur.
- Essayez de temps en temps le lecteur avec un chiffon humide pour en préserver l'apparence neuve. N'utilisez pas de produits chimiques abrasifs, de solvants de nettoyage ni des détergents puissants mais du savon doux et de l'eau.

- La modification ou l'altération des composants internes du lecteur peut causer une panne du lecteur et annulera sa garantie.

CONSEILS D'ENTRETIEN DES DISQUES CD/MP3

Bien que les disques CD/MP3 soient très durables, suivez les suggestions ci-dessous pour obtenir une performance optimale:

- Gardez les disques à l'intérieur du lecteur ou dans leur boîtier ou étui de protection lorsqu'ils ne sont pas utilisés.
- Tenez les disques par leurs bords afin d'éviter de laisser des empreintes qui pourraient causer des coupures ou des distorsions de son.
- N'écrivez pas sur la face du disque qui ne porte pas d'étiquette.
- Gardez les disques au sec car une goutte d'humidité peut agir comme une lentille et causer des coupures ou des distorsions de son.
- N'utilisez jamais de produits chimiques tels que des produits de nettoyage en bombe pour microsillons, des produits antistatiques en aérosol ou liquides, du benzène ou des diluants pour nettoyer les disques puisqu'ils peuvent endommager de manière permanente la surface en plastique.

CONSIGNES DE SÉCURITÉ IMPORTANTES

WARNING

- AFIN DE PRÉVENIR LES RISQUES D'INCENDIE OU DE CHOC ÉLECTRIQUE, NE PAS UTILISER CETTE FICHE AVEC UNE RALLONGE ÉLECTRIQUE, UNE PRISE MURALE OU AUTRE PRISE À MOINS QUE LES LAMES SOIENT COMPLÈTEMENT INSÉRÉES POUR ÉVITER D'EXPOSER LES LAMES.
- AFIN DE PRÉVENIR LE RISQUE D'INCENDIE OU DE CHOC ÉLECTRIQUE, NE PAS EXPOSER CET APPAREIL ÉLECTRIQUE À LA PLUIE OU À L'HUMIDITÉ.



The lightning flash with arrowhead symbol within an equilateral triangle is intended to alert the user to the presence of uninsulated "dangerous voltage" within the product's enclosure that may be of sufficient magnitude to constitute a risk of electric shock to persons.

CAUTION

RISK OF ELECTRIC SHOCK DO NOT OPEN

CAUTION: TO REDUCE THE RISK OF ELECTRIC SHOCK, DO NOT REMOVE COVER (OR BACK). NO USER SERVICEABLE PARTS INSIDE. REFER SERVICING TO QUALIFIED SERVICE PERSONNEL.



The exclamation point within an equilateral triangle is intended to alert the user to the presence of important operating and maintenance (servicing) instructions in the literature accompanying the product.

RISK OF ELECTRIC SHOCK / DO NOT OPEN

1. Veuillez lire toutes les instructions de sécurité et de fonctionnement avant d'utiliser ce produit.
2. Veuillez conserver les instructions de sécurité et de fonctionnement pour pouvoir vous y reporter ultérieurement.
3. Respectez tous les avertissements figurant sur l'appareil électrique et dans les instructions de fonctionnement.
4. Suivez toutes les instructions relatives au fonctionnement et à l'utilisation.
5. N'utilisez pas cet appareil électrique à proximité de l'eau.
6. Nettoyez seulement avec un chiffon sec.
7. Ne pas obstruer les orifices de ventilation. Installez conformément aux instructions du fabricant.
8. N'installez pas cet appareil électrique à proximité de toute source de chaleur tels que radiateurs, chauffages, poêles ou autres appareils électriques (y compris des amplificateurs) qui produisent de la chaleur.
9. Ne tentez pas de déjouer le dispositif de sécurité de raccordement à la masse ou de polarité. Une fiche polarisée à deux lames dont une plus large que l'autre. Une fiche de terre à deux lames et une troisième broche pour la mise à la terre. La lame large ou la troisième broche est fournie pour votre sécurité. Si la fiche fournie ne rentre pas dans votre prise secteur, consultez un électricien pour le remplacement de la prise périmée.
Attention: Afin de prévenir le risque de choc électrique, faites correspondre la lame large de la fiche avec la fente large de manière qu'elle soit complètement insérée.
10. Protégez le cordon d'alimentation afin qu'on ne puisse pas marcher dessus ni l'écraser, en particulier au niveau des fiches, des prises murales, et à la sortie de l'appareil électrique.
11. Utilisez seulement des pièces/accessoires spécifiées par le fabricant.
12. Débranchez cet appareil durant les orages ou lorsqu'il n'est pas utilisé pendant de longues périodes.
13. Tout service doit être confié à un réparateur agréé. Le service est exigé lorsque l'appareil a été endommagé d'une manière ou d'une autre, tel que le cordon d'alimentation ou la fiche est endommagée, un liquide a été répandu ou des objets sont tombés dans l'appareil, l'appareil a été exposé à la pluie ou à l'humidité, l'appareil ne fonctionne pas normalement, or il est tombé.

Cet appareil électrique ne doit pas être exposé à l'écoulement ou l'éclaboussement d'eau et aucun objet rempli de liquide tels que des vases ne doit être placé sur l'appareil.

11 CARACTÉRISTIQUES TECHNIQUES

Réponse en fréquence (+/-4dB).....	20-20.000 Hz
Fréquence d'échantillonnage	44,1 kHz
Suréchantillonnage	8 fois
Longueur d'onde.....	780 nm
Fréquence radio – FM	(pour les États-Unis) 87,5-107,9 MHz (0,2 MHz par incrément) (pour l'Europe) 87,5–108MHz
Fréquence radio – AM	(pour les États-Unis) 530---1710KHz et incrément de 10KHz (pour l'Europe) 531–1602KHz
Alimentation	Quatre piles AA alcalines Adaptateur AC/DC (DC 7,5V, 800mA)
Puissance de sortie	600mW
Dimensions (Hauteur, largeur, profondeur)	38 x 145 x 169.4mm
Poids (sans piles)	0,52kg

12 RENSEIGNEMENTS SUR LES SERVICES

Pour obtenir de plus amples renseignements vous pouvez contacter le Service des réparations de Etón:

customersvc@etoncorp.com

Veillez nous contacter pour obtenir un Numéro d'autorisation de retour avant d'expédier votre appareil. Si vous voulez renvoyer votre appareil pour le faire réparer, emballez soigneusement le récepteur en utilisant sa boîte d'origine ou une autre boîte appropriée. Inscrivez lisiblement votre adresse de retour sur la boîte d'expédition et sur la lettre jointe qui décrit la réparation nécessaire, les symptômes ou les problèmes. Veuillez inclure aussi le numéro de téléphone où l'on peut vous joindre pendant la journée, ainsi qu'une copie de votre preuve d'achat. Le récepteur sera réparé selon les modalités de la Garantie limitée de Etón et vous sera retourné.

13 LA GARANTIE LIMITÉE DE UN AN

Etón garantit à l'acheteur initial que ce produit sera exempt de tout défaut de matériau ou de main-d'oeuvre pendant une année à partir de la date de l'achat initial.

Pendant la durée de la garantie, Etón ou un centre accrédité de réparation Etón fournira, gratuitement, les pièces et la main-d'oeuvre nécessaires pour corriger les vices de matériau et de main-d'oeuvre. En outre, Etón peut choisir de remplacer un appareil défectueux.

1. Remplissez et envoyez la Fiche d'enregistrement de la garantie dans les dix (10) jours qui suivent la date de l'achat.
2. Appelez Etón ou le centre accrédité de réparation le plus proche, aussitôt que possible après la découverte d'une possibilité de vice. Soyez prêt à donner :
 - a. le numéro de modèle et le numéro de série.
 - b. le nom du revendeur et la date approximative de l'achat.
 - c. une description détaillée du problème, y compris les détails sur les branchements électriques à l'équipement associé et la liste de cet équipement.

3. Etón vous donnera un numéro d'Autorisation de retour et l'adresse à laquelle vous pouvez envoyer l'appareil. Envoyez l'appareil dans sa boîte d'origine ou une boîte équivalente, entièrement assuré et les frais de port payés à l'avance.

Un entretien, des réparations et une utilisation corrects sont importants pour obtenir un bon fonctionnement de ce produit. Veuillez donc lire soigneusement ce Mode d'emploi. Cette garantie ne s'applique pas aux défauts qui, selon l'évaluation de Etón, ont été provoqués par :

1. un entretien ou des réparations incorrects, y compris l'installation de pièces ou d'accessoires qui ne sont pas conformes à la qualité et aux spécifications des pièces d'origine.
2. une utilisation incorrecte, abusive ou négligente, ou une installation incorrecte.
3. des dégâts accidentels ou intentionnels.
4. une fuite des piles.

Toutes les garanties implicites, le cas échéant, y compris les garanties de valeur marchande et d'aptitude à une utilisation particulière, cessent une (1) année après la date de l'achat initial.

LA GARANTIE LIMITÉE DE UN AN continué

Ce qui précède constitue l'ensemble des obligations de Etón envers ce produit, et l'acheteur initial n'aura aucun autre recours ni réclamation pour des dommages indirects ou consécutifs, des pertes ou des dépenses. Certains états n'autorisent aucune limitation sur la durée d'une garantie implicite ou ne permettent pas les exclusions ou les limitations sur les dommages indirects ou consécutifs, et donc les limitations et exclusions ci-dessus peuvent ne pas s'appliquer à vous.

Cette garantie vous donne des droits juridiques précis, et vous pouvez également avoir d'autres droits qui varient d'état en état.

POUR OBTENIR DE PLUS AMPLES RENSEIGNEMENTS SUR LES SERVICES, CONTACTEZ :

Etón Corporation
www.etoncorp.com



SIE BENÖTIGEN HILFE? Hier ist, wie uns zu berühren:

- From the United States: (800) 872-2228
- From Canada: (800) 637-1648
- From Everywhere Else: (650) 903-3866
- Email: customersvc@etonicorp.com
- Internet: www.etonicorp.com

INHALTSVERZEICHNIS

1	INHALTSVERZEICHNIS	59	• BEDIENUNGSANLEITUNG:	
2	FUNKTIONEN	60	UKW/MW-TUNER	73
3	EINFÜHRUNG		- Radioempfang	73
	• Positionen der Bedienelemente	62	- Sender speichern	74
	• LCD-Anzeige	64	- Gespeicherte Sender abrufen	74
4	INSTALLATION UND ANSCHLÜSSE	66	• BEDIENUNGSANLEITUNG: UHR/WECKER..	75
	• Anschluss der Lautsprecher	66	- Ortszeit und datum einstellen	75
	• Anschluss der Kopfhörer	66	- Weltzeit einstellen	75
5	STROMVERSORGUNG.....	67	- Stundenformat wählen	76
	• Batterien.....	67	- Weckzeit einstellen	76
	• WS/GS-Netzteil	67	- Weckezeit aktivieren bzw. deaktivieren	77
6	BEDIENUNGSANLEITUNG.....	68	- Einstellen des Weckmodus	77
	• Bedienung des CD/MP3-Players	68	- Weckeinstellungen ansehen	78
	- CDs einlegen	68	- Snooze-Modus (Schlummerfunktion)	78
	- CDs abspielen	68	7 ANDERE FUNKTIONE.....	79
	- Sekunden lang auf. anti-schock-system (ESP)	68	• Hintergrundlicht	79
	- Einstellen der Lautstärke	69	• Einschlafzeit-Automatik (Sleep)	79
	- Equalizer	69	• Bass-Einstellungen	79
	- Pause (Wiedergabe)	69	8 FEHLERSUCHE	80
	- Stopp (Wiedergabe)	69	9 PFLEGE UND WARTUNG.....	81
	- Wiedergabe abbrechen	70	• Tipps zur Wartung der CD/MP3-CDs	81
	- Skip Search	70	10 WICHTIGE SICHERHEITSHINWEISE	82
	- Einen Track Bsetimmen CD	71	11 TECHNISCHE DATEN	83
	- Wiederholfunktion (Repeat)	71	12 INFORMATIONEN ZUR WARTUNG	84
	- Intro Scan	71	13 EINJÄHRIGE BEGRENZTE GARANTIE	85
	- Shuffle Play (Zufallswiedergabe)	71		
	- Programmierte Wiedergabe	72		

2 FUNKTIONEN

DAS EGO 4000 PLUS CD/MP3/AM/FM REISE-UHREN-RADIO VERFÜGT ÜBER DIE FOLGENDEN HAUPTFUNKTIONEN:

CD/MP3-PLAYER:

- **Anti-Schock-System (ESP)** – speichert 40 Sekunden der CD-Daten und 120 Sekunden der MP3-Daten, so dass eine ununterbrochene Wiedergabe gewährleistet ist, selbst, wenn der Player Schocks oder Vibrationen unterworfen ist.
- **MP3-ID-Tag-Anzeige** – zeigt auf MP3-CDs den Namen des Interpreten und den aufgenommenen Track an
- **Programmierbare Wiedergabe** – es können bis zu 99 Tracks programmiert und in einer gewählten Reihenfolge wiedergegeben werden
- **Wiederholfunktion (Repeat)** – wiederholt automatisch einen einzelnen Track, ein Verzeichnis (für MP3s) oder eine ganze CD
- **Intro Scan** – es können Tracks gesucht oder kurz geprüft werden, indem automatisch die ersten 10 Sekunden jeden Tracks wiedergegeben werden
- **Shuffle Play** – Zufallswiedergabe der Tracks einer CD/MP3
- **EQ** – Wahl zwischen den Klangeffekten DBB, POP, JAZZ, CLASSIC, DISCO oder NORMAL, je nach eigenen Stilvorstellungen oder Musik
- **Skip Search** – schnelles Finden und Wiedergeben eines beliebigen Tracks auf einer CD/MP3
- **Audiosuche** – Finden eines bestimmten Abschnitts in eines Tracks durch schnelles Abspielen
- **Pause und Einstellen** – vorübergehendes Stoppen der Wiedergabe oder Einstellen eines Tracks für später
- **Automatische Abschaltfunktion** – schaltet den Player automatisch ab, damit die Batterien geschont werden
- **Kompatibel für 3-Inch CDs** – kann 3-Inch CD/MP3s abspielen
- **Kompatibel für CD-R/CD-RW** – kann CD-Rs und CD-RWs abspielen
- **UKW/MW-Tuner**
- **UKW/MW- Sendervoreinstellung** – Eingabe von bis zu 20 UKW- und 10 MW- Sendern in den Speicher, so dass Lieblingssender schnell gefunden werden können
- **Automatische Sendersuche** – schnelle Suche vor- und rückwärts bis zum nächsten gut empfangenen Sender
- **Teleskopische UKW-Antenne** – zum optimalen UKW-Empfang wird die Antenne ausgezogen und ausgerichtet
- **Speichern des letzten Senders** – beim Einschalten ist der zuletzt empfangene Sender eingestellt

- **Schalter Stereo/Mono** – beim Empfang von UKW kann zwischen dem Stereo- und Mono-Modus gewählt werden
- **Gebietswahl** – zum Empfang von Radiosendern in dem jeweiligen Gebiet kann zwischen den USA und Europa gewählt werden

FORTSETZUNG


WECKER:

- **Modi Ortszeit / Weltzeit** – in Städten der ganzen Welt kann zwischen der Ortszeit und der Weltzeit gewählt werden
- **Modi 12- / 24-Stunden** – es kann zwischen dem 12-Stunden- und dem 24-Stunden-Modus gewählt werden
- **Dual-Weckfunktion** – es können zwei Weckzeiten eingestellt werden. Das Wecken kann mit dem Radio, der CD oder einem Weckton erfolgen
- **Schlummerfunktion (Snooze)** – 5 Minuten zusätzlichen Schlafs, bevor sich der Wecker erneut einschaltet
- **Einschlafzeit-Automatik (Sleep)** – die Einschlafzeit-Automatik schaltet den Player automatisch nach 15 bis 90 Minuten ab
- **Anzeige für geringe Batteriespannung** – erinnert daran, leere Batterien zu ersetzen

ALLGEMEIN:

- **Abnehmbare Stereo-Lautsprecher** – die Qualitätslautsprecherboxen können für beste Hörresultate und Leistung abgenommen und nach Belieben aufgestellt werden
- **SRS Audio Process** – bewirkt einen realistischen Umgebungsklang, tiefe volle Bässe und eine breitere dreidimensionale Klangleistung
- **Beleuchtete Multifunktions-LCD-Anzeige** – LCD mit blauer Hintergrundbeleuchtung und großer Punktmatrix, so dass der Systemstatus und die Uhr bei geringem Licht gesehen werden können
- **Zwei Stromquellen** – das Gerät kann mit 4 AA-Batterien oder dem mitgelieferten WS/GS-Netzteil (GS 7,5 V 8000 mA) betrieben werden
- **Automatische Abschaltfunktion** – schaltet den Player automatisch ab, damit die Batterien geschont werden

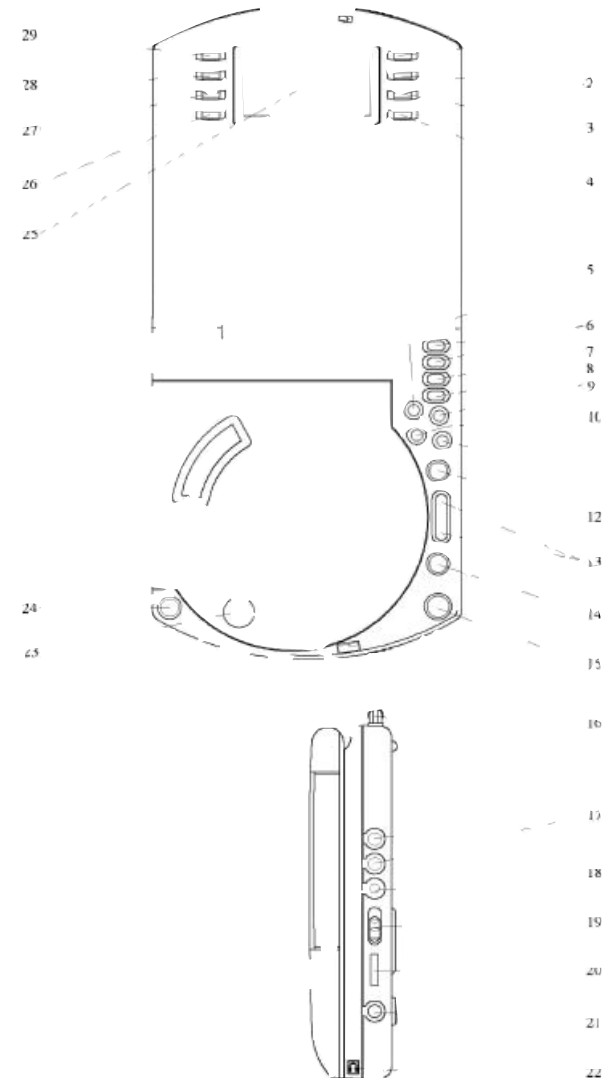


“WOW”, SRS und das Symbol  sind Markenzeichen von SRS Labs, Inc. “WOW”-Technologie ist unter der Lizenz von SRS Labs, Inc. eingetragen.

3 EINFÜHRUNG

POSITIONEN DER BEDIENELEMENTE

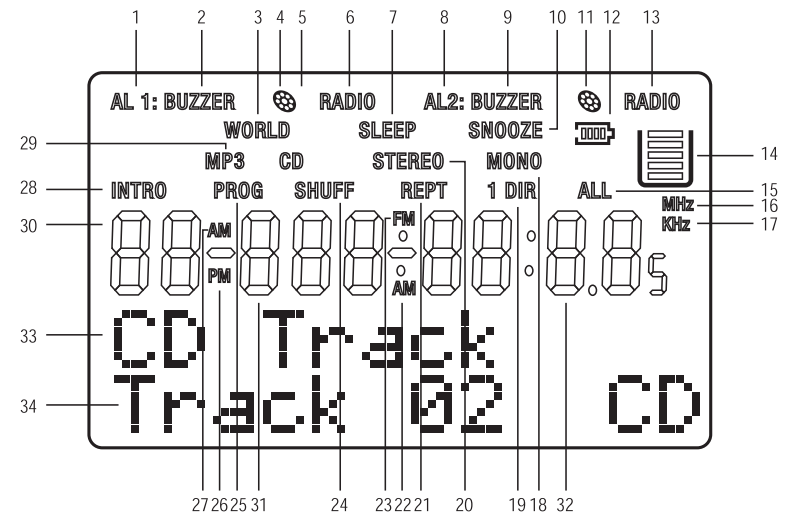
- 1 **World/Local (Welt-/ Ortszeit)** – Anzeige der aktuellen Orts- oder Weltzeit
- 2 **Set** – Einstellen der Welt- oder Ortszeit oder des Weckers
- 3-4 **Up/Down** – zum Einstellen der gewünschten Zeit, des Datums oder des Weckmodus beim Stellen der Uhr oder des Weckers
- 5 **SAS/+10** – wird beim Abspielen einer CD gedrückt, um das ESP ein- oder auszuschalten; beim Abspielen einer MP3 auf diese Taste drücken, um 10+ Tracks zu überspringen
- 6 **Preset (Voreinstellung) +/-** – zur Wahl von voreingestellten Radiosendern
- 7 **St/Mono** – zur Wahl des Stereo- bzw. Monokanals in UKW
- 8 **Album** – zur Suche im Verzeichnis einer MP3; im Tuner-Modus zum Ändern des Radiogebiets (3 Sekunden lang drücken)
- 9 **EQ/Prog** – beim Abspielen von CDs/MP3s drücken, um die gewünschten EQ-Einstellungen zu wählen (DBB, POP, JAZZ, CLASSIC, DISCO, NORMAL); wenn keine CD/MP3 abgespielt wird, wird durch das Drücken auf diese Taste die CD/MP3-Abspielreihenfolge programmiert; im Tuner-Modus, werden die Radiosender in den Speicher eingegeben
- 10 **Tuner/Band** – Umschalten zwischen UKW und MW
- 11 **Modus** – beim Abspielen einer CD, wird durch das Drücken auf diese Taste der Repeat-Modus für einen oder alle Tracks eingestellt; beim Abspielen einer MP3 wird der Repeat-Modus für einen Track, ein Verzeichnis oder alle Tracks eingestellt; wenn keine CD/MP3 abgespielt wird, wird durch das Drücken auf diese Taste die Intro- oder Shuff/Random-Wiedergabe eingestellt
- 12 **Play/Pause** – zum Anhalten (Pause) oder Abspielen der CD/MP3 drücken
- 13 **Scan Up/Down** – durch Drücken auf diese Taste werden CD/MP3 -Tracks oder Verzeichnisse übersprungen und gesucht; im Tuner-Modus werden gewünschte Radiosender gesucht oder Sender automatisch abgesehen
- 14 **14 Stopp** – zum Anhalten der CD/MP3 drücken; im Tuner-Modus, zum Ausschalten drücken
- 15 **15 Snooze (Schlummerfunktion)** – wenn der Wecker aktiviert ist, drücken, um 5 Minuten weiterschlafen zu können, bei deaktivierten Alarm auf diese Taste drücken, um die LCD-Hintergrundbeleuchtung kurz einzuschalten
- 16 **16 Teleskopische UKW-Antenne** – zum optimalen UKW-Empfang wird die Antenne ausgezogen und ausgerichtet
- 17 **17 Lautsprecherbuchsen** – zum Anschluss der Lautsprecherkabel der abnehmbaren Lautsprechern
- 18 **18 GS-Buchse** – zum Anschluss des WS/GS-Netzteils
- 19 **19 Bass-Wahl**– zur Wahl von TruBass, Stereo, oder SRS 3D-Basseinstellung
- 20 **20 Lautstärke** – zum Einstellen der Lautstärke
- 21 **21 Kopfhörerbuchse** – zum Anschluss der Stereokopfhörer
- 22 **22 Player öffnen** – zum Öffnen des Players, den Knopf in Pfeilrichtung schieben
- 23 **23 Deckel schließen** – zum Schließen des Deckels nach dem Einlegen einer CD/MP3-CD
- 24 **24 Deckel öffnen** – zum Öffnen des Deckes nach dem Einlegen einer CD/MP3-CD
- 25 **25 LCD-Anzeige** – Anzeige des Player-Status und der Uhr
- 26 **26 Wecker Ein/Aus** – zum Ein- bzw. Ausschalten aller Weckzeiten
- 27 **27 Alarm 1/ Alarm 2** – zum Einstellen von Weckzeit 1 / Weckzeit 2 oder zum Ansehen der voreingestellten Weckzeit 1 / Weckzeit 2
- 28 **28 Weckmodus** – zum aktivieren der Weckzeiten
- 29 **29 Sleep (Einschlafzeit-Automatik)** – zum Einstellen der Einschlafzeit auf 15, 30, 45, 60, oder 90 Minuten



EINFÜHRUNG fortgesetzt

LCD-ANZEIGE

- 1 **AL 1** – zeigt an wenn Weckzeit 1 (ALARM 1) aktiviert ist
- 2/9 **BUZZER (Weckton)** – zeigt an, wenn für Weckzeit 1 / Weckzeit 2 der Weckton aktiviert ist
- 3 **WORLD (Welt)** – erscheint beim Stellen oder Ansehen der Weltzeit
- 4/11 **CD-Symbol** – zeigt an, wenn für die Weckzeit 1 / Weckzeit 2 der CD-Modus eingestellt ist
- 5 **CD** – zeigt an, wenn eine CD abgespielt wird
- 6/13 **RADIO** – zeigt an, wenn für die Weckzeit 1 / Weckzeit 2 der Radio-Modus eingestellt ist
- 7 **SLEEP (Einschlafzeit-Automatik)** – zeigt an, wenn die Einschlafzeit-Automatik aktiviert ist
- 8 **AL 2** – zeigt an wenn die Weckzeit 2 (ALARM 2) aktiviert ist
- 10 **10 SNOOZE (Schlummerfunktion)** – zeigt an, wenn nach den Einschalten des Weckers die Schlummerfunktion aktiviert wurde
- 12 **Batterieanzeige** – zeigt an, wenn die Batterie geladen ist und blinkt bei schwacher Batterie
- 14 **ESP-Anzeige** – zeigt den Speicher an, der beim Abspielen einer CD/MP3 verwendet bzw. eingegeben wird
- 15 **ALL** – zeigt beim Abspielen einer CD/MP3 den Modus ‚Repeat ALL Tracks‘ (alle Tracks wiederholen) an
- 16 **MHz** – zeigt die UKW-Frequenz an
- 17 **kHz** – zeigt die MW-Frequenz an
- 18 **MONO** – zeigt an, dass sich der Tuner im MONO-Modus befindet
- 19 **DIR** – zeigt beim Abspielen einer CD/MP3 den Modus Repeat DIRECTORY (Verzeichnis wiederholen) an
- 20 **STEREO** – zeigt an, dass sich der Tuner im STEREO-Modus befindet
- 21 **REPT 1** – zeigt beim Abspielen einer CD/MP3 den Modus ‚Repeat ONE Track‘ (einen Track wiederholen) an
- 22 **AM (MW)** – zeigt an, dass das Radio auf MW eingestellt ist
- 23 **FM** – zeigt an, dass das Radio auf UKW eingestellt ist
- 24 **SHUFF** – zeigt beim Abspielen einer CD/MP3 den Random-Modus (Zufallswiedergabe) an
- 25 **PROG** – wird beim Programmieren einer CD/MP3 –Sequenz oder beim Abspielen der programmierten Tracks angezeigt
- 26 **PM** – zeigt beim Stellen der Uhr den Nachmittag (PM) an
- 27 **AM** – zeigt beim Stellen der Uhr den Vormittag (AM) an
- 28 **INTRO** – zeigt an, wenn Intro Scan aktiviert ist
- 29 **MP3** – zeigt an, wenn eine MP3-CD gespielt wird
- 30 **Verzeichnis für CDs/MP3s**
- 31 **Track für CDs/MP3s**
- 32 **Zeit/Verstrichene Zeit für CDs/MP3s**
- 33 **Wochentag/Namen des Albums für MP3s/CD-Anzeige**
- 34 **Datum/Stück, Interpret und Abtastfrequenz für MP3s / Track und Abtastfrequenz für CDs**



4 INSTALLATION UND ANSCHLÜSSE

ANSCHLUSS DER LAUTSPRECHER

Der Player wird mit zwei passenden Lautsprechern geliefert, die abgenommen werden können. Beim Spielen des Players können die Lautsprecher am Deckel befestigt sein oder abgenommen werden. Die Lautsprecher können aus dem Deckel genommen und an einer beliebigen Stelle aufgestellt werden. Die nötigen Anschlusskabel werden mitgeliefert. Beim Anschließen der Lautsprecher, diesen Schritten folgen:

1. Um die Lautsprecher aus dem Deckel schieben zu können, vorsichtig nach unten drücken.
2. Ein Ende des mitgelieferten Verbindungskabels mit der Buchse am Lautsprecher verbinden, das andere in die Buchse SPEAKER L oder R auf der rechten Seite des Players einstecken.
3. Die integrierten Lautsprecherständer zur besseren Stabilität ausklappen und die Lautsprecher an einem beliebigen Ort aufstellen, soweit es die Länge des Verbindungskabels erlaubt.

ANSCHLUSS DES KOPFHÖRERES

Mit einem Stereo-Kopfhörer oder Ohrsteckern mit einem 3,5 mm-Stecker, der in die Kopfhörerbuchse auf der rechten Seite des Players eingesteckt wird, kann der Player auch gehört werden, ohne andere zu stören.

SICHERHEITSHINWEISE

Zum Schutz des Gehörs beim Einsatz von Kopfhörern oder Ohrsteckern die folgenden Richtlinien beachten:

- Die Lautstärke so niedrig wie möglich einstellen, bevor das Gerät eingestellt wird. Während des Hörens die Lautstärke auf ein angenehmes Niveau erhöhen.
- Beim Radio- oder Musikhören keine extrem hohen Lautstärken einstellen. Anhaltendes Hören bei hohen Lautstärken kann zu permanenten Gehörschäden führen.
- Wenn eine angenehme Lautstärke gefunden wurde, diese nicht mehr erhöhen. Mit der Zeit gewöhnt sich das Ohr an Lautstärken. Eine Lautstärke, die nicht unangenehm ist, kann also dennoch zu Gehörschäden führen.

VERKEHRSSICHERHEIT

Beim Führen eines Kraftfahrzeugs oder dem Fahren eines Fahrrads keine Kopfhörer oder Ohrstecker tragen. Dies kann zu Verkehrgefährdungen führen und ist in manchen Gebieten illegal. Obwohl manche Kopfhörer oder Ohrstecker bei normaler Lautstärke das Hören von Außengeräuschen zulassen, können sie dennoch eine Verkehrsgefährdung darstellen.

5 STROMZUFUHR

Die Stromzufuhr für den Player kann aus einer der folgenden Quellen erfolgen:

- 4 AA-Alkalibatterien
- Standard Wechselstrom unter Verwendung eines WS/GS-Netzteils (GS 7,5 V, 800 mA)

EINSETZEN DER BATTERIEN

Beim Einsetzen der Batterien diesen Schritten folgen:

1. Die Batteriefachabdeckung nach unten drücken, in Richtung des auf der Abdeckung abgebildeten Pfeils schieben und anheben.
2. Vier AA-Batterien in das Fach einlegen. Dabei die im Batteriefach abgebildeten Polaritätssymbole (+ und -) beachten.
3. Die Abdeckung wieder schließen.

VORSICHT:

- Immer neue Batterien der vom Hersteller angegebenen Größe verwenden. Keine alten Batterien zusammen mit neuen verwenden und niemals Batterien von verschiedenen Marken oder Typen oder wiederaufladbare Batterien mit verschiedenen Kapazitäten kombinieren.
- Wenn der Player ungefähr einen Monat lang oder länger nicht mit Batterien betrieben werden soll oder wenn nur das WS/GS-Netzteil eingesetzt werden soll, die Batterien herausnehmen. Nicht gebrauchte Batterien können auslaufen und Chemikalien freisetzen, die die elektronischen Teile im Player zerstören.

ANMERKUNG:

- Wenn auf der Anzeige das Batteriesymbol blinkt, die Batterien ersetzen, da dann der Klang verzerrt oder die Lautstärke schwächer werden könnte.
- Wenn die Batterien herausgenommen werden, wird die Zeiteinstellung 3 Minuten lang im Speicher festgehalten. Die Batterien bitte schnell ersetzen, damit sich die Uhr nicht zurücksetzt.
- Die alten Batterien sofort und ordnungsgemäß entsorgen. Batterien nicht verbrennen oder vergraben.

WS/GS-NETZTEIL

Das Gerät kann über eine normale Wechselstrom-Steckdose betrieben werden, wenn das mitgelieferte WS/GS-Netzteil (GS 7,5 V, 800 mA) verwendet wird

Zum Anschluss des WS/GS-Netzteils an den Player, diesen Schritten folgen:

1. Den Stecker des WS/GS-Netzteils in die Buchse "DC IN 7.5V" auf der rechten Seite des Players einstecken.
2. Das WS/GS-Netzteil in eine normale Steckdose einstecken.

VORSICHT:

Wenn das WS/GS-Netzteil nicht mehr gebraucht wird, dieses erst von der WS-Stromquelle trennen und dann aus dem Gerät ziehen.

ANMERKUNG:

Wenn das WS/GS-Netzteil an das Gerät angeschlossen ist, wird die Verbindung der eingesetzten Batterien automatisch getrennt.

6 BEDIENUNGSANLEITUNG

BEDIENUNGSANLEITUNG: CD/MP3

CDS EINLEGEN

1. Zum Öffnen des Players den Knopf **OPEN PLAYER** (Player öffnen) in Pfeilrichtung schieben.
2. Auf die Taste **OPEN LID** (Deckel öffnen) in der linken unteren Ecke des Players drücken, um den Deckel für die CDs zu öffnen.
3. Die CD an den Kanten anfassen und vorsichtig in das CD/MP3-Fach einlegen. Fest auf den CD-Stift auflegen. Das Etikett der CD/MP3 muss nach oben zeigen.
4. Die Stelle **CLOSE LID** (Deckel schließen) auf dem CD-Deckel drücken, um die CD/MP3 bei der Wiedergabe gut zu schützen.

CD ABSPIELEN

Auf die Taste **PLAY/PAUSE** drücken. Der Player beginnt, die Informationen von der eingelegten CD abzulesen. Auf der LCD-Anzeige erscheint "READING" (Ablesen).

- Wenn eine CD abgespielt wird, erscheint auf der LCD-Anzeige "CD Track", die Tracknummer und die verstrichene Zeit, wobei die Wiedergabefrequenz im unteren Teil der Anzeige zu sehen ist. In der LCD-Anzeige sind auch die CD- und ESP-Anzeigen zu sehen.

- Wenn eine MP3 abgespielt wird, zeigt die LCD-Anzeige die Verzeichnisnummer, die Tracknummer, die verstrichene Zeit, den Interpreten und den Track-Titel, wobei die Wiedergabefrequenz im unteren Teil der Anzeige zu sehen ist. Die Wiedergabe beginnt mit dem ersten Track des ersten Verzeichnisses. In der LCD-Anzeige sind auch die MP3- und ESP-Anzeigen zu sehen.

ANMERKUNG: Wenn eine der Bedientasten gedrückt wird, leuchtet die Hintergrundbeleuchtung der LCD ungefähr 4

SEKUNDEN LANG AUF ANTI-SCHOCK-SYSTEM (ESP)

Dieser Player verfügt über spezielle Schaltkreise, über die Musik in einem Speicher aufbewahrt und dann von diesem Speicher aus abgespielt wird, wodurch ein Springen vermieden wird. Für CDs fasst der Speicher 40 Sekunden Wiedergabe. Für MP3s fasst er 120 Sekunden Wiedergabe.

Das ESP-System wird automatisch eingeschaltet, wenn auf die Taste **PLAY/PAUSE** gedrückt wird. Das ESP-Symbol erscheint auf der LCD-Anzeige und zeigt die Speichermenge an, die von dem Player gespeichert oder verwendet wird. Es ist zu beachten, dass die Speichermenge während der Wiedergabe zu- und abnimmt.

BEDIENUNGSANLEITUNG fortgesetzt

Bei der Wiedergabe einer CD kann auf die Taste **SAS/+10** gedrückt werden, um das ESP-System abzuschalten. Dies kann auf der LCD-Anzeige gesehen werden. Um die ESP-Funktion wieder einzuschalten, erneut auf diese Taste drücken und auf die ESP-Anzeige auf der LCD achten.

Bei der Wiedergabe von MP3s kann das ESP nicht ausgeschaltet werden. Es ist zu beachten, dass sich MP3s im Player nicht drehen, wenn sie vom ESP-Speicher abgespielt werden. Beim Abspielen von MP3s drehen sich die CDs nur, wenn der Player die CD abliest um sie in den Speicher einzugeben. Das ESP-Symbol zeigt die Änderungen in der Speichermenge an, während der Player diesen Prozess durchführt.

EINSTELLEN DER LAUTSTÄRKE

Den Knopf **VOLUME** (Lautstärke) drehen, der auf der rechten Seite des Players gezeigt wird, bis eine angenehme Lautstärke eingestellt ist.

EQUALIZER

Beim Abspielen von CDs/MP3s kann auf die Taste **EQ/PROG** gedrückt werden, um einen vor-eingestellten Equalizer-Effekt zur Verbesserung der Musikqualität zu wählen. Die fünf Einstellungen sind: **DBB**, **POP**, **JAZZ**, **CLASSIC**, oder **DISCO**. Jeder Druck auf die Taste **EQ/PROG**.

ändert die Einstellung. Wenn kein Equalizer-Effekt gewünscht ist, die Einstellung "NORMAL" wählen.

ANMERKUNG: Die EQ-Funktion ist nur für die CD/MP3-Wiedergabe vorhanden.

PAUSE (WIEDERGABE)

Um den Player vorübergehend anzuhalten, auf die Taste **PLAY/PAUSE** drücken. Auf der LCD-Anzeige blinkt die Angabe der verstrichenen Zeit, die CD dreht sich weiterhin. Beim Abspielen einer MP3, hört die CD auf, sich zu drehen.

Wenn die Wiedergabe wieder aufgenommen werden soll, erneut auf die Taste **PLAY/PAUSE** drücken. Auf der LCD-Anzeige wird die Track-Nummer sichtbar.

WIEDERGABE ABBRECHEN

Die CD/MP3-Wiedergabe stoppt automatisch am Ende des letzten Tracks oder des letzten Tracks des letzten Verzeichnis. Wenn die Wiedergabe vorher abgebrochen werden soll, auf die Taste **STOP** drücken. Wenn innerhalb von 30 Sekunden keine weiteren Befehle gegeben werden, schaltet sich der Player automatisch ab. Wenn der Player schneller ausgeschaltet werden soll, ein zweites Mal auf die Taste **STOP** drücken.

BEDIENUNGSANLEITUNG fortgesetzt

Wenn eine CD anhält, zeigt die LCD-Anzeige bei CDs die gesamte Anzahl der Tracks und die gesamte Abspielzeit. Bei MP3s zeigt die LCD-Anzeige auch die gesamte Anzahl der Verzeichnisse und Tracks.

SKIP SEARCH

Zur Vorwärts- oder Rückwärtssuche während der Wiedergabe, auf die Taste **SCAN UP/DOWN** drücken und sie gedrückt halten.

Auf der LCD wird die sich schnell ändernde verstrichene Zeit angezeigt. Wenn der gewünschte Punkt erreicht ist, die Taste **SCAN UP/DOWN** loslassen und zum normalen Wiedergabebetrieb zurückkehren.

ANMERKUNG: Wenn bei der Suche das Ende des letzten Track oder den Anfang des ersten Tracks erreicht wird, stoppt der Player automatisch.

EINEN TRACK BESTIMMEN

CD

Um einen gewünschten Track einzustellen, wiederholt auf die Taste **SCAN UP/DOWN** drücken, bis der gewünschte Track gefunden wurde. Die LCD-Anzeige zeigt bei der Suche die Track-Nummer.

MP3

Beim Abspielen einer MP3 kann

1. wiederholt auf die Taste **SCAN UP** gedrückt werden, um nach vorne zu springen und so den gewünschten Track zu wählen. Die Wiedergabe beginnt automatisch.
2. einmal auf die Taste **SCAN DOWN** gedrückt werden, um zum Anfang des gerade gespielten Tracks zurückzukehren. wiederholt auf die Taste **SCAN DOWN** gedrückt werden, um zurück zu springen und den gewünschten Track zu wählen. Die Wiedergabe beginnt automatisch.

Wenn die MP3-Wiedergabe gestoppt wird und das Gerät noch eingeschaltet ist, kann

1. wiederholt auf die Taste **SCAN UP/DOWN** gedrückt werden, um das gewünschte Verzeichnis oder den gewünschten Track zu finden.
2. auf die Taste **PLAY/PAUSE** gedrückt werden, um die Wiedergabe von diesem Track an zu beginnen.

ANMERKUNG: Wenn während der Wiedergabe auf die Taste **SAS/+10** gedrückt wird, werden jeweils 10 Tracks übersprungen.

BEDIENUNGSANLEITUNG fortgesetzt

WIEDERHOLFUNKTION (REPEAT)

Beim Abspielen einer CD/MP3 kann auf die Taste **MODE** (Modus) gedrückt werden, um eine der drei verschiedenen Wiederholeinstellungen zu aktivieren. Jeder Druck auf die Taste **MODE** ändert die Einstellung.

1. Wiederholung eines Tracks – Während des Abspielens auf die Taste **MODE** drücken, bis auf der Anzeige "REPT 1" erscheint. Der gerade abgespielte Track wird dann fortlaufend wiederholt.
2. Wiederholung eines Verzeichnis – Während des Abspielens einer MP3, auf die Taste **MODE** drücken, bis auf der Anzeige "REPT DIR" erscheint. Das gerade abgespielte Verzeichnis wird dann fortlaufend wiederholt.
3. Wiederholung aller Tracks – Während des Abspielens auf die Taste **MODE** drücken, bis auf der Anzeige "REPT ALL" erscheint. Alle Tracks werden fortlaufend wiederholt.

INTRO SCAN

Um eine einfache Suche eines gewünschten Tracks zu ermöglichen, können jeweils die ersten 10 Sekunden jeden Tracks angehört werden. Zum Einleiten der Intro-Scan-Wiedergabe den unten beschriebenen Schritten folgen:

1. Die Wiedergabe durch Drücken auf die Taste **STOP** abbrechen.
2. Auf die Taste **MODE** drücken, bis auf der Anzeige "INTRO" erscheint.
3. Auf die Taste **PLAY/PAUSE** drücken. Intro-Scan beginnt sofort mit dem ersten Track.
4. Zum Beenden von Intro-Scan, auf die Taste **STOP** drücken.

SHUFFLE PLAY (WIEDERGABE IN ZUFÄLLIGER REIHENFOLGE)

Mit der Funktion "Shuffle Play" kann der Player alle Tracks zufällig abspielen. Zum Einstellen des Shuffle-Play den unten beschriebenen Schritten folgen:

1. Die Wiedergabe durch Drücken auf die Taste **STOP** abbrechen.
2. Auf die Taste **MODE** drücken, bis auf der Anzeige "SHUFF" erscheint.
3. Auf die Taste **PLAY/PAUSE** drücken. Die Wiedergabe in zufälliger Reihenfolge beginnt sofort.
4. Zum Beenden des Shuffle-Play, auf die Taste **STOP** drücken.

BEDIENUNGSANLEITUNG fortgesetzt

PROGRAMMIERTE WIEDERGABE

Bis zu 99 Tracks können so programmiert werden, dass sie in einer gewählten Reihenfolge wiedergegeben werden. Der gleiche Track kann mehr als einmal programmiert werden.

PROGRAMMIEREN EINER CD/MP3-WIEDERGABESEQUENZ:

CD

1. Die Wiedergabe durch Drücken auf die Taste **STOP** abbrechen.
2. Auf die Taste **EQ/PROG** drücken, bis auf der Anzeige "PROG" zusammen mit "PROGRAM: 01" erscheint.
3. Wiederholt auf die Taste **SCAN UP/DOWN** drücken, um den Track zu finden, der einprogrammiert werden soll.
4. Erneut auf die Taste **EQ/PROG** drücken, um den Track als "Program: 01", dann "PROGRAM: 02" usw. zu speichern.
5. Auf die Taste **PLAY/PAUSE** drücken, wenn "PROG" auf der LCD-Anzeige zu sehen ist, um den programmierten Track abzuspielen.
6. Schritte 1 bis 5 wiederholen, um weitere Tracks (bis zu 99) zu programmieren.

MP3

1. Die Wiedergabe durch Drücken auf die Taste **STOP** abbrechen.
2. Auf die Taste **EQ/PROG** drücken, bis auf der Anzeige "PROG" zusammen mit "PROGRAM: 01" erscheint.
3. Auf die Taste **ALBUM** drücken, um das gewünschte Verzeichnis zu wählen.
4. Wiederholt auf die Taste **SCAN UP/DOWN** drücken, um den Track zu finden, der einprogrammiert werden soll.
5. Erneut auf die Taste **EQ/PROG** drücken, um den Track als "PROGRAM: 01", dann "PROGRAM: 02" usw. zu speichern.
6. Auf die Taste **PLAY/PAUSE** drücken, wenn "PROG" auf der LCD-Anzeige zu sehen ist, um den programmierten Track abzuspielen.
7. Schritte 1 bis 7 wiederholen, um weitere Tracks (bis zu 99) zu programmieren.

ABSPIELEN EINER PROGRAMMIERTEN SEQUENZ:

Auf die Taste **PLAY/PAUSE** drücken, wenn "PROG" in der LCD-Anzeige zu sehen ist. Während der Wiedergabe kann auf die Taste **SCAN UP/DOWN** gedrückt werden, um weiter nach vorne oder zurück zu springen. Es kann

BEDIENUNGSANLEITUNG fortgesetzt

auch eine Wiederholung für einen oder alle programmierten Tracks eingestellt werden, indem auf die Taste **MODE** gedrückt wird.

Nachdem der letzte programmierte Track abgespielt wurde, stoppt der Player automatisch. Zum Löschen einer programmierten Sequenz:

1. Auf die Taste **STOP** drücken, während die programmierte Sequenz wiedergegeben wird, so dass PROG aus der Anzeige ausgeblendet wird, oder
2. Den CD-Deckel öffnen, in dem auf die Taste **OPEN** gedrückt wird oder
3. Das WS/GS-Netzteil aus der Steckdose ziehen, um das Gerät abzuschalten.

BEDIENUNGSANLEITUNG: UKW/MW-TUNER

RADIOEMPfang

1. Auf die Taste **TUNER/BAND** drücken, um das Radio einzuschalten. Wenn das Radio eingeschaltet wird, ist es immer auf den Sender eingestellt, der zuletzt gehört wurde.
2. Wiederholt auf die Taste **TUNER/BAND** drücken, um das UKW- oder MW-Band zu wählen.
3. Der gewünschte Sender wird mit einer der unten beschriebenen Methoden eingestellt. Auf der Anzeige wird die eingestellte Frequenz gezeigt.

- Sendersuche aus dem Speicher: Auf die Tasten **PRESET+/ PRESET-** drücken. Wenn einer der voreingestellten Sender gewählt wird, erscheint auf der LCD-Anzeige die Nummer des Kanals "CH0" und die Frequenz "FM---MHz/AM---kHz". Es sind 20 Sendervoreinstellungen für UKW und 10 Sendervoreinstellungen für MW möglich.
- Manuelle Sendersuche: Mehrfach kurz und schnell auf die Tasten **SCAN UP/DOWN** drücken, um die Sendereinstellung nach oben oder unten vorzunehmen, bis der gewünschte Sender gefunden wurde.
- Automatische Sendersuche: Lange auf die Taste **SCAN UP/DOWN** oder **MODE** drücken, um eine automatische Sendersuche nach oben oder unten bis zum nächsten starken Sender vorzunehmen. Zweimal auf die Taste **EQ/PROG** oder **STOP** drücken, um die automatische Sendersuche abzubrechen.

ANMERKUNG:

Wenn Sie sich außerhalb von Nordamerika befinden, muss die folgende Änderung vorgenommen werden, um eine korrekte Wiedergabe der UKW- und MW-Sender zu gewährleisten:

- Das Radio einschalten.
- Die Taste "Album" gedrückt halten und gleichzeitig einmal auf die Taste 'Tuner/Band' drücken und sie wieder loslassen.

BEDIENUNGSANLEITUNG fortgesetzt

- Auf der Anzeige ist ungefähr drei Sekunden lang ‚EUROPE AREA‘ zu sehen.

Wenn das Radio in Nordamerika verwendet werden soll, nachdem diese Änderung vorgenommen wurde, muss der oben beschriebene Vorgang wiederholt werden. Dann erscheint in der Anzeige ‚USA AREA‘.

- Für einen verbesserten UKW-Empfang die teleskopische UKW-Antenne ausziehen und ausrichten.
- Beim Empfang von Stereo-Sendern in UKW erscheint auf der LCD-Anzeige „STEREO“, wenn das Signal stark genug ist. Wenn der Empfang schlecht ist oder starke Nebengeräusche enthält, kann durch Drücken auf die Taste ST/MONO auf MONO-Empfang umgeschaltet werden. Wenn MONO gewählt wird, ist der Empfang besser. Auf der LCD-Anzeige erscheint „MONO“.
- Zum Abschalten des Radios auf die Taste **STOP** drücken.

SENDER SPEICHERN

In den Speicher können bis zu 20 UKW- und 10 MW-Sender eingegeben werden. Den unten beschriebenen Schritten folgen, um Sendervoreinstellungen in den Speicher vorzunehmen.

1. Wiederholt auf die Taste **TUNER/BAND** drücken, um das UKW- oder MW-Band zu wählen.
2. Auf die Taste **SCAN UP/DOWN** drücken, um den gewünschten Sender einzustellen.
3. Mit den Tasten **PRESET+/PRESET-** den gewünschten Speicher wählen. Wenn der gewünschte Speicher gewählt wurde, auf die Taste **EQ/PROG** drücken, um die Eingabe zu speichern.
4. Die Schritte 1 bis 3 wiederholen, um weitere Sender zu speichern.

GESPEICHERTE SENDER ABRUFEN

1. Auf die Taste **TUNER/BAND** drücken, um das UKW- oder MW-Band zu wählen.
2. Auf die Tasten **PRESET+/PRESET-** drücken, um den gewünschten in den Speicher eingegeben Sender zu finden.
3. Am gewünschten voreingestellten Sender anhalten. Der Sender wird automatisch empfangen.

BEDIENUNGSANLEITUNG fortgesetzt

BEDIENUNGSANLEITUNG: UHR/WECKER

ORTSZEIT UND DATUM EINSTELLEN

Wenn das Gerät erstmals an die Stromzufuhr angeschlossen wird, oder nachdem es längere Zeit nicht benutzt wurde, erscheint auf der LCD-Anzeige "12:00 SATURDAY JAN/01/2000". Es kann aus mehreren Städten weltweit gewählt werden, die die örtlichen Zeitzonen repräsentieren. Wenn die Ortszeit eingestellt ist, kann der Player automatisch die Zeit in verschiedenen Städten in der ganzen Welt anzeigen. Zum Einstellen der Ortszeit und des Datums den unten beschriebenen Schritten folgen:

1. Drei Sekunden lang auf die Taste **WORLD/LOCAL** (Weltzeit/Ortszeit) drücken, bis auf der Anzeige der Name einer Stadt erscheint.
2. Auf die Tasten **UP/DOWN** drücken, um den Namen der Stadt zu finden, die die Ortszeit repräsentiert.
3. Zwei Sekunden lang auf die Taste **SET** drücken, um die Eingabe zu speichern. Auf der Anzeige erscheint anstelle des Namens der Stadt der Wochentag.
4. Erneut auf die Taste **SET** drücken. Der Name der Stadt wird wieder angezeigt. Auf der Anzeige beginnt das Jahr zu blinken.
5. Auf die Tasten **UP/DOWN** drücken und so das richtige Jahr einstellen.
6. Erneut auf die Taste **SET** drücken, um die Einstellung des Jahrs zu speichern. Auf der Anzeige beginnt der Monat zu blinken.
7. Auf die Tasten **UP/DOWN** drücken und so den richtigen Monat einstellen.
8. Erneut auf die Taste **SET** drücken, um die Einstellung des Monats zu speichern. Auf der Anzeige beginnt der Tag zu blinken.
9. Auf die Tasten **UP/DOWN** drücken und so den richtigen Tag einstellen.
10. Erneut auf die Taste **SET** drücken, um die Einstellung des Datums zu speichern. Auf der Anzeige beginnt die Stunde zu blinken.
11. Auf die Tasten **UP/DOWN** drücken und so die richtige Stunde einstellen.
12. Erneut auf die Taste **SET** drücken, um die Einstellung der Stunde zu speichern. Auf der Anzeige beginnt die Minute zu blinken.
13. Auf die Tasten **UP/DOWN** drücken und so die richtige Minute einstellen.
14. Erneut auf die Taste **SET** drücken, um die Einstellung der Minute zu speichern. Die Einstellung der Zeit und des Datums ist abgeschlossen.

BEDIENUNGSANLEITUNG fortgesetzt

WELTZEIT ANSEHEN

Zum Ansehen der Weltzeit auf die Taste **WORLD/LOCAL** drücken bis der Name der gewünschten Stadt angezeigt wird. Dann wird ungefähr 4 Sekunden lang die Weltzeit angezeigt. Gleichzeitig blinkt "WORLD" auf der Anzeige.

STUNDENFORMAT WÄHLEN

Auf diesem Gerät kann die Zeit im 12- oder 24-Stundenformat angezeigt werden. Dieser Modus kann bei ein- und ausgeschaltetem Gerät geändert werden. Zum Ändern des Stundenmodus, den unten beschriebenen Schritten folgen:

1. Ungefähr drei Sekunden lang auf die Taste **SLEEP** drücken. Auf der Anzeige erscheint HOUR MODE (Stundenmodus).
2. Auf die Tasten **UP/DOWN** drücken und den 12 HOUR (12-Stunden) oder 24 HOUR (24-Stunden) -Modus wählen. Dann auf **SET** drücken, um den Modus zu speichern.

WECKFUNKTION

WECKZEIT EINSTELLEN:

Zum Einstellen der Weckzeit 1/Weckzeit 2 (Alarm 1/Alarm 2) den unten beschriebenen Schritten folgen:

1. Auf die Taste **ALARM 1/ALARM 2** drücken, um Weckzeit 1 oder Weckzeit 2 zu wählen.
2. Auf die Taste **SET** drücken. Die Stundenanzeige blinkt.
3. Auf die Tasten **UP/DOWN** drücken und so die gewünschte Stunde wählen.
4. Noch einmal auf die Taste **SET** drücken, um die Eingabe zu speichern. Die Minutenanzeige blinkt.
5. Auf die Tasten **UP/DOWN** drücken und so die gewünschten Minuten wählen.
6. Noch einmal auf Taste **SET** drücken, um die Eingabe zu speichern. Die Weckzeit ist eingestellt.
7. Auf die Taste **ALARM ON/OFF** drücken, bis die richtige Ein/Aus-Sequenz gefunden wird. Dann auf die Taste **SET** drücken, um die Eingabe zu speichern oder rückgängig zu machen. Auf der Anzeige wird je nachdem "AL1" oder "AL 2" angezeigt.

ANMERKUNG:

Wenn die Weckzeit eingestellt ist, erscheint diese Einstellung ungefähr 10 Sekunden lang auf der Anzeige, dann wird wieder die Ortszeit angezeigt.

BEDIENUNGSANLEITUNG fortgesetzt

WECKZEIT AKTIVIEREN BZW. DEAKTIVIEREN

Zum Aktivieren bzw. Deaktivieren der Weckzeit 1/Weckzeit 2 (Alarm 1/Alarm 2) den unten beschriebenen Schritten folgen:

1. Einmal auf die Taste **ALARM ON/OFF** drücken, so dass auf der Anzeige "Alarm 1" und "Alarm 2" erscheint.
2. Entweder wiederholt auf die Taste **ALARM ON/OFF** oder auf die Tasten **UP/DOWN** drücken, um die gewünschte Kombination der Weckzeiten zu finden.
3. Auf die Taste **SET** drücken, um die Einstellungen zu speichern oder zum Speichern der Einstellungen einfach die Tasten loslassen. Auf der Anzeige erscheinen die entsprechenden Weck-Symbole.
4. Wenn sich der Wecker einschaltet, zum Deaktivieren des Wecktons auf eine beliebige Taste drücken und zum Deaktivieren des CD/MP3-Players oder des Radios auf die Taste **STOP** drücken. Wenn die Wecker nicht manuell deaktiviert werden, werden sie alle nach 5 Minuten abgeschaltet.
- Vor der Aktivierung der Weckzeiten prüfen, ob das Gerät die Ortszeit anzeigt. Nach dem Einstellen der Uhr bzw. der Weckzeiten und nach dem Ansehen der Weckzeiten dauert es 5 Sekunden, bis wieder die Ortszeit angezeigt wird.

- Der CD/MP3-Weckers schaltet sich mit der Lautstärke ein, die bei der letzten Wiedergabe eingestellt wurde. Beim Einstellen der Wecker die Lautstärke überprüfen, um sicherzustellen, dass sie zum Wecken richtig ist.

EINSTELLEN DES WECKMODUS

Der voreingestellte Weckmodus ist der Weckton, dieser kann jedoch auf den CD/MP3-Wecker oder den Radio-Wecker umgestellt werden.

Zum Ändern des Weckmodus, den unten beschriebenen Schritten folgen:

1. Entweder wiederholt auf die Taste **ALARM MODE** oder auf die Tasten **UP/DOWN** drücken, um die gewünschte Kombination der Weckmodi zu finden.
2. Auf die Taste **SET** drücken, um die Einstellungen zu speichern oder zum Speichern der Einstellungen einfach die Tasten loslassen.
3. Auf der Anzeige erscheinen die entsprechenden Weck-Symbole.
 - Wenn der Weckton gewählt ist, wird "AL 1 BUZZER" oder "AL 2 BUZZER 2" angezeigt.
 - Wenn der CD/MP3/WMA-Weckmodus gewählt ist, wird "AL1" oder "AL 2" angezeigt.
 - Wenn der Radio-Weckmodus gewählt ist, wird "AL 1 RADIO" oder "AL 2 RADIO" angezeigt.

BEDIENUNGSANLEITUNG fortgesetzt

Wenn die Anzeige für den gewünschten Weckmodus erscheint, nicht mehr auf die Tasten **UP/DOWN** drücken und einige Sekunden warten. Der Weckmodus wird automatisch gespeichert, es kann jedoch auch auf die Taste **SET** gedrückt werden, um ihn nach der Wahl zu speichern.

WECKEINSTELLUNGEN ANSEHEN

Zum Ansehen der Weckeinstellungen, den unten beschriebenen Schritten folgen:

- Einmal auf die Taste **ALARM 1/ALARM 2** (Weckzeit 1/Weckzeit 2) drücken. Auf der LCD-Anzeige erscheinen ungefähr 5 Sekunden lang die Einstellungen der Weckzeit 1 (einschließlich Weckzeit und Modus) bevor wieder die Ortszeit angezeigt wird.
- Zweimal auf die Taste **ALARM 1/ALARM 2** (Weckzeit 1/Weckzeit 2) drücken. Auf der LCD-Anzeige erscheinen ungefähr 5 Sekunden lang die Einstellungen der Weckzeit 2 bevor wieder die Ortszeit angezeigt wird.
- Wiederholt auf die Tasten **ALARM 1/ALARM 2** (Weckzeit 1/Weckzeit 2) drücken, um zwischen den Einstellungen der Weckzeiten 1 und 2 hin und her zu schalten.

SCHLUMMER-MODUS (SNOOZE):

Wenn sich der Wecker einschaltet, kann auf die Taste **SNOOZE** gedrückt werden, um die Weckzeit um 5 Minuten zu verzögern. Im Schlummer-Modus erscheint auf LCD-der Anzeige "SNOOZE".

7 ANDERE FUNKTIONEN

HINTERGRUNDBELEUCHTUNG

Durch das Drücken auf eine beliebige Taste auf dem Gerät wird die Hintergrundbeleuchtung der LCD-Anzeige 4 Sekunden lang eingeschaltet.

EINSCHLAFZEIT-AUTOMATIK (SLEEP)

Mit der Einschlafzeit-Automatik kann das Gerät so eingestellt werden, dass er sich automatisch nach einer voreingestellten Zeit abschaltet, wenn eine CD/MP3 oder das Radio spielt. Die Einschlafzeit-Automatik kann auf 15, 30, 45, 60, oder 90 Minuten eingestellt werden. Bei eingeschaltetem Gerät den unten beschriebenen Schritten folgen, um die Einschlafzeit-Automatik zu aktivieren.

1. Einmal auf die Taste **SLEEP** drücken, um die Einschlafzeit-Automatik zu aktivieren. Es wird "SLEEP IN 15 MINUTES" angezeigt.
2. Wiederholt auf die Tasten **UP/DOWN** oder **SLEEP** drücken, um die gewünschte Einschlafzeit zu wählen.
3. Auf die Taste **SET** drücken, um die gewählte Einschlafzeit zu speichern. Auf der Anzeige erscheint "SLEEP".

ANMERKUNG:

Wenn sich der Player im Sleep-Modus ausschaltet, wird auf der Anzeige "SLEEP" ausgeblendet.

DEAKTIVIEREN DER EINSCHLAFZEIT-AUTOMATIK:

1. Wiederholt auf die Taste **SLEEP** drücken, bis auf der Anzeige "SLEEP OFF" erscheint.
2. Auf die Taste **SET** drücken, um die Einschlafzeit-Einstellung rückgängig zu machen. Auf der Anzeige wird "SLEEP" ausgeblendet.

BASS-EINSTELLUNGEN

Der Player verfügt für optimale Hörergebnisse über drei verschiedenen Bass-Einstellungen. Die drei Einstellungen sind Stereo, TruBass und SRS 3D. Den Bass-Schalter auf der rechten Seite des Players in die Position TrueBass oder SRS 3D schieben, um verstärkte Bass-Effekte zu erzielen und das optimale Hörergebnis zu bestimmen. Für die "normale" Einstellung ohne verstärkte Bass-Effekte, den Schalter in die Mitte auf die Stereo-Einstellung schieben.

8 FEHLERBEHEBUNG

Bei richtiger Pflege und richtigem Umgang sollte der Player viele Jahre störungsfreien Betriebs bieten. Sollten jedoch Funktionsstörungen auftreten, bitte den unten beschriebenen Vorschlägen folgen, um das Problem zu beheben. Sollten die Probleme weiterhin bestehen, bitte die Etón Corporation kontaktieren.

PROBLEM	MÖGLICHE URSACHE	VORSCHLAG
CD/MP3/WMA spielt nicht.	Die CD zeigt nicht nach oben	Die CD neu einlegen, so dass der Aufdruck nach oben zeigt
	Die CD ist nicht richtig eingelegt	Die CD richtig und sicher einlegen
	Verschmutzte oder beschädigte CD	CD/MP3 reinigen oder ersetzen
	Die Batterien sind schwach oder alt	Neue frische Batterien einlegen
Es kommt kein Klang oder nur unterbrochener Klang	Das WS/GS-Netzteil ist nicht richtig angeschlossen	Überprüfen und das Netzteil richtig anschließen
	Die Lautsprecher oder Kopfhörer sind nicht richtig angeschlossen	Überprüfen und die Kabel richtig einstecken
Der Radioempfang ist schlecht oder gestört	Der CD/MP3/WMA Player ist übermäßigen Vibrationen oder Erschütterungen ausgesetzt	Den Player auf eine stabile Unterlage stellen
	Die Sender sind nicht richtig eingestellt	Die Sender sorgfältig neu einstellen
Der Radioempfang ist schlecht oder gestört	Die Antenne ist nicht richtig ausgerichtet	Die teleskopische UKW-Antenne auf den besten Empfang ausrichten

9 PFLEGE UND WARTUNG

Zur sachgerechten Wartung und Pflege des Geräts den Anweisungen unten folgen:

- Nicht ins Wasser fallen lassen oder mit Wasser bespritzen. Sollte das Gerät nass werden, sofort abwischen. Flüssigkeiten enthalten Mineralien, die elektronische Elemente korrodieren können.
- Den Player nur unter normalen Temperaturen und Umgebungsbedingungen verwenden oder lagern. Extreme Temperaturen können die Lebensdauer von elektronischen Geräten verkürzen, die Batterien beschädigen oder Plastikteile zum Schmelzen bringen.
- Den Player von Schmutz und Staub freigehalten, da diese eine vorzeitige Abnutzung der Teile bewirken können.
- Den Player vorsichtig und mit Sorgfalt behandeln. Fallenlassen kann die Leiterplatten beschädigen und zu Fehlfunktionen führen.
- Nur neue Batterien der erforderlichen Größe und vom empfohlenen Typ einsetzen. Aus alten Batterien können Chemikalien auslaufen, die elektronische Teile des Player beschädigen.
- Den Player gelegentlich mit einem feuchten Tuch abwischen, um das neue Aussehen beizubehalten. Keine aggressiven Chemikalien, Reinigungslösungen oder starken Reinigungsmittel verwenden. Nur mit milder Seife und Wasser reinigen.
- Änderungen oder Eingriffe in die inneren Bestandteile des Player können zu Fehlfunktionen führen und machen die Garantie ungültig.

TIPPS ZUR WARTUNG DER CDS/MP3S

Obwohl die CDs/MP3s sehr stabil sind, für optimale Leistung die unten beschriebenen Anleitungen beachten:

- Die CDs im Player oder in ihrer Schutzhülle aufbewahren, wenn sie nicht gespielt werden
- Die CDs an den Rändern anfassen, damit keine Fingerabdrücke entstehen, die ein Springen oder verzerrten Klang verursachen können
- Die nicht etikettierte Seite nicht beschriften
- Die CDs trocken halten. Flüssigkeitstropfen können als Linse wirken und Springen oder verzerrten Klang verursachen
- Keine Chemikalien wie Reinigungssprays für Schallplatten, Antistatik-Sprays oder -Flüssigkeiten, Benzen oder Verdünnern zum Reinigen verwenden, da diese die Kunststoffoberfläche permanent beschädigen können

WICHTIGE SICHERHEITSHINWEISE

WARNUNG

- **DAS GERÄT NIEMALS REGEN ODER FEUCHTIGKEIT AUSSETZEN; ES BESTEHT BRAND- UND STROM-SCHLAGEGFAHRT** • **WARNUNG VOR TROPFEN:** Das Produkt darf keinen Tropfen oder Spritzern ausgesetzt werden. Es dürfen keine mit Flüssigkeiten gefüllten Gegenstände wie Vasen auf das Gerät gestellt werden. • **VENTILATIONSWARNUNG:** Die normale Ventilation des Geräts darf für den beabsichtigten Einsatz nicht behindert werden.




GEFAHR: UNSICHTBARE LASERSTRAHLUNG, WENN DAS GERÄT GEÖFFNET IST UND DIE VERRIEGLUNG VERSAGT HAT ODER AUSSER KRAFT GESETZT WURDE. DIREKTEN KONTAKT MIT DEM STRAHL VERMEIDEN. VORSICHT: GEFÄHRLICHE LASERSTRAHLUNG, WENN DAS GERÄT GEÖFFNET IST UND DIE VERRIEGLUNG VERSAGT HAT.

VORSICHT

**STROMSCHLAGEGFAHR
NICHT ÖFFNEN**

VORSICHT: ZUR VERRINGERUNG DER STROMSCHLAGEGFAHRT, DIE ABDECKUNG (ODER RÜCKSEITE) NICHT ABNEHMEN. IM INNEREN BEFINDEN SICH KEINE VOM BENUTZER ZU WARTENDE TEILE. WARTUNGS- UND REPARATURARBEITEN DÜRFEN NUR VON EINEM ENTSPRECHEND GESCHULTEN SERVICETECHNIKER DURCHFÜHRT WERDEN.



GEFÄHRLICHE SPANNUNG In dem Gehäuse des Geräts ist gefährliche nicht isolierte elektrische Spannung vorhanden, deren Stärke ausreichend ist, um für Personen eine Stromschlaggefahr darzustellen. ACHTUNG: Im Benutzerhandbuch befinden sich wichtige Anweisungen zur Bedienung und Wartung. Aus Sicherheitsgründen muss das Benutzerhandbuch herbeigezogen werden.

DAS GERÄT NICHT AN ORTEN MIT DEN UNTEN GENANNTEN BEDINGUNGEN AUFSTELLEN.

- Orte, die direktem Sonnenlicht ausgesetzt sind oder nahe an hitzeausstrahlenden Geräten, wie elektrischen Heizkörpern.
- Orten ohne Ventilation oder staubreiche Orte.
- Orte, die ständig Vibrationen ausgesetzt sind.
- Feuchte Orte oder Orte mit hoher Luftfeuchtigkeit.

DIESES PRODUKT VERWENDET LASER:

GEFAHR – Unsichtbare Laserstrahlung, wenn das Gerät geöffnet ist und die Verriegelung versagt hat oder außer Kraft gesetzt wurde.

VORSICHT – Der Gebrauch der Bedienelemente oder Einstellungen der Vorgänge auf andere Art als hier beschrieben, kann zu schädlicher Strahlung führen.

DER LASER CD-PLAYER FUNKTIONIERT MIT UNSICHTBAREM LASERLICHT UND IST MIT SICHERHEITSSCHALTERN AUSGESTATTET, DURCH DIE EIN KONTAKT VERMIEDEN WIRD; WENN DIE TÜR GEÖFFNET IST UND DIE SICHERHEITSPERRE AUSSER KRAFT GESETZT WURDE. ES IST GEFÄHRLICH, DIE SICHERHEITSSCHALTER AUSSER KRAFT ZU SETZEN ODER ZU UMGEHEN.

11 TECHNISCHE DATEN

Frequenzgang (+/-4dB).....	20-20.000 Hz
Abtastfrequenz	44,1 kHz
Oversampling	8 Mal
Wellenlänge.....	780 nm
Radiofrequenz – UKW.....	(für U.S.) 87,5-107,9 MHz (0,2 MHz pro Schritt) (für Europa) 87,5—108 MHz
Radiofrequenz – MW	(für U.S.) 530---1710 kHz und 10kHz-Schritte (für Europa) 531---1602 kHz
Stromzufuhr	vier AA-Alkalibatterien WS/GS-Netzteil (GS 7,5 V, 800 mA)
Ausgangsleistung	600mW
Abmessungen (HWT)	38 x 145 x 169.4mm
Gewicht (ohne Batterien)	0,52kg

18 INFORMATIONEN ZUR WARTUNG

Sie können den Etón technischen kundendienst für weitere informationen oder hilfe durch erreichen uns an berühren:

customersvc@etoncorp.com

Vor dem Einschicken des Geräts eine Rückgabegenehmigung anfordern. Wenn Sie Ihr Gerät zur Wartung einschicken möchten, den Empfänger sorgfältig im Originalkarton oder einen anderen geeigneten Behälter verpacken. Den Absender deutlich auf dem Verpackungskarton und einem beigelegten Begleitschreiben angeben. In dem Schreiben sollte die Art der notwendigen Wartung, die Symptome oder die Probleme erwähnt werden. Auch eine Telefonnummer angeben, unter der Sie tagsüber zu erreichen sind, sowie eine Kopie des Kaufnachweises. Der Empfänger wird unter den Bedingungen der eingeschränkten Garantie von Etón gewartet und an Sie zurückgeschickt.

19 EINJÄHRIGE EINGESCHRÄNKTE GARANTIE

Etón garantiert dem ursprünglichen Käufer, dass dieses Produkt frei von Material- oder Verarbeitungsmängeln ist. Diese Garantie gilt für ein Jahr ab Kaufdatum. Während der Garantieperiode stellt Etón oder eine von Etón autorisierte Servicestelle kostenlos Teile und Arbeitszeit bereit, die zur Behebung von Material- und Verarbeitungsmängeln notwendig sind. Etón kann ein schadhaftes Gerät nach eigenem Ermessen ersetzen.

1. Füllen Sie die Garantie-Registrierungskarte innerhalb von zehn (10) Tagen nach Kauf aus.
2. Rufen Sie Etón oder die nächste Servicestelle sobald wie möglich an, wenn Sie einen Mangel feststellen.

Halten Sie Folgendes bereit:

- (a) Modell und Seriennummer.
 - (b) Namen des Händlers und das ungefähre Kaufdatum.
 - (c) Eine genaue Beschreibung des Problems, einschließlich Details über die elektrischen Verbindungen zu anderen Geräten und eine Liste dieser Geräte.
3. Etón stellt eine Rückgabegenehmigungsnummer aus und teilt die Adresse mit, an die das Gerät geschickt werden kann. Das Gerät im Originalkarton oder einem anderen geeigneten Behälter schicken. Eine volle Versicherung abschließen und das Porto im Voraus bezahlen.

Eine sachgemäße Wartung, Reparatur und der richtige Gebrauch sind wichtig, damit das Gerät eine entsprechende Leistung bringen kann. Lesen Sie daher die Gebrauchsanleitung sorgfältig. Diese Garantie gilt für keine Schäden, die nach Ermessen von Etón auf folgende Gründe zurückzuführen sind:

1. Unsachgemäße Wartung oder Reparatur, einschließlich der Installation von Teilen oder Zubehör, die nicht der Qualität und den Spezifikationen der Originalteile entsprechen.
2. Unsachgemäße Behandlung, Missbrauch, Vernachlässigung oder falsche Installation.
3. Versehentliche oder mutwillige Beschädigung.
4. Auslaufende Batterien.

Alle stillschweigenden Garantien, falls solche bestehen, einschließlich Garantien der Marktfähigkeit und der Eignung für einen bestimmten Zweck, laufen ein (1) Jahr nach dem ursprünglichen Kaufdatum aus.

Das oben Erwähnte stellt die vollständige Verpflichtung von Etón bezüglich dieses Produkts dar. Der ursprüngliche Käufer ist zu keiner anderen Behebung berechtigt und hat keinen Anspruch für zufällige oder Folgeschäden, Verluste oder Ausgaben. In manchen Staaten ist eine Beschränkung der Länge stillschweigender Garantien oder der Ausschluss beiläufig entstandener bzw. Folgeschäden nicht zulässig. Die obige Beschränkung trifft also für Sie eventuell nicht zu.

EINJÄHRIGE EINGESCHRÄNKTE GARANTIE fortgesetzt

Diese Garantie erkennt Ihnen bestimmte gesetzliche Rechte zu. Sie haben eventuell auch andere Rechte, die von Staat zu Staat verschieden sind.

FÜR INFORMATIONEN ÜBER UNSEREN SERVICE:

Etón Corporation
www.etoncorp.com



¿NECESITA AYUDA?

Esta es la forma de comunicarse con nosotros:

- From the United States: (800) 872-2228
- From Canada: (800) 637-1648
- From Everywhere Else: (650) 903-3866
- Email: customersvc@etoncorp.com
- Internet: www.etoncorp.com

ÍNDICE

1	CONTENIDO.....	89		
2	CARACTERÍSTICAS	90		
3	INTRODUCCIÓN	92		
	• Ubicación de los controles	92		
	• Pantalla LCD	94		
4	INSTALACIÓN Y CONEXIONES	96		
	• Forma de conectar los altoparlantes.....	96		
	• Conexión de los audífonos	96		
5	ALIMENTACIÓN DE LA UNIDAD	97		
	• Uso de baterías	97		
	• Uso del adaptador de CA/CD	97		
6	INSTRUCCIONES DE OPERACIÓN.....	98		
	• OPERACIÓN CD/MP3	98		
	- Forma de cargar los discos	98		
	- Forma de tocar los discos	98		
	- Protección electrónica contra choques ..	98		
	- Forma de ajustar el volumen	99		
	- Ecualizador (EQ)	99		
	- Pausa cuando se toca un disco	99		
	- Parada cuando se toca un disco	99		
	- Salto durante una búsqueda	99		
	- Forma de especificar las pistas	100		
	- Forma de repetir un disco	100		
	- Función "Intro Scan"	100		
	- Forma de tocar pistas entremezcladas..	101		
	- Forma de tocar pistas programadas	101		
	• OPERACIÓN DEL SINTONIZADOR DE AM/FM	102		
	Para escuchar el radio.....	102		
	Forma de guardar una estación en la memoria	103		
	Forma de recuperar una estación de la memoria	103		
	• OPERACIÓN DEL RELOJ Y LA ALARMA...103			
	- Forma de poner la hora local en el reloj.....	103		
	- Forma de poner la hora mundial en el reloj..	104		
	- Selección del modo de hora	104		
	- Forma de ingresar la hora de alarma... 104			
	- Activación y desactivación de la alarma.....	105		
	- Selección del modo de alarma	105		
	- Forma de ver la hora de alarma.....	106		
	- Modo para seguir durmiendo.....	106		
7	OTRAS CARACTERÍSTICAS	107		
	• Luz de fondo de la pantalla.....	107		
	• Temporizador para apagar el radio	107		
	• Ajuste de las notas bajas	107		
8	LOCALIZACIÓN DE FALLAS	108		
9	CUIDADO Y MANTENIMIENTO	109		
	• Consejos para cuidar los discos CD y MP3.....	109		
10	INSTRUCCIONES IMPORTANTES DE SEGURIDAD	110		
11	ESPECIFICACIONES	111		
12	INFORMACIÓN DE SERVICIO	112		
13	GARANTÍA LIMITADA DE UN AÑO.....	113		

2 CARACTERÍSTICAS

EL RADIO RELOJ PORTÁTIL DE AM/FM/CD/MP3 MODELO EGO 4000 PLUS TIENE LAS PRINCIPALES CARACTERÍSTICAS SIGUIENTES:

TOCADISCOS CD/MP3:

- **Protección electrónica (ESP) contra saltos de pistas** - guarda 40 segundos de datos de CD y 120 segundos de datos MP3 para tocar sin interrupciones, aun cuando el tocadiscos esté sujeto a choques o vibración.
- **Identificación del disco MP3 en la pantalla** - muestra el nombre del artista y la pista grabada en los discos MP3.
- **Función programable** - programa y toca hasta 99 pistas en cualquier secuencia que usted desee.
- **Repetición programable** - repite automáticamente una sola pista, un directorio (para discos MP3) o un disco completo.
- **Función "Intro Scan"** - busca o examina pistas tocando automáticamente los primeros 10 segundos de cada pista.
- **Pistas entremezcladas** - toca las pistas en un disco CD/MP3 en forma aleatoria.
- **Ecuilización (EQ)** - seleccione efectos de audio entre DBB, POP, JAZZ, CLASSIC (Clásica), DISCO o NORMAL para satisfacer su estilo o música.
- **Búsqueda saltada** - encuentre y toque rápidamente cualquier pista en un disco CD/MP3.

- **Búsqueda audible** - busque una sección particular de una pista tocándola rápidamente.
- **Pausa y selección** - deja de tocar temporalmente o selecciona una pista para tocarla más tarde
- **Apagado automático** - detiene el tocadiscos automáticamente para ahorrar las baterías.
- **Compatible con discos de 3 pulgadas** - toca discos CD/MP3 de 3 pulgadas.
- **Compatible con discos CD-R/CD-RW** - toca discos CD-R/CD-RW.

SINTONIZADOR DE AM/FM

- **Preselección de estaciones de AM/FM** - guarde hasta 20 estaciones de FM y 10 estaciones de AM en la memoria, para poder localizar rápidamente sus estaciones favoritas.
- **Sintonización automática** - busca estaciones con señales fuertes automáticamente, en ambas direcciones de frecuencias.
- **Antena telescópica de FM** - extienda y ajuste esta antena para obtener la mejor recepción de FM.
- **Memoria de última estación** - escuche la última estación sintonizada cuando encienda el radio después de haberlo apagado.
- **Selector Estéreo/Mono** - seleccione el modo estéreo o monofónico cuando escuche la banda de FM.
- **Intercambio de área** - seleccione los Estados Unidos (USA) o Europa para recibir las estaciones de radio en cada región.

RELOJ DE ALARMA:

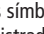
- **Modos de hora local y hora mundial** - seleccione entre la hora local y la hora mundial en ciudades alrededor de todo el mundo.
- **Modos de 12 y 24 horas** - seleccione entre el modo de 12 horas o el modo de 24 horas.
- **Alarmas dobles** - seleccione dos alarmas que le permitirán despertar con el radio, el tocadiscos CD o con el sonido típico de una alarma.
- **Función "Snooze"** - siga durmiendo durante 5 minutos más antes de que vuelva a sonar la alarma.
- **Modo de temporizador para dormir** - ajuste esta función para apagar el radio o el tocadiscos en 15 a 90 minutos.
- **Indicador de batería baja** - le recordará cambiar las baterías descargadas.

GENERAL:

- **Altoparlantes estéreo separables** - saque y coloque estos altoparlantes de alta calidad con la separación que desee para mejor sonido.
- **Procesamiento SRS del audio** - crea una experiencia de más fidelidad del sonido, con bajos más fuertes y una reproducción tridimensional más amplia del sonido.

- **Pantalla de cristal líquido (LCD) iluminada de múltiples funciones** - Pantalla LCD con iluminación azul de fondo y caracteres grandes de matriz de punto que indican el estado del sistema y la hora con una luz suave.
- **Dos fuentes de alimentación** - alimente la unidad con 4 baterías tamaño AA o con un adaptador (incluido) AC/CD que produce 7.5 V de corriente directa (CD) y 800 miliamperios.
- **Apagado automático** - apaga automáticamente el tocadiscos para ayudar a conservar las baterías.

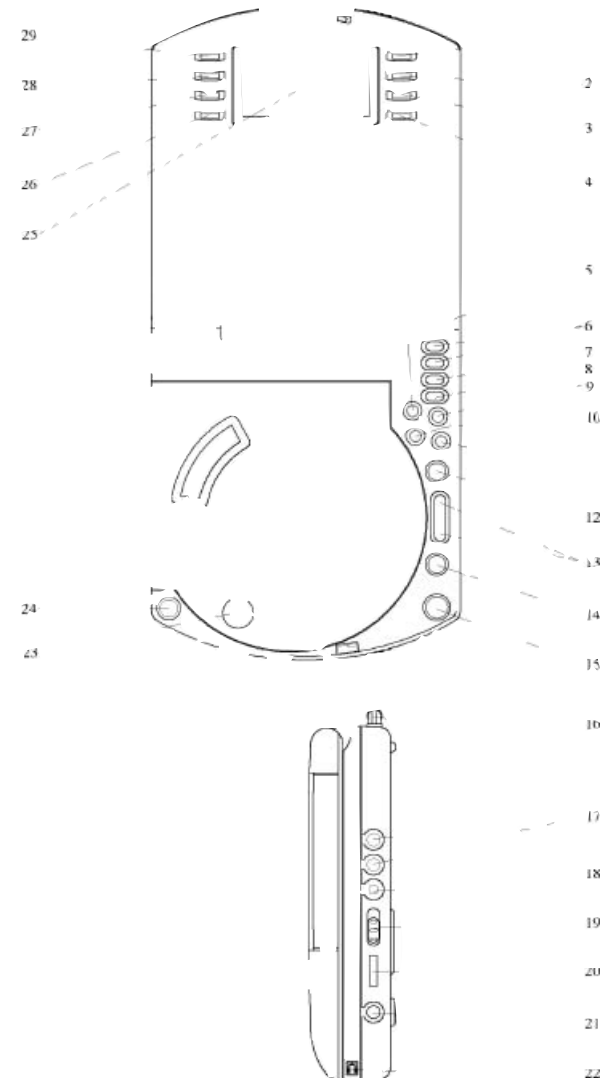


Los símbolos "WOW", SRS y  son marcas registradas de SRS Labs, Inc. La tecnología "WOW" es incorporada bajo licencia de SRS Labs, Inc.

3 INTRODUCCIÓN

UBICACIÓN DE LOS CONTROLES

- 1 **World / Local (Mundial / Local)** - para ver la hora local o la hora mundial.
- 2 **Set (Ajustar)** - para poner la hora local o mundial en el reloj, o la hora de alarma.
- 3-4 **Up / Down (Arriba / Abajo)** - para seleccionar la hora, fecha o modo de alarma deseado mientras pone la hora en el reloj o la hora de alarma.
- 5 **SAS / +10** - mientras toca un CD, pulse este botón para encender o apagar la función ESP; mientras toca un disco MP3, pulse este botón para saltar 10+ pistas.
- 6 **Preset +/-** - para seleccionar los botones de sintonización de estaciones de radio.
- 7 **St / Mono (Estéreo / Mono)** - para seleccionar el canal estereofónico o monofónico.
- 8 **Album** - para hacer una búsqueda en el directorio de un disco MP3; en el modo de sintonizador, para cambiar el área del radio (oprime el botón durante 3 segundos).
- 9 **Eq / Prog (Ecuación / Programación)** - mientras toca un disco CD/MP3, pulse este botón para seleccionar la ecualización deseada (DBB, POP, JAZZ, CLASSIC, DISCO, NORMAL); cuando no se está tocando un disco CD/MP3, pulse este botón para programar la secuencia de pistas de un disco CD/MP3; en el modo de sintonizador, pulse para ingresar las estaciones de radio en la memoria.
- 10 **Tune / Band (Sintonización / Banda)** - pulse este botón para cambiar la banda del sintonizador entre AM y FM.
- 11 **Modo (Modo)** - mientras está tocando un disco CD, pulse este botón para establecer el modo de repetición de una pista o de todas las pistas; mientras toca un disco MP3, pulse este botón para establecer el modo de repetición de una pista, un directorio, o todas las pistas; cuando no se está tocando un disco CD/MP3, pulse este botón para iniciar la función Intro Scan o tocar las pistas en forma aleatoria.
- 12 **Play / Pause (Tocar / Pausa)** - pulse este botón para tocar o hacer una pausa (disco CD/MP3).
- 13 **Scan Up/Down (Explorar arriba/abajo)** - pulse este botón para saltar y buscar pistas o directorios en discos CD/MP3; en el modo de sintonizador, pulse para buscar las estaciones deseadas o para explorar las estaciones automáticamente.
- 14 **Stop (Parar)** - pulse para dejar de tocar un disco CD/MP3; en el modo de sintonizador, pulse para apagar el radio.
- 15 **Snooze (Seguir durmiendo)** - cuando la alarma es activada, pulse este botón para seguir durmiendo durante 5 minutos; cuando la alarma está inactiva, pulse para encender momentáneamente la luz de fondo de la pantalla.
- 16 **Antena telescópica de FM** - extiende y ajuste esta antena para la mejor recepción de FM.
- 17 **Conectores de los altoparlantes** - para conectar los alambres de los altoparlantes o bocinas.
- 18 **Conector de cd** - para conectar el adaptador de CA/CD.
- 19 **Selector de tonos bajos** - para seleccionar los modos TruBass, Stereo o SRS 3D.
- 20 **Volumen** - para ajustar el nivel del sonido.
- 21 **Conector de audífonos** - para conectar audífonos estereofónicos.
- 22 **Open Player (Abrir la unidad)** - para abrir la unidad, deslice este botón hacia la flecha.
- 23 **Close Lid (Cerrar la tapa)** - para cerrar la tapa después de insertar un disco CD/MP3.
- 24 **Open Lid (Abrir la tapa)** - para abrir la tapa antes de insertar un disco CD/MP3.
- 25 **Pantalla LCD** - para ver el estado de la unidad y la hora del reloj.
- 26 **Alarm On/Off (Encender/Apagar la alarma)** - para encender o apagar una o todas las alarmas.
- 27 **Alarm 1 / Alarm 2 (Alarma 1 / Alarma 2)** - para programar la alarma 1 o la alarma 2, o para ver la hora seleccionada para la alarma 1 o la alarma 2.
- 28 **Alarm Mode (Modo de alarma)** - para activar la alarma.
- 29 **Sleep (Dormir)** - para programar el temporizador de dormir, para que apague la unidad en 15, 30, 45, 60 ó 90 minutos.

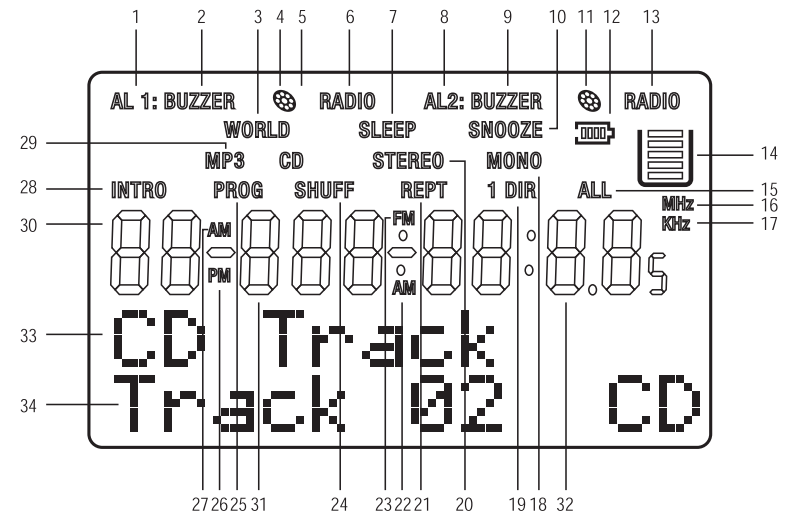


INTRODUCCIÓN continuación

PANTALLA LCD

- 1 **AL 1** - indica la hora de activación de la alarma 1.
- 2/9 **BUZZER (Zumbador de alarma)** - indica cuando el modo de zumbador de alarma ha sido seleccionado para la alarma 1 o la alarma 2.
- 3 **WORLD** - indica la hora mundial mientras se pone el reloj en hora o se prepara la alarma.
- 4/11 **CD PICTURE** - indica que el modo CD ha sido seleccionado para la alarma 1 o la alarma 2.
- 5 **CD** - indica que la unidad está tocando un CD.
- 6/13 **RADIO** - indica que el modo de radio ha sido seleccionado para la alarma 1 o la alarma 2.
- 7 **SLEEP (Dormir)** - indica que el temporizador para dormir ha sido activado.
- 8 **AL 2** - indica la hora de activación de la alarma 2.
- 10 **SNOOZE (seguir durmiendo)** - indica que el botón "Snooze" ha sido activado después de una alarma.
- 12 **Indicador de batería** - indica cuando la batería está cargada y parpadea cuando está débil.
- 14 **Indicador ESP** - indica que la memoria ha sido usada para guardar o para recuperar y tocar un disco CD/MP3.
- 15 **ALL (Todo)** - indica el modo de repetición de todas las pistas mientras se toca un disco CD/MP3.
- 16 **MHz** - indica la frecuencia de FM.
- 17 **KHz** - indica la frecuencia de AM.
- 18 **MONO** - indica que el sintonizador está en el modo "MONO".
- 19 **DIR** - indica el modo de repetición de directorio mientras se toca un disco CD/MP3.
- 20 **STEREO** - indica que el sintonizador está en el modo estereofónico.
- 21 **REPT 1** - indica el modo de repetición de una pista mientras se toca un disco CD/MP3.

- 22 **AM** - indica el uso del radio de AM.
- 23 **FM** - indica el uso del radio de FM.
- 24 **SHUFF** - indica el uso del modo aleatorio mientras se toca un disco CD/MP3.
- 25 **PROG** - se indica mientras se está programando una secuencia de un disco CD/MP3 o mientras se toca un disco CD/MP3.
- 26 **PM** - indica la hora PM cuando se pone la hora en el reloj.
- 27 **AM** - indica la hora AM cuando se pone la hora en el reloj.
- 28 **INTRO** - indica la activación de la función "Intro Scan".
- 29 **MP3** - indica que se está tocando un disco MP3.
- 30 **Directorio para discos CD/MP3.**
- 31 **Pista de discos CD/MP3.**
- 32 **Hora / Tiempo transcurrido para CD/MP3.**
- 33 **Indicador del día de la semana / nombre del álbum para discos CD/MP3.**
- 34 **Fecha / Canción / Artista y velocidad de muestreo para pistas MP3 y para discos CD.**



4 INSTALACIÓN Y CONEXIONES

FORMA DE CONECTAR LOS ALTOPARLANTES

Esta unidad viene con dos altoparlantes que pueden separarse de la unidad. La unidad se puede usar con los altoparlantes encajados en la tapa o separados. Puede sacar los altoparlantes de la tapa y colocarlos donde quiera usando los cables suministrados. Siga los pasos siguientes para conectar los altoparlantes.

1. Empuje hacia abajo con mucho cuidado para deslizar los altoparlantes fuera de la tapa.
2. Use el cable de conexiones suministrado y conecte un extremo del cable en el receptáculo del altoparlante y el otro en el receptáculo marcado "SPEAKER L or R" en el lado derecho de la unidad.
3. Gire hacia fuera los soportes integrales de los altoparlantes para mayor estabilidad y colóquelos donde quiera, como sea permitido por la longitud del cable.

FORMA DE CONECTAR LOS AUDÍFONOS

Para escuchar el radio privadamente, use un par de audífonos con un enchufe de 3.5 mm, enchufado en el receptáculo para audífonos situado en el lado derecho de la unidad.

PROTEJA SUS OÍDOS

Para proteger sus oídos, siga estos consejos cuando use audífonos:

- Ponga el control de volumen en su punto más bajo antes de comenzar a escuchar. Después, ajuste el volumen a un nivel confortable.
- Nunca escuche el radio o la música a un nivel extremadamente alto. Si lo hace por mucho tiempo, podrá sufrir una pérdida permanente de su oído.
- Una vez que ajuste el volumen, no lo aumente. Con el tiempo, sus oídos se adaptan al nivel del volumen, así que un nivel de volumen que no sea incómodo puede todavía causar daños en sus oídos.

SEGURIDAD EN EL TRÁFICO

No use audífonos mientras opera un vehículo de motor o monta en una bicicleta. Esto puede causar un peligro de tráfico y pudiera ser ilegal en algunas áreas. Aun cuando algunos audífonos permiten oír sonidos externos cuando los usa con un volumen normal, ellos todavía pueden causar un peligro mientras maneja un vehículo o monta bicicleta.

5 ALIMENTACIÓN DE LA UNIDAD

Usted puede alimentar la unidad de una de las formas siguientes:

- 4 baterías alcalinas tamaño AA.
- Usando un adaptador de CA/CD de 7.5 V, 800 mA enchufado en un tomacorriente.

USO DE BATERÍAS

Siga los pasos siguientes para instalar las baterías:

1. Empuje hacia abajo y deslice la tapa del compartimiento de baterías en la dirección de la flecha grabada en la cubierta y levante la tapa.
2. Coloque cuatro baterías AA en el compartimiento, siguiendo los símbolos de polaridad (+ y -) marcados en el interior.
3. Vuelva a poner la tapa en su lugar.

PRECAUCIÓN:

- Siempre use baterías frescas del tamaño especificado por el fabricante. No mezcle baterías viejas con baterías nuevas, tipos diferentes de baterías o baterías recargables de capacidades diferentes.
- Si no piensa usar la unidad con baterías durante un período de tiempo de un mes o mayor, o si piensa usar el adaptador de CA/CD solamente, saque las baterías. Las baterías que no se usan pueden dejar escapar sustancias químicas que pueden destruir los componentes electrónicos dentro de la unidad.

NOTAS:

- Cuando el símbolo de batería parpadea en la pantalla, cambie las baterías para evitar que el sonido se distorsione o que la unidad pierda volumen.
- Cuando se sacan las baterías, la hora se mantendrá en la memoria durante 3 minutos. Trate de instalar las baterías rápidamente para evitar tener que poner el reloj en hora nuevamente.
- Bote las baterías viejas rápidamente y en forma apropiada. No las quemé ni las entierre.

USO DEL ADAPTADOR DE CA/CD

Puede alimentar la unidad desde un tomacorriente cualquiera si usa el adaptador de CA de 7.5V CD, 800 mA, incluido con la unidad.

Siga los pasos siguientes para conectar el adaptador a la unidad:

1. Inserte el enchufe del adaptador en el receptáculo marcado "DC IN 7.5V", situado en el lado derecho de la unidad.
2. Enchufe el adaptador en un tomacorriente cualquiera de corriente alterna (CA).

PRECAUCIÓN:

Cuando termine de usar el adaptador, desconéctelo primero del tomacorriente y entonces de la unidad.

NOTA:

Una vez que se enchufa el adaptador en la unidad, las baterías contenidas en el compartimiento son desconectadas automáticamente.

6 INSTRUCCIONES DE OPERACIÓN

INSTRUCCIONES DE OPERACIÓN: CD/MP3FORMA DE CARGAR LOS

DISCOS

1. Para abrir la unidad de discos, deslice el botón "OPEN PLAYER" en dirección de la flecha.
2. Pulse el botón "OPEN LID" en la esquina izquierda del frente para abrir la tapa del tocadiscos.
3. Sostenga el disco por los bordes y colóquelo con mucho cuidado dentro del compartimiento CD/MP3, asegurando el disco sobre el plato con la etiqueta CD/MP3 hacia arriba.
4. Oprima "CLOSE LID" en la cubierta para proteger el disco CD/MP3 mientras toca.

FORMA DE TOCAR LOS DISCOS

Pulse el botón "PLAY/PAUSE" y la unidad comenzará a leer la información en el disco que se acaba de cargar. La pantalla LCD mostrará la palabra "READING" (Leyendo).

- Si toca un disco CD, la pantalla LCD mostrará "CD Track" (Pista del CD) al igual que el número de la pista y el tiempo transcurrido, mientras que la información sobre el CD se moverá a través de la parte inferior de la pantalla. Los indicadores CD y ESP también se muestran en la pantalla LCD.
- Si toca un disco MP3, la pantalla LCD mostrará el número del directorio, el número de la pista, el tiempo transcurrido y el nombre del artista, mientras que el título de la pista y

la velocidad de la función se moverán a través de la parte inferior de la pantalla. La música comenzará con la primera pista del primer directorio. Los indicadores MP3 y ESP también se muestran en la pantalla LCD.

NOTA: Cuando se pulse uno de los botones de control, la pantalla LCD tendrá iluminación de fondo durante aproximadamente 4 segundos.

PROTECCIÓN ELECTRÓNICA CONTRA CHOQUES (ESP)

Este tocadiscos contiene circuitos especiales para guardar la música en la memoria y entonces tocarla de la memoria para cubrir los saltos en la pista. Para discos compactos CD, la memoria es de 40 segundos. Para discos MP3, la memoria es de 120 segundos.

El sistema ESP se activa automáticamente cuando se oprime el botón "PLAY/PAUSE". El ícono ESP se muestra en la pantalla para indicar la cantidad de memoria guardada o usada por la unidad. Por favor, note que los niveles de memoria aumentarán o disminuirán mientras se toca un disco.

Si está escuchando un disco CD, puede pulsar el botón "SAS/+10" para apagar el sistema ESP, lo que se mostrará en la pantalla LCD. Para resumir la función ESP, pulse el botón otra vez y busque el indicador ESP en la pantalla.

Si está escuchando un disco MP3, la función ESP no puede ser apagada. Por favor note que cuando toca un disco MP3, el disco no girará en el plato mientras la música proviene de la memoria

INSTRUCCIONES DE OPERACIÓN continuación

ESP. Los discos sólo giran en MP3 cuando la unidad está leyendo un disco para guardarlo en la memoria. El ícono ESP refleja los cambios en el nivel de memoria mientras la unidad pasa por este proceso.

FORMA DE AJUSTAR EL VOLUMEN

Gire la perilla "VOLUME", como se indica en el lado derecho de la unidad, para ajustar el volumen a un nivel confortable.

ECUALIZADOR

Mientras se tocan discos CD/MP3, usted puede pulsar el botón "EQ/PROG" para seleccionar un efecto ecualizador preprogramable para mejorar el sonido de su música. Los cinco efectos son: DBB, POP, JAZZ, CLASSIC o DISCO. Cada vez que pulse sucesivamente el botón "EQ/PROG" cambiará el efecto. Para no tener ningún efecto ecualizador, pulse el botón "NORMAL".

NOTA: La función EQ sólo se puede usar cuando se tocan discos CD/MP3.

PAUSAS MIENTRAS SE TOCAN DISCOS

Para hacer una pausa temporaria, pulse el botón "PLAY/PAUSE". El indicador de tiempo transcurrido parpadeará en la pantalla LCD, mientras el disco CD sigue girando. Cuando se toca un disco MP3, el disco dejará de girar.

Para continuar tocando, pulse el botón "PLAY/PAUSE" nuevamente y el número de pista se verá en la pantalla.

PARADA CUANDO SE TOCA UN DISCO

Los discos CD/MP3 se detienen automáticamente al final de la última pista, o al final de la última pista del último directorio. Para parar el disco antes de eso, pulse el botón "STOP". Si no se hace nada durante 30 segundos después, el tocadiscos se apagará automáticamente. Para apagar la unidad más rápidamente, pulse el botón "STOP" una segunda vez.

Cuando para un disco, la pantalla LCD muestra el número total de pistas y el tiempo total para los discos CD. Para los MP3, la pantalla muestra también el número total de directorios y pistas.

SALTO DURANTE UNA BÚSQUEDA

Para buscar hacia adelante o hacia atrás, mientras se toca un disco, oprima y mantenga oprimido el botón "SCAN UP/DOWN". La pantalla LCD mostrará el tiempo transcurrido cambiando rápidamente. Cuando llegue al punto deseado, suelte el botón "SCAN UP/DOWN" para volver a tocar normalmente los discos.

NOTA: Cuando busca hasta el final de la última pista o el comienzo de la primera pista, la búsqueda termina automáticamente.

INSTRUCCIONES DE OPERACIÓN continuación

FORMA DE ESPECIFICAR UNA PISTA CD

Para seleccionar la pista deseada, pulse el botón "SCAN UP/DOWN" repetidamente hasta encontrar la pista deseada. La pantalla mostrará el número de la pista a medida que procede la búsqueda.

MP3

Mientras se toca un disco MP3, usted puede:

1. Pulsar el botón "SCAN UP" repetidamente hasta encontrar la pista deseada. La música del disco comenzará automáticamente.
2. Pulse el botón "SCAN DOWN" una vez para saltar hacia atrás hasta el comienzo de la pista corriente. Pulse el botón "SCAN DOWN" repetidamente para saltar hacia atrás y seleccionar la pista o el directorio deseado. La música del disco comenzará automáticamente.

Cuando se detenga un disco MP3, pero siga la unidad encendida, usted podrá:

1. Pulsar el botón "SCAN UP/DOWN" repetidamente hasta encontrar el directorio o la pista deseada.
2. Pulsar el botón "PLAY/PAUSE" para comenzar a tocar el disco desde esta pista en adelante.

NOTA: Mientras toca el disco, pulse el botón "SAS/+10" PARA SALTAR HASTA 10 PISTAS A LA VEZ.

FORMA DE REPETIR LA MÚSICA

Mientras toca un disco CD/MP3, usted puede pulsar el botón "MODE" para activar uno de tres modos diferentes de repetición. Cada vez que pulse el botón "MODE", se cambiará el modo.

1. Repetición de una pista - Mientras se toca el disco, pulse el botón "MODE" hasta que "REPT 1" aparezca en la pantalla. La pista corriente se repetirá continuamente.
2. Repetición de un directorio - Mientras se toca un disco MP3 solamente, pulse el botón "MODE" hasta que "REPT DIR" aparezca en la pantalla. El directorio corriente se repetirá continuamente.
3. Repetición de todas las pistas - Mientras se toca el disco, pulse el botón "MODE" hasta que "REPT ALL" aparezca en la pantalla. Todas las pistas se repetirán continuamente.

FUNCIÓN "INTRO SCAN"

Usted puede escuchar los primeros 10 segundos de cada pista para buscar conveniente la pista que desea. Siga los pasos de abajo para iniciar la función "Intro Scan":

1. Pare el disco pulsando el botón "STOP".
2. Pulse el botón "MODE" hasta que "INTRO" aparezca en la pantalla.
3. Pulse el botón "PLAY/PAUSE" para que la función "intro scan" comience desde la primera pista.
4. Para cancelar "Intro Scan", pulse el botón "STOP".

INSTRUCCIONES DE OPERACIÓN continuación

FORMA DE TOCAR PISTAS

ENTREMEZCLADAS

Usted puede hacer que la unidad toque todas las pistas aleatoriamente (al azar) con la función "Shuffle Play". Siga los pasos siguientes para iniciar esta función:

1. Pare el tocadiscos usando el botón "STOP".
2. Pulse el botón "MODE" hasta que "SHUFF" aparezca en la pantalla.
3. Pulse el botón "PLAY/PAUSE" y la función "Shuffle Play" comenzará inmediatamente.
4. Para cancelar "Shuffle Play", use el botón "STOP".

FORMA DE TOCAR PISTAS PROGRAMADAS

Usted puede programar hasta 99 pistas para oír las en cualquier orden que desee. La misma pista puede ser programada más de una vez.

Para programar una secuencia de pistas en discos CD/MP3

CD

1. Pare el tocadiscos usando el botón "STOP".
2. Pulse el botón "EQ/PROG" hasta que la palabra "PROG" aparezca en la pantalla junto con "PROGRAM: 01".
3. Pulse el botón "SCAN UP/DOWN" repetidamente hasta encontrar la pista a ser programada.
4. Pulse el botón "EQ/PROG" nuevamente para guardar el programa como "PROGRAM 01", entonces "PROGRAMA 02", etc.

5. Pulse el botón "PLAY/PAUSE" para tocar la pista programada mientras la palabra "PROG" se muestra en la pantalla.
6. Repita los pasos 1 a 5 para programar todas las pistas hasta un máximo de 99 pistas.

MP3

1. Pare el tocadiscos usando el botón "STOP".
2. Pulse el botón "EQ/PROG" hasta que la palabra "PROG" aparezca en la pantalla junto con "PROGRAM: 01".
3. Pulse el botón "ALBUM" para seleccionar el directorio deseado.
4. Pulse el botón "SCAN UP/DOWN" repetidamente hasta encontrar la pista a ser programada.
5. Pulse el botón "EQ/PROG" nuevamente para guardar el programa como "PROGRAM 01", entonces "PROGRAMA 02", etc.
6. Pulse el botón "PLAY/PAUSE" para tocar la pista programada mientras la palabra "PROG" se muestra en la pantalla.
7. Repita los pasos 1 a 7 para programar todas las pistas hasta un máximo de 99 pistas.

PARA TOCAR LA SECUENCIA PROGRAMADA:

Pulse el botón "PLAY/PAUSE" mientras la palabra "PROG" se muestra en la pantalla.

Mientras toca la pista, puede pulsar el botón "SCAN UP/DOWN" para saltar pistas hacia adelante y hacia atrás y también puede repetir la secuencia para una o todas las pistas programadas pulsando el botón "MODE".

INSTRUCCIONES DE OPERACIÓN continuación

Después de que se haya tocado la última pista programada, la unidad dejará de tocar automáticamente.

Para borrar una secuencia programada:

1. Pulse el botón "**STOP**" mientras toca una secuencia programada. El indicador "PROG" desaparecerá de la pantalla, o
2. Abra la tapa del disco pulsando el botón "**OPEN**", o
3. Desenchufe el adaptador de CA/CD para apagar la unidad.

INSTRUCCIONES DE OPERACIÓN: SINTONIZADOR DE AM/FM

PARA ESCUCHAR EL RADIO

1. Pulse el botón "**TUNER/BAND**" para activar el sintonizador. Cuando el sintonizador está encendido, siempre comenzará sintonizando la última estación escuchada.
2. Pulse el botón "**TUNER/BAND**" repetidamente para seleccionar la banda AM o FM.
3. Use uno de los métodos siguientes para sintonizar la estación deseada. La pantalla muestra la frecuencia sintonizada.
 - Sintonización por memoria: Pulse los botones "**PRESET+/PRESET-**". Cuando una de las estaciones presintonizadas es seleccionada, la pantalla muestra el número de canal "CHO" y la frecuencia "FM---MHz/AM--KHz". / Es posible presintonizar 20 estaciones de FM y 10 de AM.
 - Sintonización manual: Pulse el botón "**SCAN UP/DOWN**" de una forma rápida y corta para sintonizar manualmente las frecuencias hacia arriba o hacia abajo hasta llegar a la estación de radio deseada.

- Sintonización automática: Pulse el botón "**SCAN UP/DOWN**" o "**MODE**" de una forma larga para sintonizar automáticamente las frecuencias hacia arriba o hacia abajo hasta llegar a la siguiente estación con una buena recepción. Pulse el botón "**EQ/PROG**" o el botón "**STOP**" una vez para detener la sintonización automática.

NOTA:

- Si reside fuera de Norteamérica, el cambio siguiente es necesario para que su radio reciba las estaciones de AM y FM:
 - *Encienda el radio.
 - *Mientras mantiene oprimido el botón "**ALBUM**", oprima y suelte el botón "**TUNER/BAND**" una vez.
 - *Las palabras "EUROPE AREA" aparecerán en la pantalla y desaparecerán después de aproximadamente 3 segundos.
 - Si después de hacer este cambio, usted tiene que usar el radio en Norteamérica otra vez, repita el procedimiento anterior. Las palabras "USA AREA" aparecerán en la pantalla.
- Para una mejor recepción de FM, extienda y ajuste la antena telescópica de FM hasta obtener la mejor recepción.
- Mientras escucha a una estación de FM con sonido estereofónico, si la señal es suficientemente fuerte, la palabra "STEREO" aparecerá en la pantalla. Si la recepción no es muy buena o es ruidosa, pulse el botón "**ST/MONO**" para recibir la estación con sonido monofónico. Cuando se selecciona "MONO", la recepción será mejor y la palabra "MONO" aparecerá en la pantalla.
- Pulse el botón "**STOP**" para apagar el radio.

INSTRUCCIONES DE OPERACIÓN continuación

FORMA DE GUARDAR UNA ESTACIÓN EN LA MEMORIA

Es posible guardar hasta 20 estaciones de FM y 10 estaciones de AM en la memoria. Siga los pasos de abajo para presintonizar estaciones en la memoria:

1. Pulse el botón "**TUNER/BAND**" repetidamente para seleccionar la banda de AM o de FM.
2. Pulse el botón "**SCAN UP/DOWN**" para sintonizar la estación deseada.
3. Seleccione la memoria deseada con el botón "**PRESET+/PRESET-**". Una vez que la memoria deseada ha sido seleccionada, pulse el botón "**EQ/PROG**" para guardar la frecuencia en la memoria.
4. Repita los pasos 1 a 3 para guardar las frecuencias de otras estaciones en la memoria.

FORMA DE RECUPERAR UNA ESTACIÓN DE LA MEMORIA

1. Pulse el botón "**TUNER/BAND**" repetidamente para seleccionar la banda de AM o de FM.
2. Pulse el botón "**PRESET+/PRESET-**" para encontrar la estación presintonizada guardada en la memoria que desea escuchar.
3. Pare en la estación presintonizada deseada y la estación se escuchará automáticamente.

INSTRUCCIONES DE OPERACIÓN: RELOJ Y ALARMA

FORMA DE PONER LA HORA LOCAL EN EL RELOJ

Cuando la fuente de alimentación se conecta inicialmente o después de un extenso período de no usar la unidad, la pantalla de LCD indicará "12:00 SATURDAY JAN/01/2000" (12:00 SÁBADO ENERO 01/2000). Puede seleccionar entre numerosas ciudades alrededor del mundo que estén dentro de su zona de tiempo. Una vez que haya puesto su hora local en el reloj, la unidad puede decirle automáticamente la hora en diferentes ciudades de todo el mundo. Siga los pasos siguientes para ingresar la hora local y la fecha en el reloj:

1. Pulse el botón "**WORLD/LOCAL**" durante tres segundos hasta que aparezca el nombre de una ciudad en la pantalla.
2. Pulse los botones "**SCAN UP/DOWN**" para seleccionar el nombre de su ciudad o su zona de tiempo.
3. Pulse el botón "**SET**" durante dos segundos para guardar esa información en la memoria. El nombre de la ciudad cambia al día de la semana en la pantalla.
4. Pulse el botón "**SET**" nuevamente y volverá a aparecer el nombre de la ciudad. La pantalla comenzará a parpadear el año.
5. Pulse los botones "**SCAN UP/DOWN**" para seleccionar el año correcto.
6. Pulse el botón "**SET**" nuevamente para guardar la información. La pantalla comenzará a parpadear el mes.

INSTRUCCIONES DE OPERACIÓN continuación

7. Pulse los botones "SCAN UP/DOWN" para seleccionar el mes correcto.
8. Pulse el botón "SET" nuevamente para guardar la información. La pantalla comenzará a parpadear el día.
9. Pulse los botones "SCAN UP/DOWN" para seleccionar el día correcto.
10. Pulse el botón "SET" nuevamente para guardar la información. La pantalla comenzará a parpadear la hora.
11. Pulse los botones "SCAN UP/DOWN" para seleccionar la hora correcta.
12. Pulse el botón "SET" nuevamente para guardar la información. La pantalla comenzará a parpadear el minuto.
13. Pulse los botones "UP/DOWN" para seleccionar el minuto correcto.
14. Pulse el botón "SET" nuevamente para guardar la información. Esto completará el ingreso de la hora y fecha en el reloj.

FORMA DE MOSTRAR LA HORA MUNDIAL

Para ver la hora mundial, pulse el botón "WORLD/LOCAL" repetidamente hasta que indique el nombre de ciudad deseado. Entonces la hora en esa ciudad se mostrará durante aproximadamente 4 segundos. El indicador "WORLD" parpadeará al mismo tiempo en la pantalla.

SELECCIÓN DEL MODO DE HORA

Esta unidad le ofrece la selección de un reloj con modos de 12 y 24 horas, que se pueden cambiar cuando se encienda o se apague la unidad. Siga los pasos de abajo para seleccionar el modo de hora.

1. Pulse el botón "SLEEP" durante unos tres segundos.
2. Pulse los botones "UP/DOWN" para seleccionar el modo de 12 horas o 24 horas y entonces pulse el botón "SET" para guardarlo en la memoria.

ALARMA

FORMA DE INGRESAR LA HORA DE ALARMA:

Siga los pasos de abajo para poner la hora de la Alarma 1 y de la Alarma 2:

1. Pulse el botón "ALARMA1/ALARMA 2" para seleccionar la alarma 1 o la alarma 2.
2. Pulse el botón "SET" y el indicador de hora parpadeará.
3. Pulse los botones "UP/DOWN" para seleccionar el número de la hora deseada.
4. Pulse el botón "SET" nuevamente para guardar la información. La pantalla comenzará a parpadear el minuto.
5. Pulse los botones "UP/DOWN" para seleccionar el número del minuto deseado.
6. Pulse el botón "SET" nuevamente para guardar la información. La hora de la alarma está ahora lista.

INSTRUCCIONES DE OPERACIÓN continuación

7. Pulse el botón "ALARMA ON/OFF" hasta encontrar la secuencia correcta de activación de la alarma y entonces pulse el botón "SET" nuevamente para guardar la información o cancelarla. La pantalla mostrará los iconos "AL 1" o "AL 2" como sea el caso.

NOTA: Después de poner la hora de alarma en la unidad, la pantalla LCD muestra esa hora durante diez segundos y entonces vuelve a mostrar la hora local del reloj.

ACTIVACIÓN Y DESACTIVACIÓN DE LA ALARMA

Siga los pasos siguientes para activar o desactivar la "Alarma 1" o la "Alarma 2".

1. Pulse el botón "ALARMA ON/OFF" una vez para ver en la pantalla las palabras "Alarm 1" o "Alarm 2".
2. Pulse el botón "ALARMA ON/OFF" repetidamente, o pulse los botones "UP/DOWN" para encontrar la combinación deseada para la alarma.
3. Pulse el botón "SET" o suelte los botones para guardar la información en la memoria. Los iconos de la alarma correspondiente parpadearán en la pantalla.
4. Cuando la alarma suene, pulse cualquier botón para un sonido de zumbido, o pulse el botón "STOP" para música del tocadiscos CD/MP3, alarma del radio para desactivar la alarma. Si no se desactivan manualmente, todas las alarmas dejarán de sonar automáticamente después de 5 minutos.
- Asegúrese de que el reloj de la unidad muestre la hora local antes de activar las

alarmas. Toma 5 segundos para que el reloj siga mostrando la hora después de activar la alarma, o ver la hora de alarma.

- El volumen de la alarma que usa un disco CD/MP3 es el volumen usado previamente para escuchar la unidad. Recuerde verificar el nivel de sonido cuando prepare la alarma para asegurar que suene con el volumen correcto.

SELECCIÓN DEL MODO DE ALARMA

El modo de alarma por omisión es el zumbador, pero se puede cambiar para tocar un disco CD/MP3 o para el radio.

Siga los pasos siguientes para cambiar el modo de alarma:

1. Pulse el botón "ALARM MODE" repetidamente o pulse los botones "UP/DOWN" para encontrar la combinación deseada del modo de alarma.
2. Pulse el botón "SET" para guardar la información o sólo suelte los botones para guardar la información.
3. Los iconos correspondientes de alarma aparecerán en la pantalla.
- Si se selecciona el zumbador, las palabras "AL 1 BUZZER" O "AL 2 BUZZER" aparecerán en la pantalla.
- Si se selecciona el modo de alarma "CD/MP3/WMA", las palabras "AL 1" o "AL 2" aparecerán en la pantalla.
- Si se selecciona el modo de radio, las palabras "AL 1 RADIO" o "AL 2 RADIO" aparecerán en la pantalla.

INSTRUCCIONES DE OPERACIÓN continuación

Cuando se muestre en la pantalla el indicador del modo de alarma deseado, deje de oprimir los botones "UP/DOWN" y espere unos segundos. El modo de alarma se ajusta automáticamente, o usted también puede oprimir el botón "SET" para guardarlo en la memoria una vez que lo haya seleccionado.

FORMA DE VER EL MODO Y LA HORA DE ALARMA

Siga los pasos siguientes para ver la hora y el modo de alarma.

- Pulse el botón "ALARM 1/ ALARM 2" una vez. La pantalla mostrará la hora y el modo de la alarma 1 durante 5 segundos antes de resumir la hora local del reloj.
- Pulse el botón "ALARM 1/ ALARM 2" una vez. La pantalla mostrará la hora y el modo de la alarma 2 durante 5 segundos antes de resumir la hora local del reloj.
- Pulse el botón "ALARM 1/ ALARM 2" repetidamente para cambiar la pantalla entre la información de la alarma 1 y de la alarma

MODO PARA SEGUIR DURMIENDO

Cuando la alarma suene, usted podrá pulsar el botón "SNOOZE" para demorar la alarma otros 5 minutos. Mientras la unidad está en el modo "SNOOZE", la palabra "SNOOZE" aparecerá en la pantalla.

7 OTRAS CARACTERÍSTICAS

LUZ DE FONDO DE LA PANTALLA

Si se pulsa cualquiera de los botones en la unidad, se iluminará la luz de fondo de la pantalla durante aproximadamente 4 segundos.

TEMPORIZADOR PARA APAGAR LA UNIDAD

El "Sleep Mode" (temporizador para dormir) le permite programar la unidad para que se apague automáticamente dentro de un período de tiempo predeterminado mientras toca un disco CD/MP 3 o el radio. El "Sleep Mode" se puede programar por 15, 30, 45, 60 ó 90 minutos. Siga los pasos siguientes para activar la función "Sleep Mode" mientras la unidad está encendida.

1. Pulse el botón "SLEEP" una vez para iniciar el "Sleep Mode". El indicador "SLEEP IN 15 MINUTES" (dormir en 15 minutos) se mostrarán en la pantalla.
2. Pulse los botones "UP/DOWN" o "SLEEP" repetidamente para seleccionar el tiempo deseado para que se apague el radio.
3. Pulse el botón "SET" para guardar la información y el indicador "SLEEP" aparecerá en la pantalla.

NOTA: Después de que la unidad se apague en el "Sleep Mode", el indicador "SLEEP" desaparecerá de la pantalla.

FORMA DE DESACTIVAR EL MODO "SLEEP MODE"

1. Pulse el botón "SLEEP" repetidamente hasta que el indicador "SLEEP OFF" aparezca en la pantalla.
2. Pulse el botón "SET" para cancelar la activación del modo. El indicador "SLEEP" desaparecerá de la pantalla.

MODOS DE NOTAS BAJAS

La unidad tiene tres tipos diferentes de modos para reproducir las notas bajas y obtener la mejor calidad de sonido. Los tres modos son: Stereo, TruBass y SR5 3D. En el lado derecho de la unidad, deslice el selector Stereo, TruBass y SR5 3D hasta la posición que prefiera para oír su música y determine el mejor nivel de sonido. Si desea el sonido "normal", sin modificar las notas bajas, coloque el selector en el medio para seleccionar el modo "Stereo".

8 LOCALIZACIÓN DE FALLAS

Con un cuidado y manejo apropiados, la unidad le dará muchos años de servicio sin problemas. Sin embargo, si no funciona correctamente, siga estas sugerencias para encontrar y arreglar el problema. Si el problema persiste, pida asistencia a Etón Corporation.

PROBLEMA	CAUSA POSIBLE	SUGERENCIA
El tocadiscos CD/MP3/WMA no funciona	El disco no está orientado correctamente. El disco no ha sido cargado correctamente.	Vuelva a insertar el disco con el lado impreso hacia arriba.
	Disco sucio o defectuoso.	Cargue el disco correctamente y en forma segura.
	Las baterías están débiles o descargadas.	Limpie o cambie el disco CD/MP3. Cambie las baterías por otras nuevas.
	El adaptador de CA/CD no está bien conectado.	Inspeccione y conecte el adaptador correctamente.
La unidad no tiene sonido o el sonido es intermitente.	El altoparlante o los audífonos no están bien conectados.	Inspeccione y vuelva a conectar los cables correctamente.
	El tocadiscos CD/MP3/WMA está sujeto a una vibración o choques excesivos.	Coloque el tocadiscos sobre una superficie estable.
La recepción de radio es pobre y distorsionada	Las estaciones no se sintonizan apropiadamente.	Vuelva a sintonizar las estaciones cuidadosamente.
	La antena no está ajustada correctamente.	Ajuste la antena telescópica de FM para encontrar la mejor recepción.

9 CUIDADO Y MANTENIMIENTO

Siga las sugerencias de abajo para cuidar y mantener su unidad correctamente:

- No ponga la unidad en agua ni la moje con agua. Si se humedece, séquela inmediatamente. Los líquidos pueden contener minerales que causen corrosión en los circuitos electrónicos.
- Use y guarde la unidad solamente en ambientes con temperaturas normales. Los extremos de temperatura pueden acortar la vida de los aparatos electrónicos, dañar las baterías y deformar o derretir las piezas plásticas.
- Mantenga la unidad lejos del polvo y de la suciedad, que pueden causar un desgaste prematuro de las piezas.
- Trate la unidad con mucho cuidado. Si la deja caer, se podrían dañar las tarjetas de circuitos impresos y dejar de funcionar correctamente.
- Use sólo baterías frescas del tamaño requerido y tipo recomendado. Las baterías viejas pueden causar el escape de sustancias químicas que dañarían las piezas electrónicas de la unidad.
- Limpie ocasionalmente la unidad con un paño húmedo para mantenerla luciendo como nueva. No use sustancias químicas limpiadoras, disolventes o detergentes fuertes. Sólo use un jabón suave con agua.
- El modificar o alterar los componentes internos de la unidad puede causar un mal funcionamiento y anulará la garantía.

CONSEJOS PARA CUIDAR LOS DISCOS CD/MP3

Aun cuando los discos CD/MP3 son muy duraderos, siga las sugerencias de abajo para obtener el mejor rendimiento.

- Guarde los discos dentro de la unidad o en sus cajas protectoras mientras no los esté tocando.
- Sostenga los discos por sus bordes para evitar las huellas de sus dedos que pueden causar saltos de pistas o sonido distorsionado.
- No escriba sobre el lado del disco que no tiene la etiqueta.
- Mantenga los discos secos ya que la humedad puede actuar como un lente y causar saltos de pistas o sonido distorsionado.
- Nunca use sustancias químicas como rocíos limpiadores de discos, rocíos contra la estática, u otros líquidos como la bencina o el adelgazador de pinturas para limpiar los discos, ya que podrían dañar permanentemente la superficie plástica del disco.

INSTRUCCIONES IMPORTANTES DE SEGURIDAD

ADVERTENCIA

- PARA EVITAR EL PELIGRO DE INCENDIOS O CHOQUES ELÉCTRICOS, NO EXPONGA ESTA UNIDAD A LA LLUVIA O HUMEDAD.
- ADVERTENCIA CONTRA DERRAMES ACCIDENTALES DE LÍQUIDOS: Este producto no se debe exponer a derrames de líquidos y ningún objeto lleno de líquido, como un florero, deberá ser colocado sobre el producto.
- ADVERTENCIA DE VENTILACIÓN: No se deberá impedir ni limitar la ventilación normal de este producto.



PELIGRO: EXISTE UNA RADIACIÓN INVISIBLE DE LÁSER CUANDO LA TAPA ESTÁ ABIERTA Y EL CIRCUITO DE BLOQUEO HA FALLADO. EVITE LA EXPOSICIÓN DIRECTA AL HAZ DEL LÁSER.

PRECAUCIÓN: EXISTE UNA RADIACIÓN INVISIBLE DE LÁSER CUANDO LA TAPA ESTÁ ABIERTA Y EL CIRCUITO DE BLOQUEO HA FALLADO.

PRECAUCIÓN

RIESGO DE CHOQUE ELÉCTRICO

NO ABRA

PRECAUCIÓN: PARA REDUCIR EL RIESGO DE CHOQUE ELÉCTRICO, NO quite la cubierta posterior. NO EXISTEN PIEZAS REPARABLES DENTRO DE LA UNIDAD. EL SERVICIO DEBE SER HECHO POR PERSONAL CUALIFICADO.



VOLTAJES PELIGROSOS: Existen voltajes peligrosos dentro de la unidad que pueden ser de una magnitud suficiente para constituir un riesgo de choque eléctrico a las personas.

ATENCIÓN: El manual del propietario contiene instrucciones importantes de operación y mantenimiento para su seguridad. Es necesario leer el manual.

EVITE INSTALAR LA UNIDAD EN LOS LUGARES DESCRITOS ABAJO:

- Lugares expuestos a la luz directa del sol o cerca de aparatos que producen calor, como los calentadores eléctricos.
- Lugares que carecen de ventilación o son muy polvorientos.
- Lugares sujetos a una vibración constante.
- Lugares húmedos.

ESTE PRODUCTO UTILIZA UN LÁSER.

PELIGRO - Existe una radiación invisible de láser cuando la tapa de la unidad está abierta y el circuito de bloqueo ha fallado.

PRECAUCIÓN - El uso de los controles o ajustes de procedimientos diferentes a los aquí especificados pueden causar radiaciones peligrosas.

EL TOCADISCOS DE DISCOS COMPACTOS FUNCIONA CON LA AYUDA DE UNA LUZ LÁSER INVISIBLE Y ESTÁ EQUIPADO CON INTERRUPTORES DE SEGURIDAD PARA EVITAR EXPOSICIÓN AL LÁSER CUANDO LA TAPA ESTÁ ABIERTA Y LOS CIRCUITOS NORMALES DE BLOQUEO HAN SIDO INHABILITADOS. ES PELIGROSO INHABILITAR LOS INTERRUPTORES DE SEGURIDAD.

11 ESPECIFICACIONES

Respuesta de frecuencia (+/- 4dB).....	20-20.000 Hz
Frecuencia de muestreo.....	44,1 kHz
Sobremuestreo.....	8 veces
Longitud de onda.....	780 nm
Frecuencia del radio - FM.....	(para los EE.UU.) 87.5-107.9 MHz (0.2 MHz por paso) (para Europa) 87.5-108 MHz
Frecuencia del radio - AM.....	(para los EE.UU.) 530-1710 KHz y pasos de 10 KHz (para Europa) 531-1602 KHz
Requisitos de alimentación.....	Cuatro baterías alcalinas tamaño AA Adaptador de CA/CD (7.5V CD, 800 mA)
Potencia de salida de audio.....	600 mW
ADimensiones (Altura x Ancho x Profundidad).....	38 x 145 x 169.4mm
Peso (sin baterías).....	0,52kg

12 INFORMACIÓN DE SERVICIO

Puede comunicarse con el departamento de servicio de Etón para obtener más información:

customersvc@etoncorp.com

Escribanos por una Autorización de Devolución antes de enviar su unidad. Si desea retornar su unidad para obtener servicio, empaque el receptor cuidadosamente usando la caja original u otra caja apropiada. Escriba su dirección de retorno claramente sobre la caja e incluya una carta describiendo el servicio requerido, los síntomas o problemas. También incluya su número de teléfono durante el día y una copia de su recibo de compra. El radio recibirá servicio bajo los términos de la garantía limitada de Etón y le será devuelto.

13 MAJOR FEATURES OF THE MODEL S350

Etón le garantiza al comprador original que este producto está libre de defectos en el material y mano de obra durante un período de un año a partir de la fecha de la compra original.

Durante el período de garantía, Etón o un centro autorizado de servicio de Etón suministrará, sin costo alguno, las piezas y mano de obra necesarias para corregir los defectos en el material o mano de obra. A su opción, Etón podrá cambiar la unidad defectuosa.

1. Llene y envíe la tarjeta de registración de garantía dentro de diez (10) días de la compra.
2. Llame a Etón o al centro autorizado de servicio más cercano tan pronto sea posible después de descubrir un posible defecto en el radio. Tenga a mano:
 - (a) el número de modelo y de serie.
 - (b) el nombre del vendedor y la fecha aproximada de compra.
 - (c) una descripción detallada del problema, incluyendo detalles sobre la conexión eléctrica a los equipos asociados utilizados y una lista de esos equipos.
3. Etón le dará el número de la Autorización de Devolución y la dirección a donde debe enviar la unidad para que sea reparada. Envíe la unidad en su caja original o en una caja equivalente, con un seguro completo que cubra su valor y con el costo de envío prepago.

El mantenimiento, reparación y uso correcto son importantes para obtener un buen rendimiento de este producto. Por lo tanto, lea cuidadosamente el Manual de Instrucciones. Esta garantía no se aplica a cualquier defecto que Etón determine que es debido a:

1. Un mantenimiento o reparación incorpore accesorios que no se conforman a la calidad y especificación de las piezas originales.
2. Mal uso, abuso, maltrato o instalación incorrecta.
3. Daño intencional o accidental.
4. Ruptura con escape del contenido de las baterías.

Todas las garantías implícitas, si existen, incluyendo las garantías de comerciabilidad y uso para fines específicos, terminan un (1) año después de la fecha de la compra original.

Lo anterior constituye toda la obligación de Etón con respecto a este producto y el comprador original no tendrá ningún otro remedio legal ni podrá reclamar daños incidentales o consecuentes, pérdidas o gastos. Algunos estados no permiten limitaciones de la duración de una garantía implícita ni permiten exclusiones o limitaciones de daños incidentales o consecuentes, así que la anterior limitación y exclusión puede que no se aplique a usted. Esta garantía le ofrece derechos legales específicos y usted puede tener también otros derechos que varían de estado a estado.

PARA INFORMACIÓN SOBRE SERVICIO, COMUNÍQUESE CON:

Etón Corporation

www.etoncorp.com



PER QUESITI E CHIARIMENTI, Chiamare:

- From the United States: (800) 872-2228
- From Canada: (800) 637-1648
- From Everywhere Else: (650) 903-3866
- Email: customersvc@etoncorp.com
- Internet: www.etoncorp.com

ÍNDICE

1	INDICE	115		
2	CARATTERISTICHE	116		
3	INTRODUZIONE.....	118		
	• Posizione dei comandi	118		
	• Display LCD	120		
4	INSTALLAZIONE E COLLEGAMENTI.....	122		
	• Collegamento dei diffusori	122		
	• Collegamento delle cuffie	122		
5	ALIMENTAZIONE DELL'UNITA'	123		
	• Batterie	123		
	• Trasformatore CA/CC	123		
6	ISTRUZIONI OPERATIVE.....	124		
	• FUNZIONAMENTO DEL LETTORE DI CD/MP3	124		
	- Caricamento dei dischi	124		
	- Lettura dei dischi	124		
	- ESP (Electronic Skip Protection o protezione elettronica antiurto).....	124		
	- Regolazione del volume	124		
	- Equalizzatore (EQ)	124		
	- Pausa del playback	125		
	- Arresto del playback	125		
	- Ricerca a salti	125		
	- Selezione delle piste	125		
	- Lettura ripetuta	126		
	- Intro scan o scansione introduttiva	126		
	- Lettura Shuffle o casuale	126		
	- Lettura programmata	126		
	• FUNZIONAMENTO DEL SINTONIZZATORE AM/FM	128		
	- Ascolto della radio	129		
	- Memorizzazione delle stazioni	129		
	- Recupero delle stazioni in memoria.....	129		
	• FUNZIONAMENTO DELL'OROLOGIO/ SVEGLIA	129		
	- Impostazione dell'ora locale	129		
	- Visualizzazione dell'ora UTC	130		
	- Selezione della modalità oraria	130		
	- Impostazione della sveglia	130		
	- Attivazione/disattivazione della sveglia..	131		
	- Sezione della modalità di allarme	131		
	- Visualizzazione dell'impostazione della sveglia	132		
	- Modalità Snooze	132		
7	ALTRE CARATTERISTICHE.....	133		
	• Retroilluminazione	133		
	• Modalità Sleep	133		
	• Impostazione dei bassi	133		
8	INDIVIDUAZIONE DEI GUASTI	134		
9	CURA E MANUTENZIONE.....	135		
	• Suggerimenti per la cura dei dischi CD/MP3 ..	135		
10	IMPORTANTI ISTRUZIONI PER LA SICUREZZA	136		
11	SPECIFICHE	137		
12	INFORMAZIONI SUL SERVIZIO	138		
13	GARANZIA LIMITATA DI UN ANNO	139		

2 CARATTERISTICHE

LA RADIOSVEGLIA AM/FM/CD/MP3 DA VIAGGIO EGO 4000 PLUS PRESENTA LE CARATTERISTICHE PRINCIPALI INDICATE SOTTO.

LETTORE DI CD/MP3

- **ESP (Electronic Skip Protection o protezione elettronica antiurto)** – Il lettore memorizza 40 secondi di dati CD e 120 secondi di dati MP3 per garantire un'esecuzione ininterrotta di un brano anche quando è soggetto ad urti o vibrazioni.
- **Display identificativo MP3** – Visualizza il nome dell'artista e la pista dei dischi MP3.
- **Lettura programmata** – Programma e legge fino a 99 piste in qualsiasi sequenza.
- **Lettura ripetuta** – Ripete automaticamente una pista, una directory (per i dischi MP3) o un intero disco.
- **Scansione introduttiva Intro Scan** – Il lettore individua automaticamente le piste e le legge in anteprima per 10 secondi.
- **Lettura Shuffle o Random** – Lettura casuale delle piste di un CD/MP3.
- **EQ o equalizzatore** – Permette di selezionare gli effetti sonori DBB, POP, JAZZ, CLASSIC, DISCO o NORMAL adatti ad uno stile o brano.
- **Ricerca a salti** – Permette di individuare rapidamente e leggere qualsiasi pista di un disco CD/MP3.

- **Ricerca sonora** – Esegue la lettura rapida di una pista per individuarne una sezione specifica.
- **Pausa e segnalazione** – Arresta temporaneamente la lettura o segnala una pista da eseguire in un secondo tempo.
- **Arresto automatico** – Il lettore si arresta automaticamente per conservare la carica delle batterie.
- **Compatibilità con i dischi da 3 pollici** – Lettura dei dischi CD/MP3 da 3 pollici.
- **Compatibilità con i CD-R/CD-RW** – Lettura dei dischi CD-R e CD-RW.

SINTONIZZATORE AM/FM

- **Impostazione predefinita delle stazioni FM/AM** Memorizzando un massimo di 20 emittenti FM e di 10 stazioni radio AM, si sveltisce la ricerca dei programmi preferiti.
- **Sintonia automatica** – Il sintonizzatore ricerca automaticamente in avanti o all'indietro la prossima stazione che risulti ben ricevibile.
- **Antenna FM telescopica** – Va estesa e regolata per ottimizzare la ricezione FM.
- **Memorizzazione dell'ultima stazione** – Al momento dell'accensione, l'unità si sintonizza automaticamente sulla stazione ascoltata per ultima.

CARATTERISTICHE segue

- **Interruttore Stereo/Mono** – Imposta la modalità monoaurale o stereofonica di ascolto in banda FM.
- **Cambio di zona** – Selezionando USA o EUROPE si ricevono le emittenti radio della rispettiva regione.

SVEGLIA


- **Modalità Local/World** – Esprime l'ora delle città di tutto il mondo secondo il fuso orario locale o il tempo coordinato universale UTC.
- **Modalità 12/24 ore** – Visualizza l'ora nel formato a 12 o a 24 ore.
- **Due allarmi** – Doppia impostazione della sveglia, che squilla attivando la radio, il CD o un cicalino.
- **Snooze** – Riattiva l'allarme dopo 5 minuti, quanto basta per un pisolino.
- **Modalità Sleep** – Imposta lo spegnimento differito del lettore entro 15-90 minuti.
- **Icona delle batterie** – Segnala l'imminente scarica delle batterie.

UNITÀ

- **Diffusori distaccabili** – Le minicasce di qualità possono essere rimosse e collocate nella posizione ideale di ascolto.
- **Trattamento audio SRS** – Crea una esperienza sonora surround realistica, con bassi ricchi e profondi ed un rendimento acustico più ampio e tridimensionale.

- **Display LCD multifunzione illuminato** – Il display blu retroilluminato a grande matrice di punti visualizza lo stato del sistema e l'orologio in condizioni di scarsa luminosità ambientale.
- **Alimentazione doppia** – L'unità può essere alimentata con 4 batterie ministilo AA o tramite il trasformatore CA/CC da 7,5 V CC, 800 mA (fornito).
- **Spegnimento automatico** – L'unità si spegne automaticamente per conservare la carica delle batterie.

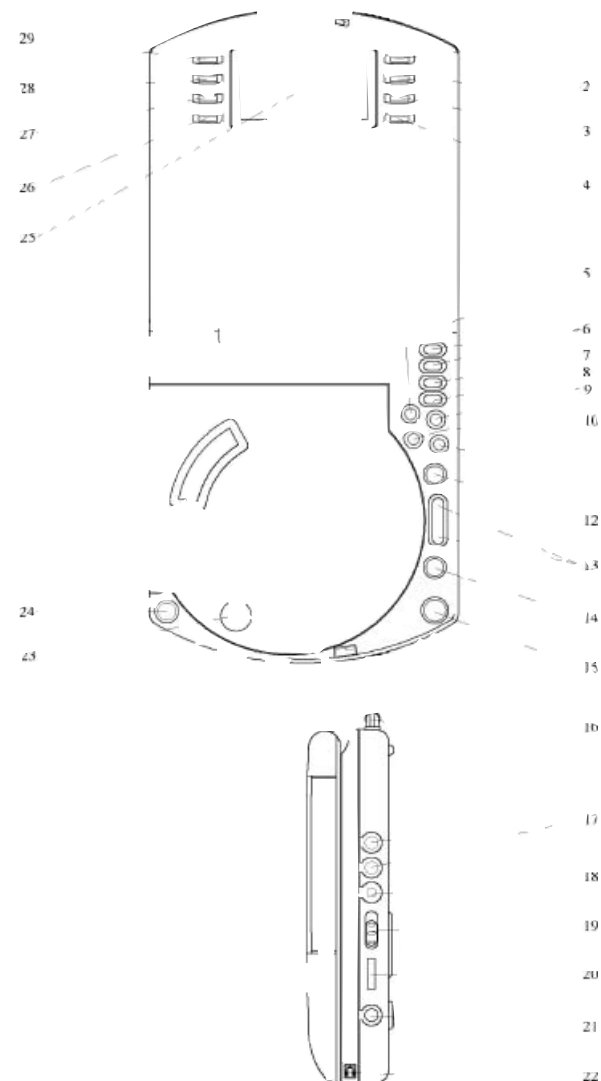


"WOW", SRS ed il simbolo  sono marchi di fabbrica della SRS Labs, Inc. La tecnologia "WOW" è incorporata su licenza della SRS Labs, Inc.

3 INTRODUZIONE

POSIZIONE DEI COMANDI

- 1 **World/Local [UTC/fuso locale]** – Visualizza l'ora locale preimpostata o l'ora UTC.
- 2 **Set [imposta]** – Imposta l'ora locale l'ora UTC o la sveglia.
- 3-4 **Up/Down [Su/Giù]** – Quando si imposta l'ora o la sveglia, permette di selezionare l'ora, la data o la modalità d'allarme.
- 5 **SAS/+10** – Mentre si legge un CD, premere questo comando per attivare o disattivare la funzione ESP. Mentre si legge un MP3, il pulsante permette di saltare 10+ piste.
- 6 **Preset+/- [preimpostazione +/-]** – Imposta le stazioni radio predefinite.
- 7 **St/Mono [stereo/mono]** – Imposta l'ascolto stereo o monoaurale di un canale FM.
- 8 **Album** – Visualizza la directory di un disco MP3. In modalità Sintonizzatore, cambia zona di ascolto (va premuto per 3 secondi).
- 9 **EQ/Prog** – Mentre si legge un CD/MP3, premendo questo pulsante si seleziona l'impostazione EQ desiderata (DBB, POP, JAZZ, CLASSIC, DISCO, NORMAL). Quando il lettore non legge un CD/MP3, il pulsante serve a programmare la sequenza di ascolto del disco. In modalità Sintonizzatore, imposta in memoria le stazioni radio.
- 10 **Tuner/Band [sintonizzatore/banda]** – Cambia frequenza AM o FM.
- 11 **Mode [modalità]** – Durante la lettura di un CD, imposta la modalità di ripetizione di una o di tutte le piste. Durante la lettura di un MP3, imposta la modalità di ripetizione di una pista, una directory o di tutte le piste. Quando il lettore non legge un CD/MP3, imposta la modalità Intro Scan o Shuffle/Random.
- 12 **Play/Pause [ascolto/pausa]** – Avvia o interrompe l'esecuzione del CD/MP3
- 13 **Scan Up/Down [scansione Su/Giù]** – Questi pulsanti permettono di saltare e ricercare le piste o la directory del CD/MP3. Quando si attiva il sintonizzatore, consentono di ricercare le stazioni radio desiderate o di eseguire la scansione automatica delle emittenti.
- 14 **Stop** – In modalità CD/MP3 arresta il disco, in modalità sintonizzatore spegne l'unità.
- 15 **Snooze** – Quando squilla la sveglia, premere questo pulsante per fare un pisolino di 5 minuti. Quando la sveglia è inattiva, illumina brevemente il display.
- 16 **Antenna FM telescopica** – Va estesa e regolata per ottimizzare la ricezione FM
- 17 **Jack dei diffusori** – Sono i connettori dei cavi dei diffusori distaccabili.
- 18 **Jack CC** – E' la presa del trasformatore CA/CC.
- 19 **Selettore dei bassi** – Permette di selezionare le impostazioni dei bassi TruBass, Stereo o SRS 3D.
- 20 **Volume** – Regola il volume di ascolto.
- 21 **Jack delle cuffie** – Collega le cuffie stereofoniche.
- 22 **Apertura del lettore** – Far scorrere il pulsante in direzione della freccia per aprire il lettore.
- 23 **Chiusura del coperchio** – Chiude il coperchio dopo l'inserimento del CD/MP3.
- 24 **Apertura del coperchio** – Apre il coperchio, permettendo di inserire un disco CD/MP3.
- 25 **Display LCD** – Visualizza lo stato del lettore e l'orologio.
- 26 **Alarm On/Off [allarme ON/OFF]** – Viene usato per attivare o disattivare uno o entrambi gli allarmi.
- 27 **Alarm 1/ Alarm 2 [allarme 1/allarme 2]** – Imposta l'allarme 1 o 2, oppure li visualizza se preimpostati.
- 28 **Modalità Alarm** – Attiva la sveglia.
- 29 **Sleep** – Imposta il periodo del pisolino su 15, 30, 45, 60 o 90 minuti.

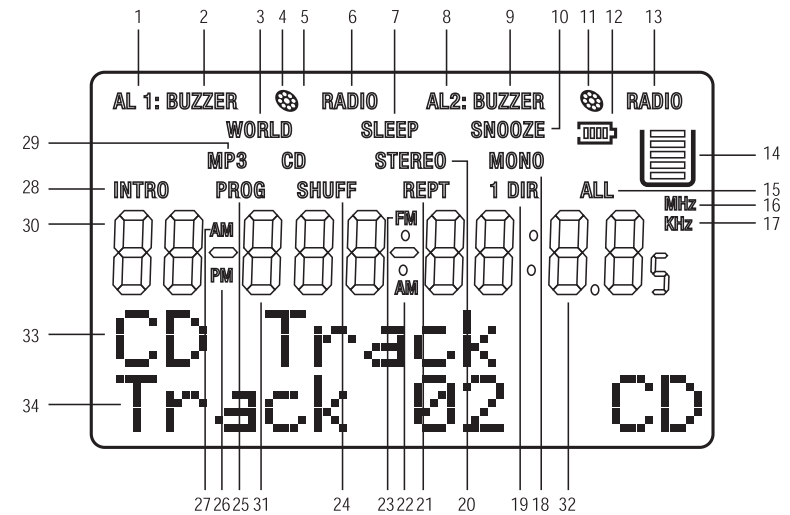


INTRODUZIONE segue

DISPLAY LCD

- 1 **AL 1** – Segnala l'attivazione dell'allarme 1.
- 2/9 **CICALINO** – Indica l'impostazione della modalità Cicalino per l'allarme 1 o 2.
- 3 **WORLD** – Appare quando si imposta o verifica l'ora UTC
- 4/11 **ICONA DEL CD** – Indica l'impostazione della modalità CD per l'allarme 1 o 2.
- 5 **CD** – Si illumina durante la lettura di un CD.
- 6/13 **RADIO** – Indica l'impostazione della modalità Radio per l'allarme 1 o 2.
- 7 **SLEEP** – Segnala l'attivazione della modalità Sleep Timer.
- 8 **AL 2** – Indica l'attivazione dell'allarme 2.
- 10 **SNOOZE** – Conferma l'attivazione di Snooze dopo lo squillo di un allarme della sveglia.
- 12 **Icona della batteria** – Indica l'avvenuto inserimento delle batterie. Lampeggia quando le batterie cominciano a scaricarsi.
- 14 **Icona ESP** – Segnala l'uso o la memorizzazione dei dati durante la lettura di un CD/MP3.
- 15 **ALL** – Appare quando è attiva la ripetizione di tutte le piste del CD/MP3.
- 16 **MHz** – Indica la frequenza FM.
- 17 **KHz** – Indica la frequenza AM.
- 18 **MONO** – Modalità di ascolto monoaurale.
- 19 **DIR** – Si illumina quando è attiva la ripetizione della directory del CD/MP3.
- 20 **STEREO** – Modalità di ascolto stereofonica.

- 21 **REPT 1** – Indica la ripetizione di una pista del CD/MP3.
- 22 **AM** – La radio è sintonizzata sulla banda AM.
- 23 **FM** – La radio è sintonizzata sulla banda FM.
- 24 **SHUFF** – Indica la modalità casuale di lettura del CD/MP3
- 25 **PROG** – E' in corso la programmazione della sequenza di lettura del /MP3 oppure la lettura delle piste programmate.
- 26 **PM** – Quando si imposta l'orologio, indica le ore pomeridiane.
- 27 **AM** – Quando si imposta l'orologio, indica le ore antimeridiane.
- 28 **INTRO** – Segnala l'attivazione della scansione introduttiva.
- 29 **MP3** – E' in corso la lettura di un disco MP3.
- 30 **Directory del CD/MP3**
- 31 **Pista del CD/MP3**
- 32 **Durata/tempo trascorso di lettura del CD/MP3**
- 33 **Indicazione del giorno della settimana/nome dell'album MP3/CD**
- 34 **Data/Brano, artista e velocità di campionamento dell'MP3/Pista e velocità di campionamento del CD**



4 INSTALLAZIONE E COLLEGAMENTI

COLLEGAMENTO DEI DIFFUSORI

Il lettore è completo di due diffusori gemelli distaccabili. Il lettore funziona sia con i diffusori inseriti nel coperchio che con gli speaker separati. Una volta estratti dal coperchio i diffusori possono essere posti nella posizione giudicata più opportuna collegandoli al lettore con l'apposito cavo. A questo fine:

1. Premere delicatamente sui diffusori per farli scorrere fuori dal coperchio.
2. Collegare le spine del cavo in dotazione, una nella presa jack del diffusore e l'altra nel jack SPEAKERS L o R [diffusori Sn/Dx], sul lato destro del lettore.
3. Articolare il piedistallo incorporato di ciascun diffusore ed appoggiare stabilmente gli speaker nella posizione selezionata, tenendo presenti i limiti imposti dalla lunghezza del cavo.

COLLEGAMENTO DELLE CUFFIE

Per un ascolto privato, è possibile ascoltare il lettore in cuffia o con auricolari stereo dotati di una spina da 3,5 mm da collegarsi all'apposita presa, sul lato destro dell'unità.

SICUREZZA ACUSTICA

Per proteggere l'udito, usare le cuffie o gli auricolari in conformità alle seguenti direttive:

- Impostare il volume sull'impostazione più bassa prima di cominciare l'ascolto. Una volta iniziato, regolare il volume fino ad ottenere un livello confortevole.
- Non ascoltare la radio o la musica a tutto volume. L'ascolto prolungato ad alto volume può causare deficit uditivi permanenti.
- Una volta impostato il volume, non aumentarlo. Col tempo, le orecchie si adattano al livello di rumorosità a cui sono esposte, perciò un volume che non sembra causare disagi può comunque danneggiare l'udito.

SICUREZZA DI GUIDA

Non indossare cuffie o auricolari mentre si è impegnati alla guida di un mezzo motorizzato o di una bicicletta. Tale comportamento è pericoloso ed illegale. Sebbene alcuni modelli permettano di ascoltare anche i suoni esterni durante l'ascolto a volume normale, costituiscono comunque un pericolo per la guida e sono vietati dal codice della strada.

5 ALIMENTAZIONE DELL'UNITA'

Il lettore può essere alimentato da una di queste due fonti:

- 4 batterie alcaline ministilo AA.
- Rete elettrica CA tramite un trasformatore CA/CC da 7,5 V CC, 800 mA.

BATTERIE

Intraprendere questi passi per installare le batterie:

1. Premere, far scorrere nella direzione della freccia e sollevare lo sportello dello scompartimento batterie.
2. Inserire quattro batterie AA, orientandole in base ai simboli di polarità (+ e -) indicati all'interno dello scompartimento.
3. Richiudere lo sportello.

ATTENZIONE!

- Usare sempre batterie nuove del tipo specificato. Non usare assieme batterie vecchie e nuove, di tipo diverso o batterie ricaricabili di capacità diversa.
- Rimuovere le batterie se si prevede di non alimentare il lettore a batteria per almeno un mese o se si decide di usare solamente il trasformatore CA/CC. Le batterie inutilizzate possono perdere acido e danneggiare la circuiteria interna.

NOTE

- Quando l'icona della batteria lampeggia sul display, sostituire le batterie scariche, visto che causano distorsioni acustiche e l'indebolimento del volume.

- Quando si estraggono le batterie, l'ora viene memorizzata per 3 minuti. Le batterie devono essere sostituite rapidamente per impedire l'azzeramento dell'orologio.
- Smaltire le batterie usate in conformità alla normativa vigente. Non bruciarle né interrarle.

TRASFORMATORE CA/CC

L'unità può essere alimentata in rete CA tramite una comune presa a muro, usando il trasformatore in dotazione da 7,5 V CC, 800 mA.

Intraprendere i passi di cui sotto per collegare il trasformatore al lettore:

1. Inserire la spina del cavo CC del trasformatore nella presa jack DC IN 7.5V, sul lato destro del lettore.
2. Inserire la spina del cavo di alimentazione del trasformatore CA/CC in una presa a muro di rete.

ATTENZIONE: Una volta finito di usare il trasformatore CA/CC, scollegarlo prima dalla presa CA a muro e poi dalla presa jack dell'unità.

NOTA: Il collegamento del trasformatore CA/CC all'unità causa lo scollegamento automatico delle batterie.

6 ISTRUZIONI OPERATIVE

ISTRUZIONI OPERATIVE: CD/MP3

CARICAMENTO DEI DISCHI

1. Per aprire il lettore, far scorrere il pulsante **OPEN PLAYER** nella direzione della freccia.
2. Premere il pulsante **OPEN LID** sull'angolo anteriore sinistro del lettore per aprire il coperchio.
3. Afferrare il disco per il bordo e inserirlo delicatamente nello scompartimento del CD/MP3, fissandolo sul perno con l'etichetta CD/MP3 orientata verso l'alto.
4. Premere il pulsante **CLOSE LID** del coperchio per proteggere il CD/MP3 durante il playback.

LETTURA DEI DISCHI

Premere il pulsante **PLAY/PAUSE**. Il lettore comincia a leggere le informazioni memorizzate su disco. Il display visualizza l'indicazione di lettura in corso **READING**.

- Se si sta eseguendo un disco CD, il display indica **CD Track** ed elenca il numero di pista ed il relativo tempo trascorso, mentre la velocità di playback del CD scorre sulla parte inferiore dello schermo.
- Se si sta eseguendo un disco MP3, il display elenca il numero di directory e quello di pista, il tempo trascorso ed il nome dell'artista, mentre il titolo della pista scorre sulla parte inferiore dello schermo. Il playback comincia dalla prima pista della prima directory. Si illuminano sul display le spie MP3 o ESP.

NOTA: Ogni volta che si preme un pulsante di comando il display si retroillumina per circa 4 secondi.

ESP (ELECTRONIC SKIP PROTECTION O PROTEZIONE ELETTRONICA ANTIURTO)

Questo lettore comprende circuiti speciali di memorizzazione e playback della musica che impediscono i "salti". Per i CD, la memoria consente 40 secondi di playback, mentre nel caso dei dischi MP3, il playback è di 120 secondi.

Il sistema ESP viene attivato automaticamente in risposta alla pressione del pulsante **PLAY/PAUSE**. L'icona ESP visualizzata sul display indica la quantità di memoria usata per la memorizzazione o la lettura. Il livello di memoria fluttua nel corso del playback.

Se si sta ascoltando un CD, è possibile disattivare il sistema ESP premendo il pulsante **SAS/+10**. L'icona sparisce dal display. Per riattivare la funzione ESP, premere di nuovo questo pulsante. L'icona ESP riappare sul display.

Se si sta ascoltando un disco MP3, non è possibile disattivare la funzione ESP. Va notato che durante la lettura di un MP3, il disco non gira quando il lettore legge la memoria ESP. In effetti, gira solo durante la memorizzazione. L'icona ESP riflette i vari livelli di memoria interessati da questo ciclo.

REGOLAZIONE DEL VOLUME

Far ruotare la manopola del **VOLUME** nella direzione indicata su lato destro del lettore per conseguire il livello di ascolto desiderato.

EQUALIZZATORE

Durante la lettura di un CD/MP3, è possibile migliorare la qualità di ascolto premendo il pulsante **EQ/PROG** per selezionare un effetto equal-

ISTRUZIONI OPERATIVE segue

izzatore preprogrammato. Le cinque impostazioni disponibili sono **DBB**, **POP**, **JAZZ**, **CLASSIC** e **DISCO**. Premendo in successione il pulsante **EQ/PROG**, di cambia impostazione, una dopo l'altra. Per non selezionare alcun effetto equalizzatore, scegliere l'impostazione **NORMAL**.

NOTA: La funzione EQ è disponibile solo ai fini del playback di un CD/MP3.

PAUSA DEL PLAYBACK

Per sospendere temporaneamente la lettura, premere il pulsante **PLAY/PAUSE**. L'indicazione del tempo trascorso lampeggia sul display mentre il CD continua a girare. La pausa interrompe invece la rotazione del disco MP3.

Per riprendere l'ascolto, premere di nuovo il pulsante **PLAY/PAUSE**. Il numero della pista corrente viene indicato sul display.

ARRESTO DEL PLAYBACK

Il playback dei CD/MP3 viene arrestato automaticamente alla fine dell'ultima pista o dell'ultima pista dell'ultima directory. Per arrestare precocemente il playback, premere il pulsante **STOP**. Se non viene intrapresa un'altra azione, dopo 30 secondi il lettore si spegne automaticamente. Per spegnere l'unità più rapidamente, premere un'altra volta il pulsante **STOP**.

Quando il disco si arresta, il display visualizza il numero totale di piste e la durata totale di ascolto del CD. Nel caso degli MP3, display visualizza anche il numero totale di directory e di piste.

RICERCA A SALTII

Per effettuare una ricerca in avanti o all'indietro durante la lettura, mantenere premuto il pulsante **SCAN UP/DOWN**.

Il display visualizza il rapido cambiamento del tempo trascorso. Una volta raggiunto il punto desiderato, rilasciare il pulsante **SCAN UP/DOWN** per ricominciare il normale playback.

NOTA: La ricerca si arresta automaticamente una volta raggiunta la fine dell'ultima pista o l'inizio della prima pista.

SELEZIONE DELLE PISTE

CD

Per selezionare una pista specifica, premere ripetutamente il comando **SCAN UP/DOWN** finché non si visualizza la pista desiderata. Il display visualizza il numero di pista man mano che procede la ricerca.

MP3

Durante la lettura di un MP3, è consentito:

1. Premere ripetutamente il pulsante **SCAN UP** per saltare piste in avanti e scegliere la pista o la directory desiderate. Il playback inizia automaticamente.
2. Premere una volta il pulsante **SCAN DOWN** per saltare all'indietro e raggiungere l'inizio della pista corrente. Premere ripetutamente **SCAN DOWN** per saltare all'indietro e scegliere la pista o la directory desiderate. Il playback inizia automaticamente.

ISTRUZIONI OPERATIVE segue

Quando si arresta il playback di un disco MP3, senza spegnere il lettore, è possibile:

1. Premere ripetutamente il comando **SCAN UP/DOWN** per trovare la directory o la pista desiderate.
2. Premere il pulsante **PLAY/PAUSE** per cominciare la lettura dalla pista corrente.

NOTA: Durante la lettura, premere il pulsante **SAS/+10** per saltare in avanti dieci piste per volta.

LETTURA RIPETUTA

Mentre si ascolta un disco CD/MP3, premendo il pulsante **MODE** si attiva una delle tre possibili impostazioni di ripetizione della lettura. L'impostazione viene modificata ogni volta che si preme il pulsante **MODE** in successione:

1. Ripetizione di una pista - Durante il playback, premere **MODE** finché il display non indica **REPT 1** [ripetizione 1]. La pista corrente viene ripetuta di continuo.
2. Ripetizione di una directory - Durante il playback dei soli dischi MP3, premere il pulsante **MODE** finché il display non indica **REPT DIR** [ripetizione directory]. La directory corrente viene ripetuta di continuo.
3. Ripetizione di tutte le piste - Durante il playback, premere **MODE** finché il display non indica **REPT ALL** [ripetizione di tutte le piste]. Tutte le piste vengono ripetute di continuo.

SCANSIONE INTRODUTTIVA

E' possibile ascoltare in anteprima i primi 10 secondi di ciascuna pista per determinarne il gradimento. Attenersi alla seguente procedura per avviare il playback Intro Scan:

1. Arrestare il playback premendo il pulsante **STOP**.
2. Premere il pulsante **MODE** finché il display non indica **INTRO**.
3. Premere il pulsante **PLAY/PAUSE**. Intro Scan inizia automaticamente dalla prima pista.
4. Per cancellare la scansione introduttiva, premere il pulsante **STOP**.

LETTURA CASUALE

La funzione Shuffle permette di leggere tutte le piste in ordine casuale. Per iniziare lo shuffle, intraprendere questi passi:

1. Arrestare il playback premendo il pulsante **STOP**.
2. Premere il pulsante **MODE** finché il display non indica **SHUFF**.
3. Premere il pulsante **PLAY/PAUSE** per iniziare immediatamente la lettura casuale del disco.
4. Per annullare lo shuffle, premere il pulsante **STOP**.

LETTURA PROGRAMMATA

E' possibile programmare un massimo di 99 piste da leggersi nell'ordine selezionato dall'utente. E' possibile programmare più volte la lettura della stessa pista.

ISTRUZIONI OPERATIVE segue

PROGRAMMAZIONE DI UNA SEQUENZA DI PLAYBACK CD/MP3

CD

1. Arrestare il playback premendo il pulsante **STOP**.
2. Premere il pulsante **EQ/PROG** finché il display non indica **PROG** e **PROGRAM: 01**.
3. Premere ripetutamente il comando **SCAN UP/DOWN** per trovare la pista da programmare.
4. Premere di nuovo il pulsante **EQ/PROG** per memorizzarla come **PROGRAM: 01**, **PROGRAM: 02**, etc.
5. Premere il pulsante **PLAY/PAUSE** per leggere la pista programmata. Il display visualizza l'indicazione **PROG**.
6. Ripetere i passi 1 – 5 per programmare un massimo di 99 piste.

MP3

1. Arrestare il playback premendo il pulsante **STOP**.
2. Premere il pulsante **EQ/PROG** finché il display non indica **PROG** e **PROGRAM: 01**.
3. Premere il pulsante **ALBUM** per selezionare la directory desiderata.
4. Premere ripetutamente il comando **SCAN UP/DOWN** per trovare la pista da programmare.

5. Premere di nuovo il pulsante **EQ/PROG** per memorizzarla come **PROGRAM: 01**, **PROGRAM: 02**, etc.
6. Premere il pulsante **PLAY/PAUSE** per leggere la pista programmata. Il display visualizza il messaggio **PROG**.
7. Ripetere i passi 1 – 7 per programmare un massimo di 99 piste.

ESECUZIONE DELLA SEQUENZA PROGRAMMATA

Premere il pulsante **PLAY/PAUSE** mentre il messaggio **PROG** è visualizzato sul display. Durante la lettura, è possibile premere il comando **SCAN UP/DOWN** per saltare in avanti o all'indietro o impostare il playback ripetuto di una o di tutte le piste programmate premendo il pulsante **MODE**.

Una volta letta l'ultima pista programmata, il lettore si arresta automaticamente.

Cancellazione di una sequenza programmata

1. Premere il pulsante **STOP** durante la lettura di una sequenza programmata. Il messaggio **PROG** sparisce dal display. Oppure,
2. Aprire il coperchio del disco premendo il pulsante **OPEN**, oppure
3. Scollegare dalla rete il trasformatore **CA/CC** per spegnere l'unità.

ISTRUZIONI OPERATIVE segue

ISTRUZIONI OPERATIVE:
SINTONIZZATORE AM/FM

ASCOLTO DELLA RADIO

1. Premere il pulsante **TUNER/BAND** per accendere il sintonizzatore. Ogni volta che si accende il sintonizzatore, la radiosveglia si sintonizza automaticamente sulla stazione ascoltata per ultima.
2. Premere ripetutamente il pulsante **TUNER/BAND** per selezionare la banda AM o FM.
3. Adottare uno dei metodi indicati sotto per sintonizzarsi sulla stazione desiderata. Il display visualizza la frequenza del caso.
 - Sintonia memorizzata – Premere i pulsanti **PRESET+/PRESET-**. Quando si seleziona una della emittenti preimpostate, il display visualizza il numero di canale CH0 e la frequenza FM--MHz/AM--KHz. Sono disponibili 20 preimpostazioni per le stazioni FM e di 10 per le stazioni AM.
 - Sintonia manuale – Premere brevemente il comando **SCAN UP/DOWN** per sintonizzarsi manualmente in avanti o all'indietro sulla stazione radio desiderata.
 - Sintonia automatica – Premere a lungo i pulsanti **SCAN UP/DOWN** o **MODE** per sintonizzarsi automaticamente in avanti o all'indietro sulla prossima emittente che assicuri una buona ricezione. Premere due volte il pulsante **EQ/PROG** o una volta sola il pulsante **STOP** per arrestare la sintonia automatica.

NOTE

- Fuori dal Nord America, è necessario apportare la seguente modifica per ascoltare bene le stazioni AM ed FM:
 - *Accendere la radio.
 - *Mentre si mantiene premuto il pulsante **ALBUM**, premere e rilasciare il pulsante **TUNER/BAND**.
 - *L'indicazione EUROPE AREA viene visualizzata sul display per circa 3 secondi. Se, dopo aver apportato questa modifica, si finisce per usare la radio nel Nord America, ripetere la procedura precedente, facendo apparire sul display l'indicazione USA AREA.
- Per ottimizzare la ricezione FM, allungare e regolare l'antenna FM telescopica.
- Durante l'ascolto di una trasmissione FM stereo, se il segnale è sufficientemente forte, l'indicazione STEREO appare sul display. Se la ricezione è scadente o rumorosa, è possibile migliorarla premendo il pulsante **ST/MONO** per impostare l'ascolto monoaurale, come confermato dall'indicazione MONO visualizzata sul display.
- Premere il pulsante **STOP** per spegnere la radio.

ISTRUZIONI OPERATIVE segue

MEMORIZZAZIONE DELLE STAZIONI

E' possibile memorizzare un massimo di 20 stazioni FM e di 10 stazioni AM. Per definire le preimpostazioni in memoria delle stazioni, intraprendere i passi di cui sotto:

1. Premere ripetutamente il pulsante **TUNER/BAND** per selezionare la banda AM o FM.
2. Premere il comando **SCAN UP/DOWN** per sintonizzarsi sulla stazione desiderata.
3. Selezionare la memoria con i pulsanti **PRESET+/PRESET-**. Una volta selezionata la memoria, premere il pulsante **EQ/PROG** per memorizzare la preimpostazione.
4. Ripetere i passi 1 – 3 per memorizzare altre stazioni.

RECUPERO DELLE STAZIONI IN
MEMORIA

1. Premere il pulsante **TUNER/BAND** per selezionare la banda AM o FM.
2. Premere i pulsanti **PRESET+/PRESET-** per individuare la stazione memorizzata che si desidera ascoltare.
3. Arrestarsi una volta visualizzata la preimpostazione desiderata. La radio si sintonizza automaticamente su tale stazione, consentendone l'ascolto.

ISTRUZIONI OPERATIVE:
OROLOGIO/SVEGLIAIMPOSTAZIONE DELL'ORA LOCALE
E DELLA DATA

Quando si collega inizialmente la fonte di alimentazione o dopo un periodo prolungato fuori tensione, il display visualizza 12:00 SATURDAY JAN/01/2000.

E' possibile selezionare una delle numerose città di tutto il mondo per definire la propria ora locale. Una volta impostata l'ora locale, il lettore è in grado di indicare automaticamente l'ora in diverse città del mondo. Intraprendere i passi seguenti per impostare l'ora locale o la data:

1. Premere il pulsante **WORLD/LOCAL** per tre secondi finché non appare sul display il nome di una città.
2. Premere il comando **UP/DOWN** per selezionare il nome della propria città o fuso orario.
3. Premere il pulsante **SET** per due secondi per memorizzare l'impostazione. Il nome della città viene sostituito sul display dal giorno della settimana.
4. Premere di nuovo il pulsante **SET** se non si vuole far riapparire il nome della città. Il display fa lampeggiare l'anno.
5. Premere il comando **UP/DOWN** per selezionare l'anno corrente.
6. Premere di nuovo il pulsante **SET** per memorizzare l'impostazione. Il display fa lampeggiare il mese.

ISTRUZIONI OPERATIVE segue

7. Premere il comando **UP/DOWN** per selezionare il mese corrente.
8. Premere di nuovo il pulsante **SET** per memorizzare l'impostazione. Il display fa lampeggiare il giorno.
9. Premere il comando **UP/DOWN** per selezionare il giorno corrente.
10. Premere un'altra volta il pulsante **SET** per memorizzare l'impostazione. Il display fa lampeggiare l'ora.
11. Premere il comando **UP/DOWN** per selezionare l'ora corrente.
12. Premere di nuovo il pulsante **SET** per memorizzare l'impostazione. Il display fa lampeggiare i minuti.
13. Premere il comando **UP/DOWN** per selezionare i minuti correnti.
14. Premere nuovamente il pulsante **SET** per memorizzare l'impostazione dei minuti. A questo punto l'ora o la data sono impostate.

VISUALIZZAZIONE DELL'ORA UTC

Per visualizzare l'ora universale, premere ripetutamente il pulsante **WORLD/LOCAL** finché il display non visualizza il nome della città desiderata. L'ora relativa viene visualizzata per circa 4 secondi. Nello stesso tempo, lampeggia l'indicazione **WORLD**.

SELEZIONE DELLA MODALITA' ORARIA

Il lettore consente di scegliere la modalità oraria a 12 o a 24 ore dell'orologio, anche quando è spento. A questo fine intraprendere i seguenti passi:

1. Premere il pulsante **SLEEP** per circa tre secondi, l'indicazione **HOUR MODE** [modalità oraria] appare sul display.
2. Premere il comando **UP/DOWN** per selezionare la modalità 12 HOUR o 24 HOUR e poi premere il pulsante **SET** per memorizzare l'impostazione.

SVEGLIA

IMPOSTAZIONE DELL'ORA DI SVEGLIA:

Intraprendere questi passi per impostare il tempo di Alarm 1/Alarm 2:

1. Premere il pulsante **ALARM 1/ALARM 2** per selezionare l'allarme.
2. Premere il pulsante **SET** per far lampeggiare l'indicazione dell'ora.
3. Premere il comando **UP/DOWN** per selezionare l'ora desiderata.
4. Premere di nuovo il pulsante **SET** per memorizzare l'impostazione e far lampeggiare i minuti.
5. Premere il comando **UP/DOWN** per selezionare i minuti desiderati.
6. Premere di nuovo il pulsante **SET** per memorizzare i minuti e concludere l'impostazione dell'allarme.
7. Premere il pulsante **ALARM ON/OFF** finché non si visualizza la sequenza giusta di sveglia **ON/OFF** e poi premere il pulsante **SET** per memorizzarla o annullarla. L'icona **AL 1** o **AL 2** indica sul display quale allarme sia impostato.

NOTA: Una volta impostato l'allarme, il display visualizza ne l'impostazione per circa dieci secondi prima di tornare alla visualizzazione dell'orologio.

ISTRUZIONI OPERATIVE segue

ATTIVAZIONE/DISATTIVAZIONE DELLA SVEGLIA

Attendersi ai passi di cui sotto per attivare/disattivare l'Alarm 1/Alarm 2:

1. Premere una volta il pulsante **ALARM ON/OFF** per visualizzare Alarm 1 o Alarm 2.
2. Premere ripetutamente il pulsante **ALARM ON/OFF** o il comando **UP/DOWN** per individuare la combinazione desiderata di impostazioni della sveglia.
3. Premere il pulsante **SET** o rilasciare semplicemente il comando per memorizzare le impostazioni. Le icone degli allarmi corrispondenti si illuminano sul display.
4. Quando squilla la sveglia, premere qualsiasi pulsante per disattivare il cicalino o il pulsante **STOP** per spegnere il CD/MP3 o la radio. In caso contrario, tutti gli allarmi smettono di squillare automaticamente dopo 5 minuti.
 - Accertarsi che il lettore visualizzi l'orologio impostato sull'ora locale prima di attivare gli allarmi. Dopo l'impostazione dell'orologio/sveglia o la visualizzazione delle impostazioni di allarme, bisogna attendere 5 secondi prima che l'unità visualizzi di nuovo l'orologio impostato sull'ora locale.
 - Il volume del CD/MP3 attivato in risposta allo squillo dell'allarme corrisponde a quello impostato per ultimo. Vale la pena di controllare il livello di ascolto al momento di impostare gli allarmi ed accertarsi che sia adatto alla sveglia.

SELEZIONE DELLA MODALITA' DI ALLARME

La modalità di allarme predefinita è il cicalino, ma è possibile modificarla in attivazione del CD/MP3 o della radio.

Per cambiare la modalità di allarme, intraprendere questi passi:

1. Premere ripetutamente il pulsante **ALARM MODE** o il comando **UP/DOWN** per trovare la combinazione desiderata di modalità di allarme.
2. Premere il pulsante **SET** o rilasciare semplicemente il comando per memorizzare le impostazioni.
3. L'icona dell'allarme corrispondente appare sul display.
 - Se si seleziona il cicalino, il display indica **AL 1 BUZZER** o **AL 2 BUZZER**.
 - Se si seleziona l'attivazione del CD/MP3/WMA, il display indica **AL 1** o **AL 2**.
 - Se si seleziona l'attivazione della radio, il display indica **AL 1 RADIO** o **AL 2 RADIO**.

Una volta visualizzata l'indicazione della modalità di allarme desiderata, interrompere la pressione del comando **UP/DOWN** ed attendere alcuni secondi. La modalità di allarme viene impostata automaticamente, anche se si può premere il pulsante **SET** per memorizzarla.

ISTRUZIONI OPERATIVE segue

VISUALIZZAZIONE DELLE IMPOSTAZIONI DELLA SVEGLIA

Per visualizzare le impostazioni di allarme, intraprendere i seguenti passi:

- Premere una volta il pulsante **ALARM 1/ALARM 2**, il display visualizza l'impostazione dell'allarme 1 (compresa l'ora o la modalità) per circa 5 secondi prima di tornare a visualizzare l'orologio in tempo locale.
- Premere due volte il pulsante **ALARM 1/ALARM 2**, il display visualizza l'allarme 2 per circa cinque secondi prima di tornare a visualizzare l'orologio in tempo locale.
- Premere ripetutamente il pulsante **ALARM 1/ALARM 2** per passare a ripetizione da un allarme all'altro.

MODALITA' SNOOZE

Quando squilla la sveglia, è possibile premere il pulsante **SNOOZE** per posporre l'allarme di 5 minuti. In modalità Snooze o pisolo, l'indicazione SNOOZE appare sul display.

7 ALTRE CARATTERISTICHE

RETROILLUMINAZIONE

Premendo qualsiasi pulsante del lettore, si retroillumina il display per circa 4 secondi.

MODALITA' SLEEP

La modalità Sleep o spegnimento differito permette di impostare la messa fuori tensione automatica del lettore una volta trascorso un predefinito lasso di tempo, mentre è in corso la lettura di un CD/MP3 o l'ascolto della radio. La modalità Sleep può essere impostata su 15, 30, 45, 60 o 90 minuti. Con il lettore acceso, intraprendere questi passi per attivare la modalità Sleep:

1. Premere una volta il pulsante **SLEEP** per entrare in modalità Sleep e visualizzare sul display l'indicazione SLEEP IN 15 MINUTES [spegnimento in 15 minuti].
2. Premere ripetutamente il comando **UP/DOWN** o il pulsante **SLEEP** per scegliere il tempo desiderato di attesa.
3. Premere il pulsante **SET** per memorizzare il tempo selezionato di spegnimento differito. L'indicazione SLEEP appare sul display.

NOTA: Dopo lo spegnimento del lettore in modalità Sleep, l'indicazione SLEEP sparisce dal display.

DISATTIVAZIONE DELLA MODALITÀ SLEEP

1. Premere ripetutamente il pulsante **SLEEP** finché l'indicazione SLEEP OFF non appare sul display.
2. Premere il pulsante **SET** per cancellare l'impostazione di spegnimento differito. L'indicazione SLEEP sparisce dal display.

IMPOSTAZIONE DEI BASSI

Al fine di ottimizzare l'ascolto, questo lettore offre tre impostazioni diverse dei bassi. Tali impostazioni sono Stereo, TruBass o SRS 3D. Sul lato destro del lettore, far scorrere l'interruttore dei bassi su TruBass o SRS 3D per migliorare l'effetto Bass o determinare il livello ottimale di ascolto. Per mantenere l'impostazione normale senza effetto Bass migliorato, porre l'interruttore nella posizione centrale, corrispondente alla posizione Stereo.

8 INDIVIDUAZIONE DEI GUASTI

Se opportunamente maneggiato e curato, il lettore dovrebbe funzionare per anni ed anni senza problemi. Tuttavia, in caso di avaria, mettere in pratica le azioni qui suggerite per cercare di risolvere o correggere la situazione. Se il problema persiste, richiedere assistenza alla Etón Corporation.

PROBLEMA	CAUSA PROBABILE	SUGGERIMENTO
Il lettore non legge il CD/MP3/WMA.	Il disco non è orientato verso l'alto.	Reinstallare il disco con l'etichetta orientata verso l'alto.
	Il disco non è stato caricato bene.	Caricare bene il disco.
	Il disco è sporco o difettoso.	Pulire o sostituire il disco CD/MP3.
	Le batterie sono scariche o vecchie.	Sostituire le batterie
Il lettore non produce alcun suono o emette un suono intermittente.	Il trasformatore CA/CC non è ben collegato.	Controllare ed eventualmente collegare bene il trasformatore.
	I diffusori o le cuffie sono collegati male.	Controllare ed eventualmente collegare bene i diffusori.
La ricezione radio è scadente o distorta.	Il lettore CD/MP3/WMA è soggetto a vibrazioni eccessive o ad urti	Appoggiare il lettore su una superficie stabile.
	La stazione è sintonizzata male.	Risintonizzarsi con cura sulla stazione.
	L'antenna è regolata male.	Regolare l'antenna FM telescopica per ottimizzare la ricezione.

9 CURA E MANUTENZIONE

L'appropriata cura e manutenzione del lettore richiede la messa in pratica dei seguenti suggerimenti:

- Non lasciar cadere il lettore nell'acqua né spruzzarlo con acqua. Se si bagna, asciugarlo immediatamente con un panno. I liquidi possono contenere minerali capaci di corrodere la circuiteria elettronica.
- Usare e conservare il lettore alla normale temperatura d'ambiente. Le temperature estreme possono accorciare la durata dei dispositivi elettronici, danneggiare le batterie e deformare o fondere i componenti in plastica.
- Tener lontano il lettore dalla polvere e dallo sporco, evitando l'usura prematura dei relativi componenti.
- Maneggiare il lettore con cura e delicatezza. Le cadute possono danneggiare le schede stampate o causare avarie.
- Usare solo batterie fresche del tipo e della capacità appropriati. Le batterie vecchie possono perdere acido e danneggiare i componenti elettronici del lettore.
- Di tanto in tanto, strofinare il lettore con un panno umido per ravvivarne l'aspetto. Non usare sostanze chimiche aggressive, solventi di pulizia né detergenti forti, ma solo acqua e sapone non abrasivo.
- La modifica o la manomissione dei componenti interni può causare avarie ed annulla la garanzia.

SUGGERIMENTI PER LA CURA DEI DISCHI CD/MP3


I dischi CD/MP3 siano estremamente durevoli ed attenendosi ai seguenti suggerimenti è possibile ottimizzarne le prestazioni:

- Quando non si dà loro ascolto, conservare i dischi all'interno del lettore o nelle loro custodie o buste protettive.
- Afferrare i dischi per gli orli, evitando di lasciare impronte digitali, pena possibili "salti" o distorsioni.
- Non scrivere sul lato non destinato all'etichetta.
- Mantenere asciutti i dischi, visto che le goccioline di condensa possono fungere da lente e causare distorsioni acustiche.
- Non usare mai sostanze chimiche quali gli spray per pulire gli LP, le soluzioni antistatiche liquide o a spruzzo, il benzene o i diluenti per pulire i dischi, pena il danneggiamento permanente della loro superficie in plastica.

IMPORTANTI ISTRUZIONI PER LA SICUREZZA

AVVERTENZA

- NON ESPORRE L'APPARECCHIO ALLA PIOGGIA O ALL'UMIDITA' PER EVITARE I RISCHI DI INCENDIO O DI FOLGORAZIONE.
- GOCCIOLAMENTO: questo prodotto non deve essere esposto al gocciolamento o agli spruzzi ed è vietato appoggiarvi sopra alcun oggetto pieno di liquido, tipo i vasi o i bicchieri d'acqua.
- VENTILAZIONE: durante l'uso, la normale ventilazione del prodotto non deve essere ostacolata in alcun modo.



PERICOLO! L'APERTURA ED GUASTO O L'ESCLUSIONE DEL BLOCCAGGIO DI SICUREZZA PUO' CAUSARE L'ESPOSIZIONE A RADIAZIONI LASER INVISIBILI. EVITARE L'ESPOSIZIONE DIRETTA AL RAGGIO LASER.

ATTENZIONE

RISCHIO DI FOLGORAZIONE

NON APRIRE

ATTENZIONE! PER RIDURRE IL RISCHIO DI FOLGORAZIONE, NON RIMUOVERE IL COPERCHIO (NE' IL RIVESTIMENTO POSTERIORE). L'UNITA' CON CONTIENE ALCUN COMPONENTE INTERNO RIPARABILE DALL'UTENTE. AFFIDARE LE RIPARAZIONI SOLAMENTE A PERSONALE QUALIFICATO.



TENSIONE PERICOLOSA: all'interno della scatola dell'unità sono presenti tensioni pericolose non schermate, di intensità sufficiente da presentare il rischio di folgorazione.

ATTENZIONE! Il manuale operativo contiene importanti istruzioni per il funzionamento e la manutenzione. fare riferimento al manuale per garantire la sicurezza e l'incolumità personale.

EVITARE DI INSTALLARE L'UNITA' NELLE SEGUENTI UBICAZIONI:

- Luoghi direttamente esposti alla luce solare o vicine ad apparecchi radianti calore, tipo i termosifoni elettrici.
- Luoghi privi di ventilazione o polverose.
- Luoghi soggetti a continue vibrazioni.
- Luoghi umidi o bagnati.

QUESTO PRODOTTO UTILIZZA UN LASER.

PERICOLO - L'apertura dell'unità o il guasto o l'esclusione del bloccaggio di sicurezza può causare l'esposizione a radiazioni laser invisibili.

ATTENZIONE - L'uso di comandi, di regolazioni o di procedure non specificamente indicate da questo manuale può esporre a radiazioni pericolose.

IL LETTORE LASER PER COMPACT DISC UTILIZZA LUCE LASER INVISIBILE ED E' DOTATO DI INTERRUTTORI DI SICUREZZA ATTI AD EVITARE L'ESPOSIZIONE A SEGUITO DELL'APERTURA DEL COPERCHIO O DELL'ESCLUSIONE DEI BLOCCAGGI DI SICUREZZA. E' PERICOLOSO ESCLUDERE O AGGIRARE GLI INTERRUTTORI DI SICUREZZA.

11 SPECIFICHE

Risposta in frequenza (+/-4 dB)	20 – 20.000 Hz
Frequenza di campionamento	244,1 kHz
Sovracampionamento.....	28 volte
Lunghezza d'onda	2780 nm
Frequenza radio	FM (per gli USA) 87,5 – 107,9 MHz (0,2 MHz per passo) (per l'Europa) 87,5 – 108 MHz
Frequenza radio	AM (per gli USA) 530 – 1710K Hz con 10 KHz per passo (per l'Europa) 531 – 1602 KHz
Requisiti di alimentazione.....	Quattro batterie alcaline ministilo AA trasformatore CA/CC (7,5 V CC, 800 mA)
Potenza in uscita	600 mW
Dimensioni (ALP)	38 x 145 x 169,4 mm
Peso (senza batterie)	0,52 kg

12 INFORMAZIONI SUL SERVIZIO

E' possibile mettersi in contatto con il Service Department della Etón per ottenere ulteriori informazioni.

customersvc@etoncorp.com

Richiedere una autorizzazione alla resa prima di spedire l'unità. Ai fini della spedizione in ditta dell'unità per farla riparare, imballare con cura il ricevitore usando la scatola originale a un altro contenitore adatto. Scrivere in modo leggibile il proprio indirizzo sulla scatola di spedizione o in una lettera allegata, descrivendo l'intervento richiesto, i sintomi o i problemi. Inoltre, indicare il proprio numero di telefono diurno ed allegare una copia della prova di acquisto. Il ricevitore verrà riparato in conformità alle condizioni della garanzia limitata Etón e rispedito al mittente.

13 GARANZIA LIMITATA DI UN ANNO

La Etón garantisce all'acquirente originale che questo prodotto è privo di difetti di materiali o di lavorazione per un periodo di un anno a decorrere dalla data di acquisto originale.

Durante il periodo di garanzia, la Etón o un centro autorizzato di servizio Etón fornirà a titolo gratuito i pezzi e la manodopera necessari per ovviare ai difetti di materiali o di lavorazione. La Etón può, a proprio parere insindacabile, sostituire una unità difettosa con una nuova.

1. Compilare e spedire la scheda di registrazione della garanzia entro dieci (10) giorni dalla data di acquisto.
2. Una volta scoperto un possibile difetto, telefonare quanto prima alla Etón o al centro autorizzato di servizio più vicino. Indicare:
 - a. il modello ed il numero di serie.
 - b. l'identità del venditore e la data approssimata d'acquisto.
 - c. una descrizione particolareggiata del problema, compresi i dettagli dei collegamenti elettrici con le associate attrezzature e l'elenco di tali attrezzature.
3. La Etón indicherà il numero di autorizzazione alla resa e l'indirizzo a cui recapitare l'unità. Spedire l'unità nel contenitore originale o in un suo equivalente, assicurata ed a carico del mittente.

Per garantire il rendimento ottimale di questo prodotto è importante che sia sottoposto a manutenzione, riparato ed usato in modo appropriato. Di conseguenza, leggere attentamente il manuale operativo. Questa garanzia non si applica ad alcun difetto che la Etón determini prodotto da:

1. Erronea manutenzione o riparazione, compresa l'installazione di parti o accessori difformi quanto a qualità o specifiche dai pezzi originali.
2. Uso erroneo, abuso, incuria o installazione errata.
3. Danni accidentali o intenzionali.
4. Perdita dalle batterie.

Tutte le eventuali garanzie implicite, comprese quelle di commerciabilità e di idoneità ad uno scopo particolare, scadono dopo un (1) anno dalla data di acquisto originale.

Quanto esposto sopra costituisce l'intera obbligazione della Etón relativa a questo prodotto e l'acquirente originale non ha altro ricorso né diritto a rivendicazioni per danni accessori o emergenti, perdite o spesa alcuna. Alcuni stati non consentono di limitare la durata di una garanzia implicita o le esclusioni o limitazioni dei danni accessori o emergenti, pertanto i limiti esposti sopra possono non essere sempre applicabili. Questa garanzia attribuisce all'acquirente specifici diritti. L'acquirente può godere di altri diritti che variano da stato a stato.

PER INFORMAZIONI SUGLI INTERVENTI DI RIPARAZIONE E SERVIZIO, RIVOLGERSI A:

Etón Corporation
www.etoncorp.com

From the United States: (800) 872-2228

From Canada: (800) 637-1648

From Everywhere Else: (650) 903-3866

Email: customersvc@etoncorp.com

Internet: www.etoncorp.com

Etón Corporation

1015 Corporation Way

Palo Alto, California 94303

USA

eton

Free Manuals Download Website

<http://myh66.com>

<http://usermanuals.us>

<http://www.somanuals.com>

<http://www.4manuals.cc>

<http://www.manual-lib.com>

<http://www.404manual.com>

<http://www.luxmanual.com>

<http://aubethermostatmanual.com>

Golf course search by state

<http://golfingnear.com>

Email search by domain

<http://emailbydomain.com>

Auto manuals search

<http://auto.somanuals.com>

TV manuals search

<http://tv.somanuals.com>