

If you have questions or comments, contact us.
Pour toute question ou tout commentaire, nous contacter.
Si tiene dudas o comentarios, contáctenos.

1-800-4-DEWALT • www.dewalt.com

INSTRUCTIVO DE OPERACIÓN, CENTROS DE SERVICIO Y PÓLIZA DE GARANTÍA. ADVERTENCIA: LEASE ESTE INSTRUCTIVO ANTES DE USAR EL PRODUCTO.

INSTRUCTION MANUAL
GUIDE D'UTILISATION
MANUAL DE INSTRUCCIONES

DEWALT®

DWM120

Heavy-Duty Deep Cut Variable Speed Band Saw

Scie à ruban à vitesse variable de service intensif pour coupes profondes

Sierra de banda para trabajo pesado, de velocidad variable para cortes profundos

DEWALT Industrial Tool Co., 701 Joppa Road, Baltimore, MD 21286
(AUG08) Part No. 662802-00 DWM120 Copyright © 2008 DEWALT

The following are trademarks for one or more DEWALT power tools: the yellow and black color scheme; the "D" shaped air intake grill; the array of pyramids on the handgrip; the kit box configuration; and the array of lozenge-shaped humps on the surface of the tool.

Definitions: Safety Guidelines

The definitions below describe the level of severity for each signal word. Please read the manual and pay attention to these symbols.

▲ DANGER: Indicates an imminently hazardous situation which, if not avoided, **will** result in **death or serious injury**.

▲ WARNING: Indicates a potentially hazardous situation which, if not avoided, **could** result in **death or serious injury**.

▲ CAUTION: Indicates a potentially hazardous situation which, if not avoided, **may** result in **minor or moderate injury**.

CAUTION: Used without the safety alert symbol indicates a potentially hazardous situation which, if not avoided, **may** result in **property damage**.

IF YOU HAVE ANY QUESTIONS OR COMMENTS ABOUT THIS OR ANY DEWALT TOOL, CALL US TOLL FREE AT: 1-800-4-DEWALT (1-800-433-9258).

WARNING: To reduce the risk of injury, read the instruction manual.

General Power Tool Safety Warnings

WARNING! Read all safety warnings and instructions. Failure to follow the warnings and instructions may result in electric shock, fire and/or serious injury.

SAVE ALL WARNINGS AND INSTRUCTIONS FOR FUTURE REFERENCE

The term "power tool" in the warnings refers to your mains-operated (corded) power tool or battery-operated (cordless) power tool.

1) WORK AREA SAFETY

- Keep work area clean and well lit. Cluttered or dark areas invite accidents.
- Do not operate power tools in explosive atmospheres, such as in the presence of flammable liquids, gases or dust. Power tools create sparks which may ignite the dust or fumes.
- Keep children and bystanders away while operating a power tool. Distractions can cause you to lose control.

2) ELECTRICAL SAFETY

- Power tool plugs must match the outlet. Never modify the plug in any way. Do not use any adapter plugs with earthed (grounded) power tools. Unmodified plugs and matching outlets will reduce risk of electric shock.
- Avoid body contact with earthed or grounded surfaces such as pipes, radiators, ranges and refrigerators. There is an increased risk of electric shock if your body is earthed or grounded.
- Do not expose power tools to rain or wet conditions. Water entering a power tool will increase the risk of electric shock.
- Do not abuse the cord. Never use the cord for carrying, pulling or unplugging the power tool. Keep cord away from heat, oil, sharp edges or moving parts. Damaged or entangled cords increase the risk of electric shock.
- When operating a power tool outdoors, use an extension cord suitable for outdoor use. Use of a cord suitable for outdoor use reduces the risk of electric shock.
- If operating a power tool in a damp location is unavoidable, use a ground fault circuit interrupter (GFCI) protected supply. Use of a GFCI reduces the risk of electric shock.

3) PERSONAL SAFETY

- Stay alert, watch what you are doing and use common sense when operating a power tool. Do not use a power tool while you are tired or under the influence of drugs, alcohol or medication. A moment of inattention while operating power tools may result in serious personal injury.
- Use personal protective equipment. Always wear eye protection. Protective equipment such as dust mask, non-skid safety shoes, hard hat, or hearing protection used for appropriate conditions will reduce personal injuries.
- Prevent unintentional starting. Ensure the switch is in the off position before connecting to power source and/or battery pack, picking up or carrying the tool. Carrying power tools with your finger on the switch or energising power tools that have the switch on invites accidents.
- Remove any adjusting key or wrench before turning the power tool on. A wrench or a key left attached to a rotating part of the power tool may result in personal injury.
- Do not overreach. Keep proper footing and balance at all times. This enables better control of the power tool in unexpected situations.
- Dress properly. Do not wear loose clothing or jewellery. Keep your hair, clothing and gloves away from moving parts. Loose clothes, jewellery or long hair can be caught in moving parts.
- If devices are provided for the connection of dust extraction and collection facilities, ensure these are connected and properly used. Use of dust collection can reduce dust-related hazards.

4) POWER TOOL USE AND CARE

- Do not force the power tool. Use the correct power tool for your application. The correct power tool will do the job better and safer at the rate for which it was designed.
- Do not use the power tool if the switch does not turn it on and off. Any power tool that cannot be controlled with the switch is dangerous and must be repaired.
- Disconnect the plug from the power source and/or the battery pack from the power tool before making any adjustments, changing accessories, or storing power tools. Such preventive safety measures reduce the risk of starting the power tool accidentally.
- Store idle power tools out of the reach of children and do not allow persons unfamiliar with the power tool or these instructions to operate the power tool. Power tools are dangerous in the hands of untrained users.
- Maintain power tools. Check for misalignment or binding of moving parts, breakage of parts and any other condition that may affect the power tool's operation. If damaged, have the power tool repaired before use. Many accidents are caused by poorly maintained power tools.
- Keep cutting tools sharp and clean. Properly maintained cutting tools with sharp cutting edges are less likely to bind and are easier to control.
- Use the power tool, accessories and tool bits etc., in accordance with these instructions taking into account the working conditions and the work to be performed. Use of the power tool for operations different from those intended could result in a hazardous situation.

5) SERVICE

- Have your power tool serviced by a qualified repair person using only identical replacement parts. This will ensure that the safety of the power tool is maintained.

Additional Safety Rules - Portable Band Saws

- Hold tool by insulated gripping surfaces when performing an operation where the cutting tool may contact hidden wiring. Contact with a "live" wire will make exposed metal parts of the tool "live" and shock the operator.
- Keep hands away from cutting area and blade. Keep one hand on the main handle and the other hand on the front handle to prevent loss of control which could result in personal injury.
- Always make sure the portable band saw is clean before using.
- Always cease operation at once if you notice any abnormality whatsoever.
- Always be sure all components are mounted properly and securely before using tool.
- Always handle the band saw blade with care when mounting or removing it.
- Always keep your hands out of the line of the band saw blade.
- Always wait until the motor has reached full speed before starting a cut.
- Always keep handles dry, clean, and free of oil and grease. Hold the tool firmly when in use.
- Always be alert at all times, especially during repetitive, monotonous operations. Always be sure of position of your hands relative to the blade.
- Never remove work stop.
- Stay clear of end pieces that may fall after cutting off. They may be hot, sharp and/or heavy. Serious personal injury may result.
- An extension cord must have adequate wire size (AWG or American Wire Gauge) for safety. The smaller the gauge number of the wire, the greater the capacity of the cable, that is 16 gauge has more capacity than 18 gauge. An undersized cord will cause a drop in line voltage resulting in loss of power and overheating. When using more than one extension to make up the total length, be sure each individual extension contains at least the minimum wire size. The following table shows the correct size to use depending on cord length and nameplate ampere rating. If in doubt, use the next heavier gauge. The smaller the gauge number, the heavier the cord.

Minimum Gauge for Cord Sets						
Ampere Rating		Volts	Total Length of Cord in Feet (meters)			
		120V	25 (7.6)	50 (15.2)	100 (30.5)	150 (45.7)
		240V	50 (15.2)	100 (30.5)	200 (61.0)	300 (91.4)
		AWG				
More Than	Not More Than					
0	6	18	16	16	14	
6	10	18	16	14	12	
10	12	16	16	14	12	
12	16	14	12	Not Recommended		

▲ WARNING: ALWAYS use safety glasses. Everyday eyeglasses are NOT safety glasses. Also use face or dust mask if cutting operation is dusty. ALWAYS WEAR CERTIFIED SAFETY EQUIPMENT:

- ANSI Z87.1 eye protection (CAN/CSA Z94.3),
- ANSI S12.6 (S3.19) hearing protection,
- NIOSH/OSHA/MSHA respiratory protection.

▲ WARNING: Some dust created by power sanding, sawing, grinding, drilling, and other construction activities contains chemicals known to the State of California to cause cancer, birth defects or other reproductive harm. Some examples of these chemicals are:

- lead from lead-based paints,
- crystalline silica from bricks and cement and other masonry products, and
- arsenic and chromium from chemically-treated lumber.

Your risk from these exposures varies, depending on how often you do this type of work. To reduce your exposure to these chemicals: work in a well ventilated area, and work with approved safety equipment, such as those dust masks that are specially designed to filter out microscopic particles.

▲ WARNING: Avoid prolonged contact with dust from power sanding, sawing, grinding, drilling, and other construction activities. Wear protective clothing and wash exposed areas with soap and water. Allowing dust to get into your mouth, eyes, or lay on the skin may promote absorption of harmful chemicals.

▲ WARNING: Use of this tool can generate and/or disburse dust, which may cause serious and permanent respiratory or other injury. Always use NIOSH/OSHA approved respiratory protection appropriate for the dust exposure. Direct particles away from face and body.

▲ WARNING: Always wear proper personal hearing protection that conforms to ANSI S12.6 (S3.19) during use. Under some conditions and duration of use, noise from this product may contribute to hearing loss.

The label on your tool may include the following symbols. The symbols and their definitions are as follows:

V.....volts	A.....amperes
Hz.....hertz	W.....watts
min.....minutes	~alternating current
— — —direct current	~alternating or direct current
ⓁClass I Construction (grounded)	n _ono load speed
ⓂClass II Construction (double insulated)	Ⓧearthing terminal
.../minper minute	▲safety alert symbol
SFPM.....surface feet per minute	BPM.....beats per minute
	RPMrevolutions per minute

SAVE THESE INSTRUCTIONS FOR FUTURE USE

COMPONENTS (FIG. 1, 2)

- | | |
|-------------------------------|-----------------------|
| A. Multi-position bail handle | I. Speed wheel |
| B. Sight light | J. Rubber bumpers |
| C. Trigger switch | K. Hang hook |
| D. Main handle | L. Pulley |
| E. Work stop | M. Blade guard |
| F. Guide rollers | N. Rubber tires |
| G. Blade tracking adjustment | O. Blade |
| H. Blade tension lever | P. Sight light switch |

ASSEMBLY

Blades

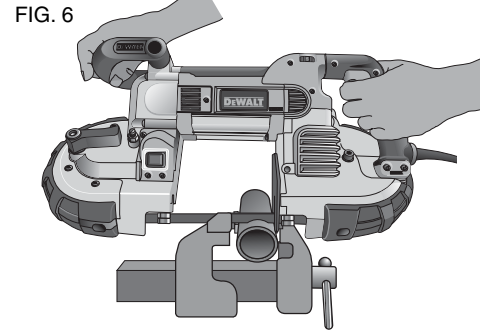
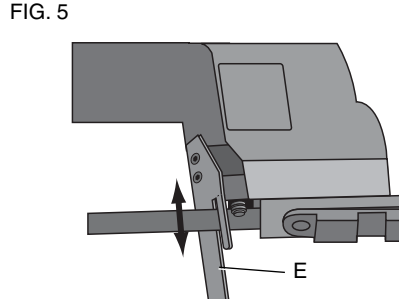
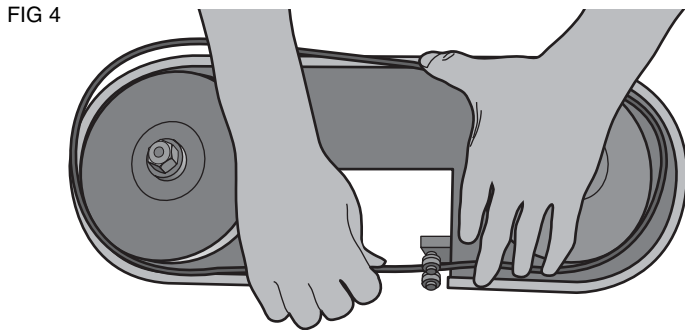
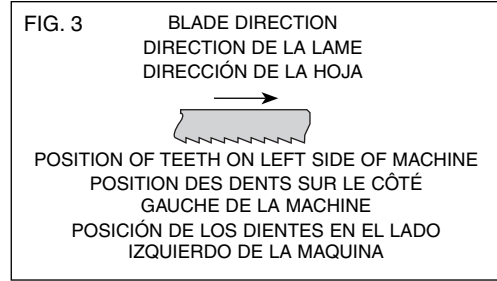
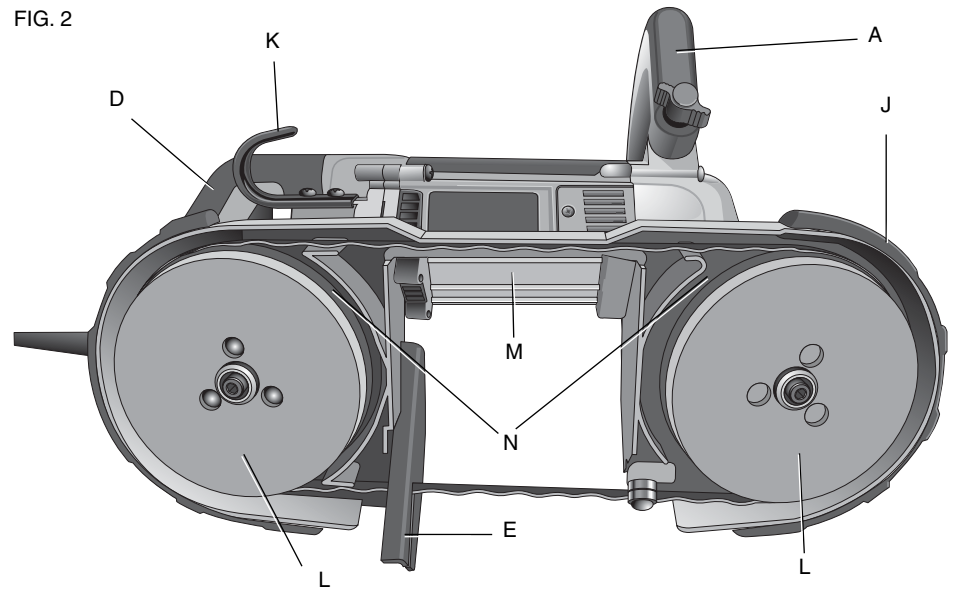
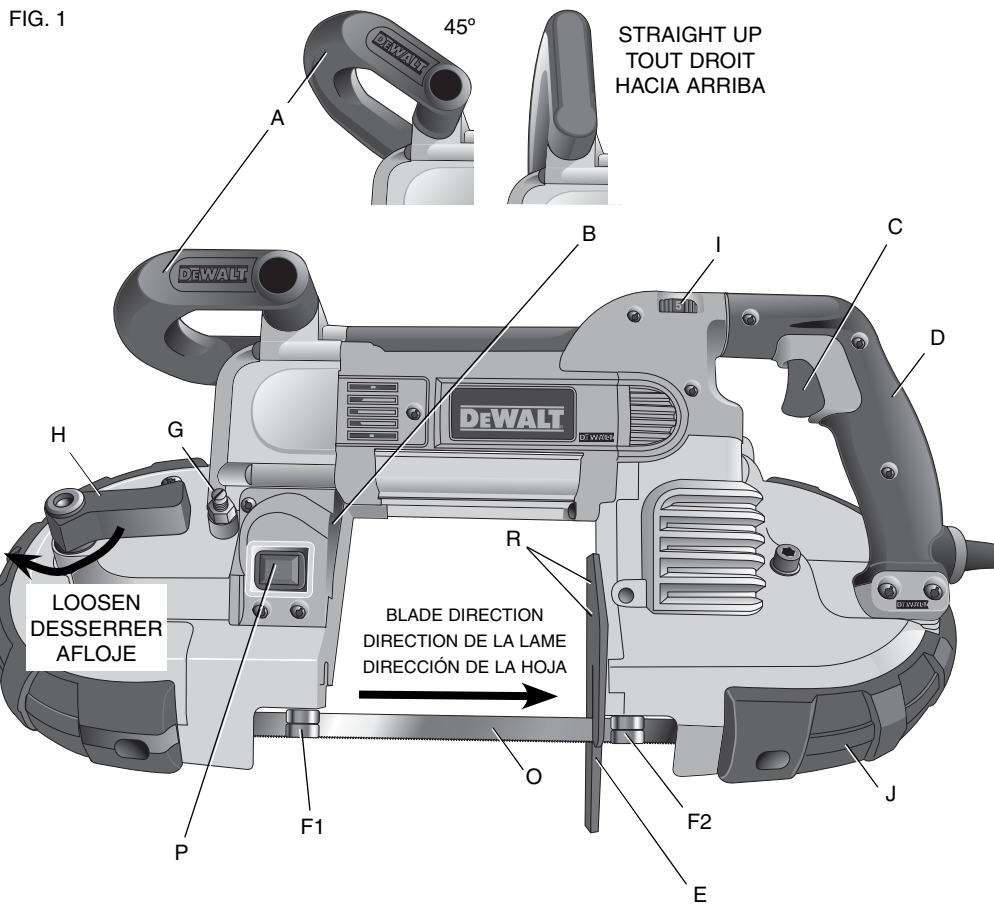
This portable band saw is setup for use with .020" (0.5 mm) thick, 1/2" (12.5 mm) wide and 44-7/8" (1140 mm) long blades. **DO NOT** use .025 (.64 mm) thick blades.

▲ CAUTION: The use of any other blade or accessory might be hazardous. DO NOT use any other type of accessory with your band saw. Blades used on stationary band saws are of different thickness. Do not attempt to use them on your portable unit.

Blade Selection

In general, first consider the size and shape of the work, and the type of material to be cut. Remember, for the most efficient cutting, the coarsest tooth blade possible should be used in a given application, because the coarser the tooth, the faster the cut. In selecting the appropriate number of teeth per inch of the band saw blade, at least two teeth should contact the work surface when the blade is rested against the workpiece. As a rule of thumb, soft materials usually require coarse tooth blades, while hard materials require fine tooth blades. Where a smoother finish is important, select one of the finer tooth blades.

Select the appropriate band saw blade according to the material type, dimensions, and number of teeth. See **Blade Description** chart.



The following table is intended as a general guide only. Determine the type of material and dimension of the workpiece and select the most appropriate band saw blade.

CAUTION: Never use the band saw to cut resin materials which are subject to melting. Melting of resin material caused by high heat generated during cutting may cause the band saw blade to become bound to the material, possibly resulting in overload and burn-out of the motor.

BLADE DESCRIPTION						
Type of band saw blade	Bi-Metal					
Number of teeth	24	18	14	10	14/18	10/14
Workpiece thickness						
1/8" (3.2 mm) and under	•	•				
1/8" - 1/4" (3.2 mm - 6.4 mm)			•		•	
1/4" - 13/32" (6.4 mm - 10.3 mm)				•		•
13/32" (10.3 mm) and over				•		

Blade Speed

Your DWM120 portable band saw is equipped with variable speed for greater versatility. Turn the speed wheel (I) to select the desired speed (Fig. 1). Speed 1 is the slowest speed; Speed 5 is the fastest. Use speed settings 1-5 when connected to an AC power supply.

When cutting copper, brass, bronze, aluminum, cast iron, angle iron, and mild steel, use a higher speed.

When cutting plastic pipe, tougher steels, chrome steel, tungsten steel, stainless steel, and other problem materials, use low speed.

NOTE: When cutting plastic pipe, higher speeds may melt plastic.

Blade Tracking

WARNING: To reduce the risk of serious personal injury, turn tool off and disconnect tool from power source before making any adjustments or removing/installing attachments or accessories. An accidental start-up can cause injury.

Your band saw is equipped with an adjustable blade tracking mechanism which assures proper blade tracking at all times. The back edge of a properly aligned blade will run lightly against one or both of the back up rollers in the blade guides. (The pressure between the edge of the blade and the roller will be very slight and will not damage either the blade or the roller.)

TO ADJUST THE BLADE TRACKING

- Use a 1/2" (13 mm) wrench to loosen the adjustment locking nut (G), shown in Figure 1 by turning it one or two turns counterclockwise.
- Use a screwdriver to turn the tracking screw 1/4 turn. Turning the screw clockwise will move the blade up toward the blade guide rollers. Turning the screw counterclockwise will move the blade down away from the rollers.
- Adjust so that the back edge of the blade lightly touches the rollers then securely tighten the locking nut. (It will be necessary to plug the saw in and run it to observe the tracking.)
- Observe blade tracking between runs and repeat Steps 1-4 as necessary to achieve proper blade tracking.

Removing and Installing Blades

WARNING: To reduce the risk of serious personal injury, turn tool off and disconnect tool from power source before making any adjustments or removing/installing attachments or accessories. An accidental start-up can cause injury.

CAUTION: Cut Hazard. Blade tension lever is under spring pressure. Maintain control of lever when releasing blade tension.

TO REMOVE BLADE (FIG. 1, 2)

- Rotate the blade tension lever (H) clockwise until it stops to release tension in blade.
- Turn the saw over and place it on a workbench or table with the cord to the left.
- Begin removing the blade at the blade guard (M) and continue around the pulleys (L). When removing the blade, tension may be released and the blade may spring free. SAW BLADES ARE SHARP. USE CARE IN HANDLING THEM.
- Inspect the guide rollers (F1, F2) and remove any large chips which may be lodged in them. Lodged chips can prevent rotation of the guide rollers and cause flat spots on the guide rollers.
- Rubber tires (N) are mounted on the pulleys (L). The rubber tires should be inspected for looseness or damage when changing the blade. Wipe any chips from the rubber tires on the pulleys. This will extend tire life and keep the blade from slipping. If any looseness or damage occurs, the tool should be brought to an authorized DEWALT service center for repair or replacement as soon as possible. Continued use of the tool with loose or damaged rubber tires will cause unstable travel of the band saw blade.

TO INSTALL BLADE (FIG. 1, 3-5)

- Position the blade so that the teeth are on the bottom and angled toward the work stop, as shown in Figures 1 and 3.
- Slip the blade into the guide rollers, as shown in Figure 4.
- Holding the blade in the guide rollers, place it around both pulleys (L) and through the work stop (E), as shown in Figure 5.
- Make sure that the blade is fully inserted into the guide rollers and positioned squarely against the rubber tires.
- Rotate the blade tension lever (H) counterclockwise until it stops and then gently turn the saw over so that the pulleys rest on your work bench or table and. Make sure the teeth face away from the bandsaw (Fig. 1, 3).
- Turn the speed wheel to low speed (1) and then turn the saw on and off a few times to ensure that the blade is seated properly.

Multi-position Bail Handle (Fig. 1)

A bail handle is provided for carrying the tool and for use as an additional handle. Assemble the bail handle in one of the multi-positions (forward, 45° or straight up) shown in Figure 1. When adjusting the bail handle from one position to the other, loosen the bail handle knob and move the handle to one of the three positions and tighten knob.

Adjustments

WARNING: To reduce the risk of serious personal injury, turn tool off and disconnect tool from power source before making any adjustments or removing/installing attachments or accessories. An accidental start-up can cause injury.

FIG. 7 RECOMMENDED CUTTING POSITIONS / POSITIONS DE COUPE RECOMMANDÉES / POSICIONES DE CORTE RECOMENDADAS

YES / OUI / SÍ	NO / NON / NO	YES / OUI / SÍ	NO / NON / NO
YES / OUI / SÍ	NO / NON / NO	YES / OUI / SÍ	NO / NON / NO
YES / OUI / SÍ	NO / NON / NO	YES / OUI / SÍ	NO / NON / NO

Item	Model	DWM120
Motor	Type	Protected type, series commutator motor
	Power source	single-phase, AC 60Hz
	Voltage	120 volts
	Full-load current	10 amp
Band Saw Blade	Dimensions	1/2" x 44-7/8" x .020" (12.5 mm x 1140 mm x .5 mm)
	Peripheral speed	100 - 350 ft/min (30 - 106 m/min)
Max. Cutting Dimensions	Pipe outer dimensions	4-3/4" (120.7 mm)
Net Weight	Stock	5" x 4-3/4" (127 mm x 120.7 mm)
Cord		15 lbs. (6.8 kg)
		3 conductor type captive cable 8.0 ft. (2.4 m)

Article	Modèle	DWM120
Moteur	Type	Type protégé, série moteur à collecteur
	Source de courant	monophasé, CA 60Hz
	Tension	120 volts
	Courant de pleine charge	10 amp
Lame de scie à ruban	Dimensions	12,5 mm x 1140 mm x 0,5 mm (1/2 po x 44-7/8 po x 0,020 po)
	Vitesse périphérique	30 - 106 m/min (100 - 350 pi/min)
Longueurs max. de coupe	Dimensions externes de tuyau	120.7 mm (4-3/4 po)
	Bois spéciaux	127 mm x 120.7 mm (5 po x 4-3/4 po)
Poids net		6,8 kg (15 lb)
Cordon		Cordon à 3 broches et 3 conducteurs de 2,4 m (8 pi)

Artículo	Modelo	DWM120
Motor	Tipo	Tipo protegido, serie de motor commutador
	Alimentación Eléctrica	Corriente alterna de 60Hz, monofásica
	Voltaje	120 voltios
	Corriente a carga completa	10 amperios
Hoja de la Sierra de Banda	Dimensiones	12.5 mm x 1140 mm x .5 mm (1/2 pulg. x 44-7/8 pulg. x .020 pulg.)
	Velocidad periférica	30 - 106 m/min (100 - 350 pie/min)
Máx. Dimensiones de Corte	Dimensiones externas de tubería	120.7 mm (4-3/4 pulg.)
	Reserva	127 mm x 120.7 mm (5 pulg. x 4-3/4 pulg.)
Peso Neto		6,8 kg (15 lbs)
Cable		3 Cables tipo cautivos conductores de 2,4 m (8,0 pie)

WORK STOP ADJUSTMENT

To support large workpieces, the work stop should be lowered following these steps:

1. Loosen the two screws (R), shown in Figure 1, with the hex wrench provided.
2. Move the work stop (E) to the desired position (Fig 5).
3. Securely tighten screws (R).

OPERATION

Motor

Be sure your power supply agrees with the voltage marked on the nameplate. 120 Volts AC 60 Hz means alternating current only. Voltage decrease of more than 10% will cause loss of power and overheating. All DEWALT tools are factory-tested. If this tool does not operate, check the power supply line for blown fuses and the plug and receptacle for proper contact. There are certain applications for which this tool was designed.

This band saw is designed to cut various types of material up to 4-3/4" (120.7 mm) diameter or 5" (127 mm) x 4-3/4" (120.7 mm) rectangular shape at 90°.

▲ WARNING: Thoroughly remove any oil or grease from the workpiece before securing in a vise or other clamping device. If the workpiece is not secure, it may come loose during the cutting and/or cause breakage, which may result in serious personal injury.

▲ WARNING: Never connect the power tool unless the available AC power is of the same voltage as that specified on the nameplate of the tool. Never connect this power tool to a DC power source.

▲ WARNING: Laceration Hazard. If the power cord is connected to the power source with the trigger switch turned ON the power tool will start suddenly and could cause a serious accident.

Trigger Switch

To start the tool, squeeze the trigger switch (C). To turn the tool off, release the switch.

Cutting

▲ WARNING: To reduce the risk of serious personal injury, turn tool off and disconnect tool from power source before making any adjustments or removing/installing attachments or accessories. An accidental start-up can cause injury.

Refer to Figure 7 for recommended cutting positions for various materials.

NOTE: Select and use a band saw blade that is most appropriate for the material being cut. See **BLADE DESCRIPTION**.

This portable band saw may be hung using the hang hook (K). Hang tool on a pipe vice or other suitable, stable structure. (Fig. 2)

1. Mount the material to be cut solidly in a vise or other clamping device.

▲ WARNING: Never attempt to use this tool by resting it upside down on a work surface and bringing the material to the tool. Always securely clamp the workpiece and bring the tool to the workpiece, securely holding the tool with two hands as shown in Figure 6.

2. If additional light is needed, a sight light (B) can be activated using the sight light switch (P) as shown in Figure 1. If replacement is required, return to an authorized service center or other qualified service personnel, always using identical replacement parts.

▲ WARNING: To reduce the risk of electric shock, **DO NOT** use the tool if LED lens is broken.

3. Bring the work stop (E) into contact with the workpiece. Turn the saw ON.

4. When saw reaches desired rotation speed, slowly and gently tilt the main body of the tool to bring the band saw blade into contact with the workpiece. Do not apply additional pressure in excess of the weight of the main body of the tool. Carefully avoid bringing the band saw blade suddenly and heavily into contact with the upper surface of the workpiece. This will cause serious damage to the band saw blade. To obtain maximum service life of the band saw blade, ensure there is no sudden impact at the beginning of the cutting operation.

5. As shown in Figure 6, straight cutting can be accomplished by keeping the band saw blade aligned with the side surface of the motor housing. Any twisting or cocking of the blade will cause the cut to go offline and decrease the life of the blade.

CAUTION: During cutting, if the band saw becomes locked or jammed in the workpiece material, release the switch immediately to avoid damage to the band saw blade and motor.

6. The tool's own weight provides the most efficient downward cutting pressure. Added operator pressure slows the blade and reduces blade life.
7. End pieces, which would be heavy enough to cause injury when they drop, after cut-off, should be supported. Safety shoes are strongly recommended. End pieces may be hot.
8. Hold the saw firmly in both hands so that the saw does not fall against clamped or supported material when the cut is completed. **DO NOT MAKE ANY SPEED CHANGES UNLESS TOOL HAS BEEN TURNED OFF.**

Tips for Better Cutting

The following recommendations should be used as a guide. Results may vary with the operator and the particular material being cut.

- Never twist the band saw blade during cutting operation.
- Never use liquid coolants with portable band saws. Use of liquid coolants will cause build-up on tires and reduce performance.
- If excessive vibration occurs during the cut, turn the bandsaw off and adjust the speed slightly. Ensure that the material being cut is is securely clamped down. If vibration continues, change the band saw blade.

MAINTENANCE

▲ WARNING: To reduce the risk of serious personal injury, turn tool off and disconnect tool from power source before making any adjustments or removing/installing attachments or accessories. An accidental start-up can cause injury.

Lubrication

Self-lubricating bearings are used in the tool and periodic relubrication is not required. In the unlikely event that service is ever needed, take your tool to an authorized service location.

Cleaning

▲ WARNING: Blow dirt and dust out of all air vents with dry air at least once a week. Wear proper ANSI Z87.1 (CAN/CSA Z94.3) eye protection and proper NIOSH/OSHA/MSHA respiratory protection when performing this.

▲ WARNING: Never use solvents or other harsh chemicals for cleaning the non-metallic parts of the tool. These chemicals may weaken the materials used in these parts. Use a cloth dampened only with water and mild soap. Never let any liquid get inside the tool; never immerse any part of the tool into a liquid.

Repairs

To assure product SAFETY and RELIABILITY, repairs, maintenance and adjustments (including brush inspection and replacement) should be performed by a DEWALT factory service center, a DEWALT authorized service center or other qualified service personnel. Always use identical replacement parts.

ACCESSORIES

▲ WARNING: Since accessories, other than those offered by DEWALT, have not been tested with this product, use of such accessories with this tool could be hazardous. To reduce the risk of injury, only DEWALT, recommended accessories should be used with this product.

Recommended accessories for use with your tool are available at extra cost from your local dealer or authorized service center. If you need assistance in locating any accessory, please contact DEWALT Industrial Tool Co., 701 East Joppa Road, Baltimore, MD 21286, call 1-800-4-DEWALT (1-800-433-9258) or visit our website www.dewalt.com.

Three Year Limited Warranty

DEWALT will repair, without charge, any defects due to faulty materials or workmanship for three years from the date of purchase. This warranty does not cover part failure due to normal wear or tool abuse. For further detail of warranty coverage and warranty repair information, visit www.dewalt.com or call 1-800-4-DEWALT (1-800-433-9258). This warranty does not apply to accessories or damage caused where repairs have been made or attempted by others. This warranty gives you specific legal rights and you may have other rights which vary in certain states or provinces.

In addition to the warranty, DEWALT tools are covered by our:

1 YEAR FREE SERVICE

DEWALT will maintain the tool and replace worn parts caused by normal use, for free, any time during the first year after purchase.

90 DAY MONEY BACK GUARANTEE

If you are not completely satisfied with the performance of your DEWALT Power Tool, Laser, or Nailer for any reason, you can return it within 90 days from the date of purchase with a receipt for a full refund – no questions asked.

LATIN AMERICA: This warranty does not apply to products sold in Latin America. For products sold in Latin America, see country specific warranty information contained either in the packaging, call the local company or see website for warranty information.

FREE WARNING LABEL REPLACEMENT: If your warning labels become illegible or are missing, call 1-800-4-DEWALT for a free replacement.



Définitions : lignes directrices en matière de sécurité

Les définitions ci-dessous décrivent le niveau de danger pour chaque mot-indicateur employé. Veuillez lire le mode d'emploi et porter une attention particulière à ces symboles.

▲ DANGER : indique une situation dangereuse imminente qui, si elle n'est pas évitée, causera la mort ou des blessures graves.

▲ AVERTISSEMENT : indique une situation potentiellement dangereuse qui, si elle n'est pas évitée, pourrait se solder par un décès ou des blessures graves.

▲ ATTENTION : indique une situation potentiellement dangereuse qui, si elle n'est pas évitée pourrait se solder par des blessures mineures ou modérées.

ATTENTION : utilisé sans le symbole d'alerte à la sécurité, indique une situation potentiellement dangereuse qui, si elle n'est pas évitée pourrait se solder par des dommages à la propriété.

POUR TOUT COMMENTAIRE OU QUESTION RELATIF À CET OUTIL OU TOUT AUTRE OUTIL DEWALT, COMPOSEZ GRATUITEMENT LE : 1-800-4-DEWALT (1-800-433-9258).



AVERTISSEMENT : Pour réduire tout risque de dommage corporel, lire le manuel de l'utilisateur.

Directives de sécurité relatives aux outils électriques en général



AVERTISSEMENT ! Lire toutes les directives et consignes de sécurité. Tout manquement aux directives et consignes pose des risques de choc électrique, d'incendie et/ou de blessure grave.

CONSERVER TOUTES CES DIRECTIVES ET CONSIGNES À TITRE DE RÉFÉRENCE

Le terme « outil électrique » dans ces directives se rapporte à votre outil électrique alimenté sur secteur (avec fil) ou par piles (sans fil).

1) SÉCURITÉ - AIRE DE TRAVAIL

a) Maintenir l'aire de travail propre et bien éclairée. Les lieux encombrés ou sombres sont propices aux accidents.

b) Ne pas faire fonctionner un outil électrique dans une atmosphère explosive, en présence par exemple de poussières, gaz ou liquides inflammables. Les outils électriques peuvent produire des étincelles qui pourraient enflammer toute émanation ou poussière ambiante.

c) Tenir les enfants, ou toute autre personne, à l'écart pendant l'utilisation d'un outil électrique. Toute distraction pourrait faire perdre la maîtrise de l'appareil.

2) SÉCURITÉ – ÉLECTRICITÉ

a) La fiche électrique de l'outil doit correspondre à la prise murale. Ne jamais modifier la fiche en aucune façon. Ne jamais utiliser de fiche d'adaptation avec un outil électrique mis à la terre. L'utilisation de fiches d'origine et de prises appropriées réduira les risques de choc électrique.

b) Éviter tout contact corporel avec des éléments mis à la terre comme tuyaux, radiateurs, cuisinières ou réfrigérateurs. Les risques de choc électrique augmentent lorsque le corps est mis à la terre.

c) Ne pas exposer les outils électriques à la pluie ou à l'humidité. Toute pénétration d'un outil électrique par un liquide augmente les risques de choc électrique.

d) Ne pas utiliser le cordon de façon abusive. Ne jamais utiliser le cordon pour transporter, tirer ou débrancher un outil électrique. Protéger le cordon de la chaleur, de l'huile et de tout bord tranchant ou pièce mobile. Les cordons endommagés ou emmêlés augmentent les risques de choc électrique.

e) Lors de l'utilisation d'un outil électrique à l'extérieur, n'utiliser que des rallonges conçues pour l'extérieur. L'utilisation d'une rallonge conçue pour l'extérieur réduit les risques de choc électrique.

f) Si l'utilisation d'un outil électrique en milieu humide est inévitable, utiliser une alimentation protégée par un disjoncteur de fuites à la terre (DDFT). L'utilisation d'un DDFT réduit les risques de choc électrique.

3) SÉCURITÉ PERSONNELLE

a) Rester constamment vigilant et faire preuve de jugement pendant l'utilisation d'un outil électrique. Ne pas utiliser d'outil électrique en cas de fatigue ou sous l'influence de drogues, d'alcool ou de médicaments. Tout moment d'inattention pendant l'utilisation d'un outil électrique pose des risques de blessure grave.

b) Utiliser un équipement de protection individuel. Porter systématiquement des lunettes de protection. Le fait de porter un équipement de protection tel que masque antipoussières, chaussures antidérapantes, casque de sécurité ou protecteurs auditifs lorsque la situation le requiert, réduira les risques de dommages corporels.

c) Prévenir tout démarrage accidentel. S'assurer que l'interrupteur est en position d'arrêt avant de brancher l'outil et/ou de le connecter à un bloc-piles, et avant de le saisir ou de le transporter. Transporter un outil le doigt sur l'interrupteur, ou brancher un outil électrique alors que l'interrupteur est en position de marche, invite les accidents.

d) Retirer toute clé de réglage avant de démarrer l'outil. Une clé laissée sur une pièce rotative d'un outil électrique pose des risques de blessure.

e) Ne pas effectuer de travaux hors de portée. Les pieds doivent rester bien ancrés au sol afin de maintenir son équilibre en tout temps. Cela permet de mieux maîtriser l'outil électrique dans les situations imprévues.

f) Porter des vêtements appropriés. Ne pas porter de vêtements amples ni de bijoux. Maintenir cheveux, vêtements et gants éloignés des pièces mobiles. Vêtements amples, bijoux ou cheveux longs risquent de rester coincés dans ces pièces mobiles.

g) Lorsqu'un dispositif de connexion à un système de dépolluissage ou d'élimination est fourni, s'assurer qu'il est connecté et utilisé correctement. L'utilisation d'aspirateurs peut réduire les risques engendrés par les poussières.

4) UTILISATION ET ENTRETIEN DES OUTILS ÉLECTRIQUES

a) Ne pas forcer un outil électrique. Utiliser l'outil approprié au travail en cours. L'outil approprié effectuera un meilleur travail, de façon plus sûre et à la vitesse pour laquelle il a été conçu.

b) Ne pas utiliser un outil électrique dont l'interrupteur est défectueux. Tout appareil dont l'interrupteur est défectueux est dangereux et doit être réparé.

c) Débrancher la fiche du secteur et/ou le bloc-piles de l'outil électrique avant de faire tout réglage ou changement d'accessoire, ou avant de ranger ce dernier. Ces mesures préventives réduisent les risques de démarrage accidentel de l'appareil.

d) Après usage, ranger les outils électriques hors de la portée des enfants, et ne permettre à aucune personne n'étant pas familière avec un outil électrique (ou son manuel d'instruction) d'utiliser ce dernier. Les outils peuvent être dangereux entre les mains des novices.

e) Entretenir les outils électriques. Vérifier les pièces mobiles pour s'assurer qu'elles sont bien alignées et tournent librement, qu'elles sont en bon état et ne sont affectées d'aucune condition susceptible de nuire au bon fonctionnement de l'outil. En cas de dommage, faire réparer l'outil électrique avant toute nouvelle utilisation. Bien des accidents sont causés par des outils mal entretenus.

f) Maintenir toute lame aiguisée et propre. Les outils de coupe bien entretenus et affûtés sont moins susceptibles de se coincer et sont plus faciles à contrôler.

g) Utiliser un outil électrique, ses accessoires, mèches, etc., conformément aux présentes directives en tenant compte des conditions de travail et du travail à effectuer. L'utilisation d'un outil électrique pour toute opération autre que celle pour laquelle il a été conçu est dangereuse.

5) SERVICE

a) Faire entretenir les outils électriques par un réparateur qualifié en utilisant seulement des pièces de rechange identiques. Cela permettra d'assurer l'intégrité de l'outil électrique et la sécurité de l'utilisateur.

Règles de sécurité additionnelles - Scies à ruban portables

• **Tenir l'outil par les surfaces isolées prévues à cet effet pendant toute utilisation où l'outil coupant pourrait entrer en contact avec des fils électriques cachés.** Tout contact avec un fil sous tension met les parties métalliques exposées de l'outil sous tension et électrocute l'utilisateur.

• **Éloigner les mains des zones et organes de coupe** Tenir la poignée principale d'une main et la poignée avant de l'autre pour éviter toute perte de contrôle de l'outil et réduire ainsi tout risque de dommages corporels.

• **S'assurer systématiquement que la scie à ruban portable est propre avant toute utilisation.**

• **Arrêter systématiquement toute opération si une anomalie quelconque est décelée.**

• **S'assurer systématiquement que tous les composants sont installés correctement et solidement avant toute utilisation de l'outil.**

• **Prendre systématiquement des précautions lors de l'installation et du retrait de la lame de la scie à ruban.**

- *Éloigner systématiquement les mains de la ligne de coupe de la scie à ruban.*
- *Attendre systématiquement que le moteur tourne à plein régime avant d'entamer une coupe.*
- *Maintenir les poignées propres et sèches, exempts d'huile ou de graisse. Maintenir l'outil fermement pendant son utilisation.*
- *Rester constamment vigilant, particulièrement lors d'opérations répétitives et monotones. Rester systématiquement conscient de la position des mains par rapport à la lame.*
- *Ne jamais retirer la butée de coupe.*
- *Se protéger de la chute de tout rebus pendant la coupe. Ils pourraient être brûlants, coupants et/ou lourds et poser des risques de dommages corporels sérieux.*
- **Pour la sécurité de l'utilisateur, utiliser une rallonge de calibre adéquat (AWG, American Wire Gauge [calibrage américain normalisé des fils électriques]). Plus le calibre est petit, et plus sa capacité est grande. Un calibre 16, par exemple, a plus de capacité qu'un calibre 18. L'usage d'une rallonge de calibre insuffisant causera une chute de tension entraînant perte de puissance et surchauffe. Si plus d'une rallonge est utilisée pour obtenir une certaine longueur, s'assurer que chaque rallonge présente au moins le calibre de fil minimum. Le tableau ci-dessous illustre les calibres à utiliser selon la longueur de rallonge et l'intensité nominale indiquée sur la plaque signalétique. En cas de doute, utiliser le calibre suivant. Plus le calibre est petit, plus la rallonge peut supporter de courant.**

Calibre minimum pour rallonge						
Intensité nominale		Volts	Longueur totale du cordon en mètres (en pieds)			
			120V	7,6 (25)	15,2 (50)	30,5 (100)
		240V	15,2 (50)	30,5 (100)	61,0 (200)	91,4 (300)
Plus de	Pas plus de	AWG				
0	6		5,5 (18)	4,9 (16)	4,9 (16)	4,3 (14)
6	10		5,5 (18)	4,9 (16)	4,3 (14)	3,7 (12)
10	12		4,9 (16)	4,9 (16)	4,3 (14)	3,7 (12)
12	16		4,3 (14)	3,7 (12)	Non recommandé	

⚠️ AVERTISSEMENT : Porter SYSTÉMATIQUEMENT des lunettes de protection. Les lunettes courantes NE sont PAS des lunettes de protection. Utiliser aussi un masque antipoussières si la découpe doit en produire beaucoup. PORTER SYSTÉMATIQUEMENT UN ÉQUIPEMENT DE PROTECTION HOMOLOGUÉ.

- Protection oculaire ANSI Z87.1 (CAN/CSA Z94.3 ;
- Protection auditive ANSI S12.6 (S3.19) ;
- Protection des voies respiratoires NIOSH/OSHA/MSHA.

⚠️ AVERTISSEMENT : Les scies, meules, ponceuses, perceuses ou autres outils de construction peuvent produire des poussières contenant des produits chimiques reconnus par l'État californien pour causer cancers, malformations congénitales ou être nocifs au système reproducteur. Parmi ces produits chimiques, on retrouve :

- le plomb dans les peintures à base de plomb ;
- la silice cristallisée dans les briques et le ciment ou autres articles de maçonnerie ; et
- l'arsenic et le chrome dans le bois ayant subi un traitement chimique.

Le risque associé à de telles expositions varie selon la fréquence à laquelle on effectue ces travaux. Pour réduire toute exposition à ces produits : travailler dans un endroit bien aéré, en utilisant du matériel de sécurité homologué tel un masque antipoussières spécialement conçu pour filtrer les particules microscopiques.

- **Limiter tout contact prolongé avec les poussières provenant du ponçage, sciage, meulage, perçage ou toute autre activité de construction. Porter des vêtements de protection et nettoyer à l'eau savonneuse les parties du corps exposées.** Le fait de laisser la poussière pénétrer dans la bouche, les yeux ou la peau peut promouvoir l'absorption de produits chimiques dangereux.

⚠️ AVERTISSEMENT : Cet outil peut produire et/ou répandre de la poussière susceptible de causer des dommages sérieux et permanents au système respiratoire. Toujours utiliser un appareil respiratoire antipoussières homologué par le NIOSH ou l'OSHA. Diriger les particules dans le sens opposé au visage et au corps.

⚠️ AVERTISSEMENT : Pendant l'utilisation, porter systématiquement une protection auditive individuelle adéquate homologuée ANSI S12.6 (S3.19). Sous certaines conditions et suivant la longueur d'utilisation, le bruit émanant de ce produit pourrait contribuer à une perte de l'ouïe.

- L'étiquette apposée sur votre outil peut inclure les symboles suivants. Les symboles et leur définition sont définis ci-après :

V..... volts	A..... ampères
Hz..... hertz	W..... watts
min..... minutes	~ courant alternatif
---..... courant continu	≈ courant alternatif ou continu
Ⓛ..... Construction de classe I (mis à la terre)	n _o vitesse à vide
Ⓜ..... Construction de classe II (à double isolation)	⊕ borne de terre
RPM..... rotations ou alternance par minute	⚠️ symbole d'alerte à la sécurité
	BPM..... coups par minute
	.../min par minute
	PLPM..... Pied linéaire par minute

CONSERVER CES CONSIGNES POUR UTILISATION ULTÉRIEURE

DESCRIPTION (FIG. 1, 2)

- | | |
|---|-----------------------------|
| A. Poignée étrier multi-position | I. Régulateur de vitesse |
| B. Éclairage | J. Pare-chocs en caoutchouc |
| C. Gâchette | K. Crochet |
| D. Poignée principale | L. Poulie |
| E. Butée de coupe | M. Protège-lame |
| F. Galets de guidage | N. Pneus en caoutchouc |
| G. Réglage d'alignement de lame | O. Lame |
| H. Levier de réglage de tension de lame | P. Interrupteur |

MONTAGE

Lames

Cette scie à ruban portable a été conçue pour être utilisée avec des lames de 0,5 mm (0,020 po) d'épaisseur, 12,5 mm (1/2 po) de largeur et 1140 mm (44-7/8 po) de longueur. **NE PAS** utiliser de lames de 0,64 mm (0,025 po) d'épaisseur.

⚠️ ATTENTION : L'utilisation de toute autre lame ou tout autre accessoire comporte des risques. NE PAS utiliser tout autre type d'accessoire avec votre scie à ruban. Les lames utilisées sur des scies à ruban fixes sont d'épaisseurs différentes. Ne pas tenter de les utiliser sur votre outil portable.

Sélection de la lame

De façon générale, considérez d'abord la taille et la forme de la pièce à travailler ainsi que le type de matériau à couper. Rappelez-vous que, pour une coupe optimale, il est conseillé d'utiliser la denture de scie la plus grosse possible pour une application donnée, car plus la denture est grosse, plus la coupe est rapide. Lorsque vous choisissez le nombre approprié de dents par pouce sur la lame de scie à ruban, deux dents au minimum devraient se trouver en contact avec la surface de la pièce à travailler lorsque la lame s'y appuie. En règle générale, les matériaux tendres requièrent des lames à grosse denture, alors que les matériaux durs, des lames à denture fine. Lorsqu'un fini plus lisse est requis, choisissez une lame à denture plus fine.

Choisissez la lame de scie à ruban appropriée selon le type de matériau et ses dimensions, et le nombre de dents. Se reporter au tableau **Description des lames**.

Le tableau suivant ne se veut être qu'un guide général. Déterminer le type de matériau, les dimensions de la pièce à travailler puis choisir la lame de scie à ruban la plus appropriée.

ATTENTION : Ne jamais utiliser la scie à ruban pour couper des matériaux en résine, car ceux-ci pourraient fondre. La fonte du matériau en résine causée par la forte chaleur générée lors de la coupe peut faire que la lame de la scie à ruban reste collée au matériau, et provoquer surchauffe et grillage du moteur.

DESCRIPTION DES LAMES	Bimétallique					
	24	18	14	10	14/18	10/14
Type de lame de scie à ruban						
Nombre de dents						
Épaisseur de la pièce						
Égal ou inférieur à 3,2 mm (1/8 po)	•	•				
3,2 - 6,4 mm (1/8 po - 1/4 po)			•		•	
6,4 mm - 10,3 mm (1/4 po - 13/32 po)				•		•
Égal ou supérieur à 10,3 mm (13/32 po)				•		

Vitesse de lame

La scie à ruban portable DWM120 est équipée d'un variateur de vitesse pour plus de flexibilité. Tournez le régulateur de vitesse (I) pour choisir la vitesse désirée (fig. 1). La vitesse 1 est la plus lente, la vitesse 5, la plus rapide. Utilisez les paramètres de vitesse 1 à 5 lorsque vous êtes connecté sur un bloc d'alimentation CA.

Pour couper le cuivre, le laiton, le bronze, l'aluminium, la fonte, les cornières et l'acier doux, utilisez une vitesse élevée.

Pour couper les tuyaux en plastique, les aciers plus durs, l'acier au chrome, l'acier au tungstène, l'acier inoxydable, et tout autre matériau délicat, utilisez une vitesse réduite.

REMARQUE : Lorsqu'on découpe des tuyaux en plastique, une vitesse élevée pourrait faire fondre le plastique.

Alignement de lame

⚠️ AVERTISSEMENT : Pour réduire tout risque de dommages corporels graves, arrêter et débrancher l'outil avant tout réglage ou avant de retirer ou installer toute pièce ou tout accessoire. Tout démarrage accidentel comporte des risques de dommages corporels.

Votre scie à ruban est équipée d'un mécanisme de réglage d'alignement de lame pour garantir un alignement de lame correct et constant. Le bord antérieur d'une lame correctement alignée courra légèrement le long de l'un ou des deux galets de support sur les guides pour lame. (La pression entre le bord de la lame et le galet sera très légère et n'endommagera ni la lame ni le galet.)

RÉGLAGE D'ALIGNEMENT DE LAME

1. Utilisez une clé de 13 mm (1/2 po) pour desserrer l'écrou de réglage d'alignement (G), comme illustré en figure 1, en lui donnant un ou deux tours vers la gauche.
2. Utilisez un tournevis pour visser la vis de réglage d'un quart de tour. Faire tourner la vis vers la droite rapprochera la lame des galets de guidage de lame. Faire tourner la vis vers la gauche éloignera la lame des galets.
3. Ajustez de façon à ce que le bord antérieur de la lame touche légèrement les galets puis resserrez fermement l'écrou de verrouillage. (Il sera nécessaire de brancher la scie et de la mettre en marche pour en vérifier l'alignement.)
4. Vérifiez l'alignement de lame à chaque essai, et répétez les étapes 1 à 4 autant que nécessaire pour obtenir l'alignement de lame correct.

Retrait et installation des lames

⚠️ AVERTISSEMENT : Pour réduire tout risque de dommages corporels graves, arrêter et débrancher l'outil avant tout réglage ou avant de retirer ou installer toute pièce ou tout accessoire. Tout démarrage accidentel comporte des risques de dommages corporels.

⚠️ ATTENTION : Risques de coupure. Le levier de réglage de tension de lame est maintenu sous tension grâce à un ressort. Maintenir le contrôle du levier lorsque la tension de la lame est relâchée.

POUR RETIRER LA LAME (FIG. 1, 2)

1. Faites tourner à fond le levier de réglage de tension de lame (H) vers la droite pour relâcher la tension sur la lame.
2. Inversez la scie sur un établi ou une table avec son cordon sur la gauche.
3. Commencez à retirer la lame au niveau du protège-lame (M) et continuez autour des poulies (L). Lorsqu'on essaie de retirer la lame, la tension peut se relâcher et causer une brusque libération de la lame. LES LAMES DE SCIE SONT ACÉRÉES. MANIEZ-LES AVEC PRÉCAUTION.
4. Inspectez les galets de guidage (F1, F2) et retirez tout large débris qui pourrait s'y être logé. Ces débris peuvent empêcher la rotation des galets de guidage et y occasionner des méplats.
5. Les pneus en caoutchouc (N) sont installés sur les poulies (L). Vérifiez les pneus en caoutchouc pour tout desserrement ou dommage lorsque vous changez la lame. Éliminez tout débris sur les pneus en caoutchouc des poulies. Cela allongera leur durée de vie et préviendra la lame de glisser. En cas de desserrement ou de dommages, apportez l'outil dans un centre de réparation DEWALT pour le faire réparer ou remplacer, le plus rapidement possible. Le fait de continuer d'utiliser l'outil avec des pneus en caoutchouc desserrés ou endommagés rendra le déplacement de la lame de scie à ruban instable.

POUR INSTALLER LA LAME (FIG. 1, 3 à 5)

1. Positionnez la lame de façon à ce que les dents soient en bas et inclinées vers la butée de coupe, comme illustré en figures 1 et 3.
2. Insérez la lame dans les galets de guidage, comme illustré en figure 4.
3. En maintenant la lame dans les galets de guidage, installez-la autour des deux poulies (L) et au travers de la butée de coupe (E), comme illustré en figure 5.
4. Assurez-vous que la lame est pleinement insérée dans les galets de guidage et parfaitement positionnée contre les pneus en caoutchouc.
5. Faites tourner à fond le levier de réglage de tension de lame (H) vers la gauche, puis inversez délicatement la scie de façon à ce que les poulies soient appuyées sur l'établi ou la table. Assurez-vous que les dents soient en sens inverse par rapport à la scie ruban (fig. 1, 3).
6. Ajustez le régulateur de vitesse sur la vitesse réduite (1) puis arrêtez et remettez la scie en marche plusieurs fois pour vous assurer que la lame est correctement installée.

Poignée étrier multi-position (Fig. 1)

L'outil est équipé d'une poignée étrier supplémentaire pour son transport ou son utilisation. Installez la poignée étrier en choisissant l'une des multi-positions (avant, 45°, droite), comme illustré en figure 1. Pour changer la position de la poignée étrier, desserrez le bouton de la poignée étrier et placez la poignée dans l'une des trois positions puis resserrez le bouton.

Réglages

⚠️ AVERTISSEMENT : Pour réduire tout risque de dommages corporels graves, arrêter et débrancher l'outil avant tout réglage ou avant de retirer ou installer toute pièce ou tout accessoire. Tout démarrage accidentel comporte des risques de dommages corporels.

RÉGLAGE DE LA BUTÉE DE COUPE

Pour étayer de larges pièces, abaissez la butée de coupe en suivant les étapes ci-après :

1. desserrez les deux vis (R), comme illustré en figure 1, à l'aide de la clé hexagonale fournie à cet effet.
2. Placez la butée de coupe (E) dans la position désirée (fig. 5).
3. Resserrez fermement les vis (R).

FONCTIONNEMENT

Moteur

Assurez-vous que le courant utilisé correspond à celui recommandé sur la plaque signalétique. 120 volts CA, 60 Hz veut dire courant alternatif seulement. Une baisse de tension de plus de 10% causera perte de puissance et surchauffe. Les outils DEWALT sont testés en usine. Si l'outil ne marche pas, vérifiez le bon fonctionnement du secteur, des fusibles, de la fiche et de la prise.

Cet outil a été conçu pour certaines applications.

La scie à ruban a été conçue pour couper divers types de matériaux jusqu'à un diamètre de 120.7 mm (4-3/4 po) ou une forme rectangulaire de 127 mm (5 po) x 120.7 mm (4-3/4 po), à un angle de 90°.

⚠️ AVERTISSEMENT : Éliminer toute trace d'huile ou de graisse sur la pièce à travailler avant de l'arrimer dans un étau ou tout autre dispositif de serrage. Si la pièce n'est pas bien arrimée, elle pourrait glisser pendant la coupe et/ou causer des dommages matériels ou corporels.

⚠️ AVERTISSEMENT : Ne jamais brancher l'outil électrique à moins que l'alimentation CA soit de la tension spécifiée sur plaque signalétique de l'outil. Ne jamais brancher cet outil sur une alimentation en courant continu (CC).

⚠️ AVERTISSEMENT : Danger de lacération. Si le cordon est branché sur le secteur lorsque la gâchette est en position de MARCHE, l'outil démarrera soudainement et pourra causer un accident grave.

Gâchette

Pour mettre l'outil en marche, appuyez sur la gâchette (C). Pour arrêter l'outil, relâcher la gâchette.

Coupe

⚠️ AVERTISSEMENT : Pour réduire tout risque de dommages corporels graves, arrêter et débrancher l'outil avant tout réglage ou avant de retirer ou installer toute pièce ou tout accessoire. Tout démarrage accidentel comporte des risques de dommages corporels.

Se reporter à la figure 7 pour voir les positions de coupe recommandées pour différents matériaux.

REMARQUE : Choisissez et utilisez la lame de scie à ruban la plus appropriée au matériau à découper. Se reporter à la section **DESCRIPTION DES LAMES**.

Cette scie à ruban portable peut être suspendue grâce au crochet (K). Accrochez l'outil à un étau à tube ou toute autre structure stable adéquate, (fig. 2).

1. Arrimez solidement le matériau à couper à l'aide d'un étau ou tout autre dispositif de serrage.

⚠️ AVERTISSEMENT : N'utilisez jamais l'outil posé sur une surface de travail en amenant le matériau à l'outil. Arrimez systématiquement la pièce et amenez au contraire l'outil à la pièce, en maintenant solidement l'outil à deux mains, comme illustré en figure 6.

2. Si l'éclairage est insuffisant, un éclairage (B) supplémentaire peut être activé à l'aide de l'interrupteur (P), comme illustré en figure 1. Pour tout remplacement, renvoyez l'outil à un centre de réparation agréé ou tout autre personnel de réparation qualifié, en utilisant systématiquement des pièces de rechange identiques.

⚠️ AVERTISSEMENT : Pour réduire tout risque de choc électrique, **NE PAS** utiliser l'appareil lorsque la lentille de protection du DEL est brisée.

3. Mettez la butée de coupe (E) en contact avec la pièce à travailler. Mettez la scie en MARCHE.

CONSERVE TODAS LAS ADVERTENCIAS E INSTRUCCIONES PARA CONSULTAS FUTURAS

El uso del término “máquina herramienta” en las advertencias, se refiere a su máquina herramienta ya sea operada por la red de suministro (con cable de alimentación) o a batería (inalámbrica).

1) SEGURIDAD EN EL ÁREA DE TRABAJO

- Mantenga su área de trabajo limpia y bien iluminada.** Los accidentes abundan en las áreas de trabajo desordenadas u oscuras.
- No opere máquinas herramienta en ambientes explosivos, tales como en presencia de líquidos, gases o polvos inflamables.** Las herramientas eléctricas producen chispas que pueden inflamar el polvo o los gases
- No use máquinas herramienta en presencia de niños u otras personas circunstantes.** Las distracciones pueden hacerle perder el control.

2) SEGURIDAD ELÉCTRICA

- Los enchufes de las máquinas herramienta deben poder acoplarse a la toma de corriente. Jamás modifique el enchufe de ninguna manera. No emplee adaptadores de enchufe con máquinas herramienta conectadas a tierra.** Los enchufes no modificados y las tomas de corriente que correspondan al enchufe reducirán el riesgo de descarga eléctrica.
- Evite el contacto corporal con superficies conectadas a tierra, tales como tuberías, radiadores, cocinas y refrigeradores.** Existe un mayor riesgo de descarga eléctrica cuando su cuerpo está conectado a tierra.
- No exponga máquinas herramienta a condiciones lluviosas o húmedas.** Si entra agua a la máquina herramienta, aumentará el riesgo de descarga eléctrica.
- No abuse del cable. Jamás transporte, arrastre o desenchufe la máquina herramienta por el cable. Mantenga el cable alejado de fuentes de calor, aceite, bordes afilados o piezas en movimiento.** Los cables dañados o enredados aumentan el riesgo de descarga eléctrica
- Cuando opere una herramienta eléctrica afuera, use un alargador de exterior.** El uso de un alargador de exterior reduce el riesgo de descarga eléctrica.
- Si no es posible evitar el uso de una herramienta eléctrica en un sitio húmedo, utilice una alimentación eléctrica protegida con un interruptor de circuito de falla sin conexión a tierra (GFCI).** El uso de un GFCI reduce el riesgo de descarga eléctrica.

3) SEGURIDAD PERSONAL

- Manténgase alerta, fíjese en lo que está haciendo y utilice su sentido común cuando opere una máquina herramienta. No utilice una máquina herramienta si está cansado o bajo la influencia de drogas, alcohol o medicamentos.** Sólo hace falta un momento de distracción durante la operación de máquinas herramienta para causar lesiones corporales serias.
- Use equipo de protección personal. Utilice siempre protección ocular.** Equipo de protección personal tales como mascarilla antipolvo, calzado de seguridad antiderrapante, cascos o protección auditiva, usados para las condiciones apropiadas, reducirá la posibilidad de sufrir lesiones corporales.
- Prevenga puestas en marcha accidentales. Verifique que el interruptor esté apagado antes de enchufar la máquina herramienta y/o batería, al recoger o transportar la herramienta.** El sujetar una máquina herramienta con el dedo en el conmutador o enchufar máquinas herramienta con el conmutador encendido se presta para que ocurran accidentes.
- Retire toda llave de ajuste antes de encender la máquina herramienta.** Si se deja alguna llave en una pieza giratoria de la máquina herramienta, podría provocar lesiones..
- No se sobreexienda. Manténgase siempre bien apoyado y equilibrado.** Esto permite tener un mayor control de la máquina herramienta en situaciones inesperadas.
- Vístase debidamente. No se ponga ropa suelta o joyas. Mantenga su pelo, ropa y guantes alejados de piezas móviles.** La ropa suelta, las joyas y el pelo largo pueden quedar atrapados en las piezas móviles.
- Si la máquina herramienta viene con algún dispositivo de conexión para la extracción y colección de polvo, asegúrese que este sea debidamente conectado y utilizado.** El uso de dispositivos de recolección de polvo, puede reducir riesgos asociados al polvo.

4) USO Y CUIDADO DE LA MÁQUINA HERRAMIENTA

- No fuerce la máquina herramienta. Use la máquina herramienta correcta para su aplicación.** La máquina herramienta apropiada hará un trabajo mejor y más seguro si se usa de la forma para la cual fue diseñada.
- No use la máquina herramienta si el conmutador no puede encenderla y apagarla.** Cualquier máquina herramienta que no pueda ser controlada con el conmutador es peligrosa y debe ser reparada.
- Desenchufe la máquina herramienta de la toma de corriente y/o de la unidad de alimentación antes de ajustarla, cambiar de accesorio o guardarla.** Estas medidas de seguridad preventiva reducen el riesgo de poner en marcha la máquina herramienta accidentalmente.
- Guarde su máquina herramienta fuera del alcance de niños cuando no la esté usando y no permita que personas que no estén familiarizadas con la máquina herramienta o estas instrucciones la usen.** Las máquinas herramienta son peligrosas en manos de personas no capacitadas.
- Mantenga su máquina herramienta. Revise la máquina herramienta para verificar que no esté mal alineada, que sus piezas móviles no estén trabadas o rotas y que no exista otra condición que pudiera afectar su operación. Si está dañada, haga reparar la máquina herramienta antes de utilizarla.** Muchos accidentes son causados por usar máquinas herramienta que no han sido bien mantenidas.
- Mantenga sus herramientas de cortes afiladas y limpias.** Las herramientas de corte debidamente mantenidas y afiladas tienen menos probabilidades de trabarse y son más fáciles de controlar
- Use la máquina herramienta, sus accesorios, etc., en cumplimiento con estas instrucciones tomando en cuenta las condiciones de trabajo y el trabajo a realizar.** El uso de una máquina herramienta para operaciones fuera de aquellas para las que fue diseñada podría resultar en una situación peligrosa.

5) SERVICIO

- Haga reparar su máquina herramienta por un técnico de reparación calificado, utilizando sólo repuestos originales.** Esto garantizará la seguridad de la máquina herramienta.

Reglas de Seguridad Adicionales – Sierras de Banda Portátiles

- Sujete la herramienta por las superficies aislantes si lleva a cabo una operación en que la herramienta puede tocar un conductor oculto.** El contacto con un conductor activo provocará que las piezas metálicas de la herramienta conduzcan electricidad y que el operador reciba una descarga eléctrica.
- Mantenga las manos alejadas del área y de la hoja de corte.** Mantenga una mano sobre el mango principal y la otra sobre el mango delantero para evitar perder el control, lo cual podría resultar en lesiones corporales.
- Asegúrese siempre de que la sierra de banda portátil esté limpia antes de utilizarla.
- Detenga siempre la operación de inmediato si nota cualquier anomalía.
- Asegúrese siempre que todas las piezas estén debida y firmemente montadas antes de utilizar la herramienta.
- Maneje siempre la hoja de la sierra de banda con cuidado cuando la monte o retire de la sierra.
- Mantenga siempre las manos alejadas de la trayectoria de la hoja de la sierra de banda.
- Espere siempre a que el motor haya alcanzado su velocidad completa antes de iniciar el corte.
- Mantenga las empuñaduras secas, limpias, libres de aceite y grasa. Sostenga la herramienta con firmeza cuando la use.
- Esté alerta en todo momento, especialmente durante operaciones repetitivas y monótonas. Esté siempre seguro de la posición de sus manos en relación a la hoja.
- Jamás retire el tope.
- Manténgase alejado de los extremos que pudieran caerse una vez que sean cortados. Pueden estar calientes o ser afilados y/o pesados. Puede resultar en lesiones corporales serias.
- Los hilos del alargador deben ser de un calibre apropiado (AWG o Calibre Americano de Hilos) para su seguridad.** Mientras menor sea el calibre del hilo, mayor la capacidad del cable. Es decir, un hilo calibre 16 tiene mayor capacidad que uno de 18. Un cable de un calibre insuficiente causará una caída en la tensión de la línea dando por resultado una pérdida de energía y sobrecalentamiento. Cuando se utilice más de un alargador para completar el largo total, asegúrese que los hilos de cada alargador tengan el calibre mínimo. La tabla siguiente muestra el tamaño correcto a utilizar, dependiendo de la longitud del cable y del amperaje nominal de la placa de identificación. Si tiene dudas sobre cuál calibre usar, use un calibre mayor. Cuanto más pequeño es el número del calibre, más resistente es el alargador.

- Lorsque la scie atteint la vitesse de rotation désirée, inclinez lentement et fermement le corps de l'outil pour mettre la lame de la scie à ruban en contact avec la pièce. Évitez d'appliquer toute pression autre que celle créée par le poids du corps principal de l'outil. Évitez soigneusement de mettre soudainement et abruptement la lame de la scie à ruban en contact avec la surface supérieure de la pièce. Cela pourrait endommager sérieusement la lame de la scie à ruban. Pour allonger la durée de vie de la lame de la scie à ruban, évitez systématiquement tout impact soudain au début de toute opération de coupe.
 - Comme illustré en figure 6, des coupes droites peuvent être effectuées en maintenant la lame de la scie à ruban alignée avec la surface latérale du boîtier du moteur. Toute torsion ou inclinaison de la lame fera déraper la coupe et réduira la durée de vie de la lame.
- ⚠ ATTENTION :** Pendant la coupe, si la scie à ruban se bloque ou se coince dans le matériau de la pièce, relâchez immédiatement la gâchette pour éviter d'endommager la lame de la scie à ruban et son moteur.
- Le propre poids de l'outil produit la pression de coupe la plus efficace. Toute pression additionnelle de l'opérateur freine la lame et réduit sa durée de vie.
 - Les extrémités de pièces assez lourdes pour causer des dommages corporels en tombant, doivent être étayées. Des souliers de sécurité sont fortement recommandés. Les extrémités de pièce peuvent être brûlantes.
 - Maintenez la scie fermement à deux mains pour qu'elle ne tombe pas contre le matériau arrimé ou supporté lorsque la coupe est terminée. **NE CHANGEZ JAMAIS LA VITESSE À MOINS QUE L'OUTIL SOIT ARRÊTÉ.**

Conseils pour améliorer les coupes

Les recommandations suivantes doivent vous servir de guide. Les résultats peuvent varier selon l'opérateur et le matériau particulier à découper.

- Ne déformez jamais la lame de la scie à ruban pendant l'opération de coupe.
- N'utilisez jamais de réfrigérants fluides avec les scies à ruban portables. L'utilisation de ces derniers pourrait laisser un dépôt sur les pneus et affecter les performances de l'outil.
- En cas de vibrations excessives pendant la coupe, arrêtez la scie et ajustez légèrement sa vitesse. Assurez-vous que le matériau à découper est fermement arrimé. Si le problème persiste, changez la lame de la scie à ruban.

MAINTENANCE

⚠ AVERTISSEMENT : Pour réduire tout risque de dommages corporels graves, arrêtez et débrancher l'outil avant tout réglage ou avant de retirer ou installer toute pièce ou tout accessoire. Tout démarrage accidentel comporte des risques de dommages corporels.

Lubrification

Des roulements auto-lubrifiants sont utilisés dans cet appareil et aucune lubrification périodique n'est nécessaire. Dans l'éventualité peu probable où une maintenance s'avérerait nécessaire, amenez l'outil dans un centre de réparation agréé.

Entretien

⚠ AVERTISSEMENT : enlever les saletés et la poussière hors des événements au moyen d'air comprimé sec, au moins une fois par semaine. Porter une protection oculaire conforme à la norme ANSI Z87.1 (CAN/CSA Z94.3) et une protection des voies respiratoires conforme aux normes NIOSH/OSHA/MSHA au cours de cette tâche de nettoyage.

⚠ AVERTISSEMENT : ne jamais utiliser de solvants ni d'autres produits chimiques puissants pour nettoyer les pièces non métalliques de l'outil. Ces produits chimiques peuvent affaiblir les matériaux utilisés dans ces pièces. Utiliser un chiffon humecté uniquement d'eau et de savon doux. Ne jamais laisser de liquide pénétrer dans l'outil et n'immerger aucune partie de l'outil dans un liquide.

Réparations

Pour assurer la SÉCURITÉ et la FIABILITÉ du produit, les réparations, l'entretien et les réglages (y compris l'inspection et le remplacement des balais) doivent être réalisés par un centre de réparation en usine DEWALT, un centre de réparation autorisé DEWALT ou par un personnel d'entretien qualifié. Toujours utiliser des pièces de rechange identiques.

Accessoires

⚠ AVERTISSEMENT : puisque les accessoires autres que ceux offerts par DEWALT n'ont pas été testés avec ce produit, leur utilisation pourrait s'avérer dangereuse. Pour réduire le risque de blessures, utiliser exclusivement les accessoires DEWALT recommandés avec ce produit.

Les accessoires recommandés pour utilisation avec l'outil sont disponibles, à un coût supplémentaire, auprès du distributeur ou du centre de réparation autorisé de votre région. Pour toute demande d'assistance pour trouver un accessoire, veuillez contacter DEWALT Industrial Tool Co., 701 East Joppa Road, Baltimore, MD 21286, États-Unis, composer le 1-800-4-DEWALT (1 800 433-9258) ou visiter notre site Web à www.dewalt.com.

Garantie limitée de trois ans

DEWALT réparera, sans frais, tout produit défectueux causé par un défaut de matériel ou de fabrication pour une période de trois ans à compter de la date d'achat. La présente garantie ne couvre pas les pièces dont la défectuosité a été causée par une usure normale ou l'usage abusif de l'outil. Pour obtenir de plus amples renseignements sur les pièces ou les réparations couvertes par la présente garantie, visiter le site www.dewalt.com ou composer le 1 800 433-9258 (1 800 4-DEWALT). Cette garantie ne s'applique pas aux accessoires et ne vise pas les dommages causés par des réparations effectuées par un tiers. Cette garantie confère des droits légaux particuliers à l'acheteur, mais celui-ci pourrait aussi bénéficier d'autres droits variant d'un état ou d'une province à l'autre.

En plus de la présente garantie, les outils DEWALT sont couverts par notre :

CONTRAT D'ENTRETIEN GRATUIT D'UN AN

DEWALT entretiendra l'outil et remplacera les pièces usées au cours d'une utilisation normale et ce, gratuitement, pendant une période d'un an à compter de la date d'achat.

GARANTIE DE REMBOURSEMENT DE 90 JOURS

Si l'acheteur n'est pas entièrement satisfait, pour quelque raison que ce soit, du rendement de l'outil électrique, du laser ou de la cloueuse DEWALT, celui-ci peut le retourner, accompagné d'un reçu, dans les 90 jours à compter de la date d'achat pour obtenir un remboursement intégral, sans aucun problème.

AMÉRIQUE LATINE : Cette garantie ne s'applique aux produits vendus en Amérique latine. Pour ceux-ci, veuillez consulter les informations relatives à la garantie spécifique présente dans l'emballage, appeler l'entreprise locale ou consulter le site Web pour les informations relatives à cette garantie.

REMPACEMENT GRATUIT DES ÉTIQUETTES D'AVERTISSEMENT : Si les étiquettes d'avertissement deviennent illisibles ou sont manquantes, composer le 1-800-4-DEWALT pour en obtenir le remplacement gratuit.



Definiciones: Normas de seguridad

Las siguientes definiciones describen el nivel de gravedad de cada palabra de señal. Lea el manual y preste atención a estos símbolos.

⚠ PELIGRO: indica una situación de peligro inminente que, si no se evita, provocará la muerte o lesiones graves.

⚠ ADVERTENCIA: indica una situación de peligro potencial que, si no se evita, podría provocar la muerte o lesiones graves.

⚠ ATENCIÓN: indica una situación de peligro potencial que, si no se evita, posiblemente provocaría lesiones leves o moderadas.

ATENCIÓN: cuando se utiliza sin el símbolo de alerta de seguridad indica una situación de peligro potencial que, si no se evita, puede provocar daños en la propiedad.

SI TIENE ALGUNA PREGUNTA O ALGÚN COMENTARIO QUE HACER CON RESPECTO A ESTA O CUALQUIER OTRA HERRAMIENTA DEWALT, LLÁMENOS SIN CARGO AL: 1-800-4-DEWALT (1-800-433-9258).

⚠ ADVERTENCIA: Para reducir el riesgo de lesión, lea el manual de instrucciones.

Advertencias Generales de Seguridad para Herramientas Eléctricas

⚠ ADVERTENCIA! Lea todas las advertencias e instrucciones de seguridad. El ignorar las advertencias e instrucciones puede provocar una descarga eléctrica, incendio y/o lesión grave.

Calibre mínimo para juegos de cables						
Capacidad nominal en amperios		Voltios	Largo total del cable en metros (en pies)			
		120V	7,6 (25)	15,2 (50)	30,5 (100)	45,7 (150)
		240V	15,2 (50)	30,5 (100)	61,0 (200)	91,4 (300)
Desde	Hasta	AWG				
0	6		18	16	16	14
6	10		18	16	14	12
10	12		16	16	14	12
12	16		14	12	No recomendado	

⚠ **ADVERTENCIA: SIEMPRE** use lentes de seguridad. Los anteojos de uso diario NO son lentes de seguridad. Utilice además una máscara para la cara o guardapolvo si la operación de corte genera demasiado polvo. SIEMPRE USE EQUIPO DE SEGURIDAD CERTIFICADO:

- ANSI Z87.1 protección ocular (CAN/CSA Z94.3),
- ANSI S12.6 (S3.19) protección auditiva,
- Protección respiratoria NIOSH/OSHA/MSHA.

⚠ **ADVERTENCIA:** Algunas partículas de polvo generadas al lijar, serrar, esmerilar y taladrar con herramientas eléctricas, así como al realizar otras actividades de construcción, contienen químicos que el Estado de California sabe que pueden producir cáncer, defectos congénitos u otras afecciones reproductivas. Ejemplos de estos químicos son:

- plomo de algunas pinturas,
- polvo de sílice proveniente de ladrillos y cemento y otros productos de albañilería, y
- Arsénico y cromo proveniente de madera tratada químicamente..

El peligro derivado de la exposición a estos materiales varía en función de la frecuencia con que se realice este tipo de trabajo. Para reducir su exposición a estos químicos: trabaje en una zona bien ventilada y llevando equipos de seguridad aprobados, como mascarillas antipolvo especialmente diseñadas para filtrar partículas microscópicas.

• **Evite el contacto prolongado con polvo generado por el lijado, serrchado, pulido y taladrado mecánico y otras actividades de construcción. Vista ropas protectoras y lave las áreas de la piel expuestas con agua y jabón.** Si permite que el polvo se introduzca en su boca o sus ojos, o que quede sobre la piel, puede favorecer la absorción de químicos peligrosos.

⚠ **ADVERTENCIA:** La utilización de esta herramienta puede generar polvo o dispersarlo, lo que podría causar lesiones graves y permanentes al sistema respiratorio, así como otras problemas. Siempre use protección respiratoria aprobada por NIOSH (Instituto Nacional de Seguridad y Salud en el Trabajo) u OSHA (Administración de Seguridad y Salud en el Trabajo) apropiada para la exposición al polvo. Dirija las partículas en dirección contraria a la cara y el cuerpo.

⚠ **ADVERTENCIA:** Siempre utilice protección auditiva apropiada mientras utilice la herramienta, en conformidad con ANSI S12.6 (S3.19). En determinadas condiciones y con utilizaciones prolongadas, el ruido generado por este producto puede favorecer la pérdida de audición.

• La etiqueta de su herramienta puede incluir los siguientes símbolos. Los símbolos y sus definiciones son los siguientes:

V..... voltios	A.....amperios
Hz..... hertz	W.....vatios
min..... minutos	~corriente alterna
==== corriente directa	⎓corriente alterna o directa
Ⓛ..... Construcción Clase I (con conexión a tierra)	n _ovelocidad sin carga
Ⓜ..... Construcción Clase II (con aislamiento doble)	⚠terminal a tierra
RPM..... revoluciones o reciprocidad por minuto	⚠símbolo de alerta de seguridad
	.../min.....por minuto
	BPM.....golpes por minuto
	PSPM.....Pies de superficie por minuto

GUARDE ESTAS INSTRUCCIONES PARA FUTURAS CONSULTAS

COMPONENTES (FIG. 1, 2)

- | | |
|----------------------------------|-------------------------|
| A. Mango de posiciones múltiples | I. Rueda de velocidad |
| B. Luz | J. Parachoques de goma |
| C. Gatillo | K. Gancho para colgar |
| D. Mango principal | L. Polea |
| E. Tope | M. Protector de la hoja |
| F. Rodillos de guía | N. Llantas de goma |
| G. Ajuste de la hoja | O. Hoja |
| H. Palanca de tensión de la hoja | P. Interruptor de luz |

ENSAMBLAJE

Hojas

Esta sierra de banda portátil está configurada para ser utilizada con hojas de 0,5 mm (0,020 pulg.) de grosor, 12,5 mm (1/2 pulg.) de ancho y 1140 mm (44-7/8 pulg.) de largo. NO USE hojas con grosores de 0,64 mm (0,25).

⚠ **ATENCIÓN:** El uso de cualquier otro tipo de hoja o accesorio podría ser peligroso. NO utilice ningún otro tipo de accesorio con su sierra de banda. Las hojas utilizadas en sierras de banda estacionarias son de diferentes espesores. No intente utilizarlas con su unidad portátil.

Selección de la Hoja

En general, considere primero el tamaño y la forma de la pieza de trabajo y el tipo de material a ser cortado. Recuerde que para realizar cortes más eficientes, se debería utilizar la hoja con los dientes más gruesos posibles en una aplicación dada pues mientras más grueso el diente, más rápido el corte. En la selección del número apropiado de dientes por milímetro para las hojas de sierras de banda, fíjese que al menos dos dientes deben entrar en contacto con la superficie de la pieza de trabajo cuando se descansa la hoja contra la pieza de trabajo. Como regla general, los materiales blandos generalmente requieren hojas con dientes gruesos mientras que los materiales duros requieren hojas de dientes más finos. Cuando requiera un acabado más suave, seleccione una de las hojas de dientes más finos.

Seleccione la hoja para su sierra de banda de acuerdo al tipo de material, las dimensiones y el número de dientes. Vea el cuadro **Descripción de la hoja**.

La siguiente tabla es para ser utilizada sólo como una guía general. Determine el tipo de material y la dimensión de la pieza de trabajo y seleccione la hoja para sierras de banda más apropiada.

ATENCIÓN: Jamás utilice la sierra de banda para cortar materiales de resina que pudieran derretirse. El material de resina derretido por el calor generado durante el corte podría hacer que la hoja de la sierra de banda se adhiera al material, posiblemente sobrecargándola y quemando su motor.

DESCRIPCIÓN DE LA HOJA						
Tipo de hoja de la sierra de banda	Bi-Metal					
Número de dientes	24	18	14	10	14/18	10/14
Espesor de la pieza de trabajo						
3,2 mm (1/8 pulg.) y menor	•	•				
3,2 - 6,4 mm (1/8 pulg. - 1/4 pulg.)			•	•		
6,4 mm - 10,3 mm (1/4 pulg. - 13/32 pulg.)				•		•
10,3 mm (13/32 pulg.) y mayor				•		

Velocidad de la Hoja

Su sierra de banda portátil DWM120 viene con velocidad variable para una mayor versatilidad. Gire la rueda de velocidad (I) para seleccionar la velocidad deseada (Fig. 1). La velocidad 1 es la más lenta; la velocidad 5 es la más rápida. Use las velocidades desde la 1 a la 5, cuando esté conectado a una alimentación de corriente alterna.

Cuando corte cobre, latón, bronce, aluminio, fierro fundido, fierro angular o acero dulce, use una velocidad mayor.

Cuando corte tubería de plástico, aceros más duros, acero al cromo, acero al tungsteno, acero inoxidable y otros materiales complicados, use una velocidad baja.

NOTA: Cuando corte tubería de plástico, las velocidades mayores pueden derretirlo.

Ajuste de la Hoja

⚠ **ADVERTENCIA:** Para reducir el riesgo de lesión personal seria, apague la herramienta y desconéctela de la alimentación eléctrica antes de hacer algún ajuste o remover/instalar anexos o accesorios. Un encendido accidental puede provocar lesiones.

Su sierra de banda viene con un mecanismo de ajuste de la hoja, el cual garantiza un ajuste apropiado de la hoja en todo momento. El borde posterior de una hoja alineada apropiadamente, operará ligeramente rozando contra uno o ambos rodillos de respaldo en las guías de la hoja. (La presión entre el borde de la hoja y el rodillo será muy ligera y no dañará ni la hoja ni el rodillo.)

PARA AJUSTAR LA HOJA

1. Utilice una llave de 13 mm (1/2 pulg.) para aflojar la tuerca de seguridad (G) del ajuste, como se muestra en la Figura 1, girando una o dos vueltas en sentido contrario a las manillas del reloj.

2. Use un atornillador para girar el tornillo de ajuste en 1/4 de vuelta. Al girar el tornillo en el mismo sentido de las manillas del reloj, la hoja se moverá hacia arriba hasta los rodillos guía de la hoja. Al girar el tornillo en el sentido contrario a las manillas del reloj, la hoja se moverá hacia abajo alejándose de los rodillos.

3. Realice el ajuste de manera tal que el borde de la hoja toque ligeramente los rodillos, luego apriete bien la tuerca de seguridad. (Será necesario conectar la sierra y operarla para observar el ajuste.)

4. Observe el ajuste de la hoja en cada operación y repita los Pasos 1 a 4 como sea requerido para lograr un ajuste apropiado de la hoja.

Instalación y desinstalación de las hojas

⚠ **ADVERTENCIA:** Para reducir el riesgo de lesión personal seria, apague la herramienta y desconéctela de la alimentación eléctrica antes de hacer algún ajuste o remover/instalar anexos o accesorios. Un encendido accidental puede provocar lesiones.

⚠ **ATENCIÓN:** Riesgo de cortadura. La palanca de tensión de la hoja está bajo presión de resorte. Mantenga el control de la palanca cuando libere la tensión de la hoja.

PARA DESINSTALAR LA HOJA (FIG. 1, 2)

1. Gire la palanca de tensión de la hoja (H) en dirección a las manillas del reloj hasta que se detenga para relajar la tensión de la hoja.
2. De vuelta la sierra y póngala sobre una banca o mesa de trabajo con el cable a la izquierda.
3. Para desinstalarla, empiece por el protector de la hoja (M) y siga alrededor de las poleas (L). Cuando retire la hoja, la tensión puede ser liberada y la hoja puede saltar de su lugar. LAS HOJAS DE SIERRAS SON FILUDAS. TENGA CUIDADO CUANDO LAS MANEJE.
4. Revise los rodillos de guía (F1, F2) y retire cualquier pieza grande que pudiera encontrarse atrapada en ellos. Las piezas atrapadas pueden prevenir la rotación de los rodillos guía y causar áreas planas en los rodillos de guía.
5. Las llantas de goma (N) están montadas en las poleas (L). Las llantas de goma deberían ser revisadas para confirmar que no están sueltas ni dañadas cuando se cambie la hoja. Limpie cualquier astilla que encuentre en las llantas de goma de las poleas. Esto aumentará la duración de las llantas y evitará que la hoja se resbale. Si se sueltan o dañan, la herramienta debería ser llevada a un centro de servicio autorizado DEWALT para ser reparada o cambiada lo antes posible. El uso continuo de la herramienta con llantas de goma sueltas o dañadas causará que la hoja de la sierra de banda se desestabilice al desplazarse.

PARA INSTALAR LA HOJA (FIG. 1, 3-5)

1. Coloque la hoja de modo que los dientes queden debajo y angulados hacia el guía del material, como lo muestran las Figura 1 y 3.
2. Deslice la hoja en los rodillos de guía, como lo muestra la Figura 4.
3. Sostenga la hoja en los rodillos de guía y colóquela alrededor de ambas poleas (L) y luego por el guía del material (E), como lo muestra la Figura 5.
4. Asegúrese que la hoja esté completamente insertada en los rodillos de guía y posicionados en ángulo recto contra las llantas de goma.
5. Gire la palanca de tensión de la hoja (H) en dirección contraria a las manillas del reloj y luego suavemente voltee la sierra de tal forma que las poleas reposen sobre su banco o mesa de trabajo y. Asegúrese que los dientes miren en dirección opuesta a la sierra de banda (Fig. 1, 3).
6. Coloque la rueda de velocidad en la velocidad baja (1) y luego encienda y apague la sierra unas pocas veces, para asegurarse que la hoja está debidamente asentada.

Mango de posiciones múltiples (Fig. 1)

Un mango viene con su herramienta para transportarla y para ser usado como un mango adicional. Ensamble el mango en una de las posiciones múltiples (hacia adelante, a 45° o hacia arriba) mostradas en la Figura 1. Cuando cambie el mango de una posición a otra, afloje el botón del mango y mueva el mango a una de las tres posiciones y apriete el botón.

Ajustes

⚠ **ADVERTENCIA:** Para reducir el riesgo de lesión personal seria, apague la herramienta y desconéctela de la alimentación eléctrica antes de hacer algún ajuste o remover/instalar anexos o accesorios. Un encendido accidental puede provocar lesiones.

AJUSTE DEL TOPE

Para poder soportar pieza de trabajo grandes, el tope debe ser bajado siguiendo los siguientes pasos:

1. Afloje los dos tornillos (R) que aparecen en la Figura 1, con la llave hexagonal incluida.
2. Mueva el tope (E) a la posición deseada (Fig. 5).
3. Ajuste firmemente los tornillos (R).

OPERACIÓN

Motor

Asegúrese de que su alimentación eléctrica sea la requerida en la placa nominal. “120 Volts AC 60 Hz” significa que sólo puede utilizarse corriente alterna. Una reducción de voltaje superior al 10% provocará pérdida de potencia y sobrecalentamiento. Todas las herramientas DEWALT vienen probadas de fábrica. Si esta herramienta no funciona, revise la línea de alimentación eléctrica para verificar que no se hayan saltado fusibles y que el enchufe y receptáculo tengan el contacto debido.

Existen ciertas aplicaciones para las cuales esta herramienta fue diseñada.

Esta sierra de banda ha sido diseñada para diversos tipos de material, de un diámetro máximo de 120.7 mm (4-3/4 pulg.) ó de una dimensión máxima de 127 mm (5 pulg.) x 120.7 mm (4-3/4 pulg.) para piezas rectangulares de 90°.

⚠ **ADVERTENCIA:** Limpie meticulosamente todo aceite y toda grasa que tenga la pieza de trabajo antes de fijarla en un torno u otro dispositivo de sujeción. Si la pieza de trabajo no está bien sujeta, puede soltarse durante el corte y romperse, lo cual podría causar graves lesiones corporales.

⚠ **ADVERTENCIA:** Jamás conecte la máquina herramienta si la corriente alterna disponible no es del mismo voltaje al especificado en la placa de identificación de la herramienta. Jamás enchufe esta herramienta en una fuente de corriente directa.

⚠ **ADVERTENCIA:** Peligro de Laceración. Si el cable de alimentación está conectado a la alimentación de corriente y el gatillo está encendido, la máquina herramienta podría encenderse repentinamente y causar un accidente grave.

Gatillo

Para encender la herramienta, apriete el gatillo (C). Para apagar la herramienta, libere el gatillo.

Corte

⚠ **ADVERTENCIA:** Para reducir el riesgo de lesión personal seria, apague la herramienta y desconéctela de la alimentación eléctrica antes de hacer algún ajuste o remover/instalar anexos o accesorios. Un encendido accidental puede provocar lesiones.

Refiérase a la Figura 7 para ver posiciones de corte recomendadas para diferentes materiales.

NOTA: Seleccione y utilice la hoja para sierras de banda que sea más apropiada para el material a cortar. Vea la **DESCRIPCIÓN DE LA HOJA**.

Esta sierra de banda portátil debe ser colgada con el gancho para colgar (K). Cuelgue la herramienta de una abrazadera de cañería u otra estructura adecuada y estable. (Fig. 2)

1. Monte el material a ser cortado en un torno u otro dispositivo de sujeción.

⚠ **ADVERTENCIA:** Nunca intente usar esta herramienta colocándola sobre una superficie y trayendo el material hacia la herramienta. Siempre sujete firmemente la pieza de trabajo y traiga la herramienta hacia la pieza de trabajo, sujetando firmemente la herramienta con ambas manos, como lo muestra la Figura 6.

2. Si requiere luz adicional, puede activar la luz (B) con el interruptor de la luz (P), como lo muestra la Figura 1. Si es necesario hacer un reemplazo, lleve la herramienta a un centro de servicio autorizado o a otro personal de servicio calificado, usando siempre repuestos originales.

⚠ **ADVERTENCIA:** Para reducir el riesgo de descarga eléctrica, NO utilice la herramienta si el lente LED se ha roto.

3. Coloque el tope (E) en contacto con la pieza de trabajo. Encienda la sierra.
4. Cuando la sierra alcance la velocidad de rotación deseada, incline lenta y suavemente el cuerpo principal de la herramienta para que la hoja de la sierra entre en contacto con la pieza de trabajo. No aplique una presión adicional superior al peso del cuerpo principal de la herramienta. Evite hacer contacto entre la hoja y la superficie superior de la pieza en forma brusca y repentina. Esto causará daños serios a la hoja de la sierra de banda. Para un máximo de duración de la hoja de la sierra de banda, asegúrese que no haya un impacto repentino al inicio del corte.
5. Como aparece ilustrado en la Figura 6, puede hacer cortes rectos si mantiene la hoja de la sierra en línea con la superficie lateral de la caja protectora del motor. Si la hoja se tuerce o inclina, el corte se saldrá de su línea y la hoja durará menos.

⚠ **ATENCIÓN:** Durante el corte, si la sierra de banda se bloquea o atora en el material de la pieza de trabajo, apague inmediatamente el interruptor para evitar dañar la hoja de la sierra y el motor.

6. El peso mismo de la herramienta, ofrece la presión más eficiente de corte hacia abajo. Si el operador añade más presión, la hoja irá más lentamente y durará menos.

- Los extremos, que podrían ser lo suficientemente pesados como para causar lesiones cuando se caigan luego del corte, deberían ser debidamente apoyadas. Se recomienda utilizar calzado de seguridad. Las piezas extremas pueden estar calientes.
- Sostenga firmemente la sierra con ambas manos para que la sierra no se caiga contra el material sujeto o apoyado cuando se complete el corte. **NO REALICE CAMBIOS A LA VELOCIDAD A NO SER QUE LA HERRAMIENTA HAYA SIDO APAGADA.**

Consejos para un corte mejor

Las siguientes recomendaciones deberían ser utilizadas como guía. Los resultados pueden variar dependiendo del operador y del material en particular que se está cortando.

- Jamás tuerza la hoja de la sierra durante el corte.
- Jamás utilice refrigerantes líquidos en conjunto con las sierras de banda portátiles. El uso de refrigerantes líquidos puede causar una acumulación en las llantas y entorpecer el desempeño.
- Si ocurre una vibración excesiva durante el corte, apague la sierra y ajuste ligeramente la velocidad. Asegúrese que el material que se está cortando está firmemente sujeto. Si la vibración sigue, cambie la hoja de la sierra.

MANTENIMIENTO

⚠️ ADVERTENCIA: Para reducir el riesgo de lesión personal seria, apague la herramienta y desconéctela de la alimentación eléctrica antes de hacer algún ajuste o remover/instalar anexos o accesorios. Un encendido accidental puede provocar lesiones.

Lubricación

La herramienta incorpora cojinetes autolubrificantes, por lo que no requiere lubricación periódica. En el desafortunado caso de necesitarse el servicio, lleve su herramienta a un centro de servicio autorizado.

Limpieza

⚠️ ADVERTENCIA: Sople la suciedad y el polvo de todos los conductos de ventilación con aire seco al menos una vez por semana. Use la adecuada protección para los ojos ANSI Z87.1 (CAN/CSA Z94.3) y la adecuada protección respiratoria NIOSH/OSHA/MSHA cuando realice esta operación.

⚠️ ADVERTENCIA: Nunca utilice solventes u otros productos químicos abrasivos para limpiar las piezas no metálicas de la herramienta. Estos productos químicos pueden debilitar los materiales plásticos utilizados en estas piezas. Utilice un paño humedecido sólo con agua y jabón neutro. Nunca permita que penetre líquido dentro de la herramienta y nunca sumerja las piezas de la herramienta en un líquido.

Reparaciones

Para garantizar la SEGURIDAD y la CONFIABILIDAD, las reparaciones, el mantenimiento y los ajustes (incluida la inspección y reemplazo de cepillos) deben ser realizados por un centro de mantenimiento de fábrica de DEWALT, un centro de mantenimiento DEWALT autorizado u otro personal de mantenimiento calificado. Utilice siempre piezas de repuesto idénticas.

Compra de accesorios

⚠️ ADVERTENCIA: Debido a que con este producto no se han probado otros accesorios que no sean los que ofrece DEWALT, el uso de dichos accesorios con esta herramienta podría ser peligroso. Para reducir el riesgo de lesiones, con este producto deben usarse sólo los accesorios DEWALT recomendados.

Los accesorios que se recomiendan para utilizar con la herramienta están disponibles a un costo adicional en su distribuidor local o en un centro de mantenimiento autorizado. Si necesita ayuda para localizar algún accesorio, póngase en contacto con DEWALT Industrial Tool Co., 701 East Joppa Road, Baltimore, MD 21286, llame al 1-800-4-DEWALT (1-800-433-9258) o visite nuestro sitio web www.dewalt.com.

PARA REPARACIÓN Y SERVICIO DE SUS HERRAMIENTAS ELÉCTRICAS, FAVOR DE DIRIGIRSE AL CENTRO DE SERVICIO MÁS CERCANO

CULIACAN, SIN

Blvd. Emiliano Zapata 5400-1 Poniente
Col. San Rafael (667) 717 89 99

GUADALAJARA, JAL

Av. La Paz #1779 - Col. Americana Sector Juárez (33) 3825 6978

MEXICO, D.F.

Eje Central Lázaro Cárdenas No. 18
Local D, Col. Obrera (55) 5588 9377

MERIDA, YUC

Calle 63 #459-A - Col. Centro (999) 928 5038

MONTERREY, N.L.

Av. Francisco I. Madero 831 Poniente - Col. Centro (818) 375 23 13

PUEBLA, PUE

17 Norte #205 - Col. Centro (222) 246 3714

QUERETARO, QRO

Av. San Roque 274 - Col. San Gregorio (442) 2 17 63 14

SAN LUIS POTOSI, SLP

Av. Universidad 1525 - Col. San Luis (444) 814 2383

TORREON, COAH

Blvd. Independencia, 96 Pte. - Col. Centro (871) 716 5265

VERACRUZ, VER

Prolongación Díaz Mirón #4280 - Col. Remes (229) 921 7016

VILLAHERMOSA, TAB

Constitución 516-A - Col. Centro (993) 312 5111

PARA OTRAS LOCALIDADES:

Si se encuentra en México, por favor llame al (55) 5326 7100

Si se encuentra en U.S., por favor llame al
1-800-433-9258 (1-800 4-DEWALT)

Póliza de Garantía

IDENTIFICACIÓN DEL PRODUCTO:

Sello o firma del Distribuidor.

Nombre del producto: _____ Mod./Cat.: _____

Marca: _____ Núm. de serie: _____

(Datos para ser llenados por el distribuidor)

Fecha de compra y/o entrega del producto: _____

Nombre y domicilio del distribuidor donde se adquirió el producto: _____

Este producto está garantizado por un año a partir de la fecha de entrega, contra cualquier defecto en su funcionamiento, así como en materiales y mano de obra empleados para su fabricación. Nuestra garantía incluye la reparación o reposición del producto y/o componentes sin cargo alguno para el cliente, incluyendo mano de obra, así como los gastos de transportación razonablemente erogados derivados del cumplimiento de este certificado.

Para hacer efectiva esta garantía deberá presentar su herramienta y esta póliza sellada por el establecimiento comercial donde se adquirió el producto, de no contar con ésta, bastará la factura de compra.

EXCEPCIONES.

Esta garantía no será válida en los siguientes casos:

- Cuando el producto se hubiese utilizado en condiciones distintas a las normales;
- Cuando el producto no hubiese sido operado de acuerdo con el instructivo de uso que se acompaña;
- Cuando el producto hubiese sido alterado o reparado por personas distintas a las enlistadas al final de este certificado.

Anexo encontrará una relación de sucursales de servicio de fábrica, centros de servicio autorizados y franquiciados en la República Mexicana, donde podrá hacer efectiva su garantía y adquirir partes, refacciones y accesorios originales.

Garantía limitada de tres años

DEWALT reparará sin cargo cualquier defecto ocasionado por materiales defectuosos o mano de obra, durante tres años a partir de la fecha de compra. Esta garantía no cubre fallas en las piezas que resulten del desgaste normal de la herramienta o de su utilización inadecuada. Para obtener información detallada sobre la cobertura de la garantía y sobre reparaciones, visite nuestra página Web www.dewalt.com o llame al 1-800-4-DEWALT (1-800-433-9258). Esta garantía no se extiende a los accesorios o a los daños causados por terceros al intentar realizar reparaciones. Esta garantía le concede derechos legales específicos; usted goza también de otros derechos que varían según el estado o provincia.

Además de la garantía, las herramientas DEWALT están cubiertas por nuestro:

SERVICIO GRATUITO DE 1 AÑO

DEWALT realiza el mantenimiento de la herramienta y reemplaza las piezas gastadas tras el uso normal, sin costo alguno, en cualquier momento durante el primer año después de la compra.

GARANTÍA DE REEMBOLSO DE DINERO DE 90 DÍAS

If you are not completely satisfied with the performance of your DEWALT Power Tool, Laser, or Nailer for any reason, you can return it within 90 days from the date of purchase with a receipt for a full refund – no questions asked.

AMÉRICA LATINA: Esta garantía no se aplica a los productos que se venden en América Latina. Para los productos que se venden en América Latina, debe consultar la información de la garantía específica del país que viene en el empaque, llamar a la compañía local o visitar el sitio Web a fin de obtener esa información.

REEMPLAZO GRATUITO DE LAS ETIQUETAS DE ADVERTENCIA: Si sus etiquetas de advertencia se tornan ilegibles o faltan, llame al 1-800-4-DEWALT para que se le reemplacen gratuitamente.



ESPECIFICACIONES

DWM120

Tensión de alimentación:	120 V AC (~)
Consumo de corriente:	10 A
Frecuencia de alimentación:	60 Hz
Potencia nominal:	580 W
Rotación sin carga:	30 - 106 m/min (100 - 350 ft/min)

SOLAMENTE PARA PROPÓSITO DE MÉXICO:
IMPORTADO POR: DEWALT S.A. DE C.V.
BOSQUES DE CIDROS, ACCESO RADIATAS NO.42
3A. SECCIÓN DE BOSQUES DE LAS LOMAS
DELEGACIÓN CUAJIMALPA,
05120, MÉXICO, D.F.
TEL. (52) 555-326-7100
R.F.C.: BDE810626-1W7

Para servicio y ventas consulte
"HERRAMIENTAS ELÉCTRICAS"
en la sección amarilla.



Free Manuals Download Website

<http://myh66.com>

<http://usermanuals.us>

<http://www.somanuals.com>

<http://www.4manuals.cc>

<http://www.manual-lib.com>

<http://www.404manual.com>

<http://www.luxmanual.com>

<http://aubethermostatmanual.com>

Golf course search by state

<http://golfingnear.com>

Email search by domain

<http://emailbydomain.com>

Auto manuals search

<http://auto.somanuals.com>

TV manuals search

<http://tv.somanuals.com>