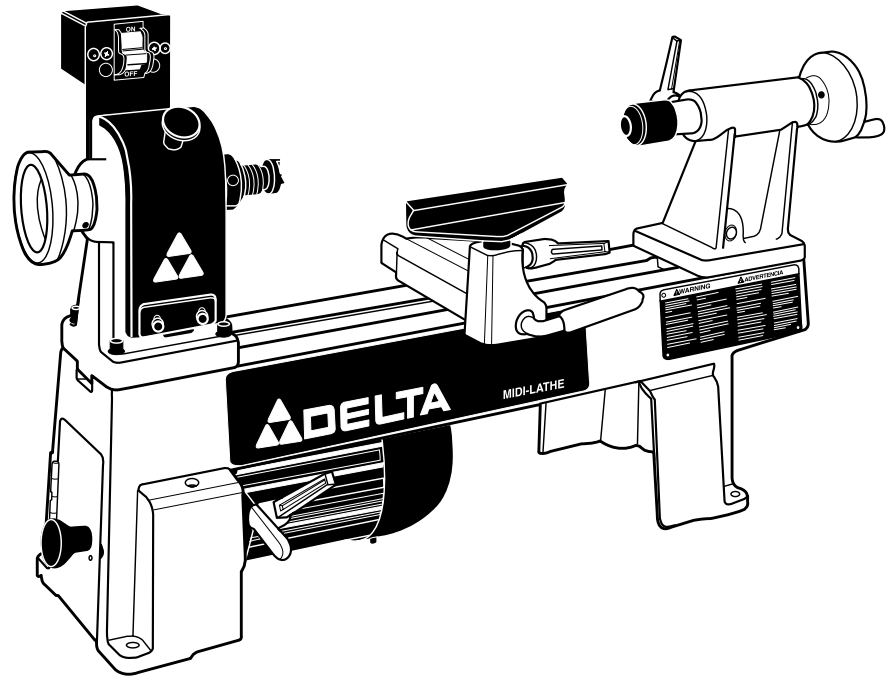


Midi-Lathe

Tour Midi-Lathe

Torno Midi



Instruction Manual
Manuel d'Utilisation
Manual de Instrucciones

FRANÇAIS (22)

ESPAÑOL (42)

www.deltamachinery.com

(800) 223-7278 - US

(800) 463-3582 - CANADA

TABLE OF CONTENTS

IMPORTANT SAFETY INSTRUCTIONS	2	TROUBLESHOOTING	20
SAFETY GUIDELINES - DEFINITIONS	2	MAINTENANCE	20
GENERAL SAFETY RULES	3	SERVICE	20
ADDITIONAL SPECIFIC SAFETY RULES	4	ACCESSORIES	21
FUNCTIONAL DESCRIPTION	6	WARRANTY	21
CARTON CONTENTS	6	FRANÇAIS	22
ASSEMBLY	7	ESPAÑOL	42
OPERATION	10		

IMPORTANT SAFETY INSTRUCTIONS

⚠ WARNING: Read and understand all warnings and operating instructions before using any tool or equipment. When using tools or equipment, basic safety precautions should always be followed to reduce the risk of personal injury. Improper operation, maintenance or modification of tools or equipment could result in serious injury and property damage. There are certain applications for which tools and equipment are designed. Delta Machinery strongly recommends that this product NOT be modified and/or used for any application other than for which it was designed.



If you have any questions relative to its application DO NOT use the product until you have written Delta Machinery and we have advised you. Contact us online at www.deltamachinery.com or by mail at Technical Service Manager, Delta Machinery, 4825 Highway 45 North, Jackson, TN 38305. In Canada, 125 Mural St. Suite 300, Richmond Hill, ON, L4B 1M4)

Information regarding the safe and proper operation of this tool is available from the following sources:

- Power Tool Institute, 1300 Sumner Avenue, Cleveland, OH 44115-2851 or online at www.powertoolinstitute.org
- National Safety Council, 1121 Spring Lake Drive, Itasca, IL 60143-3201
- American National Standards Institute, 25 West 43rd Street, 4 floor, New York, NY 10036 www.ansi.org - ANSI 01.1 Safety Requirements for Woodworking Machines
- U.S. Department of Labor regulations www.osha.gov

SAVE THESE INSTRUCTIONS!

SAFETY GUIDELINES - DEFINITIONS

It is important for you to read and understand this manual. The information it contains relates to protecting YOUR SAFETY and PREVENTING PROBLEMS. The symbols below are used to help you recognize this information.

⚠ DANGER: Indicates an imminently hazardous situation which, if not avoided, **will** result in **death or serious injury**.

⚠ WARNING: Indicates a potentially hazardous situation which, if not avoided, **could** result in **death or serious injury**.

⚠ CAUTION: Indicates a potentially hazardous situation which, if not avoided, **may** result in **minor or moderate injury**.

CAUTION: Used without the safety alert symbol indicates a potentially hazardous situation which, if not avoided, **may** result in **property damage**.

CALIFORNIA PROPOSITION 65

⚠ WARNING: Some dust created by power sanding, sawing, grinding, drilling, and other construction activities contains chemicals known to cause cancer, birth defects or other reproductive harm. Some examples of these chemicals are:

- lead from lead-based paints,
- crystalline silica from bricks and cement and other masonry products, and
- arsenic and chromium from chemically-treated lumber.

Your risk from these exposures varies, depending on how often you do this type of work. To reduce your exposure to these chemicals: work in a well ventilated area, and work with approved safety equipment, always wear NIOSH/OSHA approved, properly fitting face mask or respirator when using such tools.

GENERAL SAFETY RULES

▲WARNING Failure to follow these rules may result in serious personal injury.

- FOR YOUR OWN SAFETY, READ THE INSTRUCTION MANUAL BEFORE OPERATING THE MACHINE.** Learning the machine's application, limitations, and specific hazards will greatly minimize the possibility of accidents and injury.
- WEAR EYE AND HEARING PROTECTION. ALWAYS USE SAFETY GLASSES.** Everyday eyeglasses are NOT safety glasses. USE CERTIFIED SAFETY EQUIPMENT. Eye protection equipment should comply with ANSI Z87.1 standards. Hearing equipment should comply with ANSI S3.19 standards.
- WEAR PROPER APPAREL.** Do not wear loose clothing, gloves, neckties, rings, bracelets, or other jewelry which may get caught in moving parts. Nonslip protective footwear is recommended. Wear protective hair covering to contain long hair.
- DO NOT USE THE MACHINE IN A DANGEROUS ENVIRONMENT.** The use of power tools in damp or wet locations or in rain can cause shock or electrocution. Keep your work area well-lit to prevent tripping or placing arms, hands, and fingers in danger.
- MAINTAIN ALL TOOLS AND MACHINES IN PEAK CONDITION.** Keep tools sharp and clean for best and safest performance. Follow instructions for lubricating and changing accessories. Poorly maintained tools and machines can further damage the tool or machine and/or cause injury.
- CHECK FOR DAMAGED PARTS.** Before using the machine, check for any damaged parts. Check for alignment of moving parts, binding of moving parts, breakage of parts, and any other conditions that may affect its operation. A guard or any other part that is damaged **should be properly repaired or replaced with Delta or factory authorized replacement parts.** Damaged parts can cause further damage to the machine and/or injury.
- KEEP THE WORK AREA CLEAN.** Cluttered areas and benches invite accidents.
- KEEP CHILDREN AND VISITORS AWAY.** Your shop is a potentially dangerous environment. Children and visitors can be injured.
- REDUCE THE RISK OF UNINTENTIONAL STARTING.** Make sure that the switch is in the "OFF" position before plugging in the power cord. In the event of a power failure, move the switch to the "OFF" position. An accidental start-up can cause injury. Do not touch the plug's metal prongs when unplugging or plugging in the cord.
- USE THE GUARDS.** Check to see that all guards are in place, secured, and working correctly to prevent injury.
- REMOVE ADJUSTING KEYS AND WRENCHES BEFORE STARTING THE MACHINE.** Tools, scrap pieces, and other debris can be thrown at high speed, causing injury.
- USE THE RIGHT MACHINE.** Don't force a machine or an attachment to do a job for which it was not designed. Damage to the machine and/or injury may result.
- USE RECOMMENDED ACCESSORIES.** The use of accessories and attachments not recommended by Delta may cause damage to the machine or injury to the user.
- USE THE PROPER EXTENSION CORD.** Make sure your extension cord is in good condition. When using an extension cord, be sure to use one heavy enough to carry the current your product will draw. An undersized cord will cause a drop in line voltage, resulting in loss of power and overheating. See the Extension Cord Chart for the correct size depending on the cord length and nameplate ampere rating. If in doubt, use the next heavier gauge. The smaller the gauge number, the heavier the cord.
- SECURE THE WORKPIECE.** Use clamps or a vise to hold the workpiece when practical. Loss of control of a workpiece can cause injury.
- FEED THE WORKPIECE AGAINST THE DIRECTION OF THE ROTATION OF THE BLADE, CUTTER, OR ABRASIVE SURFACE.** Feeding it from the other direction will cause the workpiece to be thrown out at high speed.
- DON'T FORCE THE WORKPIECE ON THE MACHINE.** Damage to the machine and/or injury may result.
- DON'T OVERREACH.** Loss of balance can make you fall into a working machine, causing injury.
- NEVER STAND ON THE MACHINE.** Injury could occur if the tool tips, or if you accidentally contact the cutting tool.
- NEVER LEAVE THE MACHINE RUNNING UNATTENDED. TURN THE POWER OFF.** Don't leave the machine until it comes to a complete stop. A child or visitor could be injured.
- TURN THE MACHINE "OFF", AND DISCONNECT THE MACHINE FROM THE POWER SOURCE** before installing or removing accessories, changing cutters, adjusting or changing set-ups. When making repairs, be sure to lock the start switch in the "OFF" position. An accidental start-up can cause injury.
- MAKE YOUR WORKSHOP CHILDPROOF WITH PADLOCKS, MASTER SWITCHES, OR BY REMOVING STARTER KEYS.** The accidental start-up of a machine by a child or visitor could cause injury.
- STAY ALERT, WATCH WHAT YOU ARE DOING, AND USE COMMON SENSE. DO NOT USE THE MACHINE WHEN YOU ARE TIRED OR UNDER THE INFLUENCE OF DRUGS, ALCOHOL, OR MEDICATION.** A moment of inattention while operating power tools may result in injury.
- ▲WARNING** USE OF THIS TOOL CAN GENERATE AND DISBURSE DUST OR OTHER AIRBORNE PARTICLES, INCLUDING WOOD DUST, CRYSTALLINE SILICA DUST AND ASBESTOS DUST. Direct particles away from face and body. Always operate tool in well ventilated area and provide for proper dust removal. Use dust collection system wherever possible. Exposure to the dust may cause serious and permanent respiratory or other injury, including silicosis (a serious lung disease), cancer, and death. Avoid breathing the dust, and avoid prolonged contact with dust. Allowing dust to get into your mouth or eyes, or lay on your skin may promote absorption of harmful material. Always use properly fitting NIOSH/OSHA approved respiratory protection appropriate for the dust exposure, and wash exposed areas with soap and water.

ADDITIONAL SPECIFIC SAFETY RULES

⚠ WARNING Failure to follow these rules may result in serious personal injury.

1. **DO NOT OPERATE THIS MACHINE UNTIL** it is assembled and installed according to the instructions.
2. **OBTAIN ADVICE** from your supervisor, instructor, or another qualified person if you are not familiar with the operation of this machine.
3. **FOLLOW ALL WIRING CODES** and recommended electrical connections.
4. **ROUGH CUT THE WORKPIECE** as close as possible to the finished shape before installing it on the faceplate.
5. **EXAMINE THE WORKPIECE FOR FLAWS** and test glue joints before mounting the workpiece on machine. DO NOT mount a split workpiece or one containing a knot.
6. **SECURELY FASTEN THE WORKPIECE** to the faceplate prior to faceplate turning. Use the appropriate size faceplate to properly support the workpiece. Do not let the screw fasteners interfere with the turning tool at the finished dimension of the workpiece.
7. **NEVER DRIVE THE WORKPIECE** into the drive center while the drive center is in the headstock. Set the drive center into the workpiece with a soft mallet prior to installing it on the headstock.
8. **SNUG THE TAILSTOCK CENTER** against the workpiece and lock it. Lubricate the tailstock center if it is not a ball bearing center.
9. **PROPERLY ADJUST THE TOOL REST HEIGHT.**
10. **ADJUST THE TOOL REST** so it is as close to the workpiece as possible.
11. **TIGHTEN ALL CLAMP LOCKING HANDLES** before operating.
12. **ROTATE THE WORKPIECE BY HAND** to check clearance before turning the machine "ON".
13. **CLEAR THE LATHE BED OF ALL OBJECTS** (tools, scraps of wood, etc.) before turning the machine "ON".
14. **EXAMINE THE SET-UP CAREFULLY** before turning the machine "ON".
15. **STAND CLEAR, AND KEEP ALL OBSERVERS AND PASSERSBY** clear of rotating path of workpiece to avoid injury from flying debris.
16. **USE THE LOWEST SPEED** when starting a new workpiece. NEVER EXCEED recommended speeds.
17. **NEVER ADJUST THE TOOL REST** while the workpiece is turning.
18. **NEVER LOOSEN THE TAILSTOCK SPINDLE** or the tailstock while workpiece is turning.
19. **MOVE THE CUTTING TOOL INTO THE WORKPIECE SLOWLY**, and cut small amounts when roughing.
20. **REMOVE THE TOOL REST** before sanding or polishing.
21. **NEVER PERFORM LAYOUT**, assembly, or set-up work on the table/work area when the machine is running.
22. **TURN THE MACHINE "OFF" AND DISCONNECT THE MACHINE** from the power source before installing or removing accessories, before adjusting or changing set-ups, or when making repairs.
23. **TURN THE MACHINE "OFF"**, disconnect the machine from the power source, and clean the table/work area before leaving the machine. **LOCK THE SWITCH IN THE "OFF" POSITION** to prevent unauthorized use.
24. **ADDITIONAL INFORMATION** regarding the safe and proper operation of power tools (i.e. a safety video) is available from the Power Tool Institute, 1300 Sumner Avenue, Cleveland, OH 44115-2851 (www.powertoolinstitute.com). Information is also available from the National Safety Council, 1121 Spring Lake Drive, Itasca, IL 60143-3201. Please refer to the American National Standards Institute ANSI 01.1 Safety Requirements for Woodworking Machines and the U.S. Department of Labor OSHA 1910.213 Regulations.

SAVE THESE INSTRUCTIONS.

Refer to them often and use them to instruct others.

POWER CONNECTIONS

A separate electrical circuit should be used for your machines. This circuit should not be less than #12 wire and should be protected with a 20 Amp time lag fuse. If an extension cord is used, use only 3-wire extension cords which have 3-prong grounding type plugs and matching receptacle which will accept the machine's plug. Before connecting the machine to the power line, make sure the switch (s) is in the "OFF" position and be sure that the electric current is of the same characteristics as indicated on the machine. All line connections should make good contact. Running on low voltage will damage the machine.

⚠ DANGER Do not expose the machine to rain or operate the machine in damp locations.

MOTOR SPECIFICATIONS

Your machine is wired for 120 Volt, 60 HZ alternating current. Before connecting the machine to the power source, make sure the switch is in the "OFF" position.

GROUNDING INSTRUCTIONS

⚠ DANGER This machine must be grounded while in use to protect the operator from electric shock.

1. All grounded, cord-connected machines:

In the event of a malfunction or breakdown, grounding provides a path of least resistance for electric current to reduce the risk of electric shock. This machine is equipped with an electric cord having an equipment-grounding conductor and a grounding plug. The plug must be plugged into a matching outlet that is properly installed and grounded in accordance with all local codes and ordinances.

Do not modify the plug provided - if it will not fit the outlet, have the proper outlet installed by a qualified electrician.

Improper connection of the equipment-grounding conductor can result in risk of electric shock. The conductor with insulation having an outer surface that is green with or without yellow stripes is the equipment-grounding conductor. If repair or replacement of the electric cord or plug is necessary, do not connect the equipment-grounding conductor to a live terminal.

Check with a qualified electrician or service personnel if the grounding instructions are not completely understood, or if in doubt as to whether the machine is properly grounded.

Use only 3-wire extension cords that have 3-prong grounding type plugs and matching 3-conductor receptacles that accept the machine's plug, as shown in Fig. A.

Repair or replace damaged or worn cord immediately.

2. Grounded, cord-connected machines intended for use on a supply circuit having a nominal rating less than 150 volts:

If the machine is intended for use on a circuit that has an outlet that looks like the one illustrated in Fig. A, the machine will have a grounding plug that looks like the plug illustrated in Fig. A. A temporary adapter, which looks like the adapter illustrated in Fig. B, may be used to connect this plug to a matching 2-conductor receptacle as shown in Fig. B if a properly grounded outlet is not available. The temporary adapter should be used only until a properly grounded outlet can be installed by a qualified electrician. The green-colored rigid ear, lug, and the like, extending from the adapter must be connected to a permanent ground such as a properly grounded outlet box. Whenever the adapter is used, it must be held in place with a metal screw.

NOTE: In Canada, the use of a temporary adapter is not permitted by the Canadian Electric Code.

⚠ DANGER In all cases, make certain that the receptacle in question is properly grounded. If you are not sure, have a qualified electrician check the receptacle.

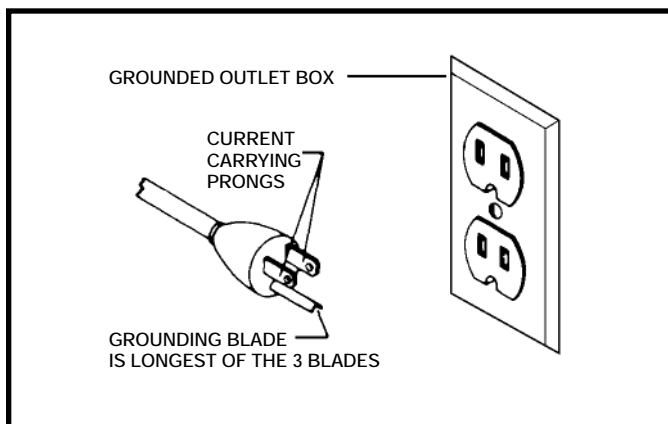


Fig. A

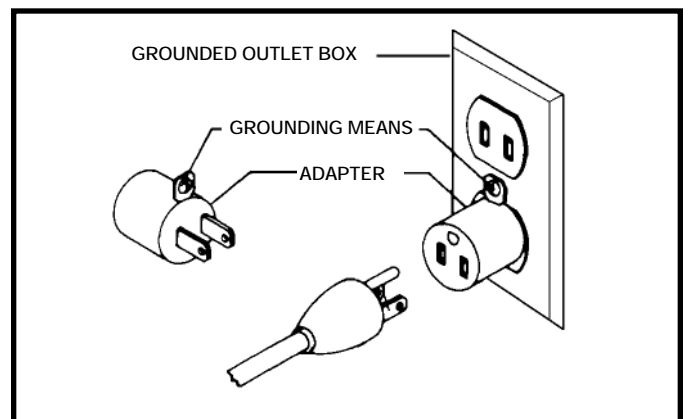


Fig. B

EXTENSION CORDS

⚠ WARNING Use proper extension cords. Make sure your extension cord is in good condition and is a 3-wire extension cord which has a 3-prong grounding type plug and matching receptacle which will accept the machine's plug. When using an extension cord, be sure to use one heavy enough to carry the current of the machine. An undersized cord will cause a drop in line voltage, resulting in loss of power and overheating. Fig. D-1 shows the correct gauge to use depending on the cord length. If in doubt, use the next heavier gauge. The smaller the gauge number, the heavier the cord.

MINIMUM GAUGE EXTENSION CORD			
RECOMMENDED SIZES FOR USE WITH STATIONARY ELECTRIC MACHINES			
Ampere Rating	Volts	Total Length of Cord in Feet	Gauge of Extension Cord
0-6	120	up to 25	18 AWG
0-6	120	25-50	16 AWG
0-6	120	50-100	16 AWG
0-6	120	100-150	14 AWG
6-10	120	up to 25	18 AWG
6-10	120	25-50	16 AWG
6-10	120	50-100	14 AWG
6-10	120	100-150	12 AWG
10-12	120	up to 25	16 AWG
10-12	120	25-50	16 AWG
10-12	120	50-100	14 AWG
10-12	120	100-150	12 AWG
12-16	120	up to 25	14 AWG
12-16	120	25-50	12 AWG
12-16	120	GREATER THAN 50 FEET NOT RECOMMENDED	

Fig. D-1

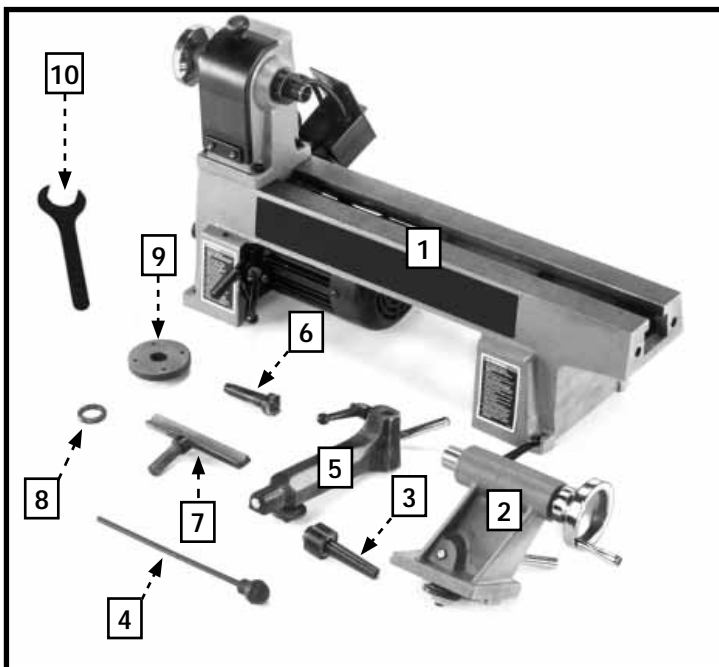
FUNCTIONAL DESCRIPTION

FORWARD

Delta Model LA200 is a compact and stable wood lathe with a powerful 1/2 HP, 1725 rpm motor. This lathe will turn objects up to 10" in diameter over the bed and 6" in diameter over the tool rest base with a maximum distance between centers of 37" with the optional bed extension.

NOTICE: The photo on the manual cover illustrates the current production model. All other illustrations contained in the manual are representative only and may not depict the actual labeling or accessories included. These are intended to illustrate technique only.

CARTON CONTENTS



1. Lathe
2. Tailstock
3. Live Center
4. Knockout Bar
5. Tool Rest Base
6. Spur Center
7. Tool Rest
8. Spacer
9. Face Plate
10. Spanner Wrench

UNPACKING AND CLEANING

Carefully unpack the machine and all loose items from the shipping container(s). Remove the rust-preventative oil from unpainted surfaces using a soft cloth moistened with mineral spirits, paint thinner or denatured alcohol.

CAUTION Do not use highly volatile solvents such as gasoline, naphtha, acetone or lacquer thinner for cleaning your machine.

After cleaning, cover the unpainted surfaces with a good quality household floor paste wax.

ASSEMBLY

WARNING For your own safety, do not connect the machine to the power source until the machine is completely assembled and you read and understand the entire instruction manual.

ASSEMBLY TOOLS REQUIRED

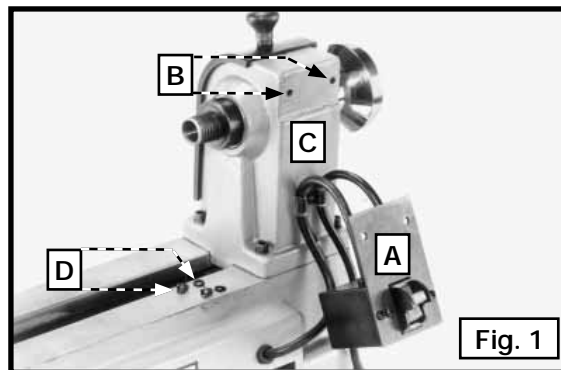
Open-end wrench (supplied)
Philips Head Screwdriver (not supplied)

ASSEMBLY TIME ESTIMATE

The assembly time for this unit is approximately 30 minutes.

ATTACHING THE ON/OFF SWITCH

To prevent damage to the "ON/OFF" switch, the lathe is shipped with the switch bracket detached. Attach the switch bracket in the upright position. Align the two holes in the switch bracket (A) Fig. 1 with the two holes (B) at the rear of the headstock (C). Attach the switch bracket (A) to the machine with two pan head screws (D) and lockwashers (Fig. 2).

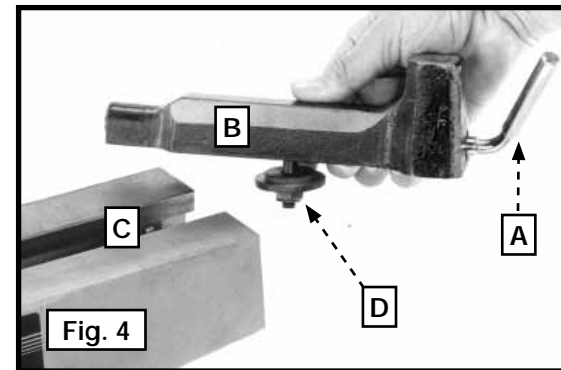
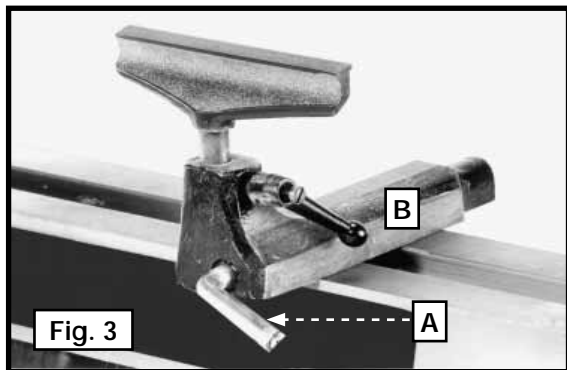
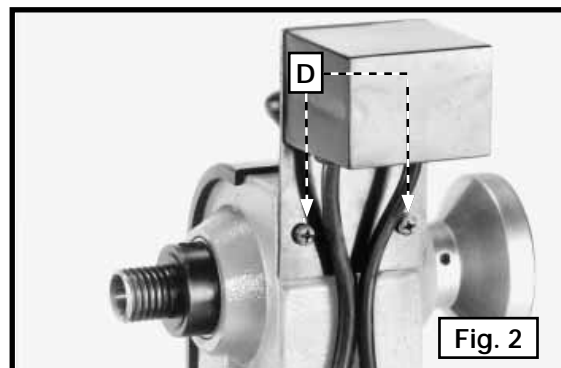


ATTACHING THE TOOL REST TO THE LATHE BED

1. Loosen the locking lever (A) Fig. 3. Slide the tool rest base (B) into the channel of the lathe bed (C) Fig. 4.

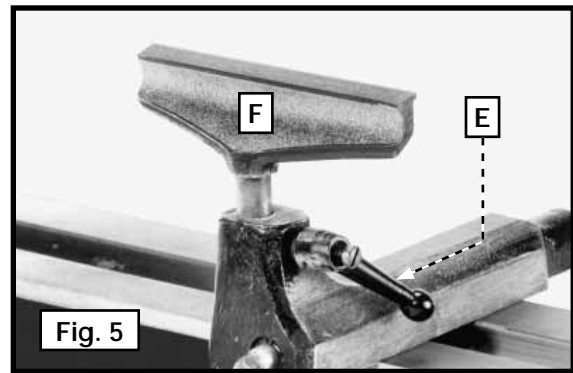
NOTE: If the tool rest base will not slide easily into the channel of the lathe bed, turn the tool rest base over and loosen the locknut (D) Fig. 3. Tighten the locking lever (A) Fig. 4 securely.

2. **IMPORTANT:** If the clamping action on the tool rest base (B) Fig. 4 is too tight or too loose on the lathe bed, remove the base and turn the nut (D) Fig. 4 clockwise to tighten clamping action, or counter-clockwise to loosen the clamping action. Attach the tool rest base on the lathe bed.



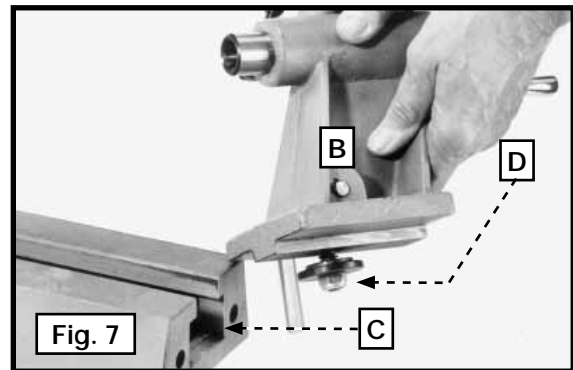
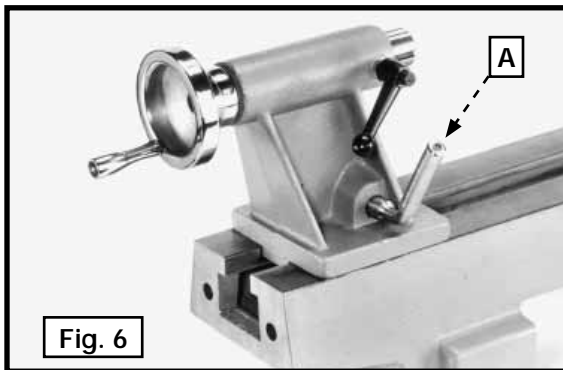
- Loosen the locking lever (E) Fig.5 and insert the tool rest (F) in the tool rest base.

NOTE: To adjust the height of the tool rest, loosen the locking lever (E). After adjustment, tighten the locking lever.



ATTACHING THE TAILSTOCK TO THE LATHE BED

- Loosen the locking lever (A) Fig. 6, and slide the tailstock assembly (B) Fig. 7 in the channel (C) of the lathe bed.
- IMPORTANT:** If the clamping action on the tailstock (B) Fig. 7 is too tight or too loose on the lathe bed, remove the tailstock and turn the nut (D) Fig. 7 clockwise to tighten the clamping action, or counter-clockwise to loosen the clamping action. Attach the tailstock on the lathe bed and tighten locking lever (A) Fig. 6.



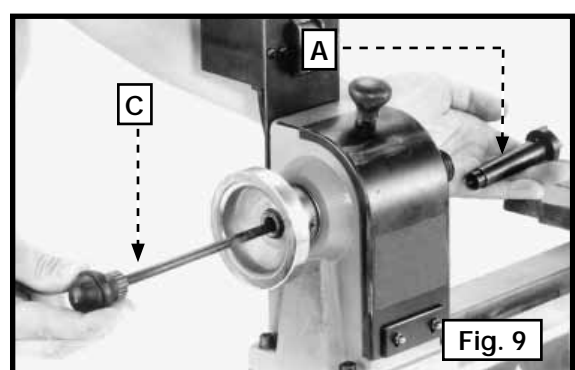
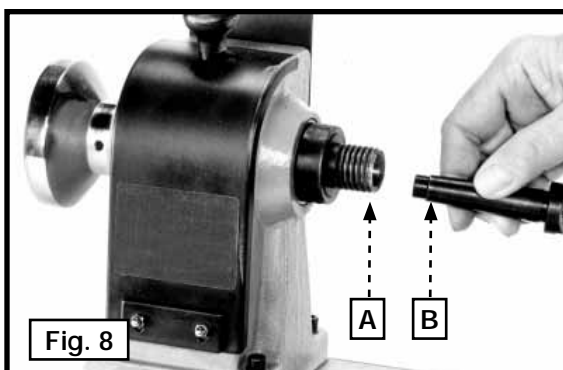
ATTACHING THE HEADSTOCK SPUR CENTER TO THE LATHE

- The supplied spur center (A) Fig. 8 is equipped with a No. 2 Morse Tapered shank (B). It will fit snugly into the headstock spindle.

NOTE: Before inserting, clean both the shank and the headstock spindle to remove grease or debris.

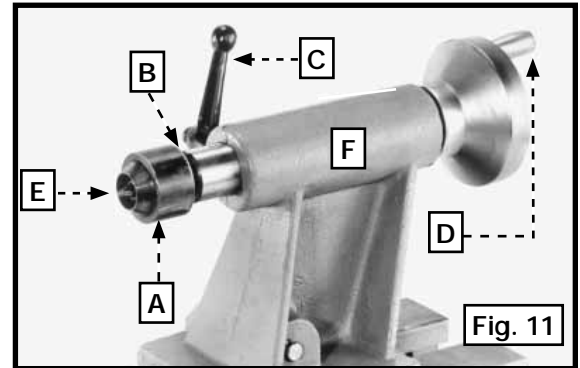
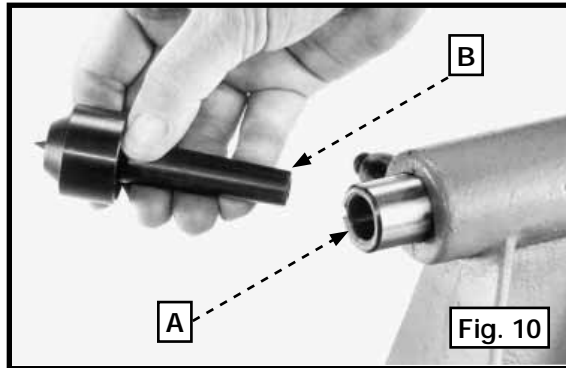
- Use the knockout bar (C) Fig. 9 through the hole in the opposite end of the spindle to remove the spur center (A).

CAUTION Be careful of the sharp points on the shank spur center.



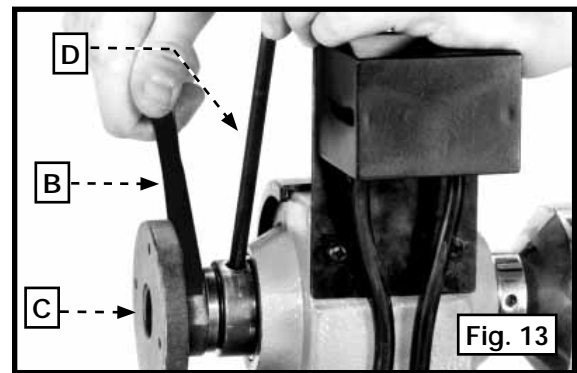
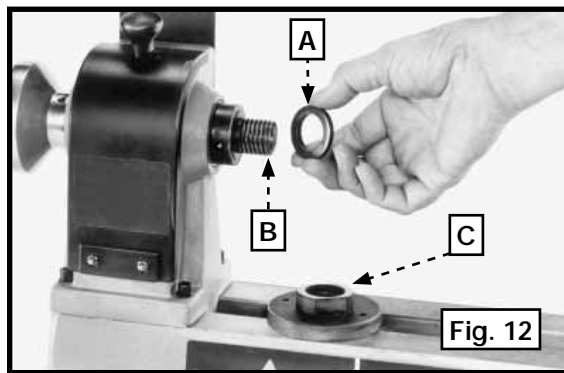
ATTACHING THE LIVE CENTER TO THE TAILSTOCK

The supplied tailstock live center (A) Fig. 10 is equipped with a No. 2 Morse Taper shank (B). This center comes inserted in the tailstock spindle. To remove the live center (A) Fig. 11 from the tailstock spindle, loosen the lock knob (C) and rotate the handwheel (D) to push the live center (A) out of the spindle (B). Use the knockout bar through the hollow tailstock (F) to remove the center point (E).



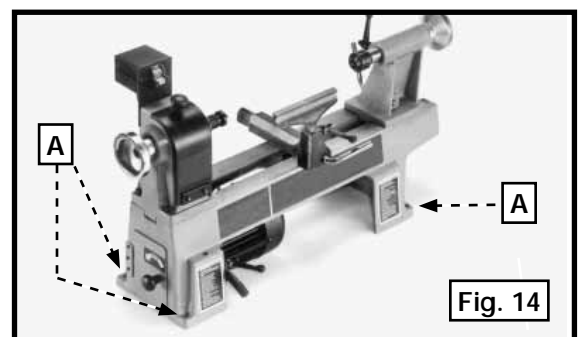
To use the faceplate for inboard turning, mount the faceplate to the headstock spindle (shown without a workpiece for clarity).

1. Install the spacer (A) Fig. 12 on the headstock spindle (B).
2. Thread the faceplate (C) Fig. 13 on spindle. Insert the knockout bar (D) into the hole in the spindle to keep it from turning. Tighten the faceplate (C) with the supplied wrench (B) on the flats.



FASTENING THE LATHE TO A SUPPORTING SURFACE

You must fasten the wood lathe to a supporting surface. Four mounting holes (three of which are shown at A) Fig. 14 are provided in the base of the lathe.



OPERATION

OPERATIONAL CONTROLS AND ADJUSTMENTS

STARTING AND STOPPING THE LATHE

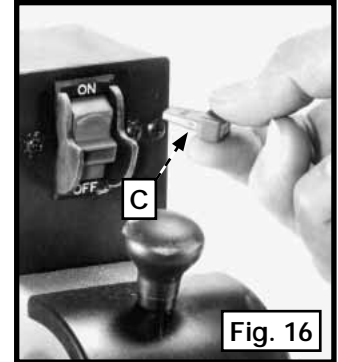
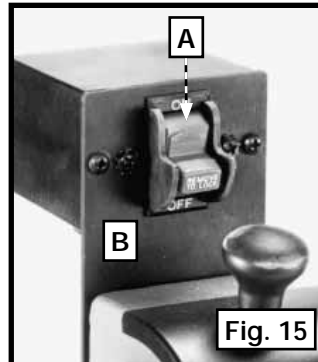
The on/off switch (A) Fig. 15 is located on the bracket (B) attached earlier to the rear of the headstock. To turn the switch "ON", move the switch (A) up to the "ON" position. To turn the switch "OFF", move the toggle switch (A) down to the "OFF" position.

⚠ WARNING Make sure that the switch is in the "OFF" position before plugging in the power cord. In the event of a power failure, move the switch to the "OFF" position. An accidental start-up can cause injury.

LOCKING THE SWITCH IN THE "OFF" POSITION

IMPORTANT: When the tool is not in use, the switch should be locked in the "OFF" position to prevent unauthorized use. To lock the machine, grasp the switch toggle (C) Fig. 16 and pull it out of the switch. With the switch toggle (C) removed, the switch will not operate. However, should the switch toggle be removed while the lathe is running, the machine can be turned "OFF," but cannot be restarted without re-inserting the switch toggle (C).

⚠ WARNING In the event of a power outage (such as a breaker or fuse trip), always move the switch to the "OFF" position until the main power is restored.



SPINDLE SPEEDS

This wood lathe is capable of providing speeds of 500, 800, 1250, 1800, 2650, and 3700 RPM.

CHANGING SPINDLE SPEEDS

The wood lathe features a six-step motor pulley and spindle pulley to provide the different spindle speeds for particular wood turning applications. To change speeds:

⚠ WARNING Disconnect the machine from the power source!

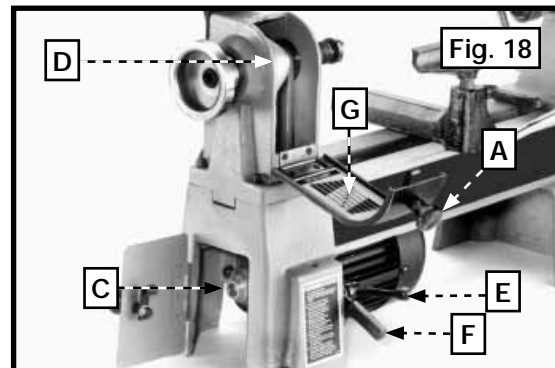
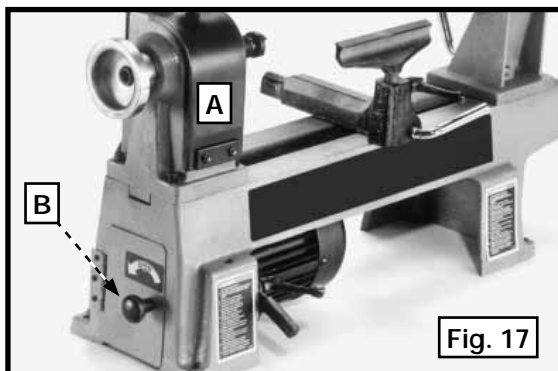
1. Open the doors (A) and (B) Fig. 17 to gain access to the motor pulley (C) Figs. 19 and 20, and spindle pulley (D) Figs. 18 and 20.
2. Loosen the locking lever (E) Fig. 18. Raise the lever (F) Fig. 18 and tighten the locking lever (E) to enable the drive belt to move on the pulleys.

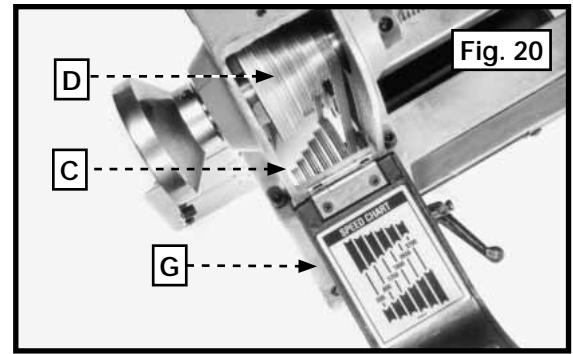
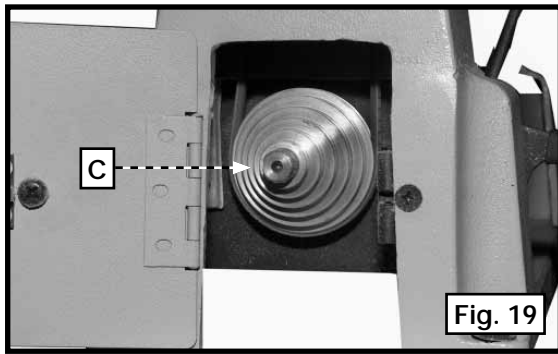
IMPORTANT: A speed and belt position chart (G) Figs. 18 and 20 is located on the inside of the door (A) Fig. 17 to help position the belt correctly.

3. While holding the lever (F) Fig. 18, loosen the locking lever (E). Lower the motor.

NOTE: Push down slightly on the motor with firm finger pressure (to tension the drive belt) before you retighten the locking lever.

4. Tighten the locking lever (E).



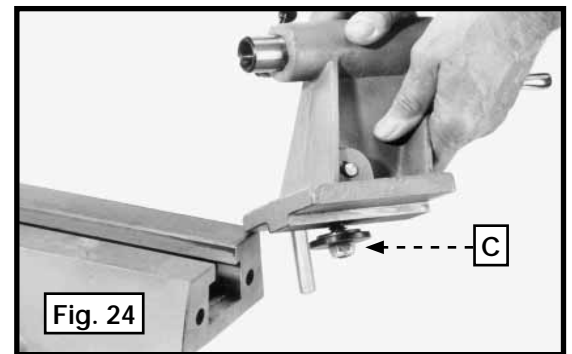
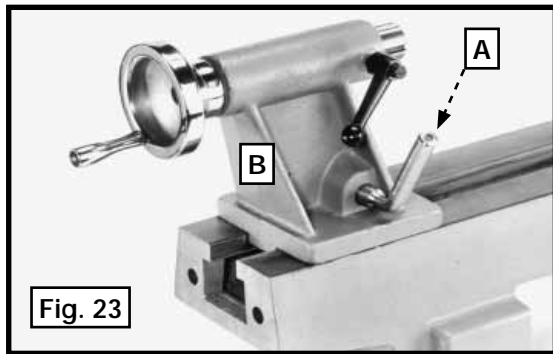
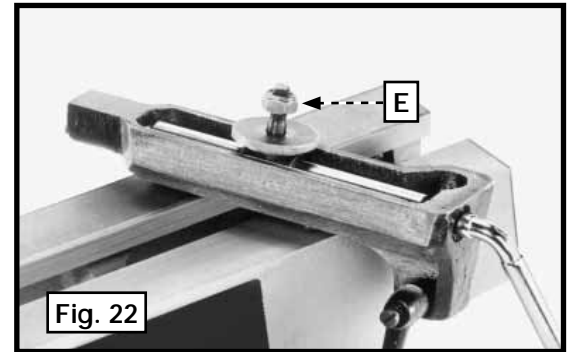
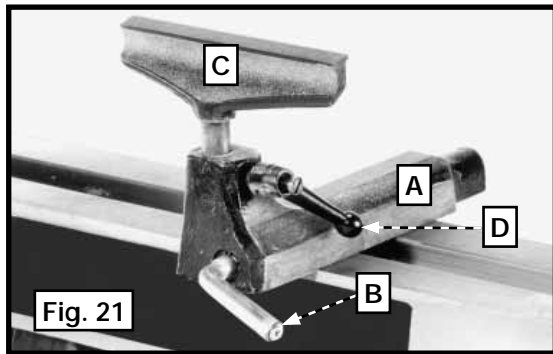


ADJUSTING THE TOOL REST

⚠ WARNING Disconnect the machine from the power source!

For most applications, position the tool rest as close as possible to the workpiece and approximately 1/8" above the workpiece centerline.

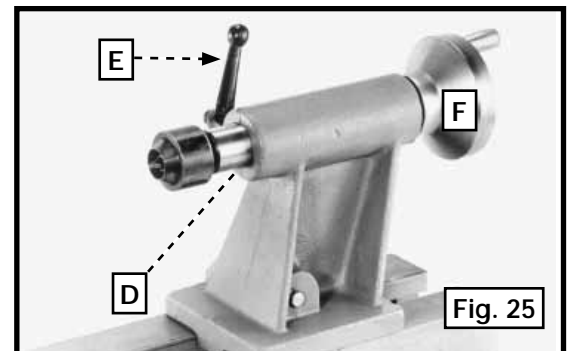
1. To position the tool rest base (A) Fig. 21 along the lathe bed, loosen the locking lever (B), slide the tool rest base to the desired position, and tighten the lever (B).
2. To adjust the height of the tool rest (C) Fig. 21, loosen the lever (D), raise or lower tool rest, and tighten the lever (D).
3. You can adjust the clamping device on the tool rest base by adjusting the nut (E) clockwise to tighten or counter-clockwise to loosen the clamping action.



ADJUSTING THE TAILSTOCK

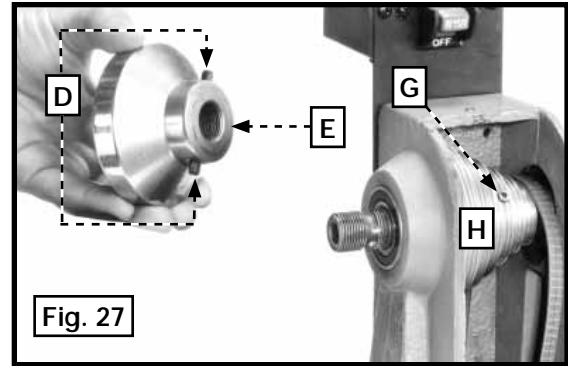
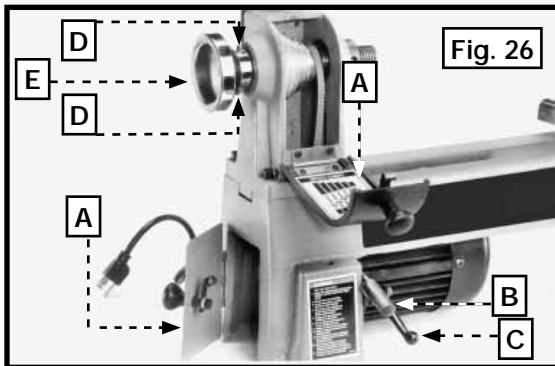
1. To slide the tailstock along the lathe bed, loosen the locking lever (A) Fig. 23. Slide the tailstock (B) into position, and tighten the lever (A). The clamping device for the tailstock was set prior to shipping. However, if the clamping action needs adjustment, remove the tailstock and tighten (or loosen) the nut (C) Fig. 24 on the bottom of the tailstock. Re-attach the tailstock to the lathe bed.
2. To move the ram (D) Fig. 25, in or out, loosen the locking lever (E) and turn the handwheel (F). Tighten the lever (E) after adjusting the ram (D).

NOTE: Total ram (D) travel ranges from 0" to 1-1/2".



REPLACING THE DRIVE BELT

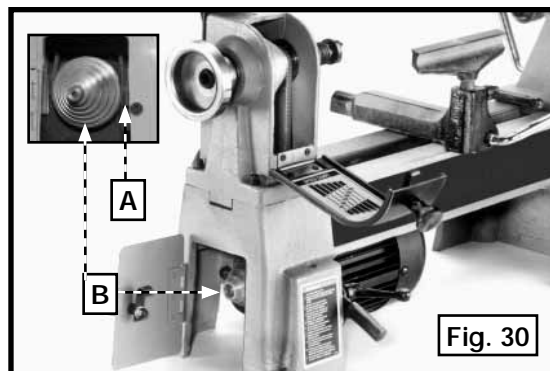
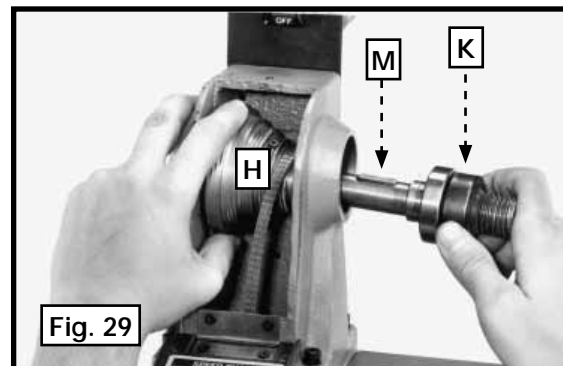
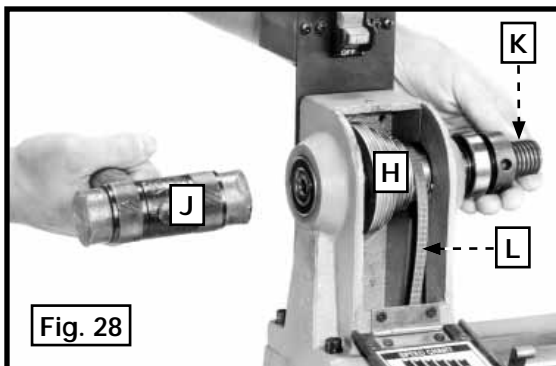
1. Open the two doors (A) Fig. 26.
2. Hold the handle (B) Fig. 26, and loosen the locking lever (C). Pull up on the handle (B) to remove tension on the drive belt and then tighten locking lever (C).
3. Loosen the two set screws (D) Figs. 26 and 27, and remove the handwheel (E).
4. Loosen the set screw (G) Fig. 27 on the spindle pulley (H).



5. Use a soft-tipped mallet (J) Fig. 28 to carefully tap the spindle shaft (K) thru the bearing. Tap it far enough to move the spindle shaft to the right to remove the spindle pulley (H), and spindle shaft (K), (Fig. 29).

IMPORTANT: Be careful not to drop the metal key (M) Fig. 29 into the hub of the spindle pulley (H).

6. Remove the drive belt (A) Fig. 30 from the motor pulley (B).
7. Replace the drive belt and the spindle assembly in reverse order. Apply proper tension to the drive belt. Refer to section "CHANGING SPINDLE SPEEDS".
8. **IMPORTANT:** When attaching the spindle and handwheel, tighten the the set screws in the spindle pulley against the flat surface of the spindle. Check the spindle pulley to see if it is aligned with the motor pulley. Adjust if necessary.

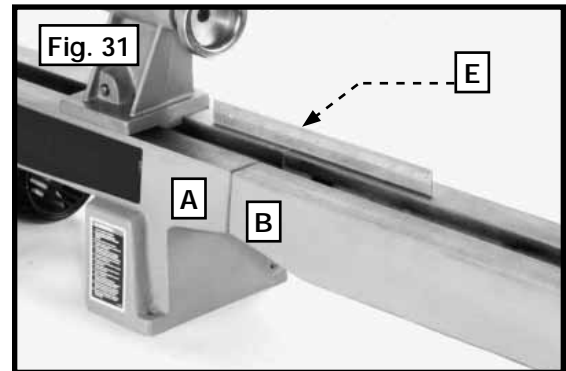
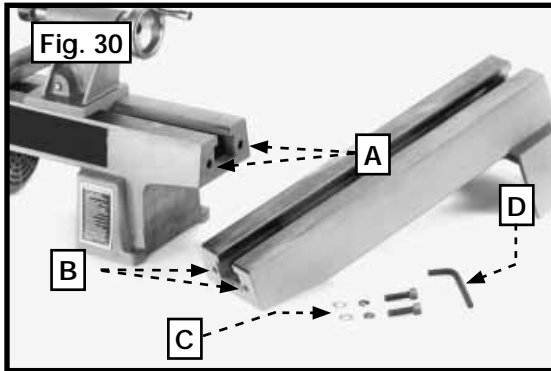


ATTACHING THE BED EXTENSION

⚠ WARNING Disconnect the machine from the power source!

The total bed length of the lathe (center to center) can be increased to 37" by purchasing and installing an accessory bed extension. To attach the bed extension to the lathe:

1. Align the two holes in the end of the lathe bed (A) Fig. 30 with the two holes (B) in the end of bed extension. Fasten the extension to the lathe bed with two M10 x 40 x 1-1/2" hex head screws, lockwashers, and flat washers (C) using the supplied wrench (D).
2. **IMPORTANT:** Before tightening the screws, use a straight edge (E) Fig. 31 to level the lathe bed (A) with the bed extension (B).



MACHINE USE

The following directions will give the inexperienced operator a beginning point for common lathe operations. Practice on scrap material before attempting serious work.

LATHE TOOLS

Standard wood turning tools come in several different configurations (Fig. A1). The majority of turnings will require the gouge tool (A) Fig. A1. Use this round-nosed hollow chisel for roughing cuts, cove cuts, and other operations. The skew chisel (B) is a double-ground flat chisel, with an angled end. Use this tool for smoothing cylinders, for cutting shoulders, beads, vee-grooves, etc. The parting tool (C) is a double-ground chisel, used for cutting-off, or for making straight incisions or sizing cuts to any required diameter. Use the round-nose scraper (D) for mostly hollowing work, and the square-end scraper for the outside of bowls.



Fig. A1

HOW TO TURN SPINDLES

Spindle turning is turning a workpiece attached to the lathe centers, and is used for chair and table legs, lamp stems, etc. You can use either a scraping or cutting technique for spindles. The cutting technique, by virtue of faster wood removal and a cleaner surface, is the preferred method.

CENTERING THE WORKPIECE

Wood stock for any spindle turning should be approximately square, and the ends should be square with the sides. Two common methods of determining the center are shown in Figs. A2 and A3. In Fig. A2, a distance a little more or a little less than one-half the width of the stock is set off from each of the four sides. The small square set off in the center can then be used in marking the true center. The diagonal method, Fig. A3, consists of drawing lines from corner to corner, with the intersection marking the center of the workpiece.



Fig. A2

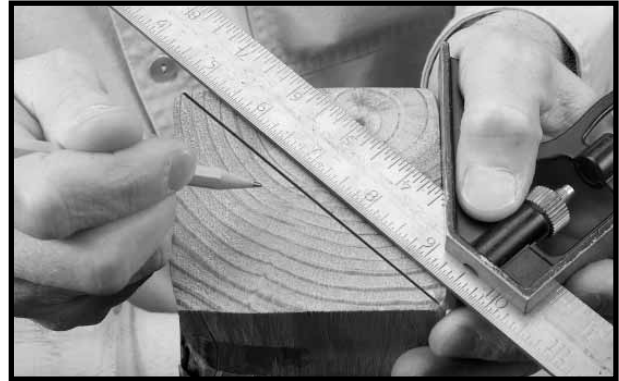


Fig. A3

After marking each end, mark the true center with a punch awl or dividers (Fig. A4). If the stock is hardwood, drill the centers to a depth of about $1/8$ ". Place the spur or live center against one end of the workpiece and strike it with a mallet to seat it (Fig. A5). In hardwood, make a starting seat for the spur center by sawing on the diagonal lines, and drilling a small hole at the intersection. After driving the center, hold the center and the workpiece together and fit both immediately to headstock spindle. If you are not using a ball-bearing center, oil the end of workpiece at the tailstock center. Place the lubricant on the wood either before or after it is put on the lathe. Many turners use beeswax, tallow, or a wax-and-oil mixture as a lubricant. A ball-bearing center is ideal because it eliminates lubricating. If you plan to remove the workpiece from the lathe before completion, make an index mark as a guide for re-centering (Fig. A6). A permanent indexer can be made by grinding off one corner of one of the spurs.

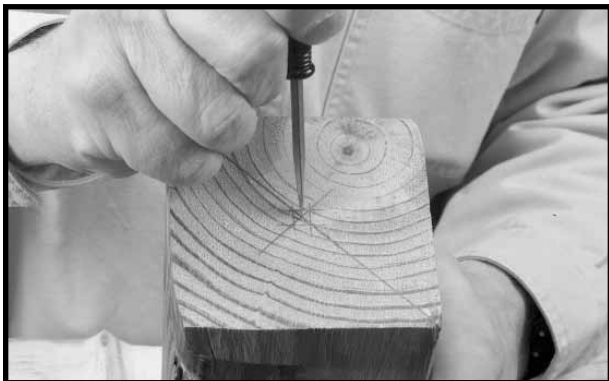


Fig. A4



Fig. A5

MOUNTING THE WORKPIECE

Mount the workpiece by moving the tailstock to a position about 1" or $1-1/2$ " from the end of the workpiece, and locking it in this position. Advance the tailstock center by turning the feed handle until the center cup makes contact with the workpiece. Do not support the workpiece on the center pin alone. Always have the rim of the center cup imbedded at least $1/8$ " into the workpiece. Continue to advance the center while slowly rotating the workpiece by hand. After the workpiece becomes difficult to turn, slack off on the feed about one-quarter turn and lock the tailstock spindle.



Fig. A6

TOOL REST POSITION

Mount the tool rest in place about 1/8" away from the work and 1/8" above the workpiece centerline (Fig. A7.) This position may be varied to suit the workpiece and the operator. Place a guide mark on the tool rest shank as an aid to quick and accurate resetting.

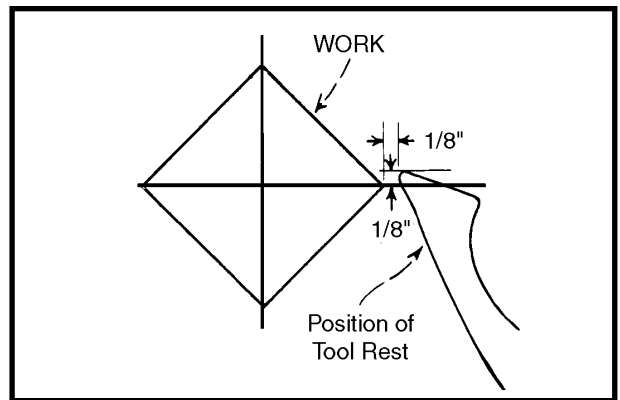


Fig. A7



Fig. A8



Fig. A9

ROUGHING A CYLINDER

Use the large gouge in the first turning operation to smooth the sharp corners of the workpiece. Run the lathe at low speed and hold the gouge in the manner shown in Fig. A8. Start the cut about 2" from the tailstock end and continue to the end of the tailstock. Make the second pass beginning about 2" or 3" to the left of the first cut. Advance again toward the tailstock, and merge with the previous cut. Toward the end of the live center, roll the gouge in the opposite direction (Fig. A9) to carry the final cut off the live center end of the workpiece. Do not make the roughing cut in one continuous movement. This action would tear long slivers from the corners of the workpiece. Neither should you start the cut directly at the end of the stock. You can safely carry the cut from the center of the stock toward and off either end once the first roughing cuts have been made.

The position of the gouge involves two or three important angles. (1) You can advance the tool along the workpiece either from right to left or from left to right. Left to right (from headstock to tailstock) is preferred since this action throws chips away from you. (2) Roll the gouge over slightly in the same direction as you advance the cut. (3) Hold the tool well up on the workpiece, with the bevel or grind tangent to the revolving surface (Fig. A10). This position will give a clean shearing cut. When pushed straight into the workpiece (Fig. A10), the gouge has a scraping action, (normally a poor practice in spindle turning). Continue the roughing cut until the workpiece approaches 1/8" of the required diameter. Once you have a cylindrical form, you can change your turning speed to the second or third speed setting.

NOTE: Continue to move the tool rest inward toward the workpiece to keep a safe distance between the two.

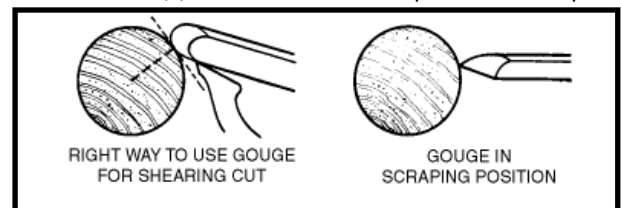


Fig. A10

POSITION OF THE HANDS

Hold the tool handle in a natural position. This hand position provides leverage for the tool by moving the chisel in or out. The position of the tool rest hand is a matter of individual preference, rather than a "set" or "proper" position. However, a palm-up grip (Fig. A11) is generally considered best. In this position, the first finger acts as a guide, sliding along the tool rest as you make the cut.



Fig. A11

The alternate position is a palm-down grip (Fig. A12). In this position, the heel of the hand or the little finger serves as a guide. The palm-down position is solid and positive – excellent for roughing or heavy cutting. Most beginners start with the palm-down grip, switching later to the palm-up position for better manipulation of the chisel.

SMOOTHING A CYLINDER

To smooth a cylinder, use a large skew chisel. This requires practice, but experience with this tool is very important. Place the cutting point near the center of chisel and high on the workpiece (Fig. A13). Sometimes, in striving for a certain position in relation to the workpiece, the beginner will often overlook this all-important point. Raising the handle will increase the depth of cut while lowering the handle does the opposite. As with the gouge, you can advance the skew in either direction. The center of the skew toward the heel does the actual cutting. The back portion of the grind or bevel supports the tool, while the handle hand controls the depth of cut by rocking the chisel on this pivot point. Because of this, keep the skew bevel perfectly flat.



Fig. A12



Fig. A13

USING THE PARTING TOOL

The parting tool is perhaps the easiest turning chisel to handle. Simply push this scraping tool into the workpiece (Fig. A14). You will achieve a better cutting action if you hold the handle low. In many cases, you can hold the tool with one hand while your other hand holds the calipers in the cutting groove. When parting tool cuts are deep, make a clearance cut alongside the first cut (Fig. A15) to prevent burning the tool point.



Fig. A14



Fig. A15

SQUARING AN END

You can use the parting tool to quickly square an end. The parting tool is a rough cutter, but you can smooth the cut with a skew. However, the whole operation can be done with the skew. In using the skew, make the first nicking cut with the toe of the skew (Fig. A16). A deep cut here could burn the chisel, so make a clearance cut by inclining the skew away from the first cut and pushing the tool into the workpiece. Continue this procedure of side cut and clearance cut as often as needed.

NOTE: While the skew can be pushed into the wood in any direction, you must incline the cutting edge a little away from this plane. If the full cutting edge of skew bears against the cut surface, the tool will have a tendency to run. See Fig. A17 for the proper way to make the cut. Push the chisel straight into the workpiece, and incline the cutting edge away from the cut surface. Use only the extreme end of the toe for this cut. You will use this method of skew handling repeatedly in making shoulders, beads and vee cuts.



Fig. A16

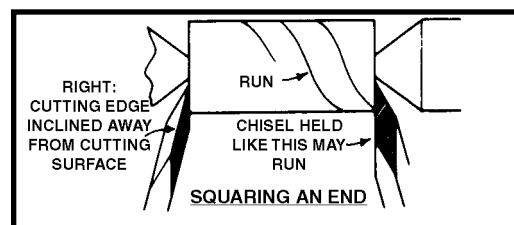


Fig. A17

CUTTING A SHOULDER

Use the parting tool first to reduce the wood to within 1/16" of the required shoulder diameter (Fig. A18). Clean the waste stock out with the gouge (Fig. A19), then use the skew (Fig. A20) for the actual cutting of the shoulder (a duplication of squaring an end). Use the skew to make the horizontal work, but in a different manner from plain cylinder work. If the shoulder is long, use the ordinary skew position for the outer portion of the cut. At the angle between the horizontal and vertical cuts, move the heel of the chisel into a position tangent between the skew and the cylinder (Fig. A21). Raise the handle of the chisel slightly to allow it to cut while the tool moves along the rest. Use a very light cut to produce a smooth workpiece. You can use the heel of the skew to make the entire cut, if desired, but, whether in this position or any other position, do not pick up the cut directly at the end of the stock. Horizontal cuts started directly from the end of the workpiece will have a tendency to bite into the wood, often ruining the entire piece. Always run off the end and not into it. Where a very short shoulder makes this impossible, use the skew in a flat scraping position. If the cutting technique is used, engage only with the heel of skew in a very light cut.



Fig. A18



Fig. A19



Fig. A20



Fig. A21

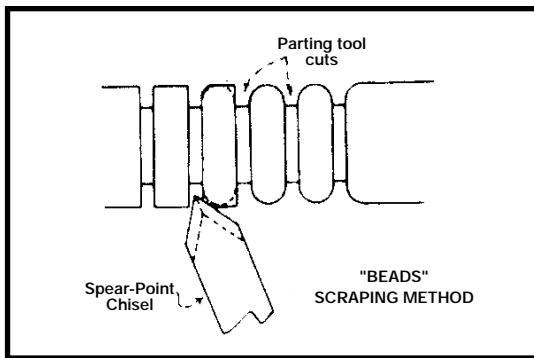


Fig. A22

CUTTING SMALL BEADS

Beads can be scraped or cut. The spear chisel provides the easiest method of scraping, and works well on beads separated by parting tool cuts (Fig. A22). Scraping is slower than cutting and is not as clean, but it has the advantage of protecting the workpiece from long gashes.

Cutting beads quickly and accurately with the small skew is one of the most difficult lathe operations. You can use various working methods. One method is a vertical incision at the point where the two curved surfaces will eventually come together. Make this cut with either the heel or the toe of the skew. (Fig. A23 shows the use of the toe). Place the skew at right angles to the workpiece. Place the chisel flat on its side at the start, and evenly rotate it through the successive stages of the cut (Figs. A24, A25, and A26). At the same time, pull the chisel slightly backward to maintain the cutting point. The entire cut is made with the heel of chisel. The opposite side of the bead is cut in the same manner, one cut serving to produce the full shape in each instance. This action produces beads that are beautifully smooth and polished, and the technique is well worth mastering.



Fig. A23



Fig. A24



Fig. A25



Fig. A26

VEE GROOVES

Cutting the vee groove demands much the same technique as the bead, except the skew is hinged straight into the workpiece without rotation (Fig. A27). Only one-half of the vee is made at a time, and one, two, or more cuts may be needed on each side to obtain the desired shape. As in all cutting with the skew, the bevel next to the cut must be used as a fulcrum. Be careful not to allow full edge of the chisel to catch and cause a run. You can also make Vee grooves with the toe of the skew, in the same manner as squaring an end.



Fig. A27



Fig. A28

LONG CUTS

Convex or straight-tapered surfaces usually require long cuts. With a convex surface, the method used in making the finishing cut is shown in Fig. A28. Turn the gouge on the tool rest so that it will be inclined toward the direction that it will move. The grind is tangent to the workpiece, and the center point of the cutting edge is the contact point with the wood. As the cut progresses toward and around the end of the curve, gradually raise the handle and swivel it to the right (Fig. A29) to maintain the tangency between the grind and the workpiece.



Fig. A29

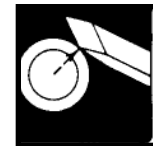


Fig. A30

Figs. A30 and A31 show the cutting of a long taper with a skew. The operation differs from smoothing a cylinder only at the start of the cut. Make the starting cut with the heel (Fig. A30) to prevent the tool from digging into the workpiece. As the tool moves down the workpiece, pull the chisel back to allow the center point of the cutting edge to cut. However, you can make the full taper with the heel. Be careful not to cut too deeply at the center of the taper. The direction of cutting is always downhill.



Fig. A31

COVE CUTS

Second to forming a perfect bead, the cove or concave cut is the most difficult to master. Make this cut with the gouge, where the size of the tool depends on the size of the cut. Push the gouge directly into the workpiece to remove the surplus stock (Fig. A32).



Fig. A32

Place the gouge on the edge of the tool rest so that the grind of the chisel forms an approximate right angle with the workpiece (Fig. A33). Allow the chisel to contact the workpiece at the center of the cutting edge. Hold the tool so that the centerline of the gouge is pointing directly toward the center of the revolving stock. This starting position is important to prevent the gouge from running along the surface of the workpiece.

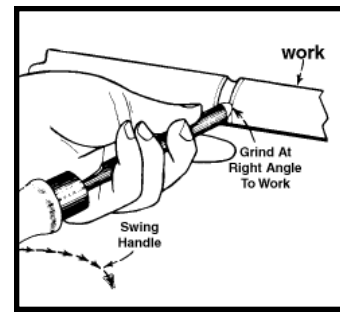


Fig. A33

From the starting position, push the gouge into the workpiece and roll the tool on the rest. A triple action takes place here. (1) Roll the chisel to follow the shape of the cut, (2) drop the handle slightly so that the portion already cut will force the lip of the chisel sideways and, (3) push the chisel forward so that at the end of the cut (Fig. A34), the chisel will be well up on the workpiece and tangent with the cut surface. Make only one-half of the cut at a time, then reverse the chisel to cut the other half. The occasional turner should make cove cuts with a scraping technique, using either the small gouge or round nose chisel.

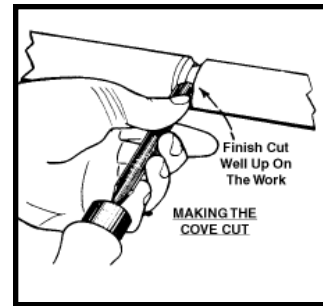


Fig. A34



Fig. A35



Fig. A36



Fig. A37



Fig. A38

FACEPLATE TURNING

Mount most turnings that cannot be worked between centers on a faceplate. Some jobs require special chucks. All cutting in faceplate work is done by scraping. Any attempt to use a cutting technique on the edge grain of large workpiece will result in a hogging, gouging cut which may jerk the chisel out of your hands. Use a band saw on all workpiece to roughly cut the turning area to eliminate heavy roughing cuts in turning.

MOUNTING THE WORKPIECE TO THE FACEPLATE

Fig. A39 shows direct mounting the workpiece to the 3" faceplate, along with attaching it to the backing block. Because of the ease of setting up, use this mounting whenever the work permits. Hold larger pieces in the same way by using the 6" faceplate. When normal screw-fastenings interfere, mount the workpiece on a backing block (Fig. A39). When screws are not permissible at all, glue the workpiece to the backing block by fitting a sheet of paper at the joint to allow later separation without damaging the wood. Some workpieces can be screwed or nailed from the face side into the backing block. Mount workpieces less than 3" in diameter on a single screw center (Fig. A40).

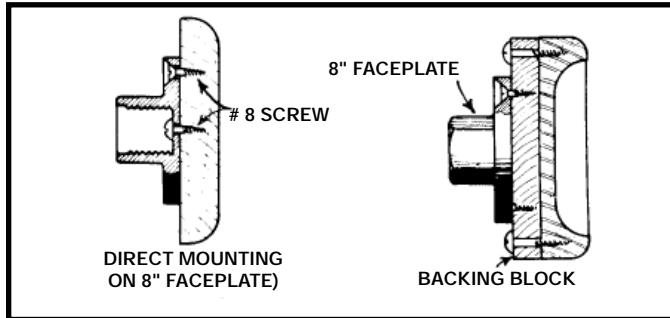


Fig. A39

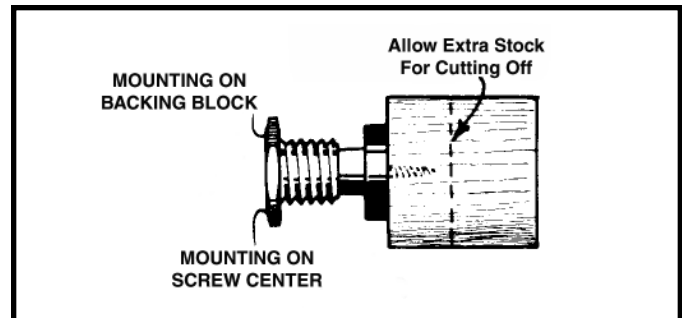


Fig. A40

TROUBLESHOOTING

For assistance with your machine, visit our website at www.deltamachinery.com for a list of service centers or call the DELTA Machinery help line at 1-800-223-7278 (In Canada call 1-800-463-3582).

MAINTENANCE

KEEP MACHINE CLEAN

Periodically blow out all air passages with dry compressed air. All plastic parts should be cleaned with a soft damp cloth. NEVER use solvents to clean plastic parts. They could possibly dissolve or otherwise damage the material.

⚠ WARNING: Wear certified safety equipment for eye, hearing and respiratory protection while using compressed air.

FAILURE TO START

Should your machine fail to start, check to make sure the prongs on the cord plug are making good contact in the outlet. Also, check for blown fuses or open circuit breakers in the line.

LUBRICATION & RUST PROTECTION

Apply household floor paste wax to the machine table, extension table or other work surface weekly. Or use a commercially available protective product designed for this purpose. Follow the manufacturer's instructions for use and safety.

To clean cast iron tables of rust, you will need the following materials: a sheet of medium Scotch-Brite™ Blending Hand Pad, a can of WD-40® and a can of degreaser. Apply the WD-40 and polish the table surface with the Scotch-Brite pad. Degrease the table, then apply the protective product as described above.

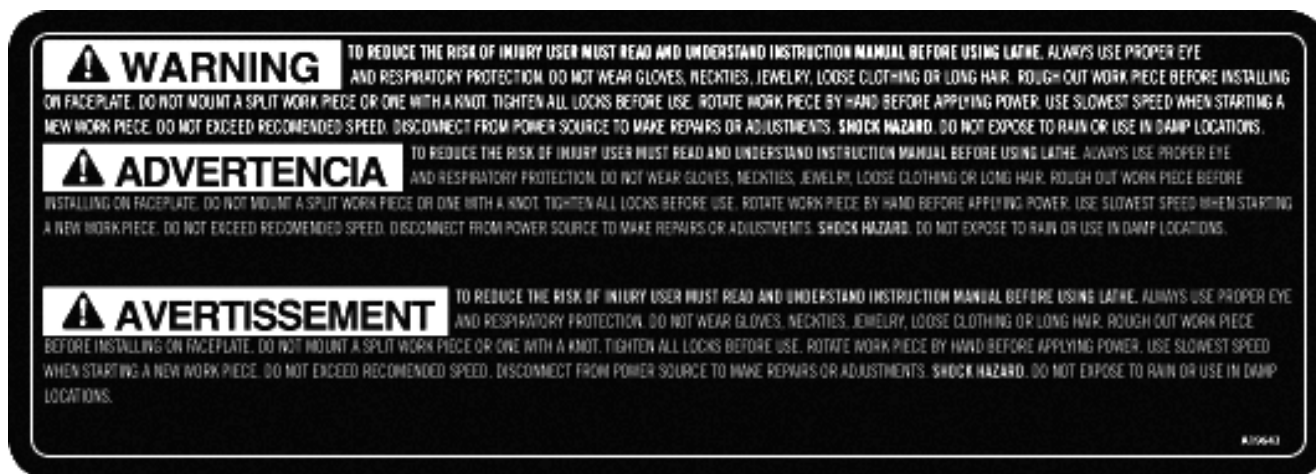
SERVICE

REPLACEMENT PARTS

Use only identical replacement parts. For a parts list or to order parts, visit our website at servicenet.deltamachinery.com. You can also order parts from your nearest factory-owned branch, or by calling our Customer Care Center at 1-800-223-7278 to receive personalized support from highly-trained technicians.

FREE WARNING LABEL REPLACEMENT

If your warning labels become illegible or are missing, call 1-800-223-7278 for a free replacement.



SERVICE AND REPAIRS

All quality tools will eventually require servicing and/or replacement of parts. For information about Delta Machinery, its factory-owned branches, or an Authorized Warranty Service Center, visit our website at www.deltamachinery.com or call our Customer Care Center at 1-800-223-7278. All repairs made by our service centers are fully guaranteed against defective material and workmanship. We cannot guarantee repairs made or attempted by others.

You can also write to us for information at Delta Machinery, 4825 Highway 45 North, Jackson, Tennessee 38305 - Attention: Product Service. Be sure to include all of the information shown on the nameplate of your tool (model number, type, serial number, etc.)

ACCESSORIES

A complete line of accessories is available from your Delta Supplier, Porter-Cable • Delta Factory Service Centers, and Delta Authorized Service Stations. Please visit our Web Site www.deltamachinery.com for a catalog or for the name of your nearest supplier.

▲ WARNING: Since accessories other than those offered by Delta have not been tested with this product, use of such accessories could be hazardous. For safest operation, only Delta recommended accessories should be used with this product.

WARRANTY

To register your tool for warranty service visit our website at www.deltamachinery.com.

Two Year Limited New Product Warranty

Delta will repair or replace, at its expense and at its option, any new Delta machine, machine part, or machine accessory which in normal use has proven to be defective in workmanship or material, provided that the customer returns the product prepaid to a Delta factory service center or authorized service station with proof of purchase of the product within two years and provides Delta with reasonable opportunity to verify the alleged defect by inspection. For all refurbished Delta product, the warranty period is 180 days. Delta may require that electric motors be returned prepaid to a motor manufacturer's authorized station for inspection and repair or replacement. Delta will not be responsible for any asserted defect which has resulted from normal wear, misuse, abuse or repair or alteration made or specifically authorized by anyone other than an authorized Delta service facility or representative. Under no circumstances will Delta be liable for incidental or consequential damages resulting from defective products. This warranty is Delta's sole warranty and sets forth the customer's exclusive remedy, with respect to defective products; all other warranties, express or implied, whether of merchantability, fitness for purpose, or otherwise, are expressly disclaimed by Delta.

LES INSTRUCTIONS IMPORTANTES DE SURETE

⚠ AVERTISSEMENT : Lire et comprendre toutes instructions d'avertissements et opération avant d'utiliser n'importe quel outil ou n'importe quel équipement. En utilisant les outils ou l'équipement, les précautions de sûreté fondamentales toujours devraient être suivies pour réduire le risque de blessure personnelle. L'opération déplacée, l'entretien ou la modification d'outils ou d'équipement ont pour résultat la blessure sérieux et les dommages de propriété. Il y a de certaines applications pour lequel outils et l'équipement sont conçus. La Delta Machinery recommande avec force que ce produit n'ait pas modifié et/ou utilisé pour l'application autrement que pour lequel il a été conçu.



Si vous avez n'importe quelles questions relatives à son application n'utilisent pas le produit jusqu'à ce que vous avez écrit Delta Machinery et nous vous avons conseillé. La forme en ligne de contact à www.deltamachinery.com
Courrier Postal: Technical Service Manager, Delta Machinery, 4825 Highway 45 North, Jackson, TN 38305. Dans Canada, 125 Mural St. Suite 300, Richmond Hill, ON, L4B 1M4.

Information en ce qui concerne l'opération sûre et correcte de cet outil est disponible des sources suivantes:

- Power Tool Institute, 1300 Sumner Avenue, Cleveland, OH 44115-2851 ou en ligne www.powertoolinstitute.org
- National Safety Council, 1121 Spring Lake Drive, Itasca, IL 60143-3201
- American National Standards Institute, 25 West 43rd Street, 4 floor, New York, NY 10036 www.ansi.org - ANSI 01.1 Safety Requirements for Woodworking Machines
- U.S. Department of Labor regulations www.osha.gov

MESURES DE SÉCURITÉ - DÉFINITIONS

Ce guide contient des renseignements importants que vous deviez bien saisir. Cette information porte sur **VOTRE SÉCURITÉ** et sur **LA PRÉVENTION DE PROBLÈMES D'ÉQUIPEMENT**. Afin de vous aider à identifier cette information, nous avons utilisé les symboles ci-dessous. Veuillez lire attentivement ce guide en portant une attention particulière à ces sections.

⚠ DANGER : Indique un danger imminent qui, s'il n'est pas évité, causera de graves blessures ou la mort.

⚠ AVERTISSEMENT : Indique la possibilité d'un danger qui, s'il n'est pas évité, pourrait causer de graves blessures ou la mort.

⚠ ATTENTION : Indique la possibilité d'un danger qui, s'il n'est pas évité, peut causer des dommages à la propriété.

ATTENTION : Sans le symbole d'alerte. Indique la possibilité d'un danger qui, s'il n'est pas évité, peut causer des dommages; mineures ou moyennes.

LA PROPOSITION DE CALIFORNIE 65

⚠ AVERTISSEMENT : La poussière produite par le ponçage électrique le sciage, le meulage, le perçage et autres activités de construction peut contenir des produits chimiques qui sont reconnus, par l'état de la Californie, de causer le cancer, les anomalies congénitales ou autres maux de reproduction. Ces produits chimiques comprennent, entre autres :

- le plomb provenant des peintures à base de plomb;
- la silice cristalline provenant de briques, de béton ou d'autres produits de maçonnerie
- l'arsenic et le chrome provenant du bois de charpente traité chimiquement

Le risque d'exposition à ces produits dépend de la fréquence d'exécution de ce genre de travaux. Afin de réduire l'exposition à ces produits chimiques, travaillez dans un endroit bien aéré et utilisez de l'équipement de sécurité approuvé, portez toujours un masque facial ou respirateur homologué MSHA/NIOSH bien ajusté lorsque vous utilisez de tels outils.

CONSERVEZ CES INSTRUCTIONS!

RÈGLES DE SÉCURITÉ GÉNÉRALES

▲ AVERTISSEMENT L'inobservation de ces règles peut conduire à des blessures graves.

- 1. POUR SA SÉCURITÉ PERSONNELLE, LIRE LA NOTICE D'UTILISATION, AVANT DE METTRE LA MACHINE EN MARCHÉ,** et pour aussi apprendre l'application et les limites de la machine ainsi que les risques qui lui sont particuliers ainsi, les possibilités d'accident et de blessures seront beaucoup réduites.
- 2. PORTEZ DES DISPOSITIFS DE PROTECTION DES YEUX ET DE L'OUÏE. UTILISEZ TOUJOURS DES LUNETTES DE SÉCURITÉ.** Des lunettes ordinaires ne constituent PAS des lunettes de sécurité. **UTILISEZ DES ÉQUIPEMENTS DE SÛRETÉ HOMOLOGUÉS.** Les dispositifs de protection des yeux doivent être conformes aux normes ANSI Z87.1. Les dispositifs de protection de l'ouïe doivent être conformes aux normes ANSI S3.19.
- 3. PORTER UNE TENUE APPROPRIÉE.** Pas de cravates, de gants, ni de vêtements amples. Enlever montre, bagues et autres bijoux. Rouler les manches. Les vêtements ou les bijoux qui se trouvent pris dans les pièces mobiles peuvent entraîner des blessures.
- 4. NE PAS UTILISER LA MACHINE DANS UN ENVIRONNEMENT DANGEREUX.** L'utilisation d'outils électriques dans des endroits humides ou sous la pluie peut entraîner des décharges électriques ou une électrocution. Garder la zone de travail bien éclairée pour éviter de trébucher ou d'exposer les doigts, les mains ou les bras à une situation dangereuse.
- 5. GARDER LES OUTILS ET LES MACHINES EN PARFAIT ÉTAT.** Garder les outils affûtés et propres afin d'obtenir le meilleur et le plus sûr rendement. Suivre les instructions pour lubrifier et changer les accessoires. Les outils et les machines mal entretenus peuvent se dégrader davantage, et/ou entraîner des blessures.
- 6. INSPECTER LES PIÈCES POUR DÉCELER TOUT DOMMAGE.** Avant d'utiliser la machine, la vérifier pour voir s'il n'y a pas de pièces endommagées. Vérifier l'alignement des pièces mobiles et si ces pièces ne se coincent pas, la rupture de pièces, ou toute autre condition pouvant en affecter le fonctionnement. Toute pièce ou protecteur endommagé doit être réparé ou remplacé. Les pièces endommagées peuvent dégrader davantage la machine et/ou entraîner des blessures.
- 7. GARDER L'AIRE DE TRAVAIL PROPRE.** Les zones et établis encombrés favorisent les accidents.
- 8. GARDER LES ENFANTS ET LES VISITEURS À DISTANCE.** L'atelier est un lieu potentiellement dangereux. Les enfants et les visiteurs peuvent se blesser.
- 9. ÉVITER LE DÉMARRAGE ACCIDENTEL.** S'assurer que l'interrupteur est sur « OFF » (ARRÊT) avant de brancher le cordon. En cas de coupure de courant, placer l'interrupteur à la position « OFF » (ARRÊT). Un démarrage accidentel peut entraîner des blessures.
- 10. UTILISER LES DISPOSITIFS PROTECTEURS.** Vérifier que tous les dispositifs protecteurs sont bien en place, bien fixés et en bon état de marche pour éviter les blessures.
- 11. ENLEVER LES CLÉS DE RÉGLAGE ET CELLES DE SERRAGE AVANT DE METTRE LA MACHINE EN MARCHÉ.** Les outils, les chutes et les autres débris peuvent être projetés violemment et blesser.
- 12. UTILISER LA BONNE MACHINE.** Ne pas forcer la machine ou l'accessoire à faire un travail pour lequel il n'a pas été conçu. Des dommages à la machine et/ou des blessures pourraient s'ensuivre.
- 13. UTILISER LES ACCESSOIRES RECOMMANDÉS.** L'utilisation d'accessoires non recommandés par Delta peut endommager la machine et blesser l'utilisateur.
- 14. UTILISER LE CORDON PROLONGATEUR APPROPRIÉ.** S'assurer que le cordon prolongateur est en bon état. Lorsqu'un cordon prolongateur est utilisé, s'assurer que celui-ci est d'un calibre suffisant pour l'alimentation nécessaire à la machine. Un cordon d'un calibre insuffisant entraînera une perte de tension d'où une perte de puissance et surchauffe. Voir le tableau sur les cordons prolongateurs pour obtenir le calibre approprié selon la longueur du cordon et l'ampérage de la machine. S'il y a un doute, utiliser un cordon d'un calibre supérieur. Plus le chiffre est petit, plus le fil est gros.
- 15. FIXER LA PIÈCE.** Utilisez les brides ou l'étau quand vous ne pouvez pas fixer l'objet sur la table et contre la barrière à la main ou quand votre main sera dangereusement près de la lame (à moins de 6").
- 16. AVANCER LA PIÈCE DANS LE SENS CONTRAIRE À LA ROTATION DE LA LAME, DE LA FRAISE OU DE LA SURFACE ABRASIVE.** L'alimentation dans l'autre sens peut entraîner une projection violente de la pièce.
- 17. NE PAS FORCER LA MACHINE EN AVANÇANT LA PIÈCE TROP VITE.** Des dommages et/ou des blessures peuvent s'ensuivre.
- 18. NE PAS SE PENCHER AU-DESSUS DE LA MACHINE.** Une perte de l'équilibre peut entraîner une chute sur la machine en marche et causer des blessures.
- 19. NE JAMAIS MONTER SUR LA MACHINE.** On peut se blesser gravement si la machine bascule ou si l'on touche accidentellement son outil tranchant.
- 20. NE JAMAIS LAISSER LA MACHINE EN MARCHÉ SANS SURVEILLANCE. COUPER LE COURANT.** Ne pas quitter la machine tant qu'elle n'est pas complètement arrêtée. Un enfant ou un visiteur pourrait se blesser.
- 21. METTRE LA MACHINE À L'ARRÊT « OFF » ET LA DÉBRANCHER** avant d'installer ou d'enlever des accessoires, d'ajuster ou de changer des montages, ou lors des réparations. Un démarrage accidentel peut entraîner des blessures.
- 22. METTRE L'ATELIER À L'ABRI DES ENFANTS AU MOYEN DE CADENAS, D'INTERRUPTEURS PRINCIPAUX OU EN ENLEVANT LES BOUTONS DES DISPOSITIFS DE MISE EN MARCHÉ.** Le démarrage accidentel de la machine par un enfant ou un visiteur peut entraîner des blessures.
- 23. RESTER VIGILANT, ATTENTIF, ET FAIRE PREUVE DE BON SENS. NE PAS UTILISER LA MACHINE LORSQUE L'ON EST FATIGUÉ OU SOUS L'INFLUENCE DE DROGUES, D'ALCOOL OU DE MÉDICAMENTS.** Un instant d'inattention lors de l'utilisation d'outils électriques peut entraîner des blessures graves.
- 24. ▲ AVERTISSEMENT L'UTILISATION DE CET OUTIL PEUT PRODUIRE ET DISPERSER DE LA POUSSIÈRE OU D'AUTRES PARTICULES EN SUSPENSION DANS L'AIR, TELLES QUE LA SCIURE DE BOIS, LA POUSSIÈRE DE SILICIUM CRISTALLIN ET LA POUSSIÈRE D'AMIANTE.** Dirigez les particules loin du visage et du corps. Faites toujours fonctionner l'outil dans un espace bien ventilé et prévoyez l'évacuation de la poussière. Utilisez un système de dépoussiérage chaque fois que possible. L'exposition à la poussière peut causer des problèmes de santé graves et permanents, respiratoires ou autres, tels que la silicose (une maladie pulmonaire grave) et le cancer, et même le décès de la personne affectée. Évitez de respirer de la poussière et de rester en contact prolongé avec celle-ci. En laissant la poussière pénétrer dans vos yeux ou votre bouche, ou en la laissant reposer sur votre peau, vous risquez de promouvoir l'absorption de substances toxiques. Portez toujours des dispositifs de protection respiratoire homologués par NIOSH/OSHA, appropriés à l'exposition à la poussière et de taille appropriée, et lavez à l'eau et au savon les surfaces de votre corps qui ont été exposées.

RÈGLES SPÉCIFIQUES ADDITIONNELLES DE SÛRETÉ

⚠ AVERTISSEMENT L'inobservation de ces règles peut conduire à des blessures graves.

1. **NE PAS FAIRE FONCTIONNER CETTE MACHINE AVANT QU'**elle ne soit assemblée et installée conformément à ces directives.
2. **DEMANDER CONSEIL** à un superviseur, instructeur, ou toute autre personne qualifiée si vous ne maîtrisez pas parfaitement l'utilisation de cette machine.
3. **SUIVRE TOUS LES CODES DE CÂBLAGE** et les connexions électriques recommandées.
4. **DÉGROSSIR LA PIÈCE** pour lui donner la forme la plus proche de la forme finale avant de la placer sur le plateau de montage.
5. **VÉRIFIER QUE LA PIÈCE NE PRÉSENTE PAS DE DÉFAUT** et tester les joints de colle avant de monter la pièce sur la machine. **NE PAS** monter une pièce fendue ou présentant un nœud.
6. **FIXER FERMEMENT LA PIÈCE** au plateau de montage avant le tournage sur plateau. Utiliser un plateau de montage de dimension appropriée pour soutenir la pièce. Les attaches à vis ne doivent pas gêner l'outil de tournage aux dimensions finales de la pièce.
7. **NE JAMAIS DIRIGER LA PIÈCE** vers la pointe d'entraînement tant que cette dernière est dans la poupée fixe. Insérer la pointe d'entraînement dans la pièce à l'aide d'un maillet avant de l'installer sur la poupée fixe.
8. **AJUSTER ET BLOQUER LA CONTREPOINTE** contre la pièce. Lubrifier la contrepointe si elle ne présente pas de roulement à billes.
9. **AJUSTER CORRECTEMENT LA HAUTEUR DU PORTE-OUTIL.**
10. **AJUSTER LE PORTE-OUTIL** de façon à ce qu'il soit aussi près que possible de la pièce.
11. **SERRER TOUTES LES POIGNÉES DE VERROUILLAGE DES FIXATIONS** avant d'utiliser l'outil.
12. **TOURNER LA PIÈCE MANUELLEMENT** pour vérifier le dégagement avant de mettre la machine sous tension.
13. **S'ASSURER QU'AUCUN OBJET NE SE TROUVE SUR LE BANC DU TOUR** (outils, chutes de bois, etc.) avant de mettre la machine sous tension.
14. **VÉRIFIER LE RÉGLAGE SOIGNEUSEMENT** avant de mettre la machine sous tension.
15. **SE TENIR SUFFISAMMENT À L'ÉCART ET ÉLOIGNER LES CURIUEUX** de la trajectoire de rotation de la pièce afin d'éviter toute blessure due à la projection de débris.
16. **UTILISER LA VITESSE LA PLUS FAIBLE** lorsque vous commencez à travailler sur une nouvelle pièce. **NE JAMAIS DÉPASSER** les vitesses recommandées.
17. **NE JAMAIS AJUSTER LE PORTE-OUTIL** alors que la pièce tourne.
18. **NE JAMAIS DESSERRER LE FOURREAU** ou la poupée mobile alors que la pièce tourne.
19. **ENGAGER LENTEMENT L'OUTIL DE COUPE DANS LA PIÈCE**, et couper de petites quantités pour le grossissage.
20. **ÔTER LE PORTE-OUTIL** avant le ponçage ou le polissage.
21. **NE JAMAIS EFFECTUER D'OPÉRATIONS DE TRAÇAGE**, d'assemblage, ou de réglage sur la table/l'espace de travail lorsque la machine est en marche.
22. **ÉTEINDRE LA MACHINE ET LA DÉBRANCHER** de la source d'alimentation avant d'ajouter ou d'enlever des accessoires, avant d'ajuster ou de modifier les réglages, ou lors d'une réparation.
23. **ÉTEINDRE LA MACHINE**, la débrancher, et nettoyer la table/l'espace de travail avant de quitter la machine. **AFIN D'ÉVITER TOUTE UTILISATION NON AUTORISÉE**, verrouiller l'interrupteur en position ARRÊT.
24. **DES INFORMATIONS SUPPLÉMENTAIRES** (c.-à-d., une vidéo sur la sécurité), indiquant comment utiliser des outils électriques correctement et en toute sécurité, sont disponibles auprès du Power Tool Institute, 1300 Sumner Avenue, Cleveland, OH 44115-2851, États-Unis (www.powertoolinstitute.com). Des renseignements sont également disponibles auprès du National Safety Council, 1121 Spring Lake Drive, Itasca, IL 60143-3201 É.-U. Se reporter à la norme ANSI 01.1 de l'American National Standards Institute concernant les machines de travail du bois, ainsi que la réglementation OSHA 1910.213 du département américain du travail.

CONSERVER CES DIRECTIVES.

Les consulter souvent et les utiliser pour donner des directives aux autres.

RACCORDEMENTS ÉLECTRIQUES

Un circuit électrique séparé doit être utilisé pour les machines. Les fils de ce circuit doivent être au moins de calibre 12. Ce circuit doit être protégé par un fusible temporisé de 20 A. Si on utilise un cordon prolongateur, ce cordon doit être à trois fils, avoir une fiche à trois broches et une prise de courant à trois cavités, mise à la terre qui correspond à la fiche de la machine. Avant debrancher la machine, s'assurer que l'interrupteur (les interrupteurs) se trouve(nt) en position « OFF » (ARRÊT) et que le courant électrique présente les mêmes caractéristiques que celles qui sont inscrites sur la machine. Toutes les connexions électriques doivent établir un bon contact. Le fonctionnement sur une basse tension endommagera la machine.

⚠ DANGER Ne pas exposer la machine à la pluie, et ne pas l'utiliser dans des endroits humides.

SPÉCIFICATIONS DU MOTEUR

Cette machine est câblée pour un fonctionnement sur un courant alternatif de 120 volts 60 Hz. Avant de brancher la machine, s'assurer que l'interrupteur se trouve à la position « OFF » (ARRÊT).

INSTRUCTIONS DE MISE À LA TERRE

⚠ DANGER Cette machine doit être mise à la terre pendant son emploi, afin de protéger l'utilisateur des décharges électriques.

1. **Toutes les machines avec cordon mis à la terre:** Dans l'éventualité d'un mauvais fonctionnement ou d'une panne, la mise à la terre fournit un trajet de moindre résistance permettant de réduire le risque de décharge électrique. Cette machine est dotée d'un cordon électrique possédant un conducteur de mise à la terre de l'équipement ainsi que d'une fiche mise à la terre. La fiche doit être branchée dans une prise de courant correspondante, installée de façon adéquate et mise à la terre conformément à tous les codes et règlements locaux.

Ne pas modifier la fiche fournie - si elle ne s'adapte pas à la prise de courant, il faut faire installer une prise de courant convenable par un électricien compétent.

Un mauvais raccordement du conducteur de mise à la terre de l'équipement peut entraîner un risque de décharge électrique. Le conducteur possédant un isolant avec surface extérieure de couleur verte, avec ou sans rayures jaunes, est le conducteur de mise à la terre de l'équipement. Si une réparation ou un remplacement du cordon électrique s'avère nécessaire, ne pas brancher le conducteur de mise à la terre de l'équipement à une borne sous tension.

Consulter un électricien compétent ou le personnel de service après-vente si on ne comprend pas entièrement les instructions de mise à la terre, ou si l'on doute que la machine soit correctement mise à la terre.

Utiliser seulement des cordons prolongateurs à trois fils dotés d'une fiche mise à la terre, à trois broches, et de prises à trois cavités convenant à la fiche de la machine, comme l'illustre la figure A.

Réparer ou remplacer sans délai tout cordon endommagé ou usé.

2. **Machines avec cordon mis à la terre prévues pour une utilisation sur une alimentation nominale inférieure à 150 volts :** Si cette machine est prévue pour être utilisée sur un circuit qui comporte une prise semblable à celle illustrée à la figure A, la machine devra comporter une fiche mise à la terre semblable à celle illustrée à la figure A. Un adaptateur temporaire semblable à celui illustré à la figure B, peut être utilisé pour raccorder cette fiche à une prise à deux cavités comme celle illustrée à la figure B, si une prise correctement mise à la terre n'est pas disponible. L'adaptateur temporaire ne doit être utilisé que jusqu'au moment où une prise correctement mise à la terre est installée par un électricien compétent. L'oreiller rigide ou autre dispositif semblable de couleur verte, sur le dessus de l'adaptateur, doit être connecté sur une mise à la terre permanente comme, par exemple une boîte à prises correctement mise à la terre. Quand un adaptateur est utilisé, celui-ci doit être retenu en place par une vis en métal.

REMARQUE: Au Canada, le Code canadien de l'électricité ne permet pas l'emploi d'un adaptateur temporaire.

⚠ DANGER Dans tous les cas, s'assurer que la prise en question est bien mise à la terre. Dans le doute, demander à un électricien compétent de vérifier la prise.

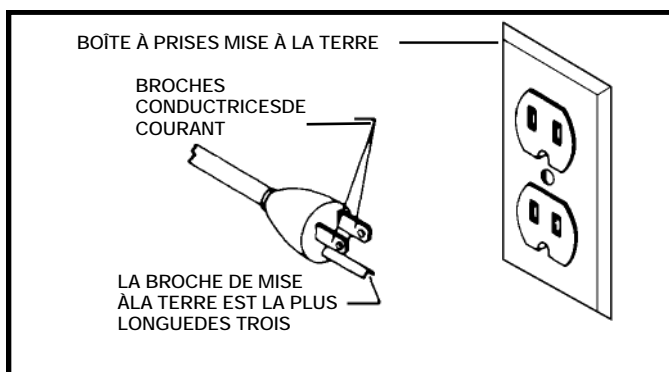


Fig. A

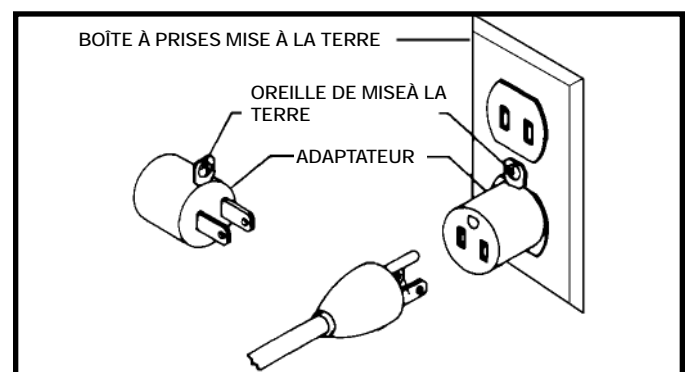


Fig. B

CORDON DE RALLONGE

⚠ AVERTISSEMENT Employez les cordes appropriées de prolongation. S'assurent votre corde de prolongation est en bon état. En utilisant une corde de prolongation, soyez sûr d'employer un assez lourd pour porter le courant de la machine. Une corde trop petite causera une baisse dans la tension secteur, ayant pour résultat la perte de puissance et de surchauffe. Fig. D-1 expositions la mesure correcte à employer selon la longueur de corde. En cas de doute, utilisez la prochaine mesure plus lourde. Plus le nombre de mesure est petit, plus la corde est lourde.

MESUR MINIMUM DE CORDE D'EXTENSION			
TAILLES RECOMMANDÉES POUR L'USAGE AVEC STATIONNAIRES ÉLECTRIQUES LES OUTILS			
Estimation pere	Volts	Longueur Totale De Corde En Pieds	Mesure De Corde D'Am D'Extension
0-6	120	up to 25	18 AWG
0-6	120	25-50	16 AWG
0-6	120	50-100	16 AWG
0-6	120	100-150	14 AWG
6-10	120	up to 25	18 AWG
6-10	120	25-50	16 AWG
6-10	120	50-100	14 AWG
6-10	120	100-150	12 AWG
10-12	120	up to 25	16 AWG
10-12	120	25-50	16 AWG
10-12	120	50-100	14 AWG
10-12	120	100-150	12 AWG
12-16	120	up to 25	14 AWG
12-16	120	25-50	12 AWG
12-16	120	50 PI PLUS GRANDS QUE NON RECOMMANDES	

Fig. D-1

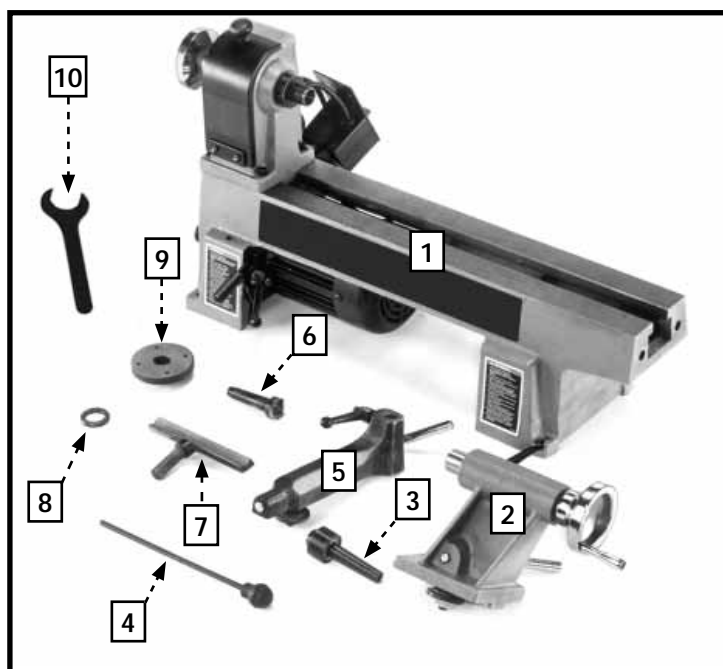
DESCRIPTION FONCTIONNELLE

AVANT-PROPOS

Le modèle Delta LA200 est un tour à bois compact et stable doté d'un puissant moteur de 1/2 hp, 1 725 tr/min. Ce tour permet le tournage de pièces jusqu'à 25,4 cm (10 po) de diamètre au-dessus du banc et 15,2 cm (6 po) de diamètre au-dessus de la base du porte-outil, avec une distance maximum entre les centres de 94 cm (37 po) avec l'extension de banc en option.

REMARQUE : La photo de la couverture du mode d'emploi illustre le modèle de production actuel. Les autres illustrations de ce mode d'emploi ne sont présentes qu'à titre indicatif et il est possible que les étiquettes et accessoires actuels diffèrent des caractéristiques réelles de ce modèle. Ces illustrations ont uniquement pour but d'illustrer la technique.

CARTON CONTENTS



1. Tour
2. Poupée mobile
3. Pointe d'entraînement
4. Barre d'éjection
5. Base du porte-outil
6. Pointe à griffe
7. Porte-outil
8. Cale
9. Plateau de montage
10. Clé à écrous

DÉSEMBALLAGE ET NETTOYAGE

Désemballer soigneusement la machine et toutes les pièces de ou des emballage(s) d'expédition. Retirer l'huile anticorrosion des surfaces non peintes à l'aide d'un chiffon doux humidifié avec de l'alcool, du diluant à peinture ou de l'alcool dénaturé.

⚠ ATTENTION N'utiliser pas de solvants hautement volatils tel l'essence, le naphte, l'acétone ou du diluant à laque pour nettoyer.

Après nettoyage, couvrir les surfaces non peintes d'une cire à parquets d'usage domestique de bonne qualité.

ASSEMBLAGE

⚠ AVERTISSEMENT Pour votre propre sûreté, ne reliez pas la machine à la source d'énergie jusqu'à ce que la machine soit complètement assemblée et vous lisez et comprenez le manuel d'instruction entier.

OUTILS NÉCESSAIRES POUR L'ASSEMBLEE

Clé à fourche (fournie)

Tournevis à tête cruciforme (non fourni)

L'ESTIMATION DE TEMPS D'ASSEMBLEE

L'assemblée pour cette machine prend approximativement 30 minutes.

ASSEMBLAGE DE L'INTERRUPTEUR MARCHÉ/ARRÊT

Pour éviter que l'interrupteur MARCHÉ/ARRÊT ne soit endommagé, le support de l'interrupteur n'est pas fixé sur le tour à la livraison. Assembler le support de l'interrupteur en position verticale. Aligner les deux trous du support de l'interrupteur (A) fig. 1 avec les deux trous (B) situés à l'arrière de la poupée fixe (C). Fixer le support de l'interrupteur (A) à la machine à l'aide de deux vis à tête cylindrique à dépouille (D) et deux rondelles de blocage (fig. 2).

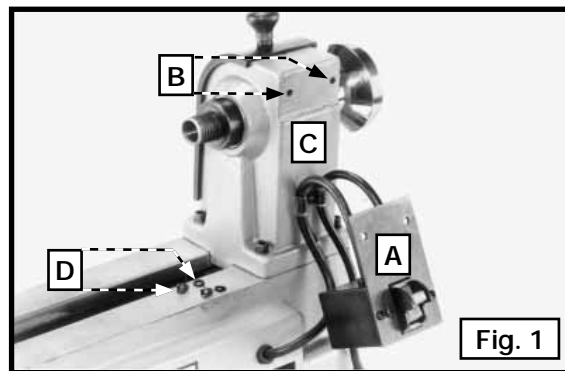


Fig. 1

FIXATION DU PORTE-OUTIL SUR LE BANC DU TOUR

1. Desserrer le levier de blocage (A) fig. 3. Glisser la base du porte-outil (B) dans la glissière du banc du tour (C) fig. 4.

REMARQUE : Si la base du porte-outil ne glisse pas facilement dans la glissière du banc du tour, retourner la base du porte-outil et desserrer l'écrou de verrouillage (D) fig. 3. Serrer fermement le levier de blocage (A) fig. 4.

2. **IMPORTANT :** Si l'effet de serrage de la base du porte-outil (B) fig. 4 est trop fort ou trop faible sur le banc du tour, ôter la base et tourner l'écrou (D) fig. 4 dans le sens des aiguilles d'une montre pour augmenter l'effet de serrage, ou dans le sens inverse des aiguilles d'une montre pour le réduire. Fixer la base du porte-outil sur le banc du tour.

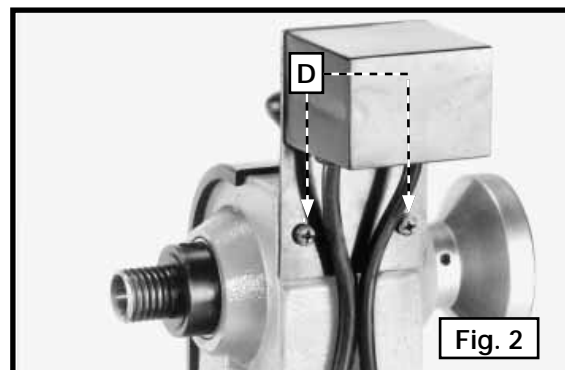


Fig. 2

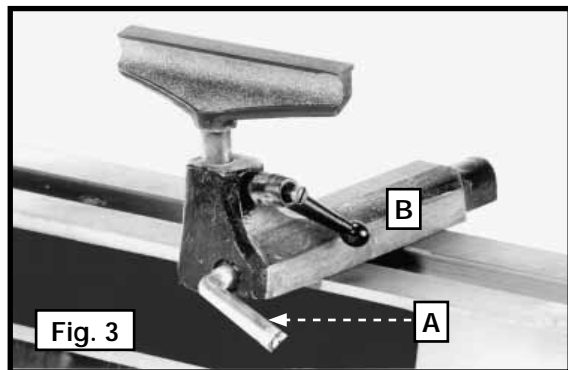


Fig. 3

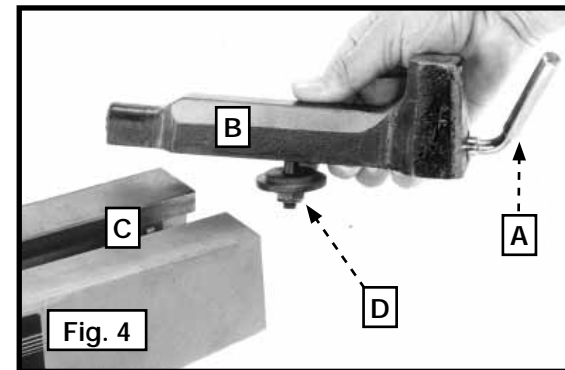
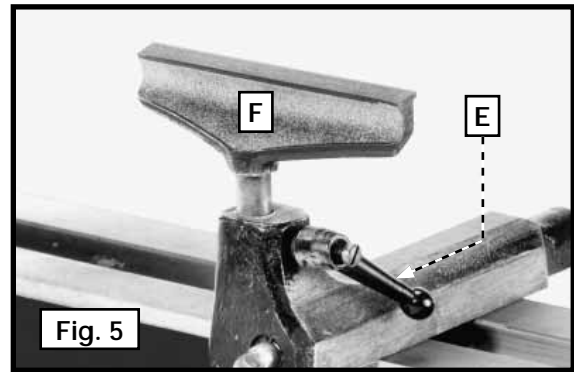


Fig. 4

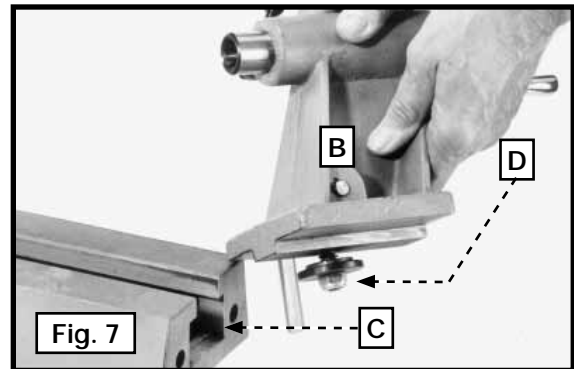
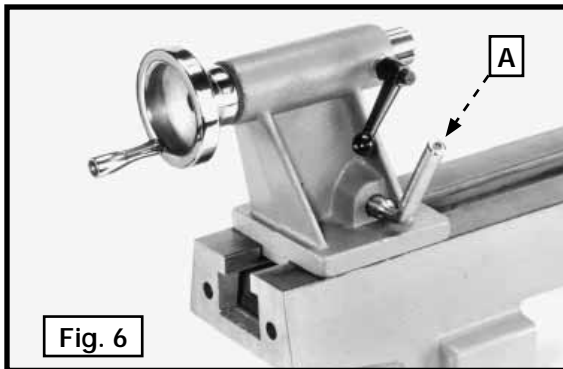
- Desserrer le levier de blocage (E) fig.5, et insérer le porte-outil (F) dans la base du porte-outil.

REMARQUE : Pour régler la hauteur du porte-outil, desserrer le levier de blocage (E). Une fois le réglage effectué, serrer le levier de blocage.



FIXATION DE LA POUPÉE MOBILE SUR LE BANC DU TOUR

- Desserrer le levier de blocage (A) fig. 6, et glisser la poupée mobile (B) fig. 7 dans la glissière (C) du banc du tour.
- IMPORTANT :** Si l'effet de serrage de la poupée mobile (B) fig. 7 est trop fort ou trop faible sur le banc du tour, ôter la poupée mobile et tourner l'écrou (D) fig. 7 dans le sens des aiguilles d'une montre pour augmenter l'effet de serrage, ou dans le sens inverse des aiguilles d'une montre pour le réduire. Fixer la poupée mobile sur le banc du tour et serrer le levier de blocage (A) fig. 6.



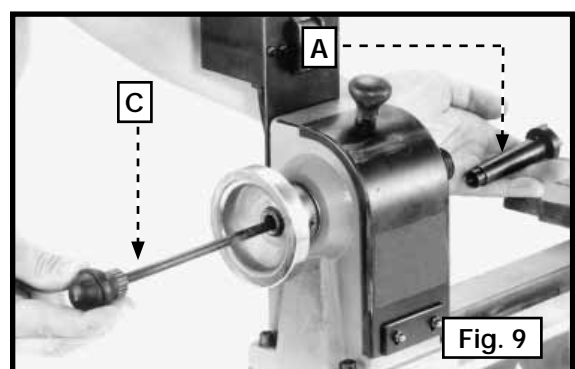
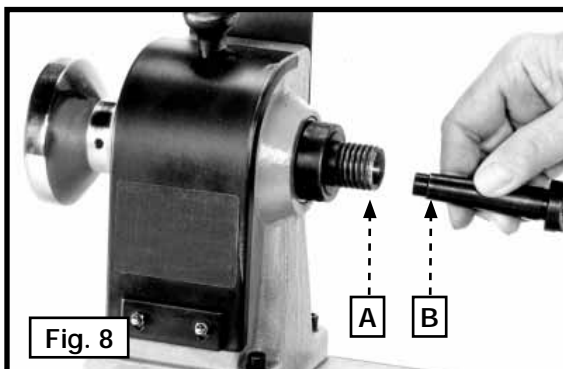
FIXATION DE LA POINTE À GRIFFE DE LA POUPÉE FIXE SUR LE TOUR

- La pointe à griffe fournie (A) fig. 8 est dotée d'une tige avec emmanchement conique Morse n° 2 (B). Elle s'insère parfaitement dans le fourreau.

REMARQUE : Avant de l'insérer, nettoyer la tige et le fourreau afin d'enlever toute trace de graisse ou débris.

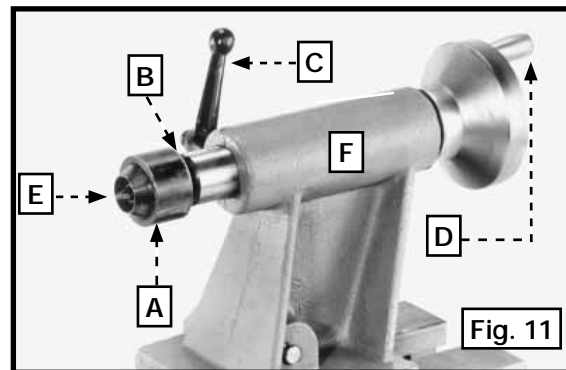
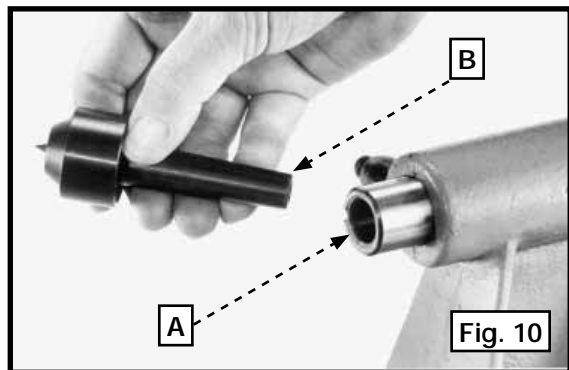
- Faire glisser la barre d'éjection (C) fig. 9 dans le trou situé à l'opposé du fourreau pour ôter la pointe à griffe (A).

⚠ ATTENTION Attention aux pointes de la pointe à griffe.



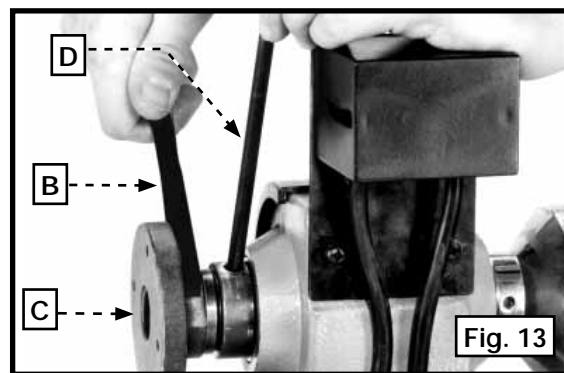
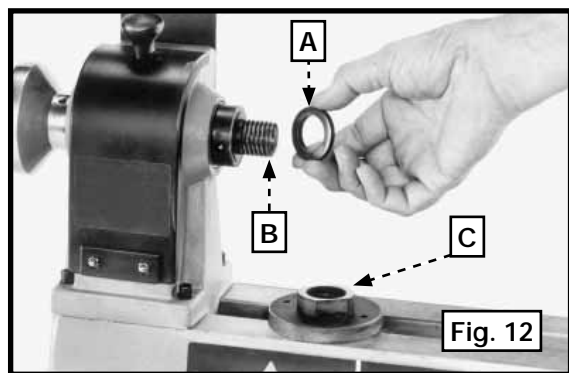
FIXATION DE LA POINTE D'ENTRAÎNEMENT SUR LA POUPÉE FIXE

La pointe d'entraînement de poupée fixe fournie (A) fig. 10 est dotée d'une tige avec emmanchement conique Morse n° 2 (B). Cette pointe est insérée dans le fourreau. Pour ôter la pointe d'entraînement (A) fig. 11 du fourreau, desserrer la poignée de verrouillage (C) et faire tourner le volant (D) pour pousser la pointe d'entraînement (A) vers l'extérieur du fourreau (B). Faire glisser la barre d'éjection dans le creux de la poupée mobile (F) pour ôter la pointe de centrage (E).



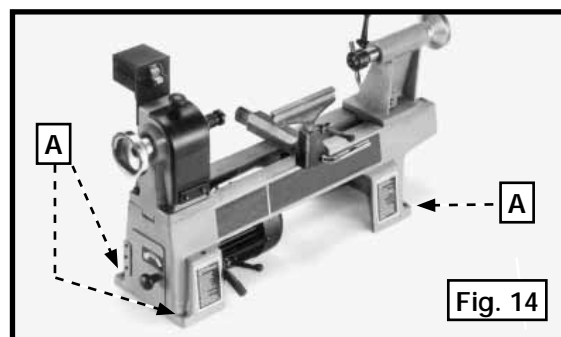
Pour utiliser le plateau de montage pour un tournage intérieur, monter le plateau de montage sur le fourreau (sur la figure, cette opération est réalisée sans pièce pour plus de clarté).

1. Fixer la cale (A) fig. 12 sur le fourreau (B).
2. Visser le plateau de montage (C) fig. 13 sur le fourreau. Insérer la barre d'éjection (D) dans le trou du fourreau pour l'empêcher de tourner. Serrer le plateau de montage (C) sur les méplats à l'aide de la clé fournie (B).



FIXATION DU TOUR À UNE SURFACE DE SUPPORT

Vous devez fixer le tour à bois à une surface de support. Le socle du tour présente quatre trous de montage (dont trois sont illustrés à (A) fig. 14).



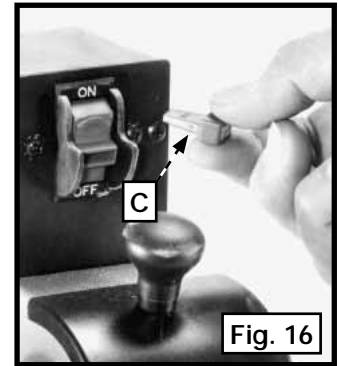
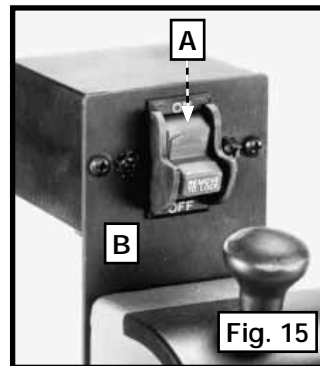
FONCTIONNEMENT

L'OPERATION CONTROLE DE LE ET LES AJUSTEMENT

DÉMARRAGE ET ARRÊT DU TOUR

L'interrupteur marche/arrêt (A) fig. 15 est situé sur le support (B) assemblé précédemment à l'arrière de la poupée fixe. Pour allumer l'interrupteur, déplacer le bouton de l'interrupteur (A) en position « MARCHE » (ON). Pour éteindre l'interrupteur, déplacer l'interrupteur à bascule (A) vers le bas, en position « ARRÊT » (OFF).

⚠ AVERTISSEMENT S'assurer que l'interrupteur se trouve sur la position d'arrêt avant de brancher le cordon d'alimentation. En cas de panne de courant, mettre l'interrupteur sur la position d'arrêt. Un démarrage accidentel peut provoquer des blessures.



VERROUILLAGE DE L'INTERRUPTEUR EN POSITION D'ARRÊT

IMPORTANT : lorsque l'outil est inutilisé, l'interrupteur doit être verrouillé en position d'arrêt afin d'empêcher toute utilisation non autorisée. Pour verrouiller la machine, saisir la bascule de l'interrupteur (C) fig. 16 et la retirer de l'interrupteur. Une fois la bascule de l'interrupteur (C) retirée, l'interrupteur ne fonctionnera pas. Cependant, si la bascule de l'interrupteur est retirée tandis que le tour est en marche, il sera possible d'éteindre l'outil mais pas de le redémarrer sans réinsérer la bascule de l'interrupteur (C).

⚠ AVERTISSEMENT En cas de panne d'électricité (disjoncteur désarmé ou un fusible grillé), toujours déplacer l'interrupteur en position d'arrêt (off) jusqu'à ce que l'alimentation soit rétablie.

VITESSES DE BROCHE

Ce tour à bois peut fournir des vitesses de 500, 800, 1 250, 1 800, 2 650, et 3 700 tr/min.

MODIFICATION DES VITESSES DE BROCHE

Ce tour à bois dispose d'une poulie de moteur et d'une poulie de broche à six positions pour permettre différentes vitesses de broche selon les applications de tournage du bois. Pour modifier la vitesse :

⚠ AVERTISSEMENT Débrancher la machine de la source de pouvoir.

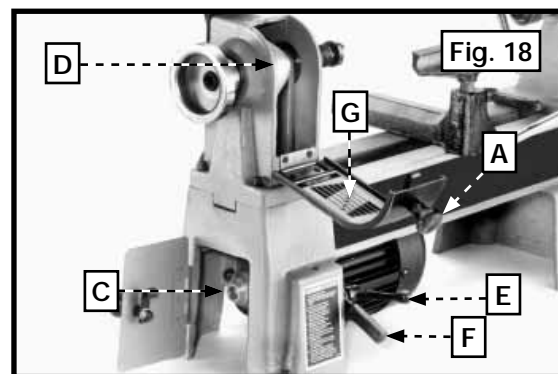
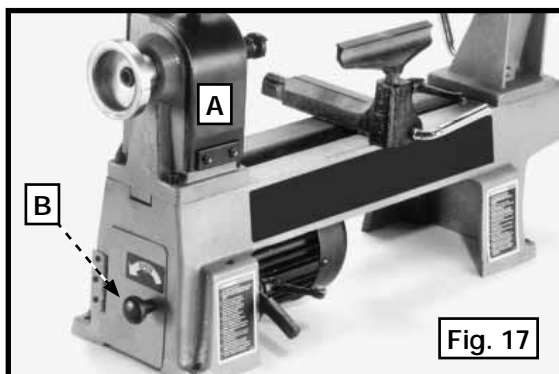
1. Ouvrir les portes (A) et (B) fig. 17 pour accéder à la poulie du moteur (C) fig. 19 et 20 et à la poulie de la broche (D) fig. 18 et 20.
2. Desserrer le levier de blocage (E) fig. 18. Soulever le levier (F) fig. 18 et serrer le levier de blocage (E) pour permettre à la courroie d'entraînement de se déplacer sur les poulies.

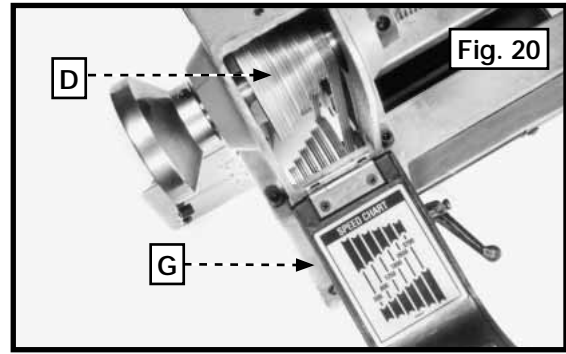
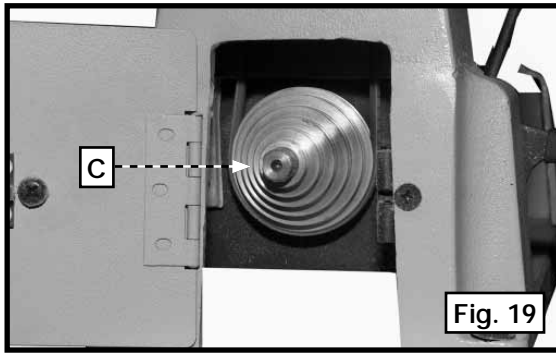
IMPORTANT : Vous trouverez un tableau des vitesses et de positionnement de la courroie (G) fig. 18 et 20 sur la face interne de la porte (A) fig. 17 pour vous aider à positionner la courroie correctement.

3. Tout en tenant le levier (F) fig. 18, desserrer le levier de blocage (E). Abaisser le moteur.

REMARQUE : Appliquer une légère pression du doigt sur le moteur (pour tendre la courroie d'entraînement) avant de resserrer le levier de blocage.

4. Serrer le levier de blocage (E).



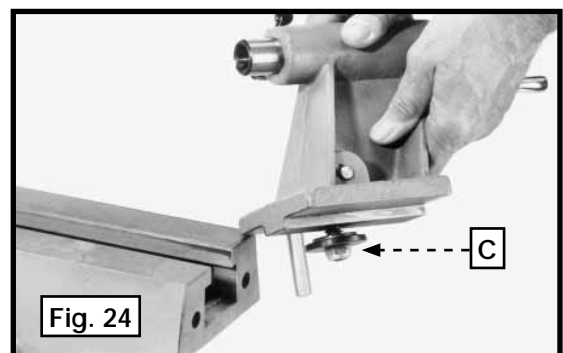
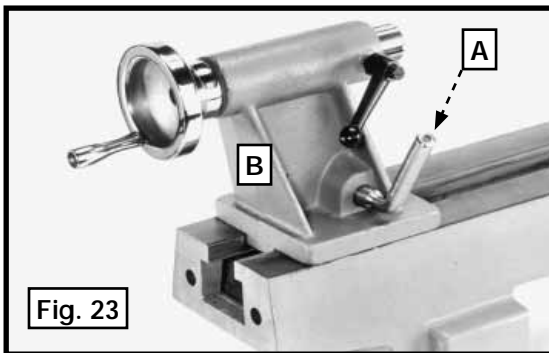
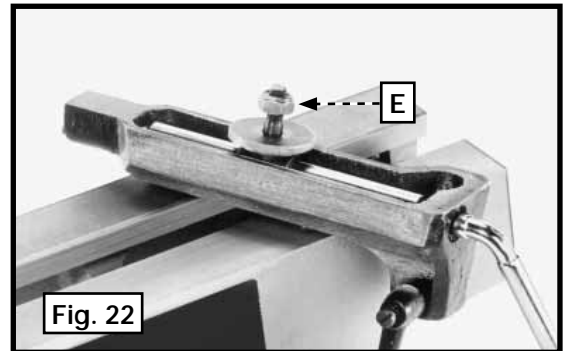
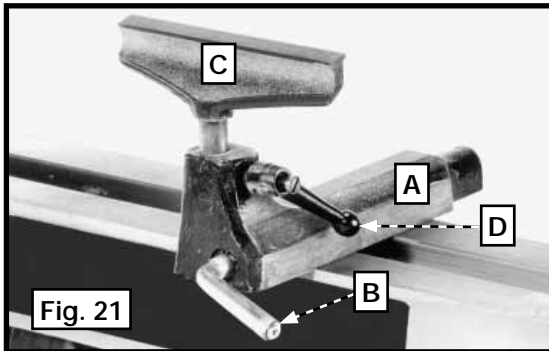


RÉGLAGE DU PORTE-OUTIL

⚠ AVERTISSEMENT Débrancher la machine de la source de pouvoir.

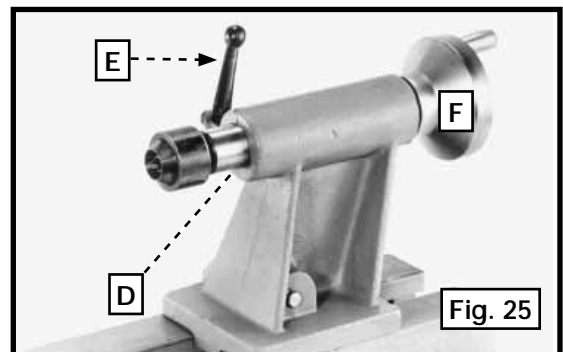
Pour la plupart des applications, positionner le porte-outil aussi près que possible de la pièce, et environ 3,2 mm (1/8 po) au-dessus du centre de la pièce.

1. Pour positionner la base du porte-outil (A) fig. 21 le long du banc du tour, desserrer le levier de blocage (B), glisser la base du porte-outil à l'emplacement désiré, et serrer le levier (B).
2. Pour régler la hauteur du porte-outil (C) fig. 21, desserrer le levier (D), lever ou abaisser le porte-outil, et serrer le levier (D).
3. Vous pouvez régler le dispositif de serrage sur la base du porte-outil en ajustant l'écrou (E) dans le sens des aiguilles d'une montre pour augmenter l'effet de serrage, ou dans le sens inverse des aiguilles d'une montre pour le réduire.



RÉGLAGE DE LA POUPÉE MOBILE

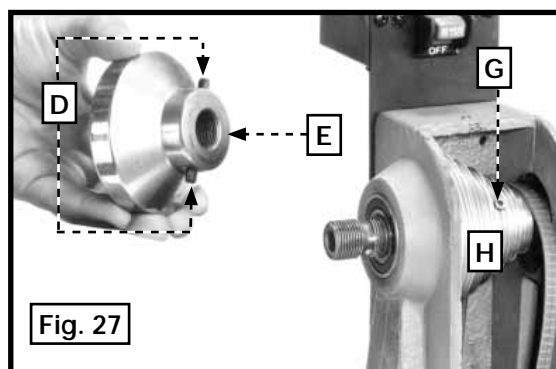
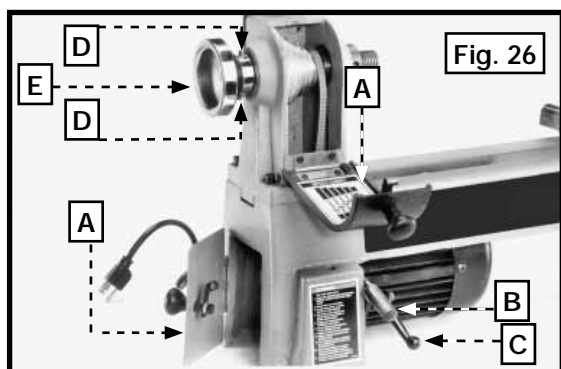
1. Pour glisser la poupée mobile le long du banc du tour, desserrer le levier de blocage (A) fig. 23. Glisser la poupée mobile (B) en position, et serrer le levier (A). Le dispositif de serrage de la poupée mobile a été réglé en usine. Toutefois, s'il est nécessaire de régler l'effet de serrage, ôter la poupée mobile et serrer (ou desserrer) l'écrou (C) fig. 24 qui se trouve sur la partie inférieure de la poupée mobile. Fixer à nouveau la poupée mobile au banc du tour.
2. Pour déplacer le fourreau (D) fig. 25 vers l'intérieur ou vers l'extérieur, desserrer le levier de blocage (E) et tourner le volant (F). Serrer le levier (E) après avoir ajusté le fourreau (D).



REMARQUE : La course totale du fourreau (D) varie entre 0 mm et 38 mm (1 1/2 po).

REPLACEMENT DE LA COURROIE D'ENTRAÎNEMENT

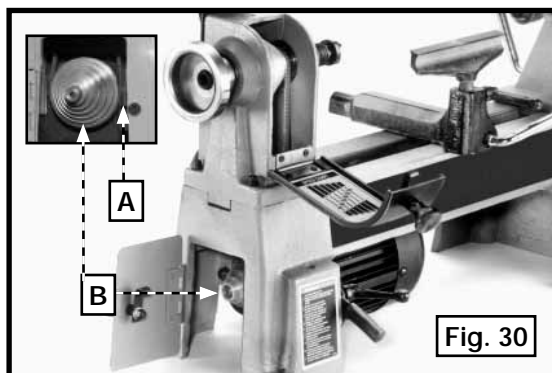
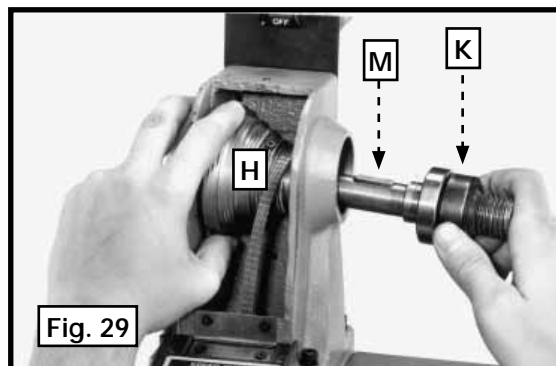
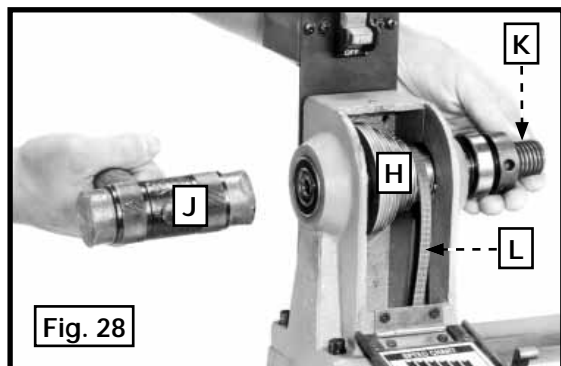
1. Ouvrir les deux portes (A) fig. 26.
2. Tenir la poignée (B) fig. 26, et desserrer le levier de blocage (C). Tirer sur la poignée (B) pour relâcher la tension de la courroie et serrer le levier de blocage (C).
3. Desserrer les deux vis de calage (D) fig. 26 et 27, et retirer le volant (E).
4. Desserrer la vis de calage (G) fig. 27 qui se trouve sur la poulie de la broche (H).



5. Utiliser un maillet-caoutchouc (J) fig. 28 pour enfoncer doucement l'arbre de la broche (K) dans le roulement. L'enfoncer assez profond pour déplacer l'arbre de la broche vers la droite de façon à retirer la poulie de la broche (H), et l'arbre de la broche (K) fig. 29.

IMPORTANT : Attention à ne pas faire tomber la clé en métal (M) fig. 29 dans le moyeu de la poulie de la broche (H).

6. Retirer la courroie d'entraînement (A) fig. 30 de la poulie du moteur (B).
7. Remonter la courroie d'entraînement et la broche en effectuant l'inverse de la procédure décrite ci-dessus. Ajuster correctement la tension de la courroie d'entraînement. Consulter la section « **MODIFICATION DES VITESSES DE BROCHE** ».
8. **IMPORTANT :** Lors de l'assemblage de la broche et du volant, serrer les vis de calage de la poulie de la broche contre la surface plane de la broche. Vérifier que la poulie de la broche est alignée à la poulie du moteur. Régler le cas échéant.

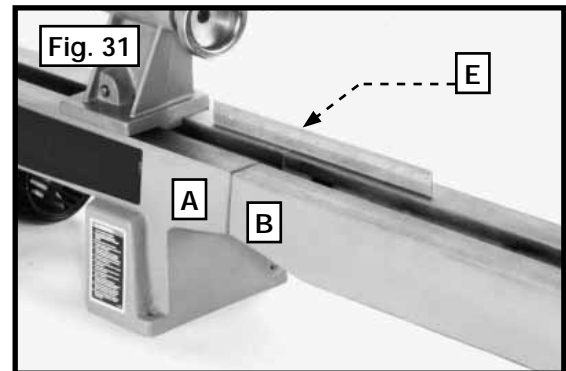
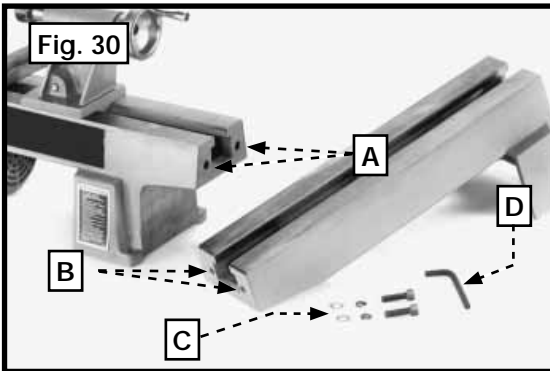


FIXATION DE L'EXTENSION DE BANC

⚠ AVERTISSEMENT Débrancher la machine de la source de pouvoir.

La longueur totale du banc du tour (centre à centre) peut être augmentée jusqu'à 94 cm (37 po) en achetant et en installant une extension de banc accessoire. Pour fixer l'extension de banc au tour:

1. Aligner les deux trous qui se trouvent à l'extrémité du banc du tour (A) fig. 30 avec les deux trous (B) qui se trouvent à l'extrémité de l'extension de banc. Fixer l'extension au banc du tour avec deux vis à tête hexagonale M10 x 40 x 38 mm (M10 x 40 x 1 1/2 po), deux rondelles de blocage et deux rondelles plates (C) à l'aide de la clé fournie (D).
2. **IMPORTANT** : Avant de serrer les vis, utiliser une règle droite (E) fig. 33 pour mettre à niveau le banc du tour (A) avec l'extension de banc (B).



UTILISATION DE LA MACHINE

Les directives suivantes donneront à l'opérateur sans expérience une idée des principales opérations de tournage. Effectuer des essais sur des déchets de découpe avant de réaliser le tournage de la pièce.

OUTILS DE TOURNAGE

Les outils standard de tournage du bois existent en différentes configurations (fig. A1). La plupart des tournages nécessitent l'utilisation d'une gouge (A) fig. A1. Utiliser ce bédane creux à bout rond pour le dégrossissage, les coupes de gorges, et d'autres opérations. Le ciseau à épauler (B) est un burin à bout plat à double meulage dont l'extrémité est biseautée. Utiliser cet outil pour lisser les cylindres, réaliser des épaulements, des baguettes, des rainures en V, etc. Le ciseau à couper (C) est un ciseau à double meulage qui est utilisé pour tronçonner, ou pour réaliser des incisions droites ou mettre à dimension une pièce à un diamètre donné. Utiliser principalement le grattoir à bout rond (D) pour les ouvrages de mortaisage et le grattoir à bout droit pour l'extérieur des bols.



Fig. A1

COMMENT RÉALISER UN TOURNAGE ENTRE POINTES

Le tournage entre pointes consiste à tourner une pièce fixée aux pointes du tour et est utilisé pour les chaises et les pieds de table, les tiges de lampe, etc. Vous pouvez utiliser une technique de raclage ou de coupe pour le tournage entre pointes. La technique de coupe est la méthode la plus prisée, car elle permet de couper le bois plus rapidement et offre une surface plus nette.

CENTRAGE DE LA PIÈCE

Pour un tournage entre pointes, la pièce de bois doit avoir une forme relativement carrée, et ses extrémités doivent être à angle droit avec les côtés. Deux méthodes couramment utilisées pour déterminer le centre sont illustrées par les fig. A2 et A3. Pour la fig. A2, une distance plus ou moins égale à la moitié de la largeur de la pièce de bois est déterminée à partir de chacun des quatre côtés. Ce petit carré déterminé au centre peut alors être utilisé pour marquer le centre réel. La méthode des diagonales, fig. A3, consiste à tracer des lignes d'un coin à l'autre pour déterminer le centre de la pièce grâce au point d'intersection de ces lignes.



Fig. A2



Fig. A3

Après avoir marqué chaque extrémité, marquer le centre réel à l'aide d'un poinçon ou d'un compas (fig. A4). Si la pièce est en bois dur, percer le centre jusqu'à environ 3,2 mm (1/8 po) de profondeur. Placer la pointe à griffe ou la pointe d'entraînement contre l'une des extrémités de la pièce et la frapper à l'aide d'un maillet pour l'enfoncer (fig. A5). Si la pièce est en bois dur, faire une première marque pour la pointe à griffe en perçant un petit trou à l'intersection des diagonales. Après avoir vissé la pointe, maintenir la pointe et la pièce ensemble et les fixer immédiatement à la broche de la poupée fixe. Si vous n'utilisez pas une pointe à roulement à billes, lubrifier l'extrémité de la pièce au niveau de la contrepointe. Appliquer le lubrifiant sur le bois avant ou après avoir placé la pièce sur le tour. De nombreux tourneurs utilisent de la cire d'abeilles, du suif, ou une mixture à base de cire et d'huile en guise de lubrifiant. L'utilisation d'une pointe à roulement à billes est idéale car il n'est alors pas nécessaire de lubrifier. Si vous prévoyez de retirer la pièce du tour avant d'avoir terminé votre ouvrage, effectuez une marque pour vous aider à centrer la pièce à nouveau (fig. A6). Il est possible d'effectuer une marque permanente en meulant un des coins de l'une des griffes.

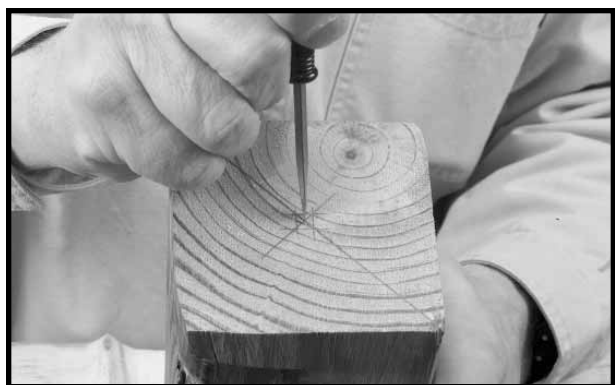


Fig. A4



Fig. A5

MONTAGE DE LA PIÈCE

Monter la pièce en déplaçant la poupée mobile à une position d'environ 25 mm (1 po) ou 38 mm (1 1/2 po) à partir de l'extrémité de la pièce, et en la bloquant dans cette position. Avancer la contrepointe en tournant la poignée d'avance jusqu'à ce que la pointe soit en contact avec la pièce. Ne pas maintenir la pièce seulement sur la broche centrale. Le bord de la pointe doit toujours être enfoncé d'au moins 3,2 mm (1/8 po) dans la pièce. Continuer à avancer la pointe tout en faisant lentement tourner la pièce manuellement. Une fois qu'il devient difficile de tourner la pièce, relâcher l'avance d'environ un quart de tour et bloquer le fourreau.



Fig. A6

POSITION DU PORTE-OUTIL

Fixer le porte-outil en place à environ 3,2 mm (1/8 po) de la pièce et 3,2 mm (1/8 po) au-dessus du centre de la pièce (fig. A7). Cette position peut varier selon la pièce et l'opérateur. Placer une marque de guide sur la tige du porte-outil pour vous permettre de repositionner la pièce rapidement et avec précision.

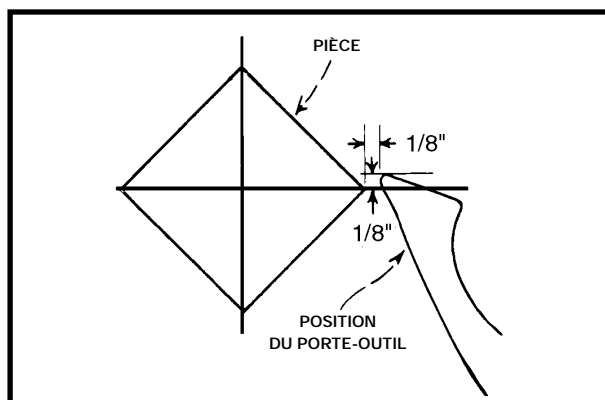


Fig. A7



Fig. A8



Fig. A9

DÉGROSSISSAGE D'UN CYLINDRE

Utiliser la grande gouge pour la première phase du tournage afin de lisser les coins tranchants de la pièce. Utiliser le tour à faible vitesse et tenir la gouge comme indiqué sur la fig. A8. Commencer la coupe à environ 50 mm (2 po) de l'extrémité de la poupée mobile et continuer jusqu'à l'extrémité de la poupée mobile. Effectuer la seconde coupe en commençant à environ 50,8 mm ou 76,2 mm (2 po ou 3 po) à gauche de la première coupe. Avancer à nouveau vers la poupée mobile, jusqu'à rejoindre la coupe précédente. Faire rouler la gouge dans l'autre sens vers l'extrémité de la pointe d'entraînement (fig. A9) pour effectuer la coupe finale jusqu'à l'extrémité de la pointe d'entraînement de la pièce. Ne pas dégrossir d'un seul mouvement continu. En effet, de longs éclats de bois pourraient se détacher des coins de la pièce. Ne pas commencer la coupe directement par l'extrémité de la pièce. Vous pouvez réaliser la coupe en toute sécurité du centre de la pièce vers l'une de ses extrémités, une fois que le dégrossissage a été effectué.

La position de la gouge implique deux ou trois angles importants. (1) Vous pouvez avancer l'outil le long de la pièce de gauche à droite ou de droite à gauche. Il est recommandé d'avancer l'outil de gauche à droite (de la poupée fixe à la poupée mobile) pour que les copeaux ne soient pas projetés dans votre direction. (2) Faire rouler la gouge légèrement dans la même direction alors que vous faites progresser la coupe. (3) Bien tenir l'outil au-dessus de la pièce, le biseau ou la pointe de meulage tangent(e) à la surface tournante (fig. A10). Cette position permet une coupe nette. Lorsqu'elle est avancée tout droit dans la pièce (fig. A10), la gouge a pour effet de racler (ce qui constitue une pratique médiocre pour le tournage entre pointes). Continuer le dégrossissage jusqu'à ce que la pièce ne soit plus qu'à 3,2 mm (1/8) du diamètre désiré. Lorsque vous avez obtenu une forme cylindrique, vous pouvez changer de vitesse de tournage pour passer à la deuxième ou troisième vitesse.

REMARQUE : Continuer à déplacer le porte-outil vers l'intérieur en direction de la pièce pour conserver une distance de sécurité entre les deux.

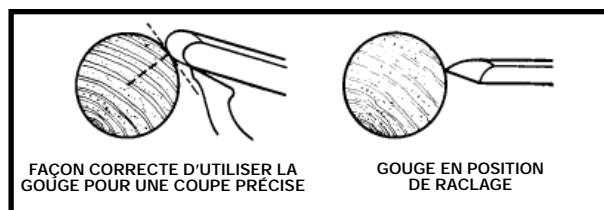


Fig. A10

POSITION DES MAINS

Tenir le manche de l'outil de façon naturelle. Cette position des mains permet d'utiliser l'outil avec efficacité en déplaçant le ciseau vers l'intérieur ou vers l'extérieur. La position de la main qui se trouve sur le porte-outil dépend des préférences de chacun, et n'obéit pas à des règles particulières. Toutefois, il est souvent préférable de tenir le porte-outil paume vers le haut (fig. A11). Dans cette position, l'index sert de guide en glissant le long du porte-outil à mesure que vous réalisez la coupe.



Fig. A11

Il est également possible de tenir le porte-outil paume vers le bas (fig. A12). Dans cette position, c'est la paume de la main ou l'auriculaire qui sert de guide. La position paume vers le bas permet une bonne prise, idéale pour le dégrossissage ou pour couper les pièces épaisses. La plupart des débutants commencent par tenir le porte-outil paume vers le bas, puis finissent par utiliser la position paume vers le haut pour une meilleure manipulation du ciseau.

LISSAGE D'UN CYLINDRE

Pour lisser un cylindre, utiliser un grand ciseau à épauler. Cette opération exige une grande pratique, mais il est très important de s'entraîner avec cet outil. Placer la pointe coupante près du centre du ciseau et haut sur la pièce (fig. A13). Parfois, en essayant tant bien que mal de trouver la bonne position par rapport à la pièce, les débutants en oublient ce point très important. Lever le manche aura pour effet d'augmenter la profondeur de la coupe, tandis qu'abaisser le manche produira l'effet inverse. Concernant la gouge, vous pouvez avancer le ciseau à épauler dans l'une ou l'autre direction. La coupe s'effectue en dirigeant le centre du ciseau à épauler vers le talon. La partie arrière de la pointe de meulage ou du biseau soutient l'outil, tandis que la main qui se trouve sur le manche contrôle la profondeur de coupe en balançant le ciseau sur son point de pivotement. De ce fait, s'assurer que le biseau du ciseau à épauler est parfaitement plat.

UTILISATION DU CISEAU À COUPER

Le ciseau à couper est peut-être le ciseau de tournage le plus facile à manipuler. Il suffit d'avancer cet outil de raclage dans la pièce (fig. A14). L'action de coupe sera meilleure en tenant le manche assez bas. Dans de nombreuses situations, il est possible de tenir l'outil à une main tandis que l'autre main tient le compas dans la rainure de la coupe. Lorsque les coupes réalisées à l'aide du ciseau à couper sont profondes, effectuer une coupe de dégagement le long de la première coupe (fig. A15) pour éviter de brûler la pointe de l'outil.

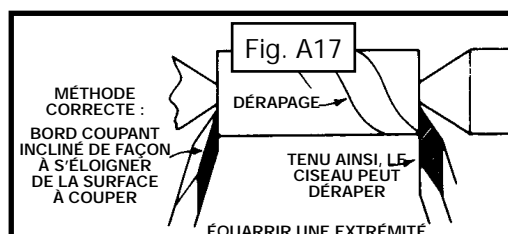


ÉQUARRISSAGE D'UNE EXTRÉMITÉ

Il est possible d'utiliser le ciseau à couper pour équarrir rapidement une extrémité. Le ciseau à couper effectue des coupes grossières, mais il est possible de lisser la coupe à l'aide d'un ciseau à épauler. Il faut noter que l'intégralité de l'opération peut être effectuée à l'aide du ciseau à épauler. Lors de l'utilisation du ciseau à épauler, effectuer la première entaille avec le bout du ciseau (fig. A16). Une coupe profonde pourrait brûler le ciseau, par conséquent il est nécessaire de réaliser une coupe de dégagement en inclinant le ciseau à l'écart de la première coupe et en enfonçant l'outil dans la pièce. Réaliser cette procédure de coupe latérale et de coupe de dégagement aussi souvent que nécessaire.



REMARQUE : Bien que le ciseau à épauler puisse être enfoncé dans le bois dans toutes les directions, le bord coupant doit être incliné un peu en retrait de ce plan. Si le bord coupant est complètement appuyé contre la surface coupée, l'outil aura tendance à déraper. Voir la (fig. A17) pour savoir comment réaliser la coupe correctement. Enfoncer le ciseau tout droit dans la pièce, et incliner le bord coupant de façon à l'éloigner de la surface coupée. N'utiliser que la pointe du bout du ciseau pour cette coupe. Cette méthode de manipulation du ciseau à épauler sera fréquemment utilisée pour réaliser des épaulements, des baguettes et des rainures en V.



RÉALISER UN ÉPAULEMENT

Utiliser d'abord le ciseau à couper pour que la pièce ne soit plus qu'à 1,6 mm (1/16 po) du diamètre souhaité pour l'épaulement (fig. A18). Enlever les chutes de bois à l'aide de la gouge (fig. A19), puis utiliser le ciseau à épauler (fig. A20) pour réaliser la coupe de l'épaulement (opération identique à l'équarrissage d'une extrémité). Utiliser le ciseau à épauler pour réaliser la coupe horizontale, mais différemment d'un simple ouvrage sur cylindre. Si l'épaulement est long, utiliser le ciseau à épauler en position ordinaire pour la partie extérieure de la coupe. À un angle qui se situe entre la coupe horizontale et la coupe verticale, déplacer le talon du ciseau selon une position tangente entre le ciseau à épauler et le cylindre (fig. A21). Lever le manche du ciseau doucement pour lui permettre de couper pendant que l'outil se déplace le long du porte-outil. Réaliser une coupe très légère pour produire une pièce lisse. Vous pouvez utiliser le talon du ciseau à épauler pour réaliser la coupe dans son intégralité si vous le souhaitez, cependant, qu'il s'agisse de cette position ou de toute autre position, vous ne devez pas commencer la coupe directement à l'extrémité de la pièce. Les coupes horizontales réalisées directement depuis l'extrémité de la pièce auront tendance à « mordre » le bois, ruinant ainsi souvent la pièce tout entière. Toujours procéder de l'intérieur vers l'extrémité, et non pas de l'extrémité vers l'intérieur. Lorsqu'un épaulement très petit permet, utiliser le ciseau à épauler dans une position de raclage à plat. Si la technique de coupe est utilisée, n'utiliser que le talon du ciseau pour une coupe très légère.

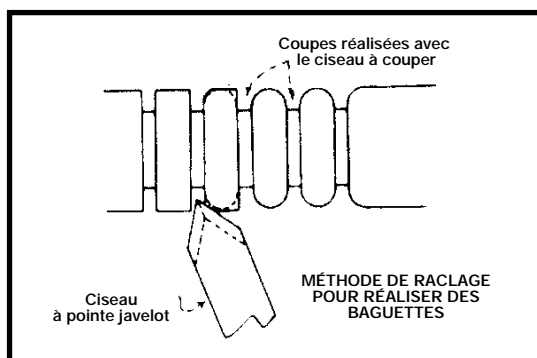


Fig. A22

COUPE DE PETITES BAGUETTES

Il est possible de racler ou de couper de petites baguettes. Le ciseau à pointe javelot offre la méthode de raclage la plus simple, et fonctionne bien sur les baguettes séparées par des coupes réalisées au ciseau à couper (fig. A22). Le raclage est plus lent que la coupe et n'est pas aussi net, mais il présente l'avantage de protéger la pièce contre les longues entailles.

Couper des baguettes rapidement et avec précision avec un petit ciseau à épauler est l'une des opérations les plus complexes à réaliser avec un tour. Il existe plusieurs méthodes de travail. L'une de ces méthodes consiste à pratiquer une incision verticale à l'endroit où les deux surfaces courbées finiront par se rejoindre. Réaliser cette coupe à l'aide du talon ou du bout du ciseau à épauler. (La fig. A23 montre l'utilisation du bout du ciseau). Placer le ciseau perpendiculairement à la pièce. Placer un des côtés du ciseau à plat pour commencer, puis le faire tourner uniformément au cours des différentes étapes de la coupe (fig. A24, A25, et A26). En même temps, ramener légèrement le ciseau en arrière pour maintenir la pointe coupante. La coupe est entièrement réalisée avec le talon du ciseau. L'autre côté de la baguette est coupé selon la même méthode, de façon à ce qu'une seule coupe permette de produire la forme complète de chaque baguette. Cette opération produit des baguettes magnifiquement lisses et polies, et cette technique vaut vraiment la peine d'être maîtrisée.



Fig. A18



Fig. A19



Fig. A20



Fig. A21



Fig. A23



Fig. A24

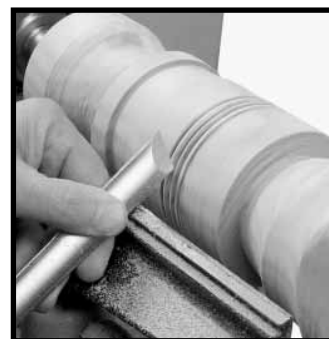


Fig. A25

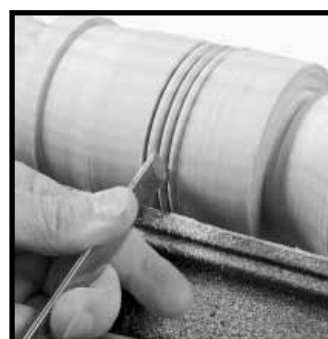


Fig. A26

RAINURES EN V

Réaliser des rainures en V exige en grande partie la même technique que celle utilisée pour les baguettes, à l'exception que le ciseau à épauler est engagé directement dans la pièce sans rotation (fig. A27). Le V doit être réalisé en deux temps (une moitié, puis l'autre), et il est possible qu'une ou deux coupes, voire plus, soient nécessaires de chaque côté pour obtenir la forme souhaitée. Comme pour toute coupe réalisée avec le ciseau à épauler, le biseau qui se trouve à côté de la coupe doit être utilisé comme point d'appui. Attention à ne pas appuyer complètement le bord du ciseau car il risquerait de déraiper. Il est également possible de réaliser des rainures en V avec le bout du ciseau à épauler, en procédant comme pour équarrir une extrémité.



Fig. A27



Fig. A28

COUPES LONGUES

Les surfaces convexes ou les surfaces coniques droites nécessitent en général des coupes longues. La méthode utilisée pour réaliser la coupe de finition sur surface convexe est montrée sur la (fig. A28). Faire tourner la gouge sur le porte-outil de façon à l'incliner dans la direction qu'elle empruntera. La pointe de meulage est tangente à la pièce, et la pointe centrale du bord coupant est en contact avec la pièce de bois. À mesure que la coupe progresse en direction et autour de l'extrémité de la courbe, lever petit à petit le manche et l'orienter vers la droite (fig. A29) pour conserver la tangente entre la pointe de meulage et la pièce.



Fig. A29



Fig. A30

Les fig. A30 et A31 montrent la coupe d'un long cône à l'aide d'un ciseau à épauler. Cette opération ne diffère du lissage d'un cylindre que sur le début de la coupe. Réaliser la coupe initiale avec le talon (fig. A30) afin d'éviter que l'outil ne creuse la pièce. À mesure que l'outil descend le long de la pièce, ramener le ciseau en arrière pour permettre à la pointe centrale du bord coupant de réaliser la coupe. Toutefois, il est possible de réaliser l'intégralité du cône avec le talon. Attention à ne pas couper trop en profondeur au centre du cône. La coupe se fait toujours vers le bas.



Fig. A31

COUPES DE GORGES

La coupe de gorge ou coupe concave est la plus difficile à maîtriser après la coupe de baguettes. Réaliser cette coupe avec la gouge en prenant en considération que la taille de l'outil dépend de la taille de la coupe. Enfoncer la gouge directement dans la pièce pour retirer l'excédent de bois (fig. A32).



Fig. A32

Placer la gouge au bord du porte-outil de façon à ce que la pointe de meulage du ciseau soit perpendiculaire à la pièce (Fig. A33). Faire en sorte que le ciseau soit en contact avec la pièce au centre du bord coupant. Tenir l'outil de façon à ce que le centre de la gouge soit directement pointé vers le centre de la pièce tournante. Cette position initiale est importante car elle permet d'empêcher la gouge de déraiper le long de la pièce.

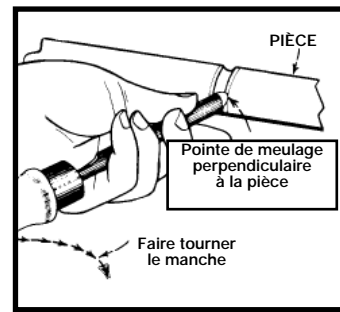


Fig. A33

À partir de cette position initiale, enfoncer la gouge dans la pièce et faire rouler l'outil sur le porte-outil. Une triple action doit être réalisée. (1) Faire rouler le ciseau de façon à ce qu'il suive la forme de la coupe, (2) abaisser légèrement le manche pour que la partie déjà coupée entraîne le bord du ciseau sur le côté, (3) enfoncer le ciseau dans la pièce de sorte que, à la fin de la coupe (fig. A34), le ciseau soit bien au-dessus de la pièce et tangent à la surface coupée. Ne réaliser que la moitié de la coupe à la fois, puis retourner le ciseau pour couper l'autre moitié. Pour les tourneurs qui ne maîtrisent pas parfaitement la technique, il est conseillé de réaliser les coupes de gorges en utilisant la méthode du raclage, avec la petite gouge ou le ciseau à bout rond.

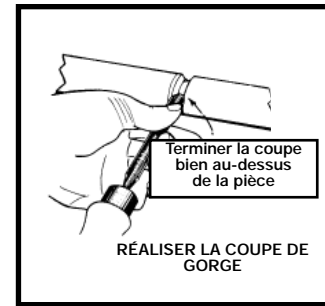


Fig. A34



Fig. A35



Fig. A36



Fig. A37



Fig. A38

TOURNAGE SUR PLATEAU

Monter sur un plateau la plupart des pièces qui ne peuvent pas être tournées entre pointes. Certains ouvrages nécessitent des mandrins spéciaux. Pour les opérations de tournage sur plateau, la coupe est réalisée par raclage. Toute tentative d'utiliser une technique de coupe radiale sur une grande pièce ciseau des mains. Utiliser une scie à ruban sur toute la pièce pour dégrossir la surface à tourner afin d'éliminer les coupes profondes.

FIXATION DE LA PIÈCE AU PLATEAU DE MONTAGE

La fig. A39 montre le montage direct de la pièce sur le plateau de 76,2 mm (3 po), ainsi que sa fixation sur le bloc de support. Du fait de sa simplicité d'installation, utiliser ce montage chaque fois que possible. Tenir les pièces les plus grandes de la même façon à l'aide du plateau de montage de 152 mm (6 po). Lorsque des attaches à vis normales gênent le tournage, monter la pièce sur un bloc de support (fig. A39). Lorsqu'il n'est pas du tout possible d'utiliser des vis, coller la pièce au bloc de support en intercalant une feuille de papier au niveau du joint pour permettre de détacher la pièce ultérieurement sans endommager le bois. Pour certaines pièces, il est possible de visser ou clouer le côté de la face au bloc de support. Fixer les pièces de moins de 76,2 mm (3 po) de diamètre sur une pointe à vis (fig. A40).

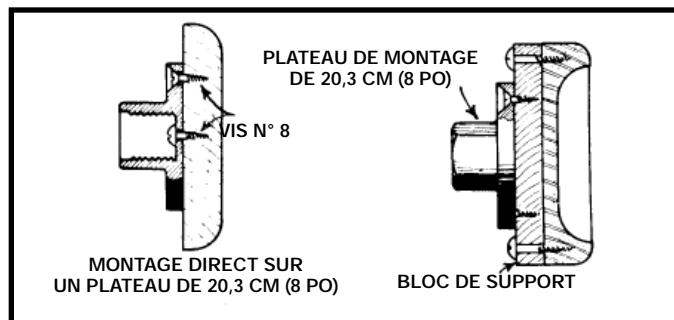


Fig. A39

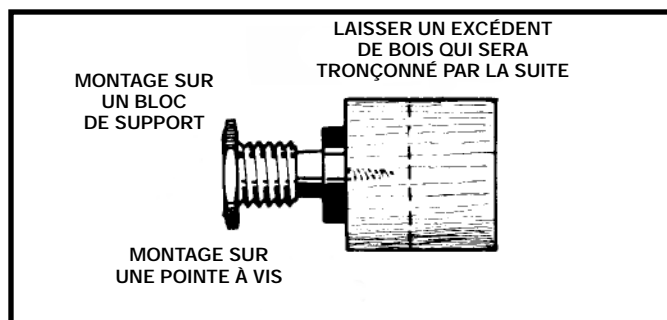


Fig. A40

DEPANNAGE

Pour l'assistance avec votre outil, visiter notre site web à www.deltamachinery.com pour une liste de centres de maintenance ou appeler la ligne d'aide de Delta Machinery à 1-800-223-7278. (Canada: 1-800-463-3582).

ENTRETIEN

GARDER LA MACHINE PROPRE

Dégager régulièrement toutes les conduites d'air avec de l'air comprimé sec. Toutes les pièces en plastique doivent être nettoyées à l'aide d'un chiffon doux humide. NE JAMAIS utiliser de solvants pour nettoyer les pièces en plastique. Les solvants peuvent dissoudre ou endommager le matériel.

⚠ AVERTISSEMENT : Porter des protections oculaire et auditive homologuées et utiliser un appareil respiratoire lors de l'utilisation d'air comprimé.

DÉMARRAGE IMPOSSIBLE

Si la machine ne démarre pas, s'assurer que les lames de la fiche du cordon d'alimentation sont bien enfoncées dans la prise de courant. Vérifier également que les fusibles ne sont pas grillés ou que le disjoncteur ne s'est pas déclenché.

LUBRIFICATION ET PROTECTION CONTRE LA ROUILLE

Appliquer chaque semaine une cire à parquets d'usage domestique sur la table de la machine, sur la rallonge de table ou toute autre surface de travail. Ou utiliser un produit protecteur commercial conçu à cet effet. Suivre les directives du fabricant pour l'utilisation et la sécurité.

Pour nettoyer les tables en fonte contre la rouille, utiliser le matériel suivant : une feuille de papier à poncer Scotch-Brite™ medium, une boîte de WD-40® et une boîte de dégraissant. Appliquer le WD-40 et polir la surface de la table avec le papier à poncer Scotch-Brite. Dégraisser la table puis appliquer le produit protecteur comme décrit ci-dessus.

SERVICE

PIÈCES DE RECHANGE

Utiliser seulement des pièces de rechange identiques. Pour obtenir une liste des pièces de rechange ou pour en commander, consulter notre site Web au servicenet.deltamachinery.com. Commander aussi des pièces auprès d'une succursale d'usine ou composer le 1-800-223-7278 pour le service à la clientèle et recevoir ainsi une assistance personnalisée de techniciens bien formés.

REPLACEMENT GRATUIT DE L'ÉTIQUETTE

Si vos étiquettes d'avertissement deviennent illisibles ou sont manquantes, composez le 1-800-223-7278 pour obtenir une étiquette de remplacement gratuite.



ENTRETIEN ET RÉPARATION

Tous les outils de qualité finissent par demander un entretien ou un changement de pièce. Pour de plus amples renseignements à propos de Delta Machinery, ses succursales d'usine ou un centre de réparation sous garantie autorisé, consulter notre site Web au www.deltamachinery.com ou composer le 1-800-223-7278 pour le service à la clientèle. Toutes les réparations effectuées dans nos centres de réparation sont entièrement garanties contre les défauts de matériaux et de main-d'oeuvre. Nous ne pouvons garantir les réparations effectuées en partie ou totalement par d'autres.

Pour de plus amples renseignements par courrier, écrire à Delta Machinery, 4825 Highway 45 North, Jackson, Tennessee 38305, É.-U. – à l'attention de : Product Service. S'assurer d'indiquer toutes les informations figurant sur la plaque signalétique de l'outil (numéro du modèle, type, numéro de série, etc.).

ACCESSOIRES

Une ligne complète des accessoires est fournie des centres commerciaux d'usine de par votre de Porter-Cable•Delta fournisseur, de Porter-Cable•Delta, et des stations service autorisées par Porter-Cable. Veuillez visiter notre site Web www.deltamachinery.com pour un catalogue ou pour le nom de votre fournisseur plus proche.

⚠ AVERTISSEMENT : Depuis des accessoires autre que ceux offerts par Porter-Cable•Delta n'ont pas été testés avec ce produit, utilisation de tels accessoires a pu être dangereux. Pour l'exploitation sûre, seulement Porter-Cable•Delta a recommandé des accessoires devrait être utilisé avec ce produit.

GARANTIE

Pour enregistrer votre outil pour la garantie service la visite notre site Web à www.deltamachinery.com.

Garantie limitée de deux ans

Delta réparera ou remplacera, à ses frais et à sa discrétion, toute nouvelle machine Delta, pièce de rechange ou tout accessoire qui, dans des circonstances d'utilisation normale, s'est avéré défectueux en raison de défauts de matériau ou de fabrication, à condition que le client retourne le produit (transport payé d'avance) au centre de réparation de l'usine Delta ou à un centre de réparation autorisé accompagné d'une preuve d'achat et dans les deux ans de la date d'achat du produit, et fournisse à Delta une opportunité raisonnable de vérifier le défaut présumé par une inspection. La période de garantie des produits Delta réusinés est de 180 jours. Delta peut demander que les moteurs électriques soient retournés (transport payé d'avance) à un centre de réparation autorisé du fabricant du moteur en vue d'une inspection, d'une réparation ou d'un remplacement. Delta ne peut être tenu pour responsable des défauts résultants de l'usage normale, de la mauvaise utilisation, de l'abus, de la réparation ou de la modification du produit, sauf en cas d'autorisation spécifique d'un centre de réparation ou d'un représentant Delta autorisé. En aucune circonstance Delta ne peut être tenu pour responsable des dommages accidentels ou indirects résultant d'un produit défectueux. Cette garantie constitue la seule garantie de Delta et le recours exclusif des clients en ce qui concerne les produits défectueux ; toutes les autres garanties, expresses ou implicites, de qualité marchande, d'adéquation à un usage particulier, ou autre, sont expressément déclinées par Delta.

INSTRUCCIONES DE SEGURIDAD IMPORTANTES

⚠ ADVERTENCIA Lea y entienda todas advertencias y las instrucciones operadoras antes de utilizar cualquier instrumento o el equipo. Cuando se usa instrumentos o equipo, las precauciones básicas de la seguridad siempre se deben seguir para reducir el riesgo de la herida personal. La operación impropia, la conservación o la modificación de instrumentos o equipo podrían tener como resultado el daño grave de la herida y la propiedad. Hay ciertas aplicaciones para que equipas con herramienta y el equipo se diseña. La Delta Machinery recomienda totalmente que este producto no sea modificado y/o utilizado para ninguna aplicación de otra manera que para que se diseñó.



Si usted tiene cualquiera pregunta el pariente a su aplicación no utiliza el producto hasta que usted haya escrito Delta Machinery y nosotros lo hemos aconsejado. La forma en línea del contacto en www.deltamachinery.com o por correo Technical Service Manager, Delta Machinery, 4825 Highway 45 North, Jackson, TN 38305. En Canada, 125 Mural St. Suite 300, Richmond Hill, ON, L4B 1M4

Información con respecto a la operación segura y apropiada de este instrumento está disponible de las fuentes siguientes:

- Power Tool Institute, 1300 Sumner Avenue, Cleveland, OH 44115-2851 o en línea www.powertoolinstitute.org
- National Safety Council, 1121 Spring Lake Drive, Itasca, IL 60143-3201
- American National Standards Institute, 25 West 43rd Street, 4 floor, New York, NY 10036 www.ansi.org - ANSI O1.1 Safety Requirements for Woodworking Machines
- U.S. Department of Labor regulations www.osha.gov

GUARDE ESTAS INSTRUCCIONES!

PAUTAS DE SEGURIDAD/DEFINICIONES

Es importante para usted leer y entender este manual. La información que lo contiene relaciona a proteger SU SEGURIDAD y PREVENIR los PROBLEMAS. Los símbolos debajo de son utilizados para ayudarlo a reconocer esta información.



⚠ PELIGRO: Indica una situación de inminente riesgo, la cual, si no es evitada, causará la muerte o lesiones serias.

⚠ ADVERTENCIA Indica una situación potencialmente riesgosa, que si no es evitada, podría resultar en la muerte o lesiones serias.

⚠ PRECAUCIÓN: Indica una situación potencialmente peligrosa, la cual, si no es evitada, podría resultar en lesiones menores o mode-radas.

PRECAUCIÓN Usado sin el símbolo de seguridad de alerta indica una situa-ción potencialmente riesgosa la que, si no es evitada, podría causar daños en la propiedad.

Proposición de CALIFORNIA 65

⚠ ADVERTENCIA Algunos tipos de aserrín creados por máquinas eléctricas de lijado, aserrado, amolado, perforado u otras actividades de la construcción, contienen materiales químicos conocidos (en el Estado de California) como causantes de cáncer, defectos de nacimiento u otros daños del aparato reproductivo. Algunos ejemplos de dichos productos químicos son:

- El plomo contenido en algunas pinturas con base de plomo
- Sílice cristalizado proveniente de los ladrillos, el cemento y otros productos de albañilería
- Arsénico y cromo de madera tratada químicamente

Su riesgo por causa de estas exposiciones varía, dependiendo de con cuánta frecuencia realice este tipo de trabajo. Para reducir su exposición a estos agentes químicos: trabaje en un área bien ventilada y trabaje con equipo de seguridad aprobado, use siempre protección facial o respirador **NIOSH/OSHA** aprobados cuando deba utilizar dichas herramientas.

NORMAS GENERALES DE SEGURIDAD

⚠ ADVERTENCIA Si no se siguen estas normas, el resultado podría ser lesiones graves.

- 1. PARA SU PROPIA SEGURIDAD, LEA EL MANUAL DE INSTRUCCIONES ANTES DE UTILIZAR LA MÁQUINA.** Al aprender la aplicación, las limitaciones y los peligros específicos de la máquina, se minimizará enormemente la posibilidad de accidentes y lesiones.
- 2. USE PROTECCIÓN DE LOS OJOS Y DE LA AUDICIÓN. USE SIEMPRE ANTEOJOS DE SEGURIDAD.** Los lentes de uso diario NO son anteojos de seguridad. USE EQUIPO DE SEGURIDAD CERTIFICADO. El equipo de protección de los ojos debe cumplir con las normas ANSI Z87.1. El equipo de protección de la audición debe cumplir con las normas ANSI S3.19.
- 3. USE INDUMENTARIA ADECUADA.** No use ropa holgada, guantes, corbatas, anillos, pulseras u otras joyas que podrían engancharse en las piezas móviles. Se recomienda usar calzado antideslizante. Use una cubierta protectora del pelo para sujetar el pelo largo.
- 4. NO UTILICE LA MÁQUINA EN UN ENTORNO PELIGROSO.** La utilización de herramientas mecánicas en lugares húmedos o mojados, o en la lluvia, puede causar descargas eléctricas o electrocución. Mantenga bien iluminada el área de trabajo para evitar tropezar o poner en peligro los brazos, las manos y los dedos.
- 5. MANTENGA TODAS LAS HERRAMIENTAS Y MÁQUINAS EN CONDICIONES ÓPTIMAS.** Mantenga las herramientas afiladas y limpias para lograr el mejor y más seguro rendimiento. Siga las instrucciones de lubricación y cambio de accesorios. Las herramientas y las máquinas mal mantenidas pueden dañar más la herramienta o la máquina y/o causar lesiones.
- 6. COMPRUEBE SI HAY PIEZAS DAÑADAS.** Antes de utilizar la máquina, compruebe si hay piezas dañadas. Compruebe la alineación de las piezas móviles, si las piezas móviles se atascan, si hay piezas rotas y toda otra situación que podría afectar su funcionamiento. Un protector o cualquier otra pieza que presente daños debe repararse o reemplazarse apropiadamente. Las piezas dañadas pueden causar daños adicionales a la máquina y/o lesiones.
- 7. MANTENGA LIMPIA EL ÁREA DE TRABAJO.** Las áreas y los bancos desordenados invitan a que se produzcan accidentes.
- 8. MANTENGA ALEJADOS A LOS NIÑOS Y A LOS VISITANTES.** El taller es un entorno potencialmente peligroso. Los niños y los visitantes pueden sufrir lesiones.
- 9. REDUZCA EL RIESGO DE UN ARRANQUE NO INTENCIONADO.** Asegúrese de que el interruptor esté en la posición de apagado antes de enchufar el cable de alimentación. En caso de un apagón, mueva el interruptor a la posición de apagado. Un arranque accidental podría causar lesiones.
- 10. UTILICE LOS PROTECTORES.** Asegúrese de que todos los protectores estén colocados en su sitio, sujetos firmemente y funcionando correctamente para prevenir lesiones.
- 11. QUITÉ LAS LLAVES DE AJUSTE Y DE TUERCA ANTES DE ARRANCAR LA MÁQUINA.** Las herramientas, los pedazos de desecho y otros residuos pueden salir despedidos a alta velocidad, causando lesiones.
- 12. UTILICE LA MÁQUINA ADECUADA.** No fuerce una máquina o un aditamento a hacer un trabajo para el que no se diseñó. El resultado podría ser daños a la máquina y/o lesiones.
- 13. UTILICE ACCESORIOS RECOMENDADOS.** La utilización de accesorios y aditamentos no recomendados por Delta podría causar daños a la máquina o lesiones al usuario.
- 14. UTILICE EL CORDÓN DE EXTENSIÓN ADECUADO.** Asegúrese de que el cordón de extensión esté en buenas condiciones. Cuando utilice un cordón de extensión, asegúrese de utilizar un cordón que sea lo suficientemente pesado como para llevar la corriente que su producto tome. Un cordón de tamaño insuficiente causará una caída de la tensión de la línea, lo cual producirá una pérdida de potencia y recalentamiento. Consulte el Cuadro de cordones de extensión para obtener el tamaño correcto dependiendo de la longitud del cordón y la capacidad nominal en amperios indicada en la placa de especificaciones. En caso de duda, utilice el próximo calibre más grueso. Cuanto más pequeño sea el número de calibre, más pesado será el cordón.
- 15. SUJETE FIRMEMENTE LA PIEZA DE TRABAJO.** Utilice las abrazaderas o el tornillo cuando usted no puede asegurar el objeto en la tabla y contra la cerca a mano o cuando su mano estará peligroso cerca de la lámina (dentro de 6").
- 16. HAGA AVANZAR LA PIEZA DE TRABAJO CONTRA EL SENTIDO DE ROTACIÓN DE LA HOJA, EL CORTADOR O LA SUPERFICIE ABRASIVA.** Si la hace avanzar desde el otro sentido, el resultado será que la pieza de trabajo salga despedida a alta velocidad.
- 17. NO FUERCE LA PIEZA DE TRABAJO SOBRE LA MÁQUINA.** El resultado podría ser daños a la máquina y/o lesiones.
- 18. NO INTENTE ALCANZAR DEMASIADO LEJOS.** Una pérdida del equilibrio puede hacerle caer en una máquina en funcionamiento, causándole lesiones.
- 19. NO SE SUBA NUNCA A LA MÁQUINA.** Se podrían producir lesiones si la herramienta se inclina o si usted hace contacto accidentalmente con la herramienta de corte.
- 20. NO DEJE NUNCA DESATENDIDA LA MÁQUINA CUANDO ESTÉ EN MARCHA. APÁGUELA.** No deje la máquina hasta que ésta se detenga por completo. Un niño o un visitante podría resultar lesionado.
- 21. APAGUE LA MÁQUINA Y DESCONÉCTELA DE LA FUENTE DE ALIMENTACIÓN** antes de instalar o quitar accesorios, antes de ajustar o cambiar configuraciones o al realizar reparaciones. Un arranque accidental puede causar lesiones.
- 22. HAGA SU TALLER A PRUEBA DE NIÑOS CON CANDADOS E INTERRUPTORES MAESTROS O QUITANDO LAS LLAVES DE ARRANQUE.** El arranque accidental de una máquina por un niño o un visitante podría causar lesiones.
- 23. MANTÉNGASE ALERTA, FÍJESE EN LO QUE ESTÁ HACIENDO Y USE EL SENTIDO COMÚN. NO UTILICE LA MÁQUINA CUANDO ESTÉ CANSADO O BAJO LA INFLUENCIA DE DROGAS, ALCOHOL O MEDICA-MENTOS.** Un momento de distracción mientras se estén utilizando herramientas mecánicas podría causar lesiones.
- 24. ⚠ ADVERTENCIA EL USO DE ESTA HERRAMIENTA PUEDE GENERAR Y DISPERSAR POLVO U OTRAS PARTÍCULAS SUSPENDIDAS EN EL AIRE, INCLUYENDO POLVO DE MADERA, POLVO DE SÍLICE CRISTALINA Y POLVO DE ASBESTO.** Dirija las partículas de modo que se alejen de la cara y del cuerpo. Utilice siempre la herramienta en un área bien ventilada y proporcione un medio apropiado de remoción de polvo. Use un sistema de recolección de polvo en todos los lugares donde sea posible. La exposición al polvo puede causar lesiones respiratorias graves y permanentes u otras lesiones graves y permanentes, incluyendo silicosis (una enfermedad pulmonar grave), cáncer y muerte. Evite aspirar el polvo y evite el contacto prolongado con el polvo. Si se permite que el polvo entre en la boca o en los ojos, o que se deposite en la piel, se puede promover la absorción de material nocivo. Use siempre protección respiratoria aprobada por NIOSH/OSHA que se ajuste apropiadamente y sea adecuada para la exposición al polvo, y lávese las áreas expuestas con agua y jabón.

NORMAS ESPECÍFICAS ADICIONALES DE SEGURIDAD

⚠ ADVERTENCIA Si no se siguen estas normas, el resultado podría ser lesiones personales graves.

1. **NO OPERE ESTA MÁQUINA HASTA** que esté armada e instalada según las instrucciones.
2. **SOLICITE EL ASESORAMIENTO** de su supervisor, instructor o alguna persona calificada si no está familiarizado con el funcionamiento de esta máquina.
3. **SIGA TODOS LOS CÓDIGOS DE CABLEADO** y las conexiones eléctricas recomendadas.
4. **DESBASTE la PIEZA DE TRABAJO** de modo que su forma se parezca tanto como sea posible a la forma de la pieza terminada antes de instalarla en la placa frontal.
5. **EXAMINE LA PIEZA DE TRABAJO EN BUSCA DE FALLAS** y controle las juntas encoladas antes de montar la pieza de trabajo en la máquina. NO monte una pieza de trabajo dividida o una pieza de trabajo con un nudo.
6. **ASEGURE LA PIEZA DE TRABAJO** a la placa frontal antes de girar la placa frontal. Apoye correctamente la pieza de trabajo en una placa frontal de tamaño adecuado. No permita que los tornillos de sujeción interfieran con la herramienta de torneado en la dimensión terminada de la pieza de trabajo.
7. **NUNCA COLOQUE LA PIEZA DE TRABAJO** en el centro impulsor mientras el centro impulsor está en la contrapunta. Coloque el centro impulsor en la pieza de trabajo con un mazo blando antes de instalarlo en la contrapunta.
8. **ASIENTE EL CENTRO DEL CABEZAL MÓVIL** contra la pieza de trabajo y trábelo. Si el centro del cabezal móvil no es un centro de rodamiento, lubríquelo.
9. **AJUSTE ADECUADAMENTE LA ALTURA DEL SOPORTE DE LA HERRAMIENTA.**
10. **AJUSTE EL SOPORTE DE LA HERRAMIENTA** para que esté tan cerca de la pieza de trabajo como sea posible.
11. **ANTES DE UTILIZAR LA HERRAMIENTA, AJUSTE** todos las manijas de bloqueo de las abrazaderas.
12. **Antes de encender la máquina, GIRE LA PIEZA DE TRABAJO MANUALMENTE** para verificar que no presente obstrucciones.
13. **Antes de encender la máquina, DESPEJE LA BANCADA DEL TORNO DE TODO TIPO DE OBJETOS** (herramientas, fragmentos de madera, etc.).
14. **Antes de encender la máquina, EXAMINE LA instalación con cuidado.**
15. **TOME DISTANCIA Y MANTENGA ALEJADOS A TODOS LOS ESPECTADORES Y TRANSEÚNTES** del recorrido de rotación de la pieza de trabajo para evitar que los residuos volátiles ocasionen lesiones.
16. **Cuando empieza a trabajar en una pieza nueva, USE la velocidad más baja.** NUNCA EXCEDA las velocidades recomendadas.
17. **NUNCA AJUSTE EL SOPORTE DE LA HERRAMIENTA** con la herramienta en funcionamiento.
18. **NUNCA AFLOJE EL EJE DEL CABEZAL MÓVIL** ni el cabezal móvil con la herramienta en funcionamiento.
19. **Cuando realice el desbaste de la pieza de trabajo, MUEVA LENTAMENTE LA HERRAMIENTA DE CORTE SOBRE LA PIEZA DE TRABAJO** y corte pequeñas cantidades.
20. **RETIRE EL SOPORTE DE LA HERRAMIENTA** antes de lijar o pulir.
21. **NUNCA REALICE TRABAJOS DE TRAZADO,** armado o instalación en la mesa o área de trabajo cuando la máquina esté en funcionamiento.
22. **APAGUE LA MÁQUINA Y DESCONÉCTELA** de la fuente de alimentación antes de instalar o quitar los accesorios, antes de ajustar o cambiar las configuraciones o cuando haga reparaciones.
23. **APAGUE LA MÁQUINA,** desconéctela del suministro de energía y limpie la mesa o área de trabajo antes de abandonarla. **BLOQUEE EL INTERRUPTOR EN LA POSICIÓN** de apagado ("OFF") para evitar el uso no autorizado.
24. **Encontrará INFORMACIÓN ADICIONAL** disponible acerca de la operación correcta y segura de herramientas eléctricas (por ejemplo: un vídeo de seguridad) en el Instituto de Herramientas Eléctricas (Power Tool Institute), 1300 Sumner Avenue, Cleveland, OH 44115-2851 (www.powertoolinstitute.com). Además, encontrará información disponible en el Consejo Nacional de Seguridad (National Safety Council), 1121 Spring Lake Drive, Itasca, IL 60143-3201. Remítase a los Requisitos de Seguridad 01.1 para las máquinas de carpintería del Instituto Estadounidense de Normas Nacionales (American National Standards Institute - ANSI) y a las Normas OSHA 1910.213 del Ministerio de Trabajo de los Estados Unidos.

GUARDE ESTAS INSTRUCCIONES.

Refiérase a ellas con frecuencia y utilícelas para adiestrar a otros.

CONEXIONES A LA FUENTE DE ALIMENTACIÓN

Debe utilizarse un circuito eléctrico independiente para las máquinas. Este circuito debe tener alambre de no menos del No. 12 y debe estar protegido con un fusible de acción retardada de 20 A. Si se utiliza un cordón de extensión, utilice únicamente cordones de extensión de tres alambres que tengan enchufes de tipo de conexión a tierra con tres terminales y un receptáculo coincidente que acepte el enchufe de la máquina. Antes de conectar el máquina a la línea de alimentación, asegúrese de que el interruptor(s) esté en la posición de apagado y cerciórese de que la corriente eléctrica tenga las mismas características que las que estén indicadas en la máquina. Todas las conexiones a la línea de alimentación deben hacer buen contacto. El funcionamiento a bajo voltaje dañará el máquina.

⚠ PELIGRO No exponga la máquina a la lluvia ni la utilice en lugares húmedos.

ESPECIFICACIONES DEL MOTOR

La máquina está cableada para corriente alterna de 120 V, 60 Hz. Antes de conectar la máquina a la fuente de alimentación, asegúrese de que el interruptor esté en la posición de apagado.

INSTRUCCIONES DE CONEXIÓN A TIERRA

⚠ PELIGRO Esta máquina debe estar conectada a tierra mientras se esté utilizando, para proteger al operador contra las descargas eléctricas.

1. Todas las máquinas conectadas con cordón conectadas a tierra:

En caso de mal funcionamiento o avería, la conexión a tierra proporciona una ruta de resistencia mínima para la corriente eléctrica, con el fin de reducir el riesgo de descargas eléctricas. Esta máquina está equipada con un cordón eléctrico que tiene un conductor de conexión a tierra del equipo y un enchufe de conexión a tierra. El enchufe debe enchufarse en un tomacorriente coincidente que esté instalado y conectado a tierra adecuadamente, de acuerdo con todos los códigos y ordenanzas locales.

No modifique el enchufe suministrado. Si el enchufe no cabe en el tomacorriente, haga que un electricista calificado instale el tomacorriente apropiado.

La conexión inapropiada del conductor de conexión a tierra del equipo puede dar como resultado riesgo de descargas eléctricas. El conductor con aislamiento que tiene una superficie exterior de color verde con o sin franjas amarillas es el conductor de conexión a tierra del equipo. Si es necesario reparar o reemplazar el cordón eléctrico o el enchufe, no conecte el conductor de conexión a tierra del equipo a un terminal con corriente.

Consulte a un electricista competente o a personal de servicio calificado si no entiende completamente las instrucciones de conexión a tierra o si tiene dudas en cuanto a si la máquina está conectada a tierra apropiadamente.

Utilice únicamente cordones de extensión de tres alambres que tengan enchufes de tipo de conexión a tierra con tres terminales y receptáculos de tres conductores que acepten el enchufe de la máquina, tal como se muestra en la Fig. A.

Repare o reemplace inmediatamente los cordones dañados o desgastados.

2. Máquinas conectadas con cordón conectadas a tierra diseñadas para utilizarse en un circuito de alimentación que tenga una capacidad nominal de menos de 150 V:

Si la máquina está diseñada para utilizarse en un circuito que tenga un tomacorriente parecido al que se ilustra en la Fig. A, la máquina tendrá un enchufe de conexión a tierra que se parece al enchufe ilustrado en la Fig. A. Puede utilizarse un adaptador temporal, que se parece al adaptador ilustrado en la Fig. B, para conectar este enchufe a un receptáculo coincidente de dos conductores, tal como se muestra en la Fig. B, si no se dispone de un tomacorriente conectado a tierra apropiadamente. El adaptador temporal debe utilizarse solamente hasta que un electricista calificado pueda instalar un tomacorriente conectado a tierra apropiadamente. La orejeta, lengüeta, etc., rígida de color verde que sobresale del adaptador debe conectarse a una toma de tierra permanente, como por ejemplo una caja tomacorriente conectada a tierra adecuadamente. Siempre que se utilice un adaptador, debe sujetarse en su sitio con un tornillo de metal.

NOTA: En Canadá, el uso de un adaptador temporal no está permitido por el Código Eléctrico Canadiense.

⚠ PELIGRO En todos los casos, asegúrese de que el receptáculo en cuestión esté conectado a tierra adecuadamente. Si no está seguro, haga que un electricista calificado compruebe el receptáculo.

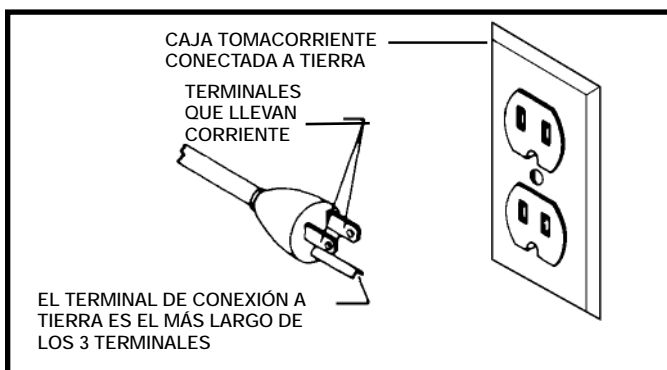


Fig. A

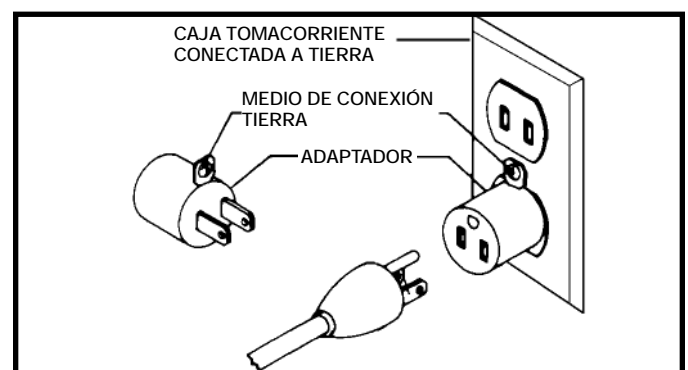


Fig. B

CORDONES DE EXTENSIÓN

⚠ ADVERTENCIA Utilice cordones de extensión apropiados. Asegúrese de que el cordón de extensión esté en buenas condiciones y de que sea un cordón de extensión de tres alambres que tenga un enchufe de tipo de conexión a tierra con tres terminales y un receptáculo coincidente que acepte el enchufe de la máquina. Cuando utilice un cordón de extensión, asegúrese de emplear un cordón que sea lo suficientemente pesado como para llevar la corriente de la máquina. Un cordón de tamaño insuficiente causará una caída de la tensión de la línea eléctrica que dará como resultado pérdida de potencia y recalentamiento. En la Fig. D1 se muestra el calibre correcto que debe utilizarse dependiendo de la longitud del cordón. En caso de duda, utilice el siguiente calibre más pesado. Cuanto más pequeño sea el número de calibre, más pesado será el cordón.

CORDÓN DE EXTENSIÓN DE CALIBRE MÍNIMO			
TAMAÑOS RECOMENDADOS PARA USO CON MÁQUINAS ELÉCTRICAS ESTACIONARIAS			
Capacidad Nominal En Amperios	Voltios	Longitud Total Del Cordón En Pies	Calibre Del Cordón De Extensión
0-6	120	Hasta 25	18 AWG
0-6	120	25-50	16 AWG
0-6	120	50-100	16 AWG
0-6	120	100-150	14 AWG
6-10	120	Hasta 25	18 AWG
6-10	120	25-50	16 AWG
6-10	120	50-100	14 AWG
6-10	120	100-150	12 AWG
10-12	120	Hasta 25	16 AWG
10-12	120	25-50	16 AWG
10-12	120	50-100	14 AWG
10-12	120	100-150	12 AWG
12-16	120	Hasta 25	14 AWG
12-16	120	25-50	12 AWG
12-16	120	GREATER THAN 50 FEET NOT RECOMMENDED	

Fig. D-1

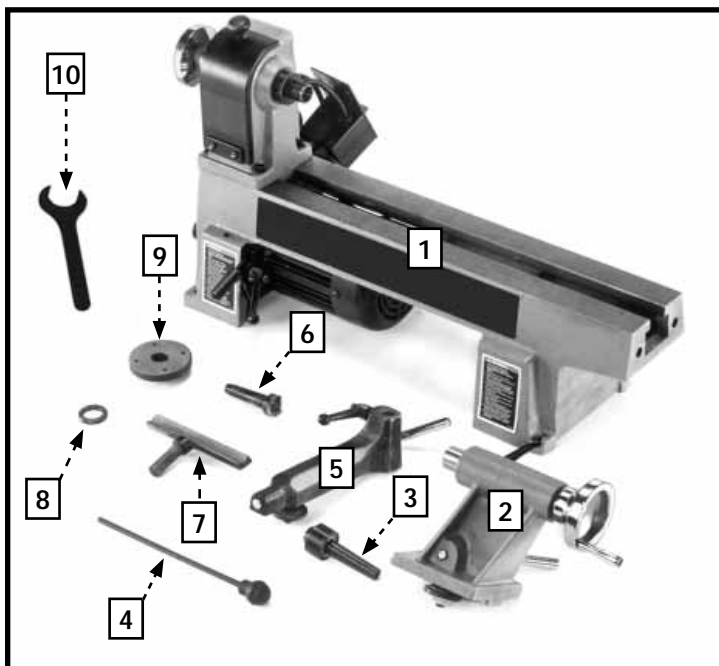
DESCRIPCIÓN FUNCIONAL

PROLOGO

El modelo LA200 de DELTA es un torno estable y compacto para madera que tiene un motor poderoso de 1/2 HP y 1.725 rpm. Este torno girará objetos de hasta 254 mm (10") de diámetro sobre la bancada y de hasta 152 mm (6") de diámetro sobre la base del soporte de la herramienta con una distancia máxima entre los centros y la extensión opcional de la bancada de 94 cm (37").

REMARQUE : La photo de la couverture du mode d'emploi illustre le modèle de production actuel. Les autres illustrations de ce mode d'emploi ne sont présentes qu'à titre indicatif et il est possible que les étiquettes et accessoires actuels diffèrent des caractéristiques réelles de ce modèle. Ces illustrations ont uniquement pour but d'illustrer la technique.

CONTENIDO DE CARTON



1. Torno
2. Cabezal móvil
3. Centro giratorio
4. Barra de extracción
5. Base del soporte de la herramienta
6. Centro de dientes rectos
7. Soporte de la herramienta
8. Espaciador
9. Placa frontal
10. Llave de tuercas

DESEMPAQUETADO Y LIMPIEZA

Desembale cuidadosamente la máquina y todos los elementos sueltos del o los contenedores de envío. Retire el aceite anticorrosivo de las superficies sin pintura con un paño suave humedecido con alcohol mineral, solvente o alcohol desnaturalizado.

⚠ PRECAUCIÓN No use solventes volátiles como gasolina, nafta, acetona o solvente de barniz para limpiar la máquina.

Luego de limpiar, cubra las superficies sin pintura con cera en pasta de buena calidad que se utiliza para los pisos del hogar.

ENSAMBLAJE

⚠ ADVERTENCIA Para su propia seguridad, no conecte la máquina a la fuente de energía hasta que la máquina haya sido ensamblada por completo y usted haya leído y entendido completamente el manual del propietario.

HERRAMIENTAS DE ENSAMBLAJE REQUERIDAS

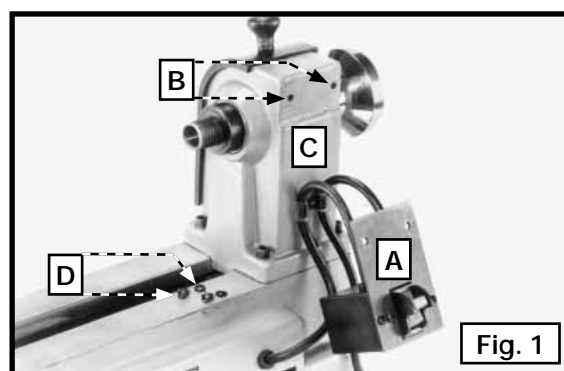
Llave de boca (suministrada)
Destornillador Phillips (no suministrado)

ESTIMACIÓN DEL TIEMPO DE ENSAMBLAJE

La asamblea para esta máquina toma aproximadamente 30 minutos.

COLOCACIÓN DEL INTERRUPTOR DE ENCENDIDO/APAGADO

Para evitar que el interruptor de ENCENDIDO/APAGADO se dañe, el torno se envía con el soporte del interruptor separado. Coloque el soporte del interruptor en posición vertical. Alinee los dos orificios del soporte del interruptor (A), Fig. 1, con los dos orificios (B) en la parte trasera de la contrapunta (C). Acople el soporte del interruptor (A) a la máquina con dos tornillos de cabeza troncocónica (D) y arandelas de bloqueo (Fig. 2).

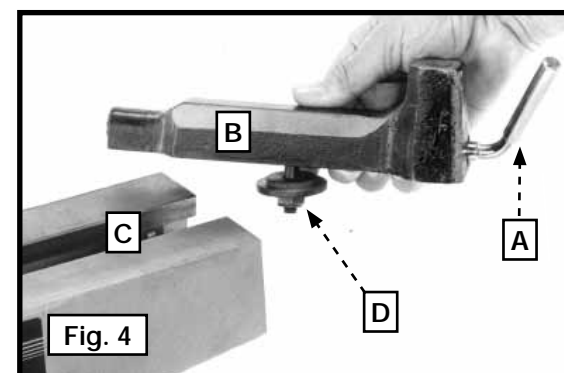
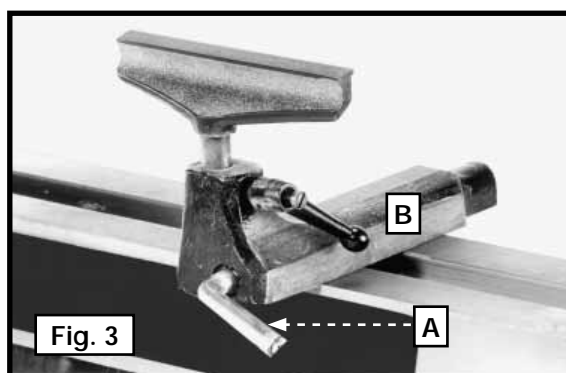
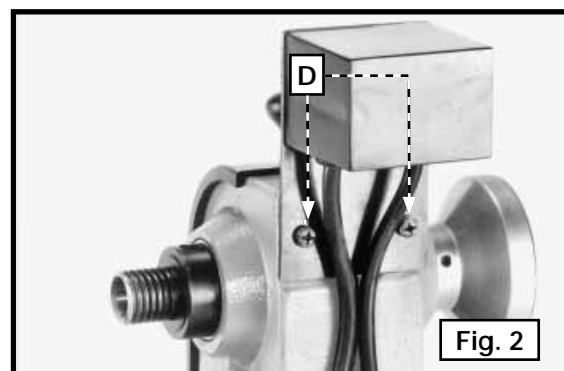


COLOCACIÓN DEL SOPORTE DE LA HERRAMIENTA EN LA BANCADA DEL TORNO

1. Afloje la palanca de bloqueo (A) Fig. 3. Deslice la base del soporte de la herramienta (B) en el canal de la bancada del torno (C) Fig. 4.

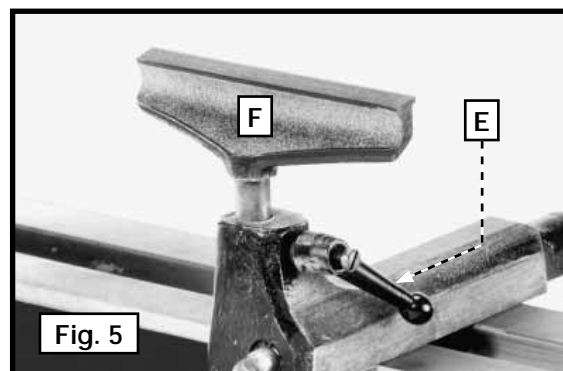
NOTA: Si la base del soporte de la herramienta no se desliza fácilmente en el canal de la bancada del torno, gire la base del soporte de la herramienta y afloje la tuerca de seguridad (D) Fig. 3. Ajuste la palanca de bloqueo (A), Fig. 4, con firmeza.

2. **IMPORTANTE:** Si la acción de sujeción de la base del soporte de la herramienta (B), Fig. 4, en la bancada del torno está demasiado ajustada o demasiado floja, retire la base y gire la tuerca (D), Fig. 4, en el sentido de las agujas del reloj para ajustar la acción de sujeción o en sentido contrario a las agujas del reloj para aflojar la acción de sujeción. Acople la base del soporte de la herramienta a la bancada de la herramienta.



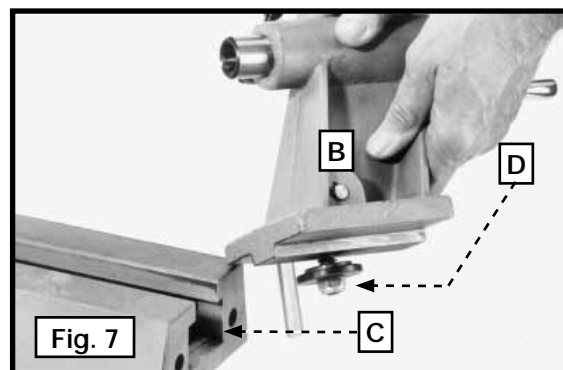
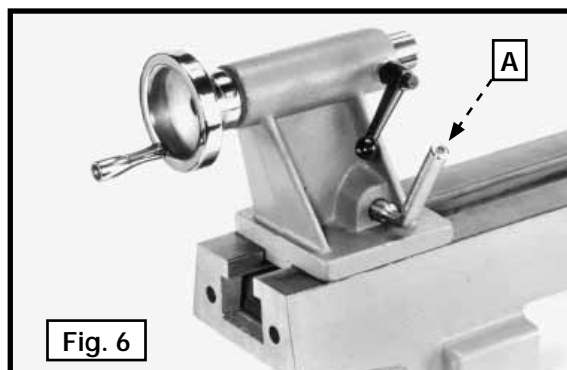
3. Afloje la palanca de bloqueo (E), Fig.5, e introduzca el soporte de la herramienta (F) en la base del soporte de la herramienta.

NOTA: Para ajustar la altura del soporte de la herramienta, afloje la palanca de bloqueo (E). Una vez realizado el ajuste, tense nuevamente la palanca de bloqueo.



COLOCACIÓN DEL CABEZAL MÓVIL EN LA BANCADA DEL TORNO

1. Afloje la palanca de bloqueo (A), Fig. 6, y deslice el conjunto del cabezal móvil (B), Fig. 7, en el canal (C) de la bancada del torno.
2. **IMPORTANTE:** Si la acción de sujeción del cabezal móvil (B), Fig. 7, en la bancada del torno está demasiado ajustada o demasiado floja, retire el cabezal móvil y gire la tuerca (D), Fig. 7, en el sentido de las agujas del reloj para ajustar la acción de sujeción o en sentido contrario a las agujas del reloj para aflojar la acción de sujeción. Acople el cabezal móvil a la bancada del torno y ajuste la palanca de bloqueo (A), Fig. 6.



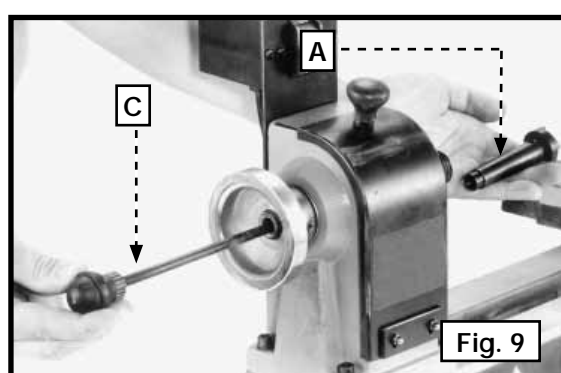
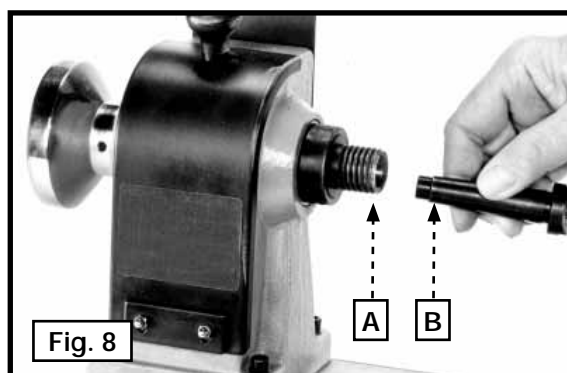
COLOCACIÓN DEL CENTRO DE DIENTES RECTOS DE LA CONTRAPUNTA EN EL TORNO

1. El centro de dientes rectos suministrado (A), Fig. 8, está equipado con un cono Morse N°2 (B). El cono Morse encajará justo en el eje de la contrapunta.

NOTA: Antes de insertar el cono y el eje de la contrapunta, límpielos para retirar la grasa y la suciedad.

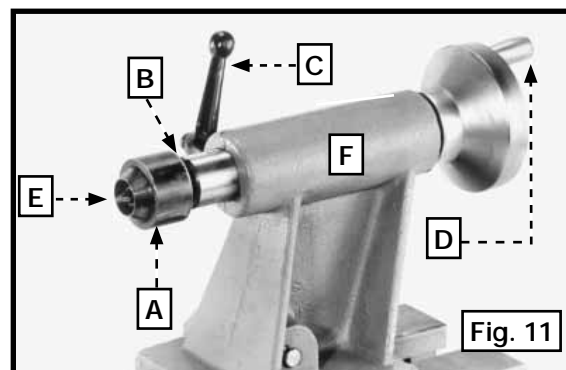
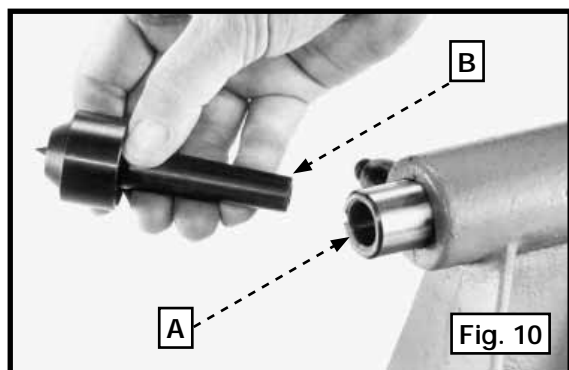
2. Introduzca la barra de extracción (C), Fig. 9, a través del orificio en el extremo opuesto del eje para retirar el centro de dientes rectos (A).

⚠ PRECAUCIÓN Tenga cuidado con las puntas filosas del centro de dientes rectos.



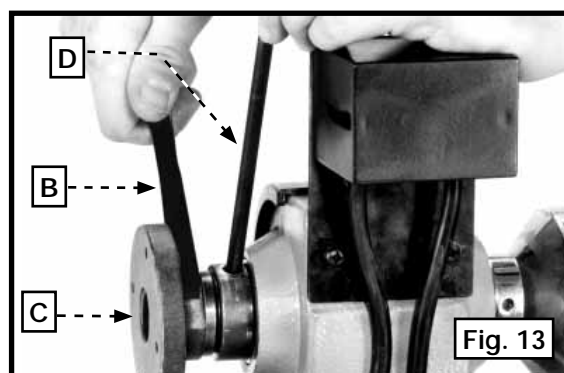
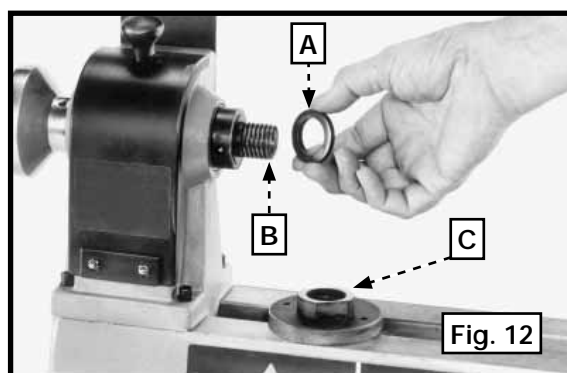
COLOCACIÓN DEL CENTRO GIRATORIO EN EL CABEZAL MÓVIL

El centro giratorio para el cabezal móvil suministrado (A), Fig. 10, está equipado con un cono Morse N°2 (B). Este centro viene insertado en el eje del cabezal móvil. Para retirar el centro giratorio (A), Fig. 11, del eje del cabezal móvil, afloje la perilla de bloqueo (C) y gire el volante (D) para empujar el centro giratorio (A) fuera del eje (B). Introduzca la barra de extracción a través del cabezal móvil hueco (F) para retirar la punta central (E).



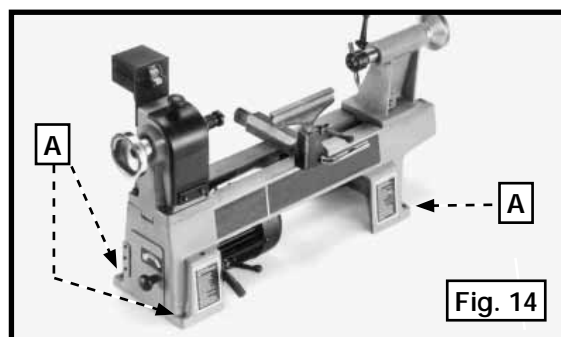
Para usar la placa frontal para realizar torneados internos, monte la placa frontal en el eje de la contrapunta (se muestra sin la pieza de trabajo para mayor claridad).

1. Instale el espaciador (A), Fig. 12, en el eje de la contrapunta (B).
2. Enrosque la placa frontal (C), Fig. 13, en el eje. Introduzca la barra de extracción (D) en el orificio del eje para evitar que gire. Ajuste la placa frontal (C) en los planos del eje con la llave suministrada (B).



FIJACIÓN DEL TORNO A UNA SUPERFICIE DE APOYO

Debe sujetar el torno para madera a una superficie de apoyo. En la base del torno, se suministran cuatro orificios para montaje (tres de los cuales se muestran en la Fig. 14, (A)).



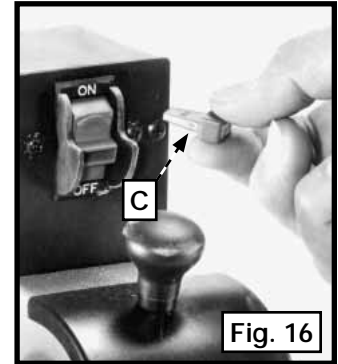
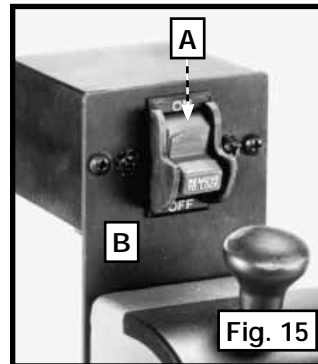
OPERACIÓN

CONTROLES Y AJUSTES OPERACIONALES

ENCENDIDO Y APAGADO DEL TORNO

El interruptor de encendido/apagado (A), Fig. 15, se halla en el soporte (B) que previamente se acopló a la parte posterior de la contrapunta. Para encender el torno, mueva el interruptor (A) hacia arriba, a la posición de encendido ("ON"). Para apagar el torno, mueva el interruptor (A) hacia abajo, a la posición de apagado ("OFF").

⚠ ADVERTENCIA Asegúrese de que el interruptor esté en la posición de apagado ("OFF") antes de enchufar el cable de alimentación. En caso de producirse un corte de corriente, mueva el interruptor a la posición de apagado ("OFF"). Un arranque accidental podría causar lesiones.



BLOQUEO DEL INTERRUPTOR EN LA POSICIÓN DE APAGADO ("OFF")

IMPORTANTE: Cuando no utilice la herramienta, bloquee el interruptor en la posición de apagado ("OFF") para prevenir el uso no autorizado. Para bloquear la máquina, tome la palanca del interruptor (C), Fig. 16, y tire de ésta hacia fuera del interruptor. Al quitar la palanca del interruptor (C), éste no funcionará. Sin embargo, si se extrajera la palanca del interruptor mientras el torno está funcionando, la máquina se puede "APAGAR" y no se puede volver a encender sin reinsertar la palanca del interruptor (C).

⚠ ADVERTENCIA En el caso de producirse un corte eléctrico (por ejemplo, por un interruptor o fusible quemado), bloquee siempre el interruptor en la posición de apagado ("OFF") hasta que se restablezca la energía principal.

VELOCIDADES DEL EJE

Este torno para madera es capaz de suministrar velocidades de 500, 800, 1.250, 1.800, 2.650 y 3.700 RPM.

CAMBIO DE LAS VELOCIDADES DEL EJE

El torno para madera posee una polea de eje y una polea de motor de seis pasos para suministrar las diferentes velocidades de eje que requieren las diferentes aplicaciones de torneado. Para cambiar velocidades:

⚠ ADVERTENCIA ¡Desconecte la máquina de la fuente del poder!

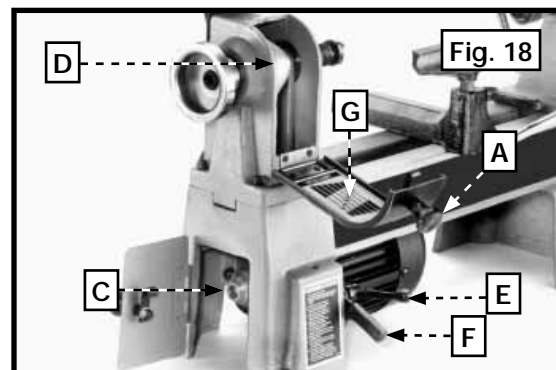
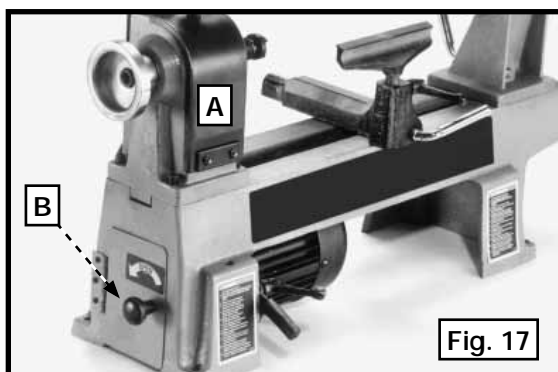
1. Abra las puertas (A) y (B), Fig. 17, para obtener acceso a la polea del motor (C), Figuras 19 y 20, y a la polea del eje (D), Figuras 18 y 20.
2. Afloje la palanca de bloqueo (E), Fig. 18. Levante la palanca (F), Fig. 18, y ajuste la palanca de bloqueo (E) para permitir que la correa impulsora mueva las poleas.

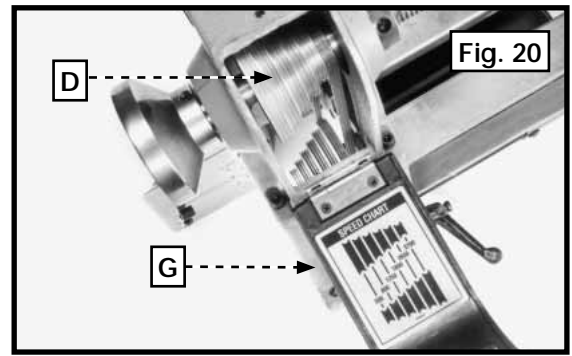
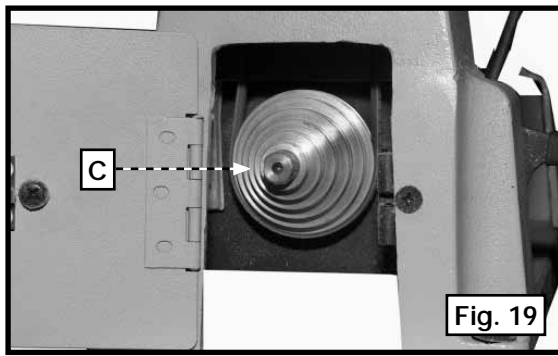
IMPORTANTE: En la cara interna de la puerta (A), Fig. 17, encontrará un cuadro sobre las posiciones de la correa y la velocidad (A), Figuras 18 y 20, que le permitirá ubicar la correa correctamente.

3. Mientras sostiene la palanca (F), Fig. 18, afloje la palanca de bloqueo (E). Baje el motor.

NOTA: Antes de volver a ajustar la palanca de bloqueo, presione el motor hacia abajo con firmeza (para tensar la correa impulsora).

4. Ajuste la palanca de bloqueo (E).



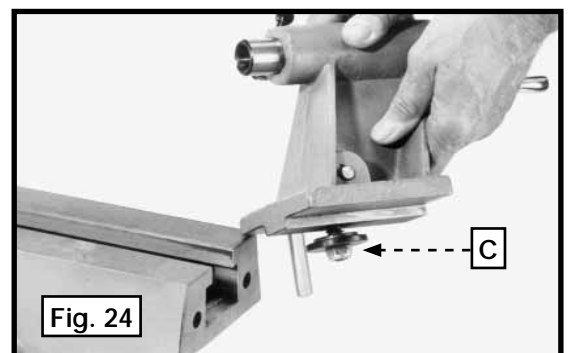
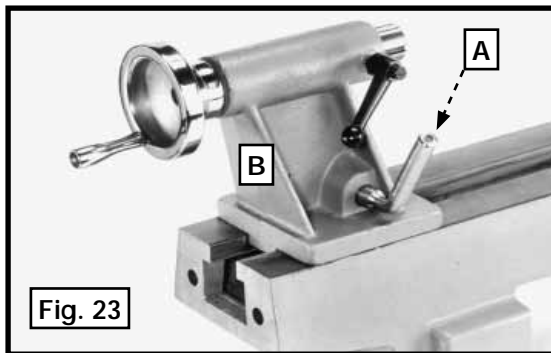
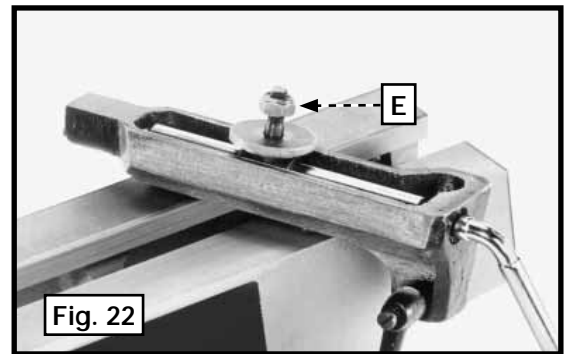
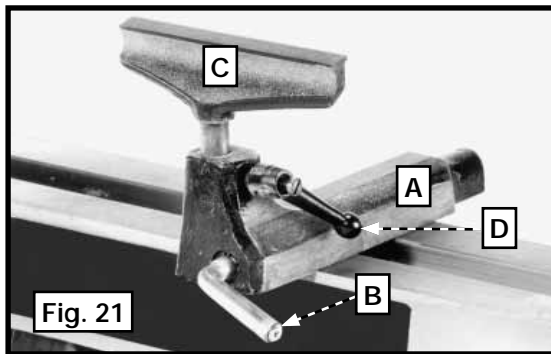


AJUSTE DEL SOPORTE DE LA HERRAMIENTA

⚠ ADVERTENCIA ¡Desconecte la máquina de la fuente del poder!

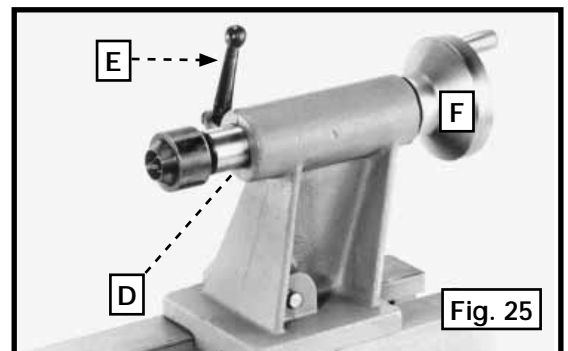
Para la mayoría de las aplicaciones, ubique el soporte de la herramienta tan cerca de la pieza de trabajo como sea posible y aproximadamente a 3,2 mm (1/8") por encima de la línea central de la pieza de trabajo.

1. Para ubicar la base del soporte de la herramienta (A), Fig. 21, a lo largo de la bancada del torno, afloje la palanca de bloqueo (B), deslice la base del soporte de la herramienta hasta la posición deseada y ajuste la palanca (B).
2. Para ajustar la altura del soporte de la herramienta (C), Fig. 21, afloje la palanca (D), levante o baje el soporte de la herramienta y ajuste la palanca (D).
3. Para regular el dispositivo de sujeción de la base del soporte de la herramienta, puede girar la tuerca (E) en el sentido de las agujas del reloj para ajustar la acción de sujeción o puede girarla en el sentido contrario para aflojar la acción de sujeción.



AJUSTE DEL CABEZAL MÓVIL

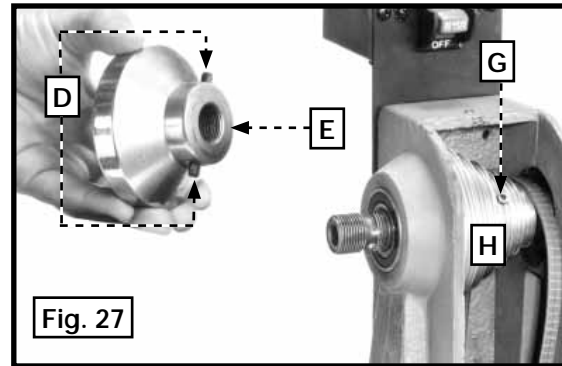
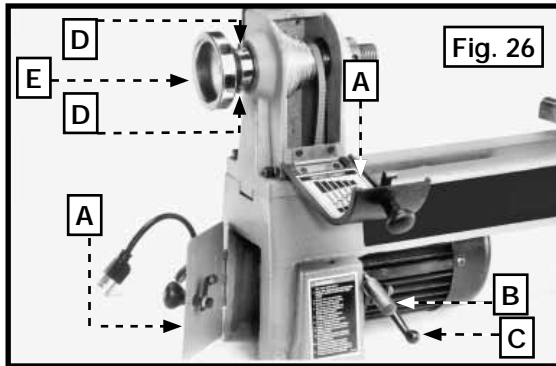
1. Para deslizar el cabezal móvil a lo largo de la bancada del torno, afloje la palanca de bloqueo (A), Fig. 23. Deslice el cabezal móvil (B) a la posición deseada y ajuste la palanca (A). El dispositivo de sujeción del cabezal móvil se instaló en forma previa al envío. No obstante, si la acción de sujeción necesita ser ajustada, retire el cabezal móvil y ajuste (o afloje) la tuerca (C), Fig. 24, en la parte inferior del cabezal móvil. Vuelva a acoplar el cabezal móvil a la bancada del torno.
2. Para mover el carro (D), Fig. 25, hacia adentro y hacia fuera, afloje la palanca de bloqueo (E) y gire el volante (F). Una vez que ajuste el carro (D), ajuste la palanca (E).



NOTA: El recorrido total del carro (D) oscila entre 0 mm y 38 mm (0" y 1-1/2").

REEMPLAZO DE LA CORREA IMPULSORA

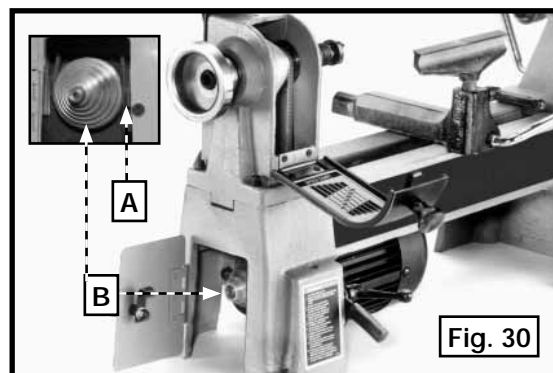
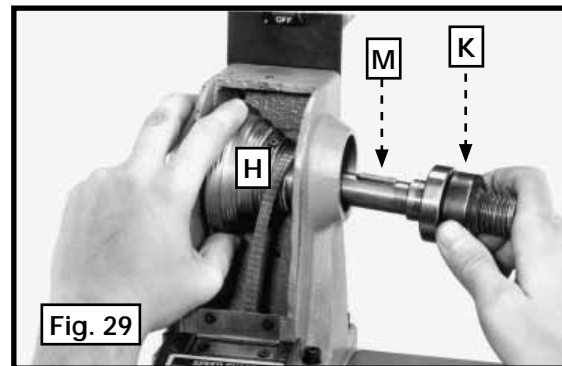
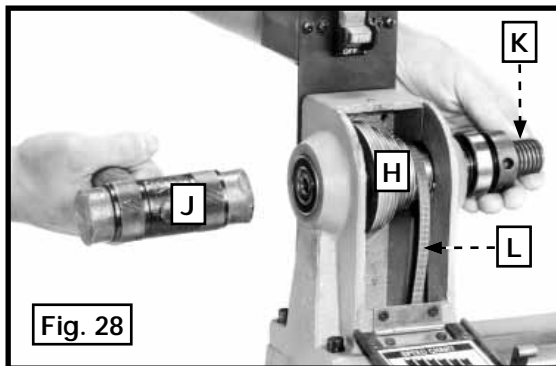
1. Abra las dos puertas (A), Fig. 26.
2. Sostenga el mango (B), Fig. 26, y afloje la palanca de bloqueo (C). Tire del mango hacia arriba (B) para eliminar la tensión de la correa impulsora y luego ajuste la palanca de bloqueo (C).
3. Afloje los dos tornillos de bloqueo (D), Figuras 26 y 27, y retire el volante (E).
4. Afloje los tornillos de fijación (G), Fig. 27, de la polea del eje (H).



5. Use un mazo blando (J), Fig. 28, para golpear el eje ligeramente y con cuidado (K) a través del cojinete. Golpéelo lo suficiente para mover el eje hacia la derecha para retirar la polea del eje (H) y el eje (K), Fig. 29.

IMPORTANTE: Tenga cuidado de no dejar caer el pasador metálico (M), Fig. 29, en el centro de la polea del eje (H).

6. Retire la correa impulsora (A), Fig. 30, de la polea del motor (B).
7. Reemplace el conjunto de la correa impulsora y el eje en orden inverso. Ejerza presión adecuada sobre la correa impulsora. Consulte la sección "CAMBIO DE LAS VELOCIDADES DEL EJE".
8. **IMPORTANTE:** Cuando acople el eje y el volante, ajuste los tornillos de fijación de la polea del eje contra la superficie plana del eje. Controle que la polea del eje esté alineada con la polea del motor. De ser necesario, realice un ajuste.

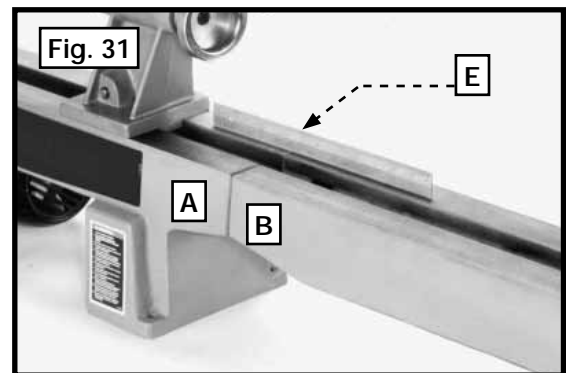
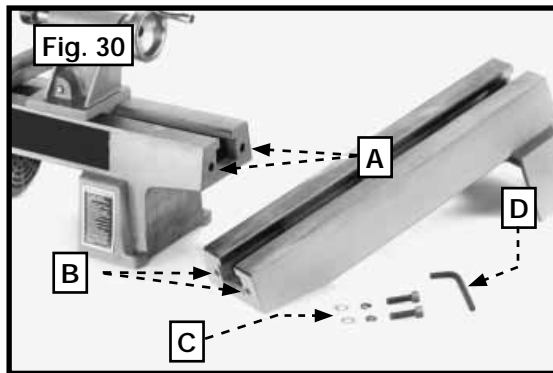


COLOCACIÓN DE LA EXTENSIÓN DE LA BANCADA

⚠ ADVERTENCIA ¡Desconecte la máquina de la fuente del poder!

El largo total de la bancada del torno (de centro a centro) puede aumentar 94 cm (37") mediante la compra y la instalación de un accesorio para extender la bancada. Para acoplar la extensión de la bancada al torno:

1. Alinee los dos orificios en el extremo de la bancada del torno (A), Fig. 30, con los dos orificios (B) en el extremo de la extensión de la bancada. Con la llave suministrada (D), sujete la extensión a la bancada del torno con dos tornillos de cabeza hexagonal M10 x 40 x 38 mm (1-1/2"), arandelas de bloqueo y arandelas planas (C).
2. **IMPORTANTE:** Antes de ajustar los tornillos, use una regla (E), Fig. 33, para nivelar la bancada del torno (A) con la extensión de la bancada (B).



UTILIZAR LA MAQUINA

Las siguientes directivas le proporcionarán al operador inexperto un punto de comienzo para familiarizarse con las operaciones típicas que se realizan con un torno. Practique con material de descarte antes de trabajar con una pieza de trabajo auténtica.

TORNOS

Las herramientas de torneado de madera vienen en varias configuraciones diferentes (Fig. A1). La mayoría de las aplicaciones de torneado requerirán una gubia (A), Fig. A1. Use este cincel hueco de punta redonda para los desbastes, los cortes cóncavos y otras operaciones. El cincel para sesgar (B) es un cincel plano de doble bisel, con un extremo en ángulo. Use esta herramienta para pulir cilindros, cortar hombros y ranuras en V, realizar cortes convexos, etc. El escoplo (C) es un cincel de doble bisel que se utiliza para cortar o para realizar incisiones o cortes de diámetros específicos. Use el raspador de punta redonda (D) para la mayoría de los trabajos de ahuecamiento y el raspador de punta cuadrada para la parte externa de los recipientes.



Fig. A1

CÓMO TORNEAR EJES

El torneado de ejes es el torneado de la pieza de trabajo acoplada a los centros del torno y se utiliza para hacer las patas de sillas y mesas, las bases de las lámparas, etc. Para el torneado de ejes, puede usar una técnica de corte o de raspado. La técnica de corte es el método preferido debido a que elimina la madera con mayor rapidez y deja la superficie más limpia.

CENTRADO DE LA PIEZA DE TRABAJO

El trozo de madera para el torneado de un eje debe ser aproximadamente cuadrado, y los extremos deben ser perpendiculares a los lados. Los dos métodos más comunes para determinar el centro de una pieza de trabajo se muestran en las Figuras A2 y A3. En la Fig. A2, se observa que en cada uno de los cuatro lados se ha resaltado una distancia de aproximadamente la mitad del ancho de la pieza que se va a trabajar. Luego se puede usar el cuadrado pequeño resaltado en el centro para marcar el verdadero centro. El método diagonal, Fig. A3, consiste en determinar el centro de la pieza de trabajo mediante la intersección que se forma del trazado de líneas de esquina a esquina.



Fig. A2

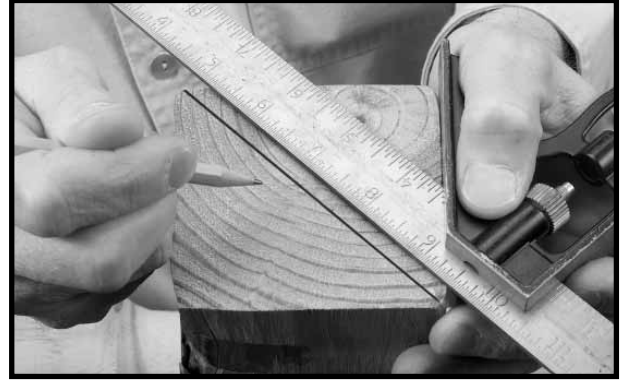


Fig. A3

Una vez que ha marcado el centro, marque el verdadero centro con un punzón o un compás de puntas secas (Fig. A4). Si el material es madera dura, perforo centros de 3,2 mm (1/8") de profundidad aproximadamente. Coloque el centro de dientes rectos o el centro giratorio contra uno de los extremos de la pieza de trabajo y golpéelo con un mazo blando para asentarlo (Fig. A5). Cuando utilice madera dura, realice cortes con sierra en las líneas diagonales y perforo un orificio pequeño en la intersección a fin de realizar un asentamiento inicial para el centro de dientes rectos. Después de accionar el centro, sostenga el centro y la pieza de trabajo juntos y encájelos de inmediato en el eje de la contrapunta. Si no está utilizando un centro de rodamiento, lubrique el extremo de la pieza de trabajo en el centro del cabezal móvil. Coloque el lubricante en la madera antes o después de colocarla en el torno. Muchos torneros usan cera de abeja, sebo o una mezcla de aceite y cera como lubricante. Un centro de rodamiento es ideal porque elimina la necesidad de lubricación. Si planea quitar la pieza de trabajo del torno antes de completar la tarea, haga una marca indicadora como una guía para volver a centrar la pieza (Fig. A6). Se puede establecer un indicador permanente mediante el pulido de una de las esquinas de los dientes rectos.

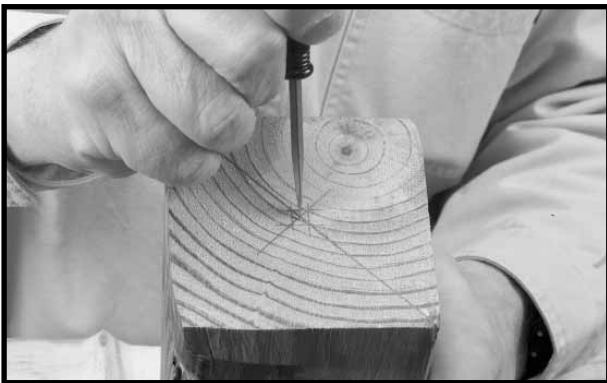


Fig. A4



Fig. A5

MONTAJE DE LA PIEZA DE TRABAJO

Para montar la pieza de trabajo, mueva el cabezal móvil a una distancia que oscile entre 25,4 mm (1") y 38 mm (1-1/2") desde el extremo de la pieza de trabajo, y trábelo en esa posición. Luego, gire el volante de alimentación hasta que el centro fijo haga contacto con la pieza de trabajo para que avance el centro del cabezal móvil. No apoye la pieza de trabajo solamente en la clavija central. Incruste siempre el borde del centro fijo por lo menos 3,2 mm (1/8") dentro de la pieza de trabajo. Siga avanzando el centro mientras rota lentamente la pieza de trabajo a mano. Cuando la rotación de la pieza de trabajo se dificulta, disminuya el avance aproximadamente un cuarto de vuelta y trabe el eje del cabezal móvil.



Fig. A6

POSICIÓN DEL SOPORTE DE LA HERRAMIENTA

Monte el soporte de la herramienta aproximadamente a 3,2 mm (1/8") de la pieza de trabajo y a 3,2 mm (1/8") por encima de la línea central de la pieza de trabajo.(Fig. A7). Esta posición puede variar para adecuarse a la pieza de trabajo y al operador. Coloque una marca de guía en el vástago del soporte de la herramienta como una ayuda para poder volver a posicionar la pieza de trabajo en forma rápida y precisa.

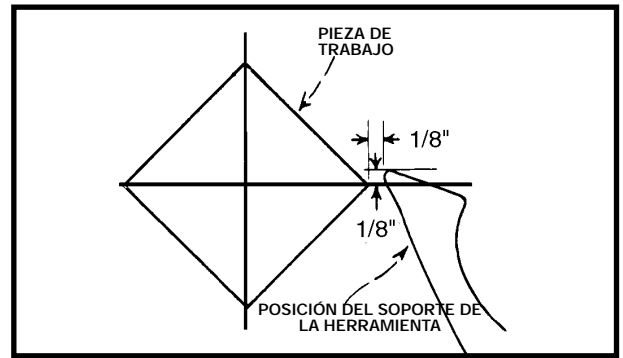


Fig. A7



Fig. A8



Fig. A9

DESBASTE DE UN CILINDRO

En el primer torneado, use la gubia grande para pulir las esquinas filosas de la pieza de trabajo. Opere el torno a baja velocidad y sostenga la gubia como se muestra en la Fig. A8. Comience el corte aproximadamente a 51 mm (2") del extremo del cabezal móvil y continúe hasta el final del cabezal móvil. Comience la segunda pasada aproximadamente entre 51 mm (2") y 76 mm (3") a la izquierda del primer corte. Avance nuevamente hacia el cabezal móvil y funda el corte con el corte anterior. Hacia la parte final del centro giratorio, enrolle la gubia en la dirección opuesta (Fig. A9) para llevar el corte fuera del extremo del centro giratorio de la pieza de trabajo. No realice el corte de desbaste en un movimiento continuo. Esta acción desprendería astillas largas de las esquinas de la pieza de trabajo. Tampoco debe comenzar el corte directamente en el extremo del material. Puede realizar el corte en forma segura desde el centro de la pieza de trabajo hacia y fuera de cualquiera de los extremos una vez que ha realizado los cortes de desbaste.

La posición de la gubia involucra dos o tres ángulos importantes. (1) Puede avanzar la herramienta a lo largo de la pieza de trabajo desde la derecha o desde la izquierda. Es preferible que lo haga de izquierda a derecha (desde la contrapunta al cabezal móvil), ya que este movimiento arroja las astillas en dirección opuesta a usted. (2) A medida que realiza el corte, haga rodar la gubia levemente en la misma dirección. (3) Sostenga bien la herramienta sobre la pieza de trabajo, con el bisel o la tangente de pulido en dirección a la superficie giratoria (Fig. A10). Esta posición proporcionará un corte limpio. Cuando se empuja la gubia sobre la pieza de trabajo (Fig. A10), ésta tiene una acción de raspado (por lo general, una práctica deficiente en el torneado de ejes). Continúe el corte de desbaste hasta que el diámetro de la pieza de trabajo esté aproximadamente a 3,2 mm (1/8") del diámetro requerido. Una vez que logró una forma cilíndrica, puede cambiar la velocidad de torneado a la segunda o tercera configuración.

NOTA: Continúe moviendo el soporte de la herramienta hacia adentro, en dirección a la pieza de trabajo, para mantener una distancia segura entre los dos elementos.

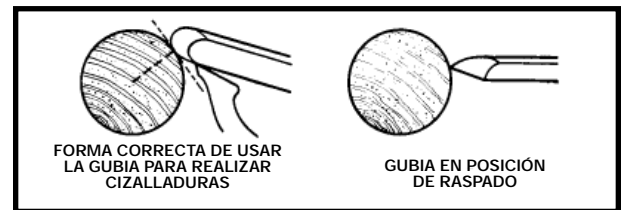


Fig. A10

POSICIÓN DE LAS MANOS

Sostenga el mango de la herramienta en una posición natural. La posición de las manos proporciona un efecto de palanca para la herramienta al mover el cincel hacia adentro y hacia fuera. La posición de la mano que maneja el soporte de la herramienta es una cuestión de preferencia personal más que una cuestión de posición "correcta" o posición "determinada". Sin embargo, generalmente se considera que el agarre con la palma hacia arriba es mejor (Fig. A11). En esta posición, el dedo índice actúa como una guía al deslizarse a lo largo del soporte de la herramienta mientras usted realiza el corte.

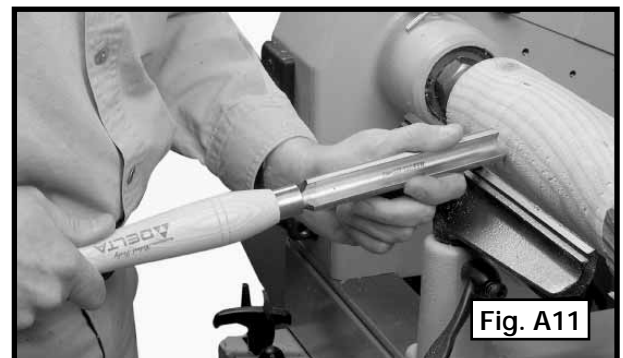


Fig. A11



Fig. A12

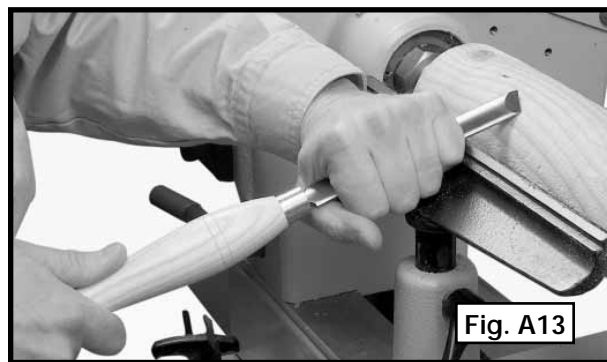


Fig. A13



Fig. A14

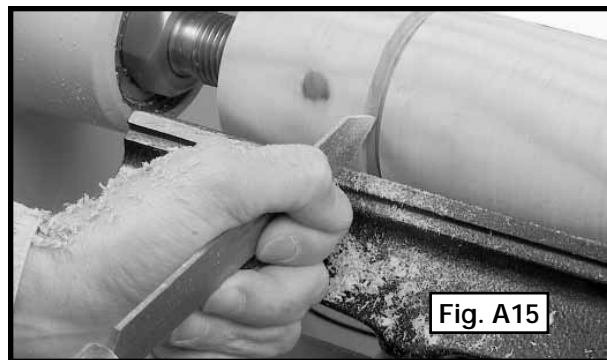


Fig. A15



Fig. A16

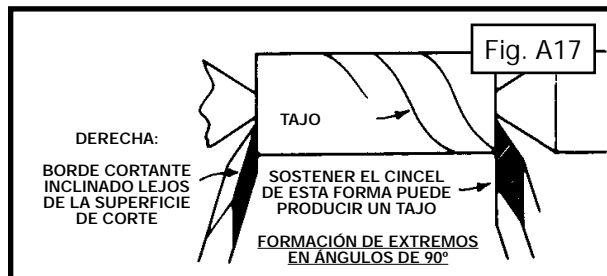


Fig. A17

La posición alternativa corresponde al agarre con la palma hacia abajo (Fig. A12). En esta posición, la parte inferior de la palma de la mano o el dedo meñique actúa como guía. El agarre con la palma hacia abajo proporciona una posición sólida y positiva, excelente para los desbastes y los cortes pesados. La mayoría de los principiantes comienzan con la posición de agarre con la palma hacia abajo y luego cambian a la posición de agarre con la palma hacia arriba para lograr un menor manejo del cincel.

PULIDO DE UN CILINDRO

Para pulir un cilindro, utilice un cincel para sesgar. Esta acción requiere práctica, pero la experiencia con esta herramienta es muy importante también. Coloque la punta de corte cerca del centro del cincel y alta sobre la pieza de trabajo (Fig. A13). Con frecuencia, al esforzarse por lograr una posición determinada en relación con la pieza de trabajo, el principiante pasa por alto este punto de suma importancia. Levantar el mango aumentará la profundidad de corte, en tanto que bajar el mango produce el efecto contrario. Como con la gubia, puede avanzar el cincel para sesgar en cualquier dirección. El centro del mango para sesgar hasta la base realiza el corte propiamente dicho. La parte posterior del pulidor o bisel sostiene la herramienta, mientras que la mano en el mango controla la profundidad de corte al oscilar el cincel en este punto pivote. Por esta razón, use el escoplo para mantener el bisel para

SESGAR COMPLETAMENTE HORIZONTAL.

Posiblemente, el escoplo sea la herramienta de torneado más fácil de manejar. Simplemente presione la herramienta de raspado en la pieza de trabajo (Fig. A14). Si sostiene el mango bajo, logrará una mejor acción de corte. En muchos casos, puede sostener la herramienta con una mano mientras con la otra sostiene un compás de gruesos en la ranura de corte. Cuando los cortes que debe realizar con el escoplo son profundos, corte a lo largo del primer corte (Fig. A15) para evitar que la punta de la herramienta se

FORMACIÓN DE EXTREMOS EN ÁNGULOS DE 90°

Puede usar el escoplo para escuadrar extremos. Si bien el escoplo es una herramienta para desbaste, luego puede pulir el corte con un cincel para sesgar. No obstante, la operación completa se puede realizar con el cincel para sesgar. Cuando use el cincel para sesgar, realice el primer corte de muescas con la punta del cincel para sesgar (Fig. A16). Realizar aquí un corte profundo podría quemar el cincel. Para evitar esto, incline el cincel lejos del primer corte y presione la herramienta hacia la pieza de trabajo, y realice un corte de paso. Continúe con este procedimiento de corte lateral y corte de paso tanto como sea necesario.

NOTA: Dado que el cincel para sesgar se puede presionar sobre la madera en cualquier dirección, debe inclinar el borde cortante ligeramente alejado de este plano. Si todo el borde cortante del cincel para sesgar se apoya sobre la superficie de corte, la herramienta tenderá a realizar un corte. Consulte la Fig. A17 para conocer la forma correcta para realizar el corte. Presione el cincel directamente sobre la pieza de trabajo e incline el borde cortante lejos de la superficie de corte. Para realizar este corte, use solamente el extremo de la punta de la herramienta. Usará este método de manejo del cincel para sesgar con frecuencia para cortar hombros y realizar cortes convexos y en V.

CORTE DE UN HOMBRO

Primero use el escoplo para reducir el diámetro de la madera aproximadamente a 1,6 mm (1/16") del diámetro requerido (Fig. A18). Limpie el desperdicio de material de la gubia (Fig. A19) y luego use el cincel para sesgar (Fig. A20) para realizar el corte del hombro propiamente dicho (duplicación de la formación de ángulos rectos en un extremo). Use el cincel para sesgar para realizar el corte horizontal, pero de manera diferente a la usada para trabajar un cilindro. Si el hombro es largo, para la parte externa del corte, use la posición común del cincel para sesgar. En el ángulo que se forma entre los cortes vertical y horizontal, mueva la base del cincel a una posición tangencial entre el cincel para sesgar y el cilindro (Fig. A21). Eleve el mango del cincel ligeramente para permitir que realice el corte mientras la herramienta se mueve a lo largo del soporte. Efectúe un corte muy leve para producir una pieza de trabajo uniforme. Si lo desea, puede usar la base del cincel para realizar el corte completo, pero no levante el corte directamente en el extremo del material, ni en esta posición ni en ninguna otra. Los cortes horizontales que se comienzan directamente en la parte final de la pieza de trabajo tenderán a morder la madera, lo que con frecuencia arruina la pieza completa. Siempre haga funcionar la herramienta lejos del extremo y no hacia éste. Cuando el corte de un hombro muy corto dificulte esta posición, use la posición de raspado horizontal. Si usa la técnica de corte, enganche solamente la base del cincel para sesgar en un corte muy leve. the heel of skew in a very light cut.

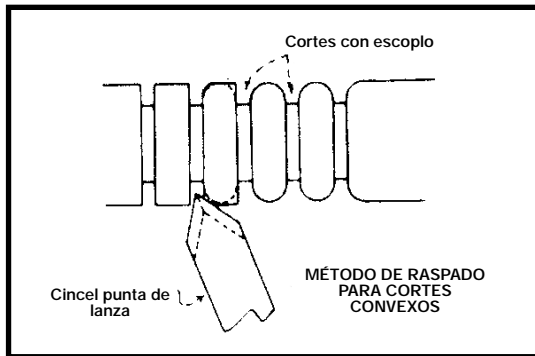


Fig. A22

CORTES CONVEXOS PEQUEÑOS

Los cortes convexos se pueden raspar o cortar. El cincel punta de lanza proporciona el método más fácil de raspado y trabaja bien los cortes convexos separados por cortes de escoplo (Fig. A22). El raspado es más lento que el corte y genera más suciedad, pero tiene la ventaja de proteger la pieza de trabajo de los cortes profundos.

Realizar cortes convexos en forma rápida y precisa con cinceles para sesgar pequeños es una de las operaciones más difíciles de torneado. Puede utilizar varios métodos de trabajo. Un método se basa en la incisión vertical en el punto donde las dos superficies curvas finalmente se unirán. Haga este corte con la base o con la punta del cincel para sesgar (la Fig. A23 muestra el uso de la punta). Coloque el cincel para sesgar en forma perpendicular a la pieza de trabajo. Al comienzo, coloque el cincel horizontalmente sobre su costado, y rótelo en forma pareja a través de las sucesivas etapas del corte (Figuras A24, A25 y A26). Al mismo tiempo, tire del cincel levemente hacia atrás para mantener el punto de corte. El corte completo se realiza con la base del cincel. El lado opuesto del corte convexo se corta de la misma forma; un solo corte sirve para producir la forma completa en cada instancia. Esta acción produce cortes convexos perfectamente parejos y pulidos. Es una técnica que vale la pena dominar.



Fig. A18



Fig. A19



Fig. A20



Fig. A21



Fig. A23



Fig. A24



Fig. A25



Fig. A26

RANURAS EN V

Cortar ranuras en V demanda una técnica muy parecida a la de cortes convexos, con la excepción de que el cincel para sesgar es articulado directamente en la pieza de trabajo sin rotación (Fig. A27). Sólo una mitad de la V se realiza con un solo corte, en tanto que es posible que se necesiten uno, dos o más cortes a cada lado para obtener la forma deseada. Como en todos los cortes con el cincel para sesgar, el bisel próximo al corte debe usarse como un fulcro. Tenga cuidado de no permitir que el cincel se enganche en la pieza de trabajo y realice un tajo. Puede hacer ranuras en V de la misma manera en que forma ángulos rectos en un extremo, con la punta del cincel para sesgar.



Fig. A27

CORTES LARGOS

Por lo general, las superficies convexas o rectas afiladas requieren cortes largos. En el caso de las superficies convexas, el método que se usa para los cortes de acabado se muestra en la Fig. A28. Gire la gubia del soporte de la herramienta de modo que esté inclinada en la dirección en que se moverá. El pulidor está tangente con la pieza de trabajo, y el punto central del borde cortante es el punto de contacto con la madera. A medida que el corte avanza hacia y alrededor del extremo de la curva, levante gradualmente el mango y gírelo hacia la de derecha (Fig. A29) para mantener la tangencia entre el pulidor y la pieza de trabajo.



Fig. A28



Fig. A29



Fig. A30

Las Figuras A30 y A31 muestran el corte de un rebajo largo con un cincel para sesgar. La operación se diferencia del lijado de un cilindro solamente en el comienzo del corte. Haga el corte inicial con la base (Fig. A30) para evitar que la herramienta se entierre en la pieza de trabajo. Con el movimiento descendente de la herramienta sobre la pieza de trabajo, tire del cincel hacia atrás para permitir que la punta central del borde cortante efectúe el corte. No obstante, puede realizar el rebajo completo con la base. Tenga cuidado de no realizar un corte muy profundo en el centro del rebajado. La dirección de corte es siempre en cuesta abajo.



Fig. A31

CORTES CÓNCAVOS

Luego del corte convexo perfecto, el corte cóncavo es el más difícil de aprender. Haga este corte con la gubia, donde el tamaño de la herramienta depende del tamaño del corte. Presione la gubia directamente sobre la pieza de trabajo para eliminar el exceso de material (Fig. A32).



Fig. A32

Coloque la gubia en el borde del soporte de la herramienta de modo que el pulidor del cincel forme un ángulo recto aproximado con la pieza de trabajo (Fig. A33). Permita que el cincel haga contacto con la pieza de trabajo en el centro del borde cortante. Sostenga la herramienta de forma que la línea central de la gubia apunte directamente hacia el centro de la pieza que está girando. Esta posición inicial es muy importante porque evita que la gubia se accione a lo largo de la superficie de la pieza de trabajo.

SECCIONES EN ÁNGULO RECTO

Cuando la pieza que desea tornerar tiene una sección en ángulo recto, una el material antes de proceder a tornerar. El centrado correcto es esencial, ya que cualquier error se reflejará en el hombro donde las partes redondas se encuentran con las rectas. Puede pasar el hombro de cuadrado a redondo de varias maneras (vea las Figuras A35, A36, A37 y A38). Si el escoplo está afilado, puede saltarse el corte de muescas con el cincel para sesgar (Fig. A37). Realice la operación final de recorte (Fig. A38) con el cincel para sesgar, el cincel punta de lanza o la gubia. Realícela como una operación de raspado. Si bien puede cortar el hombro con la misma técnica que se usa para cortes convexos, el método de raspado que se ilustra es más simple y permite realizar el trabajo con prolijidad.

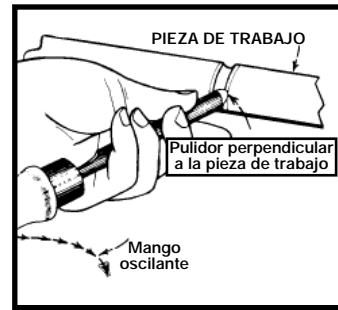


Fig. A33

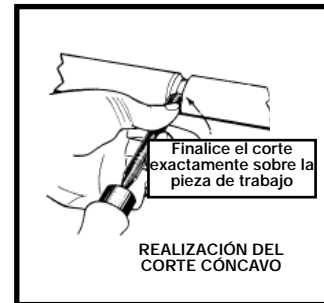


Fig. A34



Fig. A35



Fig. A36



Fig. A37



Fig. A38

TORNEADO EN LA PLACA FRONTAL

Monte la mayoría de los torneados que no pueden ser trabajados entre los centros de una placa frontal. Algunos trabajos requieren portabrocas especiales. Todos los cortes que se realizan en la placa frontal se deben realizar mediante raspado. Cualquier intento de utilizar una técnica de corte siguiendo las vetas verticales de una pieza de trabajo grande resultará en un corte tosco y curvo que puede sacudir el cincel de sus manos. Use una sierra de banda en todas las piezas de trabajo para desbastar el área que desea torneare y eliminar así los cortes de desbaste pesados que debería realizar durante el torneado.

MONTAJE DE LA PIEZA DE TRABAJO A LA PLACA FRONTAL

La Fig. A39 muestra el montaje directo de la pieza de trabajo a una placa frontal de 76 mm (3"), junto con su acoplamiento al bloque de apoyo. Dada la facilidad de instalación, use este montaje siempre que el trabajo lo permita. Sostenga piezas más grandes de la misma forma con placas frontales de 152 mm (6"). Cuando los tornillos de sujeción regulares interfieren, monte la pieza de trabajo en un bloque de apoyo (Fig. A39). Cuando no se pueden usar tornillos, encole la pieza de trabajo al bloque de apoyo y coloque una hoja de papel en la unión para permitir su posterior desprendimiento sin que la madera se dañe. Algunas piezas de trabajo pueden ser atornilladas o clavadas desde la parte delantera en el bloque de apoyo. Monte las piezas de trabajo de menos de 76 mm (3") de diámetro en un centro de tornillo único (Fig. A40).

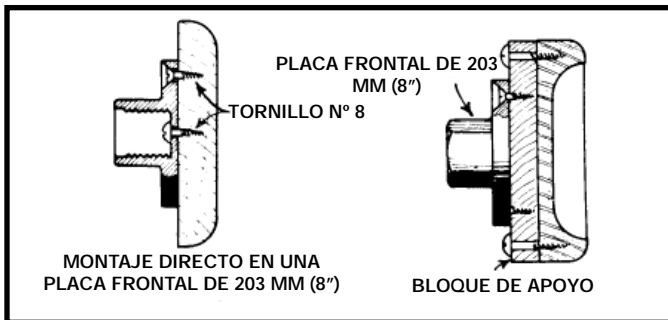


Fig. A39

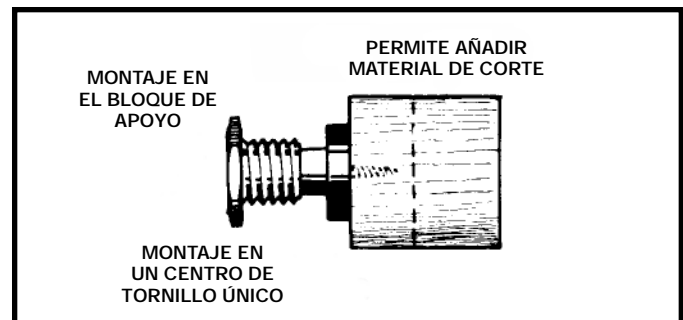


Fig. A40

LOCALIZACION DE FALLAS

Para obtener asistencia para su máquina, visite nuestro sitio Web en www.deltamachinery.com para tener acceso a una lista de centros de servicio o llame a la línea de ayuda de Delta Machinery al 1-800-223-7278. (En Canadá, llame al 1-800-463-3582.)

MANTENIMIENTO

MANTENGA LA MÁQUINA LIMPIA

Periódicamente sople por todas las entradas de aire con aire comprimido seco. Todas las piezas de plástico deben limpiarse con un paño suave y húmedo. NUNCA utilice solventes para limpiar las piezas de plástico. Podrían derretirse o dañar el material.

⚠ ADVERTENCIA Utilice equipo de seguridad certificado para proteger sus ojos, oídos y vías respiratorias cuando use aire comprimido.

FALLA EN EL ENCENDIDO

Si la máquina no enciende, verifique que las patas del enchufe del cable hagan buen contacto en el tomacorriente. Además, revise que no hayan fusibles quemados o interruptores automáticos de circuito abierto en la línea.

LUBRICACIÓN Y PROTECCIÓN CONTRA ÓXIDO

Aplique semanalmente cera en pasta para pisos a la mesa de la máquina y a la extensión u otra superficie de trabajo. También puede usar productos protectores disponibles en comercios y diseñados con este propósito. Siga las instrucciones del fabricante para su uso y seguridad.

Para limpiar el óxido de las mesas de hierro fundido, necesitará los siguientes materiales: 1 hoja de Almojadilla Manual para Matizado mediana Scotch-Brite™, 1 lata de WD-40® y 1 lata de desgrasador. Aplique el WD-40 y pule la superficie de la mesa con la almojadilla Scotch-Brite. Desgrase la mesa y luego aplique el producto protector como se muestra más arriba.

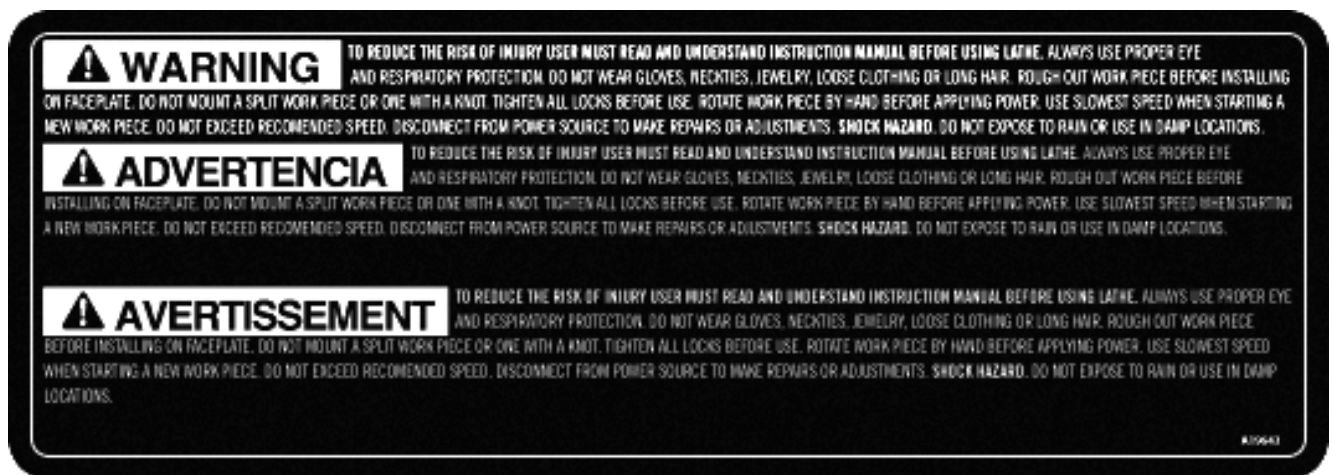
SERVICIO

PIEZAS DE REPUESTO

Utilice sólo piezas de repuesto idénticas. Para obtener una lista de piezas o para solicitar piezas, visite nuestro sitio web en servicenet.deltamachinery.com. También puede solicitar piezas en nuestro centro más cercano, o llamando a nuestro Centro de atención al cliente al 1-800-223-7278 para obtener asistencia personalizada de nuestros técnicos capacitados.

REEMPLAZO GRATUITO DE LAS ETIQUETAS DE ADVERTENCIA

Si las etiquetas de advertencia se tornan ilegibles o se pierden, llame al 1-800-223-7278 para reemplazarlas sin costo alguno.



MANTENIMIENTO Y REPARACIONES

Con el paso del tiempo, todas las herramientas de calidad requieren mantenimiento o reemplazo de las piezas. Para obtener información acerca de Delta Machinery, sus sucursales propias o un Centro de mantenimiento con garantía autorizado, visite nuestro sitio web en www.deltamachinery.com o llame a nuestro Centro de atención al cliente al 1-800-223-7278. Todas las reparaciones realizadas por nuestros centros de mantenimiento están completamente garantizadas en relación con los materiales defectuosos y la mano de obra. No podemos otorgar garantías en relación con las reparaciones ni los intentos de reparación de otras personas.

También puede escribirnos solicitando información a Delta Machinery, 4825 Highway 45 North, Jackson, Tennessee 38305 - Mantenimiento de productos. Asegúrese de incluir toda la información mencionada en la placa de la herramienta (número de modelo, tipo, número de serie, etc.)

ACCESORIOS

Una línea completa de accesorios está disponible de su surtidor de Porter-Cable • Delta, centros de servicio de la fábrica de Porter-Cable • Delta, y estaciones autorizadas delta. Visite por favor nuestro Web site www.deltamachinery.com para un catálogo o para el nombre de su surtidor más cercano.

⚠ ADVERTENCIA: Puesto que los accesorios con excepción de éstos ofrecidos por Delta no se han probado con este producto, el uso de tales accesorios podría ser peligroso. Para la operación más segura, solamente el delta recomendó los accesorios se debe utilizar con este producto.

GARANTIA

Para registrar la herramienta para obtener el mantenimiento cubierto por la garantía de la herramienta, visite nuestro sitio web en www.deltamachinery.com.

Garantía limitada de dos años para productos nuevos

Delta reparará o reemplazará, a expensas y opción propias, cualquier máquina nueva, pieza de máquina nueva o accesorio de máquina nuevo Delta que durante el uso normal haya presentado defectos de fabricación o de material, siempre que el cliente devuelva el producto con el transporte prepago a un centro de servicio de fábrica Delta o una estación de servicio autorizado Delta, con un comprobante de compra del producto, dentro del plazo de dos años y dé a Delta una oportunidad razonable de verificar el supuesto defecto mediante la realización de una inspección. Para todos los productos Delta reacondicionados, el periodo de garantía es de 180 días. Delta podrá requerir que los motores eléctricos sean devueltos con el transporte prepago a una estación autorizada de un fabricante de motores para ser sometidos a inspección y reparación o para ser reemplazados. Delta no será responsable de ningún defecto alegado que haya resultado del desgaste normal, uso indebido, abuso o reparación o alteración realizada o autorizada específicamente por alguien que no sea un centro de servicio autorizado Delta o un representante autorizado Delta. Delta no será responsable en ninguna circunstancia de los daños incidentales o emergentes que se produzcan como resultado de productos defectuosos. Esta garantía es la única garantía de Delta y establece el recurso exclusivo del cliente en lo que respecta a los productos defectuosos; Delta rechaza expresamente todas las demás garantías, expresas o implícitas, tanto de comerciabilidad como de idoneidad para un propósito o de cualquier otro tipo.

NOTES

The following are trademarks for one or more Porter-Cable and Delta products: • Les marques suivantes sont des marques de commerce se rapportant à un ou plusieurs produits Porter-Cable ou Delta : • Las siguientes son marcas comerciales para uno o más productos de Porter-Cable y Delta:

2 BY 4[®], 890[™], Air America[®], AIRBOSS[™], Auto-Set[®], B.O.S.S.[®], Bammer[®], Biesemeyer[®], Builders Saw[®], Charge Air[®], Charge Air Pro[®], CONTRACTOR SUPERDUTY[®], Contractor's Saw[®], Delta[®], DELTA[®], Delta Industrial[®], DELTA MACHINERY & DESIGN[™], Delta Shopmaster and Design[®], Delta X5[®], Deltacraft[®], DELTAGRAM[®], Do It. Feel It.[®], DUAL LASERLOC AND DESIGN[®], EASY AIR[®], EASY AIR TO GO[™], ENDURADIAMOND[®], Ex-Cell[®], Front Bevel Lock[®], Get Yours While the Sun Shines[®], Grip to Fit[®], GRIPVAC[™], GTF[®], HICKORY WOODWORKING[®], Homecraft[®], HP FRAMER HIGH PRESSURE[®], IMPACT SERIES[™], Innovation That Works[®], Jet-Lock[®], Job Boss[®], Kickstand[®], LASERLOC[®], LONG-LASTING WORK LIFE[®], MAX FORCE[™], MAX LIFE[®], Micro-Set[®], Midi-Lathe[®], Monsoon[®], MONSTER-CARBIDE[™], Network[®], OLDHAM[®], Omnijig[®], PC EDGE[®], Performance Crew[™], Performance Gear[®], Pocket Cutter[®], Porta-Band[®], Porta-Plane[®], Porter Cable[®], Porter-Cable Professional Power Tools[®], Powerback[®], POZI-STOP[™], Pressure Wave[®], PRO 4000[®], Proair[®], Quicksand and Design[®], Quickset II[®], QUIET DRIVE TECHNOLOGY[™], QUIET DRIVE TECHNOLOGY AND DESIGN[™], Quik-Change[®], QUIK-TILT[®], RAPID-RELEASE[™], RAZOR[®], Redefining Performance[®], Riptide[®], Safe Guard II[®], Sand Trap and Design[®], Sanding Center[®], Saw Boss[®], Shop Boss[®], Sidekick[®], Site Boss[®], Speed-Bloc[®], Speedmatic[®], Stair Ease[®], Steel Driver Series[®], SUPERDUTY[®], T4 & DESIGN[®], THE AMERICAN WOODSHOP[®], THE PROFESSIONAL EDGE[®], Thin-Line[®], Tiger Saw[®], TIGERCLAW[®], TIGERCLAW AND DESIGN[®], Torq-Buster[®], TRU-MATCH[®], T-Square[®], Twinlaser[®], Unifence[®], Uniguard[®], UNIRIP[®], UNISAW[®], UNITED STATES SAW[®], Veri-Set[®], Versa-Feeder[®], VIPER[®], VT[™], VT RAZOR[™], Water Driver[®], WATER VROOM[®], Waveform[®], Whisper Series[®], X5[®], YOUR ACHIEVEMENT. OUR TOOLS.[®]

Trademarks noted with [®] are registered in the United States Patent and Trademark Office and may also be registered in other countries. Other trademarks may apply. • Les marques de commerce suivies du symbole [®] sont enregistrées auprès du United States Patent and Trademark Office et peuvent être enregistrées dans d'autres pays. D'autres marques de commerce peuvent également être applicables. • Las marcas comerciales con el símbolo [®] están registradas en la Oficina de patentes y marcas comerciales de Estados Unidos (United States Patent and Trademark Office), y también pueden estar registradas en otros países. Posiblemente se apliquen otras marcas comerciales registradas.



Delta Machinery
4825 Highway 45 North
Jackson, TN 38305
(800) 223-7278
www.deltamachinery.com

Free Manuals Download Website

<http://myh66.com>

<http://usermanuals.us>

<http://www.somanuals.com>

<http://www.4manuals.cc>

<http://www.manual-lib.com>

<http://www.404manual.com>

<http://www.luxmanual.com>

<http://aubethermostatmanual.com>

Golf course search by state

<http://golfingnear.com>

Email search by domain

<http://emailbydomain.com>

Auto manuals search

<http://auto.somanuals.com>

TV manuals search

<http://tv.somanuals.com>