

	Full Speed:	Low Speed:		
	80 CFM/0.8 Sones @ 0.1 SP, 9.7 Watts 68 CFM/1.2 Sones @ 0.25 SP, 11.8 Watts	50 CFM/<0.3 Sones @ 0.1 SP, 4.0 Watts 37 CFM/1.0 Sones @ 0.25 SP, 6.0 Watts		

Description

Low noise ceiling mount ventilating fan, rated for continuous running. Fan has been awarded ENERGY STAR® Most Efficient in 2014. It is HVI, UL, and cUL certified, and can be used to comply with ASHRAE 62.2 (local and whole building continuous and intermittent operation), CA Title 24, and CALGreen requirements.

Motor/Blower

- Power rating of 120 volts/60Hz
- DC brushless motor engineered to run continuously
- Motor equipped with thermal cutoff fuse.
- Removable with permanently lubricated plug-in motor

Housing

- Galvanized steel body
- Detachable 4" diameter duct adapter
- Built-in backdraft damper
- Easy installation with expandable extension bracket

Grille

- Attractive design using ABS material
- Attaches directly to housing with torsion springs

LED Indicator

- Blue and amber LED indicator lights to show humidity sensor and full speed modes

Warranty

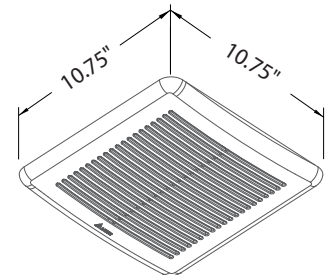
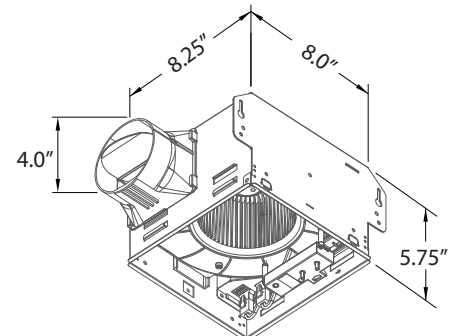
- 3-year limited warranty

Features

- Adjustable humidity set points between ~50% to ~80% RH
- Adjustable low speed airflow
- For ceiling mount only, airflow of 80 CFM(±10%) and 0.8 Sones at 0.1" static pressure
- Power consumption approximately 9.7 Watts with an efficiency rating approximately 8.2 CFM/Watt at 0.1" static pressure
- UL and cUL listed for tub/shower enclosure when used with GFCI-protected branch circuit wiring

DC Motor Technology

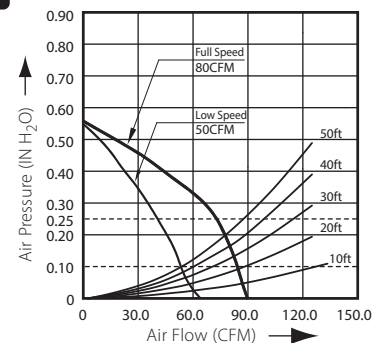
- Allows fan to operate in full speed mode or humidity control mode by manual switch.
- For humidity control mode, when humidity is above the user-adjustable set-point, fan runs at full speed (80 CFM). When humidity is below the set-point, the fan runs continuously at a pre-set lower level (0 or 50 CFM).
- Built-in soft start function to increase bearings life
- Automatically powers OFF when impeller is locked abnormally.



Control Options



Fan Curve



GreenBuilder GBR80H	Continuous low speed		Full speed	
	Static Pressure (inches w.g.)	0.1	0.25	0.1
Air Flow (CFM)	50	37	80	68
Sones	<0.3	1.0	0.8	1.2
Power Consumption (Watts)	4.0	6.0	9.7	11.8
Energy Efficiency (CFM/Watt)	12.5	6.1	8.2	5.7
Current (Amps)	0.16 Max		0.22 Max	
Power Rating (V/Hz)	120 / 60			

Model	Quantity	Comments	Project:
			Location:
			Architect:
			Engineer:
			Contractor:
			Submitted by:
			Date:

Free Manuals Download Website

<http://myh66.com>

<http://usermanuals.us>

<http://www.somanuals.com>

<http://www.4manuals.cc>

<http://www.manual-lib.com>

<http://www.404manual.com>

<http://www.luxmanual.com>

<http://aubethermostatmanual.com>

Golf course search by state

<http://golfingnear.com>

Email search by domain

<http://emailbydomain.com>

Auto manuals search

<http://auto.somanuals.com>

TV manuals search

<http://tv.somanuals.com>