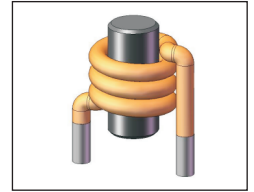


SMT Power Inductor

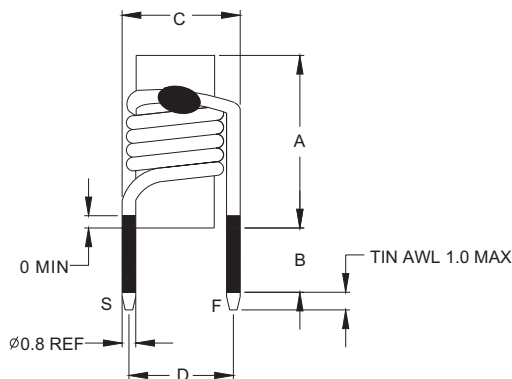
THNR1115 Type

Features

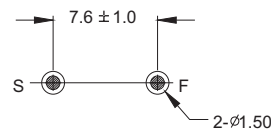
- High current (Isat up to 25A), though hole type.
- Magnetically shielded, suitable for high density mounting.
- High energy storage and low DCR.
- Ideal for power source circuits, DC-DC converter, DC-AC inverters inductor application.
- In addition to the standard versions shown here, customized inductors are available to meet your exact requirements.



Mechanical Dimension:



RECOMMENDED PAD PATTERNS



UNIT : mm
 A = 14.5 MAX
 B = 3.3±1.0
 C = 11.0 MAX
 D = 7.6±1.0

Electrical Characteristics: At 25°C: 100KHz, 0.1V

| PART NO. | L ¹ (uH) | DCR (mΩ) MAX | Isat ² (Adc) | Irms ³ (Adc) |
|--------------|------------------------|-----------------|----------------------------|----------------------------|
| THNR1115-R35 | 0.35 | 4.3 | 25.0 | 16.0 |
| THNR1115-1R7 | 1.70 | 7.8 | 15.0 | 10.0 |
| THNR1115-2R2 | 2.20 | 10.0 | 13.0 | 9.0 |
| THNR1115-3R0 | 3.00 | 15.0 | 8.8 | 7.0 |

- 1.Tolerance of inductance : 0.35uH±30% 1.7~3.0uH±20%
- 2.Isat is the DC current which cause the inductance drop less than 10% of its nominal inductance without current
- 3.Irms is the DC current which cause the surface temperature of the part increase less than 45°C
- 4.Operating temperature: -20°C to 130°C (including self-temperature rise)



DELTA ELECTRONICS, INC.

(TAOYUAN PLANT CPBG) 252, SAN YING ROAD, KUEISAN INDUSTRIAL ZONE, TAOYUAN SHIEN, 333, TAIWAN, R.O.C.

TEL: 886-3-3591968; FAX: 886-3-3591991

<http://www.deltaww.com>

Free Manuals Download Website

<http://myh66.com>

<http://usermanuals.us>

<http://www.somanuals.com>

<http://www.4manuals.cc>

<http://www.manual-lib.com>

<http://www.404manual.com>

<http://www.luxmanual.com>

<http://aubethermostatmanual.com>

Golf course search by state

<http://golfingnear.com>

Email search by domain

<http://emailbydomain.com>

Auto manuals search

<http://auto.somanuals.com>

TV manuals search

<http://tv.somanuals.com>