

DELPHI SERIES



FEATURES

- High efficiency: 86% @ 1.5V/8A, 3.3V/6A
- Low profile: 2.28"x1.45"x0.33"
- Flexible current allocation on each output
- Low voltage output (O/P 1) starts up first
- Fixed frequency operation
- Input UVLO, Output OCP, OVP, OTP
- Basic insulation
- No minimum load required
- ISO 9001, TL 9000, ISO 14001, QS9000, OHSAS18001 certified manufacturing facility
- UL/cUL 60950 (US & Canada), TUV (EN60950) and CE mark pending

Delphi Series Q48DV, 40W Quarter Brick, Dual Output DC/DC Power Modules

The Delphi Series Q48DV Quarter Brick, 48V input, dual output, isolated DC/DC converters are the latest offering from a world leader in power systems technology and manufacturing -- Delta Electronics, Inc. This product family provides dual regulated outputs with a flexible combination of output current and power up to 40W in a very cost effective industry standard footprint. With creative design technology and optimization of component placement, these converters possess outstanding electrical and thermal performance, as well as extremely high reliability under highly stressful operating conditions. All models are fully protected from abnormal input/output voltage, current, and temperature conditions. The Delphi Series Q48DV converters meet all safety requirements with basic insulation.

OPTIONS

- Positive On/Off logic
- Short pin lengths
- Heatsink available for extended operation

APPLICATIONS

- Telecom/DataCom
- Wireless networks
- Optical network equipment
- Server and data storage
- Industrial/Test Equipment

SPECIFICATIONS

GENERAL SPECIFICATIONS			OUTPUT SPECIFICATIONS		
Input Voltage		36~75V	Voltage Accuracy	Typical	±1%
Switching Frequency	Typical (3.3V)	300KHz	Line Regulation	Typical	±0.1%
Isolation Voltage	In/Out	1500V	Load Regulation	Typical	±0.2%
Isolation Capacitance	Typical	2000 pF	Ripple & Noise	Typical	50 mV
Isolation Resistance	Minimum	10M Ohms	Current Limits	Typical	130%
MTBF	Bellcore (3.3V)	TBD	Over Voltage	Typical	120%
OTP	Typical	110°C	Voltage Trim		+10%, -10%
Size		2.28"x1.45"x0.33"			

PART NUMBERING SYSTEM

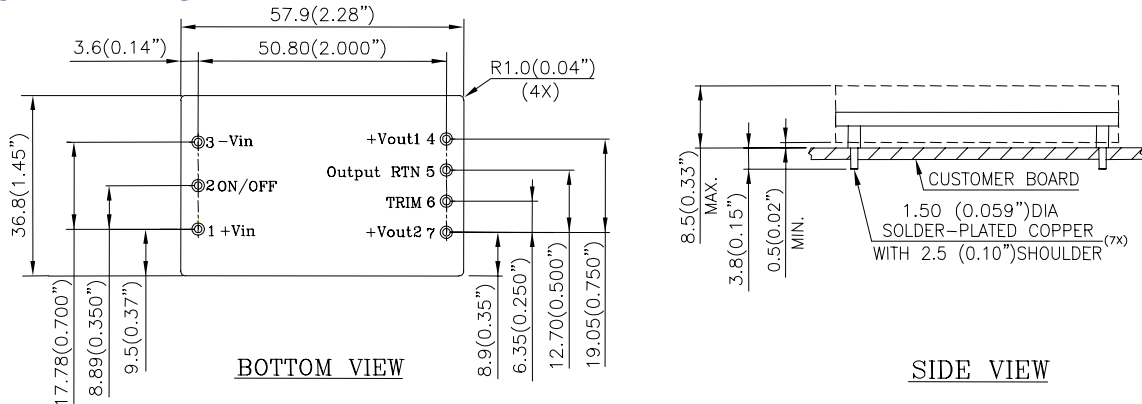
Q	48	D	V	1R5	33	N	R	F	A
Product Type	Input Voltage	Number of Outputs	Product Series	Output Voltage 1	Output Voltage 2	ON/OFF Logic	Pin Length		Option Code
Q - Quarter Brick	48V	D - Dual Output	V - Value line	1R0 - 1.0V 1R2 - 1.2V 1R5 - 1.5V 1R8 - 1.8V 2R5 - 2.5V	33 - 3.3V	N - Negative P - Positive	R - 0.150" N - 0.145" K - 0.110"	F- RoHS 6/6 (Lead Free)	A - Standard Functions

MODEL LIST

MODEL NAME	INPUT		OUTPUT *		EFF @ Full Load
Q48DV2R533NRFA	36V~75V	1.6A	2.5V/10A	3.3V/10A	87.0%
Q48DV1R833NRFA	36V~75V	1.4A	1.8V/10A	3.3V/10A	86.5%
Q48DV1R533NRFA	36V~75V	1.3A	1.5V/10A	3.3V/10A	86.0%
Q48DV1R233NRFA	36V~75V	1.2A	1.2V/10A	3.3V/10A	86.0%
Q48DV1R033NRFA	36V~75V	1.1A	1.0V/10A	3.3V/10A	85.5%

* Note: Total output power should not exceed 40 watts, maximum output current for each channel is 10A.

MECHANICAL DRAWING



NOTES:
 DIMENSIONS ARE IN MILLIMETERS AND (INCHES)
 TOLERANCES: X.Xmm±0.5mm(X.XX in.±0.02 in.)
 X.XXmm±0.25mm(X.XXX in.±0.010 in.)

CONTACT: www.delta.com.tw/dcde

USA:

Telephone:
 East Coast: (888) 335 8201
 West Coast: (888) 335 8208
 Fax: (978) 656 3964
 Email: DCDC@delta-corp.com

Europe:

Telephone: +41 31 998 53 11
 Fax: +41 31 998 53 53
 Email: DCDC@delta-es.tw

Asia & the rest of world:

Telephone: +886 3 4526107 ext 6220
 Fax: +886 3 4513485
 Email: DCDC@delta.com.tw

WARRANTY

Delta offers a two (2) year limited warranty. Complete warranty information is listed on our web site or is available upon request from Delta.

Information furnished by Delta is believed to be accurate and reliable. However, no responsibility is assumed by Delta for its use, nor for any infringements of patents or other rights of third parties, which may result from its use. No license is granted by implication or otherwise under any patent or patent rights of Delta. Delta reserves the right to revise these specifications at any time, without notice.

Free Manuals Download Website

<http://myh66.com>

<http://usermanuals.us>

<http://www.somanuals.com>

<http://www.4manuals.cc>

<http://www.manual-lib.com>

<http://www.404manual.com>

<http://www.luxmanual.com>

<http://aubethermostatmanual.com>

Golf course search by state

<http://golfingnear.com>

Email search by domain

<http://emailbydomain.com>

Auto manuals search

<http://auto.somanuals.com>

TV manuals search

<http://tv.somanuals.com>