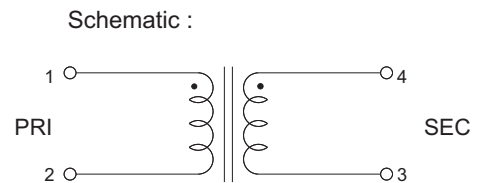
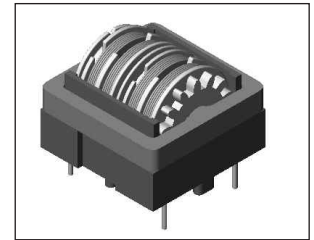
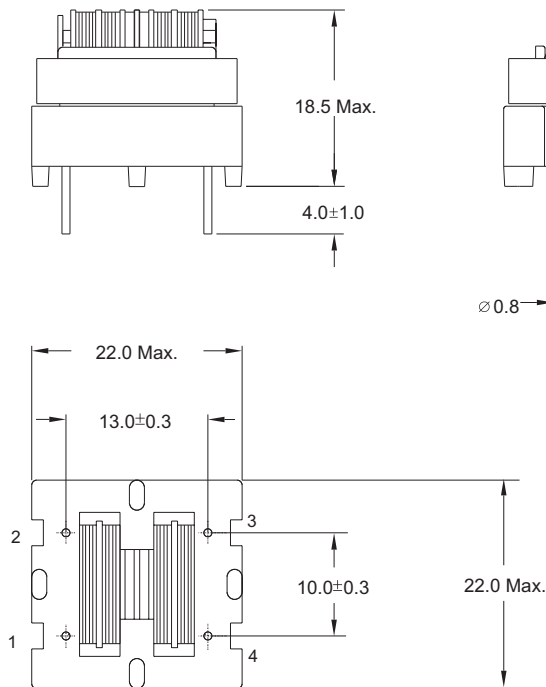


Common Chokes

EMI Common-Mode Suppression Inductors

HFZ20H Type

Mechanical Dimension: Unit: mm



Electrical Characteristics:

■ AT 25°C, 40KHz/1V Tested:

PART NO.	INDUCTANCE (mH) MIN	DCR (mΩ) MAX	RATED CURRENT (Aac)	TEMPERATURE RISE (°C) MAX
HFZ20H01	62.0	2870	0.30	45
HFZ20H02	40.5	1890	0.40	45
HFZ20H03	30.5	1400	0.50	45
HFZ20H04	25.0	1110	0.55	45
HFZ20H05	20.0	990	0.60	45
HFZ20H06	17.0	745	0.70	45
HFZ20H07	13.8	580	0.80	45
HFZ20H08	9.5	410	0.90	45
HFZ20H09	7.6	330	1.10	45
HFZ20H10	5.9	255	1.30	45
HFZ20H11	3.6	155	1.70	45
HFZ20H12	2.5	105	2.00	45

* WITHSTANDING VOLTAGE BETWEEN L1 & L2 1.5KV 1 MINUTE
* GOOD DIFFERENCE IN WINDING L1 & L2 INDUCTANCE



DELTA ELECTRONICS, INC.

(TAOYUAN PLANT CPBG) 252, SAN YING ROAD, KUEISAN INDUSTRIAL ZONE, TAOYUAN SHIEN, 333, TAIWAN, R.O.C.

TEL: 886-3-3591968; FAX: 886-3-3591991

<http://www.deltawww.com>

Free Manuals Download Website

<http://myh66.com>

<http://usermanuals.us>

<http://www.somanuals.com>

<http://www.4manuals.cc>

<http://www.manual-lib.com>

<http://www.404manual.com>

<http://www.luxmanual.com>

<http://aubethermostatmanual.com>

Golf course search by state

<http://golfingnear.com>

Email search by domain

<http://emailbydomain.com>

Auto manuals search

<http://auto.somanuals.com>

TV manuals search

<http://tv.somanuals.com>