

Dell PowerEdge C410x


Hardware Owner's Manual



Notes, Cautions, and Warnings

 **NOTE:** A NOTE indicates important information that helps you make better use of your computer.

 **CAUTION:** A CAUTION indicates potential damage to hardware or loss of data if instructions are not followed.

 **WARNING:** A WARNING indicates a potential for property damage, personal injury, or death.

Information in this publication is subject to change without notice.

© 2010 Dell Inc. All rights reserved.

Reproduction of these materials in any manner whatsoever without the written permission of Dell Inc. is strictly forbidden.

Trademarks used in this text: Dell™, the DELL logo, and PowerEdge™ are trademarks of Dell Inc.

Other trademarks and trade names may be used in this publication to refer to either the entities claiming the marks and names or their products. Dell Inc. disclaims any proprietary interest in trademarks and trade names other than its own.

Regulatory Model B02S

July 2010 Rev. A00

Contents

NOTES, CAUTIONS, AND WARNINGS	I
CONTENTS	II
INTRODUCTION	1
Checklist	1
CHAPTER 1: PRODUCT OVERVIEW	2
1.1 A Tour of the System	2
1.1.1. System Front View	2
1.1.2. System Back View	3
1.2 System LEDs Description	4
1.2.1. Front System LEDs	4
1.2.2. LAN LEDs	5
CHAPTER 2: REMOVING AND INSTALLING HARDWARE	6
Safety Measures	6
2.1. Dell PowerEdge C410X Middle Board Connectors and Jumpers	7
2.2. System Cover	8
2.3. GPGPU Cage	9
2.4. Replacing GPGPU Card	10
2.5. System Fans	14
2.6. System Fans Cages	16
2.7. Power Supplies	18
2.8. Removing Power Distribution Board (PDB)	19
2.9. Replacing iPass Board	22
2.10. Replacing Middle Board	25
2.11. Replacing Front I/O Panel	26
2.12. Installing the Rail and the System	28
CHAPTER 3: CABLE ROUTINGS	30

iPass Port Mapping	31
CHAPTER 4: BMC REMOTE MANAGEMENT CONSOLE	32
Initial Configuration via DHCP Server	32
Static/DHCP IP Controlled by Front Panel Button	33
Remote Management Console Overview	34
Enter Dell Remote Management Console	35
Properties	35
Configuration	36
Network	36
Security	37
User	38
Services	39
IPMI	40
Sessions	42
Updates	43
Utilities	44
Server Information	45
Power Control	45
Power Consumption	46
GPU Power Consumption	47
Thermal	48
Fans	48
Temperatures	48
System Event Log	49
Platform Events	50
Traps Settings	51
Email Settings	52
CHAPTER 5: TROUBLESHOOTING YOUR SYSTEM	53
CHAPTER 6: GETTING HELP	58
Contacting Dell	58
INDEX	59

Introduction

Checklist

Carefully unpack the Dell PowerEdge C410X server and check that the following items were included.

- One Dell PowerEdge C410X system
- Dell PowerEdge C410x Getting Started Guide
- Safety, Environmental, and Regulatory Information (SERI)
- Warranty and Support Information (WSI) or End User License Agreement (EULA)

Contact Dell if some items are missing or appear damaged.

Chapter 1: Product Overview

1.1 A Tour of the System

The following sections describe the external features of the Dell PowerEdge C410X server.

1.1.1. System Front View

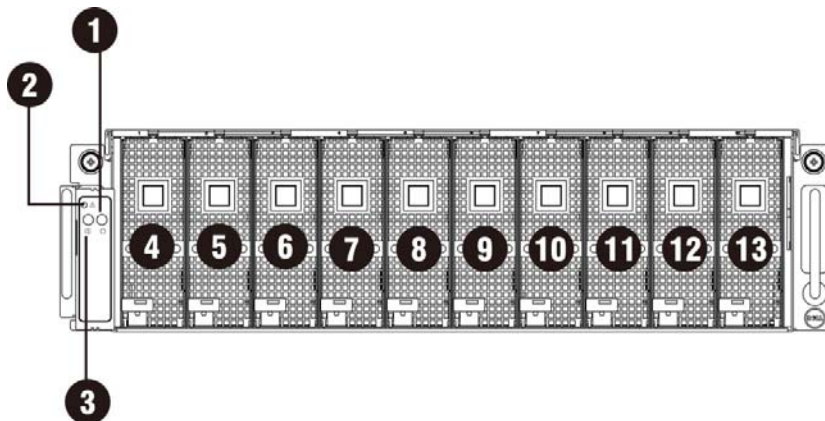


Figure 1 – Front View

1	System LED	8	GPGPU Cage 5
2	UID LED/Button	9	GPGPU Cage 6
3	Power LED/Button	10	GPGPU Cage 7
4	GPGPU Cage 1	11	GPGPU Cage 8
5	GPGPU Cage 2	12	GPGPU Cage 9
6	GPGPU Cage 3	13	GPGPU Cage 10
7	GPGPU Cage 4		

1.1.2. System Back View

Back view of system is shown below:

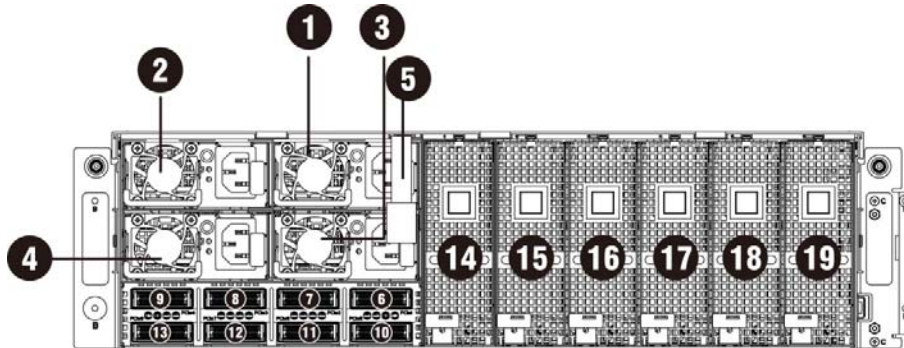


Figure 2 – Back View

1	Power Module 1	11	iPass connector 6
2	Power Module 2	12	iPass connector 7
3	Power Module 3	13	iPass connector 8
4	Power Module 4	14	GPGPU Cage 11
5	BMC LAN Cable	15	GPGPU Cage 12
6	iPass connector 1	16	GPGPU Cage 13
7	iPass connector 2	17	GPGPU Cage 14
8	iPass connector 3	18	GPGPU Cage 15
9	iPass connector 4	19	GPGPU Cage 16
10	iPass connector 5		

1.2 System LEDs Description

1.2.1. Front System LEDs

The front system LEDs contain Status LED, Power LED and UID LED information.

The detailed LEDs information is listed below:

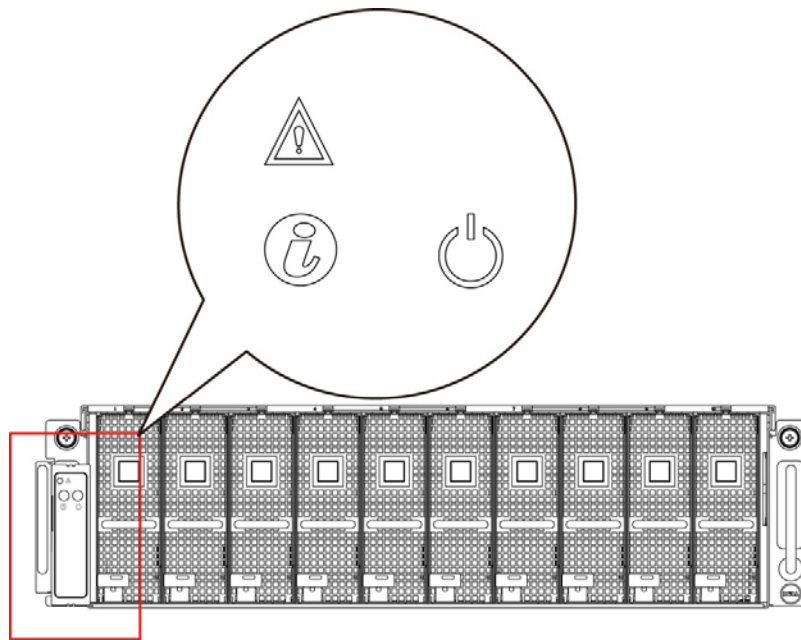





Figure 3 – Front System LEDs

Table 1 Front System LEDs

	Status LED	Displays status/errors and is controlled by BMC.		
		Color	Condition	Occurrence
		Amber	Blink Fast	Power supply fail
			On	FAN fail or sensor error
Blink	GPU card fail			
	UID LED	Lights when front or rear ID button is pressed.		
		Color	Condition	Occurrence
		Blue	Off	No identification
Blinking	ID Button pressed on system (ID command executed)			
	Power LED	Lights green when server is powered on.		
		Color	Condition	Occurrence
		Green	On	Power on
			Blinking	Power on fail or without any GPU card

1.2.2. LAN LEDs

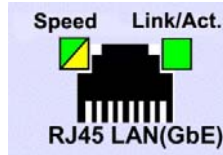


Figure 4 – LAN LEDs

Table 2 LAN LEDs

LAN	LAN Link/Activity	Color	Condition	Occurrence
		Green	On	LAN Link / no Access
			Blink	LAN Access
		N/A	Off	Idle
10 LAN Speed		N/A	Off	10Mbps connection
100 LAN Speed		Green	On	10Mbps connection
			Blink	Port identification with 10 or 100Mbps connection
GbE LAN Speed		Yellow	On	1Gbps connection
			Blink	Port identification with 1Gbps connection

Chapter 2: Removing and Installing Hardware

Safety Measures

Computer components and electronic circuit boards can be damaged by discharges of static electricity. Working on computers that are still connected to a power supply can be extremely dangerous. Follow the simple guidelines below to avoid damage to your computer or injury to yourself.

- Always disconnect the computer from the power outlet whenever you are working inside the computer case.
- If possible, wear a grounded wrist strap when you are working inside the computer case. Alternatively, discharge any static electricity by touching the bare metal system of the computer case, or the bare metal body of any other grounded appliance.
- Hold electronic circuit boards by the edges only. Do not touch the components on the board unless it is necessary to do so. Do not flex or stress the circuit board.
- Leave all components inside the static-proof packaging until you are ready to use the component for the installation.

2.1. Dell PowerEdge C410X Middle Board Connectors and Jumpers

Figure 5 displays the most important DELL PowerEdge C410X middle board components.

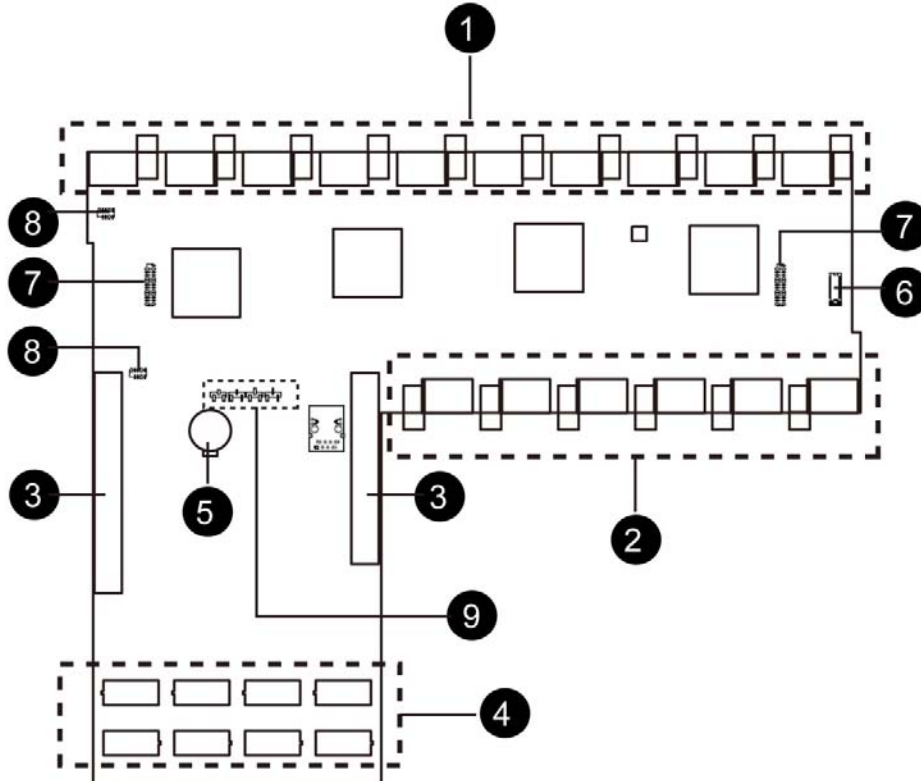


Figure 5 – Middle Board Connectors and Jumpers

Item	Component	Items	Component
1.	PCI-E connectors	6.	Front I/O connector
2.	PCI-E connectors	7.	FAN connectors
3.	Power connectors	8.	FAN LED connectors
4.	iPass connectors	9.	Failover setting pin header
5.	Battery		

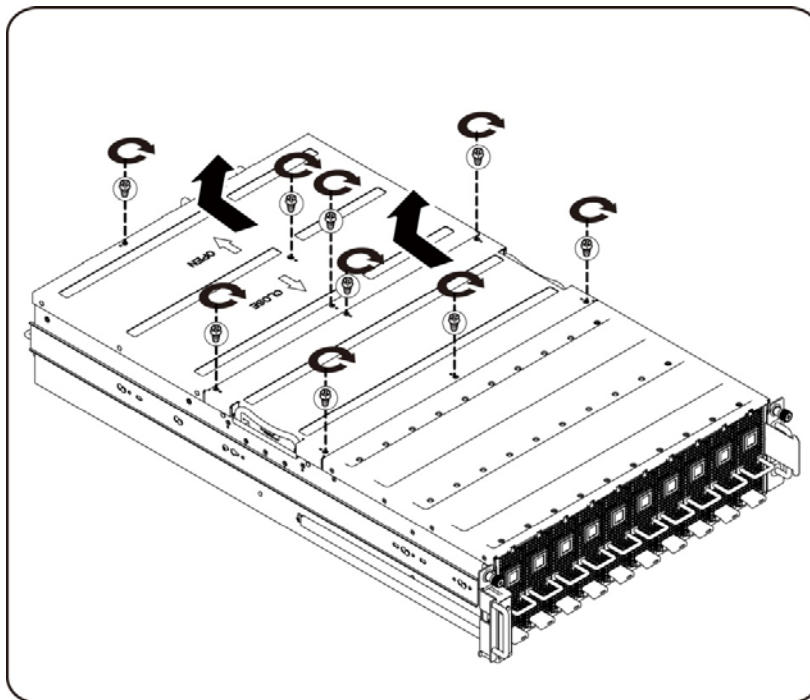
2.2. System Cover

⚠ WARNING: Before you remove or install the system cover:

- make sure the server is not turned on or connected to the AC power.

Follow these instructions to remove the system cover:

1. Loosen and remove the securing screw on the top of the system.
2. Slide the cover horizontally to the back using the traction pad and remove the cover in the direction of the arrow.




📎 NOTE: This system must be operated with the system cover installed to ensure proper cooling.

Follow these instructions to install the system cover:

Reverse the steps above to install the system cover.

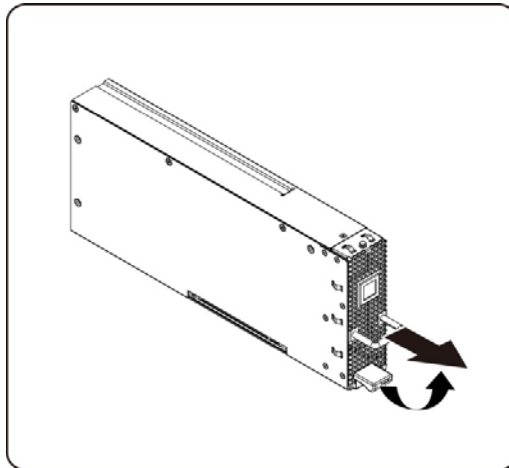
2.3. GPGPU Cage

 **NOTE:** When you remove or install the GPGPU cage, note the following points:

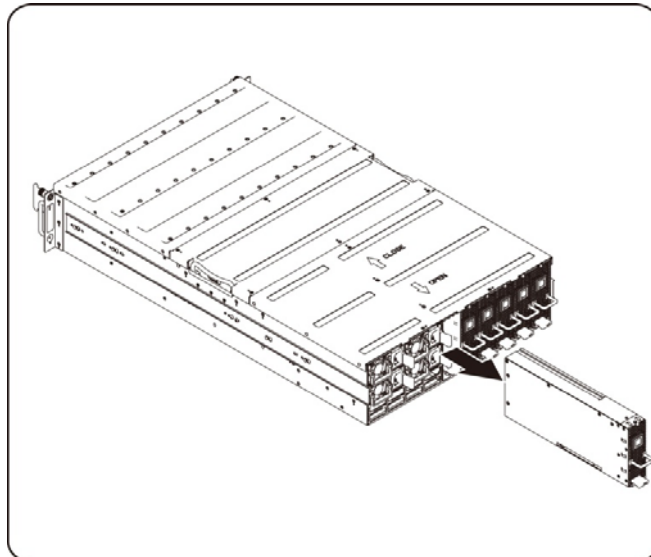
- Take note of the drive tray orientation before sliding it out.
- The tray will not fit back into the bay if inserted incorrectly.

Follow these instructions to remove the cage:

1. Press the release button along the direction of the arrow.



2. Slide the cage assembly out of the system.



Follow these instructions to install the cage:

Reverse the steps above to install the cage.

2.4. Replacing GPGPU Card

⚠ WARNING: Before you remove or install the system fan, take the steps below:

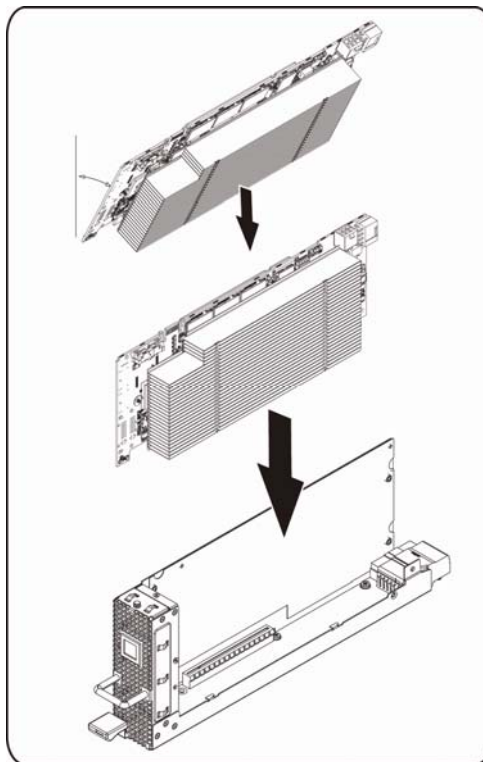
- Make sure the system is not turned on or connected to the AC power.
- Disconnect all necessary cable connections.
- Turn off the specific single GPU cage power.

Failure to observe these warnings could result in personal injury or damage to the equipment.

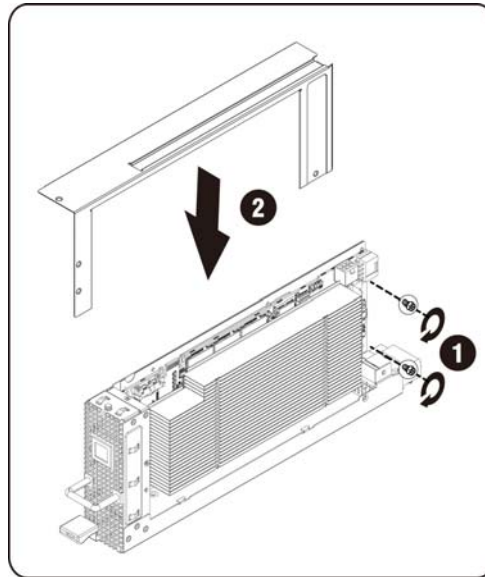
Follow these instructions to replace a GPGPU card:

For M1060 System

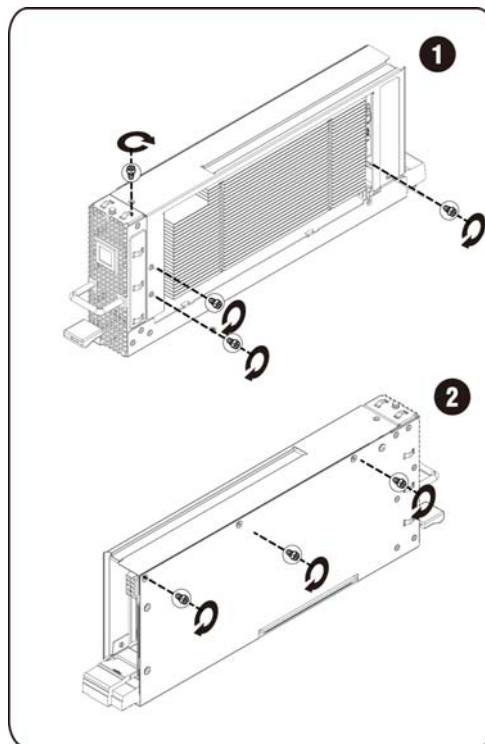
1. Insert the GPGPU card by 45 degree and push it into socket vertically.



2. Secure the card in place with screws and place the GPGPU side cover as illustration arrow show.



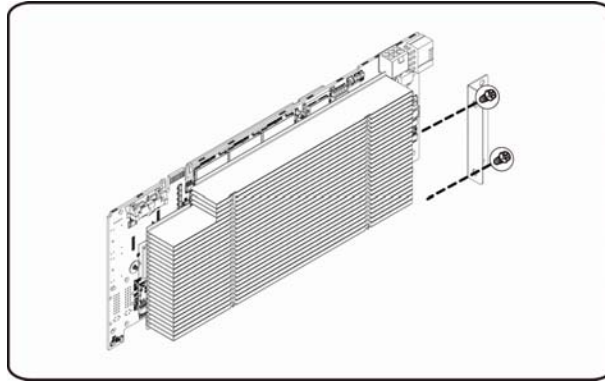
3. Secure the GPGPU side cover and back cover in place with screws.



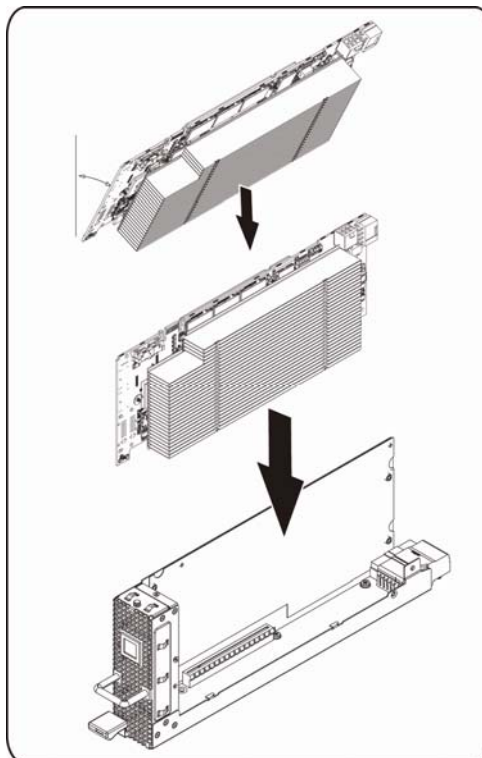
Follow these instructions to replace a GPGPU card:

For M2050 System

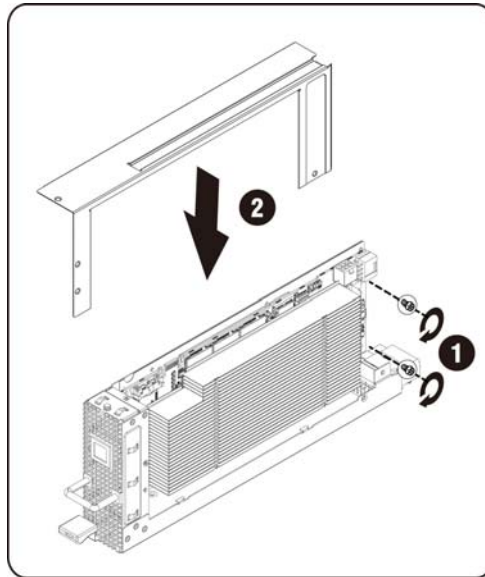
1. Attach the support bracket on the GPGPU board and secure it in place with screws.



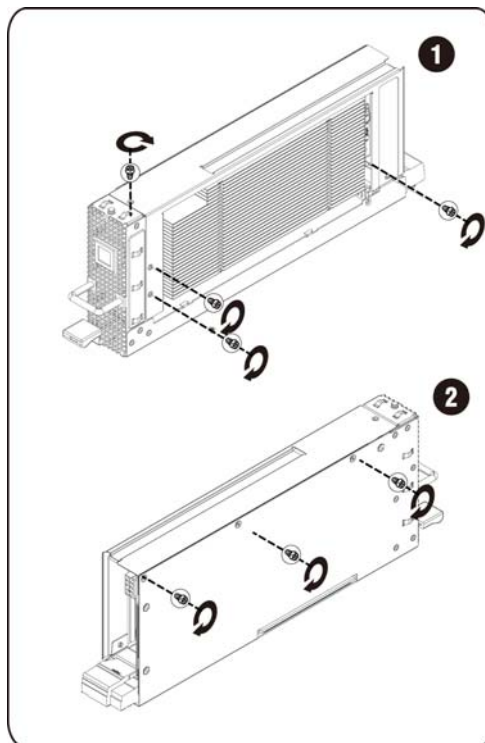
2. Insert the GPGPU card by 45 degree and push it into socket vertically.



3. Secure the card in place with screws and place the GPGPU side cover as illustration arrow show.



4. Secure the card in place with screws and place the GPGPU side cover as illustration arrow show.



2.5. System Fans

In case a of system fan failure, you can quickly replace the system fan.

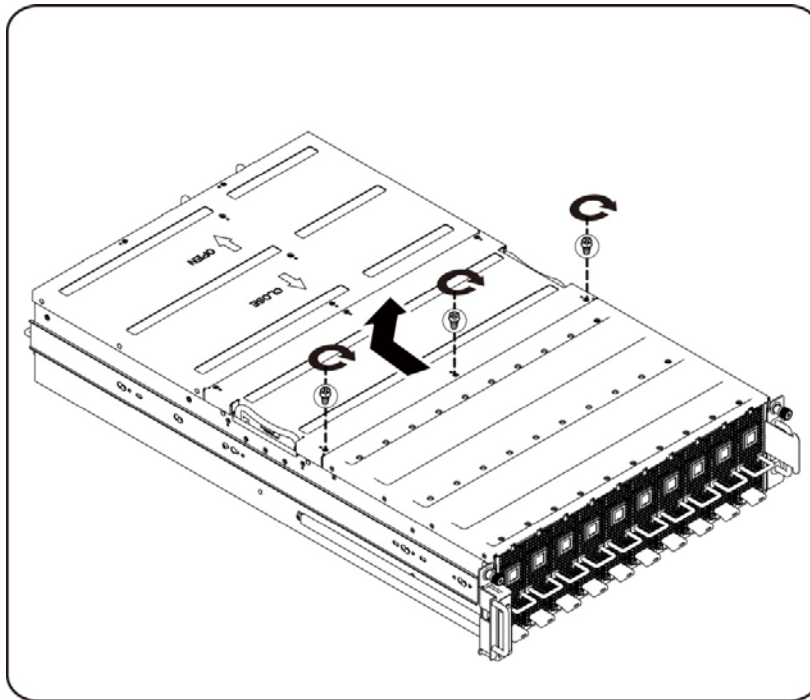
⚠ WARNING: Before you remove or install the system fan, take the steps below:

- Make sure the system is not turned on or connected to the AC power.
- Disconnect all necessary cable connections.

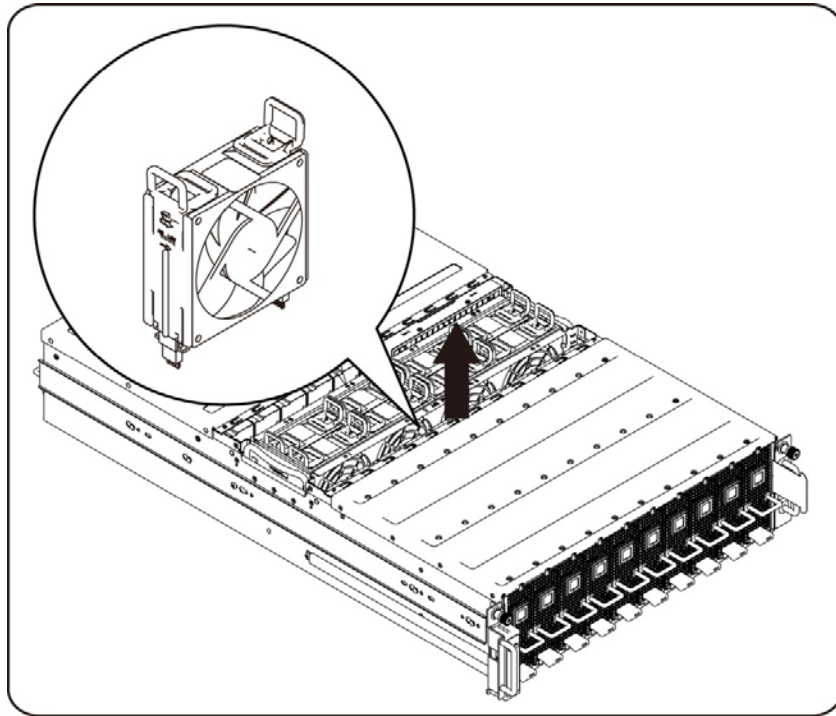
Failure to observe these warnings could result in personal injury or damage to the equipment.

Follow the instruction to remove the system fan:

1. Loosen and remove the securing screw on the top of the system.



2. Lift the system fan out of the system fan cage.



Follow these instructions to install the system fan:

Reverse the step above to install the system fan.

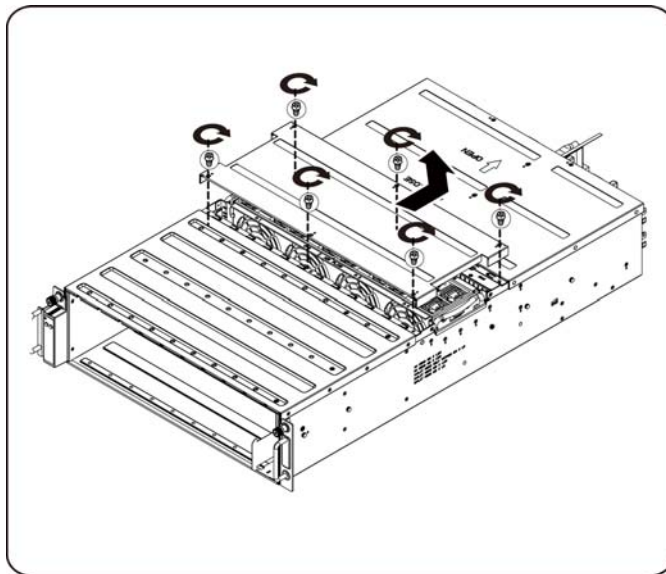
2.6. System Fans Cages

⚠ WARNING: Before you remove or install the system fan cage, take the steps below:

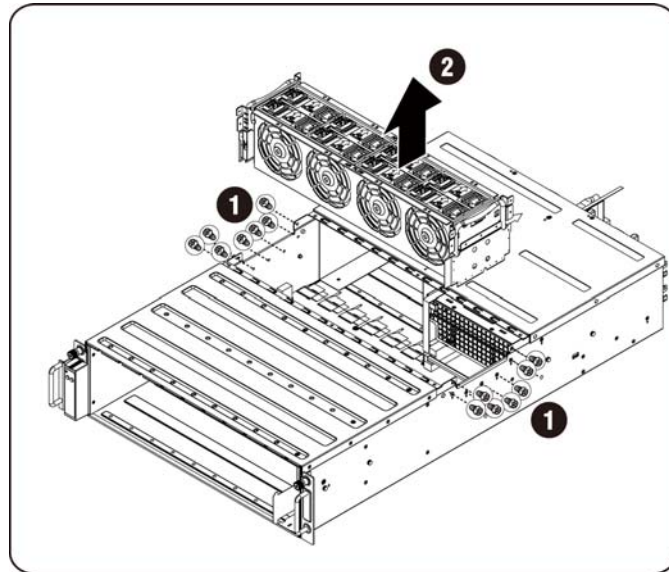
- Make sure the system is not turned on or connected to the AC power.
- Disconnect all necessary cable connections.

Failure to observe these warnings could result in personal injury or damage to the equipment.

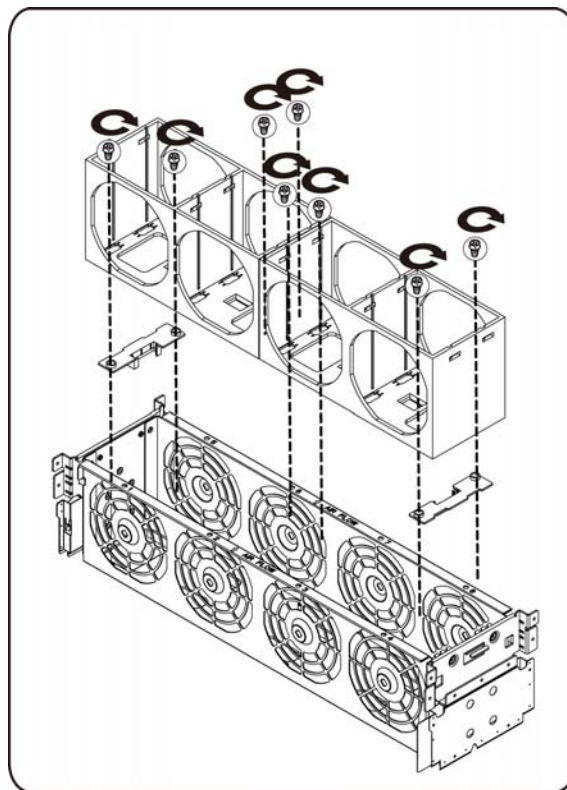
1. Loosen and remove the securing screw on the top of the system.



2. Lift the system fan out of the system fan cage. See System Fans on page 14 for detail instruction.



3. Loosen and remove the securing screw on the top of the system fan cage.



2.7. Power Supplies

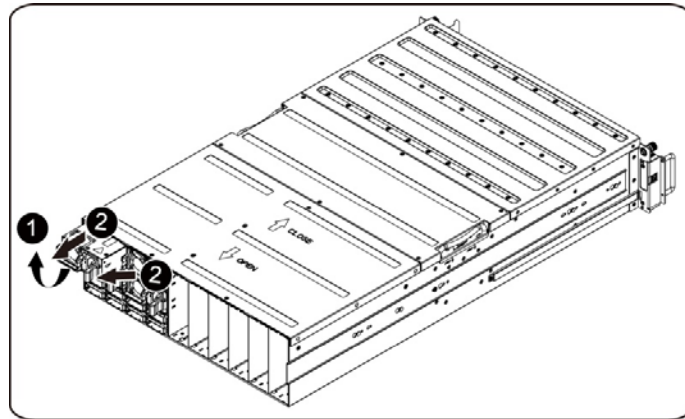
In case of a power supply failure, you can quickly replace the power supply unit.

Follow these instructions to remove the power supply:

⚠ WARNING: In order to reduce the risk of injury from electric shock, disconnect the failed power supply from the AC power before removing it from the system.

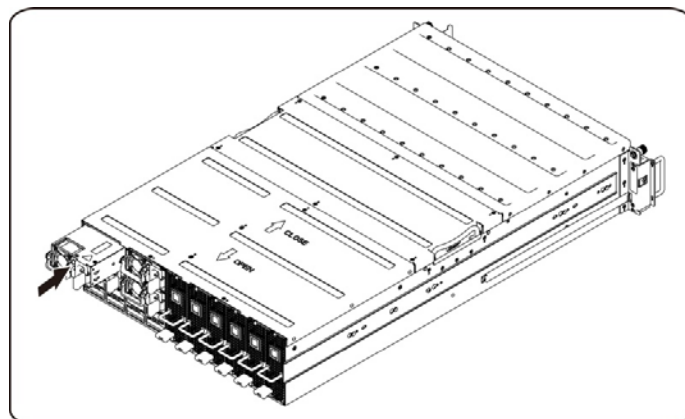
1. Pull up the power supply handle.
2. Press the retaining clip on the right side of the power supply along the direction of the arrow.
3. At the same time, pull out the power supply by using its handle.

🔧 NOTE: The power supply takes considerable force to remove.



Follow these instructions to install the power supply:

Insert the replacement power supply firmly into the bay. The retaining clip should snap. Connect the AC power cord to the replacement power supply.

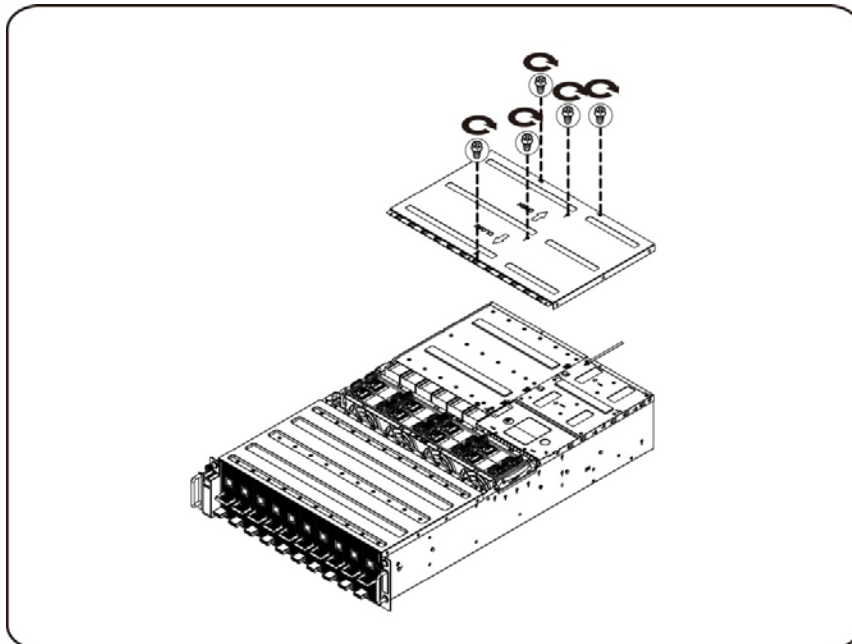
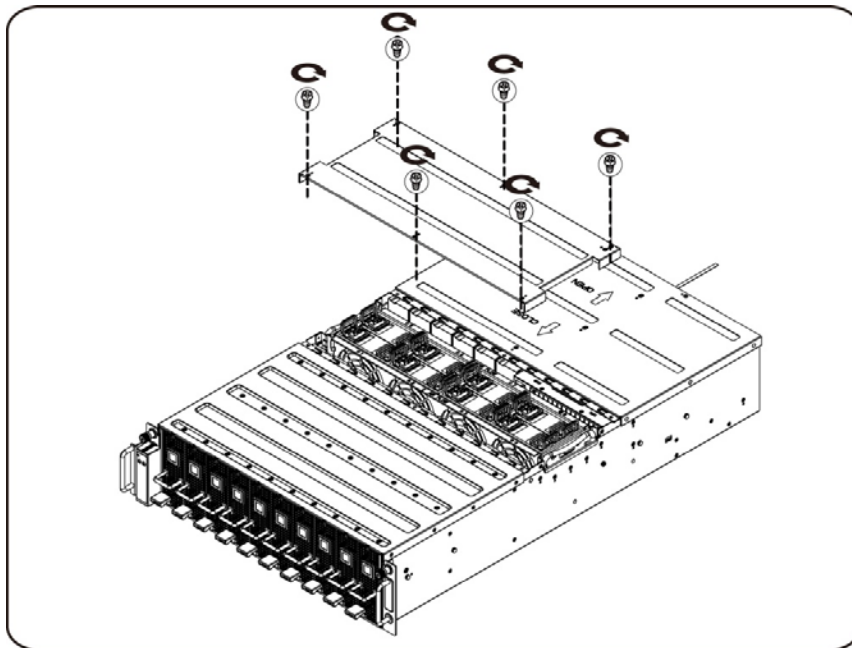


2.8. Removing Power Distribution Board (PDB)

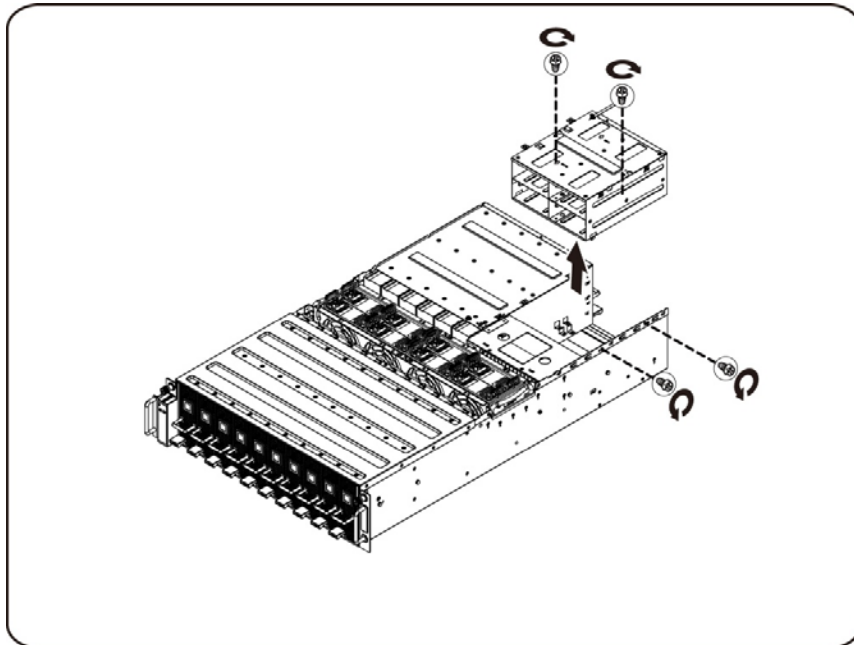
Follow these instructions to remove the PDB:

⚠ WARNING: In order to reduce the risk of injury from electric shock, disconnect the failed power supply from the AC power before removing it from the system.

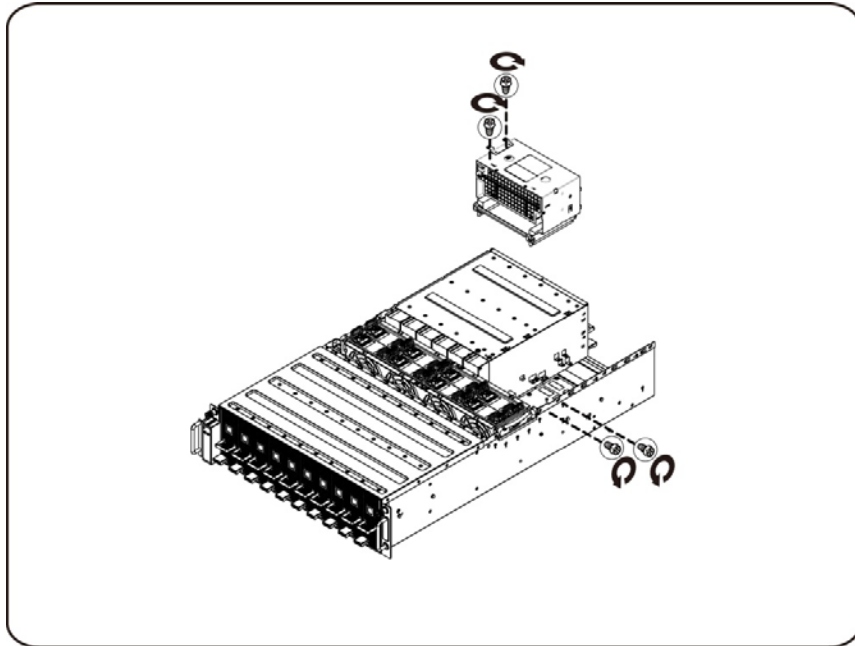
1. Loosen and remove the securing screws on the top of the system.



2. Loosen and remove the securing screws on the top of power supply cage and remove the securing screw on the side of the system.



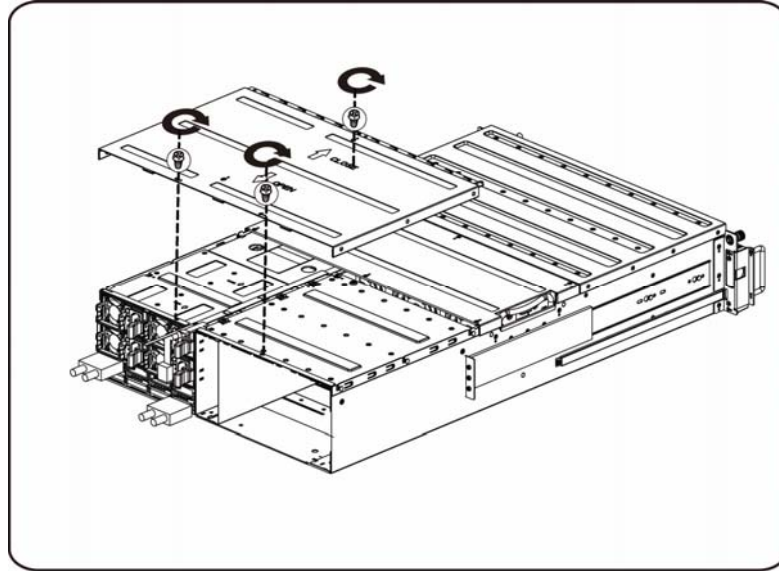
3. Loosen and remove the securing screws on the PDB.



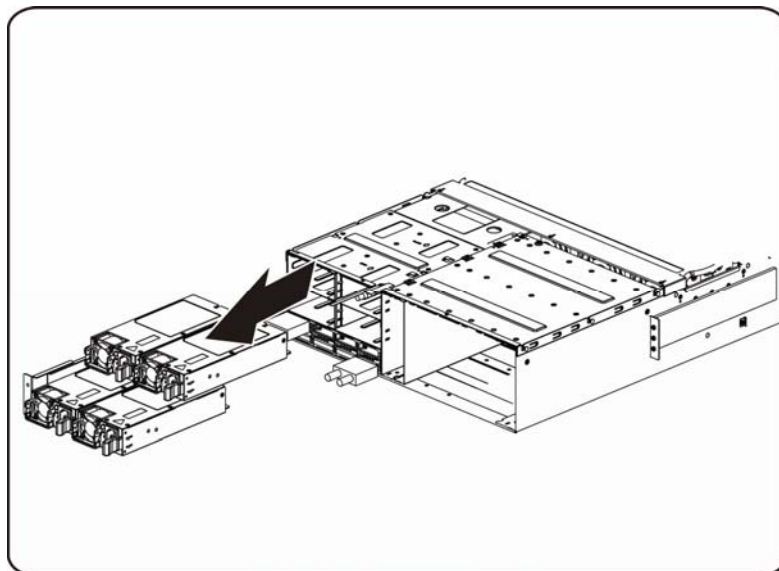
2.9. Replacing iPass Board

Follow these instructions to replace the iPass board:

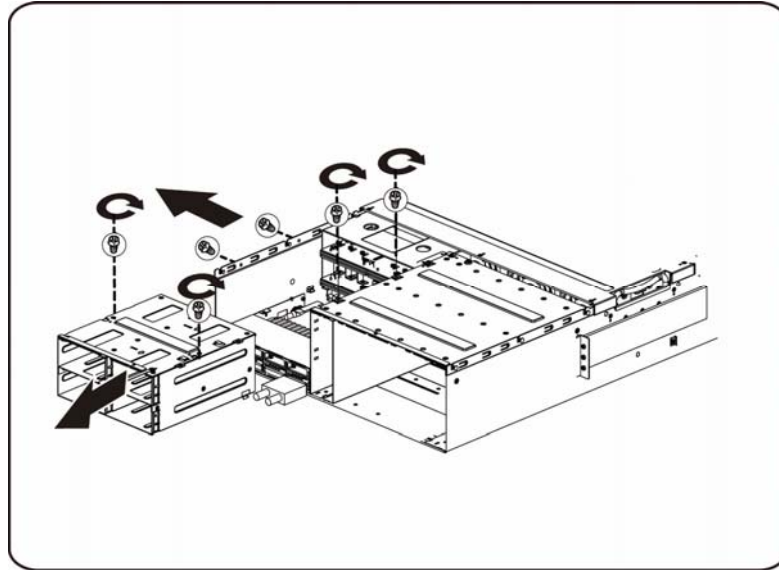
1. Loosen and remove the securing screws on the top of the system.



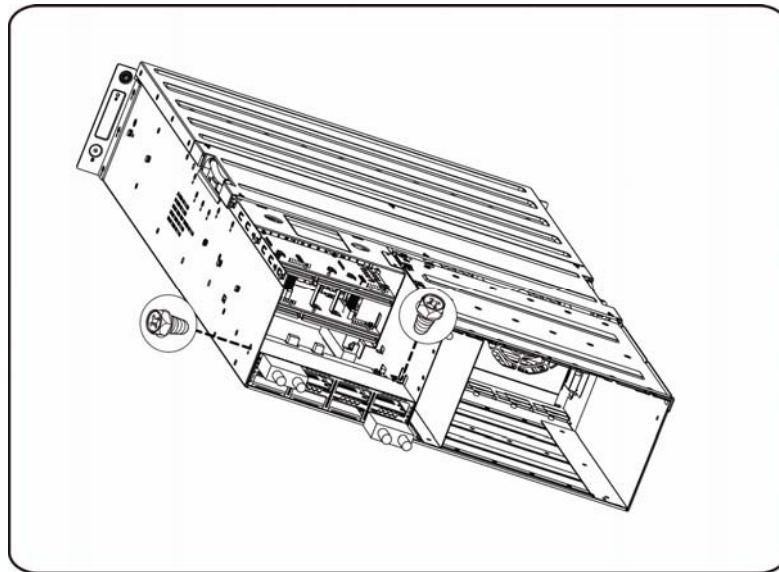
2. Remove the power supply. See Power Supplies on page 18 for detail instruction.



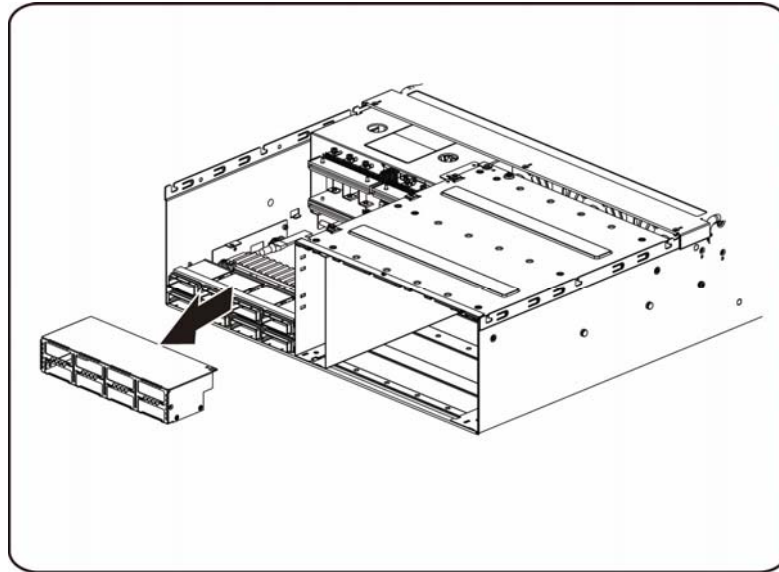
3. Loosen and remove the securing screws on the top of power supply cage and remove the power supply cage out of the system.



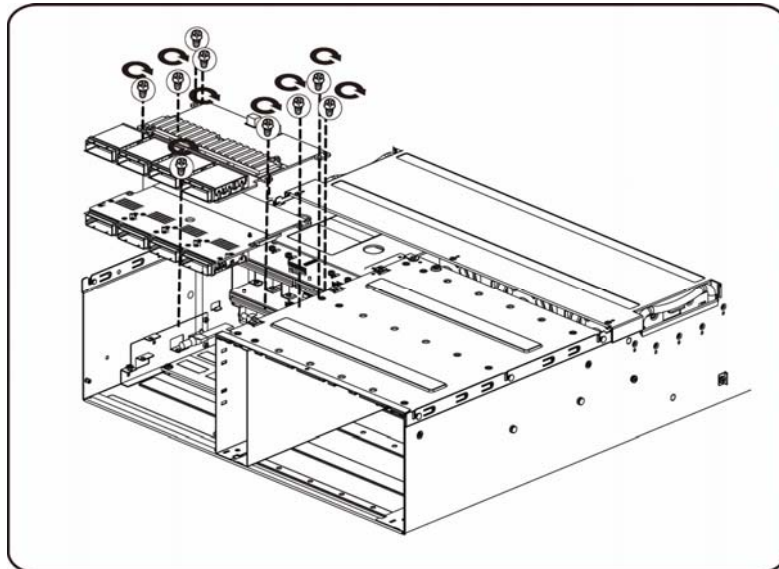
4. Loosen and remove the securing screws on the top of iPass connector cage.



5. Remove iPass connector cage.



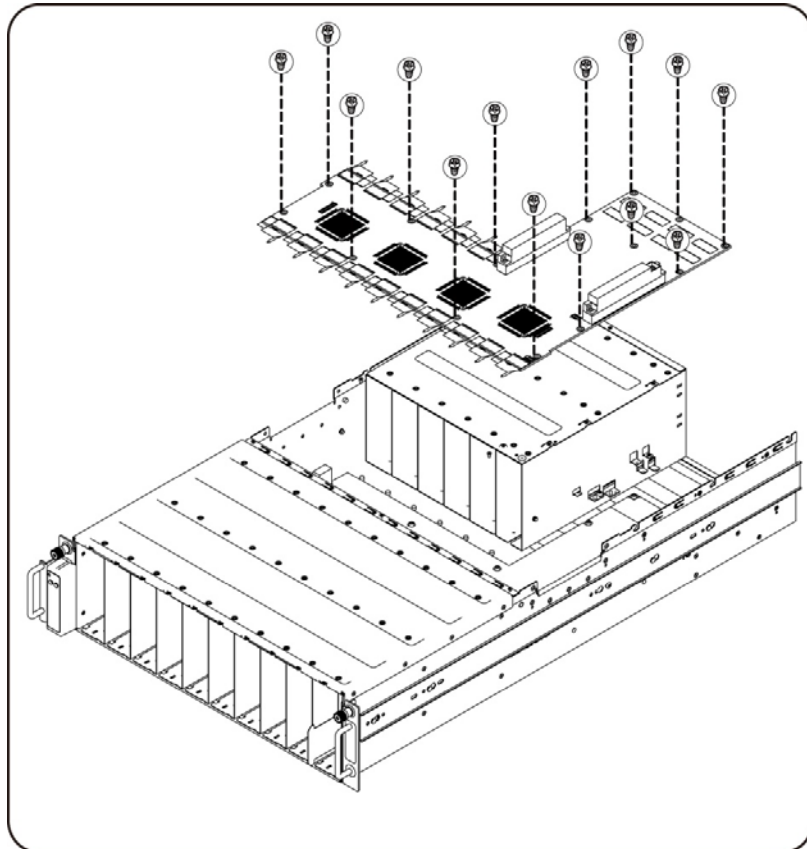
6. Loosen and remove the securing screws on the top of iPass board.



2.10. Replacing Middle Board

Follow these instructions to replace the middle board:

1. Remove the system cover. See System Cover on page 8.
2. Remove the fourteen (14) screws securing the mainboard in place. Lift the middle board out of the system in the direction of the arrow, front edge first, to clear the I/O ports.



2.11. Replacing Front I/O Panel

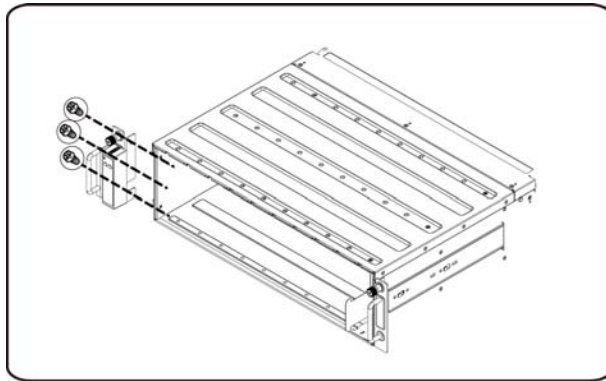


WARNING:

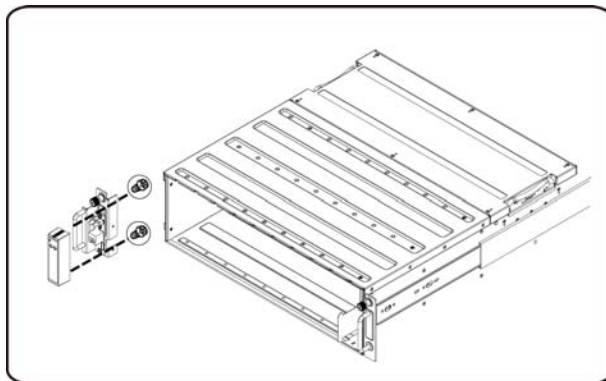
Before you remove or install the system cover:

- make sure the system is not turned on or connected to the AC power.

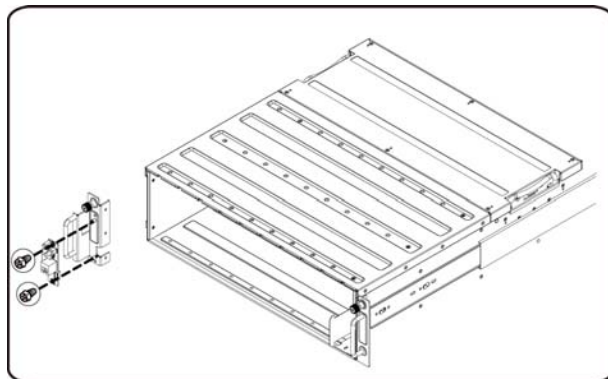
1. Loosen and remove the securing screws as illustration shown below



2. Loosen the securing screws and remove the ear board cover.



3. Loosen and remove the securing screws on the ear board.



2.12. Installing the Rail and the System



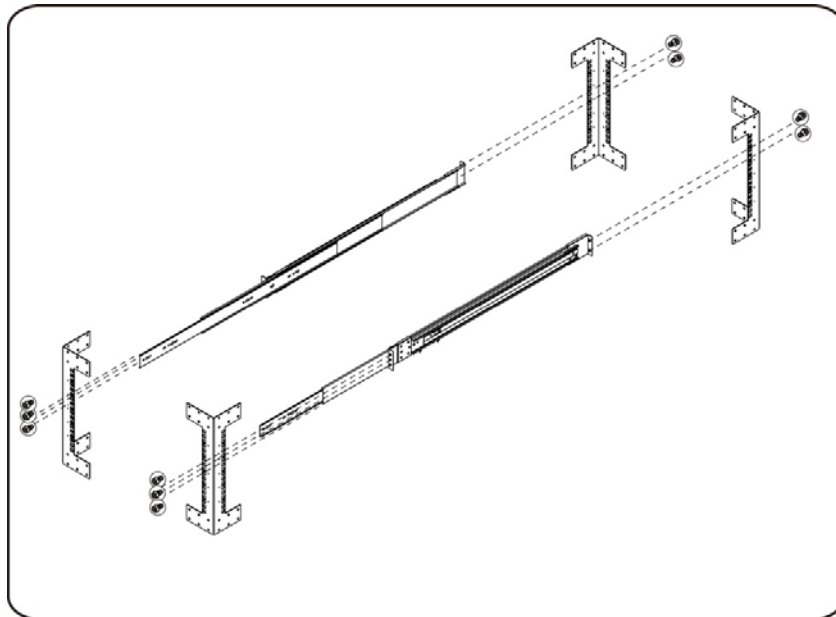
WARNING:

Before you remove or install the system cover:

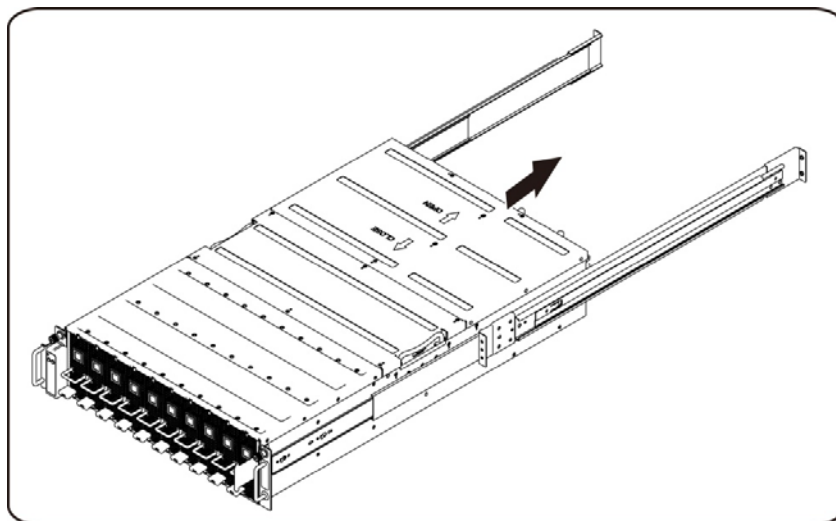
- make sure the system is not turned on or connected to the AC power.

Follow these instructions to install the rail into a rack:

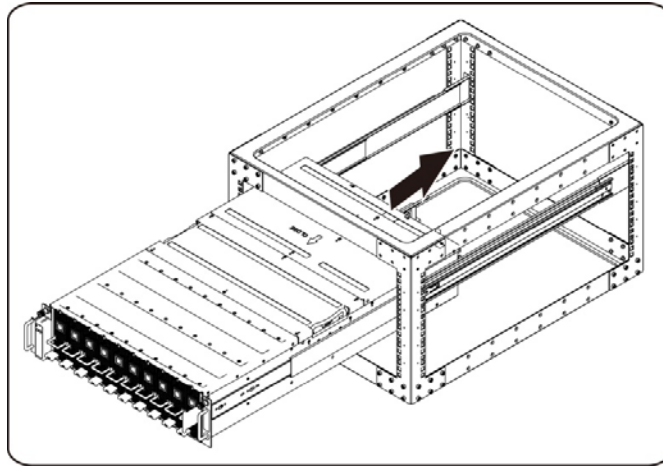
1. Install the sliding rails into the rack.



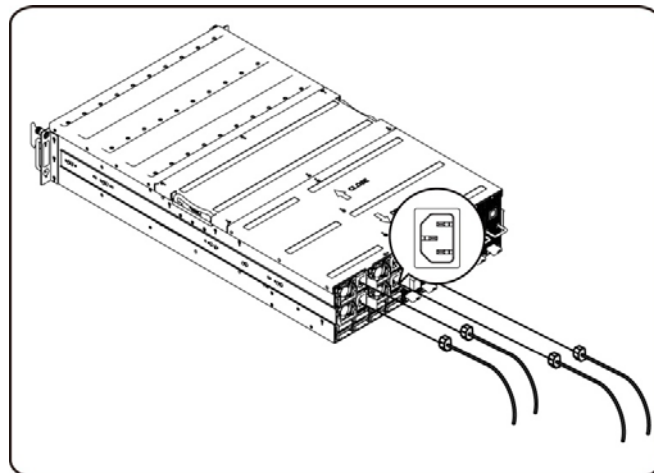
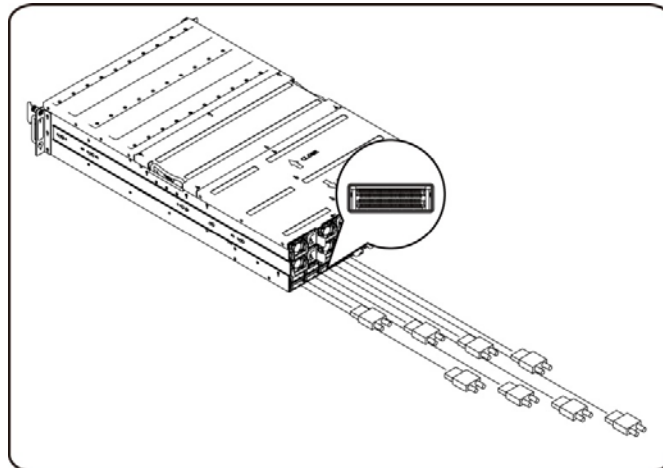
2. Align the inner rails with the sliding rails of the rack.



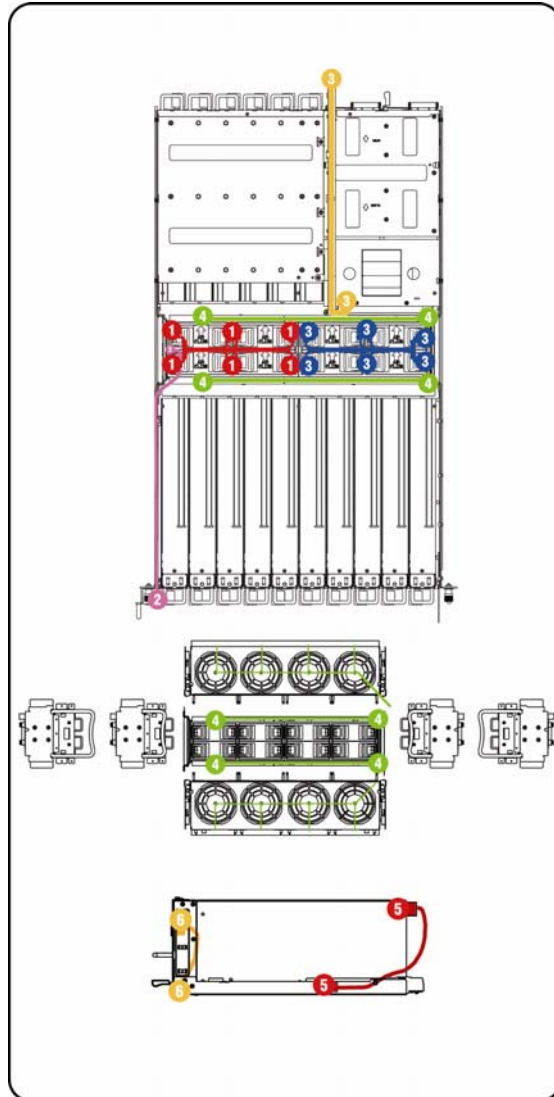
3. Push the system into the sliding rails until the locking latch clicks into place.



4. Connect ipass connectors and power connectors.



Chapter 3: Cable Routings



1	Fan Power Cable
2	Front I/O Cable
3	RJ45 Cable
4	Fan LED Cable
5	GPU Cable
6	Switch Cable

iPass Port Mapping

		IPASS		GPGPU		IPASS		GPGPU	
Mapping 1		1	VS	1, 15		1	VS	1, 2, 15, 16	
		5		2, 16		5		N/A	
Mapping 2		2	VS	3, 13		2	VS	3, 4, 13, 14	
		6		4, 14		6		N/A	
Mapping 3		3	VS	5, 11		3	VS	5, 6, 11, 12	
		7		6, 12		7		N/A	
Mapping 4		4	VS	7, 9		4	VS	7, 8, 9, 10	
		8		8, 10		8		N/A	

Chapter 4: BMC Remote Management Console

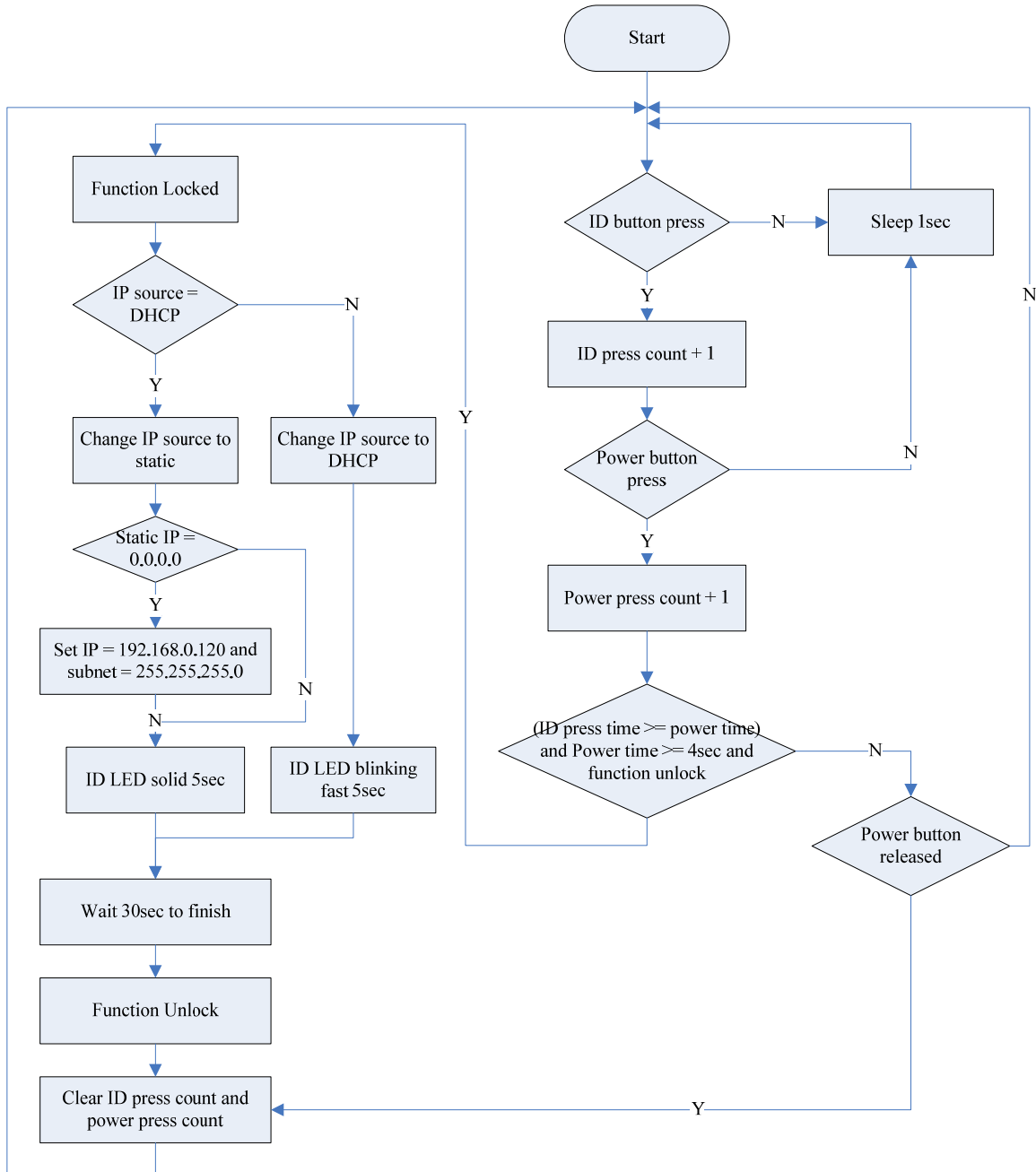
This chapter provides information on the various functions of the Dell Remote Management Console GUI's (Graphics User Interface).

Initial Configuration via DHCP Server

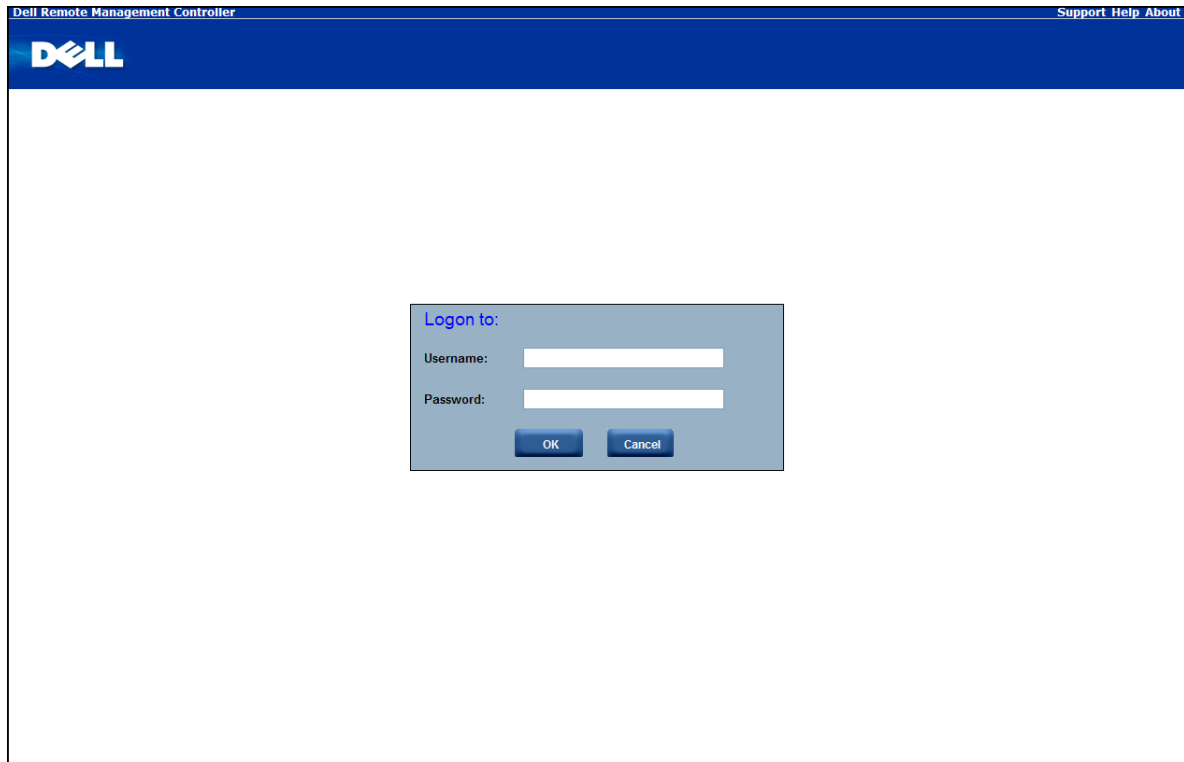
Before entering the Dell Remote Management Console, you need to connect the DHCP server in the subnet to which it is physically connected. If a DHCP server is found, it may provide a valid IP address, gateway address and net mask. Before you connect the device to your local subnet, be sure to complete the corresponding configuration of your DHCP server. It is recommended to configure a fixed IP assignment to the MAC address of the system.

Static/DHCP IP Controlled by Front Panel Button


The following illustration shows the instruction for gathering IP source using front panel button.




Remote Management Console Overview



1. Open a web browser and type in your identified IP. The IP address can be found using your **DHCP server**.
2. A dialog box prompts you to enter Username and Password.
3. Enter the following values:
Username: **root**
Password: **root**

 **NOTE:** The default user name and password are in lower-case characters.

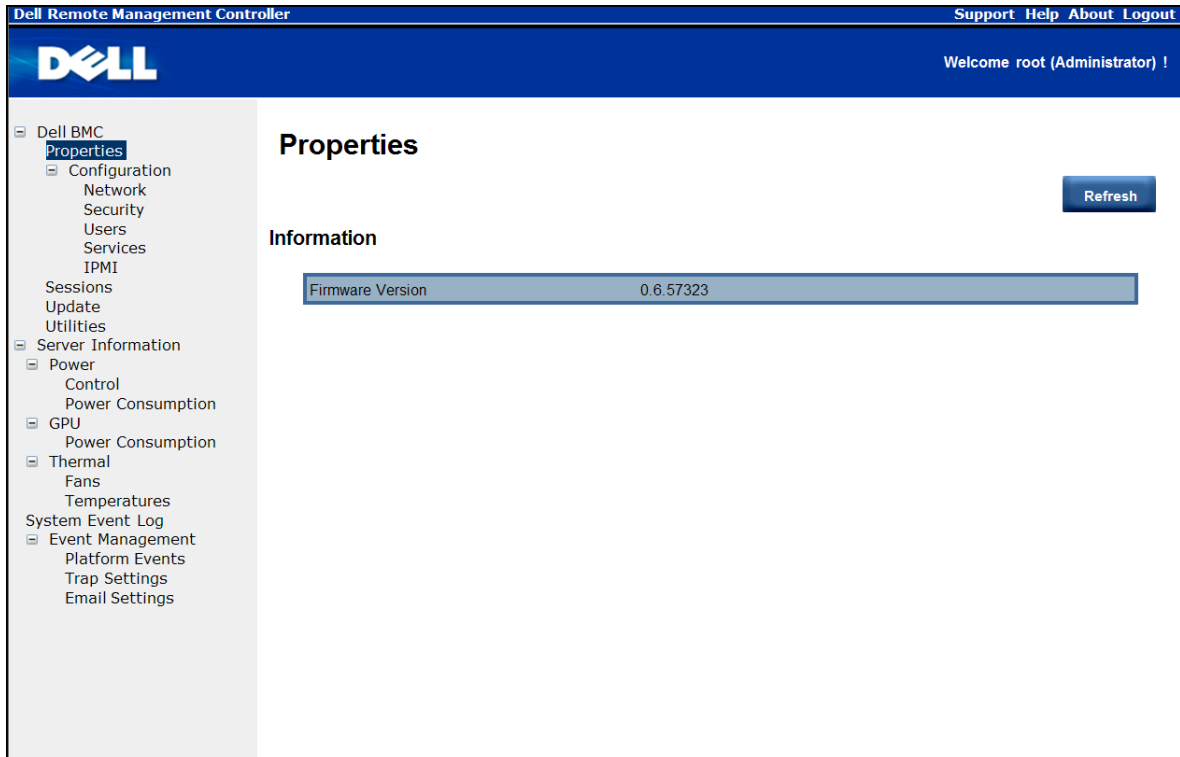
 **NOTE:** When you log in using the root user name and password, you have full administrative privileges. It is advised that once you log in, you should change the root password.

Enter Dell Remote Management Console

After you successfully log into your Dell Remote Management Console, the Remote Management Console GUI appears.

Properties

Properties displays the firmware version of current remote client system.



The screenshot shows the Dell Remote Management Console interface. At the top, there is a navigation bar with "Dell Remote Management Controller" on the left and "Support Help About Logout" on the right. Below this is a blue header with the Dell logo and "Welcome root (Administrator) !". A left-hand navigation menu lists various categories under "Dell BMC", with "Properties" selected. The main content area is titled "Properties" and contains an "Information" section with a table showing the "Firmware Version" as "0.6.57323". A "Refresh" button is located in the top right corner of the main content area.

Information	
Firmware Version	0.6.57323

Configuration

Network

You can view and modify the network settings on this screen. Select whether to obtain an IP address automatically or configure one manually. It is recommended to use DHCP if your environment has a DHCP server. You can set DHCP (obtain the IP address automatically) or STATIC IP (configure the IP address manually). When you finish configuration, click **Apply Changes** or for re-configuration click **Refresh**.

The screenshot displays the Network configuration page in the Dell Remote Management Controller (DRAC) interface. The page is titled "Network" and includes a navigation sidebar on the left with options like "Dell iBMC", "Processor", "Configuration", "Security", "Users", "Business (PIV)", "Sessions", "Updates", "Licenses", "Server Information", "Power", "Control", "Power", "Consumption", "GPU", "Power", "Consumption", "Thermal", "Fans", "Temperatures", "System Health Log", "Event Management", "Platform Status", "Trap Settings", and "Email Settings".

The main content area is divided into several sections:

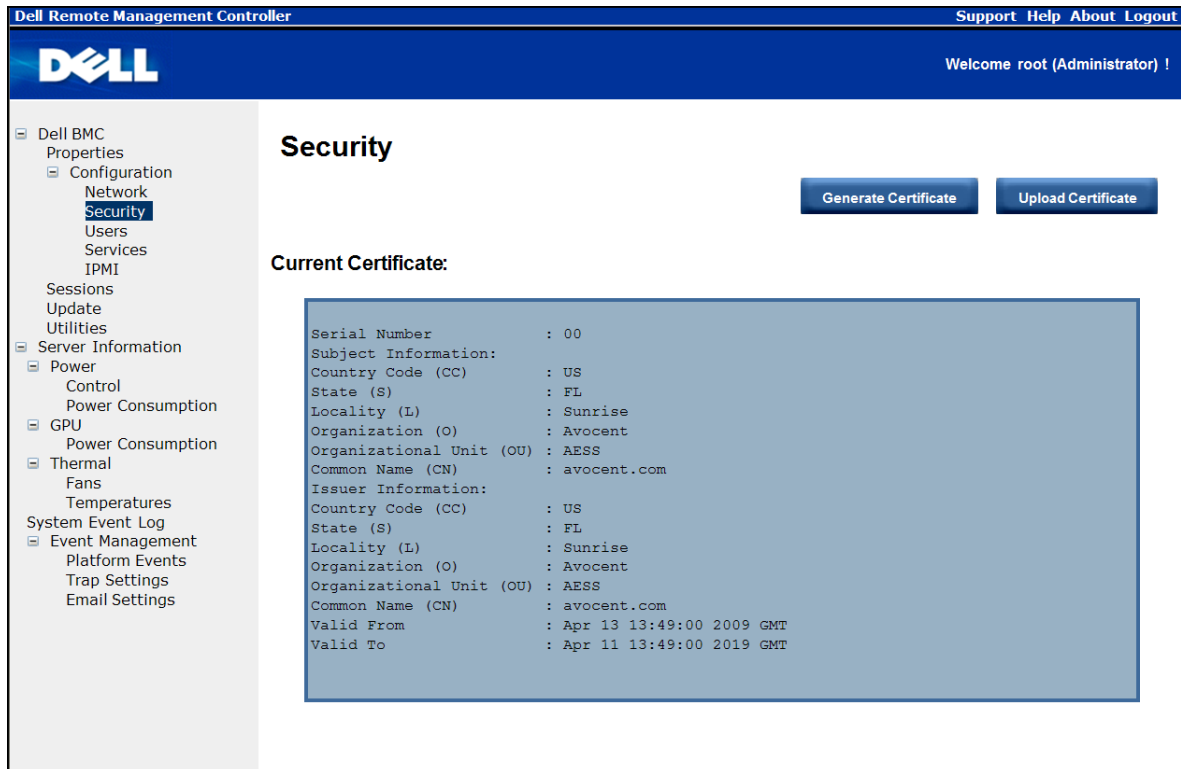
- Network Interface Card Settings:** Includes fields for MAC Address (00:0C:AB:12:34:56), Auto Negotiation (On/Off), Network Speed (100 mb/10 mb), and Duplex Mode (Full/half).
- Common Settings:** Includes checkboxes for Enable Dynamic DNS, Host Name (bmc00c0ab123456), Use DHCP for DNS Domain Name, and a field for DNS Domain Name.
- IPv4 Settings:** Includes checkboxes for Enabled and Use DHCP, and input fields for IP Address (10.17.169), Subnet Mask (255.255.255.0), and Gateway (10.17.253). It also has checkboxes for "Use DHCP to obtain DNS server addresses" and input fields for Preferred DNS Server and Alternate DNS Server (both 0.0.0.0).
- IPv6 Settings:** Includes checkboxes for Enabled and Auto Configuration, and input fields for IP Address 1, Prefix Length (64), IP Gateway, Link Local Address, and IP Address 2. It also has checkboxes for "Use DHCP to obtain DNS server addresses" and input fields for Preferred DNS Server and Alternate DNS Server.
- VLAN Settings:** Includes a checkbox for Enable VLAN ID, and input fields for VLAN ID and Priority.

At the top right of the main content area, there are "Apply Changes" and "Refresh" buttons. A warning message at the top states: "Changes to the NIC IP address settings will close all user sessions and require IP address settings. All other changes will require the NIC to be reset, which may cause a brief loss in connectivity. Changes may not take effect immediately, and require a refresh."

Security

Security shows the current certificate status. To generate a new certificate, click **Generate Certificate**.

To upload a certificate, click **Upload Certificate**.



The screenshot displays the Dell Remote Management Controller (iDRAC) web interface. The top navigation bar includes 'Support', 'Help', 'About', and 'Logout'. The user is logged in as 'root (Administrator)'. The left sidebar shows a tree view with 'Security' selected under 'Configuration'. The main content area is titled 'Security' and contains two buttons: 'Generate Certificate' and 'Upload Certificate'. Below these buttons, the 'Current Certificate' section displays the following details:

```
Serial Number      : 00
Subject Information:
Country Code (CC) : US
State (S)         : FL
Locality (L)      : Sunrise
Organization (O)  : Avocent
Organizational Unit (OU) : AESS
Common Name (CN) : avocent.com
Issuer Information:
Country Code (CC) : US
State (S)         : FL
Locality (L)      : Sunrise
Organization (O)  : Avocent
Organizational Unit (OU) : AESS
Common Name (CN) : avocent.com
Valid From        : Apr 13 13:49:00 2009 GMT
Valid To          : Apr 11 13:49:00 2019 GMT
```

User

To configure a specific user, click the **User ID**. To display new user information, click **Refresh**.

The screenshot displays the Dell Remote Management Controller (DRMC) interface. The top navigation bar includes 'Dell Remote Management Controller', 'Support', 'Help', 'About', and 'Logout'. The user is logged in as 'root (Administrator)'. The left sidebar shows a navigation menu with categories like 'Dell BMC Properties', 'Configuration', 'Server Information', and 'Power'. The main content area is titled 'Users' and contains a 'Refresh' button and a table of users.

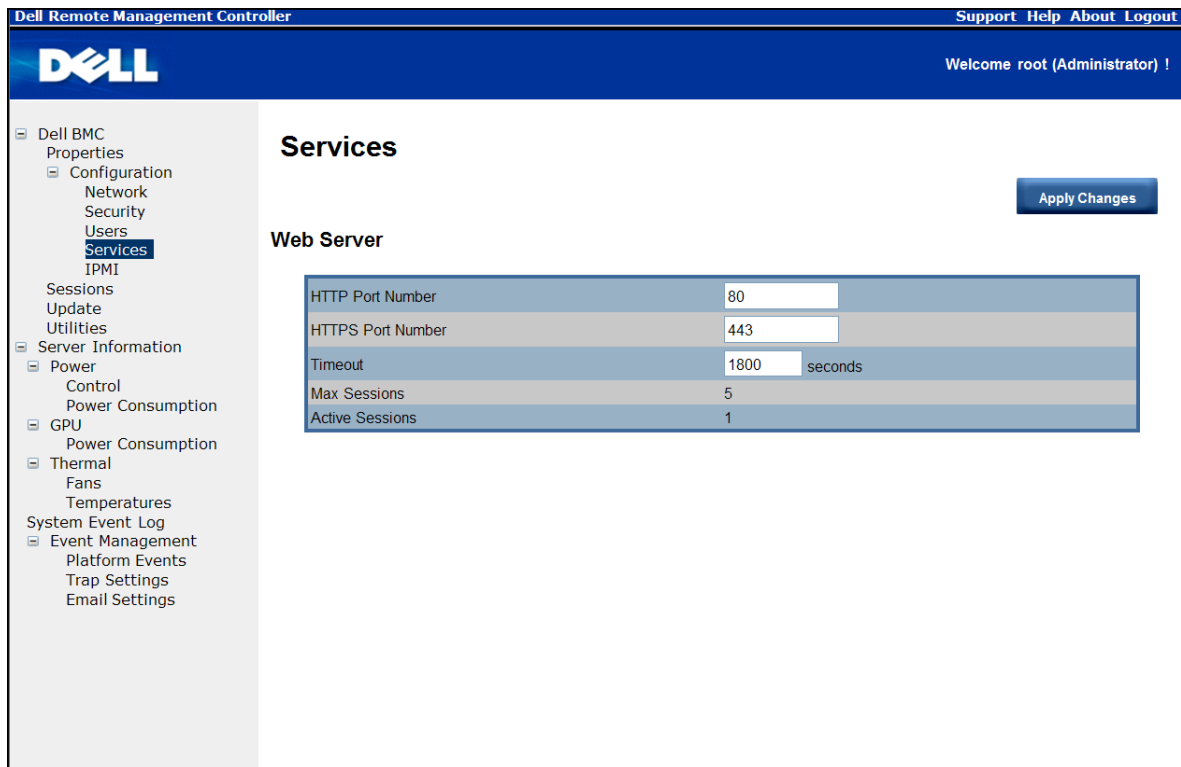
To configure a particular user, click the User ID.

User ID	State	User Name	User Role	IPMI LAN Privilege	IPMI Serial Privilege
1	Disabled		None	Administrator	Administrator
2	Enabled	root	Administrator	Administrator	Administrator
3	Disabled		None	None	None
4	Disabled		None	None	None
5	Disabled		None	None	None
6	Disabled		None	None	None
7	Disabled		None	None	None
8	Disabled		None	None	None
9	Disabled		None	None	None
10	Disabled		None	None	None
11	Disabled		None	None	None
12	Disabled		None	None	None
13	Disabled		None	None	None
14	Disabled		None	None	None
15	Disabled		None	None	None
16	Disabled		None	None	None

Services

You can configure the web server parameters (such as, HTTP Port Number, HTTPS Port Number, and Timeout) on a remote computer. By default, the timeout is 5 for the Max Sessions and 1 for the Active Sessions.

When you finish the configuration, click **Apply Changes**.



Dell Remote Management Controller Support Help About Logout

DELL Welcome root (Administrator) !

- ▣ Dell BMC
 - Properties
 - ▣ Configuration
 - Network
 - Security
 - Users
 - Services**
 - IPMI
 - Sessions
 - Update
 - Utilities
 - ▣ Server Information
 - ▣ Power
 - Control
 - Power Consumption
 - ▣ GPU
 - Power Consumption
 - ▣ Thermal
 - Fans
 - Temperatures
 - System Event Log
 - ▣ Event Management
 - Platform Events
 - Trap Settings
 - Email Settings

Services

[Apply Changes](#)

Web Server

HTTP Port Number	<input type="text" value="80"/>
HTTPS Port Number	<input type="text" value="443"/>
Timeout	<input type="text" value="1800"/> seconds
Max Sessions	5
Active Sessions	1

IPMI

This screen contains two sections: IPMI Serial and IPMI Settings.

IPMI Serial

There are three serial configuration in IPMI Serial: Connection Mode Settings, Baud Rate, and Channel Privilege Level Limit.

The Connection Mode Settings allows user to select the Console redirection type and to manage the system from a remote location.

Once the connection mode is set, select the Baud Rate from the drop-down list.

With Channel Privilege Level Limit, users can be configured to operate with a particular maximum Privilege Level. Privilege levels tell the BMC which commands are allowed to be executed. Table 3 lists the currently defined User Privilege Levels.

Table 3 User Privilege Levels

User	This may be considered the lowest privilege level.
Operator	All BMC commands are allowed, except for configuration commands that can change the behavior of the out-of-band interfaces. For example, Operator privilege does not allow the capability to disable individual channels, or change user access privileges.
Administrator	All BMC commands are allowed, including configuration commands. An Administrator can even execute configuration commands that would disable the channel that the Administrator is communicating over.

IPMI Settings

IPMI Settings provides remote configuration over LAN. To activate IPMI remote configuration by LAN, check **Enable IPMI Over LAN** option, define the Channel Privilege Level Limit, and enter the Encryption Key.

When you finish the configuration, click **Apply Changes**.

Sessions

This screen displays information on Active Sessions. Additionally, the trash can icon provides the delete function for privileged users. Click **Refresh** to refresh the Sessions status.

The screenshot shows the Dell Remote Management Controller (DRAC) interface. The top navigation bar includes 'Dell Remote Management Controller', 'Support Help About Logout', and the Dell logo. A welcome message reads 'Welcome root (Administrator) !'. The left sidebar contains a tree view of system settings, with 'Sessions' highlighted. The main content area is titled 'Sessions' and features a 'Refresh' button. Below the title, a text block explains the page's purpose: 'Use this page to view information about the active sessions. Additionally, privileged users can click on the trash can icon to kill an active session.' A table displays the active session details:

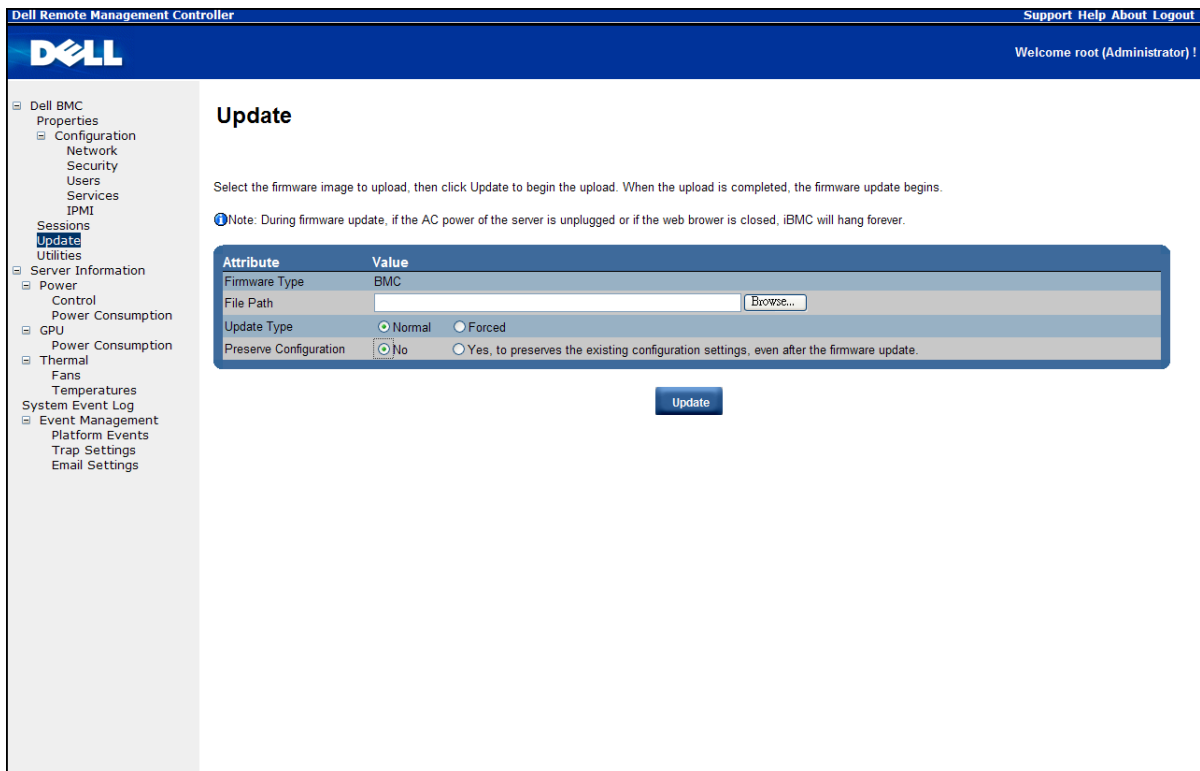
Session ID	User Name	IP Address	Session Type	Kill
1	root	10.1.2.67	GUI	N/A

Updates

The firmware can be updated remotely.

To update firmware, follow the instruction below:

1. Select the file on your local system using **Browse**.
2. Click **Update** to delete the current version and update to the new version.



Utilities

Utilities provides System reboot and Factory default restore functions.

To reboot system, click **Reboot**.

To restore factory default, click **Factory Default**.

Dell Remote Management Controller Support Help About Logout

DELL Welcome root (Administrator)!

- [-] Dell BMC
 - Properties
 - [-] Configuration
 - Network
 - Security
 - Users
 - Services
 - IPMI
 - Sessions
 - Update
 - Utilities**
 - [-] Server Information
 - [-] Power
 - Control
 - Power Consumption
 - [-] GPU
 - Power Consumption
 - [-] Thermal
 - Fans
 - Temperatures
 - System Event Log
 - [-] Event Management
 - Platform Events
 - Trap Settings
 - Email Settings

Utilities

Reboot

Click 'Reboot' button to reboot the System.

Factory Default

Click 'Factory Default' button to reset System to default.

Server Information

Power Control

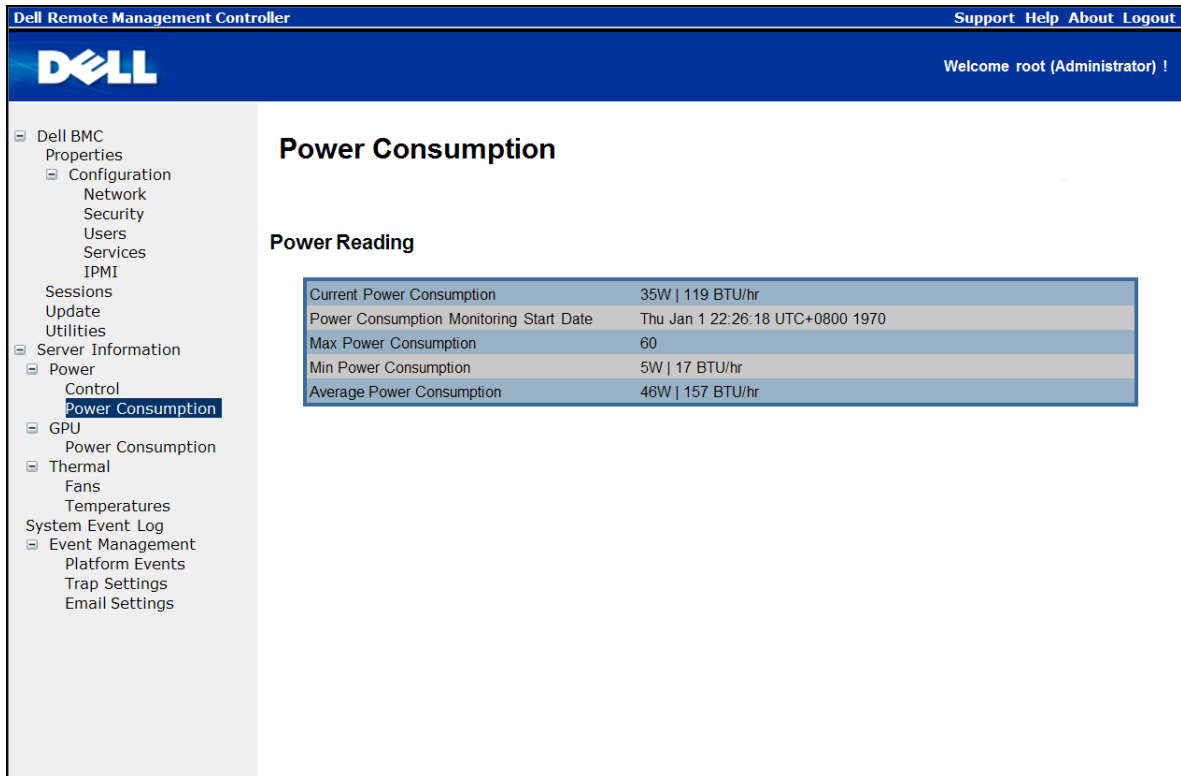
The Power Control allows you to power on/off/cycle the remote host system. Additionally you can see the remote power status.

To perform the power control operation, select the operation and click **Apply Changes**.

The screenshot shows the Dell Remote Management Controller (DRAC) interface. At the top, there is a navigation bar with the Dell logo on the left and links for Support, Help, About, and Logout on the right. Below the navigation bar, the user is logged in as 'root (Administrator)'. A left-hand sidebar contains a tree view of system settings, with 'Power Control' highlighted under the 'Power' section. The main content area is titled 'Power Control' and features an 'Apply Changes' button in the top right corner. Below the button, a text block explains that users can view the server's power status and perform operations like power on, power off, or power cycle. Two sections are visible: 'Power Status', which shows the system is 'ON', and 'Power Control Operations', which lists three options: 'Power On System' (unselected), 'Power Off System' (selected with a green radio button), and 'Power Cycle System' (unselected).

Power Consumption

This screen displays information on the system power consumption. The information includes Current Power Consumption, Power Consumption Monitoring Start Date, Max/Min Power Consumption, and Average Power Consumption.






The screenshot shows the Dell Remote Management Controller (DRAC) interface. The top navigation bar includes 'Dell Remote Management Controller', 'Support', 'Help', 'About', and 'Logout'. The user is logged in as 'root (Administrator)'. The left sidebar contains a navigation tree with 'Power Consumption' selected. The main content area displays the 'Power Consumption' page with a 'Power Reading' table.

Power Reading	
Current Power Consumption	35W 119 BTU/hr
Power Consumption Monitoring Start Date	Thu Jan 1 22:26:18 UTC+0800 1970
Max Power Consumption	60
Min Power Consumption	5W 17 BTU/hr
Average Power Consumption	46W 157 BTU/hr


GPU Power Consumption

This screen displays the status of GPU power consumption.

Each sensor displays different color to indicate the health status of a specified GPU device.

	The green color indicates the device is healthy and there's no sensor that has any alert.
	The yellow color indicates the device has at least one sensor that has warning alert.
	The red color indicates the device has at least one sensor that has a critical alert.

Dell Remote Management Controller
Support Help About Logout


Welcome root (Administrator) !

- ▣ Dell BMC
 - Properties
 - ▣ Configuration
 - Network
 - Security
 - Users
 - Services
 - IPMI
 - Sessions
 - Update
 - Utilities
- ▣ Server Information
 - ▣ Power
 - Control
 - Power Consumption
 - ▣ GPU
 - Power Consumption**
 - ▣ Thermal
 - Fans
 - Temperatures
 - System Event Log
 - ▣ Event Management
 - Platform Events
 - Trap Settings
 - Email Settings

Power Consumption




[Refresh](#)

Status	Probe Name	Reading	Warning Threshold		Failure Threshold	
			Minimum	Maximum	Minimum	Maximum
✓	GPU 1 Watt	4 Watts	0Watts	239Watts	0Watts	252Watts
✓	GPU 2 Watt	4 Watts	0Watts	239Watts	0Watts	252Watts
✓	GPU 3 Watt	4 Watts	0Watts	239Watts	0Watts	252Watts
✓	GPU 4 Watt	5 Watts	0Watts	239Watts	0Watts	252Watts
✓	GPU 5 Watt	4 Watts	0Watts	239Watts	0Watts	252Watts
✓	GPU 6 Watt	4 Watts	0Watts	239Watts	0Watts	252Watts
✓	GPU 7 Watt	4 Watts	0Watts	239Watts	0Watts	252Watts
✓	GPU 8 Watt	4 Watts	0Watts	239Watts	0Watts	252Watts
✓	GPU 9 Watt	4 Watts	0Watts	239Watts	0Watts	252Watts
✓	GPU 10 Watt	4 Watts	0Watts	239Watts	0Watts	252Watts
✓	GPU 11 Watt	4 Watts	0Watts	239Watts	0Watts	252Watts
✓	GPU 12 Watt	4 Watts	0Watts	239Watts	0Watts	252Watts
✓	GPU 13 Watt	4 Watts	0Watts	239Watts	0Watts	252Watts
✓	GPU 14 Watt	4 Watts	0Watts	239Watts	0Watts	252Watts
✓	GPU 15 Watt	4 Watts	0Watts	239Watts	0Watts	252Watts
✓	GPU 16 Watt	4 Watts	0Watts	239Watts	0Watts	252Watts

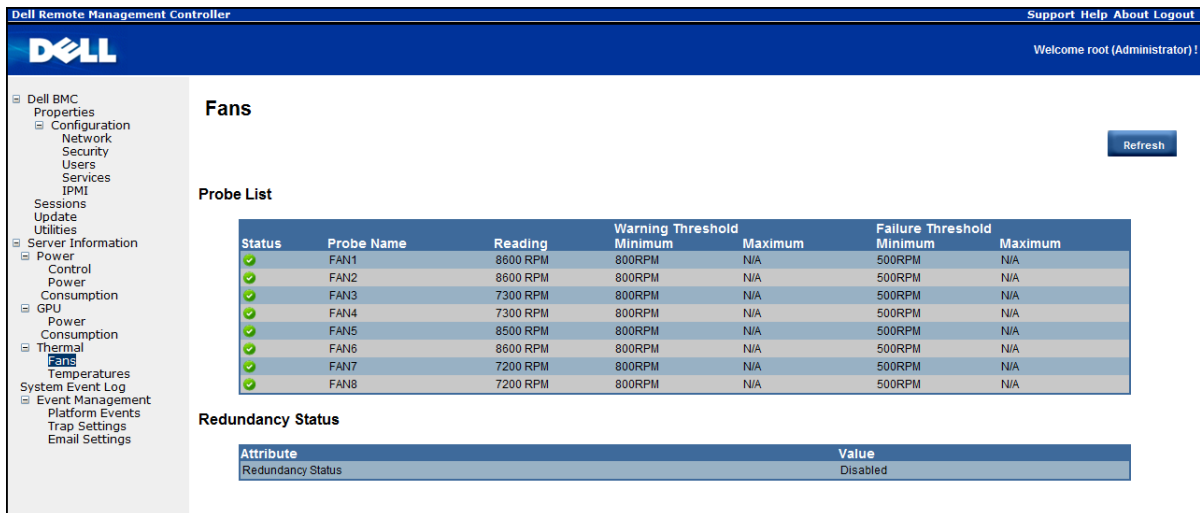
Thermal

This screen displays the Fans and Temperatures sensors of a remote host system.

Click **Refresh** to update current health status for both Fans and Temperatures.

	The green color indicates the device is healthy and there's no sensor that has any alert.
	The yellow color indicates the device has at least one sensor that has a warning alert.
	The red color indicates the device has at least one sensor that has a critical alert.

Fans



Fans

Refresh

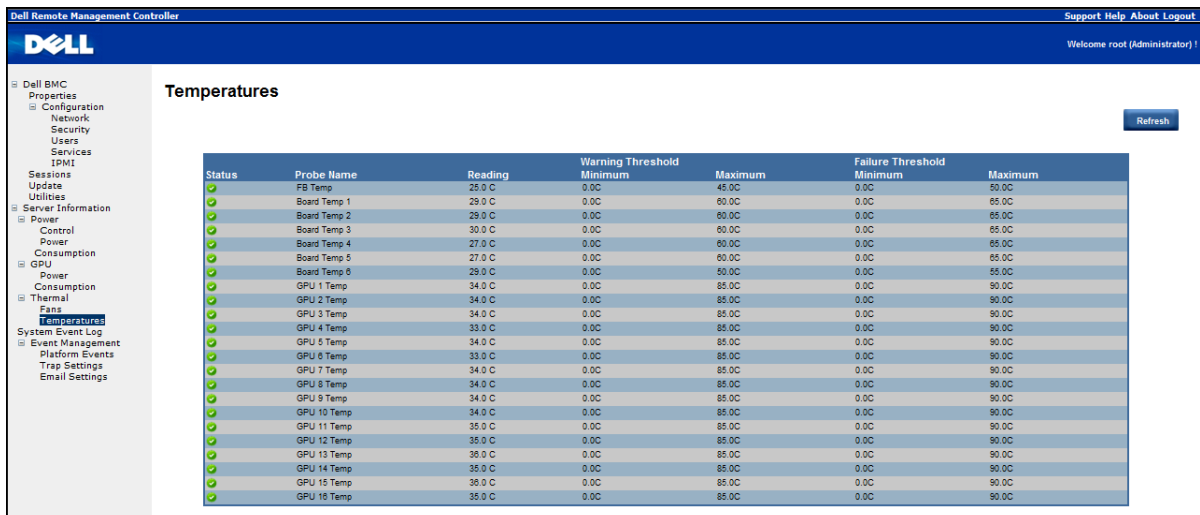
Probe List

Status	Probe Name	Reading	Warning Threshold Minimum	Maximum	Failure Threshold Minimum	Maximum
✓	FAN1	8600 RPM	800RPM	N/A	500RPM	N/A
✓	FAN2	8600 RPM	800RPM	N/A	500RPM	N/A
✓	FAN3	7300 RPM	800RPM	N/A	500RPM	N/A
✓	FAN4	7300 RPM	800RPM	N/A	500RPM	N/A
✓	FAN5	8500 RPM	800RPM	N/A	500RPM	N/A
✓	FAN6	8600 RPM	800RPM	N/A	500RPM	N/A
✓	FAN7	7200 RPM	800RPM	N/A	500RPM	N/A
✓	FAN8	7200 RPM	800RPM	N/A	500RPM	N/A

Redundancy Status

Attribute	Value
Redundancy Status	Disabled

Temperatures



Temperatures

Refresh

Status	Probe Name	Reading	Warning Threshold Minimum	Maximum	Failure Threshold Minimum	Maximum
✓	FB Temp	25.0 C	0.0C	45.0C	0.0C	50.0C
✓	Board Temp 1	29.0 C	0.0C	60.0C	0.0C	65.0C
✓	Board Temp 2	29.0 C	0.0C	60.0C	0.0C	65.0C
✓	Board Temp 3	30.0 C	0.0C	60.0C	0.0C	65.0C
✓	Board Temp 4	27.0 C	0.0C	60.0C	0.0C	65.0C
✓	Board Temp 5	27.0 C	0.0C	60.0C	0.0C	65.0C
✓	Board Temp 6	29.0 C	0.0C	50.0C	0.0C	55.0C
✓	GPU 1 Temp	34.0 C	0.0C	85.0C	0.0C	90.0C
✓	GPU 2 Temp	34.0 C	0.0C	85.0C	0.0C	90.0C
✓	GPU 3 Temp	34.0 C	0.0C	85.0C	0.0C	90.0C
✓	GPU 4 Temp	33.0 C	0.0C	85.0C	0.0C	90.0C
✓	GPU 5 Temp	34.0 C	0.0C	85.0C	0.0C	90.0C
✓	GPU 6 Temp	33.0 C	0.0C	85.0C	0.0C	90.0C
✓	GPU 7 Temp	34.0 C	0.0C	85.0C	0.0C	90.0C
✓	GPU 8 Temp	34.0 C	0.0C	85.0C	0.0C	90.0C
✓	GPU 9 Temp	34.0 C	0.0C	85.0C	0.0C	90.0C
✓	GPU 10 Temp	34.0 C	0.0C	85.0C	0.0C	90.0C
✓	GPU 11 Temp	35.0 C	0.0C	85.0C	0.0C	90.0C
✓	GPU 12 Temp	35.0 C	0.0C	85.0C	0.0C	90.0C
✓	GPU 13 Temp	36.0 C	0.0C	85.0C	0.0C	90.0C
✓	GPU 14 Temp	35.0 C	0.0C	85.0C	0.0C	90.0C
✓	GPU 15 Temp	36.0 C	0.0C	85.0C	0.0C	90.0C
✓	GPU 16 Temp	35.0 C	0.0C	85.0C	0.0C	90.0C

System Event Log

System Event Log: It records the event when sensor has an abnormal state. When the log matches the pre-defined alert, the system sends out the notification automatically, if it is pre-configured.

System Event Log

Save Log Clear Log Refresh

<<Newest <Newer Log Entries 1 to 20 Older>

Entries Per Pages: 20

Severity	Date/Time	Description
✖	[System Boot]	FAN8: Fan sensor, failure event was asserted
!	[System Boot]	FAN8: Fan sensor, warning event was asserted
✖	[System Boot]	FAN7: Fan sensor, failure event was asserted
!	[System Boot]	FAN7: Fan sensor, warning event was asserted
✖	[System Boot]	FAN6: Fan sensor, failure event was asserted
!	[System Boot]	FAN6: Fan sensor, warning event was asserted
✖	[System Boot]	FAN5: Fan sensor, failure event was asserted
!	[System Boot]	FAN5: Fan sensor, warning event was asserted
✖	[System Boot]	FAN4: Fan sensor, failure event was asserted
!	[System Boot]	FAN4: Fan sensor, warning event was asserted
✖	[System Boot]	FAN3: Fan sensor, failure event was asserted
!	[System Boot]	FAN3: Fan sensor, warning event was asserted
✖	[System Boot]	FAN2: Fan sensor, failure event was asserted
!	[System Boot]	FAN2: Fan sensor, warning event was asserted
✖	[System Boot]	FAN1: Fan sensor, failure event was asserted
!	[System Boot]	FAN1: Fan sensor, warning event was asserted
✖	2010-01-01 00:02:02	FAN8: Fan sensor, failure event was asserted
!	2010-01-01 00:02:02	FAN8: Fan sensor, warning event was asserted
✖	2010-01-01 00:02:02	FAN7: Fan sensor, failure event was asserted
!	2010-01-01 00:02:02	FAN7: Fan sensor, warning event was asserted

Platform Events

A platform event filter (PEF) can trigger an action and generate an alert when a critical hardware-related event occurs. For each PEF, you can choose the action to be taken when a platform event occurs. You can also choose to generate and send an alert when a platform event occurs.

In the Platform Events screen, you can enable the generation of platform event alerts globally by clicking **Global Alerting Enable**.

When you finish the configuration, click **Apply Changes**.

The screenshot displays the Dell Remote Management Controller (DRAC) interface for configuring Platform Events. The top navigation bar includes the Dell logo, the text 'Dell Remote Management Controller', and links for 'Support', 'Help', 'About', and 'Logout'. A user greeting 'Welcome root (Administrator)!' is visible on the right. The left sidebar contains a tree view of system settings, with 'Platform Events' selected under 'Event Management'. The main content area is titled 'Platform Events' and features an 'Apply Changes' button. Below the title is the 'Platform Event Filters (PEF) List' section, which includes a checkbox for 'Global Alerting Enable' and a note: 'Note: (This enables/disables both PET and email alerts)'. A table lists three filters with columns for 'Filter Name', 'None', 'Power Cycle', 'Power Off', and 'Generate PET'.

Filter Name	None	Power Cycle	Power Off	Generate PET
Fan Assert Filter	<input checked="" type="radio"/>	<input type="radio"/>	<input type="radio"/>	<input type="checkbox"/>
Temperature Warning Assert Filter	<input checked="" type="radio"/>	<input type="radio"/>	<input type="radio"/>	<input type="checkbox"/>
Temperature Critical Assert Filter	<input checked="" type="radio"/>	<input type="radio"/>	<input type="radio"/>	<input type="checkbox"/>

Traps Settings

In the Trap Settings, user can set the IPv4 and Ipv6 Destination List.

IPv6 and IPv4 are two completely separate protocols. IPv6 is not backwards compatible with IPv4, and IPv4 hosts and routers will not be able to deal directly with IPv6 traffic.

IPv6 has a significantly larger address space than IPv4. This results from the use of a 128-bit address, whereas IPv4 uses only 32 bits.

When you finish the configuration, click **Apply Changes**.

The screenshot displays the 'Trap Settings' page in the Dell Remote Management Controller (iDRAC) web interface. The page is titled 'Trap Settings' and includes a navigation menu on the left, a main content area, and a top navigation bar. The top bar shows 'Dell Remote Management Controller' and 'Support Help About Logout'. The user is logged in as 'root (Administrator)'. The navigation menu includes options like 'Dell BMC Properties', 'Configuration', 'Server Information', 'Power', 'GPU', 'Thermal', 'Fans', 'Temperatures', 'System Event Log', 'Event Management', 'Platform Events', 'Trap Settings', and 'Email Settings'. The main content area is divided into three sections: 'IPv4 Destination List', 'IPv6 Destination List', and 'Community String'. The 'IPv4 Destination List' table has four rows, each with an 'Enable' checkbox, an 'IPv4 Address' input field, and a 'Send Test Trap' button. The first row is enabled with the address '0.0.0.0'. The 'IPv6 Destination List' table has four rows, each with an 'Enable' checkbox, an 'IPv6 Address' input field, and a 'Send Test Trap' button. All are currently disabled. The 'Community String' section has a 'Community Name' input field with the value 'public'. An 'Apply Changes' button is located in the top right corner of the main content area.

Trap Settings

IPv4 Destination List

	Enable	IPv4 Address	Send Test Trap
IPv4 Destination 1	<input checked="" type="checkbox"/>	0.0.0.0	Send Test Trap
IPv4 Destination 2	<input type="checkbox"/>	0.0.0.0	Send Test Trap
IPv4 Destination 3	<input type="checkbox"/>	0.0.0.0	Send Test Trap
IPv4 Destination 4	<input type="checkbox"/>	0.0.0.0	Send Test Trap

IPv6 Destination List

	Enable	IPv6 Address	Send Test Trap
IPv6 Destination 1	<input type="checkbox"/>	::	Send Test Trap
IPv6 Destination 2	<input type="checkbox"/>	::	Send Test Trap
IPv6 Destination 3	<input type="checkbox"/>	::	Send Test Trap
IPv6 Destination 4	<input type="checkbox"/>	::	Send Test Trap

Community String

Community Name: public

Apply Changes

Email Settings

If you want the alert to be sent by email, you can configure to specify the e-mail address, subject and message in the Email Settings. After you finish the configuration, click **Apply Change** to save the settings.

The screenshot shows the Dell Remote Management Controller (DRMC) interface. The top header includes the Dell logo, the text 'Dell Remote Management Controller', and user information 'Support Help About Logout' and 'Welcome root (Administrator) !'. The left navigation menu lists various system settings, with 'Email Settings' highlighted. The main content area is titled 'Email Settings' and features an 'Apply Changes' button. Below this is a section for 'Destination Email Addresses' containing a table with four rows, each representing an email alert. Each row has columns for 'Enable', 'Destination E-mail Address', 'Email Description', and 'Test'. The 'Enable' column contains checkboxes, and the 'Test' column contains 'Send Alert' buttons. Below the table is a section for 'SMTP (e-mail) Server IP Address' with a text input field containing '0.0.0.0'.

	Enable	Destination E-mail Address	Email Description	Test
Email Alert 1	<input type="checkbox"/>	<input type="text"/>	MergePoint email ale	Send Alert 1
Email Alert 2	<input type="checkbox"/>	<input type="text"/>	MergePoint email ale	Send Alert 2
Email Alert 3	<input type="checkbox"/>	<input type="text"/>	MergePoint email ale	Send Alert 3
Email Alert 4	<input type="checkbox"/>	<input type="text"/>	MergePoint email ale	Send Alert 4

SMTP (e-mail) Server IP Address

SMTP IP Address

Chapter 5: Troubleshooting Your System

Safety First—For You and Your System

⚠ WARNING: Whenever you need to lift the system, get others to assist you. To avoid injury, do not attempt to lift the system by yourself.

⚠ WARNING: Before removing the system cover, disconnect all power, then unplug the AC power cord, and then disconnect all peripherals, and all LAN lines.

⚠ CAUTION: Many repairs may only be done by a certified service technician. You should only perform troubleshooting and simple repairs as authorized in your product documentation, or as directed by the online or telephone service and support team. Damage due to servicing that is not authorized by Dell is not covered by your warranty. Read and follow the safety instructions that came with the product.

Symptom: iPass card / port not recognized by the system

Check System Status (System must stay switched off)

1. Plug-in all four power cords to the 220V A/C power supply.

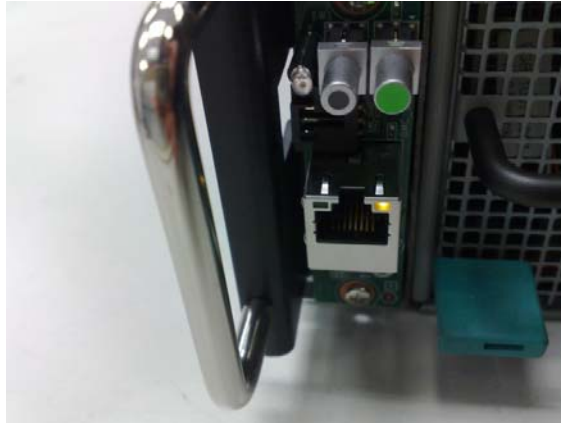
📎 NOTE: Do not press power button on the system.

2. Check front panel LED (ID and Power LED)

- ID and Power LED should not light at the beginning.
- After 30 seconds or so, when BMC is ready, ID LED and Power LED blink once.



3. System powers on. After 40 seconds, power LED lights.



4. When GPU cards are ready, power on the system for test.
5. All GPU cards LED should lights. If not, see **Checking GPU Card** on page 57.



Checking GPU Card

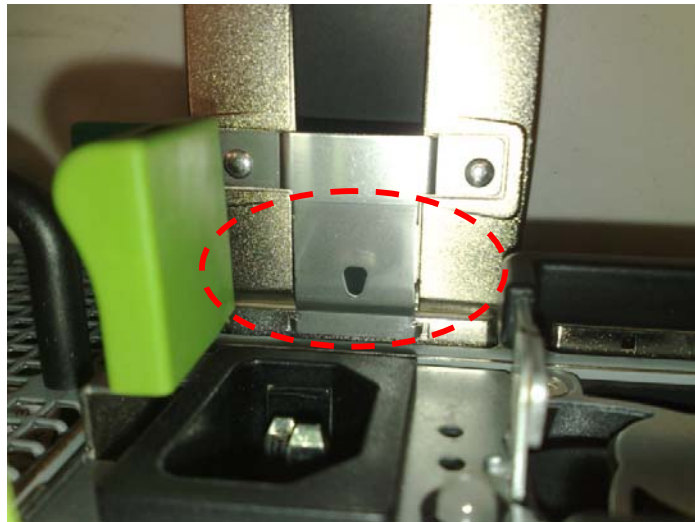
1. Power off and remove top cover.
2. Power on and check if GPU card LED lights.



3. If not, power off, then reinstall GPU card again or swap GPU card.
4. If not, see **Check iPass cable**.

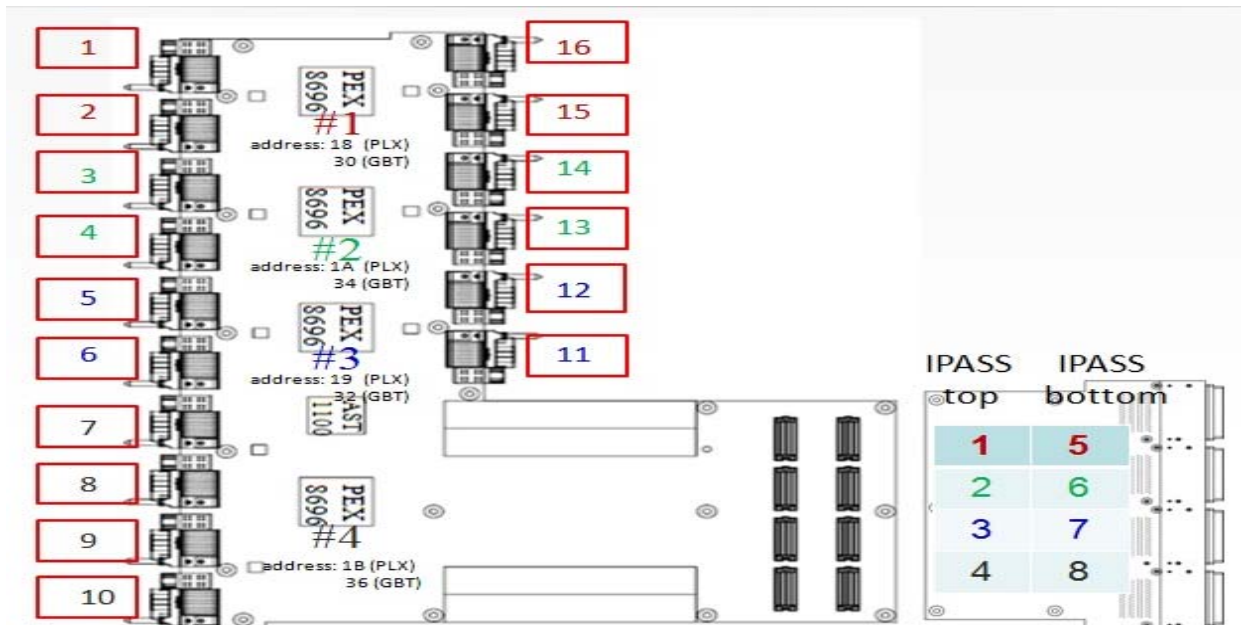
Checking iPass Cable

1. Check if iPass cable is properly connected.



2. If not, power off the system and plug-in power cable again.
3. If not, swap iPass cable.

Checking iPass Connector to PowerEdge C6100 Systems

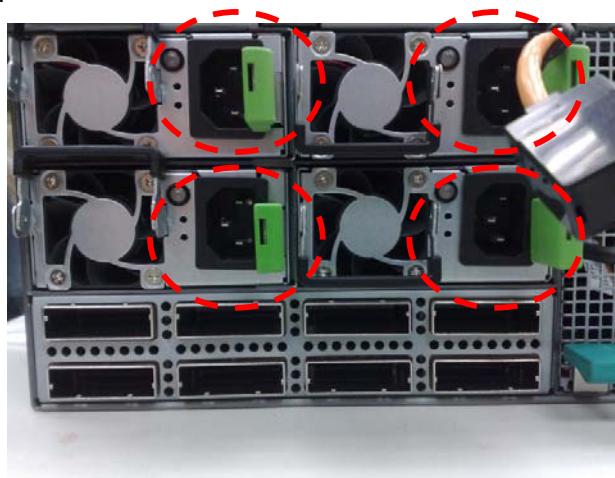


1. Check BTB Connectors to iPass Board.
2. Check System SMBUs device routing table.

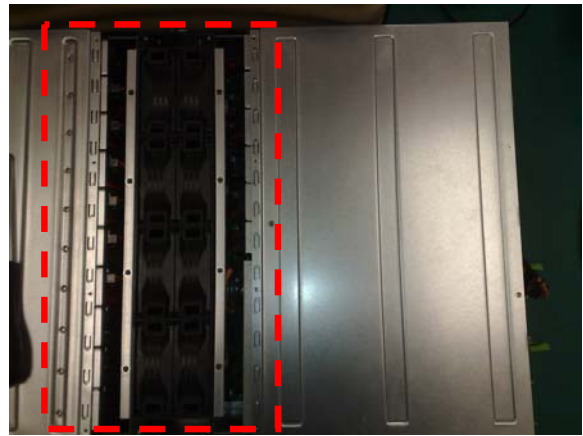
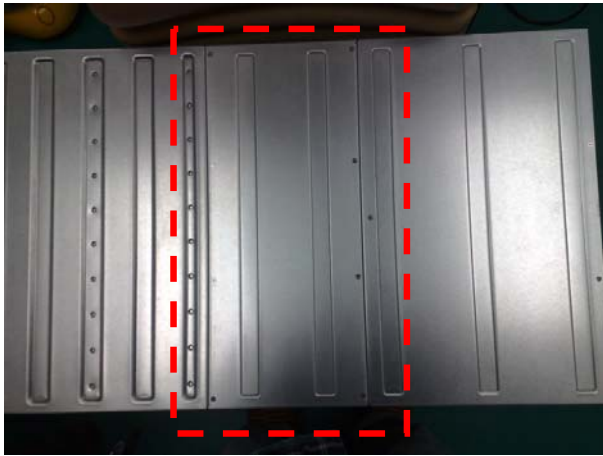
IPASS TOP		IPASS Bottom	
iPass 1:	Slot 1/15	iPass 5:	Slot 2/16
iPass 2:	Slot 3/13	iPass 6:	Slot 4/14
iPass 3:	Slot 5/11	iPass 7:	Slot 6/12
iPass 4:	Slot 7/9	iPass 8:	Slot 8/10

Check if iPass Board (GS-IPASS2 / GS-IPASS3) is installed properly

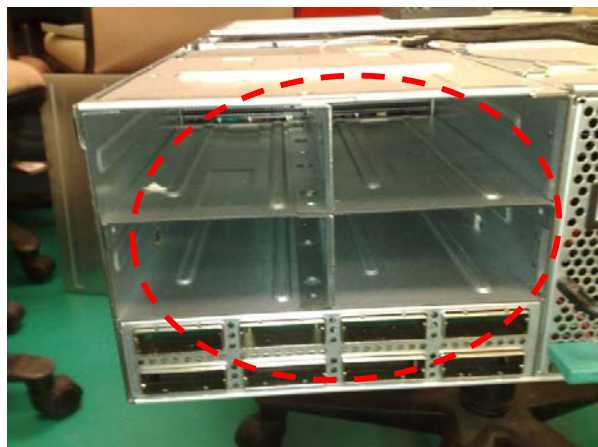
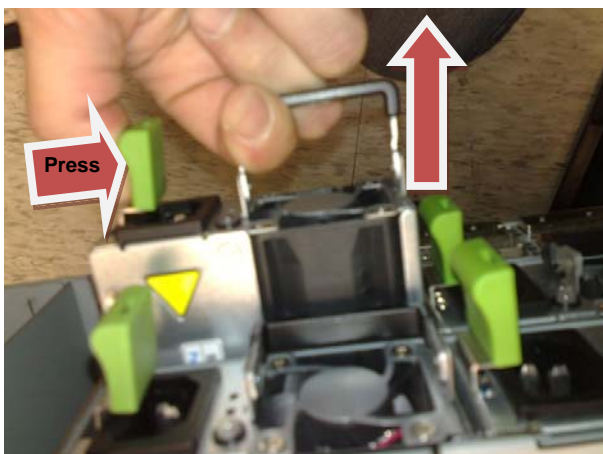
1. Power off the system.



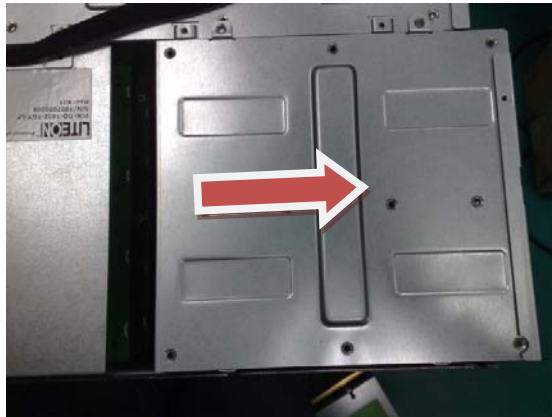
2. Remove top cover.



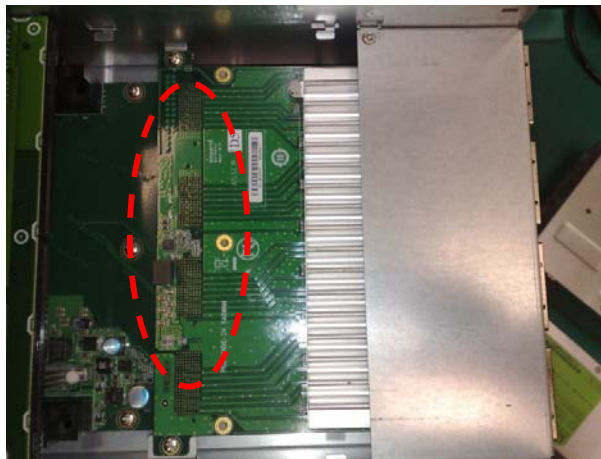
3. Remove PSU top cover.



4. Remove power cage.



5. Press iPass board to ensure it contacts middle plane.



6. Restart system and test it again.

Chapter 6: Getting Help

Contacting Dell

For customers in the United States, call 800-WWW-DELL (800-999-3355).

NOTE: If you do not have an active Internet connection, you can find contact information on your purchase invoice, packing slip, bill, or Dell product catalog.

Dell provides several online and telephone-based support and service options. Availability varies by country and product, and some services may not be available in your area. To contact Dell for sales, technical support, or customer service issues:

1. Visit **support.dell.com**.
2. Click your country/region at the bottom of the page. For a full listing of country/region click **All**.
3. Click **All Support** from **Support** menu.
4. Select the appropriate service or support link based on your need.
5. Choose the method of contacting Dell that is convenient for you.

Index

- back view, 3
- cable routings, 31
- checking GPU card, 55
- checking iPass cable, 56
- checking iPass connector, 57
- checklist, 1
- configuring
 - IPMI, 41
 - network, 37
 - security, 38
 - services, 40
 - sessions, 43
 - user, 39
- email settings, 53
- firmware
 - updates, 44
- front I/O panel
 - replacing, 26
- front view, 2
- getting help
 - contacting Dell, 60
- GPGPU cage, 9
- GPU power consumption, 48
- initial configuration via DHCP server, 33
- iPass board
 - replacing, 22
- iPass port mapping, 32
- LAN LEDs, 5
- middle board
 - replacing, 25
- middle board connectors and jumpers, 7
- platform events, 51
- power consumption, 47
- power distribution board
 - removing, 19
- power supplies, 18
- rail and system
 - installing, 28
- remote management console
 - overview, 35
- safety measures, 6
- server information
 - power control, 46
- system cover, 8
- system event log, 50
- system fans, 14
- system fans cages, 16
- system LEDs
 - front, 4
- traps settings, 52
- troubleshooting your system, 54
- utilities, 45

Free Manuals Download Website

<http://myh66.com>

<http://usermanuals.us>

<http://www.somanuals.com>

<http://www.4manuals.cc>

<http://www.manual-lib.com>

<http://www.404manual.com>

<http://www.luxmanual.com>

<http://aubethermostatmanual.com>

Golf course search by state

<http://golfingnear.com>

Email search by domain

<http://emailbydomain.com>

Auto manuals search

<http://auto.somanuals.com>

TV manuals search

<http://tv.somanuals.com>