

Canon

Exif Print

Photo Printer

PIXMA iP2600 series

Quick Start Guide



QT51427V01

Getting Help from Canon

Help Us Help You Better

Before you contact Canon, please record the following information.

Serial Number (located on the inside of the product): _____

Model Number (located on the top of the product): _____

Setup CD-ROM number (located on the CD-ROM): _____

Purchase Date: _____

Customer Technical Support Sequence*

1. Internet — www.canontechsupport.com

For quick and comprehensive self-help in an intuitively guided interactive troubleshooting environment, the place to start is our helpful tech support web site. In addition, the latest driver downloads, answers to frequently asked questions, product information, and "where to buy" instructions are found here.

2. Email Tech Support — www.canontechsupport.com

For individual attention to a special issue, try emailing our friendly technical support representatives, specially trained to communicate quick, easy, and logical solutions to your inquiries within 24 hours.

3. Toll-Free Live Tech Support — (1-800-828-4040)

This option provides live telephone technical support, free of service charges, Monday-Saturday (excluding holidays), during your product's 90 days limited warranty period. Telephone Device for the Deaf (TDD) support is available at (1-866-251-3752).

4. Extended Service and Support — www.canonesp.com

Canon CarePAK Extended Service Plan is a cost-attractive and easy-to-use extended service program that provides up to three full years of service and support coverage at a very attractive price. CarePAK offers toll-free Canon technical support and includes Canon's superb InstantExchange product replacement program. For further information about extending your Canon service and support, call (1-800-385-2155), or visit our Web site at www.canonesp.com. CarePAK must be purchased during your product's warranty period.

For more information and updated program specifics, please visit our web site at www.canontechsupport.com.

* Support program specifics are subject to change without notice.

Canon

PIXMA iP2600 series

Photo Printer

Quick Start Guide

© CANON INC.2008

All rights reserved. No part of this publication may be transmitted or copied in any form whatsoever without the express written Permission.

Disclaimer

Canon U.S.A., Inc. has reviewed this manual thoroughly in order that it will be an easy-to-use guide to your Canon PIXMA iP2600 series Photo Printer. All statements, technical information and recommendations in this manual and in any guides or related documents are believed reliable, but the accuracy and completeness thereof are not guaranteed or warranted, and they are not intended to be, nor should they be understood to be, representation or warranties concerning the products described.

Depending on your application program, operations may differ. For details, refer to the instruction manual of your application. The steps described in this manual are in Windows Vista™ operating system Ultimate Edition (hereafter referred to as "Windows Vista") and Mac® OS X v.10.4.x.

All information regarding non-Canon products was compiled from publicly available information. No representation is made regarding the accuracy thereof.



As an ENERGY STAR® Partner, Canon Inc. has determined that this product meets the ENERGY STAR® guidelines for energy efficiency.

About Consumables

Consumables (ink tanks / FINE Cartridges) are available for 5 years after production has stopped.

Trademarks

- "Microsoft" is a registered trademark of Microsoft Corporation.
- "Windows" is a trademark of Microsoft Corporation, registered in the U.S. and other countries.
- "Windows Vista" is a trademark of Microsoft Corporation.
- "Macintosh" and "Mac" are trademarks of Apple Inc., registered in the U.S. and other countries.

Table of Contents

Introduction	2
Safety Precautions	3
Before Using the Printer	6
Included Items	6
Turning the Printer On and Off	6
Loading Printing Paper	8
Printing from Your Computer	16
Printing with Windows.....	16
Printing with Macintosh.....	17
Routine Maintenance	18
When Printing Becomes Faint or Colors Are In- correct.....	18
Printing the Nozzle Check Pattern.....	19
Examining the Nozzle Check Pattern	21
Print Head Cleaning.....	22
Print Head Deep Cleaning.....	25
Aligning the Print Head	27
Replacing a FINE Cartridge.....	31
Keeping the Best Printing Results	36
Cleaning Your Printer	37
Troubleshooting	43
Cannot Install the Printer Driver.....	44
The USB Connection Does Not Work Properly 45	
Print Results Not Satisfactory	46
Printer Does Not Start.....	50
Paper Does Not Feed Properly.....	51
Paper Jams.....	52
Alarm Lamp Flashes Orange.....	53
Message Appears on the Computer Screen.....	55
Appendix	57
How to Use the Documentation Provided.....	57
Reading the On-screen Manuals	58
Solution Menu (Windows Only)	59
My Printer (Windows Only)	59
Specifications.....	60
Users in the U.S.A.	62
Index	66

Introduction

This *Quick Start Guide* uses the following symbols to indicate important information. Always observe the instructions indicated by these symbols.

Warning

Instructions that, if ignored, could result in death or serious personal injury caused by incorrect operation of the equipment. These must be observed for safe operation.

Caution

Instructions that, if ignored, could result in personal injury or material damage caused by incorrect operation of the equipment. These must be observed for safe operation.

Important

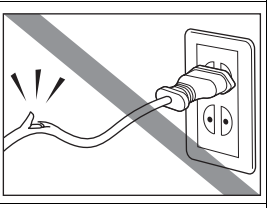
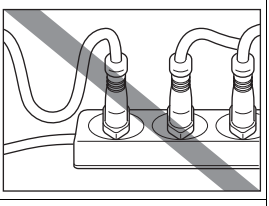
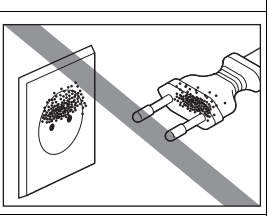
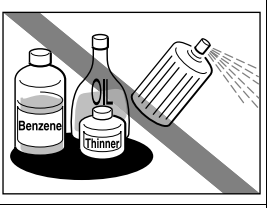
Instructions that must be observed for safe operation.

▲ Safety Precautions

Please read the safety warnings and cautions provided in this manual to ensure that you use the printer safely. Do not attempt to use the printer in any way not described in this manual.

▲ Warning

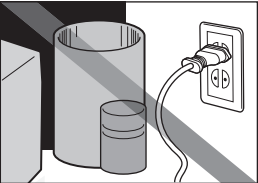
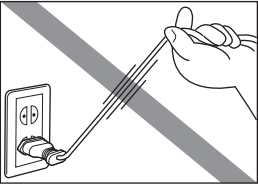
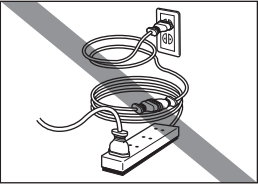
You may cause an electric shock, fire, or damage the printer if you ignore any of these safety precautions.

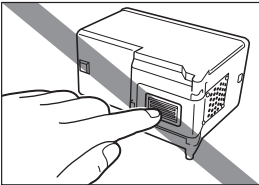
Choosing a location	Do not place the printer close to flammable solvents such as alcohol or thinners.	
Power supply	Never attempt to plug in or unplug the printer from the power supply when your hands are wet.	
	Always push the plug all the way into the power outlet.	
	Never damage, modify, stretch or excessively bend or twist the power cord. Do not place heavy objects on the power cord.	
	Never plug the printer into a power socket that is shared with other equipment (extension lead/cord, 2- or 3-way adapter, etc.).	
	Never use the printer if the power cord is bundled or knotted.	
	If you detect smoke, unusual smells or strange noises around the printer, immediately unplug the printer at the power supply and call for service.	
Periodically, unplug the printer and use a dry cloth to wipe off any dust or dirt collected on the plug and the power outlet. If the printer is placed at a location exposed to a lot of dust, smoke, or high humidity, the dust collected on the plug absorbs moisture and may cause insulation failure and fire.		
If you hear thunder, disconnect the power supply of the printer and refrain from using it. Leaving the printer plugged in may cause fire, electric shock, or damage to the printer, depending on the thunder storm.		
Use the power cable included with the printer.		
Cleaning the printer	Use a damp cloth to clean the printer. Never use flammable solvents such as alcohol, benzene or thinners. If flammable solvents come in contact with electrical components inside the printer, it could cause a fire or electric shock.	
	Always unplug the printer from the power outlet before cleaning the printer. If you accidentally switch the printer on while cleaning it, you could injure yourself or damage the printer.	

Maintaining the printer	Do not attempt to disassemble or modify the printer. There are no user serviceable parts inside the printer. The printer contains high-voltage components. Never attempt any maintenance procedure not described in this guide.
Working around the printer	Do not use highly flammable sprays near the printer. This could cause a fire or electric shock if the spray comes into contact with electrical components inside the printer.

⚠ Caution

You may cause injury or damage the printer if you ignore any of these safety precautions.

Choosing a location	Do not install the printer in a location that is unstable or subject to excessive vibration.
	Do not install the printer in locations that are very humid or dusty, in direct sunlight, outdoors, or close to a heating source.
	To avoid the risk of fire or electric shocks, install the printer in a location with an ambient temperature range of 5°C to 35°C (41°F to 95°F) and humidity of 10% to 90% (condensation free).
	Do not place the printer on a thick rug or carpet. Do not place the printer with its back attached to the wall.
Power supply	Ensure that the area around the power outlet is kept clear at all times so you can easily unplug the power plug if necessary. 
	Never remove the plug by pulling on the cord. 
	Do not use an extension lead/cord. 
Working around the printer	Never put your hands or fingers in the printer while it is printing.
	Do not place any object on the printer.
	Do not place metal objects (paper clips, staples, etc.) or containers of flammable solvents (alcohol, thinners, etc.) on top of the printer.
	If any foreign object (metal or liquid) fall into the printer, unplug the power plug and call for service.
	Do not transport or store the printer on a slant, vertically or upside-down, as the ink may leak and damage the printer.

FINE Cartridges (Ink Cartridges)	<p>Keep FINE Cartridges (Ink Cartridges) out of the reach of children.</p> <p>In case ink is accidentally licked or swallowed, rinse out mouth or give one or two glasses of water to drink.</p> <p>If irritation or discomfort occurs, obtain medical advice immediately.</p>
	<p>In case ink gets in contact with eyes, rinse with water immediately.</p> <p>In case ink gets in contact with skin, wash with soap and water immediately.</p> <p>If irritation to eyes or skin persists, obtain medical advice immediately.</p>
	<p>Do not shake FINE Cartridges (Ink Cartridges).</p> <p>Ink may spill out and stain clothing or the surrounding area.</p>
	<p>Never touch the electrical contacts or Print Head Nozzles on a FINE Cartridge (Ink Cartridge) after printing. The metal parts may be very hot and could cause burns.</p>
	
<p>Do not throw FINE Cartridges (Ink Cartridges) into fire.</p>	

Before Using the Printer

Included Items

Check that all the following items are in the box. If anything is missing or damaged, contact your Canon Service representative.

- Printer
- Setup CD-ROM
- Easy Setup Instructions (Setup Sheet)
- Quick Start Guide
- Canon Black and Color FINE Cartridges
- Power cord
- Additional documents

* A USB cable is necessary to connect the printer with your computer.

Turning the Printer On and Off

Turn on the printer before printing.

■ Turning on the Printer

Note

If preparatory operations below are not complete, follow your setup sheet to complete them.

- The FINE Cartridges are set into place.
 - The printer is connected to your computer (or a compatible device).
 - The printer driver is installed.
-

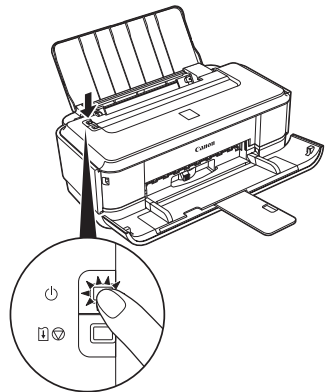
1 Press the **Power** button.

The **Power** lamp flashes green, and changes to steady, non-flashing light.

Note

If the **Alarm** lamp begins to flash orange, see “Alarm Lamp Flashes Orange” on page 53.

2 Turn on your computer.



■ Turning off the Printer

1 To turn off the printer, press the **Power** button.

When the **Power** lamp stops flashing, the printer is turned off.

This takes a few seconds or as long as around 15 seconds.

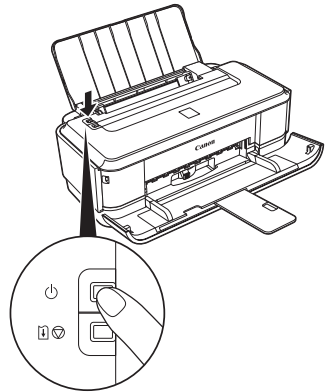
Important

When turning off the printer

Follow the procedure below to turn off the printer.

1. Confirm that the **Power** lamp on the printer has gone out.
2. Unplug the power plug from the wall outlet or switch off the power outlet strip.

When you press the **Power** button to turn off the printer, the printer automatically puts a protective cap on the Print Head to prevent the ink from drying. If you remove the power plug or switch off the power outlet strip before the **Power** lamp goes out, this capping will not be done properly, causing the Print Head to dry and clog.



Loading Printing Paper

This section describes how to load printing paper in the Rear Tray.

■ Using Specialty Media

Canon recommends that you use Canon genuine media to ensure optimal print quality.

● Photo Quality Media

- Glossy Photo Paper
- Photo Paper Plus Semi-gloss
- Photo Paper Plus Glossy
- Photo Paper Plus Glossy II
- Photo Paper Pro
- Matte Photo Paper
- Photo Stickers



● Media Suited for Business Documents

- High Resolution Paper
- Super White Paper



■ Paper Handling

● Recommended Paper and Requirements

Media Type	Model ^{*1}	Paper Support Load Limit	Paper Output Tray Load Limit	Paper Thickness Lever ^{*2}	Printer Driver Setting for Media Type
Plain Paper ^{*3}	—	Around 100 sheets	Around 50 sheets	Left	Plain Paper
Envelopes ^{*4}	—	5 envelopes	^{*6}	Right	Envelope
High Resolution Paper	HR-101N	80 sheets	50 sheets	Left	High Resolution Paper
Super White Paper	SW-201	80 sheets	50 sheets	Left	Plain Paper
Glossy Photo Paper "Everyday Use" ^{*5}	GP-501	A4, Letter, 5" x 7" / 127.0 x 177.8 mm, and 8" x 10" / 203.2 x 254.0 mm: 10 sheets 4" x 6" / 101.6 x 152.4 mm and Wide: 20 sheets	^{*6}	Left	Glossy Photo Paper
Matte Photo Paper	MP-101			Left	Matte Photo Paper
Photo Paper Glossy	GP-502			Left	Glossy Photo Paper
Photo Paper Plus Semi-gloss ^{*5}	SG-201			Left	Photo Paper Plus Semi-gloss
Photo Paper Pro ^{*5}	PR-101			Left	Photo Paper Pro
Photo Paper Plus Glossy ^{*5}	PP-101			Left	Photo Paper Plus Glossy
Photo Paper Plus Glossy II ^{*5}	PP-201			Left	Photo Paper Plus Glossy II
Photo Stickers	PS-101			Left	Glossy Photo Paper
T-Shirt Transfers	TR-301			Right	T-Shirt Transfers

^{*1} Paper with a Model Number is Canon specialty media. Refer to the instruction manual supplied with the paper for detailed information on the printable side and notes on handling paper. For information on the paper sizes available for each Canon genuine paper, visit our website. You may not be able to purchase some Canon genuine papers depending on the country or region of purchase. Paper is not sold in the US by Model Number. Purchase paper by name.

^{*2} If the corners or edges of the paper are smudged, try to print with the Paper Thickness Lever set to the right. It may improve print quality. Reset the Paper Thickness Lever to the left when you finish printing. For details on the Paper Thickness Lever, refer to "Inside" in "Main Components" of the *User's Guide* on-screen manual.

^{*3} Proper feeding of paper may not be possible at the maximum capacity depending on the type of paper or environmental conditions (either very high or low temperature and humidity). In such cases, reduce the sheets of paper you load at a time to around half (around 0.2 inches / 5 mm in paper stack height).

^{*4} If envelopes cannot be fed properly, reduce sheets of envelopes in the Rear Tray.

^{*5} When loading paper in stacks, the print side may be marked as it is fed in or sheets may be stuck to one another causing them not to be fed properly. In this case, load one sheet at a time.

^{*6} We recommend that you remove the previously printed sheet or envelope from the Paper Output Tray before continuously printing to avoid blurs and discoloration.

Important

- Put unused paper back into the package, and store them avoiding heat, humidity, and direct sunlight.
- Do not touch the printed surface nor stack the printed sheets until the ink is fixed.

Note

For a detailed description of printing media types, refer to "Printing Media" in the *User's Guide* on-screen manual.

● Media Types You Cannot Use

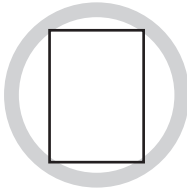
Do not use the following types of paper. Using such paper will not only produce unsatisfactory results, but can also cause the printer to jam or malfunction. Additionally, when printing on A5 or smaller sized paper, do not use paper thinner than a post card, including plain paper or notepad paper cut to a small size.

- Folded, curled, or wrinkled paper
- Damp paper
- Paper that is too thin (weighing less than 17 lb / 64 gsm)
- Paper that is too thick (plain paper, except for Canon genuine paper, weighing more than 28 lb / 105 gsm)
- Picture postcards
- Postcards affixed with photos or stickers
- Any type of paper with holes
- Paper that is not rectangular
- Paper bound with staples or glue
- Paper with adhesives
- Paper decorated with glitter, etc.

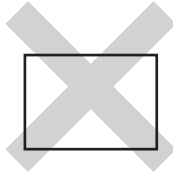
■ Loading Paper

Important

- You cannot print on postcards affixed with photos or stickers.
- Always load paper in portrait orientation (A). Loading paper in landscape orientation (B) can cause the paper to be jammed.



(A)



(B)

Note

- We recommend using genuine Canon photo media when printing photographs. For details on the specialty media Canon provides for use with its various printers, see “Using Specialty Media” on page 8.

When Printing on Plain Paper

- You can use general copy paper or Canon’s Super White Paper. When printing on both sides, we recommend Canon’s Super White Paper Double-Sided.

Paper size:

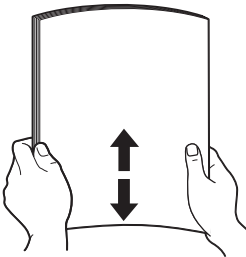
– Standard sizes: A4, B5, A5, Letter, and Legal

– Non-standard sizes: 2.13 x 3.39 inches to 8.5 x 23 inches / 54.0 x 86.0 mm to 215.9 x 584.2 mm

Paper weight: 17 to 28 lb / 64 to 105 gsm (non-Canon genuine plain paper)

- If you cut plain paper to 4" x 6" / 101.6 x 152.4 mm, 5" x 7" / 127.0 x 177.8 mm, or 2.13" x 3.39" / 54.0 x 86.0 mm (credit card-size) for a trial print, it can cause paper jams.
 - 100% recycled paper can be used.
-

1 Flatten the four corners of the paper before loading it.

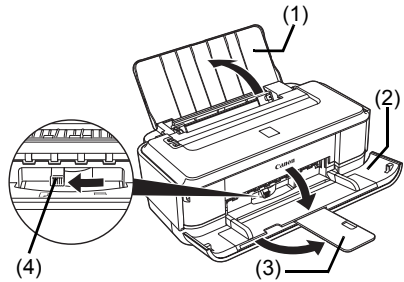


Note

- Align the edges of paper neatly before loading. Loading paper without aligning the edges may cause paper jams.
 - If paper is curled, hold the opposing curled corners and gently bend them in the opposite direction until the paper becomes completely flat. See “Paper is curled.” on page 49.
 - To avoid curling, handle paper as follows.
 - Put unused paper back into the package and keep them on a level surface.
 - Take out only the necessary number of sheets from the package, just before printing.
-

2 Prepare to load paper.

- (1) Open the Paper Support.
- (2) Open the Paper Output Tray fully.
If it is not opened fully, an error may occur.
- (3) Extend the Output Tray Extension.
- (4) Adjust the position of the Paper Thickness Lever.
The Paper Thickness Lever switches the clearance between the Print Head and the loaded paper to match the media type.
Set it to the right when printing on envelopes or T-shirt transfers, and left when printing on any other type of paper.

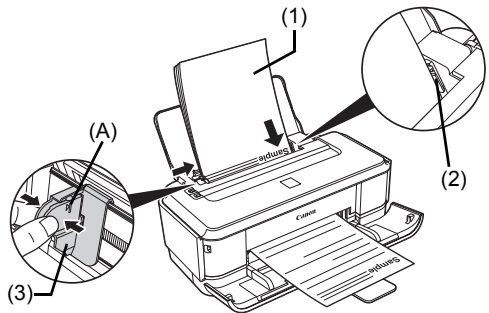


Note

If the corners or edges of the paper are smudged, try to print with the Paper Thickness Lever set to the right. It may improve print quality.
Reset the Paper Thickness Lever to the left when you finish printing.

3 Load the paper.

- (1) Load the paper in the Rear Tray with the print side facing UP.
- (2) Align the paper stack against the right side of the Rear Tray.
- (3) Pinch the Paper Guide and slide it against the left side of the paper stack.
Do not slide the Paper Guide too strong. Paper may not be fed properly.



* Do not load higher than the Load Limit Mark (A).

4 Specify the page size and media type settings according to the loaded paper.

Note

Select the size and type of the loaded paper in **Page Size** (or **Paper Size**) and **Media Type** in the printer driver.
For details on printer driver settings, see "Printing with Windows" on page 16 or "Printing with Macintosh" on page 17.

■ Loading Envelopes

Use either European DL or US Comm. Env. #10-sized envelope.

With proper printer driver settings, the address will be printed according to the direction of envelope.

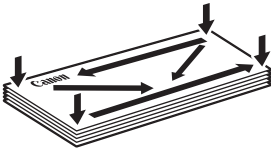
🚫 Important

Do not use the following envelopes:

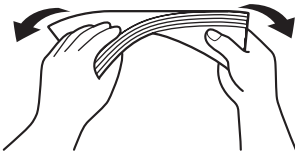
- Envelopes with a double flap (or sticker flaps)
 - Envelopes with an embossed or treated surface
 - Envelopes with pressure seals
 - Envelopes whose gummed flaps are already moistened and adhesive
-

1 Prepare the envelopes.

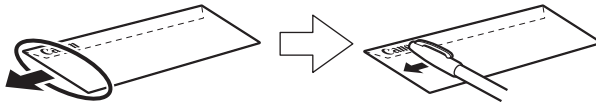
- Press down on all four corners and edges of the envelopes to flatten them.



- If the envelopes are curled, hold the opposite corners and gently twist them in the opposite direction.



- If the corner of the envelope flap is folded, flatten it.
- If the leading edge of an envelope is puffed up or curled, use a pen to press the envelope flat and sharpen the crease. Press the envelope flat, working from the middle to the edge.



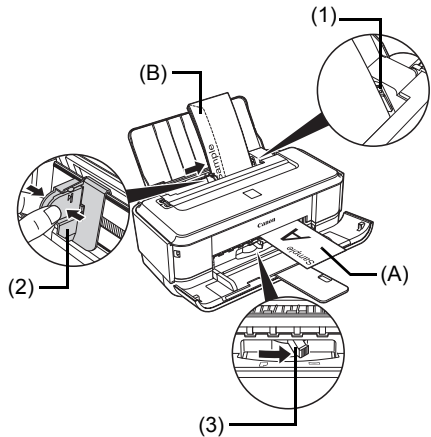
* The above illustrations show a side view of the leading edge of the envelope.

🚫 Important

- The envelopes may jam in the printer if they are not flat or the edges are not aligned.
 - Make sure that no curl or puff exceeds 0.1 inches / 3 mm.
-

2 Load the envelopes.

- (1) Load the envelope against the right side of the Rear Tray.
Load with the address side facing UP and the rear flaps DOWN on the left.
Up to 5 envelopes can be loaded at once.
- (2) Pinch the Paper Guide and slide it against the left side of the envelope.
Do not slide the Paper Guide too strong. Paper may not be fed properly.
- (3) Set the Paper Thickness Lever to the right.
Reset the Paper Thickness Lever to the left when you finish printing.



- (A) Printing orientation
(B) Make sure the flaps are folded.

3 Specify the settings in the printer driver.

- (1) Select **Envelope** in **Media Type**.
- (2) Select the size for envelopes.
In Windows®, select **DL Env.** or **Comm. Env. #10** in **Page Size**.
In Macintosh®, select **DL Envelope** or **#10 Envelope** in **Paper Size**.
- (3) Select **Landscape** in **Orientation**.

Important

Be sure to set the printer driver setting properly. If you do not, the address will be printed in the wrong direction.

Note

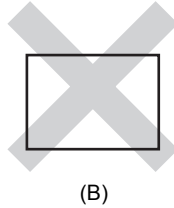
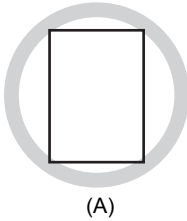
For details on printer driver settings, see “Printing with Windows” on page 16 or “Printing with Macintosh” on page 17.

■ Loading Small-Sized Paper

You can use 4" x 6" / 101.6 x 152.4 mm, 5" x 7" / 127.0 x 177.8 mm, and Credit card-sized papers.

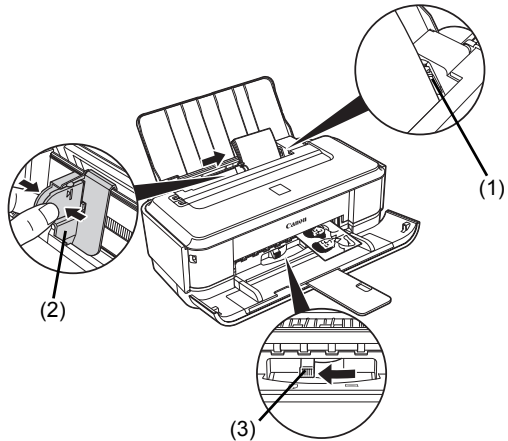
Important

Always load paper in portrait orientation (A). Loading paper in landscape orientation (B) can cause the paper to be jammed.



1 Load the paper.

- (1) Load the small-sized paper against the right side of the Rear Tray with the print side facing UP.
- (2) Pinch the Paper Guide and slide it against the left side of the paper stack. Do not slide the Paper Guide too strong. Paper may not be fed properly.
- (3) Set the Paper Thickness Lever to the left.



2 Specify the page size and media type settings according to the loaded paper.

Note

Select the size and type of the loaded paper in **Page Size** (or **Paper Size**) and **Media Type** in the printer driver.

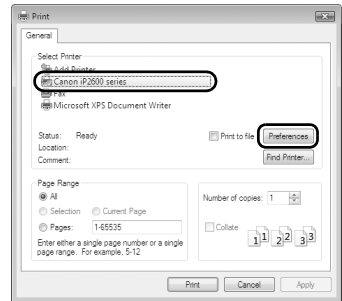
For details on printer driver settings, see "Printing with Windows" on page 16 or "Printing with Macintosh" on page 17.

Printing from Your Computer

This section describes the procedure for basic printing.

Printing with Windows

- 1 Turn on the printer and load the paper in the printer.
For details on how to load the paper, see “Loading Printing Paper” on page 8.
- 2 Create a document or open a file to print using an appropriate application software.
- 3 Select **Print** on the application software’s **File** menu.
- 4 Make sure that your printer’s name is selected in **Select Printer**, and click **Preferences** (or **Properties**).

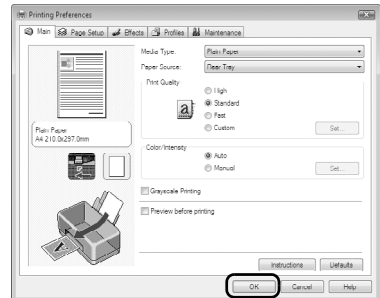


- 5 Specify the required settings and click **OK**.

Note

For details on other printer driver functions, click **Help** or **Instructions** to view the online help or the *PC Printing Guide* on-screen manual. **Instructions** is only displayed when the on-screen manuals are installed.

- 6 Click **Print** (or **OK**).



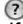

Note

If straight lines are misaligned or print quality is not satisfactory after installing the printer driver, you may need to align the Print Head. See “Aligning the Print Head” on page 27.

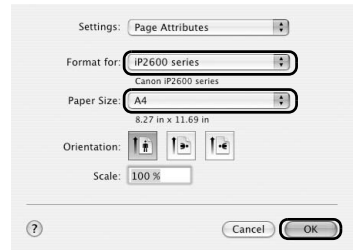
Printing with Macintosh

- 1 Turn on the printer and load the paper in the printer.
For details on how to load the paper, see “Loading Printing Paper” on page 8.
- 2 Create a document or open a file to print using an appropriate application software.
- 3 Select **Page Setup** on the application software’s **File** menu.
- 4 Make sure that your printer’s name is selected in **Format for**.
- 5 Select the desired paper size in **Paper Size**.
- 6 Click **OK**.
- 7 Select **Print** on the application software’s **File** menu.
- 8 Select **Quality & Media** in the pop-up menu.
- 9 Specify the required settings.

Note

For details on other printer driver functions, click  to view the *PC Printing Guide* on-screen manual. If the on-screen manuals are not installed, the *PC Printing Guide* on-screen manual is not displayed even if  is clicked.

- 10 Click **Print**.



Note

If straight lines are misaligned or print quality is not satisfactory after installing the printer driver, you may need to align the Print Head. See “Aligning the Print Head” on page 27.

Routine Maintenance

When Printing Becomes Faint or Colors Are Incorrect

When printing becomes faint or colors are incorrect, the print head nozzles on FINE Cartridges are probably clogged. Print the nozzle check pattern to confirm the condition of the nozzles and then perform Print Head Cleaning.

If print results are not satisfactory, performing Print Head Alignment may improve print quality.

Note

Before performing maintenance

- Make sure that a FINE Cartridge has not run out of ink. See “Getting the Ink Status Information” on page 31.
- Make sure that a FINE Cartridge is installed properly. See “Replacing FINE Cartridges” on page 33.
- Make sure that the orange protective tape is removed from the bottom of a FINE Cartridge.
- If the **Alarm** lamp flashes orange, see “Alarm Lamp Flashes Orange” on page 53.
- Increase the **Print Quality** setting in the printer driver settings.
See “Print Results Not Satisfactory” on page 46.

Step 1

See “Printing the Nozzle Check Pattern” on page 19.

If lines are missing or if white streaks appear



Step 2

See “Print Head Cleaning” on page 22.

If the problem is not resolved after performing
Print Head Cleaning twice



Step 3

See “Print Head Deep Cleaning” on page 25.

If the problem is not resolved after performing
Print Head Deep Cleaning twice



Step 4

See “Replacing a FINE Cartridge” on page 31.



After cleaning the Print Head, print and examine the nozzle check pattern.

Note

If the straight line is misaligned or the Print Head position is misaligned, align the Print Head position. See “Aligning the Print Head” on page 27.

Printing the Nozzle Check Pattern

Print the nozzle check pattern to determine whether the ink ejects properly from the print head nozzles.

Windows

- 1 Make sure that the printer is on and then load a sheet of A4 or Letter-sized plain paper in the Rear Tray.
- 2 Open the Paper Output Tray, and then extend the Output Tray Extension.
Set the Paper Thickness Lever to the left. For details on the Paper Thickness Lever, refer to “Inside” in “Main Components” of the *User’s Guide* on-screen manual.
- 3 Open the printer properties dialog box.
- 4 Print the Nozzle Check Pattern.
 - (1) Click the **Maintenance** tab.
 - (2) Click **Nozzle Check**.
 - (3) Confirm the displayed message and click **Print Check Pattern**.
The nozzle check pattern is printed. Do not open the Top Cover while printing.

Note

Clicking **Initial Check Items** displays the items to be checked before printing the pattern.

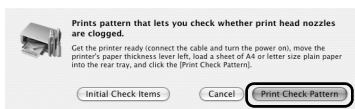


- 5 Examine the pattern and take the appropriate action.
See “Examining the Nozzle Check Pattern” on page 21.

- 1 Make sure that the printer is on and then load a sheet of A4 or Letter-sized plain paper in the Rear Tray.
- 2 Open the Paper Output Tray, and then extend the Output Tray Extension.
Set the Paper Thickness Lever to the left. For details on the Paper Thickness Lever, refer to “Inside” in “Main Components” of the *User’s Guide* on-screen manual.
- 3 Open the **Canon IJ Printer Utility** dialog box.
- 4 Print the Nozzle Check Pattern.

- (1) Select **Test Print** in the pop-up menu.
- (2) Click **Nozzle Check**.
- (3) Confirm the displayed message and click **Print Check Pattern**.

The nozzle check pattern is printed. Do not open the Top Cover while printing.



Note

Clicking **Initial Check Items** displays the items to be checked before printing the pattern.

- 5 Examine the pattern and take the appropriate action.
See “Examining the Nozzle Check Pattern” on page 21.

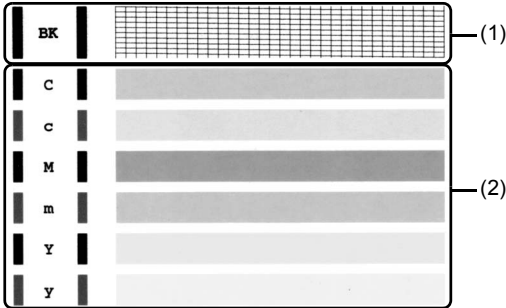
Examining the Nozzle Check Pattern

Examine the nozzle check pattern, and perform cleaning if necessary.

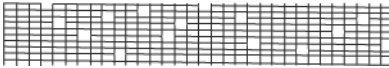
Note

The nozzle check pattern will not be printed correctly if there is not enough ink. Replace the FINE Cartridge if the remaining amount of ink is insufficient. See "Replacing a FINE Cartridge" on page 31.

- 1 Check the nozzle check pattern you printed.



- (1) If lines of this pattern are missing, the Black print head nozzle needs cleaning.
Example: When lines are missing (Black ink)



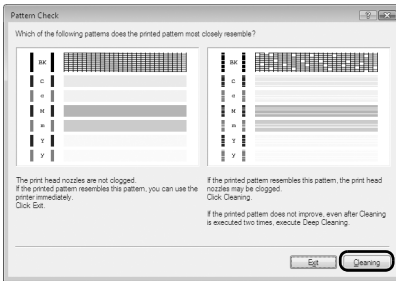
- (2) If these patterns have white streaks, the Color print head nozzle needs cleaning.
Example: When white streaks appear (Color ink)



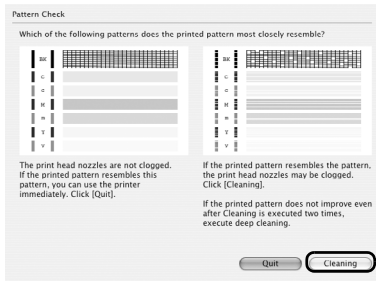
2 Take the appropriate action.

- When cleaning is necessary

Windows



Macintosh



Click **Cleaning**, and then go to step 4-(3) of the Windows or Macintosh Print Head Cleaning procedure, depending on your platform. See "Print Head Cleaning" on page 22.

- When cleaning is not necessary

Click **Exit** or **Quit** on the **Pattern Check** dialog box to exit nozzle check pattern examination.

Print Head Cleaning

Clean the Print Head if lines are missing or if white streaks appear in the printed nozzle check pattern. Cleaning unclogs the nozzles and restores the print head condition. Note that cleaning the Print Head causes used ink to be absorbed in the ink absorber. Cleaning the Print Head consumes ink, so perform Print Head Cleaning only when necessary.

Windows

If you click **Cleaning** on the **Pattern Check** dialog box that is displayed after printing the nozzle check pattern, go to step 4-(3).

- 1 Make sure that the printer is on.
- 2 Open the Paper Output Tray and extend the Output Tray Extension.
Set the Paper Thickness Lever to the left. For details on the Paper Thickness Lever, refer to "Inside" in "Main Components" of the *User's Guide* on-screen manual.
- 3 Open the printer properties dialog box.

4 Start Print Head Cleaning.

(1) Click the **Maintenance** tab.

(2) Click **Cleaning**.

Print Head Cleaning starts when the **Power** lamp starts flashing green.

Do not perform any other operations until Print Head Cleaning finishes. This takes about 60 seconds.

(3) Load a sheet of A4 or Letter-sized plain paper in the Rear Tray.

(4) Confirm the displayed message and click **Print Check Pattern**.

The nozzle check pattern is printed.

Do not perform any other operations until the nozzle check pattern finishes printing.

Note

The nozzle check pattern will not be printed correctly if there is not enough ink. Replace the FINE Cartridge if the remaining amount of ink is insufficient. See "Replacing a FINE Cartridge" on page 31.

5 Check the print head condition with the printed nozzle check pattern, and take appropriate action.

See "Examining the Nozzle Check Pattern" on page 21.

Note

If the problem is not resolved after performing steps 4 and 5 twice, try Print Head Deep Cleaning. See "Print Head Deep Cleaning" on page 25.

Macintosh

If you click **Cleaning** on the **Pattern Check** dialog box that is displayed after printing the nozzle check pattern, go to step 4-(3).

- 1 Make sure that the printer is on.
- 2 Open the Paper Output Tray and extend the Output Tray Extension.
Set the Paper Thickness Lever to the left. For details on the Paper Thickness Lever, refer to "Inside" in "Main Components" of the *User's Guide* on-screen manual.
- 3 Open the **Canon IJ Printer Utility** dialog box.
- 4 Start Print Head Cleaning.
 - (1) Make sure that **Cleaning** is selected in the pop-up menu.
 - (2) Click **Cleaning**.
 - (3) Confirm the displayed message and click **OK**.
Print Head Cleaning starts when the **Power** lamp starts flashing green.
Do not perform any other operations until Print Head Cleaning finishes. This takes about 60 seconds.

Note

Clicking **Initial Check Items** displays the items to be checked before cleaning.

- (4) Load a sheet of A4 or Letter-sized plain paper in the Rear Tray.
- (5) Confirm the displayed message and click **Print Check Pattern**.
The nozzle check pattern is printed.
Do not perform any other operations until the nozzle check pattern finishes printing.

Note

The nozzle check pattern will not be printed correctly if there is not enough ink. Replace the FINE Cartridge if the remaining amount of ink is insufficient. See "Replacing a FINE Cartridge" on page 31.

- 5 Check the print head condition with the printed nozzle check pattern, and take appropriate action.
See "Examining the Nozzle Check Pattern" on page 21.

Note

If the problem is not resolved after performing steps 4 and 5 twice, try Print Head Deep Cleaning. See "Print Head Deep Cleaning" on page 25.

Print Head Deep Cleaning

If print quality does not improve by standard Print Head Cleaning, try Print Head Deep Cleaning, which is a more powerful process. Note that cleaning the Print Head causes used ink to be absorbed in the ink absorber. Print Head Deep Cleaning consumes more ink than standard Print Head Cleaning, so perform this procedure only when necessary.

Windows

- 1 Make sure that the printer is on.
- 2 Open the Paper Output Tray and extend the Output Tray Extension.
Set the Paper Thickness Lever to the left. For details on the Paper Thickness Lever, refer to "Inside" in "Main Components" of the *User's Guide* on-screen manual.
- 3 Open the printer properties dialog box.
- 4 Start Print Head Deep Cleaning.
 - (1) Click the **Maintenance** tab.
 - (2) Click **Deep Cleaning**.
 - (3) Confirm the displayed message and click **Execute**.

Note

Clicking **Initial Check Items** displays the items to be checked before deep cleaning.

- (4) Confirm the displayed message and click **OK**.
Print Head Deep Cleaning starts when the **Power** lamp starts flashing green.
Do not perform any other operations until Print Head Deep Cleaning finishes. This takes about one to two minutes.
- 5 Check the condition of the Print Head.
 - (1) Load a sheet of A4 or Letter-sized plain paper in the Rear Tray.
 - (2) Print the nozzle check pattern to check the print head condition.
See "Printing the Nozzle Check Pattern" on page 19.
 - (3) If the problem is not resolved, perform Print Head Deep Cleaning again.
 - (4) If this does not solve the problem, a FINE Cartridge may have run out of ink. Replace it with a new one. See "Replacing a FINE Cartridge" on page 31.

- 1 Make sure that the printer is on.
- 2 Open the Paper Output Tray and extend the Output Tray Extension.
Set the Paper Thickness Lever to the left. For details on the Paper Thickness Lever, refer to "Inside" in "Main Components" of the *User's Guide* on-screen manual.
- 3 Open the **Canon IJ Printer Utility** dialog box.
- 4 Start Print Head Deep Cleaning.
 - (1) Make sure that **Cleaning** is selected in the pop-up menu.
 - (2) Click **Deep Cleaning**.
 - (3) Confirm the displayed message and click **OK**.
Print Head Deep Cleaning starts when the **Power** lamp starts flashing green.
Do not perform any other operations until Print Head Deep Cleaning finishes. This takes about one to two minutes.

 **Note**

Clicking **Initial Check Items** displays the items to be checked before deep cleaning.

- 5 Check the condition of the Print Head.
 - (1) Load a sheet of A4 or Letter-sized plain paper in the Rear Tray.
 - (2) Print the nozzle check pattern to check the print head condition.
See "Printing the Nozzle Check Pattern" on page 19.
 - (3) If the problem is not resolved, perform Print Head Deep Cleaning again.
 - (4) If this does not solve the problem, a FINE Cartridge may have run out of ink. Replace it with a new one. See "Replacing a FINE Cartridge" on page 31.

Aligning the Print Head

If ruled lines are printed misaligned or print results are otherwise unsatisfactory, adjust the print head position.

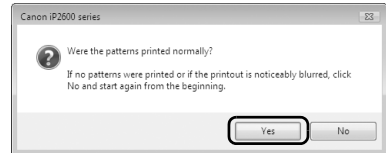
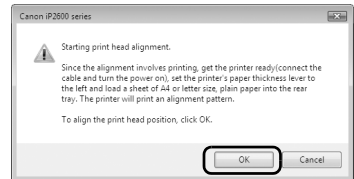
Windows

- 1 Make sure that the printer is on and then load a sheet of A4 or Letter-sized plain paper in the Rear Tray.
- 2 Open the Paper Output Tray and extend the Output Tray Extension.
Set the Paper Thickness Lever to the left. For details on the Paper Thickness Lever, refer to “Inside” in “Main Components” of the *User’s Guide* on-screen manual.
- 3 Print the pattern.
 - (1) Open the printer properties dialog box.
 - (2) In the **Maintenance** sheet, click **Print Head Alignment**.
 - (3) Confirm the displayed message and click **OK**.
The print head alignment pattern is printed.
Printing takes about three minutes to complete.

Important

Do not open the Top Cover while printing.

- (4) After the pattern is printed, click **Yes**.
The dialog for entering a print head alignment value is displayed.



4 Look at the printout and adjust the print head position.

- (1) Check the printed patterns and select the number of the pattern in column A that has the least noticeable streaks.

Note

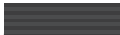
If it is difficult to pick the best pattern, pick the setting that produces the least noticeable white streaks.



(A)



(B)



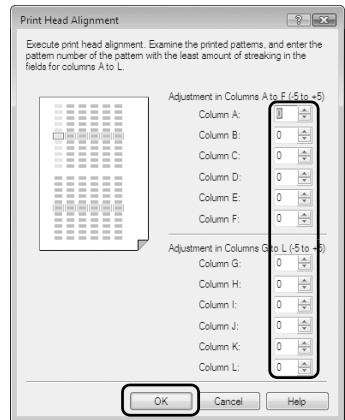
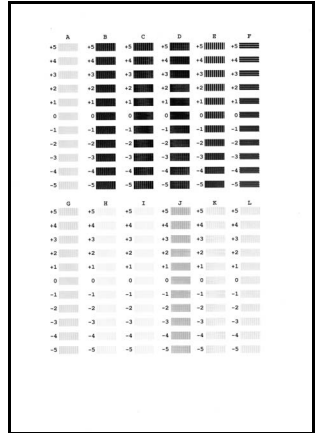
(C)



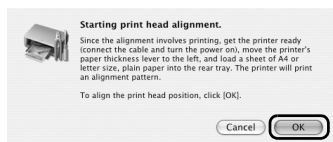
(D)

- (A) Less noticeable vertical white streaks
- (B) More noticeable vertical white streaks
- (C) Less noticeable horizontal white streaks
- (D) More noticeable horizontal white streaks

- (2) Repeat the procedure until you finish inputting the pattern number for column L, then click **OK**.
- (3) Confirm the displayed message and click **OK**.



- 1 Make sure that the printer is on and load a sheet of A4 or Letter-sized plain paper in the Rear Tray.
- 2 Open the Paper Output Tray and extend the Output Tray Extension.
Set the Paper Thickness Lever to the left. For details on the Paper Thickness Lever, refer to “Inside” in “Main Components” of the *User’s Guide* on-screen manual.
- 3 Print the pattern.
 - (1) Open the **Canon IJ Printer Utility** dialog box.
 - (2) Select **Test Print** in the pop-up menu.
 - (3) Click **Print Head Alignment**.
 - (4) Confirm the displayed message and click **OK**.
The print head alignment pattern is printed. Printing takes about three minutes to complete.
The dialog for entering a print head alignment value is displayed.



Important

Do not open the Top Cover while printing.

4 Look at the printout and adjust the print head position.

- Check the printed patterns and select the number of the pattern in column A that has the least noticeable streaks.

 **Note**

If it is difficult to pick the best pattern, pick the setting that produces the least noticeable white streaks.



(A)



(B)



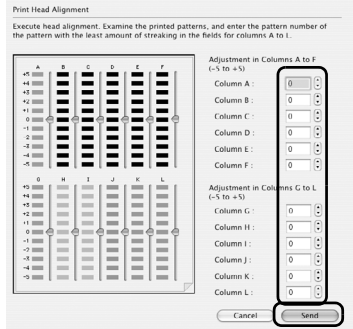
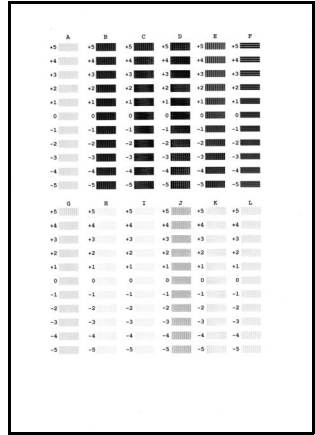
(C)



(D)

- (A) Less noticeable vertical white streaks
- (B) More noticeable vertical white streaks
- (C) Less noticeable horizontal white streaks
- (D) More noticeable horizontal white streaks

- Repeat the procedure until you finish inputting the pattern number for column L, then click **Send**.



Replacing a FINE Cartridge

This section explains the way to confirm the ink status and the procedure to replace FINE Cartridges.

When ink runs out or other errors occur, the **Alarm** lamp flashes orange to inform you of the error. See “Alarm Lamp Flashes Orange” on page 53 and confirm how to handle it.

Note

- If there is no improvement with the quality of printing following such maintenance as Print Head Cleaning, a FINE Cartridge is probably empty. When ink runs out, replace the FINE Cartridge. The printer cannot print if the wrong type of FINE Cartridge is used.
- For information on compatible FINE Cartridges, see the back cover of this guide.

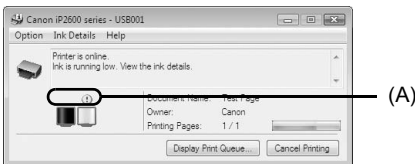
Getting the Ink Status Information

Note

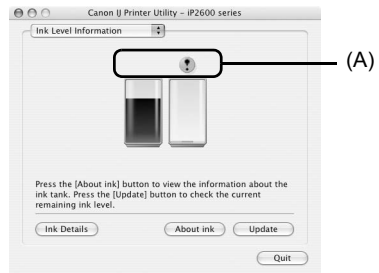
The ink level detector is mounted on the printer to detect the remaining ink level. The printer considers as ink is full when a new FINE Cartridge is installed, and then starts to detect a remaining ink level. If you install a used FINE Cartridge, the indicated ink level of it may not be correct. In such case, refer to the ink level information only as a guide.

You can confirm the status of each FINE Cartridge on the printer status monitor (Windows) and **Canon IJ Printer Utility** (Macintosh).

Windows



Macintosh



(A) Confirm whether any symbols are displayed here.

- ① Ink is low. You can continue printing for a while, but we recommend you to have a new FINE Cartridge available.
- ⊗ Ink has run out. Confirm the number of the times the **Alarm** lamp is flashing, and see “Four Flashes: Ink has run out.” on page 53 in “Alarm Lamp Flashes Orange” on page 53, and take appropriate action.

Note

Message may be displayed during printing. Confirm the displayed message and take appropriate action.

Follow the procedure below to open each of the confirmation screens.

Windows

- (1) Open the printer properties dialog box.
Refer to “Opening the Printer Properties Dialog Box Directly from Control Panel” in “Opening the Printer Properties Dialog Box (Windows)” of the *User’s Guide* on-screen manual.
- (2) Click **View Printer Status** on the **Maintenance** sheet.
To confirm the ink level information, click the **Ink Details** menu.

Note

You can also display the printer status monitor by clicking the **Canon XXX** (where “**XXX**” is your printer’s name) which appears on the taskbar during printing.

Macintosh

- (1) Open the **Canon IJ Printer Utility**.
Refer to “Opening the Canon IJ Printer Utility (Macintosh)” in the *User’s Guide* on-screen manual.
- (2) Select **Ink Level Information** in the pop-up menu.
To confirm the ink level information, click **Ink Details**.

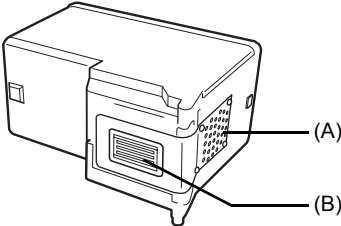
■ Replacing FINE Cartridges

When FINE Cartridges run out of ink, replace them using the following steps.

● Important

Handling FINE Cartridges

- Do not touch the electrical contacts or Print Head Nozzles on a FINE Cartridge. The printer may not print out properly if you touch it.



(A) Electrical Contacts

(B) Print Head Nozzles

- To maintain optimal printing quality, we recommend the use of specified Canon brand FINE Cartridges. Refilling ink is not recommended.
- Once you remove a FINE Cartridge, replace it immediately. Do not leave the printer with FINE Cartridges removed.
- Replace empty cartridges with new ones. If you insert FINE Cartridges that has been removed once, the printer may not print out properly due to some reasons such as clogging of the nozzles. Furthermore, with such cartridges, the Low Ink Warning may not be displayed properly.
- Once a FINE Cartridge has been installed, do not remove it from the printer and leave it out in the open. This will cause the FINE Cartridge to dry out, and the printer may not operate properly when it is reinstalled. To maintain optimal printing quality, use a FINE Cartridge within six months of first use.

📖 Note

- If a FINE Cartridge runs out of ink, you can print with either Color or Black FINE Cartridge, in whichever ink remains, only for a while. However the print quality may be reduced compared to when printing with both cartridges. Canon recommends to use new FINE cartridges in order to obtain optimum qualities. Even when printing with one ink only, print with leaving the empty FINE Cartridge installed. If either of the Color FINE Cartridge or Black FINE Cartridge is not installed, an error occurs and the printer cannot print. For information on how to configure this setting, refer to the *PC Printing Guide* on-screen manual.
- Color ink may be consumed even when printing a black-and-white document or when black-and-white printing is specified. Color ink is also consumed in Print Head Cleaning and Print Head Deep Cleaning, which may be necessary to maintain the printer's performance.

- 1 Open the Paper Output Tray.
- 2 Make sure that the printer is turned on, and then open the Top Cover.
The FINE Cartridge Holder moves to the left.

⚠ Caution

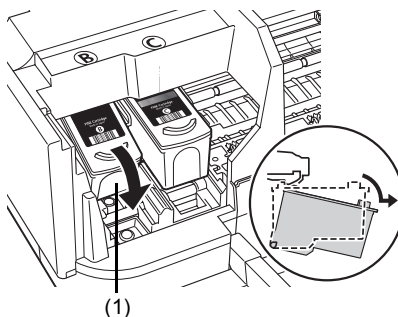
- Do not hold the FINE Cartridge Holder to stop or move it.
- Do not touch the metallic parts or other parts inside the printer.

🚫 Important

If the Top Cover is left open for more than 10 minutes, the FINE Cartridge Holder moves to the right. Close and reopen the Top Cover to return the holder to the left.

- 3 Remove the empty FINE Cartridge.

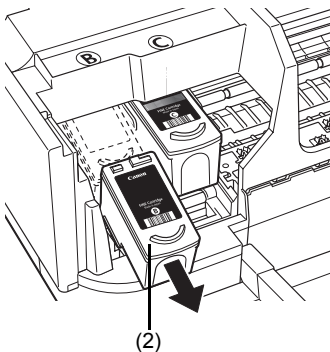
- (1) Push down the FINE Cartridge.



- (2) Remove the FINE Cartridge.

🚫 Important

- Handle FINE Cartridges carefully to avoid staining clothing or the surrounding area.
- Discard empty FINE Cartridges according to the local laws and regulations regarding disposal of consumables.

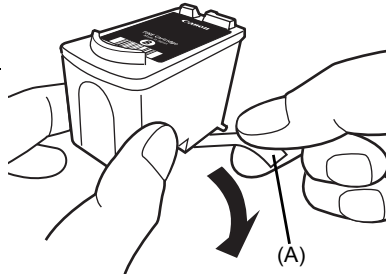


4 Prepare the replacement FINE cartridge.

- (1) Unpack a new FINE Cartridge and remove the orange protective tape (A) gently.

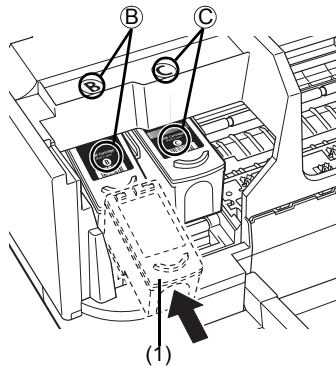
Important

- Shaking FINE Cartridges may cause ink to spill out and stain clothing or the surrounding area. Handle FINE Cartridges carefully.
- Be careful not to stain your clothes and hands with ink on the removed protective tape.
- Do not reattach the protective tape once you have removed it. Discard it according to the local laws and regulations regarding disposal of consumables.
- Do not touch the electrical contacts or Print Head Nozzles on a FINE Cartridge. The printer may not print out properly if you touch it.



5 Install the FINE Cartridge.

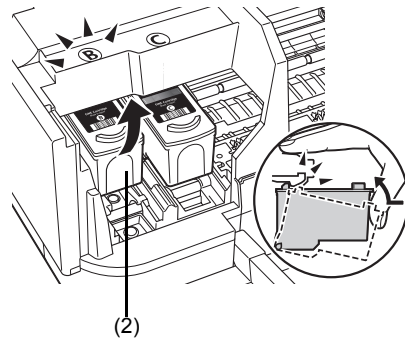
- (1) Insert a new FINE Cartridge all the way into the appropriate slot. The Black FINE Cartridge should be installed into the left slot (B) and the Color FINE Cartridge should be into the right slot (C).



- (2) Push up the FINE Cartridge until it clicks into place.

Important

The printer cannot be used unless both the FINE Cartridges are installed.



6 Close the Top Cover.

Note

- If the **Alarm** lamp still flashes orange after the Top Cover is closed, see “Alarm Lamp Flashes Orange” on page 53.
 - When you start printing after replacing the FINE Cartridge, Print Head Cleaning is performed automatically. Do not perform any other operations until Print Head Cleaning finishes. The **Power** lamp flashes green during cleaning.
 - If the straight line is misaligned or the Print Head position is misaligned, align the Print Head position.
See “Aligning the Print Head” on page 27.
-

Keeping the Best Printing Results

To avoid drying of the Print Head and clogging of the nozzles, note the following.

Note

- Ink may blur depending on the paper in the following cases:
 - Printed area is traced with a highlight pen or paint-stick, or
 - Printed area is stained with water or sweat.
 - If the print head nozzles get clogged, printouts will become faint or particular colors will not be printed properly. For details, see “When Printing Becomes Faint or Colors Are Incorrect” on page 18.
-

■ When You Turn Off the Printer

Follow the procedure below to turn off the printer.

- (1) Press the **Power** button to turn off the printer.
- (2) Confirm that the **Power** lamp has gone out.
This takes a few seconds or as long as around 15 seconds.
- (3) Unplug the power plug from the wall outlet.
If you are using a power outlet strip, you can switch it off instead.

When you press the **Power** button to turn off the printer, the printer automatically puts a protective cap on the Print Head to prevent the ink from drying. If you remove the power plug or switch off the power outlet strip before the **Power** lamp goes out, this capping will not be done properly, causing the Print Head to dry and clog.

■ When You Are Not Using the Printer for a Long Time

When you are not using the printer for a long time, print in both black & white and in color, or perform Print Head Cleaning, about once a month to prevent degradation of the Print Head.

Numerous nozzles are installed in the Print Head for high-precision printing. Just as the uncapped tip of a ballpoint pen or marker becomes dry and unusable if it is not used for a long period of time, the print head nozzles become blocked by dried ink. Periodically printing or cleaning the Print Head can prevent this blockage.

If you have not used the printer for a long time, print out the nozzle check pattern to check the print head condition before printing.

Cleaning Your Printer

This section describes the cleaning procedure that is needed to maintain your printer.

Caution

- Do not use tissue paper, paper towels, or similar materials for cleaning so as not to scratch the surface. Paper tissue powders or fine threads may remain inside the printer and cause problems such as Print Head blockage and poor printing results. Make sure to use a soft cloth.
 - Never use volatile liquids such as thinners, benzene, acetone, or any other chemical cleaner to clean the printer, as this may cause a malfunction or damage the printer's surface.
-

■ **Wiping Off Dirt on the Printer**

Be sure to use a soft cloth such as eyeglasses cleaning cloth and wipe off dirt on the surface with it gently. Smooth out wrinkles on the cloth if necessary before cleaning.

Caution

- Be sure to turn off the power and disconnect the power plug before cleaning the printer.
 - Do not use tissue paper, rough-textured cloth, or similar materials, as this may scratch the surface.
-

■ **Cleaning the Paper Feed Roller (Roller Cleaning)**

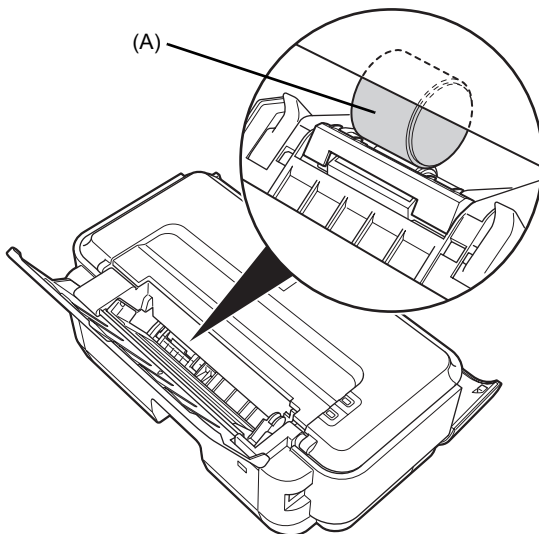
Clean the paper feed roller if paper is not fed properly. Cleaning the paper feed roller will wear the roller, so perform this only when necessary.

Windows

- 1 Make sure that the printer is on and then remove any paper from the Rear Tray.
- 2 Open the Paper Output Tray and extend the Output Tray Extension.
Set the Paper Thickness Lever to the left. For details on the Paper Thickness Lever, refer to "Inside" in "Main Components" of the *User's Guide* on-screen manual.
- 3 Open the printer properties dialog box.
- 4 Click the **Maintenance** tab and then **Roller Cleaning**.
- 5 Confirm the displayed message, and then click **OK**.
The Paper Feed Roller will rotate as they clean.
- 6 Make sure that the paper feed roller stops rotating. When the message appears, load three sheets of A4 or Letter-sized plain paper in portrait orientation in the Rear Tray.
- 7 Confirm the displayed message and click **OK**.
The paper that is loaded in the printer will feed through the printer and be ejected.

8 Confirm the displayed message and click **OK**.

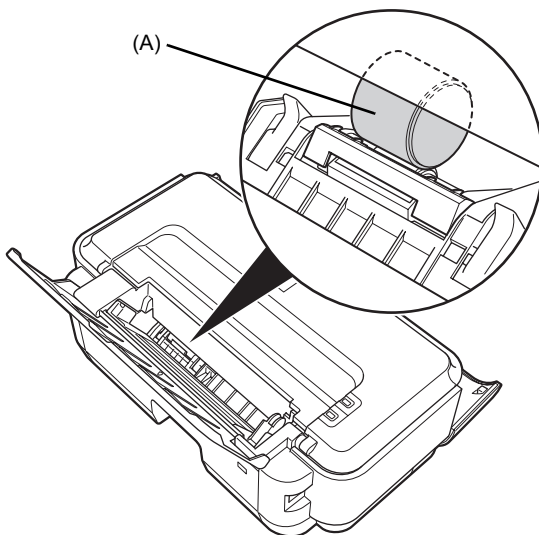
If the problem is not resolved, turn off the printer, unplug the power plug, and then wipe the paper feed roller (A) located on the right side inside the Rear Tray with a moistened cotton swab or the like. Rotate the roller (A) manually as you clean it. Do not touch the roller with your fingers; rotate it with the cotton swab. If this does not solve the problem, contact your Canon Service representative.



Macintosh

- 1 Make sure that the printer is on and then remove any paper from the Rear Tray.
- 2 Open the Paper Output Tray and extend the Output Tray Extension.
Set the Paper Thickness Lever to the left. For details on the Paper Thickness Lever, refer to "Inside" in "Main Components" of the *User's Guide* on-screen manual.
- 3 Open the **Canon IJ Printer Utility** dialog box.
- 4 Make sure that **Cleaning** is selected in the pop-up menu.
- 5 Click **Roller Cleaning**.
- 6 Confirm the displayed message and click **OK**.
The Paper Feed Roller will rotate as they clean.
- 7 Make sure that the paper feed roller stops rotating. When the message appears, load three sheets of A4 or Letter-sized plain paper in portrait orientation in the Rear Tray.
- 8 Confirm the displayed message, and then click **OK**.
The paper that is loaded in the printer will feed through the printer and be ejected.

If the problem is not resolved, turn off the printer, unplug the power plug, and then wipe the paper feed roller (A) located on the right side inside the Rear Tray with a moistened cotton swab or the like. Rotate the roller (A) manually as you clean it. Do not touch the roller with your fingers; rotate it with the cotton swab. If this does not solve the problem, contact your Canon Service representative.



■ Cleaning the Inside of the Printer

If the printed paper is smudged, the inside of the printer may be dirty.

To always get best quality printing result, periodical cleaning of the inside of the printer is recommended.

You can clean this part in two ways:

- See “Cleaning with the Printer Driver (Bottom Plate Cleaning)” on page 39.
- See “Cleaning the Protrusions Inside the Printer” on page 42.

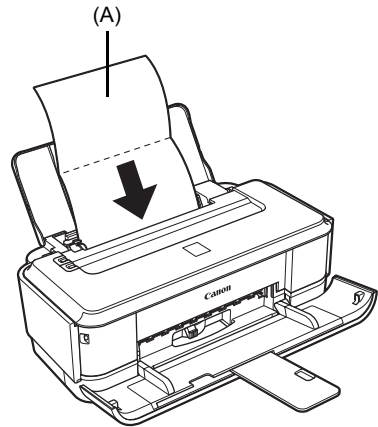
● Cleaning with the Printer Driver (Bottom Plate Cleaning)

This section describes how to clean the inside of the printer. If the inside of the printer becomes dirty, printed paper may get dirty, so we recommend performing cleaning regularly.

Windows

- 1** Make sure that the printer is on and then remove any paper from the Rear Tray.
- 2** Open the Paper Output Tray and extend the Output Tray Extension.
Set the Paper Thickness Lever to the left. For details on the Paper Thickness Lever, refer to “Inside” in “Main Components” of the *User’s Guide* on-screen manual.
- 3** Fold a single sheet of A4 or Letter-sized plain paper in half widthwise, and then unfold the paper.

- 4 Load this and only this sheet of paper in the Rear Tray with the open side facing up.



(A) Load the paper after unfolding it.

- 5 Open the printer properties dialog box.
- 6 Click the **Maintenance** tab, and then **Bottom Plate Cleaning**.
- 7 Confirm the displayed message and click **Execute**.

The paper cleans the inside of the printer as it feeds through the printer.

Check the folded part of the ejected paper. If it is smudged with ink, perform Bottom Plate Cleaning again.

Important

Do not perform any other operation while the bottom plate is being cleaned.

If the problem is not resolved after performing cleaning twice, the protrusions inside the printer may be stained. Clean them according to instructions. See "Cleaning the Protrusions Inside the Printer" on page 42.

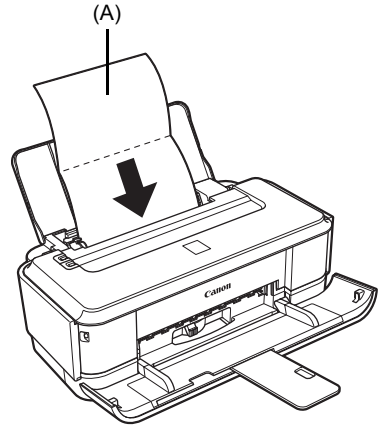
Note

When performing Bottom Plate Cleaning again, make sure to use a new piece of paper.

Macintosh

- 1 Make sure that the printer is on and then remove any paper from the Rear Tray.
- 2 Open the Paper Output Tray and extend the Output Tray Extension.
Set the Paper Thickness Lever to the left. For details on the Paper Thickness Lever, refer to "Inside" in "Main Components" of the *User's Guide* on-screen manual.
- 3 Fold a single sheet of A4 or Letter-sized plain paper in half widthwise, and then unfold the paper.

- 4 Load this and only this sheet of paper in the Rear Tray with the open side facing up.



(A) Load the paper after unfolding it.

- 5 Open the **Canon IJ Printer Utility** dialog box.
- 6 Make sure that **Cleaning** is selected in the pop-up menu.
- 7 Click **Bottom Plate Cleaning**.
- 8 Confirm the displayed message and click **OK**.
The paper cleans the inside of the printer as it feeds through the printer.
Check the folded part of the ejected paper. If it is smudged with ink, perform Bottom Plate Cleaning again.

Important

Do not perform any other operation while the bottom plate is being cleaned.

If the problem is not resolved after performing cleaning twice, the protrusions inside the printer may be stained. Clean them according to instructions. See "Cleaning the Protrusions Inside the Printer" on page 42.

Note

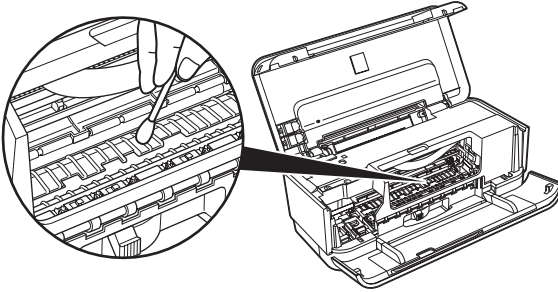
When performing Bottom Plate Cleaning again, make sure to use a new piece of paper.

● **Cleaning the Protrusions Inside the Printer**

If protrusions inside the printer are stained, wipe off any ink from the protrusions using a cotton swab or the like.

⚠ Caution

Be sure to turn off the power and disconnect the power plug before cleaning the printer.



Troubleshooting

This section describes troubleshooting tips for problems you may encounter when using the printer.

Note

This section mainly describes the methods of printer operation for troubleshooting. To handle problems using your computer, refer to “Troubleshooting” in the *User’s Guide* on-screen manual. For details on how to view the on-screen manuals, see “Reading the On-screen Manuals” on page 58.

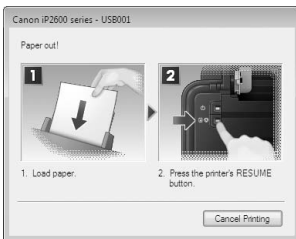
- “Cannot Install the Printer Driver” on page 44
- “The USB Connection Does Not Work Properly” on page 45
- “Print Results Not Satisfactory” on page 46
- “Printer Does Not Start” on page 50
- “Paper Does Not Feed Properly” on page 51
- “Paper Jams” on page 52
- “Alarm Lamp Flashes Orange” on page 53
- “Message Appears on the Computer Screen” on page 55

If an Error Occurs When the Printer Is Connected to a Computer

When an error occurs in printing such as the printer is out of paper or paper is jammed, a troubleshooting message is displayed automatically. Take the appropriate action described in the message.

The message may vary depending on the version of your operating system.




Windows



Macintosh



Cannot Install the Printer Driver

Cause	Action
<p>Windows</p> <p>Unable to proceed beyond the Printer Connection screen.</p>	<p>If you were unable to proceed beyond the Printer Connection screen, follow the procedure below to reinstall the printer driver.</p>  <ol style="list-style-type: none"> (1) Click Cancel on the Printer Connection screen. (2) Click Start Over on the Installation Failure screen. (3) Click Back on the screen that appears next. (4) Click Exit, then remove the CD-ROM. (5) Turn the printer off. (6) Restart the computer. (7) Make sure you have no application software running. (8) Follow the procedure described in your setup sheet to reinstall the printer driver.
<p>Installation does not start automatically when the <i>Setup CD-ROM</i> is inserted into your computer's disc drive.</p>	<p>Windows</p> <ol style="list-style-type: none"> (1) Click Start then Computer. In Windows XP, click Start then My Computer. In Windows 2000, double-click the My Computer icon on the desktop. (2) Double-click the CD-ROM icon  on the displayed window. If the contents of the CD-ROM are displayed, double-click MSETUP4.EXE. <p>Macintosh</p> <ol style="list-style-type: none"> (1) Double-click the CD-ROM icon  on your desktop to start installation. <p>Note</p> <p>If the CD-ROM icon is not displayed, try the followings:</p> <ul style="list-style-type: none"> ● Remove the CD-ROM from your computer, then insert it again. ● Restart your computer. <p>If the icon is still not displayed, try different discs and see if they are displayed. If other discs are displayed, there is a problem with the <i>Setup CD-ROM</i>. Contact a Canon Service representative.</p>
<p>Installation procedure not followed correctly.</p>	<p>Follow the procedure described in your setup sheet for proper installation.</p> <p>If the drivers were not installed correctly, uninstall the printer driver, restart your computer, and then reinstall the drivers. Refer to the <i>PC Printing Guide</i> on-screen manual.</p> <p>Windows</p> <p>Note</p> <p>If the installer was forced to be terminated due to an Windows error, the system may be in an unstable condition and you may not be able to install the drivers. Restart your computer before reinstalling.</p>

The USB Connection Does Not Work Properly

Windows

■ The Printer Is Not Recognized Properly

Cause	Action
USB hub is used.	Connect the printer directly to the computer's USB port without going through the hub.
USB driver is not installed correctly.	The computer does not recognize the printer properly. Reinstall the USB driver using the latest version of the driver.

Macintosh

■ The Printer Is Not Recognized Properly

Cause	Action
USB hub is used.	Connect the printer directly to the computer's USB port without going through the hub.

Print Results Not Satisfactory

If the print result is not satisfactory such as white streaks, misaligned lines, and uneven colors, confirm the paper and print quality settings first.

- **Check 1: Do the page size and media type settings match the size and type of the loaded paper?**

When these settings are incorrect, you cannot obtain a proper print result. If you are printing a photograph or an illustration, incorrect paper type setting may reduce the quality of printout color. Also, if you print with an incorrect paper type setting, the printed surface may be scratched. In borderless printing, uneven coloring may occur depending on the combination of the paper type setting and the loaded paper.

- **Check 2: Did you set the print quality setting appropriately?**

Select a print quality option suitable to the paper and image for printing. If you notice blurs or uneven colors, increase the print quality setting and try printing again.

Confirm the paper and print quality settings by using the printer driver.

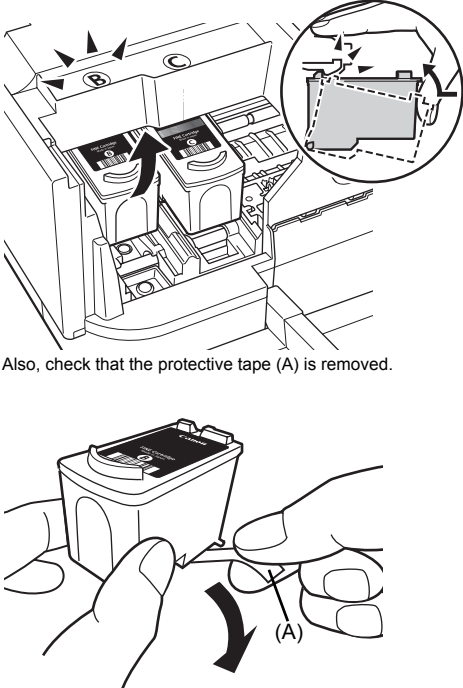
Refer to the *PC Printing Guide* on-screen manual.

- **Check 3: If the problem is not resolved, there may be other causes.**

See also the sections below.

- “Printing Does Not Start/Printing Is Blurred/Colors Are Wrong/Straight Lines Are Misaligned” on page 47
- “White Streaks” on page 47
- “Printed Paper Curls or Has Ink Blots” on page 48
- “Printed Surface Is Scratched/Paper Is Smudged” on page 48
- “Colors Are Uneven or Streaked” on page 49

■ Printing Does Not Start/Printing Is Blurred/Colors Are Wrong/Straight Lines Are Misaligned

Cause	Action
The media is loaded with the wrong side facing upwards.	<p>When using paper with one printable surface, make sure the paper is loaded with the printable side facing up.</p> <p>Printing on the wrong side of such paper may cause unclear prints or prints with reduced quality.</p> <p>Refer to the instruction manual supplied with the paper for detailed information on the printable side.</p>
FINE Cartridge is not installed properly.	<p>Remove the FINE Cartridge, then reinstall it.</p> <p>The print result may be improved by reinstalling the FINE Cartridge.</p>  <p>Also, check that the protective tape (A) is removed.</p>
Print Head nozzles are clogged.	See "When Printing Becomes Faint or Colors Are Incorrect" on page 18 and perform any necessary maintenance operations.
Print Head is misaligned.	<p>If you did not align the Print Head after installation, straight lines may be printed misaligned. Make sure to align the Print Head after you install it.</p> <p>See "Aligning the Print Head" on page 27 to perform Print Head Alignment.</p>


■ White Streaks

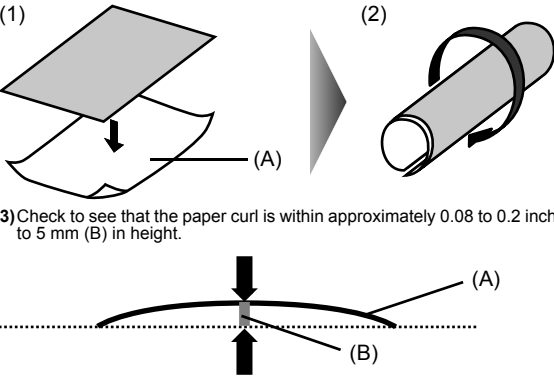
Cause	Action
Print Head nozzles are clogged.	See "When Printing Becomes Faint or Colors Are Incorrect" on page 18 and perform any necessary maintenance operations.

■ Printed Paper Curls or Has Ink Blots

Cause	Action
Paper is too thin.	When printing data with high color saturation such as photographs or images in deep color, we recommend using Photo Paper Pro or other Canon specialty paper. See "Using Specialty Media" on page 8.

■ Printed Surface Is Scratched/Paper Is Smudged


Cause	Action
Printing on inappropriate type of paper.	<ul style="list-style-type: none"> ● Check to see if the paper you are printing on is not too thick or curled. See "Media Types You Cannot Use" on page 10 to make sure that the paper you are using is suitable. If the paper is curled, see "Paper is curled." on page 49 to correct paper curl. ● When performing Borderless Printing, print quality may be reduced at the top and bottom edges of the paper. Make sure that the paper you are using is suitable for Borderless Printing. For details, refer to "Printing Area" in the <i>User's Guide</i> on-screen manual.
Inappropriate Paper Thickness Lever setting.	<p>Adjust the position of the Paper Thickness Lever according to the type of paper you are printing on.</p> <p>See "Paper Handling" on page 9.</p> <p>Depending on the printing content, the printing surface may become scratched or the corners or edges of the paper may become smudged even for the types of paper to set the lever to the left. In this case, set the Paper Thickness Lever to the right.</p> <p>* Reset the Paper Thickness Lever to the left when you finish printing. If the lever is not set back to the left, the inside of the printer is more likely to get dirty due to the wider clearance between the print head and the loaded paper. It may also reduce print quality.</p>
Printing beyond the recommended printing area.	<p>If you are printing beyond the recommended printing area of your printing paper, the lower edge of the paper may become stained with ink.</p> <p>Resize your original document in your application software.</p> <p>For details on recommended printing area, refer to "Printing Area" in the <i>User's Guide</i> on-screen manual.</p>
Paper Feed Roller is dirty.	<p>Cleaning the Paper Feed Roller will wear the roller, so perform this procedure only when necessary.</p> <p>For details on cleaning, see "Cleaning the Paper Feed Roller (Roller Cleaning)" on page 37.</p>
Inside of the printer is dirty.	<p>When performing duplex printing, if the specified paper size does not match the actual size of paper loaded in the Rear Tray, the inside will become stained with ink, causing printed paper to become smudged.</p> <p>Perform the Bottom Plate Cleaning to clean the inside of the printer.</p> <p>For details, see "Cleaning the Inside of the Printer" on page 39.</p> <p> Note</p> <p>To prevent the inside of the printer from stains, set the paper size correctly.</p>
Printing graphics with the intensity setting set too high.	<p>Especially if you are using plain paper to print images with high intensity, the paper may absorb too much ink and become wavy, causing paper abrasion.</p> <p>Refer to "Print Results Not Satisfactory" in the <i>User's Guide</i> on-screen manual.</p>

Cause	Action
Paper is curled.	<p>For Plain Paper</p> <p>Turn the paper over and reload it to print on the other side.</p> <p>Leaving the paper loaded in the Rear Tray for a long time may cause the paper to curl. If this happens, load the paper with the other side facing up. It may resolve the problem.</p> <p>We recommend putting unused paper back into the package and keep them on a level surface.</p> <p>For Other Paper</p> <p>If you are using paper with either any of the corners or the whole printing surface curled, the paper may become dirty, not feed properly, or both. Use such paper after correcting paper curl as follows.</p> <p>(1) With the printing side (A) facing up, cover the paper with a fresh sheet of plain paper to avoid staining or scratching the surface.</p> <p>(2) Roll up the paper in a direction opposite to paper curl as seen below.</p>  <p>(3) Check to see that the paper curl is within approximately 0.08 to 0.2 inches / 2 to 5 mm (B) in height.</p> <p>We recommend printing curl-corrected paper one sheet at a time.</p> <p>Note</p> <p>Depending on the media type, the paper may be smudged or may not be fed properly even if it is not curled.</p> <p>In such case, follow the procedure described the above in "For Other Paper" to curl the paper before printing.</p> <p>This may improve the print result.</p>

■ Colors Are Uneven or Streaked

Cause	Action
Print Head nozzles are clogged.	See "When Printing Becomes Faint or Colors Are Incorrect" on page 18 and perform any necessary maintenance operations.
Print Head is misaligned.	See "Aligning the Print Head" on page 27 to perform Print Head Alignment.

Printer Does Not Start

Cause	Action
The printer is not powered on. / The power plug is not connected.	Make sure that the power plug is securely plugged into the Power Cord Connector of the printer. Plug the power plug all the way in, since it may be difficult to plug.
Unnecessary print jobs are left in queue. / Computer problems.	<p>Restarting your computer may solve the problem. If there are any unnecessary print jobs, follow the procedure below to delete them.</p> <p>Windows</p> <p>(1) Open the printer properties dialog box. Refer to "Opening the Printer Properties Dialog Box Directly from Control Panel" in "Opening the Printer Properties Dialog Box (Windows)" of the <i>User's Guide</i> on-screen manual.</p> <p>(2) Click the Maintenance tab and then View Printer Status. The printer status monitor is displayed.</p> <p>(3) Click Display Print Queue.</p> <p>(4) Select Cancel All Documents on the Printer menu. You may not be able to select this depending on the privileges of the account.</p> <p>(5) When the confirmation message is displayed, click Yes. The print jobs are deleted.</p> <p>Macintosh</p> <p>(1) Click the printer icon in the Dock to display the list of print jobs in progress.</p> <p>(2) Select the print job to delete and click . The print jobs are deleted.</p>
The printer is not ready.	<p>Check if the Power lamp is lit green. If the Power lamp is off, turn the printer on. While the Power lamp is flashing green, the printer is initializing. Wait until the Power lamp stops flashing and remains lit green.</p> <p>Note</p> <p>When printing large data such as a photo or graphics, it may take longer to start printing. While the Power lamp is flashing green, the computer is processing data and sending them to the printer. Wait until printing starts.</p>

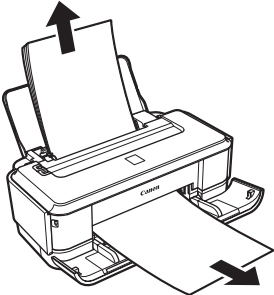
Paper Does Not Feed Properly

Cause	Action
Printing on inappropriate type of paper.	<p>Check to see if the paper you are printing on is not too thick or curled. See "Paper Handling" on page 9 to make sure that the paper you are using is suitable.</p> <p>If the paper is curled, see "Paper is curled." on page 49 to correct paper curl.</p>
Paper Feed Roller is dirty.	<p>Cleaning the Paper Feed Roller will wear the roller, so perform this procedure only when necessary.</p> <p>For details on cleaning, see "Cleaning the Paper Feed Roller (Roller Cleaning)" on page 37.</p>
Paper not loaded properly.	<p>Make sure of the following when you load paper in the printer.</p> <ul style="list-style-type: none"> ● When loading two or more sheets of paper, align the edges of the sheets before loading. ● Always load the paper in portrait orientation in the Rear Tray, regardless of the printing orientation. ● Load the paper with the print side facing UP. Align the paper stack against the right side of the Rear Tray and slide the Paper Guide so that it just touches the left edge of the stack. <p>For details on loading paper, see "Loading Paper" on page 11.</p>
Too much paper loaded.	<p>Make sure that the paper stack does not exceed the paper support load limit. However, proper feeding of paper may not be possible at this maximum capacity depending on the type of paper or environmental conditions (either very high or low temperature and humidity).</p> <p>In such cases, reduce the sheets of paper you load at a time to around half of the paper support load limit.</p> <p>For details on loading paper, see "Loading Paper" on page 11.</p>
Foreign object in the Rear Tray.	<p>Make sure that there are no foreign objects in the Rear Tray.</p>
Envelopes not prepared nor loaded properly.	<ul style="list-style-type: none"> ● When printing on envelopes, see "Loading Envelopes" on page 13, and prepare the envelopes before printing. <p>Once you have prepared the envelopes, load them in the printer in portrait orientation. If the envelopes are placed in landscape orientation, they will not feed properly.</p> <ul style="list-style-type: none"> ● Set the Paper Thickness Lever to the right.

Paper Jams

Important

If you need to turn off the printer to remove jammed paper during printing, refer to "Printing from Your Computer" in the *User's Guide* on-screen manual to cancel print jobs before turning off the printer.

Cause	Action
<p>Paper jammed in the Paper Output Slot or the Rear Tray.</p>	<p>Remove the paper following the procedure below.</p> <p>(1) Slowly pull the paper out, either from the Rear Tray or from the Paper Output Slot, whichever is easier.</p>  <ul style="list-style-type: none"> ● If the paper tears and a piece remains inside the printer, turn the printer off, open the Top Cover, and remove the paper. <ul style="list-style-type: none"> * Be careful not to touch the components inside the printer. After removing all paper, close the Top Cover, and turn the printer back on. ● If you cannot pull the paper out, turn the printer off and turn it back on. The paper may be ejected automatically. <p>(2) Reload the paper in the printer, and press the RESUME/CANCEL button on the printer.</p> <p>If you turned off the printer in step (1), all print jobs in queue are canceled. Reprint if necessary.</p> <p>Note</p> <ul style="list-style-type: none"> ● For details on how to load paper, see "Loading Printing Paper" on page 8. ● When reloading the paper in the printer, see "Paper Does Not Feed Properly" on page 51 to confirm that you are using the correct paper and are loading it into the printer correctly. ● A5-sized paper are suited to print documents consisting mainly of text. We do not recommend using such paper to print documents with photos or graphics, since the printout may curl and cause paper exit jams. <p>If you cannot remove the paper or the paper tears inside the printer, or if the paper jam error continues after removing the paper, contact your Canon Service representative.</p>
<p>Landscape credit card-sized paper jammed inside the printer.</p>	<p>Do not load credit card-sized paper in the landscape orientation.</p> <p>If the Alarm lamp flashes three times or the "Paper is jammed." message is displayed when using Windows, remove the paper according to the following procedure.</p> <p>(1) Press the Power button to turn the printer off.</p> <p>(2) Open the Top Cover, then remove the jammed paper.</p> <ul style="list-style-type: none"> * Be careful not to touch the components inside the printer. <p>(3) After removing all paper, close the Top Cover, then turn the printer back on.</p> <p>All print jobs in queue are canceled. Reprint if necessary.</p> <p>If you cannot remove the jammed paper or the paper jam error continues after removing the paper, contact your Canon Service representative.</p>

Alarm Lamp Flashes Orange

■ Alarm Lamp Flashes Orange

When a printer error occurs, the **Alarm** lamp flashes orange as shown below. The number of flashes indicates the type of error that has occurred. Count the flashes and take the appropriate action to correct the error.



(A) Note the number of flashes

(B) Flashes repeatedly

Cause	Action
Two flashes: Printer is out of paper. / Paper does not feed.	Reload paper in the Rear Tray and press the RESUME/CANCEL button.
Three flashes: Paper Output Tray is closed. / Paper jam.	If the Paper Output Tray is closed or not opened fully, open it. The printer resumes printing. If opening the Paper Output Tray fully does not resolve the problem, the paper may be jammed. Remove the jammed paper, reload paper properly in the printer, and then press the RESUME/CANCEL button. See "Paper Jams" on page 52.
Four Flashes: Ink has run out.	Ink has run out. Replace the ink cartridge and close the cover. If printing is in progress and you want to continue printing, press the RESUME/CANCEL button for at least 5 seconds with the ink cartridge installed. Then printing can continue under the ink out condition. The function for detecting the remaining ink level will be disabled. Replace the empty ink cartridge immediately after the printing. The resulting print quality is not satisfactory, if printing is continued under the ink out condition.
Five flashes: The FINE Cartridge cannot be recognized.	Possible causes are as follows: ● The FINE Cartridge may not be installed properly. ● The FINE Cartridge may not be compatible with this printer. Install the appropriate FINE Cartridge. If lines are misaligned or the resulting output is not satisfactory, carry out the Print Head Alignment.
Seven Flashes: FINE Cartridge is not installed in the correct position.	Make sure that each FINE Cartridge is installed in the correct position. See "Replacing a FINE Cartridge" on page 31.
Eight flashes: Ink absorber is almost full.	The printer has a built-in ink absorber to hold the ink used during Print Head Cleaning, for example. Eight flashes indicates that the ink absorber is nearly full. Press the RESUME/CANCEL button to cancel the error so you can continue printing. Before the ink absorber becomes completely full, contact a Canon service representative. (You will need to replace a particular part of the printer.) Important Canon recommends that you call for service as soon as this error occurs. Once the ink absorber becomes completely full, printing cannot be performed until the ink absorber is replaced.
Fourteen Flashes: The FINE Cartridge cannot be recognized.	The FINE Cartridge may not be compatible with this printer. Install the appropriate FINE Cartridge. If lines are misaligned or the resulting output is not satisfactory, carry out the Print Head Alignment.

Cause	Action
Fifteen Flashes: The FINE Cartridge cannot be recognized.	Possible causes are as follows: <ul style="list-style-type: none"> ● The FINE Cartridge may not be installed properly. ● The FINE Cartridge may not be compatible with this printer. Install the appropriate FINE Cartridge. If lines are misaligned or the resulting output is not satisfactory, carry out the Print Head Alignment.
Sixteen Flashes: Ink level cannot be detected.	Ink may have run out. The function for detecting the remaining ink level will be disabled since the ink level cannot be correctly detected. If you want to continue printing without this function, press the RESUME/CANCEL button for at least 5 seconds. Canon recommends to use new genuine Canon cartridges in order to obtain optimum qualities. Please be advised that Canon shall not be liable for any malfunction or trouble caused by continuation of printing under the ink out condition.


■ Power Lamp Flashes Green and Alarm Lamp Flashes Orange Alternately

Disconnect the printer cable from the printer, turn the printer off, and then unplug the printer from the power supply. Plug the printer back in and turn the printer back on after leaving it for one minute or more.

If the problem is not resolved, contact your Canon Service representative.

Message Appears on the Computer Screen

■ Service Error 5100 Is Displayed

Cause	Action
Movement of the FINE Cartridge Holder is blocked.	<p>Cancel printing from your computer, turn off the printer. Then clear the paper jam or foreign object that is preventing the FINE Cartridge Holder from moving.</p> <p> Important Be careful not to touch the components inside the printer. The printer may not print out properly if you touch it.</p>



■ Writing Error/Output Error/Communication Error

Cause	Action
The printer is not ready.	<p>Confirm that the Power lamp is lit green.</p> <p>If the Power lamp is off, turn the printer on.</p> <p>While the Power lamp is flashing green, the printer is initializing. Wait until the Power lamp stops flashing and remains lit green.</p> <p>If the Alarm lamp is flashing orange, an error may have occurred in the printer. For details on how to resolve the error, see "Alarm Lamp Flashes Orange" on page 53.</p>
The printer is not connected properly.	<p>Make sure that the USB cable is securely plugged in to the printer and the computer.</p> <ul style="list-style-type: none"> ● If you are using a relay device such as a USB hub, disconnect it, connect the printer directly to the computer, and try printing again. If printing starts normally, there is a problem with the relay device. Consult the reseller of the relay device for details. ● There could also be a problem with the USB cable. Replace the USB cable and try printing again.
Printer port setting does not match the computer's interface connecting the printer.	<p>Check the printer port settings.</p> <p>* In the following instruction, "XXX" signifies your printer's name.</p> <ol style="list-style-type: none"> (1) Log on as a user account with administrator privilege. (2) Click Control Panel, then Printer under Hardware and Sound. In Windows XP, click Control Panel, Printers and Other Hardware, then Printers and Faxes. In Windows 2000, click Control Panel then Printers. (3) Right-click the Canon XXX icon, then select Properties. (4) Click the Ports tab to confirm the port settings. Make sure that a port named USBnnn (where "n" is a number) with Canon XXX appearing in the Printer column is selected for Print to the following port(s). If the port setting is not correct, reinstall the Printer Drivers or change the port setting according to the interface you are using.
Printer driver is not installed properly.	<p>The printer driver may not be installed properly. Uninstall them following the procedure described in the <i>PC Printing Guide</i> on-screen manual and reinstall them following the procedure described in your setup sheet.</p>

■ **Error Number: 300 Is Displayed**

Cause	Action
The printer is not ready.	Confirm that the Power lamp is lit green. If the Power lamp is off, turn the printer on. While the Power lamp is flashing green, the printer is initializing. Wait until the Power lamp stops flashing and remains lit green. If the Alarm lamp is flashing orange, an error may have occurred in the printer. For details on how to resolve the error, see "Alarm Lamp Flashes Orange" on page 53.
Printer is not connected properly.	Make sure that the USB cable is securely plugged in to the printer and the computer. <ul style="list-style-type: none"> ● If you are using a relay device such as a USB hub, disconnect it, connect the printer directly to the computer, and try printing again. If printing starts normally, there is a problem with the relay device. Consult the reseller of the relay device for details. ● There could also be a problem with the USB cable. Replace the USB cable and try printing again.
Your printer is not selected in Printer on the Print dialog box.	Select your printer's name in Printer on the Print dialog box. If your printer's name does not appear in Printer , follow the procedure below to check that the driver for your printer is installed to your computer. <ol style="list-style-type: none"> (1) Select Print & Fax Preferences from Printer. In Mac OS X v.10.3.9, select Edit Printer List from Printer. (2) Check that your printer's name is displayed in the list of printers and that the check box is selected. (3) If your printer's name is not displayed, click Add(+) to add the printer. If you cannot add the printer, follow the procedure described in your setup sheet to reinstall the printer driver.

■ **Error Number: 1700/1710 Is Displayed**

Cause	Action
The ink absorber is almost full.	See "Eight flashes: Ink absorber is almost full." in "Alarm Lamp Flashes Orange" on page 53.

■ **Ink Info Number: 1688 Is Displayed**

Cause	Action
Ink has run out.	Refer to "Four Flashes: Ink has run out." in "Alarm Lamp Flashes Orange" on page 53.

■ **Ink Info Number: 1686 Is Displayed**

Cause	Action
Ink level cannot be detected.	Refer to "Sixteen Flashes: Ink level cannot be detected." in "Alarm Lamp Flashes Orange" on page 53.

Appendix

How to Use the Documentation Provided



Printed Documentation

Setup Sheet

Be sure to read this sheet first.

This sheet includes instructions for setting up your printer and getting it ready for use.



Quick Start Guide (This guide)

Read this guide when starting to use the printer.

After following instructions in your setup sheet, we recommend you read this guide to familiarize yourself with the basic operations, for example, printing from your computer.



On-screen Manuals

User's Guide

Read this guide when starting to use the printer.

If the *Quick Start Guide* does not provide you enough information, please refer to the *User's Guide* that can be installed from the *Setup CD-ROM*. This guide provides detailed instructions for:

- printing media
- printing from your computer
- routine maintenance
- troubleshooting

Additional guides are also available for advanced features.

PC Printing Guide

Refer to this guide for full instructions on printer driver setting.

PC Photo Printing Guide

Refer to this guide for instructions on using the various application software included on the *Setup CD-ROM*.

Reading the On-screen Manuals

For detailed instructions on installing the on-screen manuals, refer to your setup sheet.

You can view the on-screen manuals in the following way:

Windows

To view the on-screen manual, double-click the **XXX On-screen Manual** shortcut icon on the desktop, or click **Start > All Programs** (or **Programs**) > **Canon XXX Manual > XXX On-screen Manual** (where “**XXX**” is your printer’s name).

System Requirements

Browser: Windows HTML Help Viewer



Note

- Microsoft® Internet Explorer 5.0 or later must be installed.
 - The on-screen manual may not be displayed properly depending on your operating system or Internet Explorer version. We recommend that you keep your system up to date with Windows Update.
-

Macintosh

To view the on-screen manual, double-click the **XXX On-screen Manual** alias (where “**XXX**” is your printer’s name) on the desktop.

System Requirements

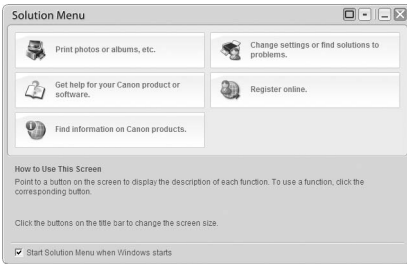
Browser: Help Viewer



Note

- The on-screen manual may not be displayed properly depending on your operating system. We recommend that you keep your system up to date.
 - We recommend using Safari as your Web browser to view the HTML format on-screen manuals. If Safari is not installed on your computer, download it from Apple Inc. website and install it.
-

Solution Menu (Windows Only)



This menu screen helps you to easily launch bundled applications or on-screen manuals. Also, you can easily access useful web sites to get tips on how to use your printer. Experience how easy it is to launch menu items by using the menu screen that appears automatically when your computer starts up. For details, refer to the *Introduction to Solution Menu* on-screen manual.

My Printer (Windows Only)



This application helps you to operate this printer. Use this application to open the printer driver or the status monitor screen and confirm or change both the printer settings or status. Also, this application has a menu to provide troubleshooting tips when problems arise. Double-click the icon on the desktop and experience how easy operating the printer can be.

Specifications

General Specifications	
Printing resolution (dpi)	4800 (horizontal)* x 1200 (vertical) * Ink droplets can be placed with a pitch of 1/4800 inch at minimum.
Interface	USB
Print width	8 inches / 203.2 mm max. (for Borderless Printing: 8.5 inches / 216 mm)
Acoustic noise level	Approx. 43 dB (A)* * When printing in the highest print quality mode on Photo Paper Pro.
Operating environment	Temperature: 5 to 35°C (41 to 95°F) Humidity: 10 to 90% RH (no condensation)
Storage environment	Temperature: 0 to 40°C (32 to 104°F) Humidity: 5 to 95% RH (no condensation)
Power supply	AC 100-240 V, 50/60 Hz
Power consumption	Printing: Approx. 7 W Standby (minimum): Approx. 1 W OFF: Approx. 0.6 W
External dimensions	Approx. 17.4 (W) x 10.0 (D) x 5.6 (H) inches / Approx. 442 (W) x 253 (D) x 142 (H) mm * With the Paper Support and Paper Output Tray retracted.
Weight	Approx. 3.7 kg (Approx. 8.0 lb.) * With the FINE Cartridges installed.
Canon FINE Cartridges	Nozzles: Black: 320 nozzles Cyan/Magenta/Yellow: 384 x 3 nozzles

Minimum System Requirements

Note

Conform to the operating system's requirements when higher than those given here.

	Windows	Macintosh
Operating System	Windows Vista	Mac OS X v.10.4
Processor	Pentium II (including compatible processors)	Intel processor
RAM	300 MHz 128 MB	PowerPC G3 256 MB
	Windows XP SP2 Pentium II (including compatible processors) 300 MHz 128 MB	Mac OS X v.10.3.9 PowerPC G3 128 MB
	Windows 2000 Professional SP4 Pentium II (including compatible processors) 300 MHz 128 MB	Note: Hard Disk must be formatted as Mac OS Extended (Journaled) or Mac OS Extended.
	Note: Operation can only be guaranteed on a PC pre-installed Windows Vista, XP or 2000.	
Browser	Internet Explorer 6.0 or later	Safari
Hard Disk Space	400 MB Note: For bundled software installation.	450 MB Note: For bundled software installation.
CD-ROM Drive	Required	
Other restrictions	SVGA 800 x 600	

- To upgrade from Windows XP to Windows Vista, first uninstall software bundled with the Canon inkjet printer.

Additional System Requirements for On-Screen Manuals

Windows	Macintosh
Browser: Windows HTML Help Viewer Note: Microsoft Internet Explorer 5.0 or later must be installed. The on-screen manual may not be displayed properly depending on your operating system or Internet Explorer version. We recommend that you keep your system up to date with Windows Update.	Browser: Help Viewer Note: The on-screen manual may not be displayed properly depending on your operating system or Help Viewer version. We recommend that you keep your system up to date with Software Update.

Specifications are subject to change without notice.

Users in the U.S.A.

■ Regulatory Information

FCC Notice (U.S.A. Only)

For 120V, 60Hz model

Model Number: K10316

This device complies with Part 15 of the FCC Rules. Operation is subject to the following two conditions: (1) This device may not cause harmful interference, and (2) this device must accept any interference received, including interference that may cause undesired operation.

Note: This equipment has been tested and found to comply with the limits for a Class B digital device, pursuant to Part 15 of the FCC Rules. These limits are designed to provide reasonable protection against harmful interference in a residential installation. This equipment generates, uses and can radiate radio frequency energy and, if not installed and used in accordance with the instructions, may cause harmful interference to radio communications.

However, there is no guarantee that interference will not occur in a particular installation. If this equipment does cause harmful interference to radio or television reception, which can be determined by turning the equipment off and on, the user is encouraged to try to correct the interference by one or more of the following measures:

- Reorient or relocate the receiving antenna.
- Increase the separation between the equipment and receiver.
- Connect the equipment into an outlet on a circuit different from that to which the receiver is connected.
- Consult the dealer or an experienced radio/TV technician for help.

Use of a shielded cable is required to comply with Class B limits in Subpart B of Part 15 of the FCC Rules.

Do not make any changes or modifications to the equipment unless otherwise specified in the manual. If such changes or modifications should be made, you could be required to stop operation of the equipment.

Canon U.S.A., Inc.
One Canon Plaza
Lake Success, NY 11042
1-516-328-5600

■ Canon U.S.A., INC. LIMITED WARRANTY --- (U.S.A. Only)

The limited warranty set forth below is given by Canon U.S.A., Inc. ("Canon USA") with respect to the new or refurbished Canon-brand product ("Product") packaged with this limited warranty, when purchased and used in the United States only.

The Product is warranted against defects in materials and workmanship under normal use and service for a period of ninety (90) days from the date of original purchase. Product returned to a Canon USA repair facility or a Canon USA Authorized Service Facility ("ASF"), and proven to be defective upon inspection will be (a) repaired utilizing new, remanufactured, repaired and/or recycled parts (b) exchanged for new or; (c) exchanged for a refurbished Product, as determined by the Canon USA repair facility or the ASF. Warranty repair or replacement shall not extend the original warranty period of the Product. A dated proof of purchase is required at the time of warranty service. A copy of your dated bill of sale will satisfy this requirement. This warranty does not cover any accessories, or any consumables, such as paper or ink cartridges, as to which there shall be no warranty or replacement.

This limited warranty shall only apply if the Product is used in conjunction with compatible computers, peripheral equipment and software. Canon USA shall have no responsibility for such items except for compatible Canon brand peripheral equipment covered by a separate warranty ("Separate Warranty"). Repairs of such Canon brand peripheral equipment shall be governed by the terms of the Separate Warranty. Non-Canon brand equipment and software that may be distributed with the Product are sold "as is" and without warranty of any kind by Canon USA, including any implied warranty regarding merchantability or fitness for a particular purpose, and all such warranties are disclaimed. The sole warranty, if any, with respect to such non-Canon brand items is given by the manufacturer or producer thereof.

This limited warranty covers all defects encountered in normal use of the Product and does not apply in the following cases:

- (a) Loss of or damage to the Product due to abuse, neglect, mishandling, improper packaging by you, alteration, accident, electrical current fluctuations, improper use, failure to follow operating or maintenance instructions in, or environmental conditions prescribed in, Canon USA's user's manual or other documentation, or services performed by someone other than a Canon USA repair facility or ASF. Without limiting the foregoing, dropping the Product, scratches, and abrasions will be presumed to have resulted from misuse, abuse or failure to operate the Product as set forth in the user's manual or other documentation for the Product.
- (b) Use of parts, media, software or supplies (other than those sold by Canon USA), including non-Canon ink cartridges or refilled ink cartridges, that cause damage to the Product or cause abnormally frequent service calls or service problems.
- (c) If the Product has had its serial number or dating defaced, altered or removed.

ANY SYSTEM SOFTWARE (WHETHER FACTORY LOADED ON THE PRODUCT OR CONTAINED ON THE SOFTWARE DISKETTES OR CD-ROMS ENCLOSED WITH, OR ACCOMPANYING, THE PRODUCT), AND ANY UTILITY SOFTWARE, DISTRIBUTED WITH OR FOR THE PRODUCT, IS SOLD "AS IS" AND WITHOUT WARRANTY BY CANON USA. THE SOLE WARRANTY WITH RESPECT TO SUCH SOFTWARE IS CONTAINED IN THE SOFTWARE MANUFACTURER'S LICENSE AGREEMENT DISTRIBUTED THEREWITH, INCLUDING ANY LIMITATIONS AND DISCLAIMERS THEREON. PLEASE CONTACT CANON USA IMMEDIATELY IF YOU HAVE NOT RECEIVED A COPY OF THE SOFTWARE MANUFACTURER'S LICENSE AGREEMENT.

NO IMPLIED WARRANTY, INCLUDING ANY IMPLIED WARRANTY OF MERCHANTABILITY OR FITNESS FOR A PARTICULAR PURPOSE, APPLIES TO THE PRODUCT AFTER THE APPLICABLE PERIOD OF THE EXPRESS LIMITED WARRANTY STATED ABOVE, AND NO OTHER EXPRESS WARRANTY OR GUARANTY, EXCEPT AS MENTIONED ABOVE, GIVEN BY ANY PERSON OR ENTITY WITH RESPECT TO THE PRODUCT SHALL BIND CANON USA, OR ITS ASF. (SOME STATES DO NOT ALLOW LIMITATIONS ON HOW LONG AN IMPLIED WARRANTY LASTS, SO THE ABOVE LIMITATION MAY NOT APPLY TO YOU.) CANON USA SHALL NOT BE LIABLE FOR LOSS OF REVENUES OR PROFITS, INCONVENIENCE, EXPENSE FOR SUBSTITUTE EQUIPMENT OR SERVICE, STORAGE CHARGES, LOSS OR CORRUPTION OF DATA, OR ANY OTHER SPECIAL, INCIDENTAL OR CONSEQUENTIAL DAMAGES CAUSED BY THE USE, MISUSE, OR INABILITY TO USE THE PRODUCT REGARDLESS OF THE LEGAL THEORY ON WHICH THE CLAIM IS BASED, AND EVEN IF CANON USA OR ITS ASF HAS BEEN ADVISED OF THE POSSIBILITY OF SUCH DAMAGES. NOR SHALL RECOVERY OF ANY KIND AGAINST CANON USA OR ITS ASF BE GREATER IN AMOUNT THAN THE PURCHASE PRICE OF THE PRODUCT CAUSING THE ALLEGED DAMAGE. WITHOUT LIMITING THE FOREGOING, YOU ASSUME ALL RISK AND LIABILITY FOR LOSS, DAMAGE OR INJURY TO YOU AND YOUR PROPERTY AND TO OTHERS AND THEIR PROPERTY ARISING OUT OF THE POSSESSION, USE, MISUSE, OR INABILITY TO USE THE PRODUCT SOLD BY CANON USA NOT CAUSED SOLELY AND DIRECTLY BY THE NEGLIGENCE OF CANON USA, OR ITS ASF. (SOME STATES DO NOT ALLOW THE EXCLUSION OR LIMITATION OF INCIDENTAL OR CONSEQUENTIAL DAMAGES, SO THE ABOVE EXCLUSION OR LIMITATION MAY NOT APPLY TO YOU.) THIS LIMITED WARRANTY SHALL NOT EXTEND TO ANYONE OTHER THAN THE ORIGINAL

PURCHASER OF THE PRODUCT OR THE PERSON FOR WHOM IT WAS PURCHASED AS A GIFT, AND STATES YOUR EXCLUSIVE REMEDY.

Canon USA offers a range of customer technical support* options:

- Interactive troubleshooting, e-mail technical support, the latest driver downloads and answers to frequently asked questions (www.canontechsupport.com)
- Toll-free live technical support Monday—Saturday (excluding holidays) at 1-800-828-4040
- Telephone Device for the Deaf (TDD-1-866-251-3752)
- Repair or Exchange Service Options:
In the event service is required for the Product during the limited warranty period, Canon USA offers two hardware support options:

Authorized Service Facility Carry-In / Mail-In Service

Canon USA's Carry-In/Mail-In Service provides repair or exchange, at Canon USA's option, through Canon USA's Authorized Service Facility (ASF) network. The name and telephone number of the ASF(s) near you may be obtained from Canon USA's Web site at www.canontechsupport.com or by calling the Canon USA Customer Care Center at 1-800-828-4040, or any time while speaking to a technical support person. A Product covered by this limited warranty will be repaired or exchanged, as determined by Canon USA, and returned without charge by the ASF.

InstantExchange Service **

A Canon Customer Care Center or ASF technician will attempt to diagnose the nature of the problem and, if possible, correct it over the telephone. If the problem cannot be corrected over the telephone, and you elect the InstantExchange option, a reference number will be issued to you. You will be asked for the Product serial number and other information pertaining to your Product and for a ship-to location for the replacement Product (must include street address).

The Canon USA repair facility will ship out the replacement Product prepaid by Canon USA. After receipt of the replacement Product (with instructions and a prepaid waybill), follow the enclosed instructions on how to ship your product to the Canon USA repair facility. Your Product must be returned in the shipping carton in which the replacement Product was packed and include the reference number, A COPY OF YOUR DATED PROOF OF PURCHASE (BILL OF SALE), and a complete explanation of the problem. DO NOT INCLUDE ANY OTHER ITEMS WITH THE YOUR PRODUCT IN THE RETURN SHIPPING CARTON, AND BE SURE TO RETAIN YOUR PRINTHEAD, INK CARTRIDGE(S) AND TANK(S).

InstantExchange Service exchanges your Product with a replacement Product, which will normally be shipped the same day if your request for this service is by 3 p.m. E.T. Monday through Friday, except holidays. Canon USA does not guarantee same day shipment in the event of the occurrence of factors beyond its reasonable control. The replacement Product you receive may be a refurbished or reconditioned unit and will be covered for the balance of the period remaining on your original limited warranty. NOTE THAT BY USING THIS SERVICE YOU WILL KEEP THE REPLACEMENT PRODUCT THAT IS SENT TO YOU. CANON USA WILL RETAIN THE PRODUCT THAT YOU ORIGINALLY PURCHASED, WHICH SHALL BECOME THE PROPERTY OF CANON USA. InstantExchange warranty program service is available only during the express limited-warranty period for your Product and only in the continental United States, Alaska and Hawaii during such period.

This limited warranty gives you specific legal rights, and you may also have other rights, which vary from state to state.

* Support program specifics are subject to change without notice.

** InstantExchange warranty service is subject to the availability of refurbished or new replacement units.

Canon U.S.A., Inc.
One Canon Plaza
Lake Success, NY 11042
USA

©2008 Canon U.S.A., Inc. Canon is a registered trademark of Canon Inc. in the United States and may also be a registered trademark in other countries.

Index

A

Appendix 57

Turning off the Printer 7
Turning on the Printer 6

B

Before Using the Printer 6

C

Canon U.S.A., INC. LIMITED WARRANTY - USA
Only 62

Cleaning

- exterior 37
- inside 39
- protrusions inside the printer 42
- roller 37

L

Loading Printing Paper

- envelopes 13
- paper 11
- recommended paper and requirements 9
- small-sized paper 15

M

Media

- cannot use 10
- specialty 8

Media Type 9

N

Nozzle Check Pattern

- examining 21
- printing 19

P

Print Head

- aligning 27
- cleaning 22
- deep cleaning 25

Printing from Your Computer 16

- Macintosh 17
- Windows 16

R

Replacing a FINE Cartridge 31

- ink status information 31

Routine Maintenance 18

S

Safety Precautions 3

Specialty Media 8

Specifications 60

System Requirements 61

T

Troubleshooting 43

Ordering Information

For additional supplies, use the following descriptions and order numbers.

Description	Order #
FINE Cartridges	
PG-30 Black	1899B002
CL-31 Color	1900B002
PG-40 Black	0615B002
CL-41 Color	0617B002
Canon Specialty Papers	
All Occasion Photo Cards (4" x 8"/ 50 sheets)	1029A069
Glossy Photo Paper Credit Card Size (100 sheets)	9157A023
High Resolution Paper (8.5" x 11"/ 100 sheets)	1033A011
Matte Photo Paper (4" x 6"/ 120 sheets)	7981A014
Matte Photo Paper (8.5" x 11"/ 50 sheets)	7981A004
Photo Paper Glossy (4" x 6"/ 50 sheets)	0775B021
Photo Paper Glossy (4" x 6"/ 100 sheets)	0775B022
Photo Paper Glossy (8.5" x 11"/ 50 sheets)	0775B023
Photo Paper Glossy (8.5" x 11"/ 100 sheets)	0775B024
Photo Paper Plus Glossy (4" x 6"/ 50 sheets)	7980A012
Photo Paper Plus Glossy (4" x 6"/ 120 sheets)	7980A022
Photo Paper Plus Glossy (5" x 7"/ 20 sheets)	7980A019
Photo Paper Plus Glossy (8.5" x 11"/ 20 sheets)	7980A006
Photo Paper Plus Glossy II (4" x 6"/ 50 Sheets)	2311B022
Photo Paper Plus Glossy II (4" x 6"/ 100 Sheets)	2311B023
Photo Paper Plus Glossy II (5" x 7"/ 20 Sheets)	2311B024
Photo Paper Plus Glossy II (8" x 10"/ 20 Sheets)	2311B025
Photo Paper Plus Glossy II (8.5" x 11"/ 20 Sheets)	2311B001
Photo Paper Plus Semi-gloss (4" x 6"/ 50 sheets)	1686B014
Photo Paper Plus Semi-gloss (8" x 10"/ 20 sheets)	1686B017
Photo Paper Plus Semi-gloss (8.5" x 11"/ 20 sheets)	1686B020
Photo Paper Pro (4" x 6"/ 20 sheets)	1029A014
Photo Paper Pro (4" x 6"/ 75 sheets)	1029A027
Photo Paper Pro (8" x 10"/ 20 sheets)	1029A059
Photo Paper Pro (8.5" x 11"/ 15 sheets)	1029A004
Photo Stickers (16 stickers/sheet, 5 sheets/pack)	0001C001

Call **1-800-OK-CANON** to locate a dealer near you, or visit the Canon eStore at www.estore.usa.canon.com.

© 2008 Canon U.S.A., Inc. Canon is a registered trademark of Canon Inc. in the United States and may be a registered trademark or trademarks in other countries. All other product and brand names are trademarks of their respective owners.

The following FINE Cartridges are compatible with this product.



For information on product specifications, please visit our website at www.usa.canon.com

Free Manuals Download Website

<http://myh66.com>

<http://usermanuals.us>

<http://www.somanuals.com>

<http://www.4manuals.cc>

<http://www.manual-lib.com>

<http://www.404manual.com>

<http://www.luxmanual.com>

<http://aubethermostatmanual.com>

Golf course search by state

<http://golfingnear.com>

Email search by domain

<http://emailbydomain.com>

Auto manuals search

<http://auto.somanuals.com>

TV manuals search

<http://tv.somanuals.com>