

Dell™ E-Port User's Guide

Model PR03X

www.dell.com | support.dell.com

Download from Www.Somanuals.com. All Manuals Search And Download.

Notes, Notices, and Cautions



NOTE: A NOTE indicates important information that helps you make better use of your computer.



NOTICE: A NOTICE indicates either potential damage to hardware or loss of data and tells you how to avoid the problem.



CAUTION: A CAUTION indicates a potential for property damage, personal injury, or death.

Information in this document is subject to change without notice.

© 2008 Dell Inc. All rights reserved.

Reproduction in any manner whatsoever without the written permission of Dell Inc. is strictly forbidden.

Trademarks used in this text: *Dell* and the *DELL* logo are trademarks of Dell Inc.

Other trademarks and trade names may be used in this document to refer to either the entities claiming the marks and names or their products. Dell Inc. disclaims any proprietary interest in trademarks and trade names other than its own.

Model PR03X

June 2008

Rev. A00

Contents

1	About Your Dell™ E-Port	5
2	Using the Dell™ E-Port	9
	Setting Up Your E-Port.	9
	Before You Dock for the First Time	9
	Docking Your Laptop.	10
	Securing the E-Port	13
	E-Port Laptop Power and Docking Status.	14
	Using the E-Port with Dual Monitors	15
	Undocking Your Laptop	16
3	Specifications	17
4	Finding Information	19
	Glossary	21

About Your Dell™ E-Port

The Dell™ E-Port supports the Dell E-Family laptop computers, but it is not compatible with any previous series laptop computers.

The E-Port enables you to connect your laptop computer to the following external devices:

Connector



Description

RJ-45 NETWORK CONNECTOR — Connects a network interface cable.



DOCKING CONNECTOR — Connects a laptop to the E-Port.



AUDIO CONNECTORS — Connects audio headphones or speakers and a microphone.



USB 2.0 CONNECTORS — Connect up to five USB 2.0 compliant devices, such as a USB mouse. Three USB connectors are on the left side, and two USB connectors are on the back of the E-Port.



AC ADAPTER CONNECTOR — Connects the AC adapter.



DISPLAYPORT CONNECTOR — Connects external monitors equipped with a DisplayPort interface (also HDMI and DVI monitors via dongle; available at Dell.com).



DIGITAL VIDEO INTERFACE (DVI) CONNECTOR — Connects an external monitor equipped with a digital video interface.



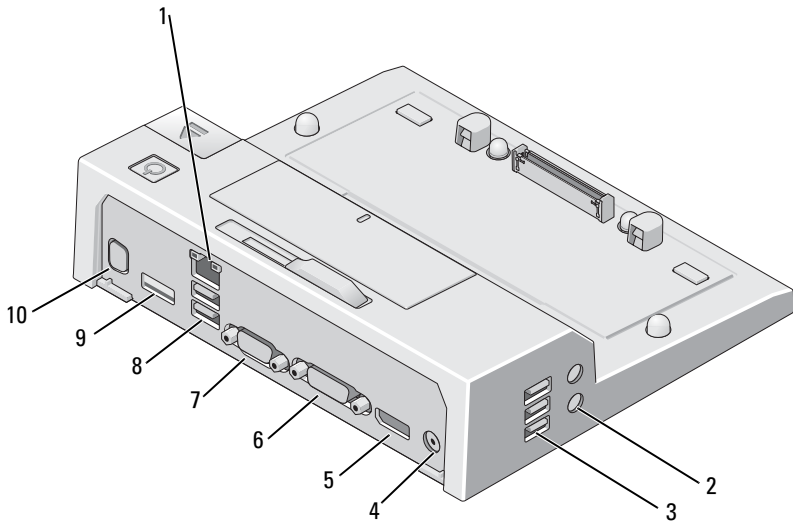
VGA VIDEO CONNECTOR — Connects an external monitor.



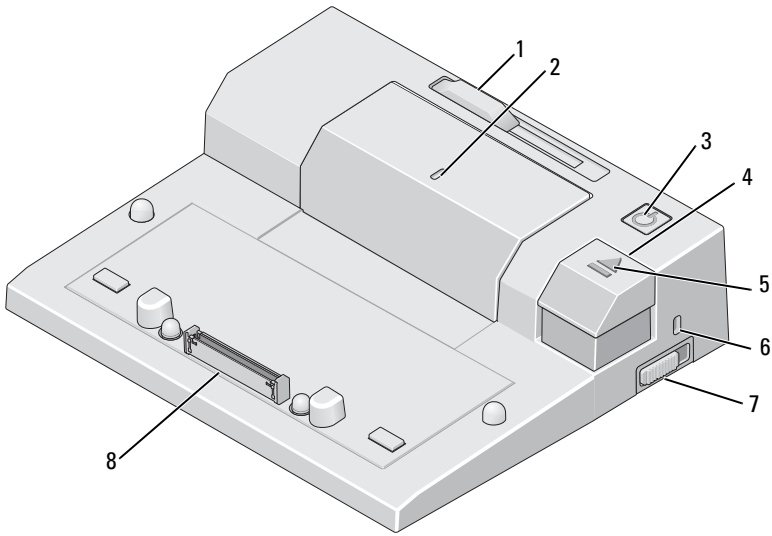
USB OR eSATA CONNECTOR — Connects and supports USB or Dell-powered E-Family or standard self-powered eSATA devices.



E-MONITOR STAND CONNECTOR — Connects to the monitor stand; available at Dell.com.




- | | | | |
|---|------------------------|----|---------------------------|
| 1 | network connector | 2 | audio connectors (2) |
| 3 | USB connectors (3) | 4 | AC adapter connector |
| 5 | DisplayPort connector | 6 | DVI connector |
| 7 | VGA connector | 8 | USB connectors (2) |
| 9 | USB or eSATA connector | 10 | E-Monitor stand connector |




- 1 battery bar adjuster
- 3 power button
- 5 docking light
- 7 lock/unlock switch

- 2 alignment mark
- 4 eject button
- 6 security cable slot
- 8 docking connector

Using the Dell™ E-Port

 **CAUTION:** Before you begin any of the procedures in this section, follow the safety instructions that shipped with your computer.

Setting Up Your E-Port

 **NOTE:** If the cable connector of the external device has thumbscrews, tighten the screws to ensure a proper connection.

- 1 Connect the device's cable to the appropriate connector on the E-Port.
- 2 Connect any external devices to electrical outlets.

If you attach an external monitor to the E-Port, you may need to press <Fn> <F8> one or more times to switch the screen image to the desired location. If the laptop cover is closed, you can press <Scroll Lck> <F8> on an attached external keyboard to switch the image.

Before You Dock for the First Time

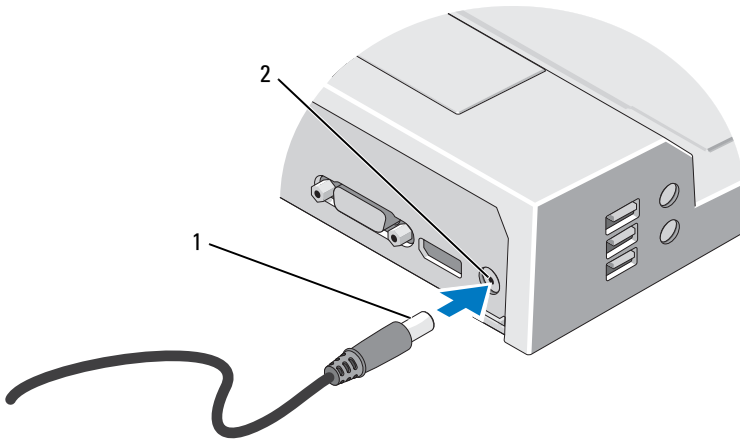
Before you initially connect your laptop to the E-Port, the operating system must complete its setup process. To verify that the operating system has completed the setup process:

- 1 Ensure that the laptop is not connected to the E-Port (docked).
- 2 Turn on the laptop.
- 3 Verify that your laptop operating system has completed the setup process.
- 4 Verify that your battery is installed before docking your laptop.

Docking Your Laptop

The E-Port can run on its AC power adapter, the laptop's AC power or the laptop's battery. You can use the AC adapter to power the E-Port and the laptop, which charges the battery.'

➔ NOTICE: Always use the Dell AC adapter that came with the E-Port. If you use any other commercially available AC adapter, you may damage the E-Port or the laptop.

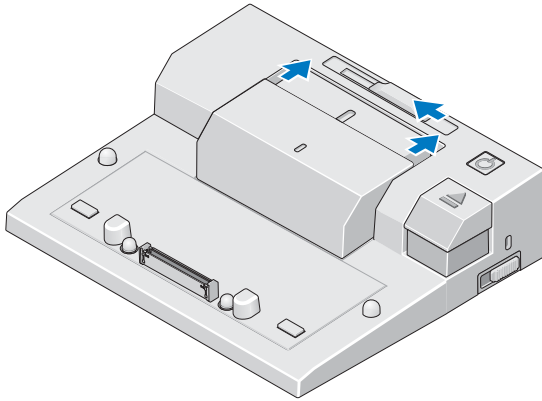


1 AC adapter cable

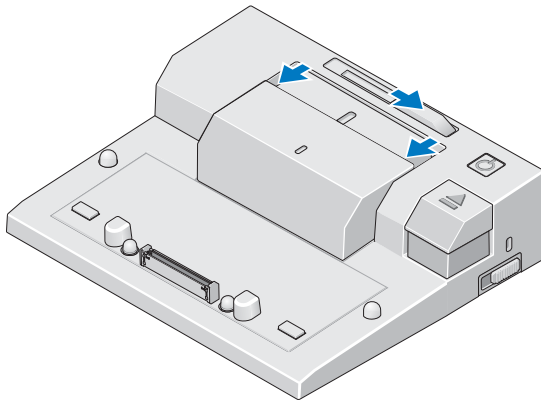
2 AC adapter connector

- 1 Complete the steps in "Before You Dock for the First Time" on page 9.
- 2 Place the E-Port so that there is enough flat space in front of it to completely support the laptop when docked to the E-Port.

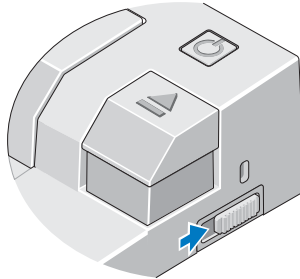
- 3 If your laptop has a battery that extends beyond the back of the laptop, keep the battery bar retracted. Slide the battery bar adjuster to the left to retract the battery bar.




- 4 If your laptop does not have a battery extending from the back of the laptop, extend the battery bar by sliding the battery bar adjuster to the right.

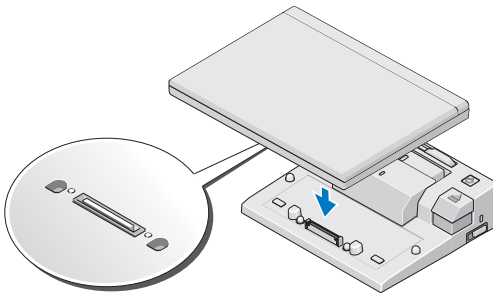



- 5 Push the lock/unlock switch toward the back of the E-Port to unlock it. The E-Port must be unlocked to dock a laptop.



 **NOTE:** You can dock your laptop if it is turned on or off.

- 6 Center the laptop with the E-Port, then push down on the laptop until it clicks into place in the docking connector.



 **NOTE:** Do not pick up the laptop or the E-Port when the laptop is docked. Doing so can damage the connectors on the laptop and on the E-Port.

- 7 If the laptop was not already turned on, turn it on by pressing the power button on either the laptop or the E-Port.
- 8 If the laptop does not turn on or awaken successfully, undock and reseat the laptop.

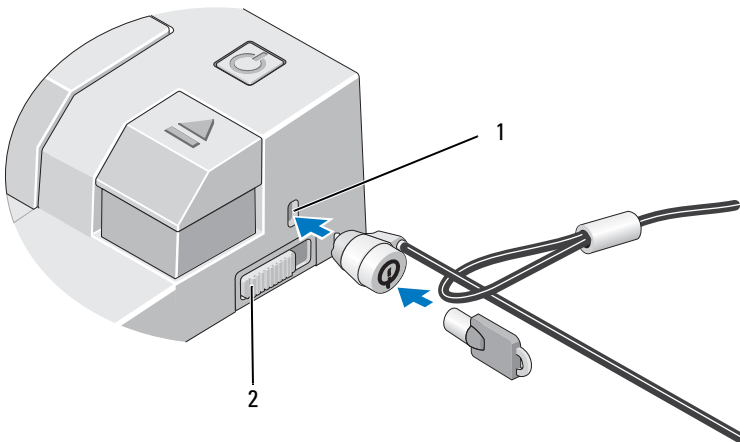
Securing the E-Port

Antitheft devices usually include a segment of metal-stranded cable with an attached locking device and associated key (available at Dell.com). For instructions on installing this kind of antitheft device, see the documentation that came with the device.

The E-Port has the following security features:

LOCK/UNLOCK SWITCH — Move the lock toward the front of the E-Port (locked) to secure the laptop to the E-Port. Move the lock toward the back of the E-Port (unlocked) before pressing the eject button to undock the laptop. The red color in the security cable slot indicates the E-Port is unlocked.

SECURITY CABLE SLOT — Attach an antitheft device to the E-Port to secure a laptop to the E-Port.



1 security cable slot

2 lock/unlock switch

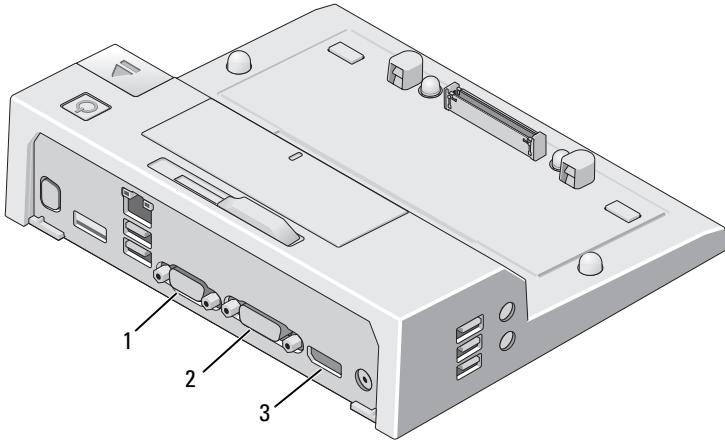
E-Port Laptop Power and Docking Status

The E-Port power button is used to turn a docked laptop on or off. The power button light indicates the power status of the E-Port or a docked laptop. The docking light on the eject button indicates the AC power and docking status of the E-Port and the laptop.

The following table shows all of the possible conditions of docking, power, laptop states and how these conditions are indicated by the E-Port power button and docking lights:

Power and Docking Status	Laptop Status	Power Button Light	Docking Light
Unit undocked or no AC adapter connected	Hibernate or Off	Off	Off
Unit docked and AC adapter connected	Hibernate or Off	Off	On
Unit docked using AC or battery power	Standby	Breathing	On
Unit docked using AC or battery power	On	On	On

Using the E-Port with Dual Monitors



1 VGA connector

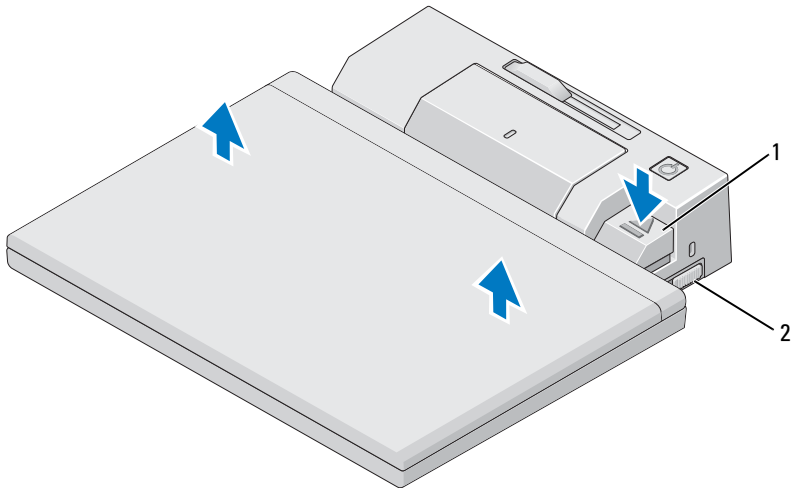
2 DVI connector

3 DisplayPort connector

The E-Port supports three video output formats—VGA, DVI, and DisplayPort. You can use your E-Port for dual monitor display. Refer to the table below for using the E-Port with dual monitors.

Monitor 1 connection	Monitor 2 connection
DisplayPort	DVI
DisplayPort	VGA
DVI	DisplayPort
DVI	VGA
VGA	DisplayPort
VGA	DVI

Undocking Your Laptop



1 eject lever

2 lock/unlock switch

- 1 Push the lock/unlock switch toward the back of the E-Port to unlock it.
- 2 Press the eject button to undock the laptop from the E-Port, then lift the laptop away from the E-Port.

NOTICE: Do not pick up the laptop or the E-Port when the laptop is docked. Doing so can damage the connectors on the laptop and on the E-Port.

Specifications

Physical

Height	70 mm (2.76 inches)
Depth	180 mm (7.09 inches)
Width	210 mm (8.27 inches)

I/O Connectors

USB	six USB connectors: five 4-pin, USB 2.0-compliant connectors; one USB or eSATA connector
Audio	headphones/speakers and microphone
Network	one RJ-45 port; 10/100/1000 GB Ethernet
Dell™ E-Family docking connector	one custom connector (Dell E-Family only)
Video	VGA, DVI, DisplayPort (HDMI via dongle)
USB or eSATA connector	one connector supporting USB or Dell-powered E-Family or standard self-powered eSATA devices
E-Monitor stand connector	one custom connector (Dell E-Family only)

AC Adapter Power

Input Voltage	Wattage	Amperage
100–240 VAC, 50–60 Hz	130 W*	1.8 A
100–240 VAC, 50–60 Hz	210 W*	3.2 A

*A laptop with a screen greater than 15.4-inches requires using the 210-W AC adapter.

System Level Operational Specifications

Variable	Minimum	Typical	Maximum
Temperature (system external)	0°C	25°C	35°C
Temperature ramp rate	0°C/hr	N/A	10°C/hr
Humidity (non-condensing)	10%	N/A	80%
Humidity ramp rate			20%/hr
Altitude	0 m (0 ft)		3048 m (10,000 ft)

System Level Non-Operational and Shipping Specifications

Variable	Minimum	Maximum
Temperature	-40°C	65°C
Temperature ramp rate	0°C/hr	20°C/hr
Humidity (non-condensing)	5%	95%
Humidity ramp rate	N/A	20%/hr
Altitude	0 m (0 ft)	10,670 m (35,000 ft)

Finding Information

Documents	Contents
<p>Safety, Regulatory, Warranty, and Support Documentation</p> <p>This type of information may have shipped with your computer. For additional regulatory information, see the Regulatory Compliance Homepage on www.dell.com at the following location: www.dell.com/regulatory_compliance.</p>	<ul style="list-style-type: none">• Warranty information• Terms and Conditions (U.S. only)• Safety instructions• Regulatory information• Ergonomics information• End User License Agreement

Glossary

Terms in this Glossary are provided for informational purposes only and may or may not describe features included with your particular computer.

A

AC — alternating current — The form of electricity that powers your computer when you plug the AC adapter power cable in to an electrical outlet.

D

DisplayPort — An interface standard of the Video Electronics Standards Association (VESA) used for digital displays.

docking device — provides port replication, cable management, and security features to adapt your laptop to a desktop workspace.

driver — Software that allows the operating system to control a device such as a printer. Many devices do not work properly if the correct driver is not installed in the computer.

DVI — digital video interface — A standard for digital transmission between a computer and a digital video display.

E

eSATA — External Serial Advanced Technology Attachment — An interface for external Serial ATA devices.

H

HDMI — High-Definition Multimedia Interface — An interface of 19 separate, uncompressed audio and video signals used for high definition TV and audio.

I

I/O — input/output — An operation or device that enters and extracts data from your computer. Keyboards and printers are I/O devices.

P

parallel connector — An I/O port often used to connect a parallel printer to your computer. Also referred to as an *LPT port*.

PS/2 — personal system/2 — A type of connector for attaching a PS/2-compatible keyboard, mouse, or keypad.

S

SATA — serial ATA — A faster, serial version of the ATA (IDE) interface.

serial connector — An I/O port often used to connect devices such as a handheld digital device or digital camera to your computer.

U

USB — universal serial bus — A hardware interface for a low-speed device such as a USB-compatible keyboard, mouse, joystick, scanner, set of speakers, printer, broadband devices (DSL and cable modems), imaging devices, or storage devices. Devices are plugged directly in to a 4-pin socket on your computer or in to a multi-port hub that plugs in to your computer. USB devices can be connected and disconnected while the computer is turned on, and they can also be daisy-chained together.

Free Manuals Download Website

<http://myh66.com>

<http://usermanuals.us>

<http://www.somanuals.com>

<http://www.4manuals.cc>

<http://www.manual-lib.com>

<http://www.404manual.com>

<http://www.luxmanual.com>

<http://aubethermostatmanual.com>

Golf course search by state

<http://golfingnear.com>

Email search by domain

<http://emailbydomain.com>

Auto manuals search

<http://auto.somanuals.com>

TV manuals search

<http://tv.somanuals.com>