

Definitive Technology[®]

The Leader in High-Performance Loudspeakers[®]

Mythos[®] Two, Mythos[®] Three Mythos[®] Eight & Mythos[®] Ten

Table-Top and Wall-Mount Loudspeakers
For Vertical or Horizontal Mounting

Owner's Manual

Congratulations!

Mythos Loudspeakers with Mythos Two, Mythos Three, Mythos Eight and Mythos Ten High Performance Loudspeakers are the perfect complement to your hi-tech video display. These state-of-the-art loudspeakers feature:

- The groundbreaking Mythos look: hand-polished, aircraft grade aluminum enclosure: non-resonant and internally braced for lifelike sound quality.
- High Definition Drivers and Pure Aluminum Dome Tweeters; voice matched with the whole Mythos Series for convenient mix-and-match system building, and an uninterrupted, realistic surround sound environment.
- Built-in Wall Mounting Brackets (Mythos Two features Tempered Glass Bases for table-top placement).
- Use Mythos Two vertically, either as main or surround speakers. Use Mythos Three horizontally as a center channel speaker.
- Use Mythos Eight and Mythos Ten either vertically, as main or surround speakers, or horizontally, as a center channel.
- Combine Mythos Loudspeakers with Definitive Technology SuperCube[®] Subwoofers to build super high performance Mythos sound systems for music or movies.

To ensure that you only experience the finest performance possible from your new speakers, we encourage you to take a moment (or a few) to read through this manual and familiarize yourself with the recommended hookup methods for these Mythos Loudspeakers.

Unpacking Your Mythos Loudspeakers

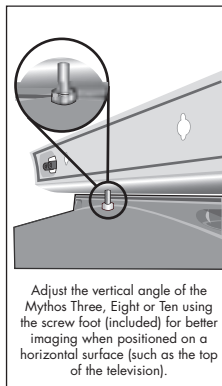
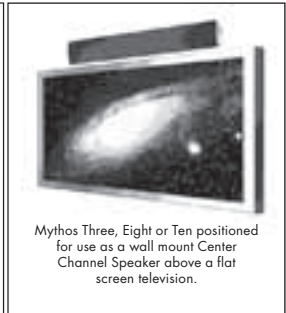
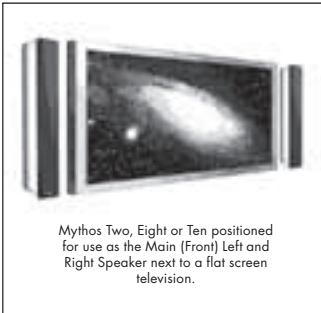
Each loudspeaker leaves our plant in perfect condition. Any visible or concealed damage is most likely to occur in handling and should be reported at once to your Definitive Technology Dealer or to the delivery company that delivered your loudspeakers. Save all cartons and packing material when you have unpacked your loudspeakers. They will do the best job of protecting your speakers if they need to be shipped or transported. Record the serial numbers found on the rear panels of your speakers in the appropriate place on your Warranty Cards and mail your Warranty Cards within 10 days of purchase.

Installation, Setup and Placement Tips

- Your speakers will work well with a variety of electronic components. As little as 10 Watts (RMS) per channel will deliver adequate listening levels in most rooms. If you plan to play your system at loud listening levels, you'll be better served by more power.
- Damage to loudspeakers can occur when an amplifier, regardless of its wattage, is made to play at higher listening levels than its power can cleanly produce (usually beyond the "1 to 2 o'clock" position on the volume control). This can result in distortion, originating in the amplifier. If you hear distortion, turn it down!
- Break-in is very important with any high-end loudspeaker, including Definitive Technology speakers. While they sound great right out of the box, the sound quality of the speaker will change noticeably after the speaker has been played for a length of time (about 20 hours). There's no special procedure, just play 'em. Loud dynamic music with lots of highs and lots of bass will work its magic faster.

Installation, Setup and Placement Tips

(Continued)



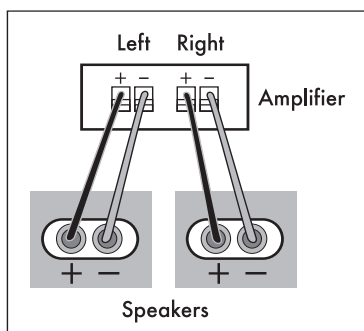
- Mythos Loudspeakers are engineered to excel when used with Definitive Technology SuperCube Subwoofers. SuperCubes deliver radical bass in compact stylish enclosures. Using a SuperCube will give you complete signal control and will result in greater dynamic range in stereo and home theater applications. See your authorized Definitive Technology Dealer to hear a SuperCube Subwoofer for yourself.
- Before performing any wire hookups, be sure to turn your electronics OFF.

Channel Balance & Bass Management

- Multichannel (Dolby Digital & DTS) receivers and processors have a critical Channel Balancing Procedure for each speaker and the subwoofer (connected via LFE or “Sub Out” low-level). This balancing procedure must be followed in order to ensure proper performance from your speakers. See your receiver/processor user’s manual for this information.
- Multichannel (Dolby Digital & DTS) receivers and processors also have Bass Management Procedures that help direct the correct frequencies to the correct speakers. Bass Management can vary from unit to unit. This frequency-setting procedure must be followed in order to ensure proper performance from your system. See your receiver/processor user’s manual for this information.

Speaker Wire Connections

When making Speaker Wire connections, use high quality, large gauge speaker wire to ensure the best performance. Note that one of the input terminals on the rear of your loudspeakers is red (+) and the other is black (-). To ensure correct polarity, make certain that you connect wire from the red (+) terminal of your receiver to the red (+) terminal of your loudspeakers, and the wire from the black (-) terminal of your receiver to the black (-) terminal of your loudspeakers. Most speaker wire has indicator markings on one conductor to help you maintain consistency. If your sound seems “thin,” check your connections for correct polarity.

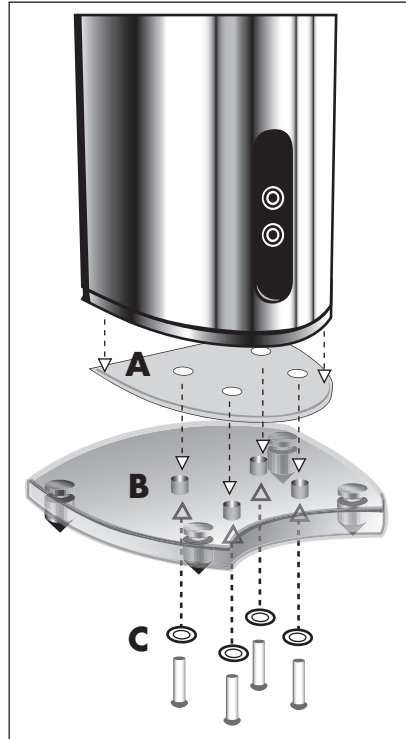


Mythos Two: Table-Top Mounting Using Glass

Mythos Two features a solid Tempered Glass Base for stable table-top positioning. Follow these directions for securely mounting the Tempered Glass Base.

Attach Speaker to Glass Base:

1. For easy installation, turn speaker upside down.
2. Place the silver bottom pad (A) over the screw holes on the bottom of the speaker, and place the glass base (B) over the silver pad (A), lining up the screw holes.
3. Line up the Cap Screws (C) with the screw holes in the glass base (B), inserting them through the silver pad (A), and into the bottom of the speaker.
4. Secure assembly to Speaker by tightening the four Cap Screws (C) firmly using the Hex Key. Do not overtighten.
5. Turn assembly right-side-up.



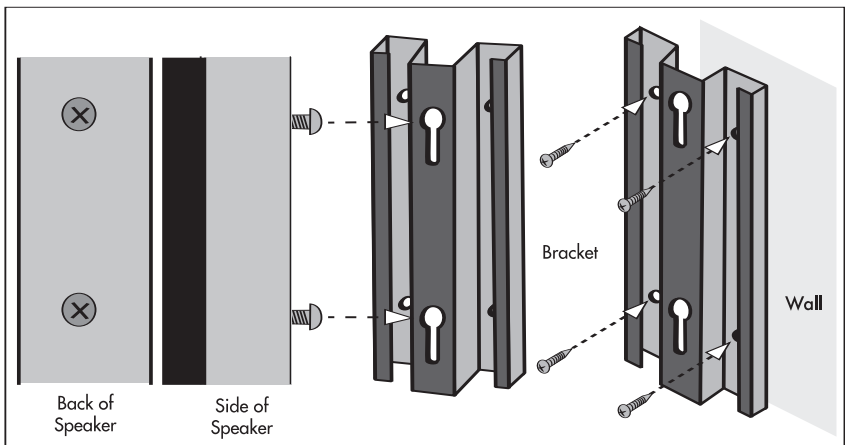
Wall Mounting Speakers Using The Mythos Bracket

Mythos Two, Mythos Three, Mythos Eight and Mythos Ten Loudspeakers each come with a custom designed wall mounting bracket and wall template that makes secure mounting a breeze.

It is recommended that Mythos Three be installed horizontally and Mythos Two be installed vertically, while Mythos Eight and Ten can be used either vertically (as mains or surrounds) or horizontally (as a high performance center channel speaker). See the next section to see how to install the Mythos Eight and Ten Logo Badge depending on speaker alignment.

The rear panel of each speaker features threaded inserts for the adjustable Mounting Screws (included). These Mounting Screws then fit easily into the Keyhole Slots on the Wall Mounting Bracket, also included. Follow these directions for installing the Wall Mounting Bracket.

- Use the Mounting Template (included) to help you judge speaker placement. Make certain the locations you have selected for wall-mounting do not conceal electrical wiring or plumbing. Make sure the speaker clears the ceiling, adjacent walls, corners, beams, lighting fixtures and door/windowframes. Leave at least 1 1/2" above the speaker location to allow the speaker to slide down onto its bracket.



Wall Mounting Speakers Using The Mythos Bracket

(Continued)

- Mark the location of pilot holes noted on the Mounting Template, and pre-drill for mounting screws (not included). Use screws rated to hold securely in the wall material (we recommend #10 screws).
- If there is no stud behind the chosen location, be certain to use wall anchors (not included) to secure the bracket screws. Follow the wall anchor manufacturer's directions.
- For masonry walls, use a masonry drill bit to pre-drill holes, and use #10 masonry anchors and screws (not included).
- When the Wall Mounting Bracket is securely screwed to the wall, insert the Mounting Screws into the rear panel of the speaker by removing the plastic plugs on the Mounting Screw Holes.
- Line up the speaker's protruding Mounting Screws with the keyhole slots on the Wall Mounting Bracket, and let the speaker slide straight down, allowing the screw heads to slip behind the smaller end of the keyhole slots for a secure mount.

Mythos Three, Eight and Ten Vertical Angle Adjustment

Your Mythos Three has a simple built-in device which stabilizes it and allows you to adjust the vertical angle when the system is placed on a flat horizontal surface. If the foot is not screwed in, screw it into the threaded hole on the bottom of the speaker. Your Mythos Eight or Ten has a simple bracket with foot which screws into the wall bracket to stabilize the speaker and allows you to adjust the vertical angle when the system is placed on a flat horizontal surface. When you set the speaker down, the speaker will lean back and rest on the foot. By varying how far you screw in the foot, you can adjust the vertical angle of the speaker. We suggest that you aim the speaker so that it points directly towards the height of the listeners' ears.

Mythos Eight and Ten Logo Badge

Mythos Eight and Ten can be mounted either vertically as main or surround speakers, or horizontally for use as a high performance center channel speaker. The Logo Badge for the Mythos Eight and Ten is packaged separately, and should be affixed in the correct place on the grille once the speaker alignment has been determined. To affix the Logo Badge, place the badge upside down on a solid flat surface such as a table. Remove the grille from the Mythos Eight or Ten and turn it flat-side-down onto the badge, carefully pressing the badge into the correct Badge Slot for the alignment you have chosen (vertical or horizontal). The Logo Badge should snap into place. Do not press hard.

Troubleshooting

Don't panic! If you experience difficulties with your speakers, try the suggestions below. If you still have problems, contact your Authorized Definitive Technology Dealer for assistance.

- Make certain that all system connections and power cords are undamaged, and solidly and snugly in their places.
- Check that no foreign objects or liquids have entered the speaker enclosure.
- If you hear nothing and you're sure the system is set up properly, you must contact your Authorized Definitive Technology Dealer for assistance.
- You can also call Definitive Technology for assistance: 410-363-7148, visit www.definitivetech.com, or email info@definitivetech.com.

Service Contact Info

Service and warranty work on your Definitive loudspeakers will normally be performed by the Definitive Technology dealer from whom you have purchased your loudspeakers. If, however, you wish to return the speaker to us, please contact us first, describing the problem and requesting authorization as well as the location of the nearest factory service center. **Please note that the address given in this booklet is the address of our offices only. Under no circumstances should loudspeakers be shipped to our offices or returned without contacting us first and obtaining return authorization.**

Definitive Technology Offices
11433 Cronridge Drive
Owings Mills, Maryland 21117
Phone: 410-363-7148

Mythos Loudspeakers Specifications

Mythos Two

Dimensions:	57/16" W x 4 1/4" D x 25 1/4" H (26 1/4" H w/Base) Base: 8" W x 6 1/2" D x 1/2" H
Driver Complement:	One 1" Dome Tweeter Two 4 1/2" Bass/Midrange Drivers Two 4 1/2" Sub Radiators
Frequency Response:	45 Hz – 30 kHz
Efficiency:	91 db
Nominal Impedance:	4 – 8 ohms
Rec. Amplification:	10 – 200 Watts/channel

Mythos Three

Dimensions:	257/16" W x 4 1/4" D x 57/16" H
Driver Complement:	One 1" Dome Tweeter Two 4 1/2" Bass/Midrange Drivers Two 4 1/2" Sub Radiators
Frequency Response:	45 Hz – 30 kHz
Efficiency:	91 db
Nominal Impedance:	4 – 8 ohms
Rec. Amplification:	10 – 200 Watts/channel

Mythos Eight

Dimensions:	28 1/2" W x 4 3/8" D x 6 1/16" H
Driver Complement:	One 1" Dome Tweeter Two 5 1/4" Bass/Midrange Drivers Two 5 1/4" Sub Radiators
Frequency Response:	38 Hz – 30 kHz
Efficiency:	91 db
Nominal Impedance:	4 – 8 ohms
Rec. Amplification:	10 – 250 Watts/channel

Mythos Ten

Dimensions:	34 1/2" W x 4 3/8" D x 6 1/16" H
Driver Complement:	One 1" Pure Aluminum Dome Tweeter Two 5 1/4" Bass/Midrange Drivers Two 5" x 8" Sub Bass Radiators
Frequency Response:	31 Hz – 30 kHz
Efficiency:	92 db
Nominal Impedance:	4 – 8 ohms
Rec. Amplification:	10 – 300 Watts/channel

Limited Warranty: 5-Years for Drivers and Cabinets, 3-Years for Electronic Components

Definitive Technology warrants to the original retail purchaser only that this Definitive Technology Loudspeaker Product (the "Product") will be free from defects in materials and workmanship for a period of five (5) years covering the drivers and cabinets, and three (3) years for the electronic components from the date of the original purchase from a Definitive Technology Authorized Dealer. However, this warranty will automatically terminate prior to the expiration of five (5) years for the drivers and cabinets and three (3) years for the electronic components if the original retail purchaser sells or otherwise transfers the Product to any other party. The original retail purchaser shall hereinafter be referred to as "you." Defective Products must be shipped, together with proof of date of purchase, prepaid insured to the Authorized Dealer from whom you purchased the Product, or to the nearest factory service center. Product(s) must be shipped in the original shipping container or its equivalent; in any case the risk of loss or damage in transit is to be borne by you. If, upon examination at the Factory or a Definitive Technology Authorized Dealer, it is determined that the unit was defective in materials or workmanship at any time during this Warranty period, Definitive Technology or the Definitive Technology Authorized Dealer will, at its option, repair or replace this Product at no additional charge, except as set forth below. All replaced parts and Product(s) become the property of Definitive Technology. Product(s) replaced or repaired under this Warranty will be returned to you, within a reasonable time, freight collect.

This Warranty does not include service or parts to repair damage caused by accident, misuse, abuse, negligence, inadequate packing or shipping procedures, commercial use, voltage in excess of the rated maximum of the unit, cosmetic appearance of cabinetry not directly attributable to defects in materials or workmanship, or service, or repair or modification of the Product which has not been authorized by Definitive Technology. Definitive Technology makes no Warranty with respect to its Products purchased from dealers or outlets other than Definitive Technology Authorized Dealers. This Warranty is in lieu of all other expressed Warranties. If this Product is defective in material or workmanship as warranted above, your sole remedy shall be repair or replacement as provided above. In no event will Definitive Technology be liable to you for any incidental or consequential damages arising out of the use or inability to use the Product, even if Definitive Technology or a Definitive Technology Authorized Dealer has been advised of the possibility of such damages, or for any claim by any other party. Some states do not allow the exclusion or limitation of consequential damages, so the above limitation may not apply to you.

All implied warranties on the Product are limited to the duration of this expressed Warranty. Some states do not allow limitation on how long an implied Warranty lasts, so the above limitations may not apply to you. This Warranty gives you specific legal rights, and you also may have other rights which vary from state to state.



This product complies with the essential requirements of EMC directives 89/336/EEC and 73/23/EEC (inclusive of 93/68/EEC) and carries the CE mark accordingly.

Definitive Technology[®]

The Leader in High-Performance Loudspeakers[®]

11433 Cronridge Drive • Owings Mills, Maryland 21117

410-363-7148

Visit us at www.definitivetech.com

Free Manuals Download Website

<http://myh66.com>

<http://usermanuals.us>

<http://www.somanuals.com>

<http://www.4manuals.cc>

<http://www.manual-lib.com>

<http://www.404manual.com>

<http://www.luxmanual.com>

<http://aubethermostatmanual.com>

Golf course search by state

<http://golfingnear.com>

Email search by domain

<http://emailbydomain.com>

Auto manuals search

<http://auto.somanuals.com>

TV manuals search

<http://tv.somanuals.com>