



THE PROFESSIONAL AND EURO VENT HOOD

Use and Care Guide



MODELS:

VS30

VS36

VS48

VS1236

ES30

ES36



A MESSAGE TO OUR CUSTOMERS

Thank you for selecting this DCS Professional Vent Hood. Because of this appliance's unique features we have developed this Use and Care Manual. It contains valuable information on how to properly operate and maintain your new appliance for years of safe and enjoyable cooking.

To serve you better, please fill out and submit your Ownership Registration by visiting our website at www.dcsappliances.com and selecting "Customer Service" on the home page and then select "Ownership Registration" or submit the enclosed Ownership Registration Card to the address below. In addition, keep this manual handy, as it will help answer questions that may arise as you use your new appliance.

For your convenience, product questions can be answered by a DCS Customer Care Representative by phone: 1-888-281-5698, email: support@dcsappliances.com, or by mail:

Fisher & Paykel Appliances, Inc.
Attention: DCS Customer Care
5900 Skylab Road
Huntington Beach, CA 92647

www.dcsappliances.com

APPROVED FOR INDOOR COOKING APPLIANCES AND RESIDENTIAL USE ONLY.

PLEASE READ ENTIRE INSTRUCTIONS BEFORE PROCEEDING.

Installation must comply with all local codes.



WARNING

If the information in this manual is not followed exactly, a fire or explosion may result causing property damage, personal injury or death. Do not store or use gasoline or other flammable vapors and liquids in the vicinity of this or any other appliance.



WARNING

To reduce the risk of injury to persons in the event of a rangetop grease fire, observe the following: Turn burner off first. Smother flames with a close-fitting lid, cookie sheet, or metal tray. Be careful to prevent burns. If the flames do not go out immediately evacuate and call the fire department. Never pick up a flaming pan - You may be burned. DO NOT USE WATER, including wet dishcloths or towels - a violent steam explosion will result. Use an extinguisher ONLY if:

- 1) You know you have a Class ABC extinguisher, and you already know how to operate it.
- 2) The fire is small and contained in the area where it started.
- 3) The fire department is being called.
- 4) You can fight the fire with your back to an exit.



SAFETY WARNING:

Turn off power circuit at service panel and lock out panel, before wiring this appliance.

Requirement: 120 V AC, 60 Hz. 15 A Branch Circuit

PLEASE RETAIN THIS MANUAL FOR FUTURE REFERENCE.

A MESSAGE TO OUR CUSTOMERS

FOR YOUR SAFETY

If You Smell Gas:

- *Do not try to light any appliance.*
- *Do not touch any electrical switch; do not use any phone in your building.*
- *Immediately call your gas supplier from a neighbor's phone. Follow the gas supplier's instructions.*
- *If you cannot reach your gas supplier, call the fire department.*
- *Installation and service must be performed by a qualified installer, service agency or the gas supplier.*

TABLE OF CONTENTS

SAFETY PRACTICES.....	3-5
USE AND CARE	6-8
HOW TO OBTAIN SERVICE	9
WARRANTY	10

SAFETY PRACTICES AND PRECAUTIONS

CAUTION:

For general ventilating use only. DO NOT use to exhaust hazardous or explosive materials or vapors



WARNING:

To reduce the risk of fire, electrical shock, or injury to persons, observe the following :

- A. Use this unit only in the manner intended by the manufacturer. If you have questions, contact the manufacturer.
- B. Before servicing or cleaning the unit, switch power off at service panel and lock service panel disconnecting means to prevent power from being switched on accidentally. When the service disconnecting means cannot be locked, securely fasten a prominent warning device, such as a tag, to the service panel.
- C. Installation work and electrical wiring must be done by qualified person(s) in accordance with all applicable codes & standards, including fire-rated construction.
- D. Sufficient air is needed to maintain proper combustion and safe exhausting of gases through the flue (chimney) of fuel burning equipment to prevent backdrafting. Follow the heating equipment manufacturers guideline and safety standards such as those published by the National Fire Protection Association (NFPA), the American Society for Heating, Refrigeration and Air Conditioning Engineers (ASHRAE), and the local code authorities.
- E. When cutting or drilling into wall or ceiling, do not damage electrical wiring and other hidden utilities.
- F. Ducted systems must always be vented to the outdoors.

CAUTION:

To reduce the risk of fire and to properly exhaust air, be sure to duct air to outside. Do not vent exhaust air into spaces within walls or ceiling, nor into attics, crawl spaces, or garages.



WARNING:

To reduce the risk of fire, use only metal duct work.

Install this hood in accordance with all requirements specified.



WARNING:

To reduce the risk of fire or electric shock, do not use this hood with any external solid state speed control device.

SAFETY PRACTICES & PRECAUTIONS



WARNING:

To reduce the risk of a range top grease fire:

- A. Never leave surface units unattended at high settings. Boilovers cause smoking and greasy spillovers that may ignite. Heat oil slowly on low or medium settings.
- B. Always turn hood "ON" when cooking at high heat or when flambeing food (i.e. Crepes Suzette, Cherries Jubilee, Peppercorn Beef Flambe').
- C. Clean ventilating fans frequently. Grease should not be allowed to accumulate on fan or filter.
- D. Use proper pan size. Always use cookware appropriate for the size of the surface unit.



WARNING:

To reduce the risk of injury to persons, in the event of a range top grease fire, observe the following:

- A. SMOTHER FLAMES with a close-fitting lid, cookie sheet, or other metal tray, then turn off the gas burner or the electric element. BE CAREFUL TO PREVENT BURNS. If the flames do not go out immediately, EVACUATE AND CALL THE FIRE DEPARTMENT.
- B. NEVER PICK UP A FLAMING PAN - you may be burned.
- C. DO NOT USE WATER, including wet dishcloths or towels - a violent steam explosion may result. Do not use water on a grease fire. Burning grease and water will explode.
- D. Use an extinguisher ONLY if:
 - 1) You know you have a class ABC extinguisher, and you already know how to operate it.
 - 2) The fire is small and contained in the area where it started.
 - 3) The fire department is being called.
 - 4) You can fight the fire with your back to an exit.

NOTE: Unit **MUST** be vented to the outside of the building.

IMPORTANT: Refer to ducting information supplied in the Installation Manual (p/n 17797, Pg. 9)



WARNING:

To reduce the risk of electrical shock or injury to persons, all vent hoods must be installed with ventilators that have been approved for use with the hood.

CAUTION:

To reduce the risk of fire and electric shock, install this rangehood only with remote blower models specified by the Manufacturer.

SAFETY PRACTICES & PRECAUTIONS

This Vent Hood system is designed to remove smoke, cooking vapors and odors from the cooktop area.

 **WARNING:**

All wall and floor openings where the vent hood is installed must be sealed.

Consult the cooktop or range installation instructions given by the manufacturer before making any cutouts. **MOBILE HOME INSTALLATION-** The installation of this Hood must conform to the Manufactured Home Construction and Safety Standards, Title 24 CFR, Part 3280 (formerly Federal Standard for Mobile Home Construction and Safety, Title 24, HUD, Part 280). Three wire power supply must be used and the appliance wiring must be revised. See electrical requirements on page 1.

- DO NOT use 4" laundry-type wall caps.
- Flexible-type ductwork is not recommended.
- DO NOT obstruct the flow of combustion and ventilation air. Be sure a fresh air supply is available.
- Failure to follow venting requirements may result in a fire.
- Electrical ground is required on this Hood.
- If cold water pipe is interrupted by plastic, non-metallic gaskets or other materials, DO NOT use for grounding.
- DO NOT ground to a gas pipe.
- DO NOT have a fuse in the neutral or grounding circuit. A fuse in the neutral or grounding circuit could result in electrical shock.
- Check with a qualified electrician if you are in doubt as to whether the Hood is properly grounded.
- Failure to follow electrical requirements may result in a fire.
- Be sure all the range and/or cooktop controls are turned off and the appliance is cool before using any type of aerosol cleaner on or around the appliance. The chemical that produces the spraying action could, in the presence of heat, ignite or cause metal parts to corrode.
- Clean the ventilator hood and filters above the range or cooktop frequently so grease from cooking vapors does not accumulate on them.
- Service should only be done by authorized technicians. Technicians must disconnect the power supply before servicing this appliance.

 **WARNING:**

California Proposition 65 - The burning of gas cooking fuel generates some by-products which are known by the State of California to cause cancer or reproductive harm. California law requires businesses to warn customers of potential exposure to such substances. To minimize exposure to these substances, always operate this unit according to the instructions contained in this booklet and provide good ventilation to the room when cooking with gas.

USE AND CARE

CONTROL PANEL

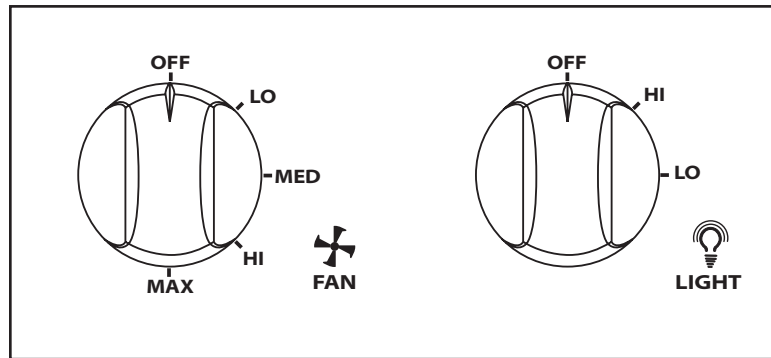


Fig. 01

FAN CONTROL

Turn to LO, MED, HI or MAX as needed. Continuous use of the fan system while cooking helps keep the kitchen comfortable and less humid. It also reduces cooking odors and soiling moisture that create a frequent need for cleaning.

ALWAYS USE THE MAX SETTING WHEN GRILLING.

LIGHT CONTROL

Turn to HI while cooking or to LO for use as a night light.

HOOD OPERATING INSTRUCTIONS

The blower should be turned on for a few minutes before cooking in order to establish air currents upward through the hood. Thus when heat, smoke, moisture, grease and cooking odors are produced, they will be carried outside instead of drifting into other rooms. Use the low speeds for normal use and the higher speeds for strong odors or fumes. Drafts across the range or cooktop will cause the escape of heat, smoke, moisture, grease and cooking odors from the hood. Such drafts should be prevented in so far as possible. The best job of ventilation in the kitchen is done where the only air currents are those created by the blower itself.

USE AND CARE

BLOWER

The motor is operated by LO/MED/HI/MAX speed control switch. You may change the speed of the motor depending on the amount of grease and smoke you are creating while cooking.

ALWAYS USE THE MAX SETTING WHEN GRILLING.

FILTERS AND DRIP TRAYS

These hoods have reusable metal grease baffles and drip trays. The metal baffles channel grease released by foods on the cooktop into the drip trays. The baffles also help prevent flaming foods on the cooktop from damaging the inside of the hood. For this reason, the baffles must **ALWAYS** be in place when the hood is used. The grease baffles and drip trays should be cleaned once a month, or as needed.

To clean the grease baffles and drip trays, drain and wipe all excess grease with a dry paper towel. Soak them and then swish them around in hot water and detergent. Don't use ammonia or ammonia products because they will darken the metal. Do not use abrasives or oven cleaners. Rinse, shake and let them dry before replacing. **They may also be cleaned in the dishwasher.**

TO REMOVE:

Grasp the baffle knobs and pull them up, forward and out. Grasp the drip tray and carefully lift it up and out of the hood track.

To replace the drip trays:

1. Place and seat the drip tray into the hood track.
2. Slide them left or right until all trays are side-by-side in place in the track.

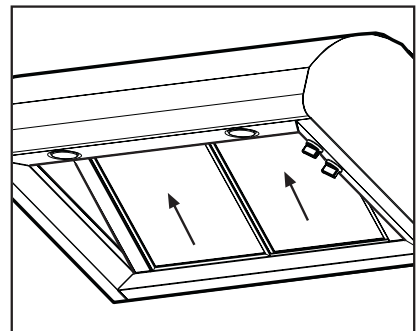


Fig. 02

To replace the baffles:

1. Hold the baffle at the bottom by one of the knobs .
2. Place the other end of the baffle against the inside front of the hood.
3. Slide it up and push the bottom end back until it firmly seats into place.

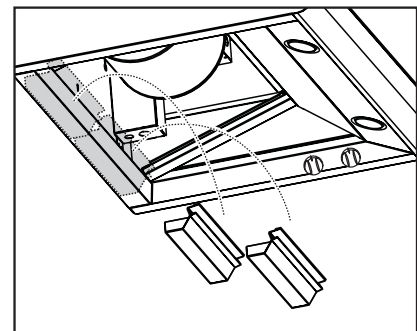


Fig. 03

To remove filters (Euro vent hood only):

1. Push handle towards the rear, then rotate the filters outwards.
2. To replace proceed in reverse order.

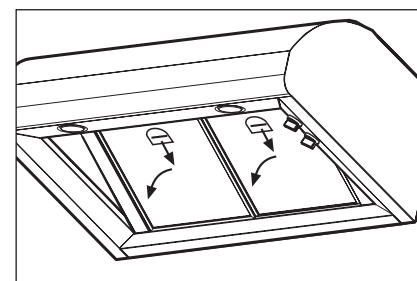


Fig. 04

USE AND CARE

TO CLEAN HOOD SURFACE

- For general care, wipe the outside of the stainless steel with sudsy water or household cleaners such as Fantastic® or Formula 409®, rinse well and dry with clean soft cloth to avoid water marks.
- Wipe and dry brushed stainless steel in the same direction as the grain.
- Do not use abrasive products.
- To remove finger prints and give added shine use spray cleaners such as Stainless Steel Magic® and Shimmer®

LIGHTS

CAUTION:

Before replacing the lamps, switch power off at service panel and lock service panel disconnecting means to prevent power from being switched on accidentally.

NOTE: *Turn off the lights and fan. Allow the lights to cool before handling. If new lights do not operate, be sure lights are inserted correctly before calling service.*

REPLACE LIGHTS

- Remove the damaged light (twist counter clockwise) and replace with a new 120 Volt, 50 Watt (maximum) 50° halogen light made for a GU10 base.



WARNING:

Halogen lamps are constructed of a glass bulb with a pressurized internal filament tube that operates at high temperatures and could unexpectedly shatter. Should the outer bulb break, particles of extremely hot glass could be discharged into the fixture enclosure and/or surrounding environment, thereby creating a risk of personal injury or fire. When replacing the bulb, let the bulb cool, and assure that power to the light has been turned off. Never allow the hot bulb to come into contact with water. DO NOT TOUCH the Light Bulb when in use. They may be hot enough to cause injury.

INFRARED LAMP AND PANEL KIT:

Optional infrared lamp and panel kit can be ordered separately and mounted into your vent hood: Models available are IR30, IR36 and IR48.



WARNING

To avoid any electrical shock the installation of the IR lamp should be done by a qualified electrician and before starting the installation of the hood.

HOW TO OBTAIN SERVICE

BEFORE YOU CALL FOR SERVICE

- Is the circuit breaker tripped or the fuse blown?
- Is there a power outage in the area?

For warranty service, please contact your local service provider or DCS Customer Care Representative at (888) 281-5698, Monday thru Friday, 6 am - 4:30 pm PST. Before you call, please have the following information ready:

- Model Number
- Serial Number
- Date of installation
- A brief description of the problem
- Proof of purchase

Your satisfaction is of the utmost importance to us. If a problem cannot be resolved to your satisfaction, please call, write or email us at:

Write:

Fisher & Paykel Appliances, Inc.
Attention: DCS Customer Care
5900 Skylab Road
Huntington Beach, CA 92647

email: support@dcsappliances.com

WARRANTY

LENGTH OF WARRANTY

One (1) Year Full parts and Labor Covers the entire product

Five (5) Year Limited warranty covering the switches and motor part only.

DCS WILL PAY FOR

All repair labor and parts found to be defective due to materials or workmanship for one full year "IN HOME" warranty during the first year of ownership. This does not apply if the unit was subjected to other than normal household use. Service must be provided by Authorized Factory Agent during normal working hours. No charges will be made for repair or replacement at the location of initial installation or factory for parts returned pre-paid, through the dealer and claimed within the warranty period, and found by DCS to be defective.

Replacement will be F.O.B. DCS, and DCS will not be liable for any transportation costs, labor costs, or export duties. This warranty shall not apply, nor can we assume responsibility for damage that might result from failure to follow manufactures instructions or local codes, where the appliance has been tampered with or altered in anyway or which, in our judgement, has been subjected to misuse, negligence, or accident. Implied warranty shall not extend beyond the duration of this written warranty. This warranty is in lieu of all warranties expressed or implied and all other obligations or liability in connection with the sale of this appliance.

DCS WILL NOT PAY FOR

- Installation or start-up.
- Shipping damage.
- Service by an unauthorized agency.
- Damage or repairs due to service by an unauthorized agency or the use of unauthorized parts.
- Service during other than normal working hours.
- Improper installation, such as improper hook-up, etc.
- Service visits to teach you how to use the appliance; correct the installation; reset circuit breakers or replace home fuses.
- Repairs due to other than normal household use.
- Damage caused from accident, abuse, alteration, misuse, incorrect installation or installation not in accordance with local codes.
- Units installed in non-residential application such as day care centers, bed and breakfast centers, churches, nursing homes, restaurants, hotels, schools, etc.

This warranty applies to appliances used in residential applications; it does not cover their use in commercial situations. This warranty is for products purchased and retained in the 50 states of the U.S.A., the District of Columbia and Canada. This warranty applies even if you should move during the warranty period. Should the appliance be sold by the original purchaser during the warranty period, the new owner continues to be protected until the expiration date of the original purchaser's warranty period.

This warranty is in lieu of all other warranties, express or implied, and all implied warranties, including warranties of merchantability and fitness for a particular purpose, are hereby disclaimed to the full extent permitted by law. To the extent that implied warranties may not be disclaimed, the duration of any implied warranties, including implied warranties of merchantability and fitness for a particular purpose, are limited to the duration of this express warranty. This warranty gives you specific legal rights. You may also have other rights which vary from state to state.



LA HOTTE DE VENTILATION EUROPÉENNE PROFESSIONNELLE

Manuel d'utilisation et d'entretien



MODÈLES :

VS30
VS36
VS48

VS1236
ES30
ES36



À L'INTENTION DE NOS CLIENTS

Nous vous remercions d'avoir choisi cette hotte à évacuation professionnelle DCS. Nous avons conçu ce Manuel d'utilisation et d'installation pour expliquer ses fonctions uniques. Il contient des informations extrêmement utiles sur la façon de faire fonctionner et d'entretenir correctement votre nouvel appareil. Vous pourrez ainsi en profiter pendant des années en toute sécurité.

Aidez-nous à mieux vous servir en remplissant l'enregistrement du propriétaire et en nous la soumettant depuis notre site Web à www.dcsappliances.com. Sélectionnez « Service à la clientèle » sur la page d'accueil puis « Enregistrement du propriétaire », ou envoyez-nous par courrier la Carte d'enregistrement du propriétaire à l'adresse ci-dessous. De plus, gardez ce manuel à portée de main afin de rapidement trouver réponse à vos questions durant l'utilisation de votre nouvel appareil.

Si vous avez des questions au sujet de notre produit, communiquez avec un représentant du service à la clientèle DCS par téléphone : 1-888-281-5698, par courriel : support@dcsappliances.com, ou par courrier :

Fisher & Paykel Appliances, Inc.
Attention: DCS Customer Care
5900 Skylab Road
Huntington Beach, CA 92647
www.dcsappliances.com

AUTORISÉ POUR APPAREILS ÉLECTROMÉNAGERS INTÉRIEURS ET POUR USAGE RÉSIDENTIEL SEULEMENT.

VEUILLEZ LIRE TOUTES LES INSTRUCTIONS AVANT DE COMMENCER.
L'installation doit être conforme aux codes en vigueur.



AVERTISSEMENT

Si les informations de ce manuel ne sont pas suivies à la lettre, un incendie ou une explosion peuvent se produire et causer des dommages matériels, des blessures ou la mort. Évitez de stocker ou d'utiliser de l'essence ou tout autre liquide et vapeur inflammable à proximité de cet appareil électroménager ou de tout autre.



AVERTISSEMENT

Pour réduire les risques de blessures en cas de feu de graisse sur la cuisinière, respectez les consignes suivantes : Éteignez d'abord le brûleur. Éteuffez les flammes à l'aide d'un couvercle hermétique, d'une plaque à biscuits ou d'un plateau métallique. Attention à ne pas vous brûler. Si les flammes ne s'éteignent pas immédiatement, évacuez les lieux et appelez les pompiers. Ne prenez jamais en main une poêle ou une casserole qui a pris feu - Vous pourriez vous brûler. **N'UTILISEZ PAS D'EAU**, y compris des serviettes mouillées; une explosion de vapeur violente pourrait en résulter. Utilisez un extincteur **SEULEMENT** si :

- 1) Vous êtes sûr qu'il s'agit d'un extincteur de classe ABC et savez comment le faire fonctionner.
- 2) Ce n'est pas un très gros incendie et qu'il se limite à l'endroit où il s'est déclenché.
- 3) Vous êtes en train d'avertir les pompiers.
- 4) Vous pouvez combattre l'incendie le dos tourné vers une sortie.



AVERTISSEMENT RELATIF À LA SÉCURITÉ :

Coupez le circuit électrique au niveau du panneau de service et verrouillez le panneau avant de brancher cet appareil électroménager.
Alimentation : Circuit de branchement de 120 V c.a., 60 Hz, 15 A.

À L'INTENTION DE NOS CLIENTS

POUR VOTRE SÉCURITÉ

Si vous sentez une odeur de gaz :

- *N'essayez pas d'allumer aucun appareil électroménager.*
- *Ne touchez aucun interrupteur électrique; n'utilisez aucun téléphone dans l'édifice.*
- *Appelez immédiatement votre fournisseur de gaz de chez un voisin. Suivez les instructions du fournisseur de gaz.*
- *Si vous n'arrivez pas à joindre votre fournisseur de gaz, appelez les pompiers.*
- *Toute installation ou service doit être confié à un installateur qualifié, un organisme de service ou le fournisseur de gaz.*

VEUILLEZ CONSERVER CE MANUEL À TITRE DE RÉFÉRENCE.

TABLE DES MATIÈRES

CONSIGNES DE SÉCURITÉ	3-5
ENTRETIEN ET UTILISATION.....	6-8
POUR L'OBTENTION DE SERVICE.....	9
GARANTIE	10

MESURES DE SÉCURITÉ ET DE PRÉCAUTION

MISE EN GARDE :

*Pour ventilation générale seulement. **N'UTILISEZ pas l'appareil pour évacuer des substances ou vapeurs dangereuses ou explosives.***



AVERTISSEMENT :

Pour réduire les risques d'incendie, de choc électrique ou de blessures, respectez les consignes suivantes :

- A. Utilisez l'appareil strictement selon les consignes du fabricant et communiquez avec celui-ci si vous avez des questions.
- B. Avant tout entretien ou nettoyage, coupez le courant au niveau du panneau de service et verrouillez le dispositif de sectionnement pour éviter une mise sous tension accidentelle. S'il ne peut être verrouillé, fixez solidement un avertissement clairement visible (une étiquette, p. ex.) au panneau de service.
- C. L'installation et le câblage électrique doivent être effectués par des personnes qualifiées conformément aux codes et normes en vigueur, y compris les constructions classées résistant au feu.
- D. Pour éviter le refoulement d'air, une quantité d'air suffisante est nécessaire pour assurer une bonne combustion et l'évacuation des gaz à travers le carneau (cheminée) de l'appareil. Suivez les consignes du fabricant de l'appareil de cuisson ainsi que les normes de sécurité comme celles publiées par la National Fire Protection Association (NFPA) et la American Society for Heating, Refrigeration and Air Conditioning Engineers (ASHRAE), ainsi que les normes locales.
- E. Lorsque vous découpez ou percez les murs ou le plafond, évitez d'endommager le câblage électrique et autres installations des services publics pouvant être dissimulés.
- F. Les systèmes à conduits doivent toujours être évacués vers l'extérieur.

MISE EN GARDE :

Pour réduire les risques d'incendie et pour assurer une bonne évacuation de l'air, veillez à ce que l'air soit acheminé vers l'extérieur. Ne rejetez pas l'air évacué dans les espaces entre les murs ou les plafonds, ni dans les greniers, les galeries ou les garages.



AVERTISSEMENT :

Pour réduire les risques d'incendie, utilisez des conduits métalliques uniquement.

Installez cette hotte conformément à toutes les exigences spécifiées.



AVERTISSEMENT :

Afin de réduire les risques d'incendie ou de choc électrique, évitez d'utiliser cette hotte avec un appareil externe de contrôle de vitesse transistorisé.

MESURES DE SÉCURITÉ ET DE PRÉCAUTION



AVERTISSEMENT :

Pour réduire les risques de feu de graisse sur la cuisinière :

- A. Ne laissez jamais les plaques de cuisson sur réglage élevé sans surveillance. L'ébullition peut provoquer des débordements graisseux pleins de fumée pouvant prendre feu. Chauffez l'huile lentement, à feu doux ou moyen.
- B. Allumez toujours la hotte lorsque vous cuisez à feu vif ou que vous cuisinez des plats flambés (par ex. crêpes Suzette, cerise jubilé, steak au poivre flambé).
- C. Nettoyez régulièrement les ailes des ventilateurs. Ne laissez pas s'accumuler la graisse sur le ventilateur ou le filtre.
- D. Utilisez des récipients de taille appropriée. Utilisez toujours des ustensiles de cuisson dont la taille est appropriée à la surface de votre élément de cuisson.



AVERTISSEMENT :

Pour réduire les risques de blessures au cas où la cuisinière prendrait feu, respectez les consignes suivantes :

- A. ÉTOUFFEZ LES FLAMMES à l'aide d'un couvercle hermétique, d'une plaque à biscuits ou d'un plateau métallique, puis éteignez le brûleur ou l'élément chauffant. ATTENTION À NE PAS VOUS BRÛLER. Si les flammes ne s'éteignent pas immédiatement, ÉVACUEZ LES LIEUX ET APPELEZ LES POMPIERS.
- B. NE PRENEZ JAMAIS EN MAIN UNE POÊLE OU UNE CASSEROLE QUI A PRIS FEU - Vous pourriez vous brûler.
- C. N'UTILISEZ PAS D'EAU, ni torchons ou serviettes mouillées - vous provoqueriez une violente explosion de vapeur. Ne versez pas d'eau sur les feux de graisse. Le mélange de graisse brûlante et d'eau provoquera une explosion.
- D. Utilisez un extincteur SEULEMENT si :
 - 1) Vous savez que vous avez un extincteur de classe ABC et vous en connaissez déjà le mode d'emploi.
 - 2) L'incendie est limité et se limite à l'endroit où il s'est déclenché.
 - 3) Vous êtes en train d'avertir les pompiers.
 - 4) Vous pouvez combattre l'incendie le dos tourné vers une sortie.

REMARQUE : L'appareil DOIT évacuer l'air vers l'extérieur du bâtiment.

IMPORTANT : Reportez-vous aux informations sur les conduits indiquées dans le Manuel d'installation (réf. 17797, page 9)



AVERTISSEMENT :

Pour réduire les risques de choc électrique ou de blessures, les hottes à évacuation doivent être installées avec des ventilateurs dont l'utilisation avec ces hottes a été approuvée.

MISE EN GARDE :

Afin de réduire les risques d'incendie et de choc électrique, installez cette hotte seulement sur des modèles dotés de ventilateurs à distance spécifiés par le fabricant.

MESURES DE SÉCURITÉ ET DE PRÉCAUTION

Ce système de hotte est conçu pour évacuer la fumée, les vapeurs de cuisson et les odeurs provenant de la table de cuisson.

AVERTISSEMENT :

Toutes les ouvertures murales et de plancher où est installée la hotte doivent être scellées.

Avant d'effectuer les découpes, consultez les instructions de montage de la table de cuisson ou de la cuisinière fournies par le fabricant. INSTALLATION DANS UNE MAISON MOBILE - L'installation de cette hotte doit respecter les normes Manufactured Home Construction and Safety Standards, Titre 24 CFR, Section 3280 (ancienne appellation : Federal Standard for Mobile Home Construction and Safety, Titre 24, HUD, Section 280). Une alimentation à trois fils doit être utilisée et le câblage de l'appareil doit être révisé. Voir les exigences électriques à la page 1.

- N'UTILISEZ PAS de chapeaux de mur de 4 po.
- Les conduits flexibles ne sont pas recommandés.
- ÉVITEZ d'obstruer le flot d'air de combustion et de ventilation. Assurez toujours un apport d'air frais.
- Le non-respect des exigences de ventilation peut causer un incendie.
- Cette hotte exige une mise à la terre électrique.
- ÉVITEZ d'utiliser le tuyau d'eau froide comme prise de terre s'il est interrompu par des joints non métalliques en plastique ou d'autres matériaux.
- N'UTILISEZ PAS le tuyau de gaz comme prise de terre.
- ÉVITEZ de placer un fusible dans le circuit neutre ou de terre car cela pourrait provoquer un choc électrique.
- Consultez un électricien qualifié si vous avez des doutes concernant la mise à la terre de la hotte.
- Le non-respect des exigences électriques peut causer un incendie.
- Assurez-vous que les boutons de la cuisinière ou de la table de cuisson sont fermés et que l'appareil est froid avant d'utiliser des nettoyants aérosol sur l'appareil ou à proximité. L'élément chimique qui produit le jet de vaporisation peut, en présence de chaleur, s'enflammer ou provoquer la corrosion des parties métalliques.
- Nettoyez fréquemment la hotte et les filtres de ventilation surplombant la cuisinière ou table de cuisson afin d'empêcher toute accumulation de graisse provenant des vapeurs de cuisson.
- ÉTEIGNEZ le ventilateur en cas d'incendie ou si vous flambez intentionnellement des liqueurs ou des spiritueux sur la table de cuisson. Si le ventilateur est en marche, il pourrait en effet répandre les flammes.
- Les réparations doivent être effectuées par des techniciens agréés uniquement. Ceux-ci doivent débrancher le bloc d'alimentation avant de travailler sur l'appareil.

AVERTISSEMENT :

Proposition 65 de la Californie - L'incinération de gaz de cuisson génère des sous-produits considérés par l'État de Californie comme pouvant causer le cancer ou des malformations congénitales. Les lois de Californie exigent que les entreprises avertissent leurs clients qu'ils risquent d'être exposés à de telles substances. Pour minimiser l'exposition à ces substances, faites toujours fonctionner l'appareil conformément aux instructions contenues dans ce manuel et assurez une bonne ventilation lorsque vous cuisinez au gaz.

ENTRETIEN ET UTILISATION

PANNEAU DE CONTRÔLE

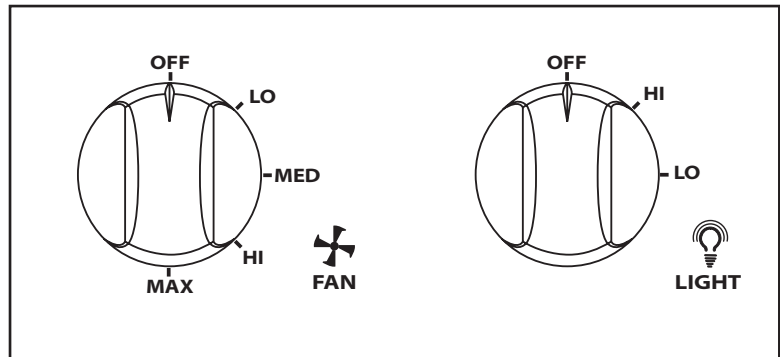


Fig. 01

CONTRÔLE DU VENTILATEUR

Réglez le ventilateur sur LO, MED, HI ou MAX (BAS, MOYEN, HAUT ou MAX) selon le besoin. L'utilisation continue du ventilateur durant la cuisson permet de rendre la cuisine confortable et moins humide. Celui réduit également les odeurs de cuisson et l'accumulation de graisses, ce qui oblige à nettoyer fréquemment sinon.

UTILISEZ TOUJOURS LE RÉGLAGE MAX LORSQUE VOUS GRILLEZ DES ALIMENTS.

CONTRÔLE DE LUMIÈRE

Réglez le bouton à HI (HAUT) durant la cuisson ou LO (BAS) pour vous servir de la lumière comme veilleuse.

MODE D'EMPLOI DE LA HOTTE

Allumez le ventilateur pendant quelques minutes avant la cuisson afin d'établir un courant d'air ascendant vers la hotte. Ainsi, la chaleur, la fumée, l'humidité, les graisses et les odeurs de cuisson produites seront évacuées à l'extérieur au lieu de pénétrer dans les autres pièces. Utilisez les basses vitesses pour un usage normal et les hautes vitesses pour les fortes odeurs ou les fumées. Tout courant d'air au-dessus de la cuisinière ou de la table de cuisson gênera l'évacuation de la chaleur, de la fumée, de l'humidité, des graisses et des odeurs de cuisson par la hotte. Évitez ces courants d'air dans la mesure du possible. Vous obtiendrez une ventilation idéale dans la cuisine si les seuls courants d'air présents sont ceux provenant du ventilateur.

ENTRETIEN ET UTILISATION

VENTILATEUR

Le moteur est contrôlé à l'aide d'un bouton de contrôle de vitesse LO/MED/HI/MAX (BAS/MOYEN/HAUT/MAX). Vous pouvez changer la vitesse du moteur en fonction de la quantité de graisse et de fumée produite durant la cuisson.

UTILISEZ TOUJOURS LE RÉGLAGE MAX LORSQUE VOUS GRILLEZ DES ALIMENTS.

FILTRES ET RÉCIPIENTS À GRAISSE

Cette hotte est dotée de baffles et de récipients à graisse métalliques réutilisables. Les baffles métalliques acheminent la graisse de cuisson dans les récipients à graisse. Les baffles empêchent aussi les aliments flambés sur la table de cuisson d'endommager l'intérieur de la hotte. Par conséquent, vous devez **TOUJOURS** mettre les baffles en place lorsque la hotte est utilisée. Nettoyez les baffles et les récipients à graisse une fois par mois ou selon le besoin.

Pour nettoyer les baffles et les récipients à graisse, égouttez et essuyez toute trace de graisse à l'aide d'une serviette en papier. Faites-les tremper, puis remuez-les dans un mélange d'eau chaude et de détergent. N'utilisez pas d'ammoniaque ou de produits à base ammoniaque car ceux-ci peuvent foncer le métal. N'utilisez pas de nettoyeurs abrasifs ni de produits à nettoyer les fours. Rincez, égouttez et laissez-les sécher avant de les replacer. **Vous pouvez également les laver dans le lave-vaisselle.**

RETRAIT :

Saisissez les boutons des baffles et tirez vers le haut et vers l'avant. Saisissez le récipient à graisse et tirez-le soigneusement pour l'extraire du rail de la hotte.

Pour replacer les récipients à graisse :

1. Positionnez et enfoncez le récipient à graisse sur le rail de la hotte.
2. Glissez-les vers la gauche ou la droite jusqu'à ce qu'ils soient juxtaposés dans la rainure.

Pour replacer les baffles :

1. Tenez la baffle par le bas par un des boutons.
2. Placez l'autre extrémité de la baffle contre la partie intérieure avant de la hotte.
3. Glissez-la et enfoncez la partie inférieure vers l'arrière jusqu'à ce qu'elle soit bien en place.

Retrait des filtres (hotte à évacuation européenne seulement) :

1. Poussez les poignées vers l'arrière, puis tournez les filtres vers l'extérieur.
2. Procédez en ordre inverse pour les remettre en place.

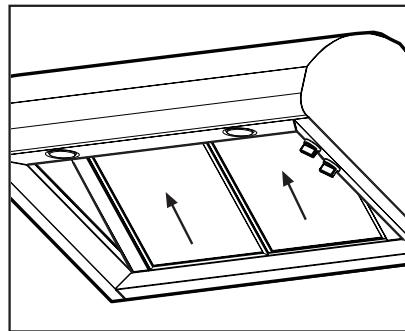


Fig. 02

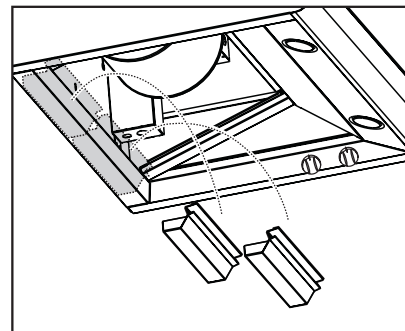


Fig. 03

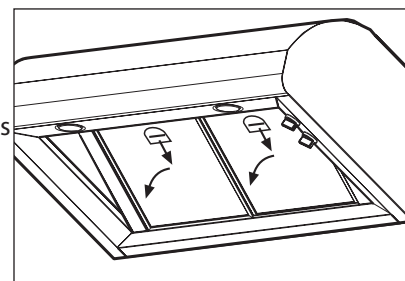


Fig. 04

ENTRETIEN ET UTILISATION

NETTOYAGE DE LA SURFACE DE LA HOTTE

- Pour un entretien général, essuyez l'extérieur en acier inoxydable avec de l'eau savonneuse ou des nettoyants ménagers tel que Fantastic^{MD} ou Formula 409^{MD}, rincez soigneusement puis séchez à l'aide d'un linge doux et propre pour éviter de laisser des marques d'eau.
- Essuyez et séchez l'acier inoxydable brossé dans le sens du grain.
- N'utilisez pas de produits abrasifs.
- Pour enlever les traces de doigts et donner un plus grand éclat, utilisez des nettoyants en aérosol tel que Stainless Steel Magic^{MD} et Shimmer^{MD}.

LUMIÈRES

MISE EN GARDE :

Avant de remplacer les ampoules, coupez le courant au niveau du panneau de service et verrouillez le dispositif de sectionnement pour éviter une mise sous tension accidentelle.

REMARQUE : *Éteignez les lumières et le ventilateur. Laissez refroidir les lumières avant de les manipuler. Si les ampoules neuves ne fonctionnent pas, assurez-vous qu'elles sont insérées correctement avant d'appeler le service technique*

REPLACEMENT DES AMPOULES

- Retirez l'ampoule endommagée (tourner dans le sens contraire des aiguilles d'une montre) et remplacez-la par une ampoule halogène neuve de 120 volts, 50 watts (maximum) 50° prévue pour une douille GU10.



AVERTISSEMENT :

Les lampes halogènes sont faites d'une ampoule de verre comportant un tube à filament interne pressurisé fonctionnant à températures élevées et pouvant éclater subitement. Si l'ampoule externe casse, des particules de verre extrêmement chaudes peuvent être relâchées dans l'enceinte du dispositif d'éclairage ou dans son environnement, créant ainsi un risque de blessures ou d'incendie. Avant de remplacer une ampoule, laissez-la refroidir et assurez-vous que le courant est coupé. Ne laissez jamais une ampoule chaude entrer en contact avec l'eau. NE TOUCHEZ PAS l'ampoule d'éclairage lorsqu'elle est allumée. Elle pourrait être suffisamment chaude pour vous blesser.

LAMPE INFRAROUGE ET PANNEAU :

La lampe infrarouge et le kit de panneau en option peuvent être commandés séparément et installés dans votre hotte à évacuation. Modèles disponibles : IR30, IR36 et IR48.



AVERTISSEMENT

Pour éviter les risques de choc électrique, confiez l'installation de la lampe IR à un électricien qualifié et avant de commencer l'installation de la hotte.

POUR L'OBTENTION DE SERVICE

AVANT D'APPELER LE SERVICE TECHNIQUE

- Est-ce que le disjoncteur s'est déclenché ou que le fusible est grillé?
- Y a-t-il une coupure de courant dans le secteur?

Pour le service sous garantie, contactez votre distributeur ou le représentant du service à la clientèle DCS au (888) 281-5698. Avant d'appeler, veuillez avoir les informations suivantes à portée de main :

- Numéro de modèle
- Numéro de série
- Date d'installation
- Brève description du problème
- Preuve d'achat

Votre satisfaction revêt la plus grande importance pour nous. Si un problème n'est pas résolu à votre entière satisfaction, veuillez communiquer avec nous par téléphone, courrier ou courriel :

Écrivez-nous à l'adresse suivante :

Fisher & Paykel Appliances, Inc.

Attention: DCS Customer Care

5900 Skylab Road

Huntington Beach, CA 92647

Courriel : support@dcsappliances.com

GARANTIE

DURÉE DE LA GARANTIE

Un (1) an, pièces et main-d'œuvre sur tout le produit.

Garantie limitée de cinq (5) ans couvrant les interrupteurs et le moteur seulement.

DCS COUVRE LES FRAIS SUIVANTS

Frais de main-d'œuvre et de réparation de pièces jugées défectueuses pour cause de vice de matière ou de fabrication, et ce pendant une année complète avec garantie « À DOMICILE » pendant la première année d'achat. Cette garantie ne s'applique pas si l'appareil a été soumis à une utilisation autre qu'une utilisation domestique normale. Le service doit être fourni par un agent agréé de l'usine durant les heures ouvrables normales. Il n'y aura pas de frais facturés pour les réparations ou remplacements effectués sur le site de l'installation initiale ou en usine pour des pièces renvoyées port payé, par l'intermédiaire du distributeur, pendant la période de garantie, et jugées défectueuses par DCS.

Les remplacements sont effectués franco à bord DCS; DCS n'est pas responsable des frais de transport, de main-d'œuvre ou des tarifs douaniers s'appliquant à l'exportation. Cette garantie ne saurait s'appliquer, et nous n'assumons aucune responsabilité pour les dommages pouvant résulter du fait de ne pas avoir respecté les consignes du fabricant ou des codes en vigueur, ou d'avoir trafiqué ou altéré l'appareil de quelque façon, ou d'avoir, selon nous, soumis l'appareil à une mauvaise utilisation, à de la négligence ou à un accident. Tout garantie implicite ne pourra s'étendre au-delà de la durée de cette garantie écrite. Cette garantie remplace toutes les autres garanties, explicites ou implicites, ainsi que toutes les autres obligations ou responsabilités relatives à la vente de cet appareil.

DCS NE COUVRE PAS LES FRAIS SUIVANTS

- Installation ou démarrage.
- Dommages subis durant le transport.
- Service effectué par un centre non agréé.
- Dommages ou réparations causés par un service effectué par un centre non agréé ou par l'utilisation de pièces non autorisées.
- Service effectué en dehors des heures ouvrables normales.
- Mauvaise installation, telle qu'un branchement incorrect, etc.
- Visites de service pour vous apprendre comment utiliser l'appareil, corriger l'installation, réarmer les disjoncteurs ou remplacer les fusibles de la maison.
- Réparations dues à une utilisation autre qu'une utilisation domestique normale.
- Dommages causés par accident, abus, altération, mauvaise utilisation, installation incorrecte ou installation non conforme aux codes en vigueur.
- Appareils installés dans le cadre d'applications non résidentielles telles que garderies, auberges, lieux de culte, maisons de soin, restaurants, hôtels, écoles, etc.

Cette garantie s'applique aux appareils utilisés dans des applications résidentielles. Elle ne couvre pas les utilisations commerciales. Cette garantie couvre les produits achetés et utilisés dans les 50 états des États-Unis, le District de Columbia et au Canada. La garantie s'applique même si vous déménagez durant la période de garantie Si l'appareil est vendu par l'acheteur initial durant la période de garantie, le nouveau propriétaire continue de bénéficier de la protection jusqu'à la date d'expiration de la période de garantie de l'acheteur initial.

GARANTIE

Cette garantie remplace toute autre garantie, explicite ou implicite. En outre, toutes les garanties implicites, y compris les garanties de qualité marchande ou d'adaptation à un usage particulier, sont déclinées par la présente dans toute la limite permise par la loi. Dans la mesure où les garanties implicites ne peuvent être déclinées, la durée des garanties implicites, y compris les garanties implicites de qualité marchande ou d'adaptation à un usage particulier, est limitée à la durée de cette garantie expresse. Cette garantie vous donne des droits juridiques spécifiques. Il se peut que vous ayez d'autres droits pouvant varier d'une juridiction à l'autre.

NOTES



5900 Skylab Road, Huntington Beach, CA 92647
Tel: 714.372.7000 • Fax: 714.372.7001
Customer Care: 888.281.5698
www.dcsappliances.com

As product improvement is an ongoing process at DCS, we reserve the right to change specifications or design without notice.

DCS améliore constamment ses produits et se réserve le droit de modifier les spécifications ou la conception de ses produits sans aucun préavis.

P/N 17796 Rev. B
Litho in USA 11/2004

Free Manuals Download Website

<http://myh66.com>

<http://usermanuals.us>

<http://www.somanuals.com>

<http://www.4manuals.cc>

<http://www.manual-lib.com>

<http://www.404manual.com>

<http://www.luxmanual.com>

<http://aubethermostatmanual.com>

Golf course search by state

<http://golfingnear.com>

Email search by domain

<http://emailbydomain.com>

Auto manuals search

<http://auto.somanuals.com>

TV manuals search

<http://tv.somanuals.com>