



User's Manual

Network Management Card

Intelligent Network Management Card allows UPS to be managed, monitored, and configured via SNMP Card Configuration Tool

Version 1.3

TABLE OF CONTENTS

INTRODUCTION.....	1
INSTALLATION GUIDE.....	4
CONFIGURATION GUIDE.....	7
Monitoring.....	7
Current Status.....	7
UPS Information.....	8
Control.....	9
UPS Control.....	9
UPS Reboot.....	10
UPS Schedule.....	11
System.....	12
System Time.....	12
User Accounts.....	12
Identification.....	13
Network.....	13
TCP/IP.....	13
Access Control.....	13
Trap Notification.....	14
Events.....	15
Event Log.....	15
Event Generation.....	15
UPS Shutdown.....	16
Summary.....	17
Appendix 1. IP Address Settings of CyberPower Network Management Card.....	18

INTRODUCTION

Overview

The CyberPower Network Management Card is an external card that allows remote monitoring and control of a UPS on a network. After installing the hardware and configuring an IP address, the user can access, monitor and control the UPS from anywhere in the world! No software installation is needed. Simply use a web browser such as Internet Explorer or FireFox to access your UPS. Servers and workstations protected by the UPS can be installed with PowerPanel[®] Shutdown Service software to utilize the additional remote shutdown features of the Network Management Card.

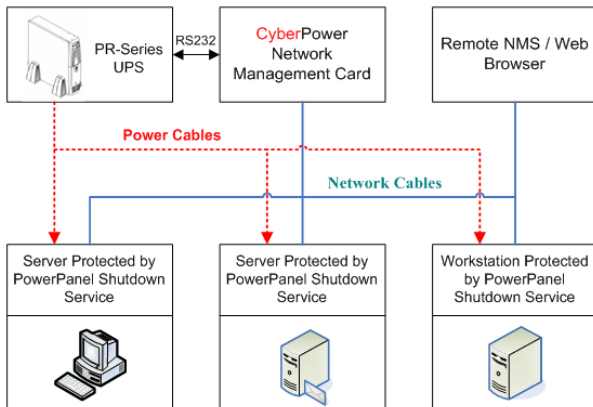
Features

- Remote management and configuration of UPS via Web Browsers or NMS
- Supports TCP/IP, UDP, SNMP, HTTP protocols
- Automatic events notification via SNMP Traps
- Flexible Event Action setting
- Auto-shutdown to protect servers and workstations from data loss due to power failure
- Schedule shutdown/startup/reboot of UPS remotely
- Event logging to trace UPS operation history
- SNMP MIB provided
- 10Mbps Ethernet compatible
- Quick installation and user friendly interface
- Security management provided

System Requirements

- A computer with a Windows Operating System (for optional PowerPanel[®] Shutdown Service)
- An Ethernet cable connection to an existing network
- NMS (Network Management Station) compliant with SNMP (for optional NMS management)
- A RS232 cable to connect the CyberPower Network Management Card with the UPS

Application:

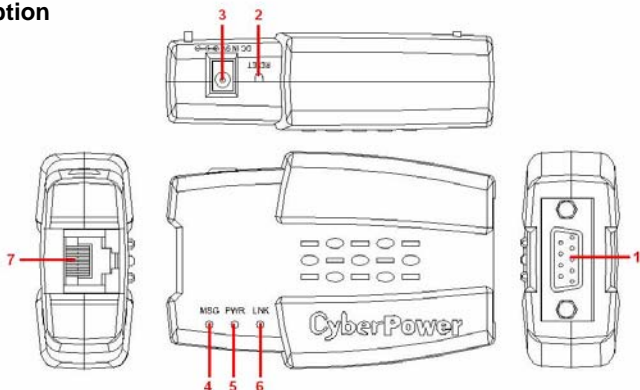


Unpacking

Inspect the Network Management Card upon receipt. The package should contain the following:

- CyberPower Network Management Card
- PowerPanel[®] Shutdown Service Software and user manuals CD
- AC adapter (For select UPS models only)

● **Description**



- 1) **Serial Port** provides a connection for communication between the UPS and the Network Management Card
- 2) **Reset Button** is used to reset the settings. When the Reset Button is pushed for 3 seconds, all settings except for the IP address for Network Management Card will refresh to default values. When the Reset Button is pushed for more than 3 seconds, all settings including the IP address for CyberPower Network Management Card will reset to default values.
- 3) **DC power input** allows input of power from the AC adapter(for select UPS models only) into wall socket. The DC power input is only used when the Network Management card is connected to select UPS models that don't supply power to the Network Management Card.
- 4) **MSG Indicator** indicates the status of connection between UPS and the Network Management Card. This indicator light will flash when Network Management Card IS NOT connected to the UPS.
- 5) **PWR Indicator** indicates the power is on or off. It illuminates when the Network Management Card is powered ON.
- 6) **LINK Indicator** indicates the status of network connection. It illuminates when the Network Management Card is connected to the network.
- 7) 10M **Ethernet connector**

Definitions for LED Indicators

Indicator	Mode	Condition
MSG (Red)	Off	The Network Management Card is connected to UPS
	Flashing	No connection between the Network Management Card and the UPS
PWR (Green)	Off	The Network Management Card Power Is Off
	On	The Network Management Card Power Is On
LINK (Yellow)	Off	The Network Management Card is disconnected to the Network
	On	The Network Management Card is connected to the Network

INSTALLATION GUIDE

Step 1. Hardware Installation

1. Connect the Ethernet cable to the LAN port of the CyberPower Network Management Card.
2. Connect the CyberPower Network Management Card to the UPS communication port. It is optional to use the serial cable included.
3. Connect the AC adapter (for select UPS models only) to the Network Management Card Adapter and plug into the wall socket..
4. After the above procedures are done, press and hold the Reset Button on the Network Management Card for 7 seconds to ensure the IP Address is at the default value.

Step 2. Configure the IP address for the CyberPower Network Management Card.

Method 1 : Use SNMP Card Configuration Tool Setting

1. Install the SNMP Card Configuration Tool from the included CD
2. Run the "wsnmpcfg" program in the "All Programs"->"SNMP Card Configuration Tool".
3. The main dialog of the "SNMP Card Configuration Tool" program is shown as Figure. 1. The configuration tool will display all the SNMP cards present on the network. The "Refresh" button is used to search the entire local network for SNMP cards.

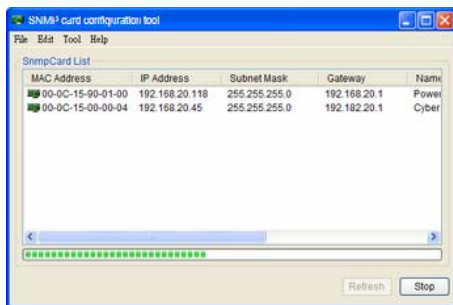


Figure 1. The main window of the "SNMP Card Configuration Tool" program.

4. Choose "Setup as selected" under the "Tool" menu or double click the SNMP card device.
5. You can modify the new IP, new subnet mask, and new gateway address through the IP or MAC address in the SNMP card setting window, as shown in figure 2.

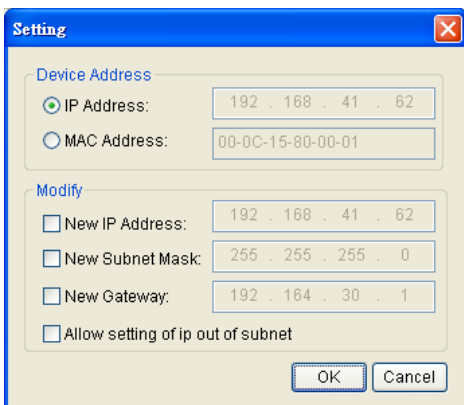


Figure 2. The SNMP card setting window.

6. First, choose either IP or MAC address from the device address option.
7. Then click on each checkbox to modify the IP, subnet mask or gateway address. Enter the new addresses into the corresponding fields.
8. You will need to input password for the SNMP card (Figure 3) in the authentication window, as shown in figure 3. *Default User name: cyber; Default Password: cyber



Figure 3. Authentication window.

9. If you set IP address successfully, you will receive the IP set up OK message, as shown in figure 4.

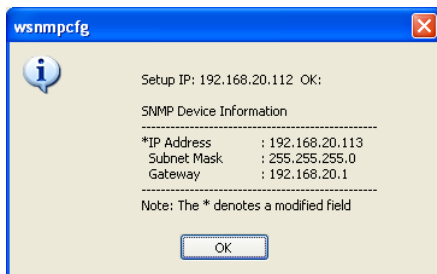


Figure 4. Setup IP Address successfully message.

Method 2 : Use DOS Mode Setting

1. Obtain the MAC address indicated on the label of the Network Management Card rear panel. (Each Management Card has a unique MAC address).
2. Use the ARP command to set you IP address. For example, to assign an IP address [192.168.20.240](#) in the same subnet as your computer for Network Management Card, which has the MAC address [00-0c-15-00-00-01](#), type:

```
arp -s 192.168.20.240 00-0c-15-00-00-01
```

and press **Enter**.

3. To verify the setting, please type:

```
ping 192.168.20.240
```

and press **Enter**. If replies are received, the IP address has been set.

To find an IP address for the Network Management Card, please refer to Appendix 2.

If you want to assign an IP address which is in different subnet to your computer for Network Management Card, you should followed Step 2, and then enter the Browser Mode Configuration to establish the IP address.

1. Open your Web Browser (Internet Explorer or Firefox)
2. Enter the IP Address which you previously configured.
3. On the login page, enter the default username "cyber" and password "cyber".
4. Click on TCP/IP Configuration on the Network menu to change the IP address. Click 'Apply' to save.



CONFIGURATION GUIDE

[Monitoring] menu contains [Current Status] page and [UPS Information] page

The screenshot shows the CyberPower Network Management System interface. The top header is purple with 'CyberPower' on the left and 'PR2200' on the right. Below the header is a black bar with the IP address '192.168.20.177' and a 'Logout' link. The left sidebar is blue and contains the following menu items: Monitoring (selected), Current Status, UPS Information, Control, System, Network, Events, and Summary. The main content area is white and titled 'Current Status'. It contains a table with the following data:

Current Status	
Input Line Voltage	110.0 V
Output Frequency	60.0 Hz
Maximum Line Voltage	111.0 V
Minimum Line Voltage	110.0 V
Output Voltage	110.0 V
UPS Load	0 %
Internal Temperature	33.0 °C
Battery Capacity	100 %
On Battery Time	00:00:00

[Current Status] displays basic information of UPS current status.

Status Field	Definition
Input Line Voltage	Shows the current input voltage of the utility power
Output Frequency	Displays the frequency of the utility power
Maximum Line Voltage	Identifies the highest voltage of the utility power input to the UPS during the previous minute of operation.
Minimum Line Voltage	Identifies the lowest voltage of the utility power input to the UPS during the previous minute of operation.
Output Voltage	Shows the output voltage of the UPS.
UPS Load	Shows the percent of battery capacity that is currently being used.
Internal Temperature	Displays the internal operating temperature of the UPS.
Battery Capacity	Displays the current battery charge level.
On Battery Time	Displays the battery time available. This display factors in the UPS load and the Battery Capacity.

[UPS Information] provides the technical specifications of your UPS.

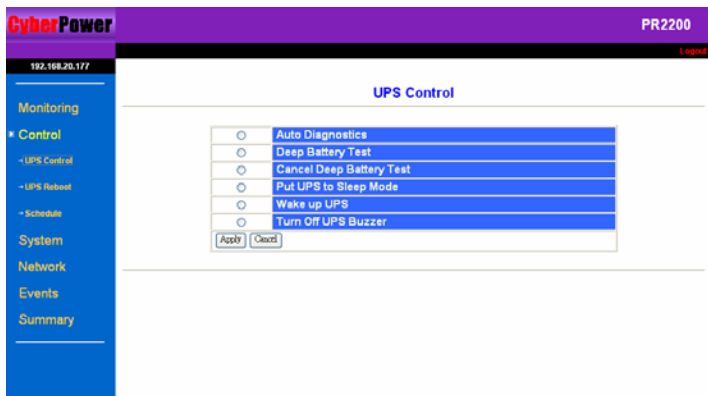
The screenshot shows the CyberPower Network Management System interface. The top header is purple with the CyberPower logo on the left and 'PR2200' on the right. Below the header is a black bar with the IP address '192.168.25.177' and a 'Logout' link. A blue sidebar on the left contains navigation options: Monitoring (with sub-options for Current Status and UPS Information), Control, System, Network, Events, and Summary. The main content area is titled 'UPS Information' and contains a table with the following data:

Model Name	PR2200
Voltage Rating	120.0 V
Working Frequency	60.000 Hz
Power Rating	2200 VA
Load Power	1500 Watt
Battery Voltage Rating	48.0 V
Firmware Version	1.100
Selftest Date	01/01/2006
Selftest Result	Passed

Information	Description
Model Name	Displays the UPS's model number
Voltage Rating	Identifies the current AC voltage to the UPS.
Working Frequency	Displays the current frequency of the UPS.
Power Rating	Displays the capacity of the UPS in VA.
Load Power	Identifies the capacity of the UPS in Watts.
Battery Voltage Rating	Displays the DC voltage of the battery.
Firmware Version	Shows the firmware version of the UPS.
Self-test Date	Displays the date of last self-tests
Self-test Result	Displays the latest self-test result.

Please Note: [Self-test Date] and [Self-test Result] will only display when a self-test has been set or performed.

[Control] menu contains [UPS Control] page, [UPS Reboot] page, and [UPS Schedule] page.



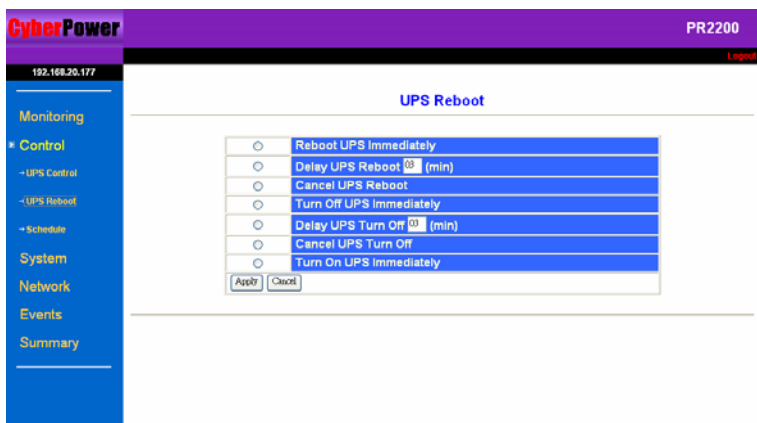
[UPS Control] allows basic remote control of the UPS.

Select one test by clicking the button on the left of the command. Click [Apply] to run the test. Click [Cancel] to stop any command that has been selected.

Please Note: If the UPS is shut OFF, the following commands will not work. The Network Management Card will display the message: "Command fails. UPS is turned off."

Commands	Definition
Auto Diagnostics	To diagnose that the UPS can function well under Battery mode.
Deep Battery Test	The Deep Battery test will discharge the batteries. The test will automatically stop when the batteries are low, and return to AC-On line power.
Cancel Deep Battery Test	This command will stop the Deep Battery Test.
Put UPS to Sleep Mode	To turn off the UPS (no power output from the outlets).
Wake up UPS	To turn on the UPS when it is in sleep mode.
Turn Off UPS Buzzer	To turn the audible alarm of the UPS on/off.

[UPS Reboot] allows advanced remote control of the UPS. Select one function by clicking its button. Click [Apply] to begin the operation. Select [Cancel] to refresh the selection.



Note: The commands in [UPS Reboot] menu may change by the settings in the [UPS Schedule] menu.

Commands	Definition
Reboot UPS Immediately	To turn the UPS off and then on again.
Delay 03 min(s) to Reboot UPS	3 minutes is a default value. The user may select any number between 1-99. The UPS will shut off and wait the set amount of time before turning back on.
Cancel Reboot UPS	To stop the previous command "Delay 03 min(s) to Reboot UPS.
Turn Off UPS Immediately	To turn the UPS off immediately.
Delay 03 min(s) to Turn Off UPS	3 minutes is a default value. The user may select any number between 1-99. The UPS will wait the set amount of time before turning OFF.
Cancel Turn Off UPS	To stop the previous command "Delay 03 min(s) to Turn Off UPS
Turn On UPS Immediately	To turn on UPS when it is turned off.

[UPS Schedule]: Sets the UPS to automatically shutdown and restart at consistent times - weekly or daily.

The screenshot shows the 'Schedule' page in the CyberPower Network Management System. The interface includes a navigation menu on the left with options like Monitoring, Control, UPS Control, UPS Release, Schedule, System, Network, Events, and Summary. The main content area displays a table of scheduled shutdowns.

Feature	Shutdown Time	Turn Back on	Status
1. Special	01/01/2007 at 00:59	Next Day at 00:59	Disable
2. Weekly	Every Sunday at 00:59	Next Day at 00:59	Enable
3. Daily	Every day at 00:59	Next Day at 00:59	Enable
4. Special	02/15/2008 at 16:46	Next Day at 16:46	Enable
5. Weekly	Every Thursday at 16:46	Next Day at 16:46	Enable

Below the table, there is a text box that says: "Add a new Special, Weekly or Daily scheduled shutdown." and a "Next Page" button.

[Special Shutdown]: The user may set a specific date and time for UPS shutdown.

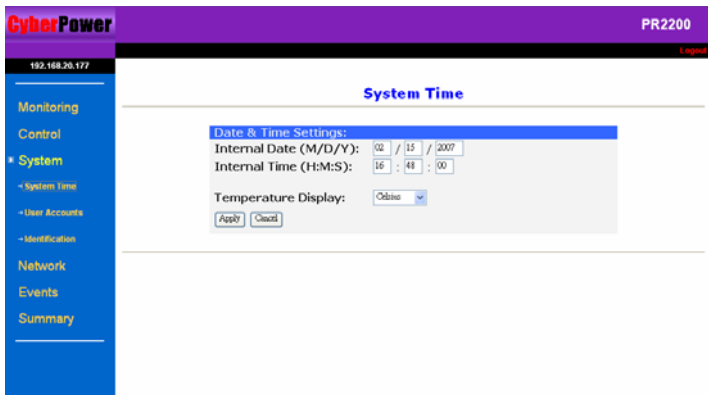
[Weekly]: Set a specific day and time of the week for UPS shutdown.

[Daily]: Set a specific time of the day for UPS shutdown.

1. Click [Special], [Daily] or [Weekly] scheduled shutdown features to enter each setup menu.
2. Enter the date and time to shut down the UPS. Please note that time is entered using 24Hr clock format (hh:mm).
3. Select [Never], [Immediately], [Same Day], [Next Day] for the UPS to recover power.
4. Click [Add] to add the item to the Schedule. Click [Cancel] to remove the item from the Schedule.
5. Applied settings are listed in [Schedule Log] menu.

Please Note: The management system allows only 10 scheduled settings.

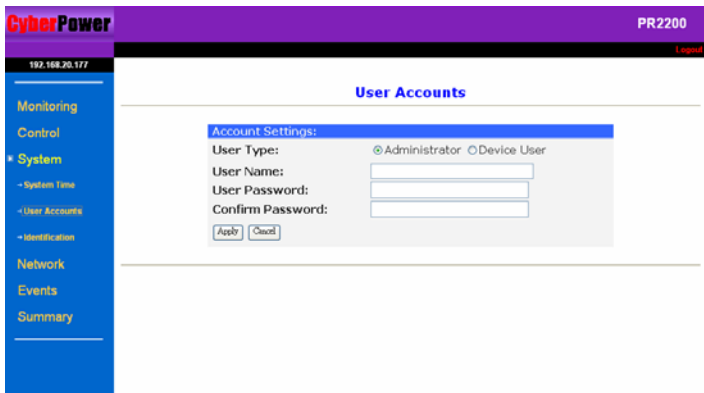
[System] menu contains, [System Time] page [User Accounts] page and [Identification] page.



[System Time] allows users to configure the internal time of the Network Management Card .

1. Enter the date and time and choose either Celsius or Fahrenheit for the temperature display.
2. Click [Apply] to activate the settings.

[User Accounts] sets up user accounts. The system allows one administrator and two device users to access the system. An administrator can access all of the management menus. A device user can only access [Monitoring], [Events], and [Summary]. Only one user at a time can enter into the web browser.



1. Select [Administrator] / [Device User] and enter the User Name and Password.
2. Click [Apply]. – Are steps 2 and 3 in the correct order?
3. Retype the password to confirm the password was keyed properly.

[Identification] assign the system's name, contact, and location of the system.

The screenshot shows the 'System Identification' configuration page. The interface includes a top header with the 'CyberPower' logo and the device ID 'PR2200'. A left sidebar menu lists various system functions, with 'System' currently selected. The main panel is titled 'System Identification' and features a section for 'Identification Settings'. This section contains three text input fields: 'Name' (pre-filled with 'CyberView'), 'Contact' (pre-filled with 'Administration'), and 'Location' (pre-filled with 'Server Room'). Below these fields are two buttons: 'Apply' and 'Cancel'.

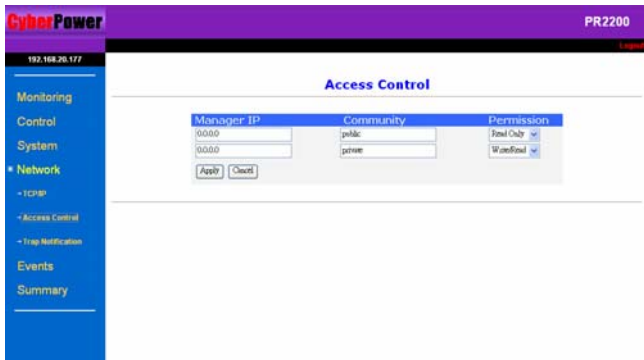
[Network] menu contains [TCP/IP] page, [Access Control] page and [Trap Notification] page.

The screenshot shows the 'TCP/IP Configuration' page. The sidebar menu has 'Network' selected. The main content area is titled 'TCP/IP Configuration' and contains 'TCP/IP Settings'. At the top, there are two radio buttons: 'Enable' (which is selected) and 'Disable'. Below this are four text input fields: 'System IP' (192.168.20.177), 'Subnet Mask' (255.255.255.0), 'Default Gateway' (192.168.20.1), and 'Web Port (80, 5000-65535):' (80). At the bottom of the settings area are 'Apply' and 'Cancel' buttons.

[TCP/IP] This option allows you to enable or disable DHCP and define the IP Address, Subnet Mask, Default Gateway and Web Port when DHCP is disabled.

Click [Apply] to activate the settings, click [Cancel] to revert to previous settings.

[Access Control] allows you to select the NMS defined by the IP settings that can use the channel. Control the system data access through SNMP.

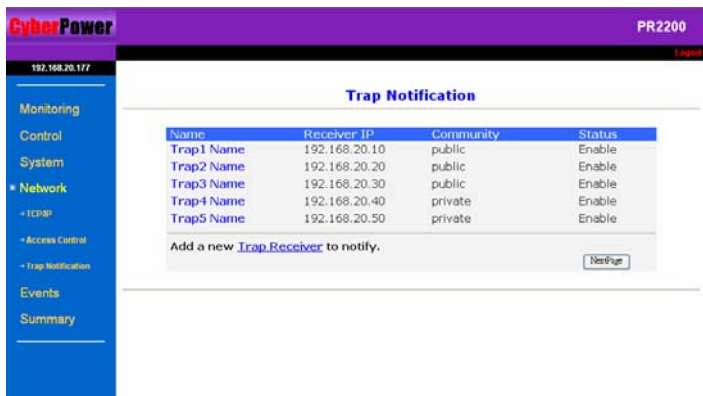


1. Input the manager IP address. This address will limit the access to the NMS. The default value 0.0.0.0 or 255.255.255.255 allows access for all NMS.
2. Input the community (functions as password, maximum of 15 characters).
3. Select one of the permission options: [Read], [Write], or [Disable].
4. Click [Apply] to activate the settings, click [Cancel] to revert to previous inputs.

Definitions for Permission levels:

Read	The NMS can read data at any time, but can never write data.
Write	The NMS can read and write data at any time (provided there is not another user logged in).
Disabled	The NMS cannot use 'Read' or 'Write'.

[Trap Notification]: Identify NMS that will receive traps.



1. Input the receivers IP address. This address will identify the receiver of traps. The default value 0.0.0.0 or 255.255.255.255 defines all NMS as receivers.
2. Input the community (functioned as password, maximum of 15 characters).
3. Select one option [Enable] or [Disable].
4. Click [Apply] to activate the settings, click [Cancel] to revert to the previous settings.

Enable	The trap will be generated.
Disable	The trap will not be generated.

[Events] displays an event log for the UPS. The section contains [Event Log] page [Event Generation] page and [UPS Shutdown] page.

The screenshot shows the CyberPower Network Management System interface. The top navigation bar is purple with the CyberPower logo on the left and 'PR2200' on the right. Below the navigation bar is a black bar with the IP address '192.168.20.177' and a 'Logout' link. A blue sidebar on the left contains a menu with options: Monitoring, Control, System, Network, Events (selected), -Event Log, -Event Generation, -UPS Shutdown, and Summary. The main content area is titled 'Event Log' and contains a table with the following data:

Date(M/D/Y)	Time(H:M:S)	Event Description
02/15/2007	17:06:51	UPS internal selftest passed.
02/15/2007	17:07:18	Power failure, UPS transferred to backup mode.
02/15/2007	17:07:31	Power restored, return from backup mode.
02/15/2007	17:10:36	Power failure, UPS transferred to backup mode.
02/15/2007	17:10:38	UPS battery is low, soon to be exhausted.
02/15/2007	17:10:40	The UPS has been turned off.

Below the table, there is a row for event #01 with a link to 'Delete the event log.'

[Event Log] displays the Network Management Card events by date and time. More than 200 events can be displayed.

Red : Severe

Brown : Warning

Black : Information

[Event Generation]: There are three severity levels, Information, Warning, and Severe. Please refer to their definitions below. The User can assign which severity levels will be recorded in the event log and which severity levels will cause SNMP traps to be sent.

The screenshot shows the CyberPower Network Management System interface. The top navigation bar is purple with the CyberPower logo on the left and 'PR2200' on the right. Below the navigation bar is a blue sidebar menu with options: Monitoring, Control, System, Network, Events (selected), -Event Log, -Event Generation, -UPS Shutdown, and Summary. The main content area is titled 'Event Generation' and contains a table with columns for Receiver, Information, Warning, and Severe. The table has two rows: 'Event Log' and 'SNMP Trap', both with checked boxes in the Information, Warning, and Severe columns. Below the table are 'Apply' and 'Cancel' buttons.

Receiver	Information	Warning	Severe
Event Log	<input checked="" type="checkbox"/>	<input checked="" type="checkbox"/>	<input checked="" type="checkbox"/>
SNMP Trap	<input checked="" type="checkbox"/>	<input checked="" type="checkbox"/>	<input checked="" type="checkbox"/>

Information indicates an event that requires no action.

Warning indicates an event that does not require immediate attention, but this condition should be monitored.

Severe indicates an event that requires immediate attention.

1. Determine the severity levels and click the option buttons.
2. Click [Apply] to activate the settings.

[UPS Shutdown]: Configures UPS shutdown and PC safe shutdown times.

1. Low-Battery Duration: Time from a Low-Battery signal until load is shutdown.
2. Maximum Shutdown Time: The maximum time the UPS will wait before it shuts down in response to a turnoff command.
3. Shutdown Delay: Time the UPS will wait before it shuts down in response to a turnoff command.

Note:

In order to have the PCs connected to the UPS so that they can be shut down safely, add the IP address of the PCs into Trap Notification. (Reference to Page14.) Install "Power Panel Shutdown Service" software, and then assign the IP addresses to "Network Management Card"

The screenshot shows the CyberPower Network Management System interface. The top navigation bar is purple with the CyberPower logo on the left and 'PR2200' on the right. Below the logo is the IP address '192.168.20.177' and a 'Logout' link. A blue sidebar on the left contains a menu with items: Monitoring, Control, System, Network, Events (with a sub-menu containing 'Event Log', 'Event Generation', and 'UPS Shutdown'), and Summary. The main content area is white and titled 'UPS Shutdown'. It features a blue header for 'UPS Shutdown Time Settings' and a form with the following fields: 'Low Battery Duration Time: 00 min(s)', 'Maximum Shutdown Time: 02 min(s) Negotiation Now', and 'Shutdown Delay Time: 00 min(s)'. There are 'Apply' and 'Cancel' buttons at the bottom of the form.

[Summary] Displays the current UPS and CyberPower Network Management Card Status.

The screenshot shows the CyberPower Network Management System interface. The top navigation bar is purple with the CyberPower logo on the left and 'PR2200' on the right. Below the logo is the IP address '192.168.20.177' and a 'Logout' link. A blue sidebar on the left contains a menu with items: Monitoring, Control, System, Network, Events, and Summary. The main content area is white and titled 'Summary'. It features a blue header for 'UPS Status:' and the text 'UPS on line, no alarms present.' Below this is another blue header for 'System Status:' followed by a table of system information:

Date: 02/15/2007, Thursday	Time: 16:38:57
Name: Cyber Viewer	User: Administrator
Contact: Administrator	Location: Server Room
UpTime: 0 Day 2 Hours 29 Minutes	Status: OK
MAC: 00-0C-15-80-34-56	Version: 2.300

Appendix 1 IP Address Settings of CyberPower Network Management Card

Overview

All devices on a computer network need to have an IP address. Each device's IP address is unique. The same address cannot be used twice. In order to assign an IP address to the CyberPower Network Management Card, first, you must determine the range of the available IP addresses, and then choose an unused IP address to assign to the Network Management Card.

PLEASE NOTE: You may need to contact your network administrator to obtain an available IP address.

Procedures to find an IP address:

1. Locate the subnet of CyberPower Network Management Card.

One way to determine the range of possible IP addresses is to view the network configuration on a workstation. Click on [Start] and select [Run]. Type "command" into the open box and click [OK]. At the DOS Mode Prompt type "**ipconfig /all**" and press [Enter]. The computer will display network information as below:

```

Ethernet adapter
Connection-specific DNS Suffix.....: xxx.com
Description.....: D-Link DE220 ISA PnP LAN adapter
Physical Address.....: 00-80-C8-DA-7A-C0
DHCP Enabled.....: Yes
Autoconfiguration Enabled ....: Yes
IP Address.....: 192.168.20.102
Subnet Mask.....: 255.255.255.0
Default Gateway.....: 192.168.20.1
DHCP Server.....: 192.168.20.1
DNS Servers.....: 211.20.71.202
                    168.95.1.1
  
```

2. Select an IP Address for CyberPower Network Management Card

Verify the IP Addresses for the computer and the Network Management Card belong to the same subnet. Refer to the above network information, the possible IP Address for the Network Management Card could be 192.168.20.* (* hereafter represents any number between 1 and 255). Similarly, if the Subnet Mask is 255.255.0.0, the IP Address for Network Management Card could be set up as 192.168.*.* to reach the same subnet with the computer.

To verify there is no other equipment connected to the network using the same IP Address, run "Ping 192.168.20.240" at the DOS Mode prompt when the IP Address you would like to set is 192.168.20.240. If the response is presented as below, the IP address is most likely not used and available for the CyberPower Network Management Card.

Pinging 192.168.20.240 with 32 bytes of data:

```

Request timed out.
Request timed out.
Request timed out.
Request timed out.
  
```

If the response is shown as below, the IP address is in use. Try another IP address until an available address is found.

```
Pinging 192.168.20.240 with 32 bytes of data:  
Reply from 192.168.20.240: bytes=32 time<10ms TTL=64  
Reply from 192.168.20.240: bytes=32 time<10ms TTL=64  
Reply from 192.168.20.240: bytes=32 time<10ms TTL=64  
Reply from 192.168.20.240: bytes=32 time<10ms TTL=64
```

Free Manuals Download Website

<http://myh66.com>

<http://usermanuals.us>

<http://www.somanuals.com>

<http://www.4manuals.cc>

<http://www.manual-lib.com>

<http://www.404manual.com>

<http://www.luxmanual.com>

<http://aubethermostatmanual.com>

Golf course search by state

<http://golfingnear.com>

Email search by domain

<http://emailbydomain.com>

Auto manuals search

<http://auto.somanuals.com>

TV manuals search

<http://tv.somanuals.com>