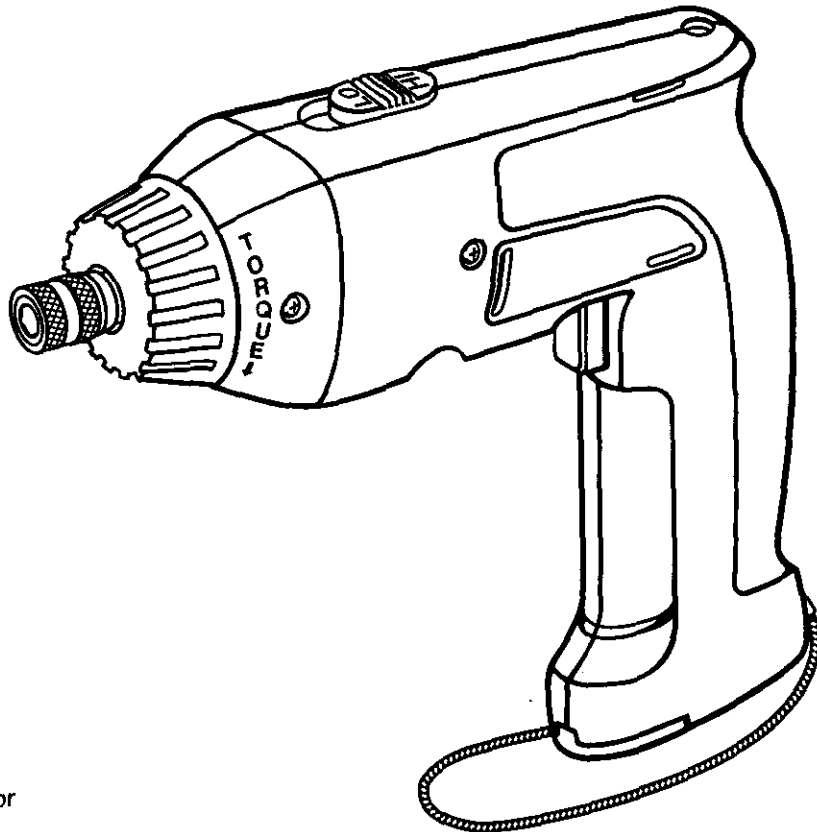


# Owner's Manual

# CRAFTSMAN®

## CORDLESS SCREWDRIVER Two Speed / Reversible

Model No.  
315.111640



Save this manual for  
future reference

**CAUTION:** Read and  
follow all Safety Rules and  
Operating Instructions before  
first use of this product.

Customer Help Line: 1-800-932-3188

Sears, Roebuck and Co., Hoffman Estates, IL 60179 USA  
Visit the Craftsman web page: [www.sears.com/craftsman](http://www.sears.com/craftsman)

972000-597  
3-99

- Safety
- Features
- Operation
- Maintenance
- Parts List



## TABLE OF CONTENTS

|   |     |
|---|-----|
| ■ Table Of Contents .....                           | 2   |
| ■ Warranty .....                                    | 2   |
| ■ Introduction and Product Specifications .....     | 2   |
| ■ Rules For Safe Operation .....                    | 3-5 |
| A. Important Safety Rules For Battery Tools .....   | 4   |
| B. Important Safety Instructions For Charger .....  | 4-5 |
| ■ Accessories .....                                 | 6   |
| ■ Features .....                                    | 6   |
| ■ Operation .....                                   | 7-9 |
| ■ Maintenance .....                                 | 10  |
| ■ Battery Removal .....                             | 11  |
| A. Battery Removal, Preparation For Recycling ..... | 11  |
| ■ Replacement Parts .....                           | 11  |
| ■ Parts Ordering / Service .....                    | 12  |

**⚠** Look for this symbol to point out important safety precautions. It means attention!!! Your safety is involved.

## WARRANTY

### FULL ONE YEAR WARRANTY ON CRAFTSMAN CORDLESS SCREWDRIVER

If this **CRAFTSMAN** Cordless Screwdriver fails to give complete satisfaction within one year from the date of purchase, **RETURN IT TO THE NEAREST SEARS STORE IN THE UNITED STATES**, and Sears will replace it, free of charge.

If this **CRAFTSMAN** Cordless Screwdriver is used for commercial or rental purposes, this warranty applies for only 90 days from the date of purchase.

This warranty gives you specific legal rights, and you may also have other rights which vary from state to state.

**Sears, Roebuck and Co., Dept. 817 WA, Hoffman Estates, IL 60179**

## INTRODUCTION

Your screwdriver has many features for making driving operations more pleasant and enjoyable. Safety, performance and dependability have been given top priority in the design of this screwdriver making it easy to maintain and operate.

**⚠ CAUTION:** Carefully read through this entire owner's manual before using your new screwdriver. Pay close attention to the Rules For Safe Operation, Warnings and Cautions. If you use your screwdriver properly and only for what it is intended, you will enjoy years of safe, reliable service.

### SPECIFICATIONS:

|                |                           |
|----------------|---------------------------|
| Collet         | 1/4 in.                   |
| Motor          | 4.8 Volt DC               |
| Charger Rating | 120 Volts, 60 Hz, AC Only |
| No Load Speed  | 125 / 450 RPM             |
| Switch         | Two Speed - Reversible    |
| Charge Rate    | 3-5 Hours                 |
| Maximum Torque | 85 / 30 in. Lbs.          |

## RULES FOR SAFE OPERATION

The purpose of safety symbols is to attract your attention to possible dangers. The safety symbols, and the explanations with them, deserve your careful attention and understanding. The safety warnings do not by themselves eliminate any danger. The instructions or warnings they give are not substitutes for proper accident prevention measures.

### SYMBOL MEANING



#### **SAFETY ALERT SYMBOL:**

Indicates warning or caution. May be used in conjunction with other symbols or pictographs.



**WARNING:** Failure to obey a safety warning can result in serious injury to yourself or to others. Always follow the safety precautions to reduce the risk of fire, electric shock and personal injury.



**CAUTION:** Failure to obey a safety warning may result in property damage or personal injury to yourself or to others. Always follow the safety precautions to reduce the risk of fire, electric shock and personal injury.

**NOTE:** Advises you of information or instructions vital to the operation or maintenance of the equipment.



**WARNING:** Do not attempt to operate this tool until you have read thoroughly and understand completely all instructions, safety rules, etc. contained in this manual. Failure to comply can result in accidents involving fire, electric shock, or serious personal injury. Save owner's manual and review frequently for continuing safe operation, and instructing others who may use this tool.

### READ ALL INSTRUCTIONS

- **KNOW YOUR POWER TOOL.** Read owner's manual carefully. Learn its applications and limitations as well as the specific potential hazards related to this tool.
- **GUARD AGAINST ELECTRICAL SHOCK** by preventing body contact with grounded surfaces. For example: Pipes, radiators, ranges, refrigerator enclosures.
- **KEEP WORK AREA CLEAN.** Cluttered areas and benches invite accidents.
- **AVOID DANGEROUS ENVIRONMENT.** Don't use power tool in damp or wet locations or expose to rain. Keep work area well lit.
- **KEEP CHILDREN AND VISITORS AWAY.** All visitors should wear safety glasses and be kept a safe distance from work area. Do not let visitors contact tool or extension cord.
- **STORE IDLE TOOLS.** When not in use tools should be stored in a dry and high or locked-up place - out of the reach of children.
- **DON'T FORCE TOOL.** It will do the job better and safer at the rate for which it was designed.
- **USE RIGHT TOOL.** Don't force small tool or attachment to do the job of a heavy duty tool. Don't use tool for purpose not intended - for example - A circular saw should never be used for cutting tree limbs or logs.
- **WEAR PROPER APPAREL.** Do not wear loose clothing or jewelry that can get caught in tool's moving parts and cause personal injury. Rubber gloves and nonskid footwear are recommended when working outdoors. Wear protective hair covering to contain long hair and keep it from being drawn into nearby air vents.
- **ALWAYS WEAR SAFETY GLASSES.** Everyday eyeglasses have only impact-resistant lenses; they are **NOT** safety glasses.
- **PROTECT YOUR LUNGS.** Wear a face mask or dust mask if operation is dusty.
- **PROTECT YOUR HEARING.** Wear hearing protection during extended periods of operation.
- **SECURE WORK.** Use clamps or a vise to hold work. It's safer than using your hand and it frees both hands to operate tool.
- **DON'T OVERREACH.** Keep proper footing and balance at all times. Do not use on a ladder or unstable support.
- **MAINTAIN TOOLS WITH CARE.** Keep tools sharp at all times, and clean for best and safest performance. Follow instructions for lubricating and changing accessories.
- **REMOVE ADJUSTING KEYS AND WRENCHES.** Form habit of checking to see that keys and adjusting wrenches are removed from tool before turning it on.

## RULES FOR SAFE OPERATION (Continued)

- **NEVER USE IN AN EXPLOSIVE ATMOSPHERE.** Normal sparking of the motor could ignite flammable liquids, gases, or fumes.
- **KEEP HANDLES DRY, CLEAN, AND FREE FROM OIL AND GREASE.** Always use a clean cloth when cleaning. Never use brake fluids, gasoline, petroleum-based products or any strong solvents to clean your tool.
- **STAY ALERT.** Watch what you are doing and use common sense. Do not operate tool when you are tired. Do not rush.
- **CHECK DAMAGED PARTS.** Before further use of the tool, a guard or other part that is damaged should be carefully checked to determine that it will operate properly and perform its intended function. Check for alignment of moving parts, binding of moving parts, breakage of parts, mounting, and any other conditions that may affect its operation. A guard or other part that is damaged should be properly repaired or replaced by an authorized service center unless indicated elsewhere in this instruction manual.
- **DO NOT USE TOOL IF SWITCH DOES NOT TURN IT ON AND OFF.** Have defective switches replaced by an authorized service center.
- **DRUGS, ALCOHOL, MEDICATION.** Do not operate tool while under the influence of drugs, alcohol, or any medication.
- **DRIVING SCREWS INTO ELECTRICAL WIRING IN WALLS, CEILINGS, OR OTHER AREAS CAN CAUSE THE SCREWDRIVER BIT OR COLLET TO BECOME ELECTRICALLY LIVE.** Do not touch metal parts when driving screws into a wall; grasp only the insulated handle(s) or plastic housing when using this tool. Make sure hidden electrical wiring, water pipes, and mechanical hazards are not in the path of the bit when driving screws into a wall.
- **INSPECT FOR** and remove all nails from lumber before driving screws.

## IMPORTANT SAFETY RULES FOR BATTERY TOOLS

- Battery tools do not have to be plugged into an electrical outlet; therefore, they are always in operating condition. Be aware of possible hazards when not using your battery tool or when changing accessories.
- **USE ONLY THE CHARGER PROVIDED WITH YOUR BATTERY TOOL.** Do not substitute any other charger. Use of another charger could cause batteries to explode causing possible serious injury.

- **DO NOT PLACE BATTERY TOOLS OR THEIR BATTERIES NEAR FIRE OR HEAT.** They may explode.
- **DO NOT CHARGE BATTERY TOOL IN A DAMP OR WET LOCATION.**
- Your battery tool should be charged in a location where the temperature is more than 50°F but less than 100°F.
- Under extreme usage or temperature conditions, battery leakage may occur. If liquid comes in contact with your skin, wash immediately with soap and water, then neutralize with lemon juice or vinegar. If liquid gets in your eyes, flush them with clean water for at least 10 minutes, then seek immediate medical attention.
- If carrying your battery tool at your side, make sure it is not running and your finger is not on the switch. Avoid accidental starting.
- **SECURE WORK** before applying power. **NEVER** hold workpiece in your hand or across your legs.
- **WHEN SERVICING USE ONLY IDENTICAL CRAFTSMAN REPLACEMENT PARTS.**

## IMPORTANT SAFETY INSTRUCTIONS FOR CHARGER

- **SAVE THESE INSTRUCTIONS.** This manual contains important safety and operating instructions for battery charger item number 9-11081.
- Before using battery charger, read all instructions and cautionary markings in this manual, on battery charger, and product using battery charger.
- ▲ **WARNING:** To reduce risk of injury, charge only nickel-cadmium type rechargeable batteries. Other types of batteries may burst causing personal injury and damage.
- Do not expose charger to rain or snow.
- Use of an attachment not recommended or sold by the battery charger manufacturer may result in a risk of fire, electric shock, or injury to persons.
- To reduce risk of damage to charger body and cord, pull by charger body rather than cord when disconnecting charger.
- Make sure cord is located so that it will not be stepped on, tripped over, or otherwise subjected to damage or stress.

## RULES FOR SAFE OPERATION (Continued)

- An extension cord should not be used unless absolutely necessary. Use of improper extension cord could result in a risk of fire and electric shock. If extension cord must be used, make sure:
  - a. That pins on plug of extension cord are the same number, size and shape as those of plug on charger.
  - b. That extension cord is properly wired and in good electrical condition; and
  - c. That wire size is large enough for AC ampere rating of charger as specified below:

|                    |        |        |         |         |
|--------------------|--------|--------|---------|---------|
| Cord Length (Feet) | 25 ft. | 50 ft. | 100 ft. | 150 ft. |
| Cord Size (AWG)    | 16     | 16     | 16      | 14      |

Note: AWG = American Wire Gage
- Do not operate charger if it has received a sharp blow, been dropped, or otherwise damaged in any way; take it to a qualified serviceman.
- Do not disassemble charger; take it to a qualified serviceman when service or repair is required. Incorrect reassembly may result in a risk of electric shock or fire.
- To reduce risk of electric shock, unplug charger from outlet before attempting any maintenance or cleaning. Turning off controls will not reduce this risk.
- Do not use charger outdoors.
- Disconnect charger from power supply when not in use.
- **SAVE THESE INSTRUCTIONS.** Refer to them frequently and use them to instruct others who may use this tool. If you loan someone this tool, loan them these instructions also.
- **DO NOT OPERATE CHARGER WITH A DAMAGED CORD OR PLUG.** If damaged, have replaced immediately by a qualified serviceman.

---

## IMPORTANT INFORMATION FOR RECHARGING BATTERIES

When using your screwdriver continuously, the batteries in your screwdriver will become hot. You should let your screwdriver cool down for approximately 30 minutes before attempting to recharge.

**Note:** This situation only occurs when continuous use of your screwdriver causes the batteries to become hot. It does not occur under normal circumstances. Refer to "**CHARGING YOUR SCREWDRIVER**" for normal recharging of batteries. If the charger does not charge your screwdriver under normal circumstances, return **both** the screwdriver and charger to your nearest Sears repair center for electrical check.

### **WARNING:**



The operation of any power tool can result in foreign objects being thrown into your eyes, which can result in severe eye damage. Before beginning power tool operation, always wear safety goggles or safety glasses with side shields and a full face shield when needed. We recommend Wide Vision Safety Mask for use over eyeglasses or standard safety glasses with side shields, available at Sears Retail Stores.

## ACCESSORIES

The following recommended accessories are currently available at Sears Retail Stores.

- 5-Pc. Hex Shank Drill Bit Set
- 6-Pc. Extra Length Screwdriver Bit Set
- Speed Lock 1/4 in. Hex Accessories

**⚠ WARNING:** The use of attachments or accessories not listed might be hazardous.

## FEATURES

### KNOW YOUR SCREWDRIVER

See Figure 1.

Before attempting to use any tool familiarize yourself with all operating features and safety requirements.

### WRIST STRAP

See Figure 1.

A wrist strap is provided to reduce the chances of dropping your screwdriver. Place one hand through the wrist strap when carrying tool.

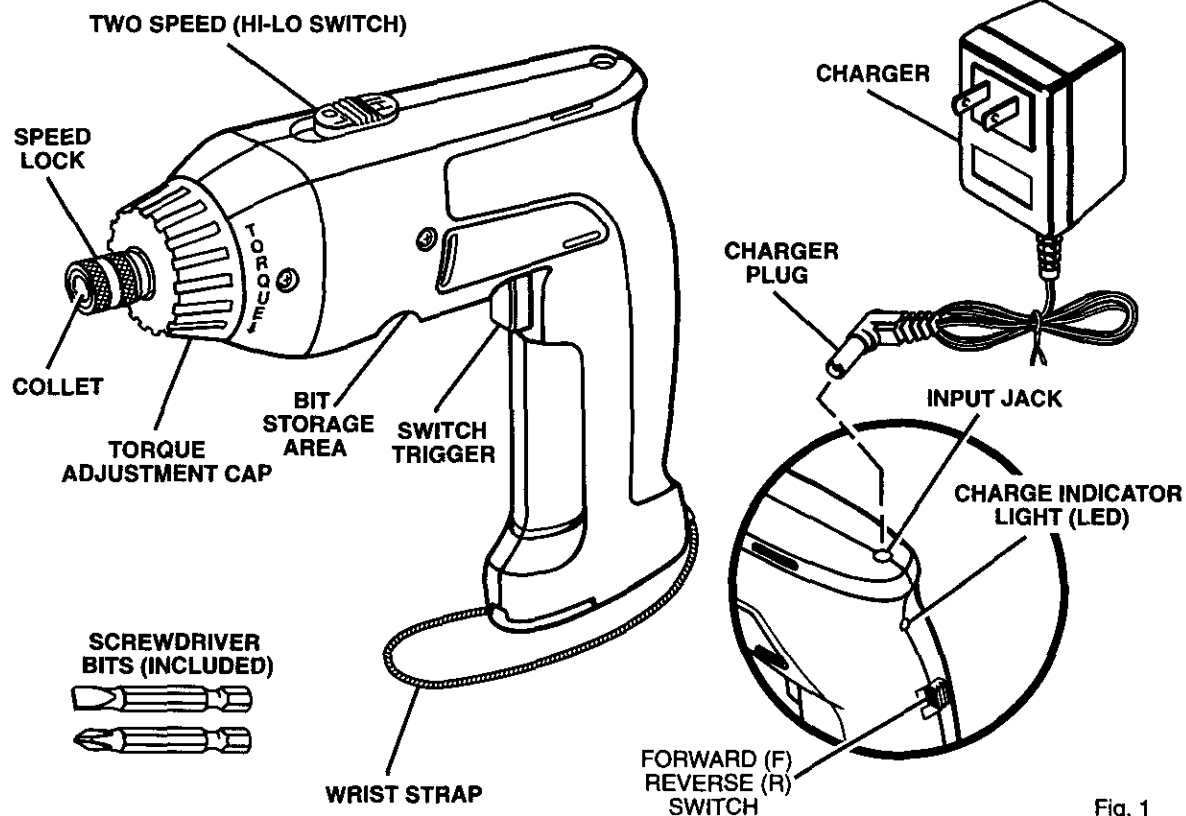


Fig. 1

**⚠ WARNING:** If any parts are missing, do not operate tool until the missing parts are replaced. Failure to do so could result in possible serious personal injury.

## OPERATION

**⚠ WARNING:** Always wear safety goggles or safety glasses with side shields when operating tools. Failure to do so could result in objects being thrown into your eyes, resulting in possible serious injury.

**⚠ WARNING:** Do not allow familiarity with your screwdriver to make you careless. Remember that a careless fraction of a second is sufficient to inflict severe injury.

### CHARGING YOUR SCREWDRIVER

This tool has been shipped in a low charge condition to prevent possible problems. Therefore, you should charge it at least 3 hours prior to use.

**Note:** Batteries will not reach full charge the first time they are charged. Allow several cycles (driving screws followed by recharging) for them to become fully charged.

### TO CHARGE

- Charge screwdriver only with the charger provided.
- **Make sure power supply is normal house voltage, 120 volts, 60 Hz, AC only.**

- Connect charger to screwdriver by inserting charger plug into input jack. As shown in figure 1, input jack is located on the top of your screwdriver.
- Make sure charger plug and input jack are properly connected.
- Connect charger to power supply.
- The charge indicator light (**LED**) indicator, which is located on the back of the screwdriver, will light up when charger is properly connected to power supply. This red light indicates your screwdriver is charging and will remain on until charger is disconnected from power supply.
- After normal usage, a minimum of 3 hours of charging time is required to be fully charged.
- **Do not** operate the tool while it is connected to the charger. The driving ability will not increase.
- **Do not** place charger in an area of extreme heat or cold. It will work best at normal room temperature.

**⚠ CAUTION:** Your screwdriver contains special high temperature batteries to help prevent battery damage when left on charge for extended periods of time. However, once the batteries become fully charged, we recommend that you unplug the charger from power supply and disconnect it from the screwdriver.

## OPERATION

### SWITCH

See Figure 2.

To turn your screwdriver **ON**, depress switch trigger in the direction of the arrow in figure 2. To turn it **OFF**, release the switch trigger.

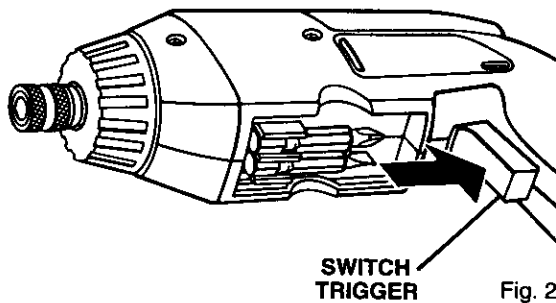


Fig. 2

### TWO SPEED SWITCH

See Figure 3.

Your screwdriver has been designed for two speed driving. A slide switch is located on top of your screwdriver to select either **HI** or **LO** speed. When using screwdriver in the **HI** speed setting, speed will increase and unit will have less power and torque. When using screwdriver in the **LO** speed setting, speed will decrease and unit will have more power and torque. Use **HI** speed for fast screwdriving applications and **LO** speed for high power and torque applications.

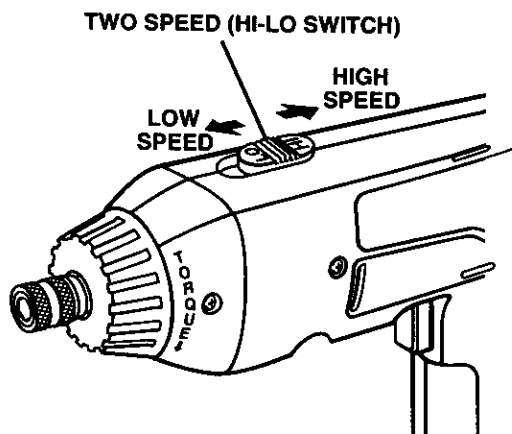


Fig. 3

### SWITCH LOCK

See Figure 4.

The switch trigger can be locked in the **OFF** position. This feature can be used to prevent the possibility of accidental starting when not in use. To lock switch trigger, place the forward/reverse switch in center position.

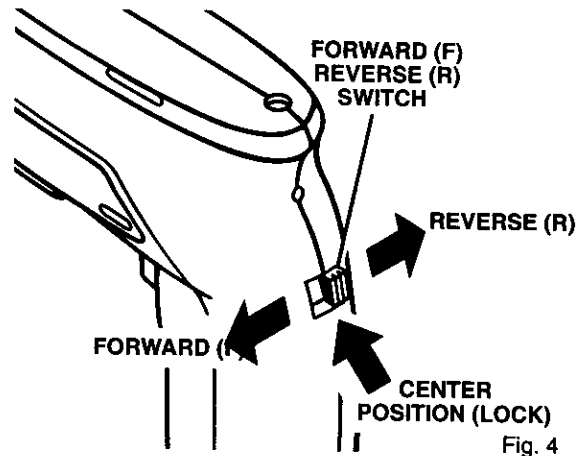


Fig. 4

**WARNING:** Battery tools are always in operating condition. Therefore, switch should always be locked when not in use or carrying at your side.

### REVERSIBLE

See Figure 4.

Your screwdriver is equipped with a Forward/Reverse Switch which allows you to change the direction of rotation of the bit. For driving or forward rotation, slide the switch to the forward (**F**) position. To reverse the bit direction, slide the switch to the reverse (**R**) position.

**CAUTION:** To prevent gear damage, always allow bit to come to a complete stop before changing the direction of bit rotation.

To stop your screwdriver, release switch trigger and allow your screwdriver to come to a complete stop.

**WARNING:** Always wear safety goggles or safety glasses with side shields when operating tools. Failure to do so could result in objects being thrown into your eyes, resulting in possible serious injury.

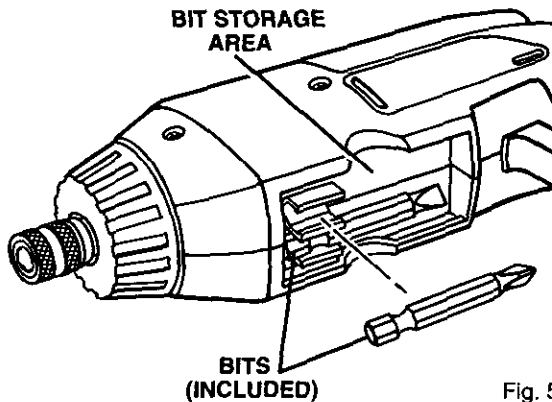


## OPERATION

### BIT STORAGE

See Figure 5.

Your screwdriver has a bit storage located under the motor. It is convenient for storing bits when not in use. Two bits are included with your screwdriver.



### SPEED LOCK COLLET

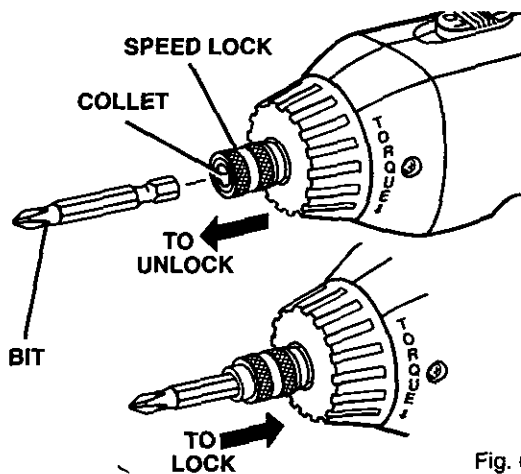
A convenient feature on your screwdriver is the speed lock collet. This feature locks the bit in the collet preventing it from falling out.

**Note:** The collet has been designed to accept 1/4 in. hex drill bits and 1/4 in. hex power drive screwdriver bits. See Figure 6.

### TO INSTALL BIT

See Figure 6.

- Lock switch trigger by placing the forward/reverse switch in center position. See Figure 4.
- **Unlock speed lock.** To unlock: grasp center of speed lock and pull in the direction of the arrow as shown in the top view of figure 6.
- Insert bit into collet as far as possible.



- **Lock speed lock.** To lock: grasp center of speed lock and pull in the direction of the arrow as shown in the lower view of figure 6.
- When finished using your screwdriver, unlock speed lock, remove bit from collet and place it in bit storage. See Figure 5.

### ADJUSTABLE TORQUE CLUTCH (Tightening Power of Your Screwdriver)

See Figure 7.

When using your screwdriver for various driving applications, it becomes necessary to increase or decrease the power and torque in order to help prevent the possibility of damaging screwheads, threads, workpiece, etc. In general, power and torque should correspond to the difficulty of the screw to be driven. If torque is too high the screws may be damaged or broken.

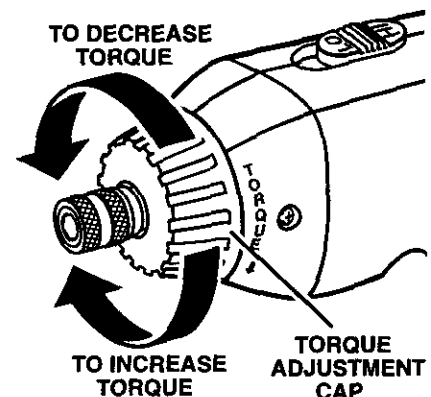
**Note:** Your screwdriver has been shipped with the adjustable torque clutch set at the lowest torque setting.

### TO ADJUST TORQUE

See Figure 7.

- Locate arrow on torque adjustment cap.
- To increase torque, rotate torque adjustment cap in the direction of the arrow. When cap stops rotating, you have reached the highest torque setting. To decrease torque, rotate torque adjustment cap in the opposite direction of the arrow. When cap stops rotating, you have reached the lowest torque setting.

**Note:** Remember the two speed feature (HI-LO) when setting torque. The amount of torque will vary depending on which speed setting you have your screwdriver. Switching to LO speed will increase torque and switching to HI speed will decrease torque.



## MAINTENANCE

**⚠ WARNING:** When servicing, use only identical Craftsman replacement parts. Use of any other part may create a hazard or cause product damage.

Avoid using solvents when cleaning plastic parts. Most plastics are susceptible to damage from various types of commercial solvents and may be damaged by their use. Use clean cloths to remove dirt, dust, oil, grease, etc.

**⚠ WARNING:** Do not at any time let brake fluids, gasoline, petroleum-based products, penetrating oils, etc. come in contact with plastic parts. They contain chemicals that can damage, weaken or destroy plastic.

**Do not abuse power tools.** Abusive practices can damage tool as well as workpiece.

Only the parts shown on parts list, page 11, are intended to be repaired or replaced by the customer. All other parts should be replaced by a qualified service technician at an authorized service facility.

Avoid using solvents when cleaning plastic parts. Most plastics are susceptible to damage from various types of commercial solvents and may be damaged by their use. Use clean cloths to remove dirt, dust, oil, grease, etc.

**⚠ WARNING:** Do not attempt to modify this tool or create accessories not recommended for use with this tool. Any such alteration or modification is misuse and could result in a hazardous condition leading to possible serious personal injury.

---

## BATTERIES

Your screwdriver is equipped with 4 nickel-cadmium rechargeable batteries. Length of service from each charging will depend on the type of work you are doing.

The batteries in this tool have been designed to provide maximum trouble free life. However, like all batteries, they will eventually wear out. To remove batteries, see page 11, Battery Removal. Handling of these batteries, especially when wearing rings and jewelry, could result in a serious burn.

To obtain the longest possible battery life, we suggest the following:

- Store and charge your batteries in a cool area. Temperatures above normal room temperature will shorten battery life.
- Never store batteries in a discharged condition. Recharge them immediately after they are discharged.
- All batteries gradually lose their charge. The higher the temperature, the quicker they lose their charge. If you store your tool for long periods of time without using it, recharge the batteries every month or two. This practice will prolong battery life.

## BATTERY REMOVAL



To preserve natural resources, please recycle or dispose of properly.

This product contains nickel-cadmium batteries. Local, state or federal laws may prohibit disposal of nickel-cadmium batteries in ordinary trash. Consult your local waste authority for information regarding available recycling and/or disposal options.

### BATTERY REMOVAL, PREPARATION FOR RECYCLING

See Figure 8.

#### TO REMOVE:

- Lock switch trigger by placing the forward/reverse switch in center position. See Figure 4.
- Remove cover securing batteries by depressing and pushing cover in the direction of the arrow as shown in figure 8.
- Slide batteries from motor housing enough to expose leads and battery terminals. Disconnect leads from battery terminals.

**Note:** Be careful not to break battery terminals when disconnecting leads.

- ⚠ WARNING:** Upon removal, cover the battery's terminals with heavy duty adhesive tape. Do not attempt to destroy or disassemble battery or remove any of its components. Nickel-cadmium batteries must be recycled or disposed of properly. Also, never touch both terminals with metal objects and/or body parts as short circuit may result. Keep away from children. Failure to comply with these warnings could result in fire and/or serious injury.

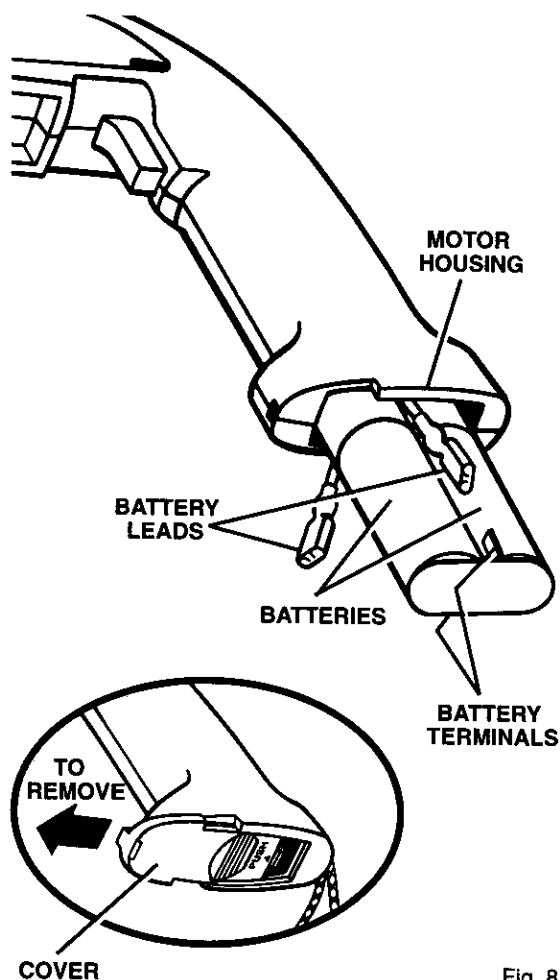
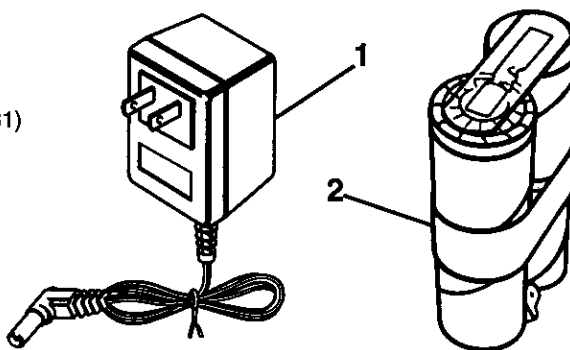


Fig. 8

## REPLACEMENT PARTS

### WHEN SERVICING, USE ONLY IDENTICAL CRAFTSMAN REPLACEMENT PARTS

| Key No. | Part Number | Description                        |
|---------|-------------|------------------------------------|
| 1       | *           | Battery Charger (Item No. 9-11081) |
| 2       | 974048-001  | Battery Pack                       |
|         | 972000-597  | Owner's Manual                     |



\* Can Be Purchased Thru RSOS (Retail Special Order System)

**For in-home major brand repair service:**

Call 24 hours a day, 7 days a week

**1-800-4-MY-HOME<sup>SM</sup>** (1-800-469-4663)

**Para pedir servicio de reparación a domicilio – 1-800-676-5811**

In Canada for all your service and parts needs call

Au Canada pour tout le service ou les pièces – **1-800-665-4455**

**For the repair or replacement parts you need:**

Call 6 am – 11 pm CST, 7 days a week

**PartsDirect<sup>SM</sup>**

**1-800-366-PART** (1-800-366-7278)

**Para ordenar piezas con entrega a domicilio – 1-800-659-7084**

**For the location of a Sears Parts and Repair Center in your area:**

Call 24 hours a day, 7 days a week

**1-800-488-1222**

**For information on purchasing a Sears Maintenance Agreement  
or to inquire about an existing Agreement:**

Call 9 am – 5 pm, Monday – Saturday

**1-800-827-6655**



The Service Side of Sears

## Free Manuals Download Website

<http://myh66.com>

<http://usermanuals.us>

<http://www.somanuals.com>

<http://www.4manuals.cc>

<http://www.manual-lib.com>

<http://www.404manual.com>

<http://www.luxmanual.com>

<http://aubethermostatmanual.com>

Golf course search by state

<http://golfingnear.com>

Email search by domain

<http://emailbydomain.com>

Auto manuals search

<http://auto.somanuals.com>

TV manuals search

<http://tv.somanuals.com>