



COMMERCIAL MERCHANDISER FREEZER *OWNER'S MANUAL*

Models: J1GF-12S, J1GF-20S, J2GF-40S,
J2GRF-40DT, J3GF-61S, J3GRF-61DT

This manual contains important information regarding your new ColdTech unit. Please read the manual thoroughly prior to equipment set-up, operation and maintenance. Failure to comply with regular maintenance guidelines outlined in this manual may void warranty. MUST READ!!!

Jimex Corp.

1575 Zephyr Avenue

Hayward, CA 94544

(800) 314-4477 (510) 477-3400

f: (510) 477-3413

www.coldtechUSA.com

TABLE OF CONTENTS

Page 2.....	ColdTech Limited Warranty
Page 3.....	Installation
Page 4.....	Leg or Caster Installation
Page 5.....	Light Switch & Temperature Control Access
Page 6.....	Maintenance and Troubleshooting
Page 8.....	Safety / Warning
Page 9.....	Temperature Control Instructions
Page 11.....	Default Temperature Control Settings

LIMITED WARRANTY

Jimex Corp. warrants to the original purchaser the ColdTech unit sold and all parts thereof to be free from defects in material or workmanship, under normal use and service for a period of one (1) year from the date of purchase.

In addition to the warranty set forth above, Jimex Corp. warrants the hermetically-sealed compressor for an additional four (4) years, not to exceed sixty (60) months from the date of shipment from the corresponding distribution location.

Please read the attached Original Warranty Certificate for details.

EXCLUSION FROM WARRANTY

1. Normal start-up, maintenance, adjustments, and cleaning.
2. Damage caused by improper installation of the ColdTech unit as outlined in this manual.
3. Labor charges resulting from the inaccessibility of the ColdTech cabinet.
4. Damage to parts due to misuse, abuse, neglect, or accidents.
5. Premium labor rates due to holidays, overtime, travel time, mileage, etc., not specifically authorized by Jimex Corp. prior to service.
6. Repairs due to modifications to the ColdTech unit or refrigeration system, including remoting location of compressor(s), door hinge reversal, etc.
7. Claims for indirect or consequential damages, including food spoilage or product loss.
8. Damage due to faulty or incorrect power supply, floods, storms, or other acts of God.

WARRANTY SERVICE

To insure warranty coverage, a qualified service company, authorized by Jimex Corp., must perform the warranty repair. Please contact the ColdTech Service Department for assistance. All service calls must be authorized by a qualified Jimex Corp. employee.

INSTALLATION

IMPORTANT!!! PLEASE READ BEFORE INSTALLATION

- 1) If the unit has recently been transported please let unit stand still for a minimum of 24 hours before plugging it in.
- 2) Make sure that the unit drops down to desired temperature before loading the unit with product.
- 3) Make sure that there is proper ventilation around the unit in the area where it will operate.
- 4) Make sure all accessories are installed (i.e. shelves, shelf clips, casters) before plugging the unit in.
- 5) Please read through the Operation / Owners Manual in its entirety. Lack of maintenance or misuse of the unit will VOID warranty. Please fill out the registration card and send it to the factory.

CABINET LOCATION GUIDELINES

1) Install the unit on strong and leveled surfaces

- unit may make unpleasant noises if surface is uneven
- unit may malfunction if surface is uneven

2) Install the unit in an indoor, well-ventilated area

- unit performs more efficiently in a well-ventilated area
- for best performance, please maintain clearance of 4" on the back of the unit
- outdoor use may cause decreased efficiency and damage to the unit

3) Avoid installation in a high humidity and/or dusty area

- humidity could cause unit to rust and decrease efficiency of the unit
- dust collected on condenser coil will cause unit to malfunction. Clean the condenser at least once a month with a brush or clean cloth
- malfunction due to dirty condenser will void warranty

4) Select a location away from heat and moisture-generating equipment

- high ambient temperatures will cause the compressor to overwork, leading to higher energy bills and gradual breakdown of the unit
- malfunction due to high ambient temperature will void warranty

ELECTRICAL

Please ensure that the required voltage of the compressor is being supplied at all times. Low or high voltage can detrimentally affect the refrigeration unit and thereby void its warranty.

All units should be plugged into a grounded and properly-sized electrical outlet with appropriate overcurrent protection. Please refer to the electrical requirements on the unit serial tag located inside the unit. Please make sure that your unit has its own dedicated outlet. Do not use an extension cord.

UNIT LEG AND CASTER (optional) INSTALLATION

Make sure to follow diagrams to properly install the units adjustable legs or optional casters!!!

1) Install the provided nut to the leg, to the desired height.
(for optional caster installation, start with step #2)
Skipping step #1 might bend support rails and make the unit unstable. This will void any or all warranties.

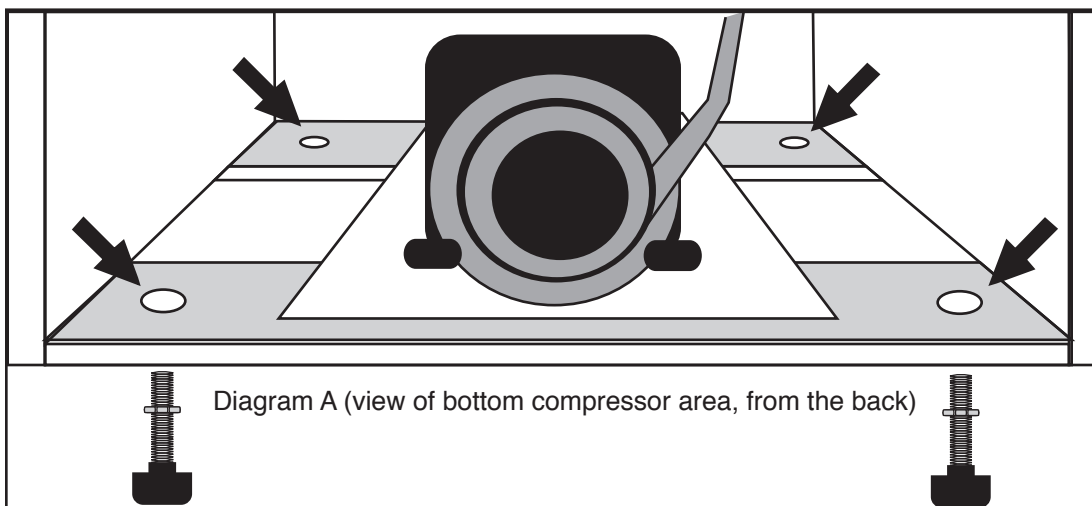
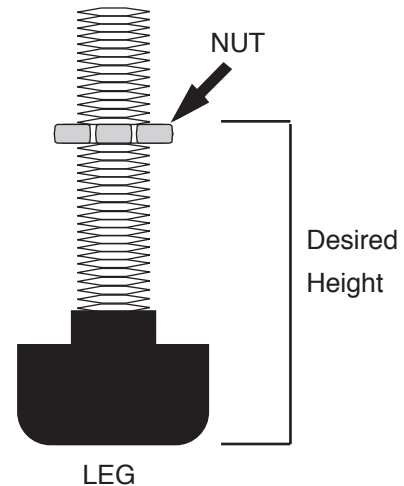
2) Locate the pre-drilled holes in the support rails, as outlined by diagram A, found on the bottom of the unit. (for optional caster installation, skip to step #4)

3) Put the leg (with nut already installed from step #1) into the pre-drilled holes. Secure the top of the leg by installing another nut. See diagram A.

If a nut is already welded onto the support rails, then you do not need to install another nut. Simply screw the leg (with the nut installed onto the leg previously in step 1) into the welded nut on the support rail.

4) For optional caster installation, either screw the caster bolt into the welded nut on the support rails, or, put the caster bolts through the pre-drilled holes and secure the top of the caster bolt by installing a nut. **Make sure that caster nut is very tight.**

5) Make sure to properly install all legs. All units require 4 legs. (J3 models require 6 legs)

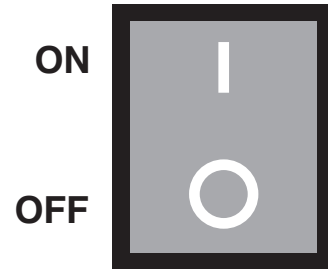


LIGHT SWITCH OPERATION AND ACCESSING THE TEMPERATURE CONTROL

Warning!!! Adjusting the parameters of the temperature control, if done improperly, may cause malfunction of the unit and may void warranty. Consult ColdTech service department before adjusting the temperature control parameters.

LIGHT SWITCH OPERATION

- 1) To turn on the light, simply move the toggle switch to "I"
- 2) To turn off the light, simply move the toggle switch to "O"



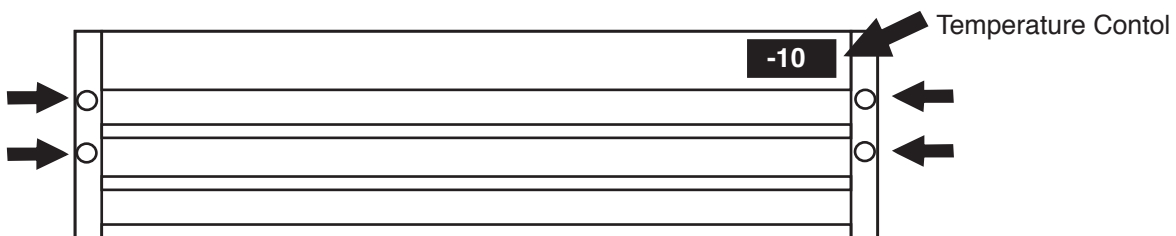
It is recommended that you turn off the light, whenever possible. This will allow the unit to operate more efficiently and reduce your electricity costs.

ACCESSING THE TEMPERATURE CONTROL

The temperature control is mounted behind the bottom kick grill, in front of the unit. It is mounted behind a clear plastic cover, so that you can see the operating temperature, but will not allow anyone to change the parameters of the control without your knowledge (tamper-proof).

To access the temperature control:

- 1) Locate the screws that attach the bottom kick grill to the unit. They are found inside of the 4 holes located on both sides of the bottom kick grill.
- 2) Remove the screws using a Phillips Screwdriver.
- 3) Remove the bottom kick grill. Beware the wires for the light switch. Do NOT disconnect the wires for the light switch.
- 4) Make adjustments to the control, using the directions that start on page 9. **CONSULT COLDTECH SERVICE DEPARTMENT BEFORE MAKING ANY CHANGES.**



REGULAR MAINTENANCE

CLEANING THE CONDENSER COIL

For efficient operation, it is important that the condenser surface be kept free of dust, dirt, and lint. ColdTech recommends cleaning the condenser coil and fins at least once per month. Clean with a commercial condenser coil cleaner, available from any kitchen equipment retailer. Brush the condenser fins from top to bottom, not side to side. After cleaning, straighten any bent condenser fins with a fin comb.

CLEANING THE FAN BLADES AND MOTOR

If necessary, clean the fan blades and motor with a soft cloth. If it is necessary to wash the fan blades, cover the fan motor to prevent moisture damage.

CLEANING THE INTERIOR OF UNIT

When cleaning the cabinet interior, use a solvent of warm water and mild soap. Do not use steel wool, caustic soap, abrasive cleaners, or bleach that may damage the stainless steel surface.

Wash door gaskets on a regular basis, preferably weekly. Simply remove door gasket from the frame of the door, soak in warm water and soap for thirty (30) minutes, dry with soft cloth, and replace. Check door gaskets for proper seal after they are replaced.

Periodically remove the shelves and pilasters from the unit and clean them with mild soap and warm water. To remove the pilasters, use a Phillips screwdriver to unscrew the pilasters.

WARNING

Disconnect power cord before cleaning any parts of the unit.

TROUBLE SHOOTING

Before requesting any service on your ColdTech unit, please check the following points. Service calls resulting from lack of maintenance or misuse is not covered under warranty and also may void warranty. Please note that this guide serves only as a reference for solutions to common problems.

SYMPTOM	POSSIBLE CAUSE	CORRECTIVE ACTION
Compressor not running.	Fuse blown or circuit breaker tripped. Power cord unplugged. Thermostat set too high. Cabinet in defrost cycle.	Replace fuse or reset circuit breaker. Plug in power cord. Set thermostat to lower temperature. Wait for defrost cycle to finish.
Condensing unit runs for long periods of time.	Excessive amount of warm product placed in cabinet. Prolonged door opening or door ajar. Door gasket(s) not sealing properly. Dirty condenser coil. Evaporator coil iced over.	Allow adequate time for product to cool down. Ensure doors are closed when not in use. Avoid opening doors for long periods of time. Ensure gaskets are snapped in completely. Remove gasket and wash with soap and water. Check condition of gasket and replace if necessary. Clean the condenser coil. Unplug unit and allow coil to defrost. Make sure thermostat is not set too cold. Ensure that door gasket(s) are sealing properly.
Cabinet temperature is too warm.	Thermostat set too warm. Blocking air flow. Excessive amount of warm product placed in cabinet. Fuse blown or circuit breaker tripped. Dirty condenser coil. Prolonged door opening or door ajar. Evaporator coil iced over.	Set thermostat to lower temperature. Re-arrange product to allow for proper air flow. Make sure there is at least four inches of clearance from evaporator. Allow adequate time for product to cool down. Replace fuse or reset circuit breaker. Clean the condenser coil. Ensure doors are closed when not in use. Avoid opening doors for long periods of time. (see above)
Cabinet is noisy.	Loose part(s). Tubing vibration.	Locate and tighten loose part(s). Ensure tubing is free from contact with other tubing or components.

SAFETY / WARNING

Please pay close attention the the safety notices in this section. Disregarding these notices may lead to serious injury and/or damage to the unit.

KEY



- 1) To minimize shock and fire hazards, be sure not to overload outlet. Please designate one outlet for your unit.
- 2) Do not use extension cords.
- 3) Do not put your hands under the unit when the unit is required to be moved.
- 4) When the unit is not in use for a long period of time, please unplug the unit from the outlet.
- 5) After unplugging the unit, wait at least 10 minutes before re-plugging it. Failure to do so could cause damage to the compressor.



- 1) To minimize shock and fire hazards, please do not plug or unplug the cord with wet hands.
- 2) During maintenance and cleaning, please unplug the unit.



- 1) To minimize shock and fire hazards, make sure that the unit is properly grounded.

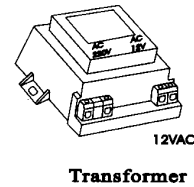
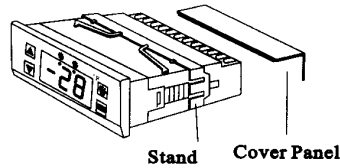
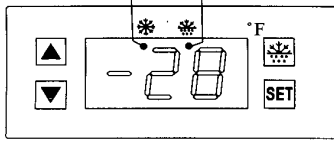


- 1) Do not attempt to remove or repair any component unless instructed by factory.
- 2) Make sure that the unit is not resting on or against the electrical cord and plug.
- 3) To minimize personal injury, do not hang on the doors.
- 4) Do not store any flammable and explosive gas or liquids inside the unit.
- 5) Do not attempt to alter or tamper with the electrical cord.
- 6) Do not set the desired temperature out of the recommended temperature range:

(Ref: 32 F - 55 F Fre: -15 F - 20 F)

Model: SF-104 Temperature Controller

Refrigerant LED Defrost LED



Features of Function

- Mini-sized and integrated intelligent control and applicable to the compressor of one H.P.
- Temperature Display/ Temperature Control/ Manual, automatic defrost by electric heater /Evap. Fan Control/ Value Storing/ Self Testing /Parameter Locking

Specifications:

1. Output of the outside sealed transformer: AC 12V(one transformer matched with one temp. controller)
2. Temperature sensor: NTC, Double sensors (for cold room temp. & defrost control), 2m(L)
3. Range of temperature displayed: $-40\sim 120^{\circ}\text{F}$; Tolerance: $\pm 2^{\circ}\text{F}$
4. Range of set temperature: $-40\sim 120^{\circ}\text{F}$; Factory default: 32°F
5. Panel dimension: 77 (Length) \times 35 (Width) \times 60 (Depth) mm
Mounting hole dimension: 71(Length) \times 29 (Width) mm
6. Temperature of the operating environment: $-14\sim 140^{\circ}\text{F}$ Relative Humidity: 20%~90%(Non-condensing)
7. Output contact capacity:
 - Compressor: N.O. 20A/250V AC(applicable to 1 H.P. Compressor, if more connected to AC contactor)
 - Defrost: N.O. 10A/250V AC (applicable to 1KW load, if more connected to AC contactor)
 - Evap. Fan: N.O. 5A/250V AC


Front Panel Operation

1. Set temperature
 - Press **SET** button, the set temperature is displayed.
 - Press **▲** or **▼** button to modify and store the displayed value, Press **SET** button to exit the adjustment and display the cold room temperature.
 - If no more button is pressed within 10 seconds, the cold room temperature will be displayed.
2. Manual start/stop defrost: Press **☼** button and hold for 6 seconds to defrost or stop defrost.
3. Display the evap. Temperature: Press **▲** button and hold for 6 seconds, the evap. Temp. is displayed., after 10 seconds the cold room temp. is resumed to be displayed.
4. Refrigerant indicator: During refrigeration, the indicator is on; When the cold room temp. is constant, the indicator is off; During the delay start, the indicator flashes.
5. Defrost indicator: during defrosting, the indicator is on; When it stops defrosting, the indicator is off. During the delay display of defrost, the indicator flashes.
6. Parameter setup
 - Press **SET** button and hold for 6 seconds to enter the parameter setup mode while E1 flashes.
 - Press again **SET** button to select sequentially from the 10 parameters: E1,E2,E3,E4,E5,E6,F1,F2,F3,F4.
 - Press **▲** or **▼** button, the value of parameter will be displayed and can be modified and stored.
 - If no more button is pressed within 10 seconds, the cold room temperature will be displayed.

Parameter	Function	Set range	Default	Parameter	Function	Set range	Default
E1	Lower setpoint limit	$-40^{\circ}\text{F}\sim$ Set temp.	-31°F	F1	Defrost duration	60Min	20Min
E2	Higher setpoint limit	Set temp. $\sim 120^{\circ}\text{F}$	32°F	F2	Defrost interval time	$\sim 24\text{Hr}$	6Hr
E3	Temp. hysteresis	$1\sim 18^{\circ}\text{F}$	7°F	F3	Defrost term. temp.	$32\sim 68^{\circ}\text{F}$	46°F
E4	Comp. start delay time	0 \sim 60min	2Min	F4	Display during defrost	0=Nomal display 1= Last value before defrost	0
E5	Offset on room temp.	$-5\sim 5^{\circ}\text{F}$	0°F				
E6	Offset on cold temp.	$-5\sim 5^{\circ}\text{F}$	0°F				

7. The factory default resumption: press **▼** button for 1 second and then press **▲** button simultaneously for 6 seconds, the indicator flashes and the buzzer buzzes, all parameters will be resumed as same as factory defaults. After 10 seconds, it returns to the normal operation.

8. Lock parameters:

In normal operating, press  button and hold for 10 seconds to lock the parameters if "OFF" is displayed (No modification is allowed), or to unlock if "ON" is displayed. Parameter can be displayed only and not be modified if locked, but the adjustment of the set temp. is active. (the factory default is "ON")

Function details:

1. Temperature controller

- After turning on for one minute, the evap. fan operates, And after the delay time ,the compressor starts operating when cold room temperature \geq (set temp.+ Hysteresis), and will be off when cold room temperature \leq set temp.
- To protect the compressor, it can re-start unless the time when the compressor stops every time is longer than the delay time(Parameter E4).

2. Defrost:

- It defrosts and heats only if the temp. of the evap. sensor is less than the defrost termination temperature (Parameter F3).
- Operating after a defrost interval time. it will be automatically in the status of defrost. If the temperature of evap. sensor is less than the defrost termination temp. , the defrost indicator will turn on, the heater will work, and the compressor and the evaporation fan will stop.
- When the temp. of the evap. sensor is over the temp. of defrost termination; or the defrost duration ends, the compressor will exit the defrost status. The heater will stop. After two minutes it will be in the normal status of refrigeration , after one minute the evaporation fan will run.
- When the duration of defrost is set "00" , the function of automatic defrost will be cancelled.

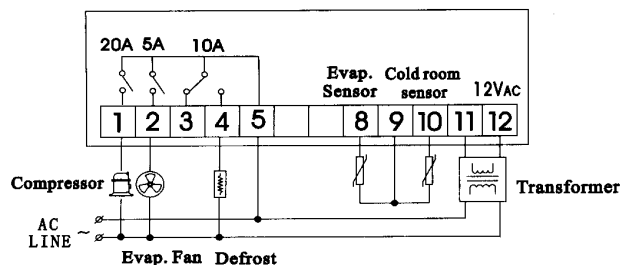
3. Display during defrost

When setting the parameter F4=1, the room temp. is locked during defrost, and the last value before defrost is displayed. When defrost ends, normal display will be resumed after 20 minutes delay of room temp. display. The defrost indicator flashes during the delay.

4. Abnormal work mode:

- Room sensor short circuit or overheated (more than 120°F) "HH" is displayed; Room sensor open circuit or too low temperature (less than -40°F) "LL" is displayed. At that time the compressor automatically by the cycle of 45 minutes on and 15 minutes off.
- Evap. sensor fails or over the displayed range, the defrost termination will be just controlled by the defrost duration. (Parameter F1)

5. Circuit Diagram:



Notes for Installation:

1. Sensor leads must be kept separately from main voltage wires in order to avoid high frequency noise induced. Separate the power supply of the loads from the power supply of the controller.
2. When installation the probe shall be placed with the head upward and the wire downward; The evaporator probe must be installed between the fins of the evaporator in the area, where probably the ice is the thickest. Don't place the evaporator probe near the electric heater.
3. In case of long-distance probe installation from the controller, the probe cable may be prolonged up to 100 m max. without any re-calibration
4. The temperature controller can not be installed in the area with water drops.

Accessories for the temperature controller:

1. One attached transformer
2. Two temperature sensors
3. One installation stand
4. One cover panel and 1 $\phi 3 \times 10$ mm screw

Applicable to Models: J1GF-12S, J1GF-20S, J2GF-40S, J2GRF-40DT (freezer only), J3GF-61S, J3GRF-61DT (freezer only)

ColdTech® Freezer Merchandiser Settings

Temperature set to -10 F

Parameter	Function	Set Range	Default
E1	Lower Setpoint Limit	-40 F ~ set temp	-20 F
E2	Higher Setpoint Limit	set temp ~ 120 F	20 F
E3	Hysteresis, temp variance	1 ~ 18 F	10 F
E4	Comp. start delay time	0 ~ 10 min.	3 min.
E5	Offset on room temp	-5 ~ 5 F	0 F
E6	Offset on evap temp	-5 ~ 5 F	0 F
F1	Max. defrost duration	1 ~ 60 min.	40 min.
F2	Defrost interval time	0 ~ 24 hr.	8 hr.
F3	Defrost termination temp	32 ~ 68 F	55 F

Applicable to Models: J2GRF-40DT (refrigerator only), J3GRF-61DT (refrigerator only)

ColdTech® Refrigerator Settings

Temperature set to 37 F

Parameter	Function	Set Range	Default
E1	Lower Setpoint Limit	-40 F ~ set temp	36 F
E2	Higher Setpoint Limit	set temp ~ 120 F	45 F
E3	Hysteresis, temp. variance	1 ~ 18 F	10 F
E4	Comp. start delay time	0 ~ 10 min.	2 min.
E5	Offset on room temp	-5 ~ 5 F	0 F
E6	Offset on evap temp	-5 ~ 5 F	0 F
F1	Max. defrost duration	1 ~ 60 min.	N/A
F2	Defrost interval time	0 ~ 24 hr.	0
F3	Defrost termination temp	32 ~ 68 F	N/A

Key

F = Farenheit (degrees)
 min. = minutes
 hr. = hours

temp = temperature
 max = maximum
 N/A = not applicable

Warning:

Do not change the default settings of your ColdTech unit without consulting a qualified service technician or the ColdTech service department.

The New Symbol of Innovation™

MEMO

RETAIN THIS MANUAL FOR FUTURE REFERENCE

Please read the entire manual carefully before installation and operation. If certain recommended procedures are not followed, warranty claims will be denied.

Notice: ColdTech reserves the right to make changes in design and specifications without prior notice.

MODEL #: _____

SERIAL #: _____

PURCHASE DATE #: _____

Free Manuals Download Website

<http://myh66.com>

<http://usermanuals.us>

<http://www.somanuals.com>

<http://www.4manuals.cc>

<http://www.manual-lib.com>

<http://www.404manual.com>

<http://www.luxmanual.com>

<http://aubethermostatmanual.com>

Golf course search by state

<http://golfingnear.com>

Email search by domain

<http://emailbydomain.com>

Auto manuals search

<http://auto.somanuals.com>

TV manuals search

<http://tv.somanuals.com>