

CX-CD237

AM/FM STEREO COMPACT DISC PLAYER



COBY®

OPERATING INSTRUCTION

COBY®

90 DAY LIMITED WARRANTY

COBY ELECTRONICS CORP. ("COBY") warrants this product to the original purchaser to be free from defects in material or workmanship under normal use for 90 DAYS from the date of original purchase. COBY agrees under this warranty, to repair or replace it with a new or reconditioned product at an additional charge. Our warranty does not cover any product which has been subject to neglect, unreasonable use, accident violation of operating instructions or any product that has been repaired or modified by an unauthorized service agent.

To obtain factory service, return this unit freight-prepaid to the address shown below within the duration of this warranty. Enclose \$6.00 for each item in the form of money order made payable to COBY ELECTRONICS CORP. To cover the cost of shipping and handling. Also, include a copy of the sales receipt to show proof of purchase and a detailed description of the problem. The unit(s) must be packaged in such a way as to reasonably protect it from possible shipping damage. For further information write to:

COBY ELECTRONICS CORP.
Customer Service Dept.
56-65 Rust street
MASPETH, NY 11378

COBY liability under any legal theory for any loss or damage in any way related to this product shall not exceed the sales price of this product. In no event shall COBY be liable for any incidental or consequential damages resulting from the use of this product, or inability to use this product. Repair or replacement as provided under this warranty is the exclusive right of the consumer.

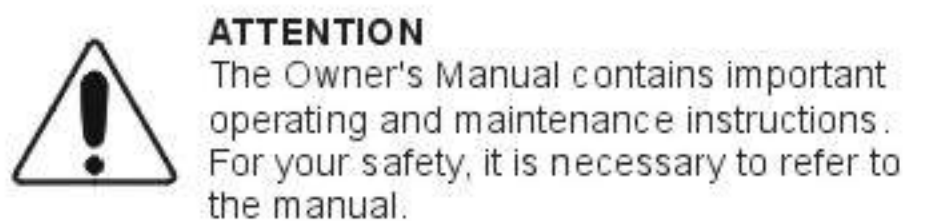
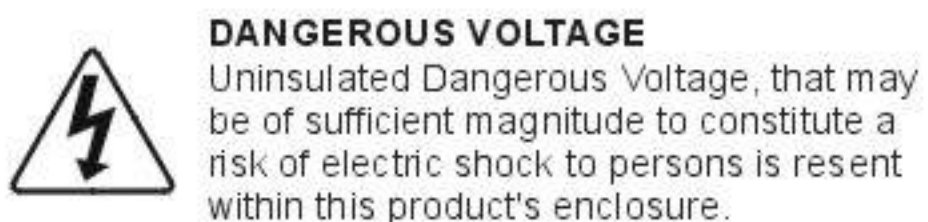
Except to the extent prohibited by law, no express or implied warranty of merchant ability or fitness for a particular purpose on this product shall be extended beyond the period of this warranty. Some States prohibit the exclusion or limitation of incidental or consequential damages so that the above limitations or exclusion may not apply to you. This warranty gives you specific rights, and you may also have other rights that may vary from state to state.

Dear Customer,

Please read this manual thoroughly before operating the unit to become more familiar with it and obtain the performance that will bring you continued enjoyment for many years. Keep these instructions handy for future reference.

WARNING: TO PREVENT FIRE OR SHOCK HAZARD, DO NOT EXPOSE THIS UNIT TO RAIN OR MOISTURE.

For future reference, record the serial number of the unit printed in the rear of the cabinet.



FCC WARNING:
This equipment may generate or use radio frequency energy. Changes or modifications to this equipment may cause harmful interference unless the modifications are expressly approved in the instruction manual. The user could lose the authority to operate this equipment if an unauthorized change or modification is made.

This equipment has been tested and found to comply with the limits for a Class B digital device. Pursuant to Part 15 of the FCC Rules. These limits are designed to provide reasonable protection against harmful interference in a residential installation. This equipment generates, uses, and can radiate radio frequency energy and, if not installed and used in accordance with instructions, may cause harmful interference to radio communications. However, there is no guarantee that interference will not occur in a particular installation. If this equipment does cause harmful interference to radio or television reception, which can be determined by turning the equipment off and on, the user is encouraged to try to correct the interference by one or more of the following measures:

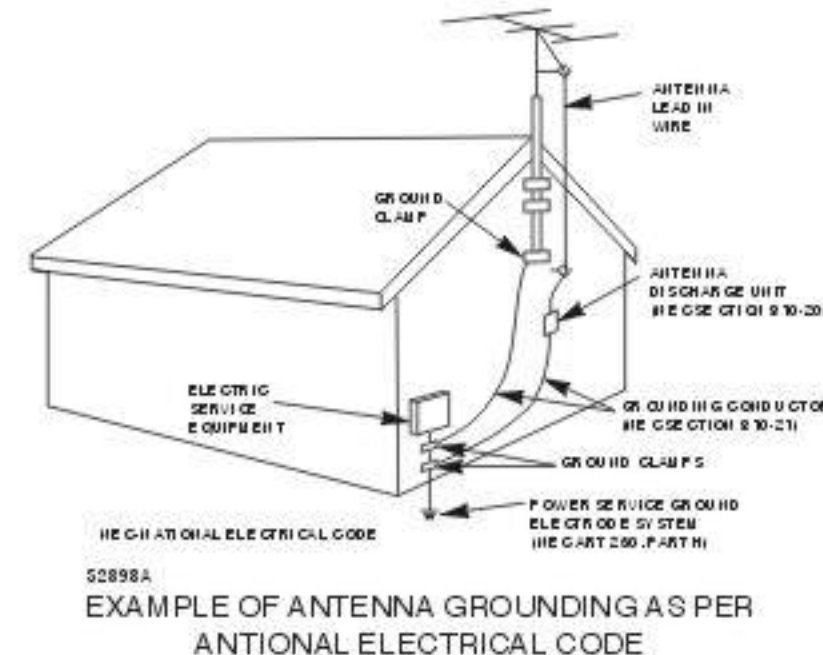
- Reorient or relocate the receiving antenna.
- Increase the separation between the equipment and receiver.
- Connect the equipment into an outlet on a circuit different from that to which the receiver is connected.
- Consult the dealer or an experienced radio/TV technician for help.

LASER SAFETY: This unit employs a laser. Only qualified service personnel should attempt to service this device due to possible eye injury.
CAUTION: USE OF CONTROLS, ADJUSTMENTS OR PERFORMANCE PROCEDURE HEREIN MAY RESULT IN HAZARDOUS RADIATION EXPOSURE.

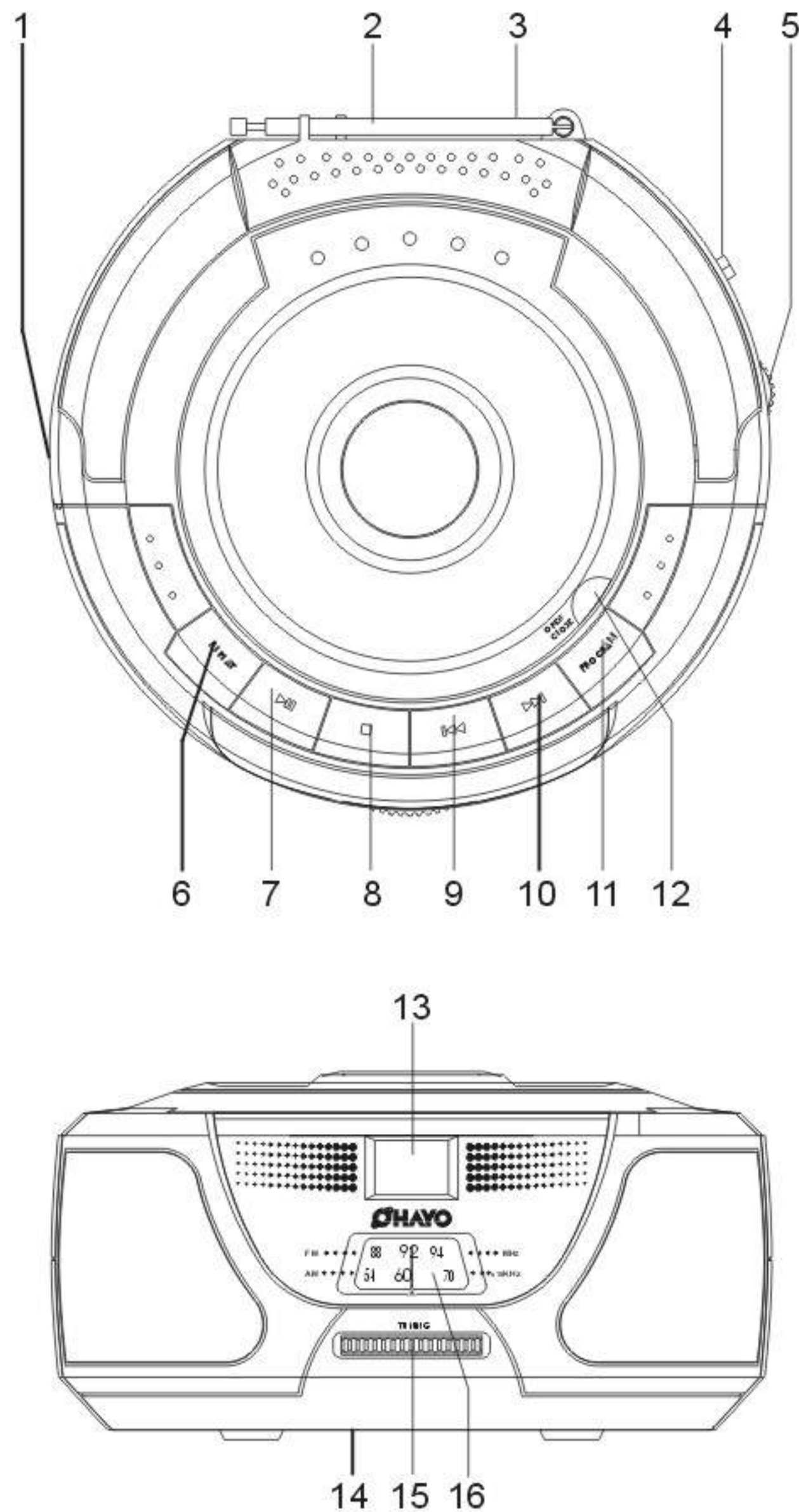
A SAFETY INSTRUCTIONS

Before using the unit, be sure to read all operating instructions carefully. Please note that these are general precautions and may not pertain to your unit. For example, this unit may not have the capability to be connected to an outdoor antenna.

- 1. READ INSTRUCTIONS**
All the safety operating instructions should be read before the product is operated.
- 2. RETAIN INSTRUCTIONS**
The safety and operating instructions should be retained for future reference.
- 3. HEED WARNING**
All warnings on the appliance and in the operating instructions should be adhered to.
- 4. FOLLOWING INSTRUCTIONS**
All operating and use instructions should be followed.
- 5. CLEANING**
Unplug this product from the wall outlet before cleaning. Do not use liquid cleaners or aerosol cleaners. Use a damp cloth for cleaning.
- 6. ATTACHMENTS**
Do not use attachments not recommended by the product's manufacturer as they may cause hazards.
- 7. WATER AND MOISTURE**
Do not use this product near water—for example, near a bathtub, washbowl, kitchen sink, or laundry tub, in a wet basement, or near a swimming pool.
- 8. ACCESSORIES**
Do not place this product on an unstable cart, stand, tripod, bracket, or table. The product may fall, causing serious injury and serious damage to the product. Use only with a cart, stand, tripod, bracket, or table recommended by the manufacturer or sold with the product. Any mounting of the product should follow the manufacturer's instructions, and should use a mounting accessory recommended by the manufacturer.
- 8A. An appliance and cart combination should be moved with care. Quick stops, excessive force, and uneven surfaces may cause the appliance and cart combination to overturn.**
- 9. VENTILATION**
Slots and openings in the cabinet and in the back or bottom are provided for ventilation and to ensure reliable operation of the product and to protect it from overheating. These openings must not be blocked or covered. The openings should never be blocked by placing the product on a bed, sofa, rug, or other similar surface. This product should never be placed near or over a radiator or heat source. This product should not be placed in a built-in installation such as a bookcase or rack unless proper ventilation is provided or the manufacturer's instructions have been adhered to.
- 10. POWER SOURCES**
This product should be operated only from the type of power source indicated on the marking label. If you are not sure of the type of power supply to your home, consult your appliance dealer or local power company. For products intended to operate from battery power, or other sources, refer to the operating instructions.
- 11. GROUNDING OR POLARIZATION**
This product is equipped with a polarized alternating-current line plug (a plug having one blade wider than the other). This plug will fit into the power outlet only one way. This is a safety feature. If you are unable to insert the plug fully into the outlet, try reversing the plug. If the plug should still fail to fit, contact your electrician to replace your obsolete outlet. Do not defeat the safety purpose of the polarized plug.
- 12. POWER-CORD PROTECTION**
Power-supply cords should be routed so that they are not likely to be walked on or pinched by items placed upon or against them, paying particular attention to cords at plugs, convenience receptacles, and the point where they exit from the appliance.
- 13. LIGHTNING**
To protect your product from a lightning storm, or when it is left unattended and unused for long periods of time, unplug it from the wall outlet and disconnect the antenna or cable system. This will prevent damage to the product due to lightning and power-line surges.
- 14. POWER LINES**
An outside antenna system should not be located in the vicinity of overhead power lines or other electric light or power circuits, or where it can fall into such power lines or circuits. When installing an outside antenna system, extreme care should be taken to keep from touching such power lines or circuits as contact with them might be fatal.
- 15. OVERLOADING**
Do not overload wall outlets and extension cords as this can result in a risk of fire or electric shock.
- 16. OBJECT AND LIQUID ENTRY**
Never push objects of any kind into this product through openings as they may touch dangerous voltage points or short out parts that could result in fire or electric shock. Never spill or spray any type of liquid on the product.
- 17. OUTDOOR ANTENNA GROUNDING**
If an outside antenna is connected to the product, be sure the antenna system is grounded so as to provide some protection against voltage surges and built-up static charges. Section 810 of the National Electric Code, ANSI/NFPA 70, provides information with respect to proper grounding of the mast and supporting structure, grounding of the lead-in wire to an antenna discharge product, size of grounding conductors, location of antenna discharge product, connection to grounding electrodes, and requirements for grounding electrode.
- 18. SERVICING**
Do not attempt to service this product yourself as opening or removing covers may expose you to dangerous voltage or other hazards. Refer all servicing to qualified service personnel.
- 19. REPLACEMENT PARTS**
When replacement parts are required, be sure the service technician uses replacement parts specified by the manufacturer or those that have the same characteristics as the original part. Unauthorized substitutions may result in fire, electric shock or other hazards.
- 20. SAFETY CHECK**
Upon completion of any service or repairs to this product, ask the service technician to perform safety checks to determine that the product is in proper operating condition.
- 21. WALL OR CEILING MOUNTING**
The product should be mounted to a wall or ceiling only as recommended by the manufacturer.
- 22. DAMAGE REQUIRING SERVICE**
Unplug the product from the wall outlet and refer servicing to qualified service personnel under the following conditions:
 - a. When the power-supply cord or plug is damaged.
 - b. If liquid has been spilled, or objects have fallen into the product.
 - c. If the product has been exposed to rain or water.
 - d. If the product does not operate normally by following the operating instructions. Adjust only those controls that are covered by the operating instructions, as an adjustment of other controls may result in damage and will often require extensive work by a qualified technician to restore the product to its normal operation.
 - e. If the product has been dropped or the cabinet has been damaged.
 - f. When the product exhibits a distinct change in performance - this indicates a need for service.
- 23. HEAT**
The product should be situated away from heat sources such as radiators, heat registers, stoves, or other products (including amplifiers) that produce heat.
- 24. NOTE TO CATV SYSTEM INSTALLER**
This reminder is provided to call the CATV system installer's attention to article 820-40 of the NEC that provides guidelines for proper grounding and, in particular, specifies that the cable ground shall be connected to the grounding system of the building, as close to the point of cable entry as practical.
- 25. NONUSE PERIODS**
The power cord of the appliance should be unplugged from the outlet when left unused for a long period of time.



B CONTROLS



- 1 HEADPHONE
- 2 ANTENNA
- 3 AC IN jack
- 4 FUNCTION (AM/FM/CD/OFF) switch
- 5 VOLUME
- 6 REPEAT button
- 7 PLAY/PAUSE button
- 8 STOP button

- 9 SKIP DOWN button
- 10 SKIP UP button
- 11 PROGRAM button
- 12 CD OPEN
- 13 LED
- 14 BATTERY COMPARTMENT
- 15 TUNING
- 16 FRONT LENS

C PRECAUTIONS

Read the Operating Instructions carefully and completely before operating the unit. Be sure to keep the Operating Instructions for future reference. All warnings and cautions in the Operating Instructions and on the unit should be strictly followed, as well as the safety suggestions below.

Installation

- 1 Water and moisture - Do not use this unit near water, such as near a bathtub, washbowl, kitchen sink, laundry tub, in a wet basement, swimming pool, or the like.
- 2 Heat - Do not use this unit near sources of heat, including heating vents, stoves, or other appliances that generate heat.
- 3 Mounting surface - Place the unit on a flat, even surface.
- 4 Ventilation - The unit should be situated with adequate space around it so that proper heat ventilation is assured. Allow 10 cm (4 in.) clearance from the rear and the top of the unit and 5 cm (2 in.) from each side.
 - Do not place the unit on a bed, rug, or similar surface that may block the ventilation openings.
 - Do not install the unit in a bookcase, cabinet, or airtight rack where ventilation may be impeded.
- 5 Objects and liquid entry - Take care that objects or liquids do not get inside the unit through the ventilation openings.
- 6 Condensation - Moisture may form on the CD Pickup lens when:
 - The unit is moved from a cold spot to a warm spot
 - The heating system has just been turned on

- The unit is used in a very humid room
 - The unit is cooled by an air conditioner
- When this unit has condensation inside, it may not function normally. Should this occur, leave the unit for a few hours, then try to operate again.

Electric Power

Caution for Canadian users: To prevent electric shock, match wide blade of plug to wide slot, fully insert.

- 1 Power sources - Use on batteries or AC house current, as specified in the Operating Instructions and marked on the unit.
- 2 AC power cord
 - When disconnecting the AC power cord, pull it out by the AC power plug. Do not pull the cord itself.
 - Never handle the AC power plug with wet hands, as this could result in fire or shock.
 - Power cords should be firmly secured to avoid being bent, pinched, or walked upon. Pay particular attention to the cord from the unit to the power socket.
 - Avoid overloading AC power plugs and extension cords, beyond their capacity, as this could result in fire or shock.
- 3 When not in use - Unplug the AC power cord from the AC outlet or remove all the batteries if the unit will not be used for several months or more. When the cord is plugged in, a small amount of current continues to flow to the unit, even when the power is turned off.

D POWER SUPPLY

Caution

Use only the supplied AC cord. Use with other cords may result in the risk of fire.

Before operating the unit for the first time or operating the unit in a new area, it is essential to assure that the setting of the VOLTAGE SELECTOR corresponds with the local voltage. To adjust the voltage, set the VOLTAGE SELECTOR to the local voltage with a screw driver.

Using on batteries

Open the lid of the battery compartment on the rear and insert six (size "C") batteries, not supplied, with

the \oplus and \ominus marks correctly aligned, then close the lid. To switch from AC power supply to battery power supply, disconnect the AC cord from the AC inlet.

notes on batteries

- Do not mix different types of batteries or old batteries with new ones.
 - Never recharge the batteries, apply heat to them or take them apart.
 - Remove dead batteries.
- If liquid leaks from the batteries, wipe thoroughly to remove.

E MAINTENANCE

To clean the cabinet. Use a soft cloth lightly moistened with mild detergent solution. Do not use strong solvents such as alcohol, benzine or thinner.

F CD OPERATION

- 1 Set function switch to CD.
- 2 Push up PUSH OPEN to open the disc compartment and place a disc with the printed side up. The total number of tracks is displayed.
- 3 Press ►/|| PLAY/PAUSE to start play. The number of the track being played is displayed.
- 4 Turn VOLUME to adjust the sound.

■ STOP - Stops play.

►/|| PLAY/PAUSE - Pauses play. To resume play, press again.

◀◀ ▶▶ SKIP/SEARCH - Searches for a particular point during playback. Keep ◀◀ or ▶▶ pressed and then release it.

Skips to the beginning of a track. Press ◀◀ or ▶▶ repeatedly

REPEAT

Press REPEAT once- the indicator lights up and flash.

A single track is played repeatedly. Select a track with ◀◀ or ▶▶ .

Press REPEAT twice- the indicator lights up: All tracks are played repeatedly.

PROGRAM

In stop state, press PROGRAM and use skip/search to select the track . Will be program , press play to start program play.

NOTE

- Do not use irregular shape CDs(example: heart-shaped, octagonal ones). It may result in malfunctions.
- Do not place more than one disc in the disc compartment.
- Do not try to open the disc compartment during play.
- Do not touch the lens. Doing so may cause malfunctions.

G TUNER OPERATION

- 1 Set function to AM or FM.
- 2 Tune to a station with TUNING.
- 3 Turn VOLUME to adjust the sound.
- 4 Turn off radio, Set function to OFF.

For better reception - Extend the FM antenna and orient it for the best reception; AM antenna is inside the unit. Position the unit for the best reception.

NOTE

If the unit picks up noise from other electrical appliances nearby, like a TV or fluorescent lights, move the unit away.

H SPECIFICATIONS

Tuner section	
Frequency range,	FM: 88~108MHz AM: 540~1700KHz
Maximum out power,	500MW + 500MW
Power supply,	AC: 110/220V 60/50Hz DC: 9V using six size "C" batteries
Speaker:	4OHM x 2

CD player section
Disc- Compact disc / Scanning method - Non-contact optical scanner (semiconductor laser)

● **Specifications and external appearance are subject to change without notice.**

Free Manuals Download Website

<http://myh66.com>

<http://usermanuals.us>

<http://www.somanuals.com>

<http://www.4manuals.cc>

<http://www.manual-lib.com>

<http://www.404manual.com>

<http://www.luxmanual.com>

<http://aubethermostatmanual.com>

Golf course search by state

<http://golfingnear.com>

Email search by domain

<http://emailbydomain.com>

Auto manuals search

<http://auto.somanuals.com>

TV manuals search

<http://tv.somanuals.com>