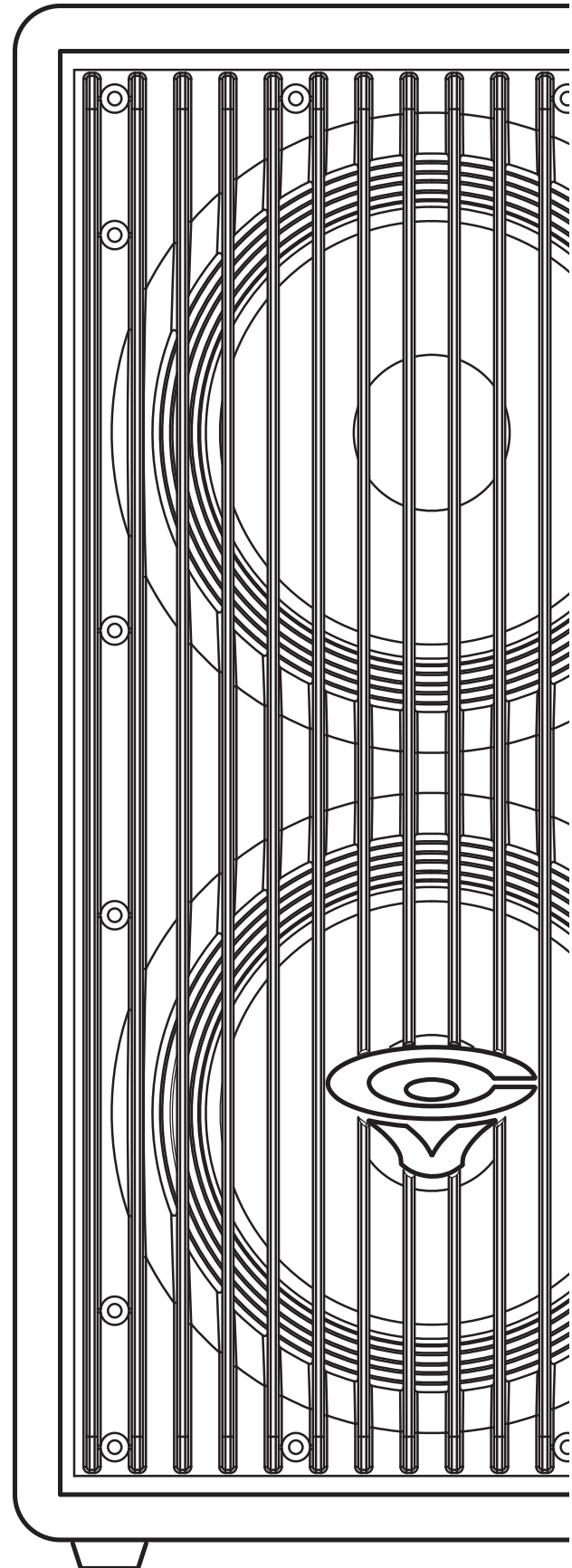
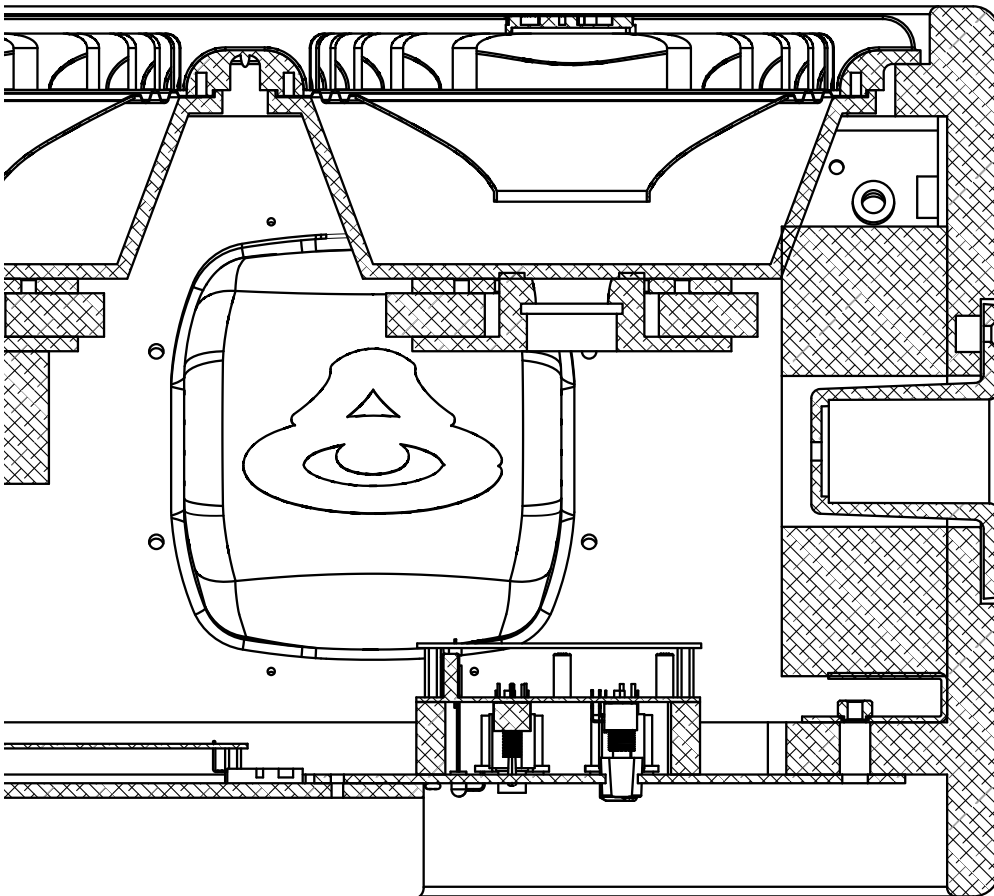




CERWIN-VEGA![®]

P R O F E S S I O N A L

ACTIVE SERIES CVA-28 O P E R A T I O N



CERWIN-VEGA! PROFESSIONAL ACTIVE SERIES

INTRODUCTION

Congratulations! Welcome to the Cerwin-Vega! family. You've joined a growing group of audio professionals who've turned to Cerwin-Vega! for the most advanced audio reproduction systems available. All Cerwin-Vega! systems are thoroughly tested to insure that they meet or exceed our performance specifications. Backed by the best service in the industry, Cerwin-Vega! is dedicated to quality and reliability. For a complete overview of Cerwin-Vega! products and services, log onto www.Cerwin-Vega.com

TABLE OF CONTENTS

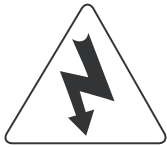
Before You Begin - Important Information	1-2
Specifications	3
Back Panel Controls, Connections and Indicators	4
System Configurations	5-6
Contact Information	Back

IMPORTANT SYMBOLS AND SAFETY INSTRUCTIONS

Explanation of Graphic Symbols



The exclamation point within an equilateral triangle is intended to alert the users to the presence of important operating and maintenance (servicing) instructions in the literature accompanying the product.



The lightning flash with the arrowhead symbol, within an equilateral triangle, is to alert the user to the presence of insulated "dangerous voltage" within the products enclosure that may be of sufficient magnitude to constitute a risk of electric shock to humans.



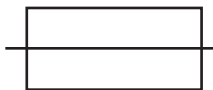
DO NOT EXPOSE TO RAIN OR MOISTURE!

CAUTION: TO REDUCE THE RISK OF ELECTRONIC SHOCK - DO NOT REMOVE COVER. NO USER SERVICEABLE PARTS INSIDE. REFER SERVICING TO QUALIFIED PERSONNEL.



NE PAS EXPOSER À LA PLUIE NI À L'HUMIDITÉ!

ATTENTION: POUR ÉVITER LES RISQUES DE CHOC ÉLECTRIQUE, NE PAS ENLEVER LE COUVERCLE. AUCUN ENTRETIEN DE PIÈCES INTÉRIEURES PAR L'USAGER. CONFIER L'ENTRETIEN AU PERSONNEL QUALIFIÉ. AVIS: POUR ÉVITER LES RISQUES D'INCENDIE OU D'ÉLECTROCUTION, N'EXPOSEZ PAS CET ARTICLE À LA PLUIE OU À L'HUMIDITÉ.



The IEC fuse symbol pictured at the left represents an approved user replaceable fuse. When replacing a fuse, make sure to replace with only the correct type and rating.

Important Safety Instructions

1. Read and keep these instructions.
2. Heed all warnings and follow instructions
3. Do not use this apparatus near water.
4. Clean only with a dry cloth.
5. Do not block any ventilation openings.
6. Do not install near any heat sources such as radiators, heat registers, stoves, or other apparatus that produce heat.
7. Do not defeat the safety purpose of the polarized or grounding-type plug. A polarized plug has two blades with one wider than the other. A grounding type has two blades and a third grounding prong. The wide blade or the third prong is provided for your safety. If the provided plug does not fit your outlet, consult a electrician for replacement of the obsolete outlet.
8. Protect the power cord from being pinched, particularly at plugs, convenience receptacles, and the point where they exit.
9. Only use attachments / accessories specified by the manufacturer.
10. Use only with a cart, stand, bracket, or table specified by the manufacturer or sold with the apparatus. When a cart is used, use caution when moving the cart/apparatus combination to avoid injury from tip-over.
11. Unplug this apparatus during lightning storms or when unused for long periods of time.
12. Refer all servicing to qualified service personnel. Servicing is required when an apparatus has been damaged in any way. Damages include power-cord or plug is damaged, spilled liquid, objects falling into the apparatus, the apparatus being exposed to rain or moisture, the apparatus not operating normally, or dropped.
13. To reduce the risk of fire or electric shock, do not expose this apparatus to rain or moisture.
 - a.) Mains plug is used as the disconnect device. It shall remain readily operable and should not be obstructed during intended use.
 - b.) The apparatus shall not be exposed to dripping or splashing and that no objects filled with liquids, such as vases, shall be placed near/on the apparatus.



CERWIN-VEGA! PROFESSIONAL ACTIVE SERIES

BEFORE YOU BEGIN

The Cerwin-Vega! active speakers covered by this manual are designed for portable applications in which the speakers will be stacked directly on the floor, stage, a solid, stable platform, mounted on a tripod stand or pole-mount. Cerwin-Vega! does not support suspension of the subwoofer models covered by this manual nor are these models intended for fixed installation in outdoor or high moisture environments. Moisture can damage the speaker cone and surround and cause corrosion of electrical contacts. Avoid exposing the speakers to direct moisture. Keep speakers out of extended or intense direct sunlight. The driver suspension will prematurely dry out and finished surfaces may be degraded by long-term exposure to intense ultra-violet (UV) light.

Cerwin-Vega! active speakers can generate considerable energy. When placed on a slippery surface such as polished wood or linoleum, the speaker may move due to its own mechanical vibration. Precautions should be taken to assure that the speaker does not fall off a stage or table on which it is placed.

Some Cerwin-Vega! active speakers include a receptacle cup to allow mounting of a satellite speaker on top of the subwoofer using a standard speaker pole shaft. When using a standard speaker pole shaft, be sure to observe the following precautions:

- Check the speaker pole shaft specification to be certain it is designed to support the weight of the speakers.
- Observe all safety precautions specified by the speaker pole shaft manufacturer.
- Always verify that the subwoofer is placed on a flat, level, and stable surface
- Route cables so that performers, production crew, and audience will not trip over them, toppling the speaker.
- Always be cautious in windy, outdoor conditions as the stability of the entire system may be compromised.

Cerwin-Vega! active speakers are easily capable of generating sound pressure levels (SPL) sufficient to cause permanent hearing damage to performers, production crew and audience members. Caution should be taken to avoid prolonged exposure to SPL in excess of 90 dB.

Built-in Amplifier Precautions

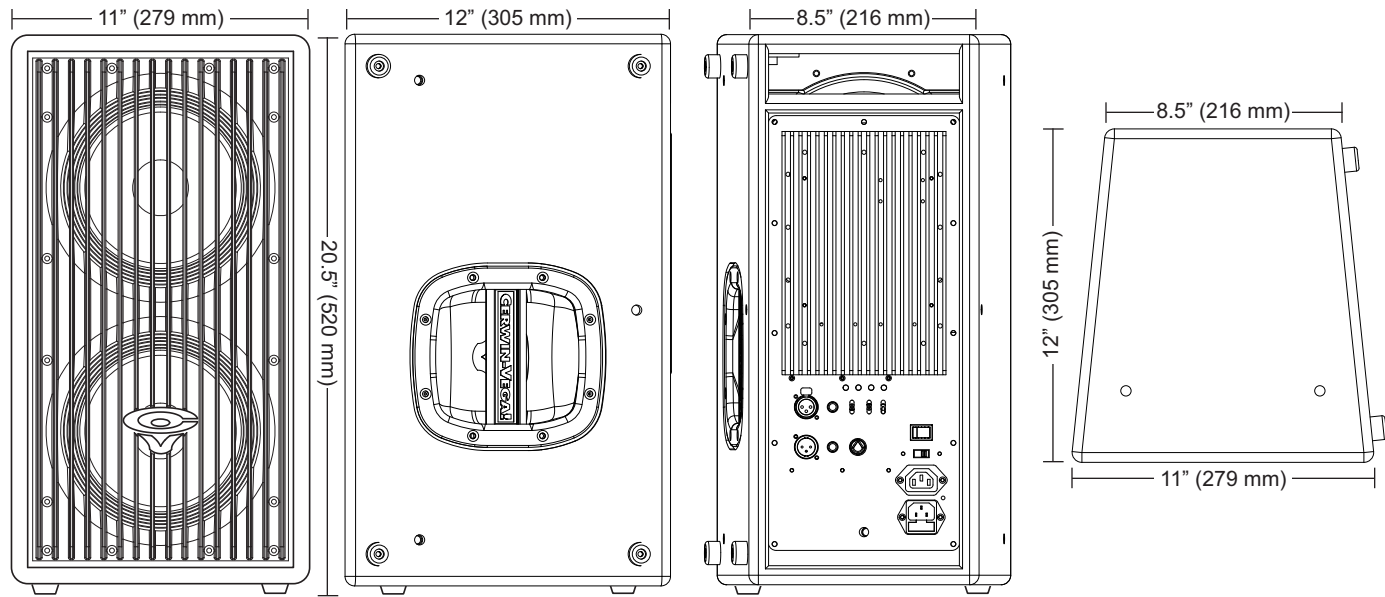
Do not attempt to service this unit. Refer all servicing to a Cerwin-Vega!/Stanton Authorized Service Center. Servicing is required when the apparatus has been damaged in any way, such as power-supply input connector is damaged, liquid has been spilled or objects have fallen into the apparatus, the apparatus has been exposed to rain or moisture, does not operate normally, or has been dropped. Keep your Cerwin-Vega! subwoofer amplifier module away from sources of heat, such as a radiator or oven. Do not cover or surround your Cerwin-Vega! subwoofer amplifier module with material that may retain heat, such as a blanket or curtain. Be certain that the vents on the panel of the amplifier module are clear of all obstructions during operation.

Warning

Shock Hazard: To reduce risk of fire or electric shock, do not expose this unit to rain or moisture. Do not immerse your Cerwin-Vega! amplifier module in any liquid. Do not operate your Cerwin-Vega! powered speaker system near a pool, bathtub or other standing water. Do not bypass or defeat the grounding or polarization means used on the Cerwin-Vega! amplifier module. Make sure all blades on the polarized power plug can be fully inserted into the receptacle or other outlet that will be used with the unit. Your Cerwin-Vega! amplifier module should be cleaned only with a dry cloth. Take care of the power cord attached to your Cerwin-Vega! amplifier module. Avoid situations where your cord might be stretched, pinched, or otherwise abused. Route it to avoid foot traffic. Pay special attention to the cord connector and attachment points.

CERWIN-VEGA! PROFESSIONAL ACTIVE SERIES

SPECIFICATIONS

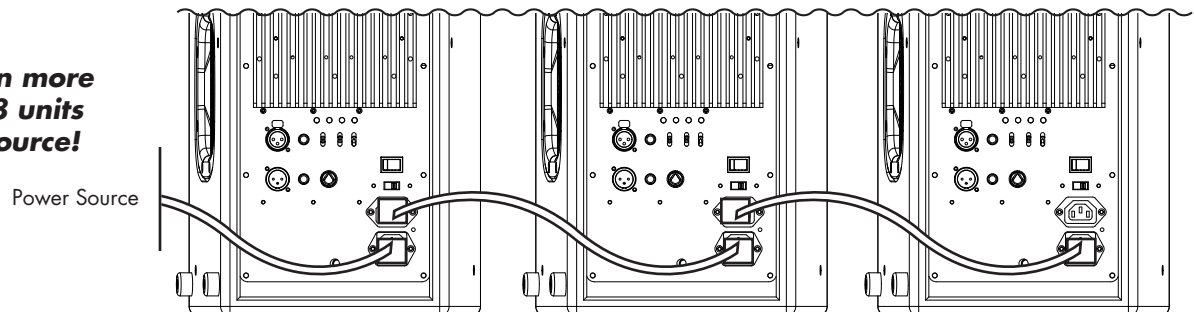


Full Range Active Speaker

System Type	Dual 8 inch active full range speaker
Power Capacity	Continuous 400 watts Peak 800 watts
Frequency Response (± 3 dB)	70 Hz - 20 kHz
Frequency Range (-10 dB)	60 Hz - 20 kHz
Max SPL	128 dB at 800 watts
Sensitivity (1w/1m)	99 dB
HF Driver	CD34B voice coil 34mm
MLF Driver	FR8C, 8 inch voice coil 2 inch
LF Driver	FR8B, 8 inch voice coil 2 inch
Construction	Multi-ply Hardwood
Finish	Cool-X® Polyurethane Paint or Carpet
Dimensions (H x W x D)	20.5 inch x (front)11 inch (rear)8.5 inch x 12 inch 520 mm x (front)279 mm (rear) 216 mm x 305 mm

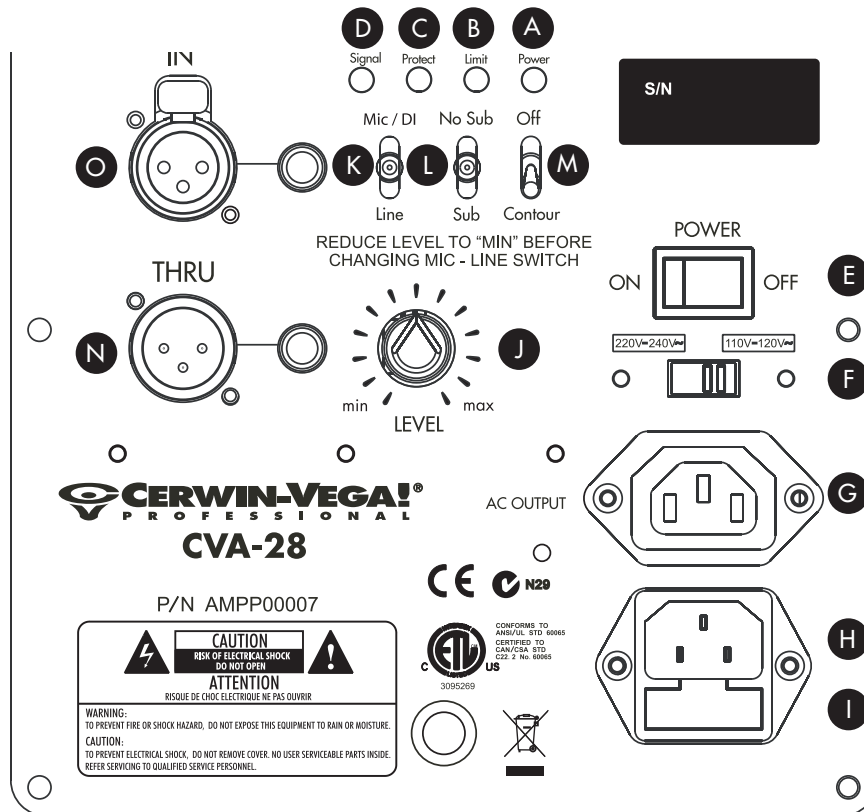
Net Weight	48 lb (21.8 kg)
Amplifier Module	
Power Rating	400 watts / 800 watts peak
Input Connectors	XLR/F Balanced 1/4 inch TRS
Output Connectors	XLR/M 1/4 inch TRS
Controls	Level Line/Mic-D.I. No Sub/With Sub Contour/Off Power Voltage Selector
Nominal Beamwidth (-6 dB SPL Points)	Horizontal 50° Vertical 50°

Warning:
Do not daisy chain more than three CVA-28 units from the power source!



CERWIN-VEGA! PROFESSIONAL ACTIVE SERIES

BACK PANEL CONTROLS, CONNECTORS AND INDICATORS

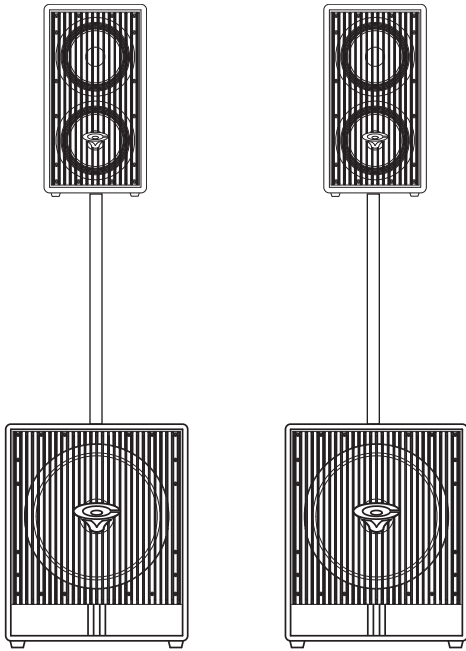


- A) Power Indicator:** Illuminates when the system is powered on.
- B) Limit Indicator:** Illuminates when the protection limiter is active.
- C) Protect Indicator:** Illuminates when the amp has shut down to protect its self.
- D) Signal Indicator:** An audio signal is present at the input.
- E) Power, On/Off:** Switches system on and off.
- F) Voltage Switch:** Allows system to be used with supply voltages of either 110-120 volts or 220- 240 volts.
Warning: Do not plug system into a 220-240 volt circuit while switch is in the 110-120 volt position. Be sure to use the correct value and rating fuse for the voltage selected!
- G) AC Output:** Intended to run power to one or two additional CVA-28 units. **NEVER** daisy chain more than three CVA-28's from a single source!
- H) AC Input:** Input for attachment of an IEC power cord
- I) FUSE:** Be sure to use the correct value and rating fuse for the voltage selected!
- J) Level Control:** Adjusts the input signal to the amplifier.

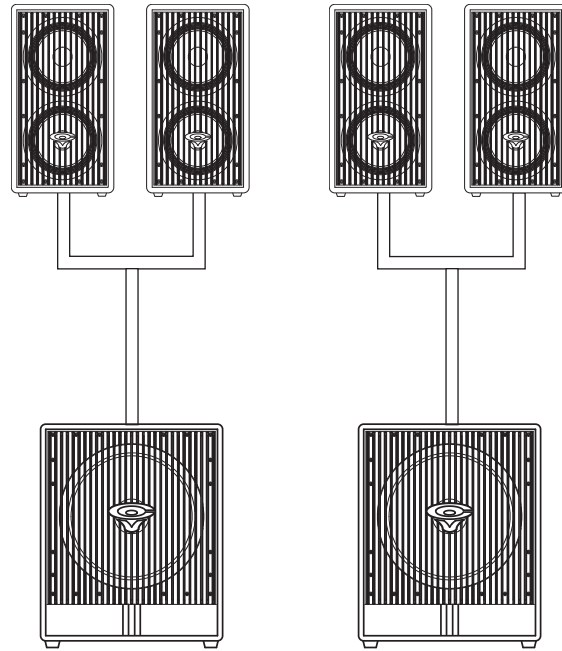
- K) Line/Mic:** Balanced and unbalanced signals are supported on both the XLR input connector and the quarter inch input connector. Allows input to accept either a line level or a mic level signal. Mic/DI is for a microphone or instrument direct input. Line is for a line level output from an audio source such as a mixing board
- L) No Sub/Sub:** Use the "No Sub" position when a dedicated subwoofer is not being used. This position provides more bass for full range use. Use the "Sub" position when a dedicated subwoofer is used. This position reduces some low frequency information that may interfere with your subwoofer frequencies creating a "muddier" or less-defined sound. Experiment with this control for the best results. Removal of these bass frequencies also allows the CVA-28 to play louder.
- M) Off/Contour:** Provides an alternate internal equalization circuit that reduces mid range. Setting this switch to the On position when playing the CVA-28 at high volumes will reduce mid range frequencies for a more even response.
- N) THRU:** This THRU signal bypasses the controls and is a buffered output of the IN signal. Allows the signal at IN to be routed to another CVA-28. Note that you must set up the controls on each CVA-28 independently.
- O) IN:** Balanced XLR and 1/4 inch TRS connectors accept signals from balanced or unbalanced line level or Mic level sources. Signal at IN is buffered and routed to Thru.

CERWIN-VEGA! PROFESSIONAL ACTIVE SERIES

System Configurations: Using the CVA-28 with the CVA-118 Active Subwoofer

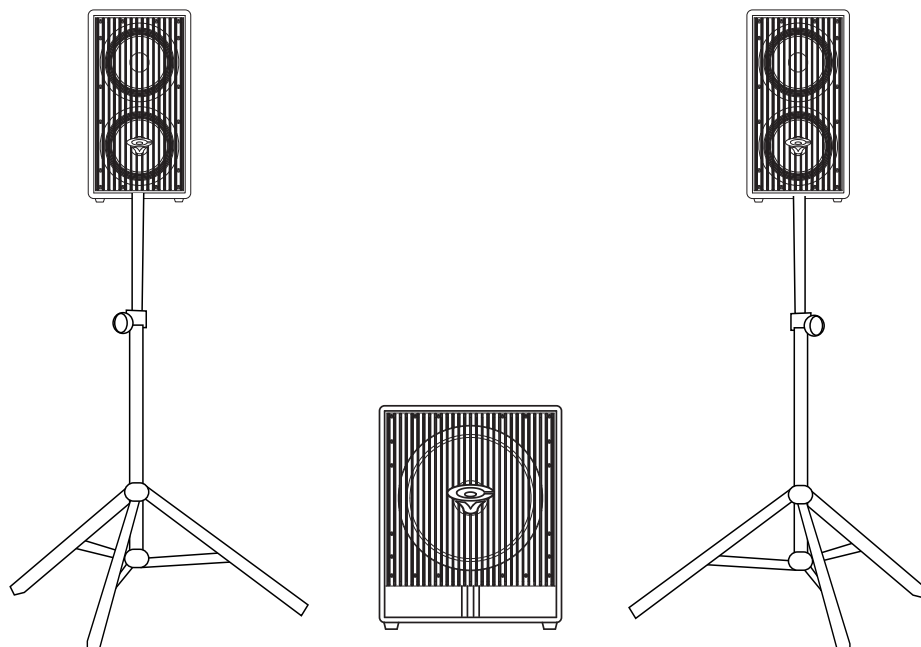


CVA-118 Dual Sub - Two Top Configuration: One CVA-28 mounted on a CVA-118 active subwoofer. The CVPOLE-1A accessory pole can be used, or a qualified pole from another manufacturer. For safety, only use poles rated to hold at least 100 pounds (or 45 kilograms). Note that the CVA-118 has one pole cup.



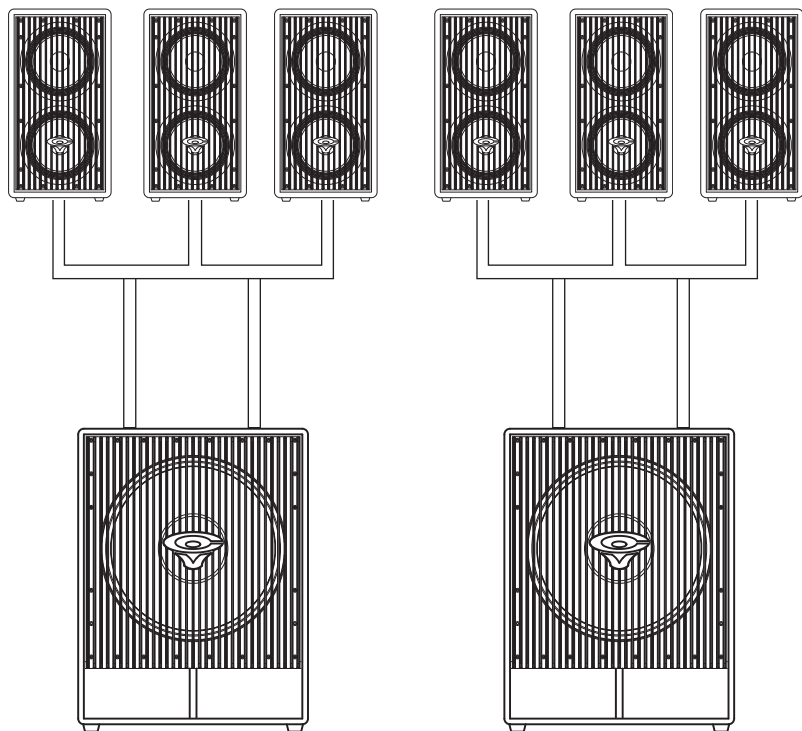
CVA-118 Dual sub - four top configuration: Two CVA-28s mounted on a CVA-118 active subwoofer using the CVANT-2A dual speaker mount. The CVPOLE-1A accessory pole can be used, or a qualified pole from another manufacturer. For safety, only use poles rated to hold at least 150 pounds or 68 kilograms when mounting 2 units on a single pole. Note that the CVA-118 has one pole cup.

CVA-118 Single Sub - Two Top Configuration: The same weight restrictions as in the above examples apply to floor mount speaker stands. For a single CVA-28 make sure your floor stand is rated to hold at least 100 lbs. or 45 kilograms.

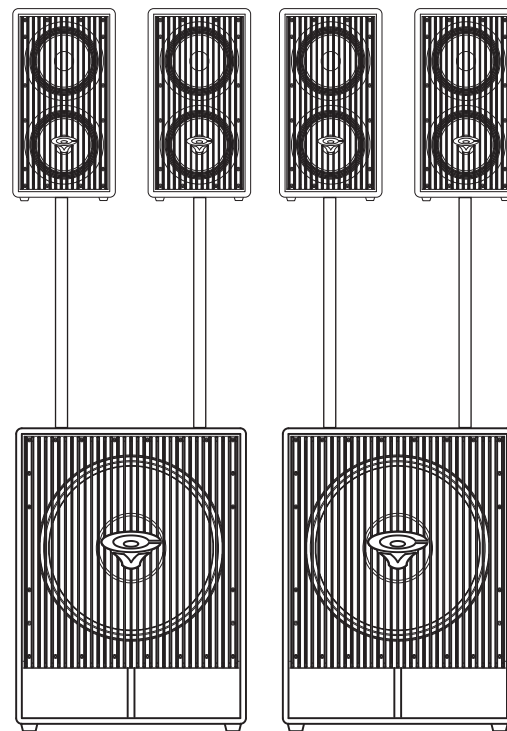


CERWIN-VEGA! PROFESSIONAL ACTIVE SERIES

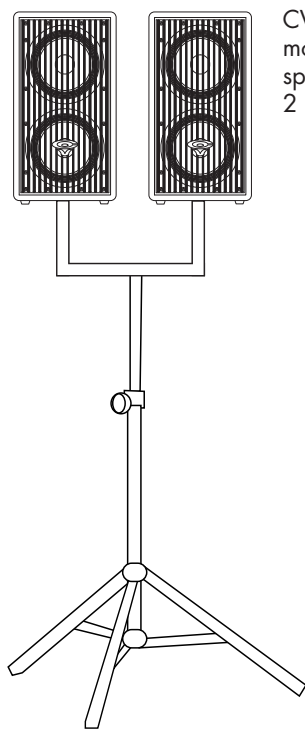
System Configurations Using the CVA-28 with the CVA-121 Active Subwoofer



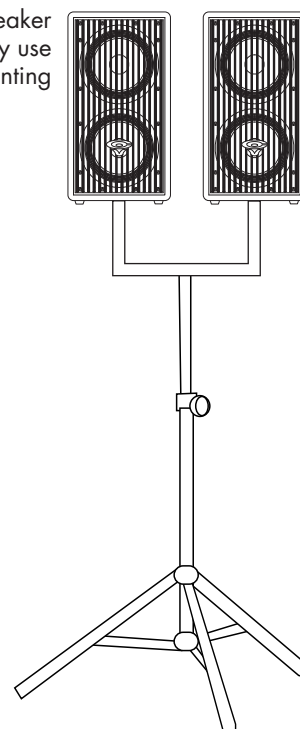
Dual Sub - Six Top Configuration: Three CVA-28s mounted on a CVA-121 active subwoofer using the CVANT-3A triple speaker mount. Two CVPOLE-1A accessory poles can be used, or a qualified pole from another manufacturer. For safety, only use poles rated to hold at least 100 pounds or 45 kilograms when mounting 3 units with two poles.



CVA-121 Dual Sub - Four Top Configuration: The CVPOLE-1A accessory pole can be used, or a qualified pole from another manufacturer. For safety, only use poles rated to hold at least 100 pounds (or 45 kilograms). Note that the CVA-121 has three pole cups for versatile configurations.



CVA-121 Single Sub - Four Top Configuration: Use the CVANT-2A dual speaker mount and a qualified third party floor standing speaker stand. For safety, only use speaker stands rated to hold at least 150 pounds or 68 kilograms when mounting 2 units on a single pole.



CERWIN-VEGA! SERIE ACTIVA PROFESIONAL

INTRODUCCIÓN

¡Felicitaciones! Bienvenido a la familia de Cerwin-Vega!. Usted se ha unido a un grupo creciente de profesionales del audio que han adoptado Cerwin-Vega! para obtener los sistemas de reproducción de audio más avanzados que se encuentran disponibles. Todos los sistemas Cerwin-Vega! se prueban rigurosamente para asegurar que cumplan o excedan nuestras especificaciones de funcionamiento. Con el respaldo del mejor servicio de toda la industria, Cerwin-Vega! está dedicado a la calidad y la confiabilidad. Para ver un panorama completo de los productos y servicios de Cerwin-Vega!, visite www.Cerwin-Vega.com

CONTENIDO

Antes de empezar - Información importante.....	7-8
Especificaciones.....	9
Controles del panel trasero, conectores e indicadores.....	10
Configuraciones del sistema.....	11-12
Información de contacto.....	Contracarátula

INSTRUCCIONES DE SEGURIDAD Y SÍMBOLOS IMPORTANTES

Explicación de los símbolos gráficos



El punto de exclamación dentro del triángulo equilátero tiene la finalidad de alertar a los usuarios de la presencia de instrucciones importantes de operación y mantenimiento (servicio) en el material impreso que acompaña al producto.



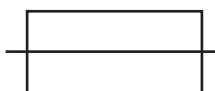
El relámpago con el símbolo de flecha, dentro de un triángulo equilátero, tiene la finalidad de alertar al usuario de la presencia de un "voltaje peligroso" aislado dentro de la caja de producto, voltaje que puede tener la magnitud suficiente para constituir un riesgo de electrocución para las personas.



PRECAUCIÓN: PARA REDUCIR EL RIESGO DE ELECTROCUCIÓN, NO RETIRAR LA TAPA. EL INTERIOR NO CONTIENE PIEZAS REPARABLES, POR EL USUARIO. EL SERVICIO DEBERÁ SER REALIZADO POR PERSONAL CALIFICADO.




ATTENTION: POUR EVITER LES RISQUES DE CHOC ELECTRIQUE, NE PAS ENLEVER LE COUVERCLE. AUCUN ENTRETIEN DE PIECES INTERIEURES PAR L'USAGER. CONFIER L'ENTRETIEN AU PERSONNEL QUALIFIE. AVIS: POUR EVITER LES RISQUES D'IN CENDIE OU D'ELECTROCUTION, N'EXPOSEZ PAS CET ARTICLE A LA PLUIE OU A L'HUMIDITE.



El símbolo de fusible de IEC que se muestra a la izquierda representa un fusible aprobado que el usuario puede reemplazar. Al reemplazar un fusible, reemplácelo por otro del tipo y amperaje nominal correctos..

Instrucciones importantes de seguridad

1. Lea y guarde estas instrucciones.
2. Obedezca todas las advertencias y siga las instrucciones.
3. No utilice este aparato en las cercanías del agua.
4. Límpielo únicamente con un paño seco.
5. No obstruya ninguna de las aberturas de ventilación.
6. No instale el producto cerca de fuentes de calor como los radiadores, registros de calefacción, cocinas u otros aparatos que generen calor.
7. No desactive la función de seguridad de un enchufe polarizado o con conexión a tierra. Un enchufe polarizado tiene dos patillas planas, una de las cuales es más ancha que la otra. El enchufe con puesta a tierra tiene dos patillas planas y una tercera patilla de puesta a tierra. La patilla más ancha o la tercera patilla tiene un propósito de seguridad. Si el enchufe provisto no calza en el tomacorriente, consulte a un electricista para hacer reemplazar el tomacorriente obsoleto.
8. Proteja el cable de alimentación eléctrica para que no quede apretado, particularmente en los enchufes, tomas de corriente, y en el punto dónde salen del producto.
9. Utilice solamente agregados y accesorios especificados por el fabricante.
10. Utilice el aparato únicamente con un carro, plataforma, abrazadera o mesa especificada por el fabricante o vendida junto con el aparato. Cuando utilice un carro, sea cuidadoso al mover el conjunto del carro y el aparato, a fin de evitar lesiones debidas al posible vuelco. 
11. Durante tormentas eléctricas, o cuando no vaya a usar el aparato durante mucho tiempo, desconéctelo de la corriente.
12. Todas las tareas de servicio deberán ser realizadas por personal de servicio calificado. Cuando el aparato ha sufrido cualquier tipo de daño, se requerirá el servicio. Los daños pueden incluir el cable de alimentación o el enchufe, líquidos derramados, objetos que caen en el aparato, exposición del aparato a la lluvia o la humedad, que el aparato no funcione normalmente o que se haya caído.
13. Para reducir el riesgo de incendio o electrocución, no exponga este aparato a la lluvia o a la humedad.
 - a.) El enchufe principal de alimentación se usa como dispositivo de desconexión. Debe permanecer en buen estado de funcionamiento y no debe obstruirse durante el uso que se dará al aparato.
 - b.) Este aparato no debe exponerse a goteras o salpicaduras, y no se deben colocar sobre el aparato, o cerca del mismo, objetos llenos de líquidos, por ejemplo, floreros.

CERWIN-VEGA! SERIE ACTIVA PROFESIONAL

ANTES DE EMPEZAR

Los altavoces Cerwin-Vega! a los que se refiere este manual están diseñados para aplicaciones portátiles en las cuales los altavoces se apilan directamente sobre el piso, escenario, una base sólida estable, o se montan en un trípode o un poste. Cerwin-Vega! no soporta la suspensión de los modelos de subwoofer a los que se refiere este manual, ni tienen estos modelos la finalidad de ser instalados en lugares fijos al aire libre o en ambientes de alta humedad. La humedad puede dañar el cono del altavoz y del surround y causar la corrosión de los contactos eléctricos. Evite exponer directamente los altavoces a la humedad. Mantenga los altavoces apartados de la luz solar extendida o directa intensa. La suspensión del excitador o driver se reseca prematuramente, y las superficies acabadas pueden degradarse a través de la exposición a largo plazo a la luz ultravioleta intensa.

Los altavoces activos Cerwin-Vega! pueden generar un nivel considerable de energía. Si se coloca sobre una superficie resbaladiza, por ejemplo un piso de madera pulida o de linóleo, el altavoz puede moverse debido a su propia energía mecánica. Se deben tomar precauciones para asegurar que el altavoz no caiga de un escenario o mesa donde se encuentra colocado.

Algunos altavoces activos Cerwin-Vega! incluyen un receptáculo que permite montar un altavoz satélite encima del subwoofer, utilizando para ello un vástago normal para altavoces. Cuando utilice un vástago estándar para altavoces, tome las siguientes precauciones:

- Lea la especificación del vástago para asegurarse de que esté diseñado para soportar el peso de los altavoces.
- Tome todas las precauciones de seguridad indicadas por el fabricante del vástago.
- Verifique siempre que el subwoofer esté colocado sobre una superficie plana, horizontal y estable.
- Encamine los cables de modo que los artistas, la cuadrilla de producción y la audiencia no tropiece en los mismos y arrastre y haga caer el altavoz.
- Sea siempre cuidadoso cuando haga viento al aire libre, ya que puede peligrar la estabilidad de todo el sistema.

Los altavoces activos Cerwin-Vega! pueden generar fácilmente niveles de presión de sonido suficientes para causar daños irreversibles al oído de los artistas, la cuadrilla de producción y los miembros de la audiencia. Es necesario tomar las debidas precauciones para evitar la exposición prolongada a niveles de presión de sonido superiores a 90 dB.

Precauciones para el amplificador integrado

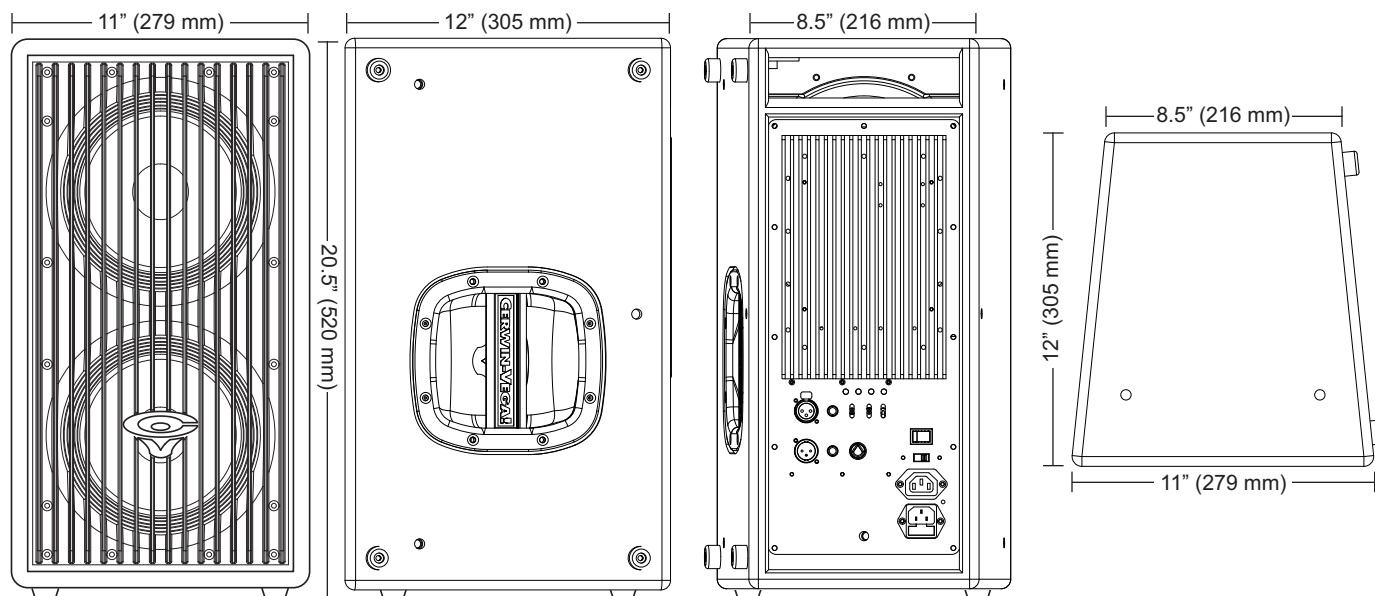
No intente reparar usted mismo esta unidad. Todo el servicio debe ser realizado por un Centro de Servicio Autorizado de Cerwin/Vega!/Stanton. Se requiere servicio cuando el aparato ha sufrido algún tipo de daño, por ejemplo, si se ha dañado el conector de entrada de alimentación eléctrica, si se ha derramado líquido, o si han caído objetos en el interior del aparato, si el aparato ha estado expuesto a la lluvia o a la humedad, si no funciona normalmente, o si se ha caído. Mantenga el módulo amplificador del subwoofer Cerwin-Vega! alejado de las fuentes de calor, por ejemplo, un radiador de calefacción o una cocina. No cubra ni rodee el módulo amplificador de subwoofer Cerwin-Vega! con materiales que puedan retener calor, por ejemplo, una manta o una cortina. Asegúrese de que las ventilaciones en el panel del módulo amplificador estén libres de cualquier obstrucción durante la operación.

Advertencia

Peligro de electrocución: Para reducir el riesgo de incendio o electrocución, no exponga este aparato a la lluvia o a la humedad. No sumerja el módulo amplificador del subwoofer Cerwin-Vega! en ningún líquido. No utilice el sistema de altavoces autoalimentado Cerwin-Vega! cerca de una piscina, bañera o cualquier otro sitio donde haya agua estancada. No anule o inutilice los medios de puesta a tierra o polarización utilizados en el módulo amplificador Cerwin-Vega!. Verifique que todas las patillas planas del enchufe polarizado puedan introducirse totalmente en el tomacorriente u otro punto de conexión eléctrica que será utilizado con la unidad. El módulo amplificador Cerwin-Vega! debe limpiarse únicamente con un paño seco. Cuide bien el cable de alimentación unido al módulo amplificador Cerwin-Vega!. Evite las situaciones en que el cable podría estirarse, o quedar apretado, o sufrir cualquier otro tipo de abuso. Encamine el cable de forma de evitar el tráfico de personas. Preste particular atención al conector del cable y a los puntos de unión.

CERWIN-VEGA! SERIE ACTIVA PROFESIONAL

ESPECIFICACIONES

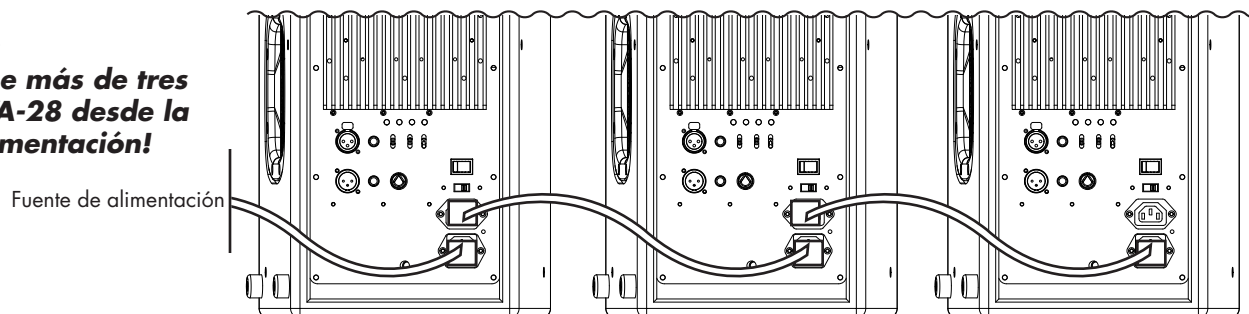


Altavoz activo de gama completa

Tipo de sistema	Doble altavoz activo de 8 pulgadas y gama completa	
Potencia máxima	Continua	400 vatios
	Máxima	800 vatios
Respuesta de frecuencia (± 3 dB)	70 Hz - 20 kHz	
Rango de frecuencias (-10 dB)	60 Hz - 20 kHz	
Máx. SPL	128 dB at 800 watts	
Sensibilidad (1 w/1 m)	99 dB	
Driver alta frec. bobina de voz	CD34B	34mm
Driver, baja y media frec. bobina de voz	FR8C, 8 pulgadas	2 pulgadas
Driver de baja frec. bobina de voz	FR8B, 8 pulgadas	2 pulgadas
Construcción	Madera dura multicapa	
Acabado	Pintura o alfombra de poliuretano Cool-X®	
Dimensiones (altura x ancho x profundidad)	20.5 pulgadas x (frente) 11 pulgadas (parte posterior) 8.5 pulgadas x 12 pulgadas 520 mm x (frente) 279 mm (parte posterior) 216 mm x 305 mm	

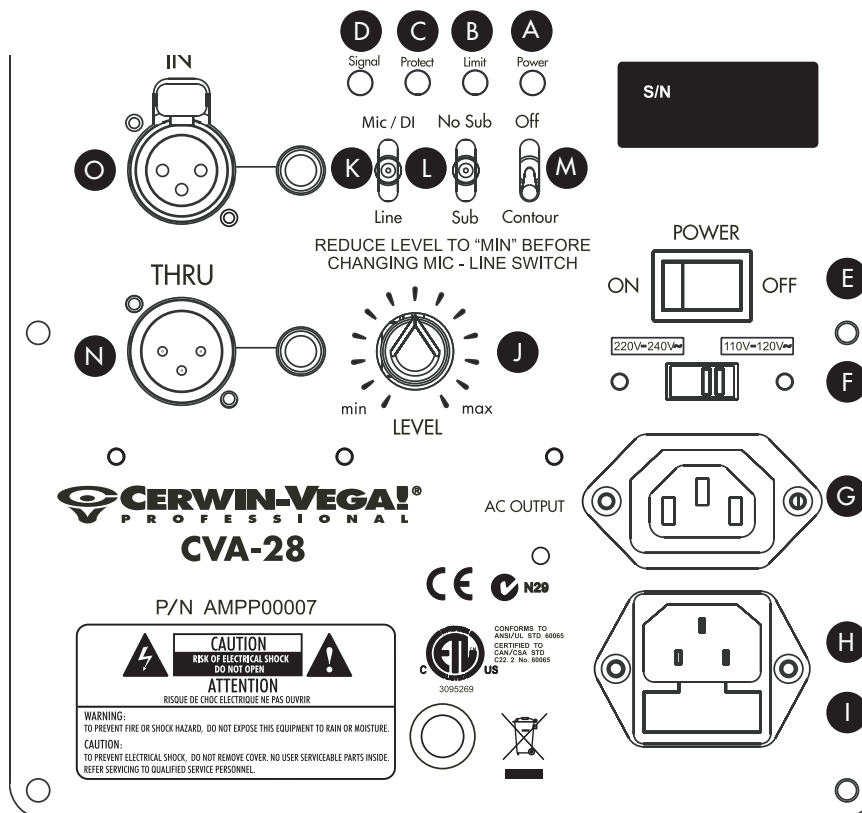
Peso neto	48 lb (21.8 kg)
Módulo amplificador	
Potencia nominal	400 vatios / 800 vatios máx.
Conectores de entrada	XLR/F Balanceado 1/4 pulgadas TRS
Conectores de salida	XLR/M 1/4 pulgadas TRS
Controles	Level Line/Mic-D.I. No Sub/With Sub Contour/Off Alimentación Selector de voltaje
Ancho de haz nominal (-6 dB puntos SPL)	Horizontal 50° Vertical 50°

Advertencia:
¡No encadene más de tres unidades CVA-28 desde la fuente de alimentación!



CERWIN-VEGA! SERIE ACTIVA PROFESIONAL

CONTROLES DEL PANEL TRASERO, CONECTORES E INDICADORES

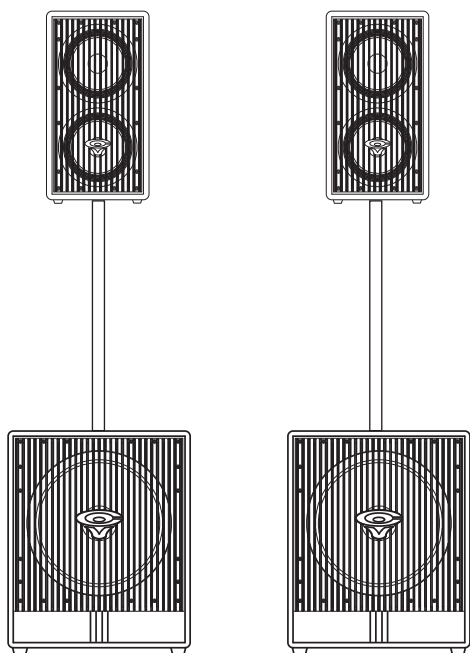


- A)** Indicador de alimentación: Se ilumina cuando se enciende el sistema.
- B)** Indicador de límite: Se ilumina cuando el limitador de protección está activo.
- C)** Indicador de protección: Se ilumina cuando el amplificador se ha apagado para autoprotgerse.
- D)** Indicador de señal: Hay una señal presente en la entrada.
- E)** Encendido-apagado: Enciende y apaga el sistema.
- F)** Selector de voltaje: Permite usar el sistema con voltajes de suministro de 110-120 voltios o 220-240 voltios.
Advertencia: No enchufe el sistema en un circuito de 220-240 voltios mientras el selector está en la posición de 110-120 voltios. ¡Utilice un fusible del valor y amperaje nominal correctos para el voltaje seleccionado!
- G)** Salida de CA: Se utiliza para alimentar uno o más altavoces CVA-28 adicionales. **¡NUNCA** encadene más de tres altavoces CVA-28 desde una misma fuente de alimentación!
- H)** Entrada de CA: Entrada para conectar un cable de alimentación IEC.
- I)** FUSIBLE: ¡Utilice un fusible del valor y amperaje nominal correctos para el voltaje seleccionado!
- J)** Level Control - Control de nivel: Ajusta la señal de entrada al amplificador.

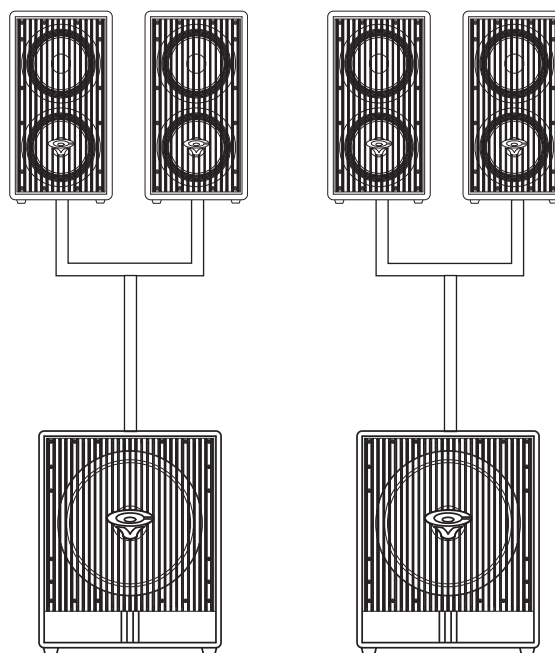
- K)** Line/Mic - Línea/Micrófono: El conector de entrada XLR y el conector de entrada de un cuarto de pulgada soportan señales balanceadas y desbalanceadas. Permite que la entrada acepte una señal de nivel de línea o de micrófono. Mic/DI es para la entrada directa de un micrófono o instrumento. Line es para una salida de nivel de línea de una fuente de audio, por ejemplo una mezcladora.
- L)** No Sub/Sub: Utilice la posición "No Sub" cuando no utilice un subwoofer dedicado. Esta posición ofrece más graves para uso de gama completa. Utilice la posición "Sub" cuando utilice un subwoofer dedicado. Esta posición reduce alguna información de baja frecuencia que podría interferir con las frecuencias del subwoofer, creando un sonido más "borroso" o menos definido. Para obtener los mejores resultados, experimente con este control. Al eliminar estas frecuencias de graves el CVA-28 también es capaz de producir un volumen más alto.
- M)** Off/Contour: Ofrece un circuito interno de ecualización alternativo que reduce la gama media. Si pone este interruptor en la posición On (activado) al reproducir con el CVA-28 a altos volúmenes, se reducirán las frecuencias de la gama media para obtener una respuesta más uniforme.
- N)** THRU: Esta señal THRU elude los controles y es una salida intermedia de la señal IN. Permite que la señal de IN sea encaminada a otro CVA-28. Observe que debe configurar los controles de cada CVA-28 de forma independiente.
- O)** IN: Los conectores balanceados XLR y TRS de 1/4 de pulgada aceptan señales de nivel de línea balanceadas o no balanceadas, o de nivel de micrófono. La señal en IN se pone en un buffer y se encamina a Thru.

CERWIN-VEGA! SERIE ACTIVA PROFESIONAL

Configuraciones del sistema: Uso del CVA-28 con el subwoofer activo CVA-118

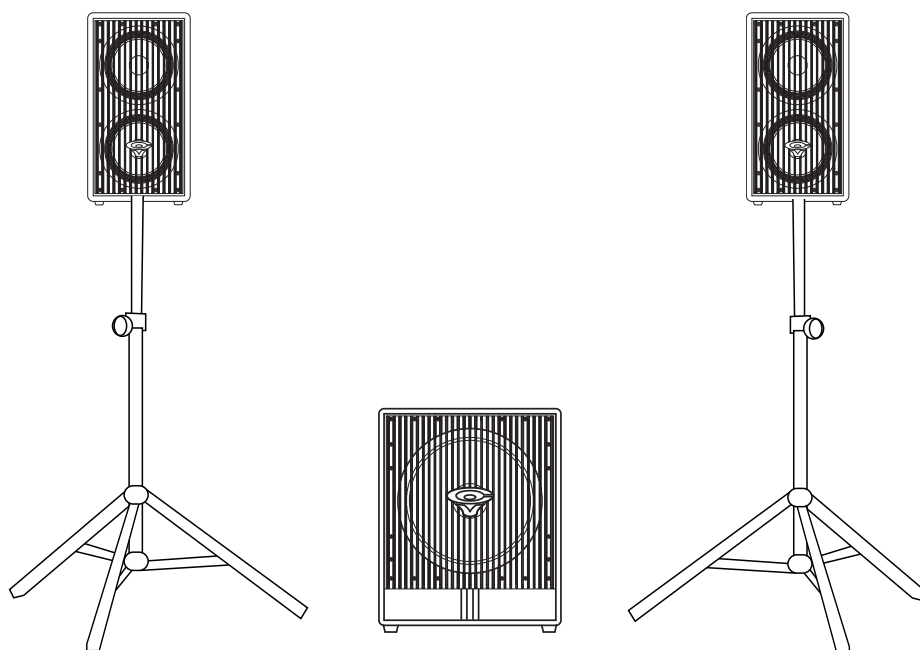


CVA-118 dos subwoofers – Configuración con dos arriba: Un CVA-28 montado sobre un subwoofer activo CVA-118. Se puede usar el vástago auxiliar CVPOLE-1A o un vástago aceptable de otro fabricante. Para mayor seguridad, utilice solamente vástagos capaces de soportar por lo menos 100 libras (45 kilogramos) de peso. Tenga en cuenta que el CVA-118 tiene un conector para vástago.



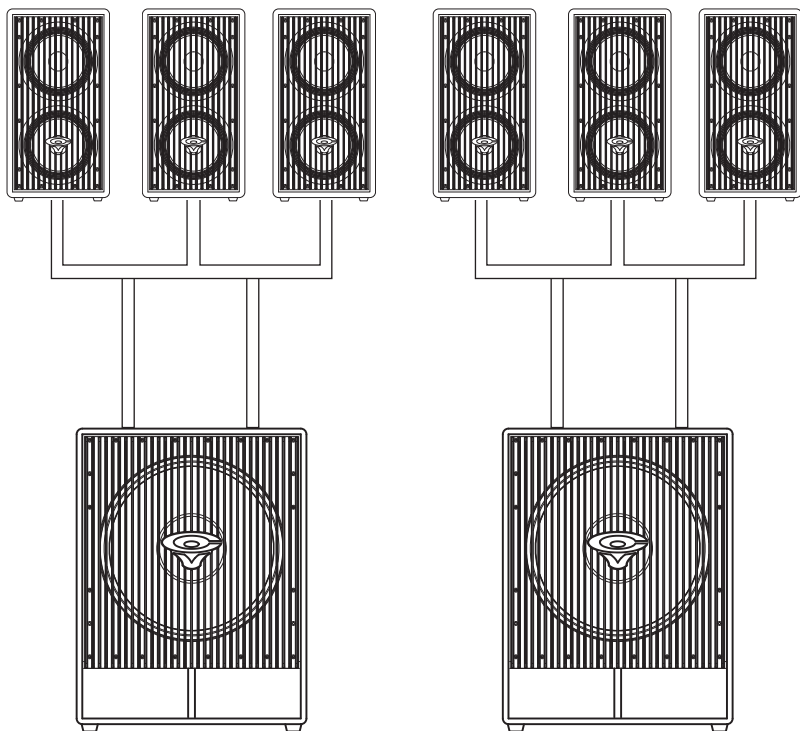
CVA-118 dos subwoofers – Configuración con cuatro arriba: Dos CVA-28 montados sobre un subwoofer activo CVA-118, usando el dispositivo de montaje CVANT-2A para dos altavoces. Se puede usar el vástago auxiliar CVPOLE-1A o un vástago aceptable de otro fabricante. Para mayor seguridad, utilice solamente vástagos capaces de soportar por lo menos 150 libras (68 kilogramos) de peso cuando monte 2 unidades en un mismo vástago. Tenga en cuenta que el CVA-118 tiene un conector para vástago.

CVA-118 Single Sub - Two Top Configuration: The same weight restrictions as in the above examples apply to floor mount speaker stands. For a single CVA-28 make sure your floor stand is rated to hold at least 100 lbs. or 45 kilograms.

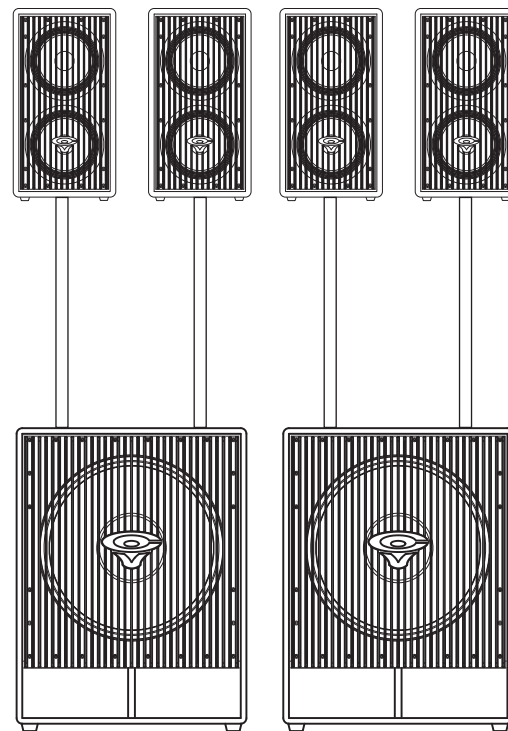


CERWIN-VEGA! SERIE ACTIVA PROFESIONAL

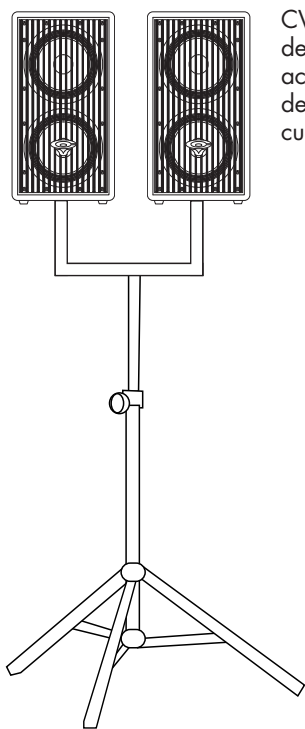
Configuraciones del sistema usando el CVA-28 con el subwoofer activo CVA-121



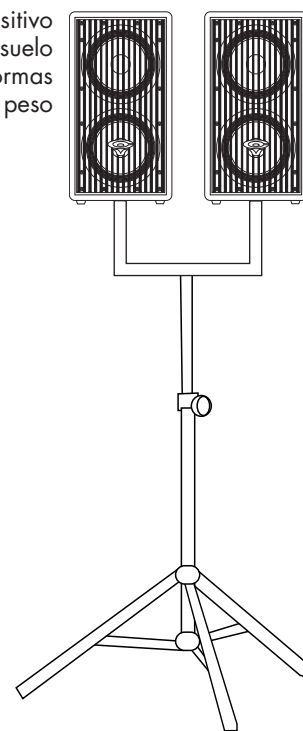
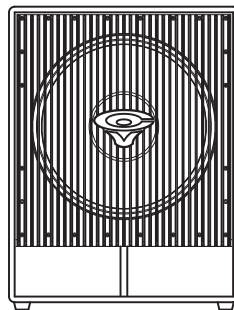
Dos subwoofers – Configuración con seis arriba: Tres CVA-28 montados sobre un subwoofer activo CVA-121, usando el dispositivo de montaje CVANT-3A para tres altavoces. Se pueden usar dos vástagos auxiliares CVPOLE-1A o un vástago aceptable de otro fabricante. Para mayor seguridad, utilice solamente vástagos capaces de soportar por lo menos 100 libras o 45 kilogramos de peso cuando monte 3 unidades en dos vástagos.



CVA-121 dos subwoofers – Configuración con cuatro arriba: Se puede usar el vástago auxiliar CVPOLE-1A o un vástago aceptable de otro fabricante. Para mayor seguridad, utilice solamente vástagos capaces de soportar por lo menos 100 libras o 45 kilogramos de peso. Tenga en cuenta que el CVA-121 tiene tres conectores para vástago para hacer configuraciones versátiles.



CVA-121 un sólo subwoofer – Configuración con cuatro arriba: Use el dispositivo de montaje CVANT-2A para dos altavoces y una plataforma de altavoces de suelo aceptable de otro fabricante. Para mayor seguridad, utilice solamente plataformas de suelo capaces de soportar por lo menos 150 libras o 68 kilogramos de peso cuando monte 2 unidades en un mismo vástago.



CERWIN-VEGA! SÉRIE PROFESSIONNELLE ACTIVE

INTRODUCTION

Félicitations! Bienvenue au sein de la famille Cerwin-Vega! Vous venez de rejoindre un groupe grandissant de professionnels de l'audio qui se sont tournés vers Cerwin-Vega! afin d'avoir accès aux systèmes de reproduction audio les plus avancés actuellement disponibles. Tous les systèmes Cerwin-Vega! sont testés minutieusement pour garantir qu'ils atteignent ou dépassent nos spécifications de performance. Désirant offrir le meilleur service à la clientèle de tout le secteur de l'audio, Cerwin-Vega! vous garantit la qualité et la fiabilité de ses produits. Pour avoir un aperçu général des produits et services Cerwin-Vega!, connectez-vous à www.Cerwin-Vega.com.

TABLE DES MATIÈRES

Avant de commencer – Renseignements importants	13-14
Spécifications.....	15
Commandes, connecteurs et indicateurs du panneau arrière	16
Configurations de système	17-18
Informations pour nous contacter	Couverture arrière

CONSIGNES DE SÉCURITÉ ET SYMBOLES IMPORTANTS

Explication des symboles



Le point d'exclamation situé dans un triangle équilatéral avertit les utilisateurs de lire des instructions importantes d'utilisation et d'entretien dans la documentation accompagnant le produit.



L'éclair avec une pointe de flèche dans un triangle équilatéral avertit l'utilisateur qu'il existe une « tension électrique dangereuse » isolée dans le boîtier du produit pouvant être suffisamment puissante pour occasionner un risque de choc électrique.



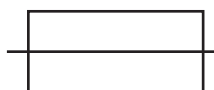
DO NOT EXPOSE TO RAIN OR MOISTURE!

CAUTION: TO REDUCE THE RISK OF ELECTRONIC SHOCK - DO NOT REMOVE COVER. NO USER SERVICEABLE PARTS INSIDE. REFER SERVICING TO QUALIFIED PERSONNEL.



NE PAS EXPOSER À LA PLUIE NI À L'HUMIDITÉ!

ATTENTION: POUR ÉVITER LES RISQUES DE CHOC ÉLECTRIQUE, NE PAS ENLEVER LE COUVERCLE. AUCUN ENTRETIEN DE PIÈCES INTÉRIEURES PAR L'USAGER. CONFIER L'ENTRETIEN AU PERSONNEL QUALIFIÉ. AVIS: POUR ÉVITER LES RISQUES D'INCENDIE OU D'ÉLECTROCUTION, N'EXPOSEZ PAS CET ARTICLE À LA PLUIE OU À L'HUMIDITÉ.



Le symbole de fusible de l'IEC représenté à gauche désigne un fusible pouvant être remplacé par l'utilisateur. Si vous remplacez un fusible, assurez-vous de le remplacer par un autre de capacité et de type appropriés.

Consignes de sécurité importantes

1. Lisez et conservez ces instructions.
 2. Observez tous les avertissements et conformez-vous aux instructions.
 3. N'utilisez pas cet appareil à proximité d'eau.
 4. Nettoyez uniquement avec un tissu sec.
 5. Faites attention de ne bloquer aucun orifice de ventilation.
 6. N'installez pas ce produit à proximité d'une source de chaleur (radiateur, bouche d'air chaud, cuisinière, etc.).
 7. N'altérez pas le dispositif de sécurité d'une fiche de connexion polarisée ou avec patte de mise à la terre. Les fiches polarisées possèdent deux pattes, dont une est plus large que l'autre. Les fiches avec mise à la terre possèdent une troisième patte conçue pour la mise à la terre. Cette troisième patte est importante pour votre sécurité. Si la fiche de connexion accompagnant le produit ne s'insère pas dans votre prise électrique, demandez à un électricien de la remplacer par une prise plus moderne.
 8. Faites attention que le cordon d'alimentation ne soit jamais écrasé ou plicaturé, particulièrement au niveau des prises et à la sortie du boîtier.
 9. Utilisez uniquement des accessoires autorisés par le fabricant.
 10. Utilisez ce produit uniquement sur une table, un chariot, un socle ou un support autorisé par le fabricant ou vendu avec le produit. Si vous utilisez un chariot, soyez prudent lorsque vous déplacez le chariot avec le produit pour éviter que le produit tombe et blesse quelqu'un.
 11. Débranchez le produit durant les orages électriques et durant les longues périodes de non utilisation.
 12. Confiez toutes les réparations à des techniciens qualifiés. Une réparation est nécessaire dès qu'un appareil est endommagé d'une façon quelconque. Cette consigne s'applique notamment si le cordon d'alimentation et la fiche de connexion sont endommagés, si un liquide est renversé sur l'appareil, si un objet tombe dans l'appareil, si l'appareil est exposé à la pluie ou à l'humidité, si l'appareil ne fonctionne pas normalement et si l'appareil tombe accidentellement.
 13. Pour réduire les risques d'incendie ou de choc électrique, n'exposez pas ce produit à la pluie ou à l'humidité.
- a.) La fiche de connexion à l'alimentation secteur sert aussi de sectionneur. Elle doit toujours demeurer entièrement fonctionnelle et son fonctionnement ne doit pas être entravé.
- b.) L'appareil ne doit pas être exposé à un égouttement ou à des éclaboussures. En outre, aucun objet rempli de liquide (notamment un vase de fleurs) ne doit être placé près de l'appareil.



CERWIN-VEGA! SÉRIE PROFESSIONNELLE ACTIVE

AVANT DE COMMENCER

Les haut-parleurs actifs Cerwin-Vega! décrits dans ce manuel sont conçus pour des utilisations portables au cours desquelles ils sont empilés directement sur le sol, sur une scène, sur une plate-forme stable et solide, sur un trépied ou sur un poteau. Cerwin-Vega! ne recommande pas de suspendre les modèles décrits dans ce manuel ni de les installer à l'extérieur ou dans des environnements très humides. L'humidité peut endommager le cône du haut-parleur ainsi que le dispositif d'ambiophonie et provoquer une corrosion des contacts électriques. Éviter d'exposer les haut-parleurs directement à l'humidité. Éviter leur exposition prolongée ou intense aux rayons du soleil. Une exposition prolongée à des rayons ultraviolets intenses peut faire sécher prématurément la suspension intérieure du haut-parleur et dégrader les surfaces finies.

Les haut-parleurs actifs Cerwin-Vega! peuvent générer une énergie considérable. Lorsqu'un haut-parleur est placé sur une surface glissante comme du bois ou du linoléum, il peut se déplacer par la force de ses propres vibrations mécaniques. Des précautions doivent être prises pour que le haut-parleur ne puisse tomber de la scène ou de la table sur laquelle il est placé.

Certains haut-parleurs actifs Cerwin-Vega! sont dotés d'un socle de fixation creux permettant d'installer un haut-parleur satellite sur le haut-parleur d'extrême grave avec l'aide d'une tige verticale standard pour haut-parleur. Si vous utilisez une tige de ce type, il est important de prendre les précautions suivantes:

- Vérifiez, en lisant ses spécifications, que ce dispositif puisse supporter le poids du haut-parleur.
- Observez toutes les consignes de sécurité spécifiées par le fabricant de la tige verticale de haut-parleur.
- Assurez-vous que le haut-parleur d'extrême grave est placé sur une surface plane, horizontale et stable.
- Faites passer les câbles de sorte que les interprètes, l'équipe de production et le public ne risquent pas de s'y accrocher et de faire tomber le haut-parleur.
- Redoublez toujours de prudence à l'extérieur, particulièrement lorsqu'il y a du vent. Un vent fort peut compromettre la stabilité globale du système.

Les haut-parleurs actifs Cerwin-Vega! peuvent facilement générer des niveaux de pression sonore capables de causer des lésions permanentes à l'ouïe des interprètes, des membres de l'équipe de production et du public. Des précautions doivent être prises pour éviter une exposition prolongée de l'ouïe à des pressions sonores dépassant 90 dB.

Précautions concernant les modèles avec amplificateur intégré

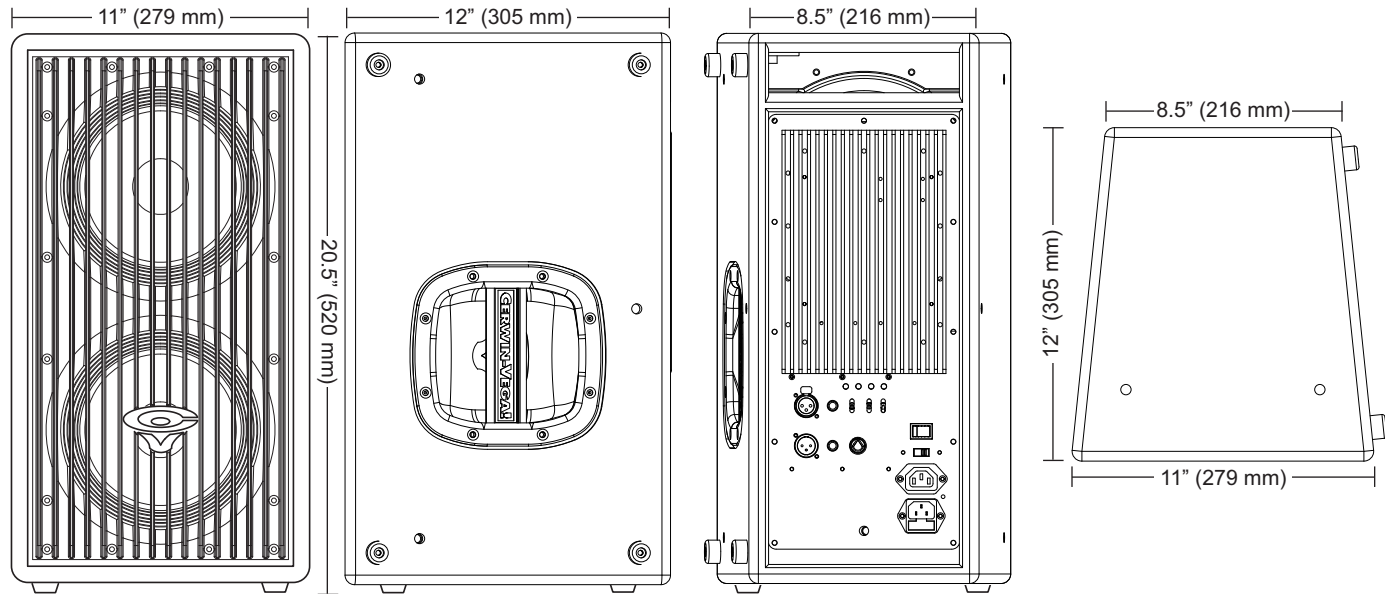
Ne tentez pas de réparer cet appareil. Confiez toutes les réparations à un centre de service autorisé Cerwin-Vega!/Stanton. Une réparation est nécessaire dès que le produit subit quelque dommage, notamment au niveau du cordon d'alimentation ou de la fiche de connexion, de même que si un liquide est renversé sur le produit, si des objets sont tombés dans le produit, si le produit a été exposé à la pluie ou à l'humidité, si le produit ne fonctionne pas normalement ou si le produit est tombé. Maintenez votre amplificateur de haut-parleur Cerwin-Vega! à bonne distance de toute source de chaleur (radiateur, four, etc.). Abstenez-vous de recouvrir ou d'entourer l'amplificateur de haut-parleur Cerwin-Vega! avec un matériau pouvant retenir la chaleur, notamment une couverture ou un rideau. Assurez-vous que les orifices de ventilation de l'amplificateur ne sont pas obstrués lorsque l'amplificateur fonctionne.

Avertissement

Danger de choc électrique : Pour réduire les risques d'incendie ou de choc électrique, n'exposez pas ce produit à la pluie ou à l'humidité. Ne trempez pas l'amplificateur Cerwin-Vega! dans un liquide. N'utilisez pas un système de haut-parleurs amplifiés Cerwin-Vega! près d'une piscine, d'une baignoire ou d'un autre volume d'eau. Ne tentez pas d'altérer ou d'éliminer le dispositif de polarisation ou de mise à la terre relié à l'amplificateur Cerwin-Vega! Assurez-vous que toutes les pattes de la fiche de connexion entrent bien dans la prise utilisée. L'amplificateur Cerwin-Vega! ne peut être nettoyé qu'avec un tissu sec. Faites attention au cordon d'alimentation connecté à l'amplificateur. Évitez les situations dans lesquelles le cordon risque d'être étiré, écrasé, plicaturé ou autrement endommagé. Faites passer le cordon à l'écart des personnes circulant à proximité. Faites particulièrement attention à la fiche de connexion et aux points de fixation du cordon.

CERWIN-VEGA! SÉRIE PROFESSIONNELLE ACTIVE

FICHE TECHNIQUE

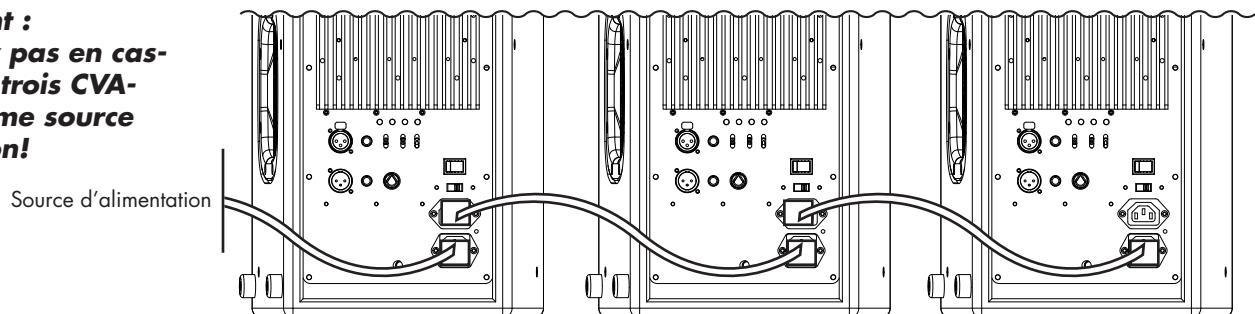


Haut-parleur actif à gamme étendue

Type de système	Deux haut-parleurs actifs de 8 pouces à gamme étendue
Puissance nominale	Continu : 400 watts Crête : 800 watts
Réponse en fréquence (± 3 dB)	70 Hz - 20 kHz
Gamme de fréquences (-10 dB)	60 Hz - 20 kHz
Pression sonore maximale	128 dB à 800 watts
Sensibilité (1w/1m)	99 dB
Circuit HF	CD34B
bobine acoustique	34mm
Circuit MBF	FR8C, 8 po
bobine acoustique	2 po (5,08 cm)
Circuit BF	FR8B, 8 po
bobine acoustique	2 po (5,08 cm)
Enceinte	Épaisseurs multiples de bois dur laminées
Finition	Peinture polyuréthane Cool-X® ou moquette
Dimensions (H x La x P)	20,5 po x (avant) 11 po (arrière) 8,5 po x 12 po 520 mm x (avant) 279 mm (arrière) 216 mm x 305 mm

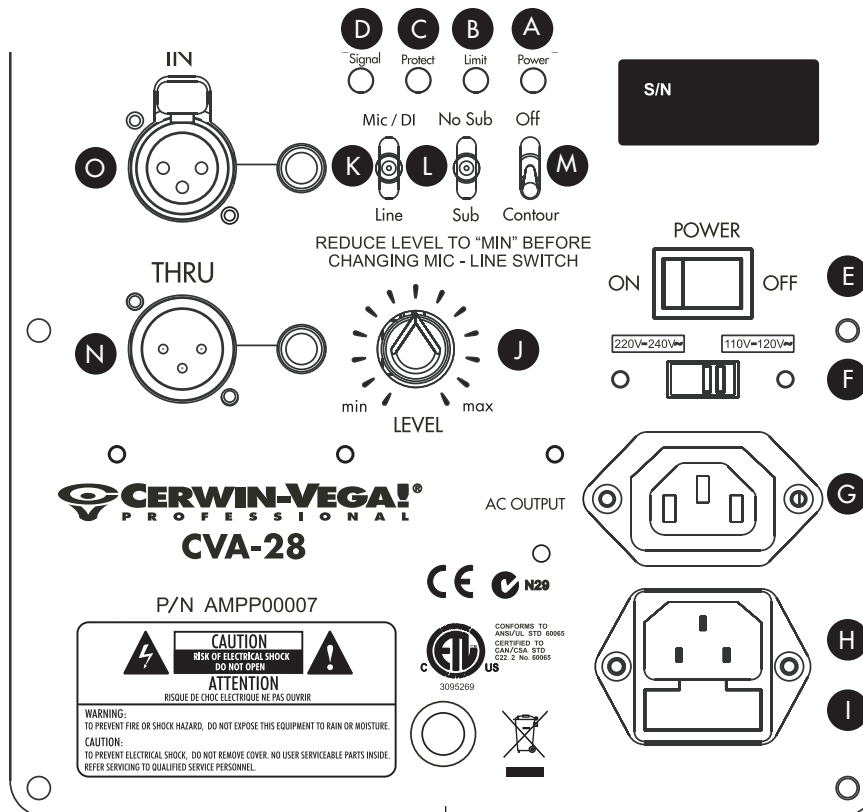
Poids net	48 lb (21,8 kg)
Amplificateur	
Puissance nominale	400 watts / 800 watts en crête
Connecteurs d'entrée	XLR/F équilibré TRS 1/4 po
Connecteurs de sortie	XLR/M TRS 1/4 po
Commandes	Niveau (level) Ligne/Micro - E.D. (Line/Mic-D.I.) Sans/avec haut-parleur d'extrême grave (No Sub / With Sub) Contour/désactivé (Contour/Off) Alimentation (Power) Sélecteur de tension
Largeur de faisceau nominale (-6 dB, points SPL)	Horizontale 50° Verticale 50°

Avertissement :
Ne connectez pas en cascade plus de trois CVA-28 sur la même source d'alimentation!



CERWIN-VEGA! SÉRIE PROFESSIONNELLE ACTIVE

COMMANDES, CONNECTEURS ET INDICATEURS DU PANNEAU ARRIÈRE



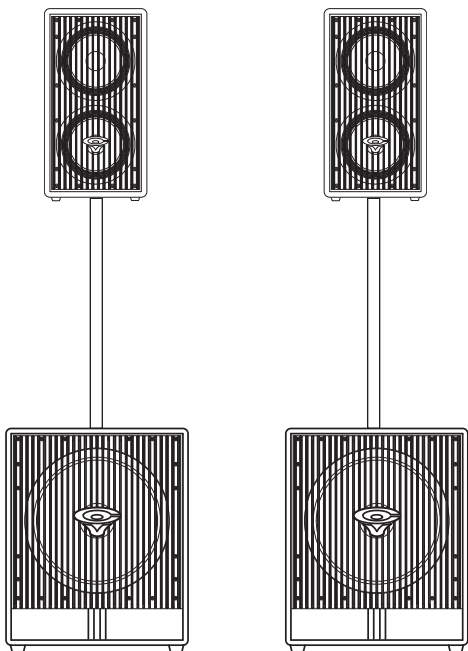
- A) Voyant d'alimentation : S'allume lorsque le système est sous tension.
- B) Voyant de limite : S'allume lorsque le limiteur de protection est actif.
- C) Voyant de protection : S'allume lorsque l'amplificateur s'éteint par mesure de protection.
- D) Voyant de signal : Un signal audio est présent sur l'entrée.
- E) Alimentation, marche/arrêt : Permet d'allumer et éteindre le système
- F) Sélecteur de tension : Permet au système de fonctionner sous une tension de 110-120 volts ou 220-240 volts.
Avertissement : Il ne faut jamais brancher le système sur un circuit de 220-240 volts si le sélecteur est placé sur 110-120 volts. Assurez-vous que la position du sélecteur et la capacité du fusible correspondent au courant utilisé!
- G) Sortie c.a. : Cette prise peut être utilisée pour faire fonctionner un ou deux CVA-28 supplémentaires. Il ne faut **JAMAIS** connecter en cascade plus de trois CVA-28 sur une même source d'alimentation!
- H) Entrée c.a. : Permet de brancher un cordon d'alimentation IEC.
- I) FUSIBLE : Assurez-vous que la position du sélecteur et la capacité du fusible correspondent au courant utilisé!
- J) Réglage de niveau : Permet de régler le signal d'entrée arrivant à l'amplificateur.
- K) Ligne/Micro (Line/Mic) : Les signaux symétriques et asymétriques sont pris en charge par le connecteur d'entrée XLR et par le connecteur d'entrée d'un quart de pouce. Permet au connecteur d'entrée d'accepter un signal de ligne ou un signal de micro. La position Mic/DI est prévue

pour un microphone ou une entrée directe d'instrument. La position Line est prévue pour une sortie de ligne provenant d'une source audio, notamment un tableau de mixage.

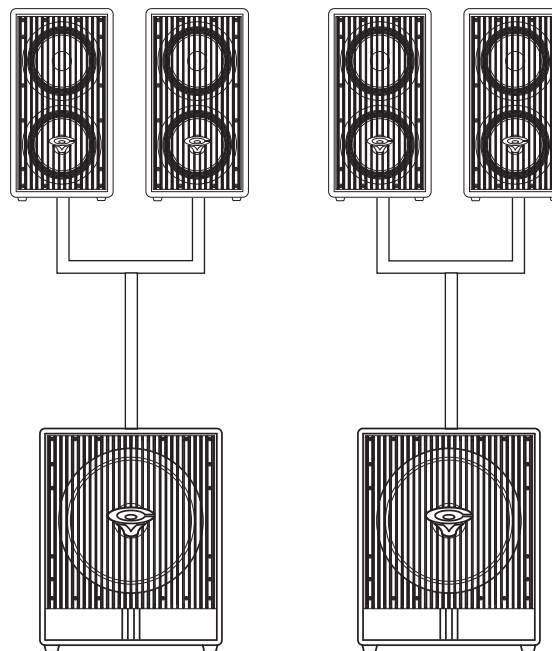
- L) No Sub/Sub : Utilisez la position « No Sub » si aucun haut-parleur d'extrême grave spécifique n'est utilisé. Cette position procure plus de basses pour un fonctionnement avec gamme étendue. Utilisez la position « Sub » si un haut-parleur d'extrême grave spécifique est utilisé. Cette position réduit certaines ondes en fréquence basse pouvant affecter les fréquences du haut-parleur d'extrême grave et créer un son moins net. Essayez les deux positions de cette commande et choisissez celle qui vous convient le mieux. La suppression de ces fréquences basses permet également au CVA-28 de fonctionner à un volume plus élevé.
- M) Off/Contour : Permet d'utiliser un circuit auxiliaire d'égalisation interne qui atténue la gamme moyenne. Si ce commutateur est placé en position d'activation lorsque le CVA-28 fonctionne à un volume élevé, les fréquences moyennes sont atténuées, ce qui permet d'obtenir une réponse plus uniforme.
- N) THRU : Ce signal THRU (direct) n'est pas affecté par la position des commandes et constitue une sortie tamponnée du signal d'entrée. Permet au signal arrivant à l'entrée (IN) d'être acheminé vers un autre CVA-28. Les commandes doivent être réglées indépendamment sur chaque CVA-28.
- O) IN : Les connecteurs XLR symétrique et TRS 1/4 po acceptent les signaux provenant d'une ligne symétrique/asymétrique ou d'une source de micro. Le signal arrivant à IN (entrée) est tamponné et acheminé vers THRU (direct).

CERWIN-VEGA! SÉRIE PROFESSIONNELLE ACTIVE

Configurations de système : CVA-28 avec haut-parleur actif d'extrême grave CVA-118

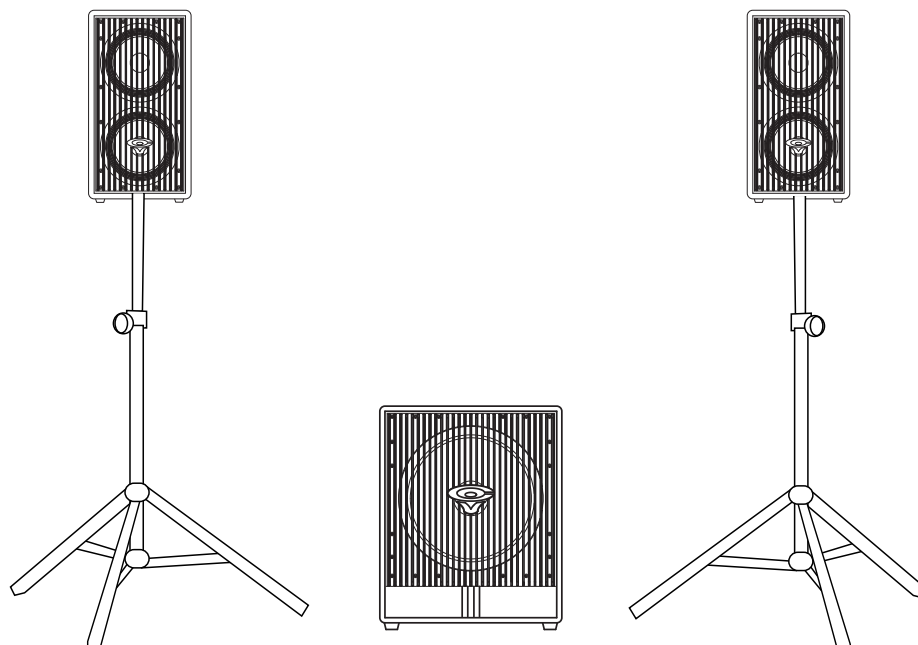


Deux CVA-118 (configuration supérieure double) : Un CVA-28 monté sur un haut-parleur actif d'extrême grave CVA-118. Utilisation d'un poteau optionnel CVPOLE-1A ou d'un autre poteau acceptable d'un autre fabricant. Par mesure de sécurité, utiliser des poteaux pouvant supporter au moins 45 kg (100 lb). Le CVA-118 possède une cavité de poteau.



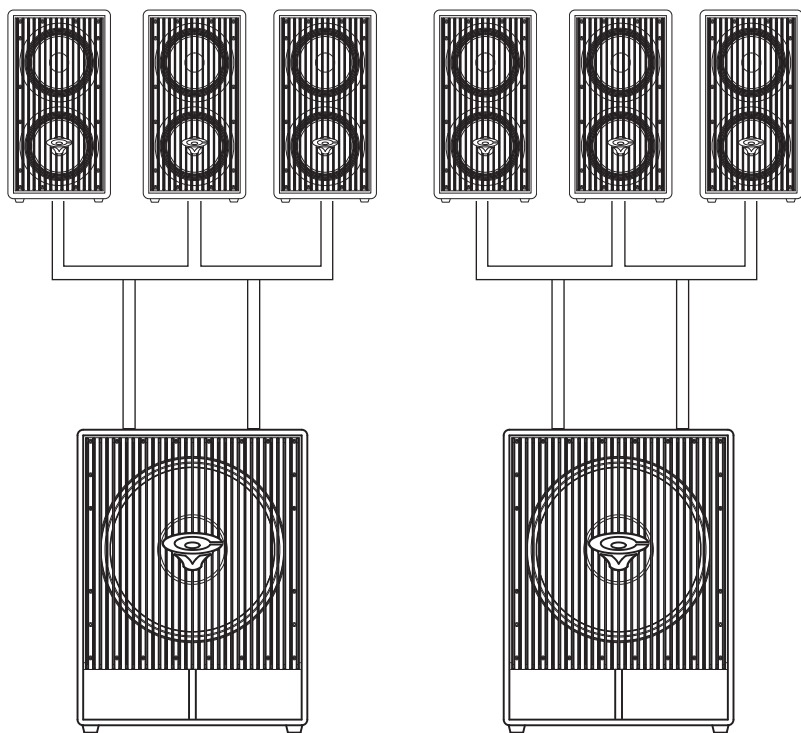
Deux CVA-118 (configuration supérieure quadruple) : Deux CVA-28 montés sur haut-parleur actif d'extrême grave CVA-118 avec un support pour deux haut-parleurs CVANT-2A. Utilisation d'un poteau optionnel CVPOLE-1A ou d'un autre poteau acceptable d'un autre fabricant. Par mesure de sécurité, lorsque deux CVA-28 sont installés sur un même poteau, ce dernier doit pouvoir supporter une charge de 68 kg (150 lb). Le CVA-118 possède une cavité de poteau.

Un CVA-118 (configuration supérieure double) : Les restrictions de poids des exemples ci-dessus s'appliquent également aux supports de haut-parleurs sur pied. Pour chaque CVA-28 installé, le support sur pied doit pouvoir supporter une charge d'au moins 45 kg (100 lb).

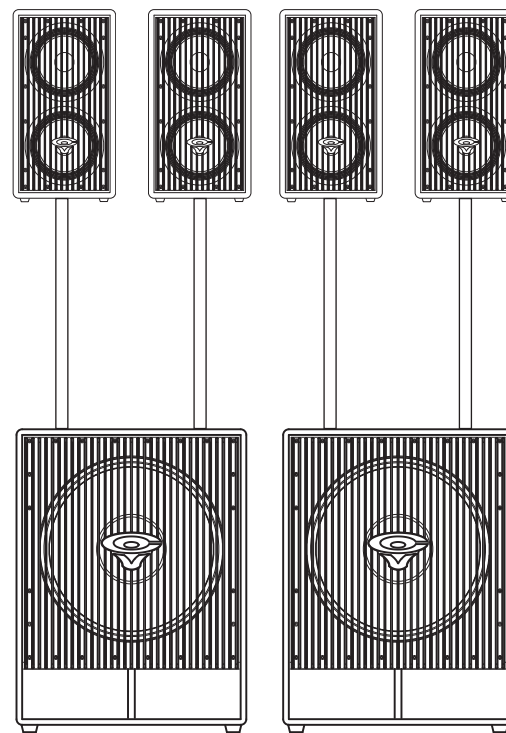


CERWIN-VEGA! SÉRIE PROFESSIONNELLE ACTIVE

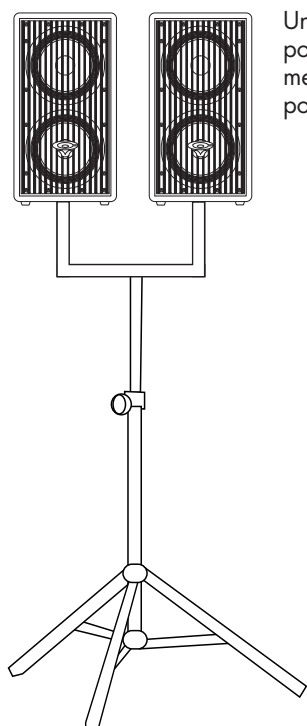
Configurations de système : CVA-28 avec haut-parleur actif d'extrême grave CVA-121



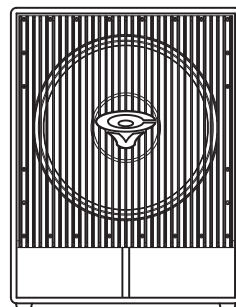
Deux CVA-121 (configuration supérieure sextuple) : Trois CVA-28 montés sur haut-parleur actif d'extrême grave CVA-121 avec un support pour trois haut-parleurs CVANT-3A. Utilisation de deux poteaux optionnels CVPOLE-1A ou d'un autre poteau acceptable d'un autre fabricant. Par mesure de sécurité, lorsque trois CVA-28 sont installés sur deux poteaux, ces derniers doivent pouvoir supporter une charge de 68 kg (150 lb).



Deux CVA-121 (configuration supérieure quadruple) : Utilisation d'un poteau optionnel CVPOLE-1A ou d'un autre poteau acceptable d'un autre fabricant. Par mesure de sécurité, utiliser des poteaux pouvant supporter au moins 45 kg (100 lb). Le CVA-121 possède trois cavités de poteaux permettant de choisir différentes configurations.



Un CVA-121 (configuration supérieure quadruple) : Utiliser un support CVANT-2A pour deux haut-parleurs et un support sur pied acceptable d'un autre fabricant. Par mesure de sécurité, lorsque deux CVA-28 sont installés sur un même poteau, les supports de haut-parleurs doivent pouvoir supporter une charge de 68 kg (150 lb).





USA: The Stanton Group • 3000 SW 42nd Street, • Hollywood, FL • 33312
Phone: 1-954-316-1501 • Fax: 1-954-316-1590 • Email: info@Cerwin-Vega.com
Europe: Stanton Europe • 382 Avenue de la Couronne, 1050 Brussles, Belgium
Phone: +32 2 645 05 00 • Fax: +32 2 645 05 05 • Email: eurooffice@stantoneurope.com
Cerwin-Vega! is a division of the Stanton Group

Cerwin-Vega! reserves the right to make changes to product specifications and design at any time
© Copyright 2007 Cerwin-Vega!

LITP00025

Free Manuals Download Website

<http://myh66.com>

<http://usermanuals.us>

<http://www.somanuals.com>

<http://www.4manuals.cc>

<http://www.manual-lib.com>

<http://www.404manual.com>

<http://www.luxmanual.com>

<http://aubethermostatmanual.com>

Golf course search by state

<http://golfingnear.com>

Email search by domain

<http://emailbydomain.com>

Auto manuals search

<http://auto.somanuals.com>

TV manuals search

<http://tv.somanuals.com>