

U S E R ' S M A N U A L

4 CHANNEL
FORM-C
POWER RELAY
M-MODULE

MODEL
M222

(FORMERLY
HP E2274A)

Document Part No: 11029574

COPYRIGHT

C&H Technologies, Inc. (C&H) provides this manual "as is" without warranty of any kind, either expressed or implied, including but not limited to the implied warranties of merchantability and fitness for a particular purpose. C&H may make improvements and/or changes in the product(s) and/or program(s) described in this manual at any time and without notice.

This publication could contain technical inaccuracies or typographical errors. Changes are periodically made to the information herein; these changes will be incorporated in new editions of this publication.

Copyright © 2007 by C&H Technologies, Inc.

Portions of this manual have been copied from relevant Hewlett-Packard (Agilent) User Manual's with their expressed written permission. The information and/or drawings set forth in this document and all rights in and to inventions disclosed herein which might be granted thereon disclosing or employing the materials, methods, techniques, or apparatus described herein, are the exclusive property of C&H Technologies, Inc.

A Reader's Comment Form is provided at the back of this publication. If this form has been removed address comments to:

C&H Technologies, Inc.
Technical Publications
445 Round Rock West Drive
Austin, Texas 78681-5012

Or visit our web site for support information at:

<http://www.chtech.com>.

C&H may use or distribute any of the information you supply in any way that it believes appropriate without incurring any obligations.

AMENDMENT NOTICE

C&H Technologies, Inc. makes every attempt to provide up-to-date manuals with the associated equipment. Occasionally, changes are made to the equipment wherein it is necessary to provide amendments to the manual. If any amendments are provided for this manual they are printed on colored paper and will be provided with the module and manual. Manual updates may also be found on our web site at www.chtech.com.

NOTE

The contents of any amendment may affect operation, maintenance, or calibration of the equipment.

INTRODUCTION

This manual describes the operation and use of the C&H Model M222 4 Channel Form C Power Relay M-Module (Part Number 11029570). This module was formerly manufactured by HP (Agilent) as Model E2274A. C&H obtained the manufacturing rights from Agilent and now manufactures it as C&H Model M222. This mezzanine module is designed to interface within any M/MA-Module carrier adhering to the ANSI/VITA 12-1996 M-Module specification. These carriers are available in many formats such as Ethernet, VME, VXI, PXI, cPCI, and the PC.

Contained within this manual are the physical and electrical specifications, installation and startup procedures, functional description, and configuration and programming guidelines to adequately use the product.

This manual is based on a low level register access, and is written in such a manner to provide understanding to the user based on this type of access. If a driver is provided, please refer to the driver documentation for instruction using the higher level interface provided by the driver.

TABLE OF CONTENTS

1.0 GENERAL DESCRIPTION.....	1
1.1 PURPOSE OF EQUIPMENT	1
1.2 SPECIFICATIONS OF EQUIPMENT	1
1.2.1 Key Features	1
1.2.2 Specifications	2
1.2.3 Mechanical.....	3
1.2.4 Bus Compliance	3
1.2.5 Applicable Documents.....	3
2.0 INSTALLATION.....	5
2.1 UNPACKING AND INSPECTION	5
2.2 HANDLING PRECAUTIONS	5
2.3 INSTALLATION OF M/MA MODULES.....	5
2.4 PREPARATION FOR RESHIPMENT.....	6
3.0 FUNCTIONAL DESCRIPTION	7
3.1 OVERVIEW	7
3.1.1 M-Module Interface	7
3.1.2 ID EEPROM.....	7
3.2 IDENTIFICATION AND CONFIGURATION REGISTERS	8
3.2.1 I/O Registers.....	8
3.2.2 Module Identification	10
4.0 OPERATION.....	11
4.1 RELAY OPEN/CLOSE.....	11
4.2 INTERRUPTS	11
APPENDIX A: CONNECTORS	A-1

LIST OF FIGURES

Figure 1. M-MODULE Installation	5
Figure 2. Switching Schematic	7
Figure 3. I/O Registers	9
Figure 4. Effects of Opening/Closing Relay	11
Figure A-1. Front Panel I/O Signals.....	A-1

LIST OF TABLES

Table I. Specifications	2
Table II. I/O Address Map/Command Summary	8
Table III. M/MA Module PROM IDENT Words.....	10

1.0 GENERAL DESCRIPTION

The M222 provides 4 individual Form C (SPDT) channels for general purpose switching and control of external devices on a single wide M-Module adhering to the ANSI/VITA 12-1996 specification for M-Modules. With its 5 ADC per channel current rating, it can be used to switch external power supplies. The module may be installed on any carrier board supporting the M-Module specification. Carriers are available that allow the module to be used in Ethernet (LXI), VXI, VME, PCI, cPCI, PXI and other system architectures.

1.1 PURPOSE OF EQUIPMENT

The M222 can connect multiple instruments to multiple points in your test system. This provides flexible interconnection between test points, instrumentation, factory automation, and test fixtures.

CAUTION: This module DOES NOT have provisions for on-board current limiting components (if input current can exceed 5A DC or 5A AC, you must install external current limiting circuitry)

1.2 SPECIFICATIONS OF EQUIPMENT

1.2.1 Key Features

- Four (4) Individual Form C (SPDT) Power Relays
- Non-latching Relays
- Single-wide M module provides high density and maximum flexibility of configuration

1.2.2 Specifications

The M222 incorporates the standard 40-pin, 20x2 row connector interfaces to the carrier board for power and data/control, but does not have the 24-pin optional connector for carrying user-connections back onto the carrier board.

The user input/output is provided through a standard 44-pin D-subminiature female receptacle. A mating connector kit can be ordered separately as AM111 (C&H Part Number 11029700-0001). CONEC part number 302A10889X (or equivalent) is used on the assembly. The connector pin-outs are shown in Appendix A.

Table I. Specifications

MAXIMUM RATINGS

Parameter	Condition	Rating	Units
Voltage	Clean room Environment (any terminal to any other terminal)	125	VDC
		141	VAC rms
		200	VAC peak
	Non-Clean room Environment (any terminal to any other terminal)	60	VDC
		43	VAC rms
		68	VAC peak
Current (non-inductive)	Per Switch, DC Per Switch, AC Per Switch, AC	5	A
		3.53	A rms
		5	A peak
Power	Per Switch, DC Per Switch, AC Per Module, DC Per Module, AC	100	W
		100	VA
		300	W
		300	VA
Thermal Offset		< 20	μ V typ

RESISTANCE

Parameter	Condition	Rating	Units
Closed Channel	End of Life	< 2	Ω
Insulation	Between any two points $\leq 40^\circ\text{C}$, $\leq 65\%$ relative humidity $\leq 25^\circ\text{C}$, $\leq 40\%$ relative humidity	10^8	Ω typ
		10^8	Ω typ.

RELAYS

Parameter	Condition	Rating	Units
Relay Life	No load	5×10^7	operations
	Rated load	3.5×10^4	operations
Time to open/close	register programming	16	ms

AC

Parameter	Condition	Rating	Units
Bandwidth	-3dB	10	MHz typ
Channel-to-Channel Crosstalk	<100KHz	<-80	dB
	<1MHz	<-60	dB
	<10MHz	<-40	dB
Closed Channel Capacitance	Channel-to-Channel	25	pF typ
	Channel-to-Common	60	pFtyp

1.2.3 Mechanical

The mechanical dimensions of the module are in conformance with ANSI/VITA 12-1996 for single-wide M-Module modules. The nominal dimensions are 5.687” (144.5 mm) long × 2.082” (52.9 mm) wide.

1.2.4 Bus Compliance

The module complies with the ANSI/VITA 12-1996 Specification for single-wide M-Modules and the MA-Module trigger signal extension. The module also supports the optional IDENT and VXI-IDENT functions.

Module Type:	M-Module
Addressing:	A08
Data:	D16
Interrupts:	supported
DMA:	not supported
Triggers:	not supported
Identification:	IDENT
Manufacturer ID:	0FFF ₁₆ (See note below)
Model Number:	068A ₁₆
VXI Model Number:	025F ₁₆

Note: C&H obtained the manufacturing rights from Hewlett Packard (Agilent) for this module. The ID's have been retained as Hewlett Packard to provide compatibility with existing SW drivers.

1.2.5 Applicable Documents

ANSI/VITA 12-1996 Standard for The Mezzanine Concept M-Module Specification, Approved May 20, 1997, American National Standards Institute and VMEbus International Trade Association, 7825 E. Gelding Dr. Suite 104, Scottsdale, AZ 85260-3415, <http://www.vita.com>

2.0 INSTALLATION

2.1 UNPACKING AND INSPECTION

Verify that there has been no damage to the shipping container. If damage exists then the container should be retained, as it will provide evidence of carrier caused problems. Such problems should be reported to the shipping courier immediately, as well as to C&H. If there is no damage to the shipping container, carefully remove the module from its box and anti static bag and inspect for any signs of physical damage. If damage exists, report immediately to C&H.

2.2 HANDLING PRECAUTIONS

The module contains components that are sensitive to electrostatic discharge. When handling the module for any reason, do so at a static-controlled workstation, whenever possible. At a minimum, avoid work areas that are potential static sources, such as carpeted areas. Avoid unnecessary contact with the components on the module.

2.3 INSTALLATION OF M/MA MODULES

All M-Modules must be installed into the carrier before the carrier is installed into the host system. To install a module, firmly press the connector on the M/MA-Module together with the connector on the carrier as shown in Figure 1. Secure the module through the holes in the bottom shield using the original screws.

CAUTION: M/MA-Module connectors are NOT keyed. Use extra caution to avoid misalignment. Applying power to a misaligned module can damage the M/MA-Module and carrier.

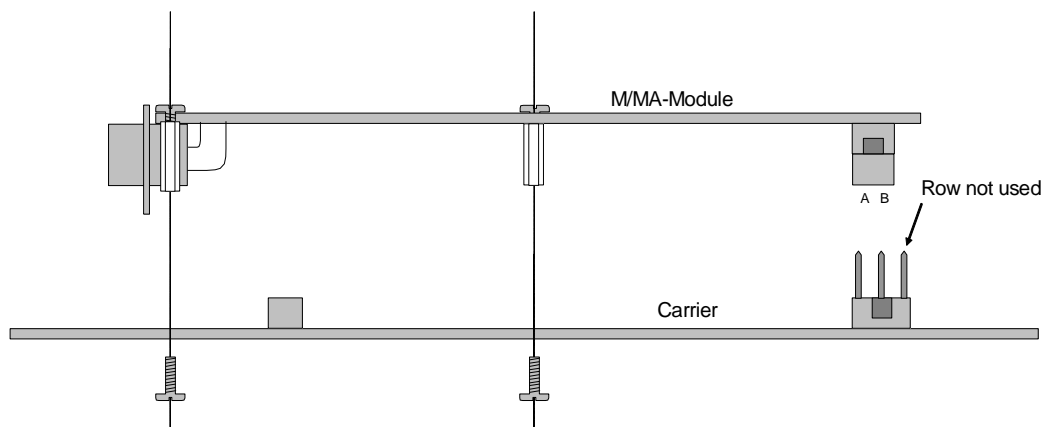


Figure 1. M-MODULE Installation

2.4 PREPARATION FOR RESHIPMENT

If the module is to be shipped separately it should be enclosed in a suitable water and vapor proof anti-static bag. Heat seal or tape the bag to insure a moisture-proof closure. When sealing the bag, keep trapped air volume to a minimum. The shipping container should be a rigid box of sufficient size and strength to protect the equipment from damage. If the module was received separately from a C&H system, then the original module shipping container and packing material may be re-used if it is still in good condition.

3.0 FUNCTIONAL DESCRIPTION

3.1 OVERVIEW

A simplified switching schematic is shown in Figure 2.

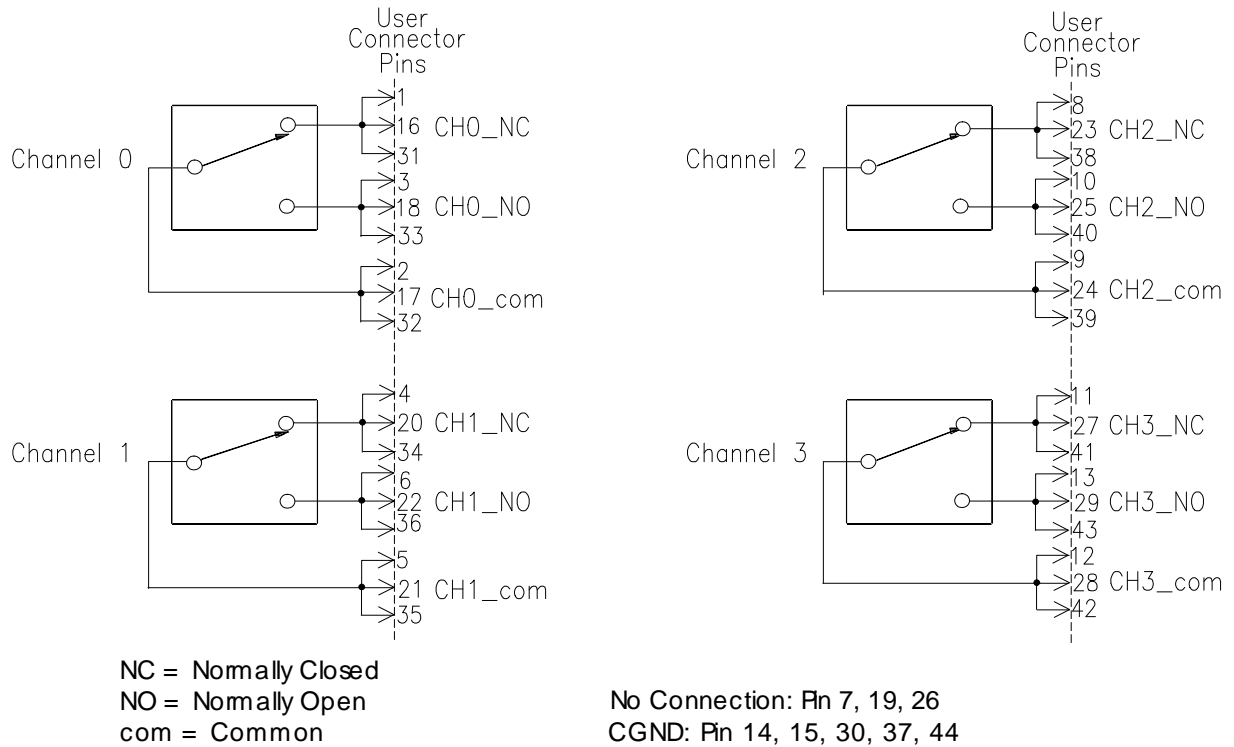


Figure 2. Switching Schematic

3.1.1 M-Module Interface

An M-Module interface allows communication between the M222 and the carrier module. The interface is an asynchronous 16-bit data bus with interrupt capabilities. The interface adheres to the ANSI/VITA 12-1996 Standard for The Mezzanine Concept M-Module Specification for MA modules.

3.1.2 ID EEPROM

An EEPROM holds sixty-four 16-bit words of M-Module ID data and VXI M-Module data. Refer Section 3.2.2 for more details.

3.2 IDENTIFICATION AND CONFIGURATION REGISTERS

3.2.1 I/O Registers

There are a variety of registers used to configure and control the M222 module. These registers are located in the IOSpace. The address map of the registers is shown in Table II. Details of the registers are provided in Figure 3.

Table II. I/O Address Map/Command Summary

Offset (hex)	Register Name	Register Type
00	Status Register	Read Only
02	Control Register	Read/Write
04	Interrupt	Read Only
06 – 12	Reserved	NA
14	Relay	Read/Write
16 – FC	Reserved	NA
FE	ID EEPROM	Read/Write

Reg. 00

Status

Bit	15	14	13	12	11	10	9	8	7	6	5	4	3	2	1	0
Write	Read-only															
Read	Not Used							BUSY	Not Used							RIRQ

BUSY ⇒ Relay Busy ¹ (0 = relay is busy, not stable yet (busy for 16mS after Relay Register is written))
 RIRQ ⇒ Relay Interrupt ² (1 = interrupt pending)

Notes:

1. This BUSY bit is re-triggerable.
2. Reading this register does not clear a pending interrupt (RIRQ).

Reg. 02

Control

Bit	15	14	13	12	11	10	9	8	7	6	5	4	3	2	1	0
Write	Not Used														REN	SRST
Read	Not Used														REN	SRST

REN ⇒ Enable Relay Interrupt (1 = enables relay interrupt (after BUSY timer))
 SRST ⇒ Soft Reset (1 = initiates a soft reset)

Reg. 04

Interrupt

Bit	15	14	13	12	11	10	9	8	7	6	5	4	3	2	1	0
Write	Not Used															
Read	Not Used															RIRQ

RIRQ ⇒ Relay Interrupt (1 = interrupt pending)

Note: Reading this register clears a pending interrupt.

Reg. 14

Relay

Bit	15	14	13	12	11	10	9	8	7	6	5	4	3	2	1	0
Write	Not Used												CH3	CH2	CH1	CH0
Read	Not Used												CH3	CH2	CH1	CH0

CH0 – CH3 ⇒ Channel (1 = channel open (COM-NC), 0 = channel closed (COM-NO))

Reg. FE

ID EEPROM

Bit	15	14	13	12	11	10	9	8	7	6	5	4	3	2	1	0	
Write	Unused														CS	CLK	I/O
Read	1	1	1	1	1	1	1	1	0	0	0	0	0	0	0	I/O	

I/O ⇒ Data In/Out (value from the Data Out pin of the ID EEPROM)
 CLK ⇒ Clock (1 = forces the SK pin of the ID EEPROM high, 0 = low)
 CS ⇒ Chip Select (1 = selects the ID EEPROM, 0 = deselects the ID EEPROM)

Notes:

1. The ID EEPROM register allows you to access the contents of the ID EEPROM which contains sixty-four 16-bit words of M-Module ID and VXI M-Module data.
2. CAUTION: Do not attempt to write to Bit00 of the ID EEPROM register. You could overwrite the contents of the EEPROM.

Figure 3. I/O Registers

3.2.2 Module Identification

The M222 supports the identification function called IDENT. This IDENT function provides information about the module and is stored in a sixteen-word deep (32 byte) serial PROM. Access is accomplished with read/write operations on the last address in IOSpace (hex FE) and the data is read one bit at a time. The PROM is compatible with a standard IC 9603 type PROM. For specific timing information refer to the 9603 or compatible PROM data sheet. Data should not be written to the PROM.

The module also supports the VXI-IDENT function. This function is not part of the approved ANSI/VITA 12-1996 standard. This extension to the M-module IDENT function increases the size of the PROM to 64 words and includes VXI compatible ID and Device Type Registers. Details are shown in Table III.

Table III. M/MA Module PROM IDENT Words

Word	Description	Value (hex)
0	Sync Code	5346
1	Module Number	068A
2	Revision Number ¹	0002
3	Module Characteristics ²	1868
4-7	Reserved	0000
8-15	M-Module Specific	0000
16	VXI Sync Code	ACBA
17	VXI ID	0FFF ³
18	VXI Device Type ³	F25F
19-31	Reserved	0000
32-63	M-Module Specific	0000

Notes:

- 1) A Revision Number greater than 1 indicates that the module was manufactured by C&H Technologies.
- 2) The Module Characteristics bit definitions are:

Bit(s)	Description
15	0 = no burst access
14/13	unused
12	0 = needs ±12V
11	1 = needs +5V
10	0 = no trigger outputs
9	0 = no trigger inputs
8/7	00 = no DMA requestor
6/5	11 = interrupt type
4/3	01 = 16-bit data
2/1	00 = 8-bit address
0	0 = no memory access

- 3) The VXI ID of 0xFFF is the identification value for Hewlett-Packard. C&H has left the ID equal to this value to allow operation with existing E2274A software drivers. The revision number (see note 1) can be used to identify the module as manufactured by C&H.
- 4) The VXI Device Type word contains the following information:

Bit(s)	Description
15-12	F ₁₆ = 256 bytes of required memory
11-0	25F ₁₆ = C&H specified VXI model code for M222

4.0 OPERATION

The M222 is a register-based instrument that is controlled through a series of I/O registers described in Section 3.2.1. The exact method of accessing and addressing the I/O registers is dependent on the M-Module carrier used to interface the module to your data acquisition or test system. Refer to the carrier's documentation for information on the address mapping of an M-Module's I/O registers and to your system software documentation for details on data access.

Typically a high level driver is available to aid in control of the module. Refer to the software driver documentation for instructions on using the driver.

4.1 RELAY OPEN/CLOSE

Each relay channel can be separately controlled with the Relay Register (Reg. 0x14). Writing a 1 to a bit will OPEN the relay (i.e., connect the common terminal to the normally closed terminal) and writing a 0 to a bit will CLOSE the relay (i.e., connect the common terminal to the normally open terminal) as shown in Figure 4.

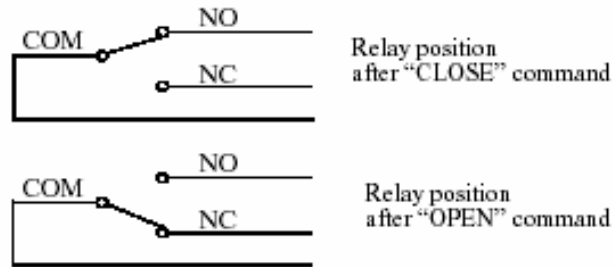


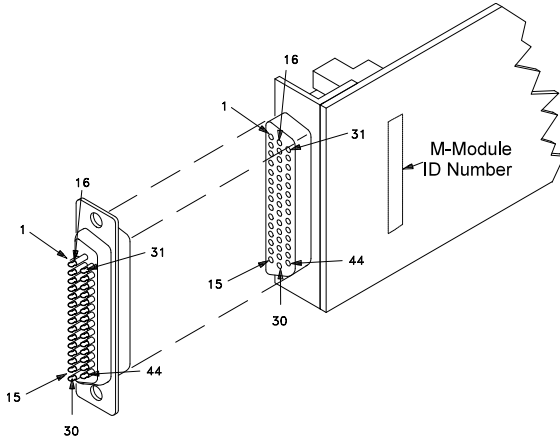
Figure 4. Effects of Opening/Closing Relay

4.2 INTERRUPTS

The M222 can generate an interrupt request 16ms after a relay is opened or closed indicating that the relay has settled. The interrupt must be enabled in the Control Register (Reg. 0x02).

M-module carriers and system controllers treat the interrupts differently. Refer to your carrier and controller documentation to determine how to properly configure them to handle the M-module interrupt request.

APPENDIX A: CONNECTORS



MAXIMUM VOLTAGE/CURRENT: The maximum voltage that may be applied to any connector on the M222 is 125 VDC, 141 VAC rms, or 200 VAC peak. These limits apply only if the product is installed in a humidity-controlled (<60% RH) environment where airborne contaminants and transients are controlled, and there is NOT a relay connection made to power mains. If these conditions CANNOT be maintained, then the maximum voltage is 60 VDC, 43 VAC rms or 68 VAC peak.

The maximum current (non-inductive) that may be applied to the M222 is:

Per Switch: 5 ADC, 5 AAC peak, 100W DC, 100VA AC
 Per Module: 300W DC, 300VA AC

Pin #	Use	Pin #	Use	Pin#	Use
1	CH0_NC	16	CH0_NC	31	CH0_NC
2	CH0_COM	17	CH0_COM	32	CH0_COM
3	CH0_NO	18	CH0_NO	33	CH0_NO
4	CH1_NC	19	NC	34	CH1_NC
5	CH1_COM	20	CH1_NC	35	CH1_COM
6	CH1_NO	21	CH1_COM	36	CH1_NO
7	NC	22	CH1_NO	37	CHGND
8	CH2_NC	23	CH2_NC	38	CH2_NC
9	CH2_COM	24	CH2_COM	39	CH2_COM
10	CH2_NO	25	CH2_NO	40	CH2_NO
11	CH3_NC	26	NC	41	CH3_NC
12	CH3_COM	27	CH3_NC	42	CH3_COM
13	CH3_NO	28	CH3_COM	43	CH3_NO
14	CHGND	29	CH3_NO	44	CHGND
15	CHGND	30	CHGND		

NC = No Connection

Figure A-1. Front Panel I/O Signals

NOTES:

READER'S COMMENT FORM

Your comments assist us in improving the usefulness of C&H's publications; they are an important part of the inputs used for revision.

C&H Technologies, Inc. may use and distribute any of the information that you supply in any way that it believes to be appropriate without incurring any obligation whatsoever. You may, of course, continue to use the information, which you supply.

Please refrain from using this form for technical questions or for requests for additional publications; this will only delay the response. Instead, please direct your technical questions to your authorized C&H representative.

COMMENTS:

Thank you for helping C&H to deliver the best possible product. Your support is appreciated.

Sincerely,

F. R. Harrison
President and CEO

INSTRUCTIONS

In its continuing effort to improve documentation, C&H Technologies, Inc. provides this form for use in submitting any comments or suggestions that the user may have. This form may be detached, folded along the lines indicated, taped along the loose edge (DO NOT STAPLE), and mailed. Please try to be as specific as possible and reference applicable sections of the manual or drawings if appropriate. Also, indicate if you would like an acknowledgment mailed to you stating whether or not your comments were being incorporated.

NOTE: This form may not be used to request copies of documents or to request waivers, deviations, or clarification of specification requirements on current contracts. Comments submitted on this form do not constitute or imply authorization to waive any portion of the referenced document(s) or to amend contractual requirements.

_____ (Fold along this line) _____

_____ (Fold along this line) _____

Place Stamp Here

C&H Technologies, Inc.
Technical Publications
445 Round Rock West Drive
Round Rock, Texas 78681-5012

C&H Technologies, Inc. <-> 445 Round Rock West Drive <-> Round Rock, TX 78681 <-> www.chtech.com

Free Manuals Download Website

<http://myh66.com>

<http://usermanuals.us>

<http://www.somanuals.com>

<http://www.4manuals.cc>

<http://www.manual-lib.com>

<http://www.404manual.com>

<http://www.luxmanual.com>

<http://aubethermostatmanual.com>

Golf course search by state

<http://golfingnear.com>

Email search by domain

<http://emailbydomain.com>

Auto manuals search

<http://auto.somanuals.com>

TV manuals search

<http://tv.somanuals.com>