



the  
**Great Outdoors**<sup>®</sup>  
**IRONWARE**

## Assembly and Owner's Manual

### A053041 X-Series Portable Gas Grill



L.P. Gas  
Cylinder  
Not Included

#### **ASSEMBLER / INSTALLER:**

Leave these instructions with the consumer.

#### **CONSUMER / USER:**

Read all of these instructions and keep them in a safe place for future reference.

#### **FOR YOUR SAFETY**

If you smell gas:

- 1 Shut off gas to the appliance.
- 2 Extinguish any open flame.
- 3 Open lid.
- 4 If odor continues, immediately call your gas supplier or fire department.

#### **FOR YOUR SAFETY**

- 1 Do not store or use gasoline or other flammable vapors and liquids in the vicinity of this or any other appliance.
- 2 An unconnected liquid propane cylinder should not be stored in the vicinity of this or any other appliance.

**FOR YOUR SAFETY: Never leave a grill unattended when in use.**

# Table of Contents

	Page Number
Chapter 1 - INSTALLATION	4
Necessary Information .....	4
Choosing a Safe Location .....	4
Portable L.P. Gas Grills .....	5-7
L.P. Gas Dealer Instructions .....	8
Chapter 2 - ASSEMBLY INSTRUCTIONS	9
Step 1 ( Identifying Parts ) .....	10
Step 2 ( Attach Legs ) .....	11
Step 3 ( Attach Feet ) .....	12
Step 4 ( Tank Retainer ) .....	13
Step 5 ( Modesty Panel ) .....	14
Step 6 ( Side Tables ) .....	15
Step 7 ( Grill Head ) .....	16
Step 8 ( Ignitor Wire ) .....	17
Step 9 ( Lid Handle ) .....	18
Step 10 ( Internal Parts ) .....	19
Step 11 ( Warming Rack ) .....	20
Step 12 ( Drip Cup ) .....	21
Installing an L.P. Gas Cylinder .....	22-23

**Formerly:** The Great Outdoors®

**Now:** CFM  
CFM Corporation  
2695 Meadowvale Boulevard  
Mississauga, Ontario L5N 8A3 Canada  
(800) 668-5323

[www.cfmcorp.com](http://www.cfmcorp.com)

Service Note: If you are experiencing difficulties or are dissatisfied with your purchase, please contact CFM at the telephone number listed above prior to returning your grill to the store.

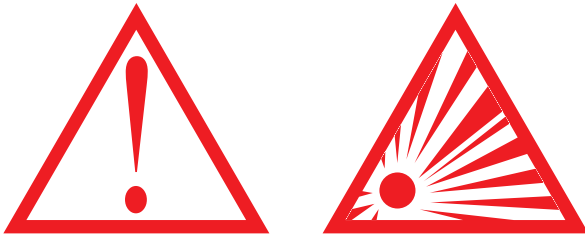
# X-Frame Model Series Gas Grill

## Installation Chapter 1

### Necessary Information to Safely Use a Gas Grill

**The gas fuel used by this product is highly flammable and must be used in a responsible and cautious manner.**

**It is your responsibility to assemble, operate, and maintain your gas barbecue grill properly.**



**If these instructions are ignored, there is a possibility of a hazardous fire or explosion which could result in property damage, physical injury or death.**

### Choosing a Safe Location for a Gas Barbecue Grill

**1. The gas barbecue grill may only be used for cooking out-of-doors.**

· Do not operate this barbecue in garages, breeze ways, sheds or any enclosed area.

· Operating this or any gas-fired appliance in an enclosed area can produce a build-up of carbon-monoxide, which could result in injury or death.

**2. Installation must conform with local codes** or, in the absence of local codes, with either the National Fuel Gas Code, ANSI Z223.1, NFPA 54 (USA), or CAN/CGA-B 149.2, Propane Installation Code (Canada) and CAN/CGA-B 149.1 Natural Gas Installation Code.

To check local codes, contact your local gas dealer or gas company listed in the Yellow Pages for recommended installation procedures and regulations.

**3. This appliance is not intended to be installed in or on a recreational vehicle and/or boat.**

**4. Keep the barbecue grill at least 24 inches (61 cm) away from any combustible construction.**

· Do not use a grill under a ceiling or cover where the heat or flame could cause damage.

· Choose a level surface where the grill is not facing directly into the wind.

· Avoid moving the grill during use.

**5. The grill area must be clear and free from combustible materials, gasoline, and any other flammable liquids or vapors.**

· Do not use lighter fluid or charcoal briquettes in a gas grill. The flow of combustion and ventilation air is not to be obstructed. The ventilation openings of the cylinder enclosure must be kept free and clear from other debris. Do not store grill covers or other items in the cylinder area.



**6. Do Not store a spare L.P. gas cylinder under or near this appliance.**

Do not store an L.P. cylinder in a building, garage or any other enclosed area. Instead, store the cylinder outdoors in a well ventilated area, away from people and out of the reach of children.

**7. NOT FOR USE BY CHILDREN.**

- Place your barbecue grill in a location away from children and pets.
- Do not leave grill unattended when in use.

**8. The outside of the barbecue grill will become hot during use.**

- To avoid burns, do not touch any hot grill surface. If necessary, use a protective glove when operating control knobs, tank shut-off valve, or lid handle.
- Do not place combustible material, such as cloth or plastic, on grill surface during use.
- Do not lean on side tables or place more than 15 pounds of weight on a side table.

**9. Make sure that the drip pan is in place under the grill bottom.**

- Hot drippings from cooking food could damage the fuel supply system.

**IMPORTANT: NEVER** leave a grill unattended when in use.

## Portable L.P. Gas Barbecue Grills

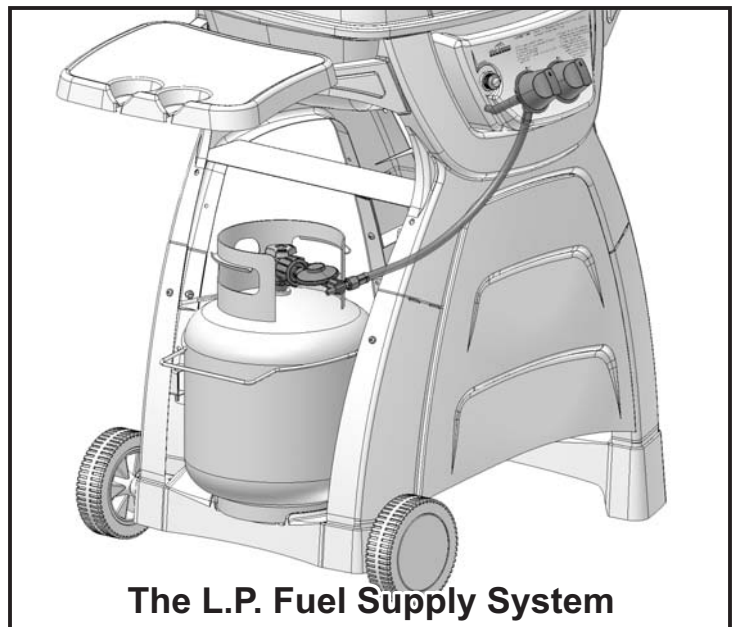
**WARNING:** Do not use natural gas in an appliance designed for L.P. gas. Use only liquid propane (L.P.) gas in an appliance designed for L.P. gas.

### L.P. Gas

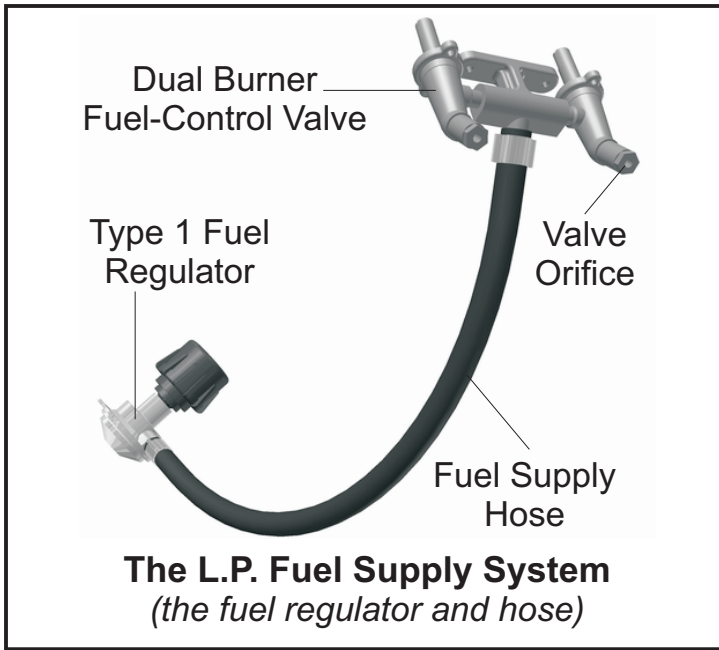
Liquid Propane (abbreviated L.P.) gas is stored under high pressure inside a cylinder and will vaporize when released. It is important that there are no leaky connections on the grill fuel supply system. Refer to the Leak Testing section of this manual.

### The L.P. Fuel Supply System

An L.P. gas grill requires a fuel delivery system made up of a L.P. gas supply cylinder, a fuel regulator with hose and a gas-control valve.



**The L.P. Fuel Supply System**



4. The pressure regulator and hose assembly provided is factory set at an outlet pressure of 11 inches water column (.4 lb. per sq. Inch).

**WARNING:** Any attempt to adjust the regulator is dangerous and could create a situation causing personal injury or property damage. Consult your L.P. gas dealer if you think the regulator is not working properly.

## L.P. GAS SUPPLY CYLINDER

L.P. Cylinders can be obtained at the store where you purchased your grill or from an authorized L.P. gas dealer.

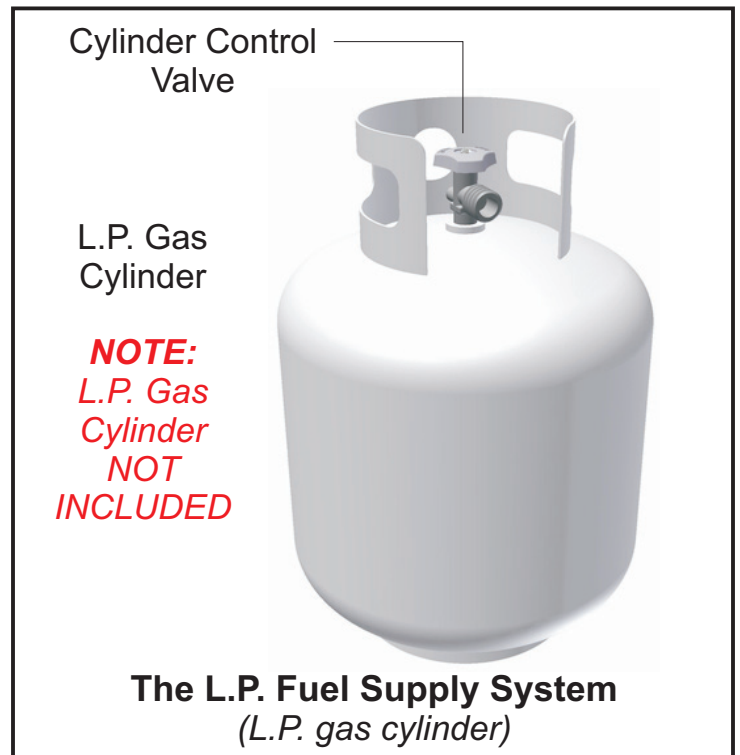
## FUEL REGULATOR AND HOSE

The fuel regulator supplied is equipped with a Type 1 coupling nut. Do not attempt to connect to any other L.P. cylinder not equipped with a mating Type 1 cylinder valve. This grill is not to be used with any other cylinder connection device.

The fuel regulator and hose assembly with the Type 1 fitting supplied must be used with the appliance. Do not use a hose and regulator assembly other than the one supplied with the grill or a manufacturer's replacement fuel pressure regulator assembly.

The Type 1 connection system has the following features:

1. The system will not allow gas to flow until a positive connection has been made.
2. The system has a thermal element that will shut off the flow of gas between 240°F and 300°F.
3. The system has a flow-limiting device which, when activated, will limit the flow of gas to 10 cubic feet per hour.



## L.P. GAS CYLINDER SPECIFICATIONS

Any L.P. gas-supply cylinder used with this grill must be approximately 12 inches diameter and 18 inches high. The maximum fuel capacity must be 20 pounds of propane. Full-cylinder weight should be approximately 38 pounds (43.7 lbs. Nominal water capacity).

The L.P. gas cylinder must have a shut-off valve terminating in a Type 1 L.P. gas-cylinder-valve outlet. A Type 1 compatible cylinder with a Type 1 cylinder valve has a positive seating connection that does not permit gas flow until a positive seal has been obtained.

The cylinder must be arranged for vapor withdrawal. It must also include a collar to protect the cylinder valve. A safety-relief device having direct communication with the vapor space of cylinder must be provided. This will expel high-pressure gas if the cylinder is overfilled or overheated.

All L.P. gas cylinders used with this appliance shall be constructed and marked in accordance with the specifications for L.P. gas cylinders of the U.S. Department of Transportation (DOT) or the National Standard of Canada, CAN/CSA-B339, Cylinders, Spheres and Tubes for Transportation of Dangerous Goods; and Commission, as applicable; and shall be provided with a listed overfilling-prevention device. Read labels on the L.P. gas-supply cylinder.

**DANGER:** Do not insert any foreign objects into the valve outlet. You may damage the back check, A damaged back check can cause a leak, which could result in explosion, fire, severe personal injury or death.

**Allow only a qualified L.P. gas dealer to fill or repair an L.P. gas-supply cylinder.**

Inform the gas dealer if it is a new or used cylinder to be filled. Caution the gas dealer not to overfill the fuel cylinder.

After filling, have the gas dealer check for leaks and that the relief valve remains free to function.

Have the gas dealer weigh the cylinder after filling to ensure that the cylinder is not overfilled.

**DANGER:**

- a.) Do not store a spare L.P. gas cylinder under or near this appliance.
- b.) Never fill the gas cylinder beyond 80 percent full.
- c.) If the information in (a.) and (b.) Is not followed exactly, a fire causing serious injury or death may occur.

## TRANSPORTING A FULL CYLINDER

**WARNING:** Handle a full cylinder with care. Gas is under high pressure.

You should transport only one cylinder at a time. Transport the cylinder in an upright and secure manner with the control valve turned off and the POL dust cap in place.

Do not transport a cylinder in the passenger compartment of a vehicle.

Do not leave cylinder in direct sunlight or in a high-heat area such as a closed car trunk. High-heat areas could cause the relief valve to vent gas.

Use a cylinder cap on the cylinder-valve outlet during transport and when the cylinder is not connected to the grill. Keep cylinder valve closed when not in use.

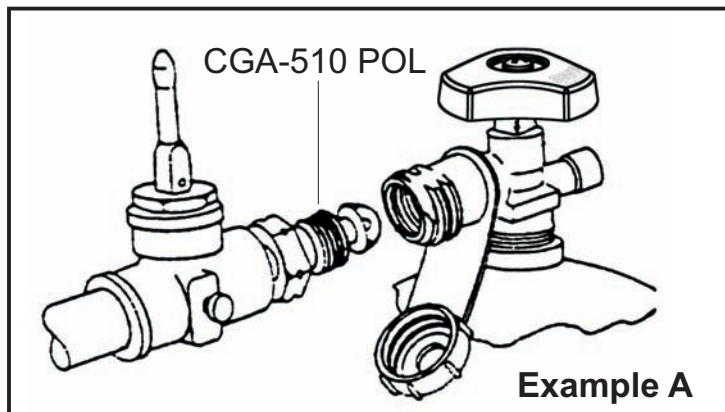
# Take These Instructions to the L.P. Gas Dealer

When using a cylinder exchange, be sure the exchanged cylinder is a Type 1 cylinder; a 510 POL cylinder will not fit a Type 1 regulator.

## FILLING AND PURGING TYPE 1 L.P. GAS CYLINDERS

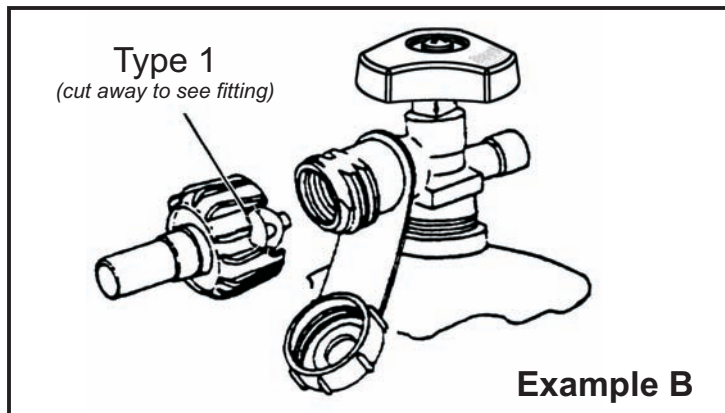
**DANGER:** Purging and filling of L.P. gas cylinders must be performed by personnel who have been thoroughly trained in accepted L.P. gas industry procedures. Failure to follow this instruction may result in explosion, fire, severe personal injury or death.

**IMPORTANT:** Purge new cylinders before filling. This tank is easily filled with a standard CGA 510 POL filling connection.



### Filling a Type 1 Cylinder Valve

Example A: shows a CGA-510 POL fitting.  
Example B: shows using a Type 1 POL fitting.



The L.P. gas cylinder has a Type 1 cylinder valve with a back-check module in its outlet that will not permit gas to flow until an evacuation device is installed. To purge the L.P. gas cylinder, the back-check module must be opened with an evacuation device.

## PURGING AND EVACUATION DEVICES FOR L.P. GAS CYLINDER WITH TYPE 1 CYLINDER VALVES

A. Hose-end valve with a bleed port: Purging can be accomplished using a hose-end valve containing a bleed port, which also allows for evacuation without the use of an adapter.

B. Hose-end valve without a bleed port: When a hose-end valve does not have a bleed port, a separate device must be used for evacuation.

C. Purging using a Type 1 connection: L.P. gas cylinder evacuation can be accomplished during each purging by using a Type 1 connection. The Type 1 valve outlet has 1-5/16" external ACME right-hand thread that will accept this connection.

**CAUTION:** After purging or filling an L.P. gas cylinder, do not insert a POL plug into the valve outlet. Insertion of this plug will prevent the back-check from closing. Use ONLY the provided cap and strap attached to the outlet. Close the cylinder valve knob before returning the cylinder to the customer.

For proper purging procedures in the USA, refer to: Safety Bulletin NPGA # 133, "Purging L.P. Gas Cylinders," and Safety Bulletin NPGA #130, "Recommended Procedures for Filling Cylinders."

**DANGER:** Do not fill an L.P. gas cylinder beyond 80% full. If this information is not followed exactly, a fire causing serious injury or death may occur.

# X-Frame Model Series Gas Grill

## Assembly Instructions Chapter 2

### Getting Started

1. Please follow the steps in the order that they are presented.
2. Assemble the grill where you plan to use it.
3. You may want to place an old towel or cloth at the assembly site to prevent nuts and bolts from becoming lost.
4. Have a friend help. An assistant can make the assembly easier by holding the parts in place while you fasten the nuts and bolts.
5. To be ready to barbecue immediately, have the L.P. gas cylinder filled by an authorized L.P. dealer or cylinder exchange center.



### Unpacking the Grill Parts

1. Remove and set aside all inner boxes and parts from the master carton.
2. Remove and set aside all wrapping paper and additional packaging from the parts.
3. Do not destroy carton or packing until your grill is completely assembled and operating to your satisfaction.

### Tools needed to assemble grill: (tools included)

- 10mm closed-end wrench\*
- Phillips-head screwdriver
- 17mm / 7mm open-end wrench\*

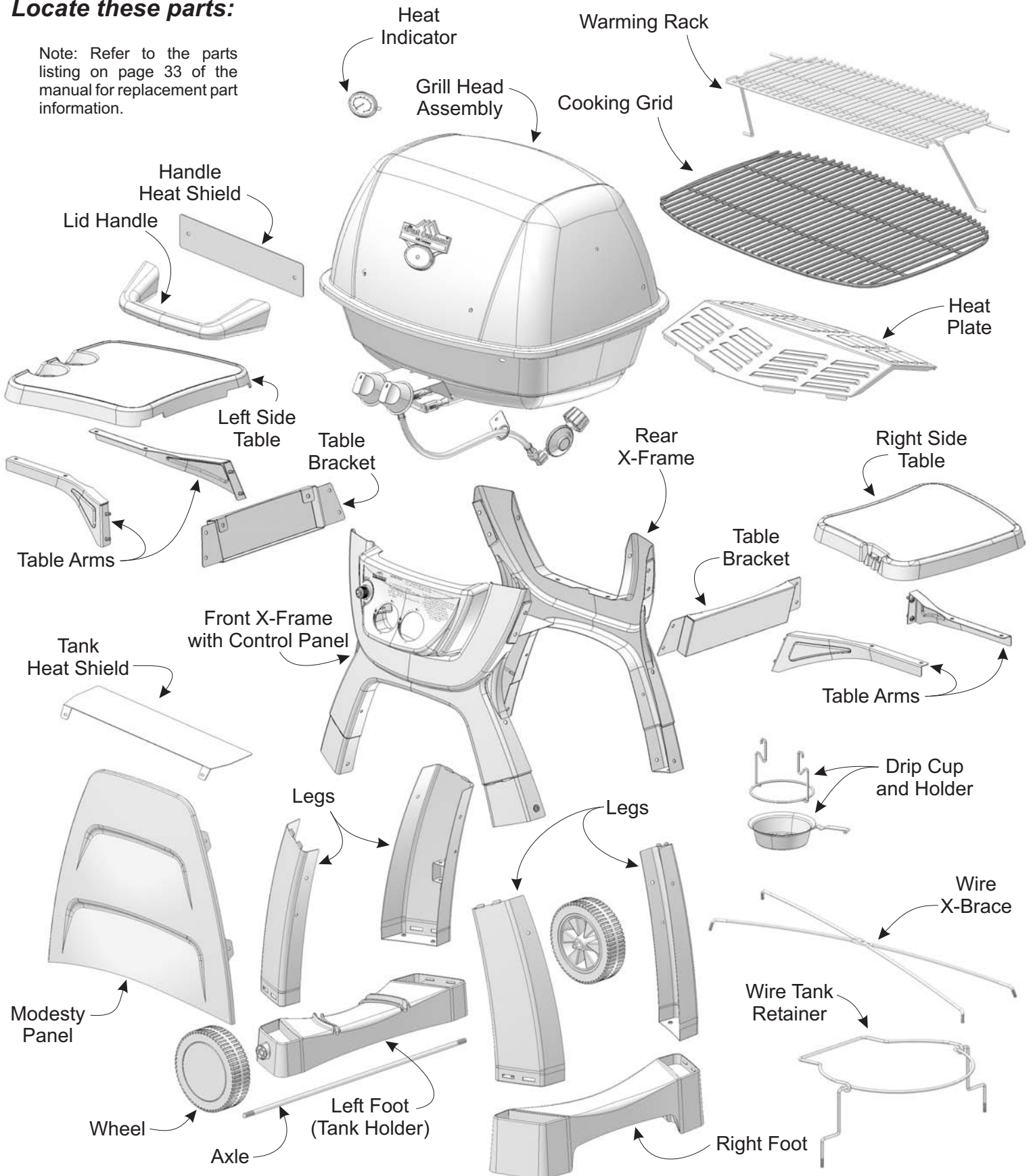
\* A socket set or an adjustable wrench may be used in place of the open-end wrenches if desired.



# Assembly Step 1 - Identifying the Grill Parts

## Locate these parts:

Note: Refer to the parts listing on page 33 of the manual for replacement part information.



Not Pictured:  
Master Hardware Pack

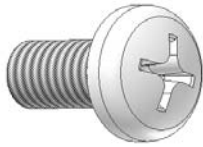
# Assembly Step 2 - Attach Legs to X-Frames

## Tools Needed:

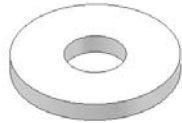


Phillips head screwdriver

## USE HARDWARE "A"



(A) M6x15mm Bolt (8)

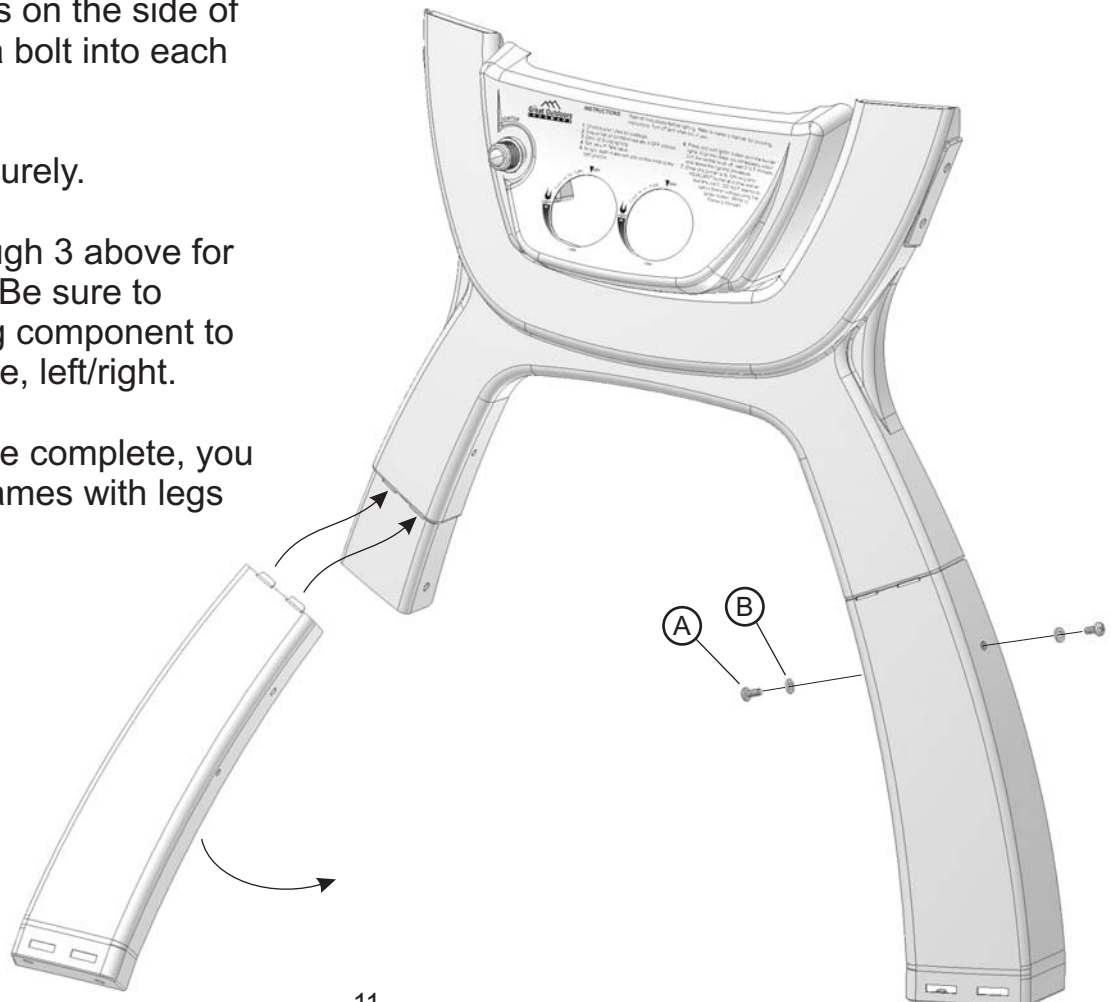
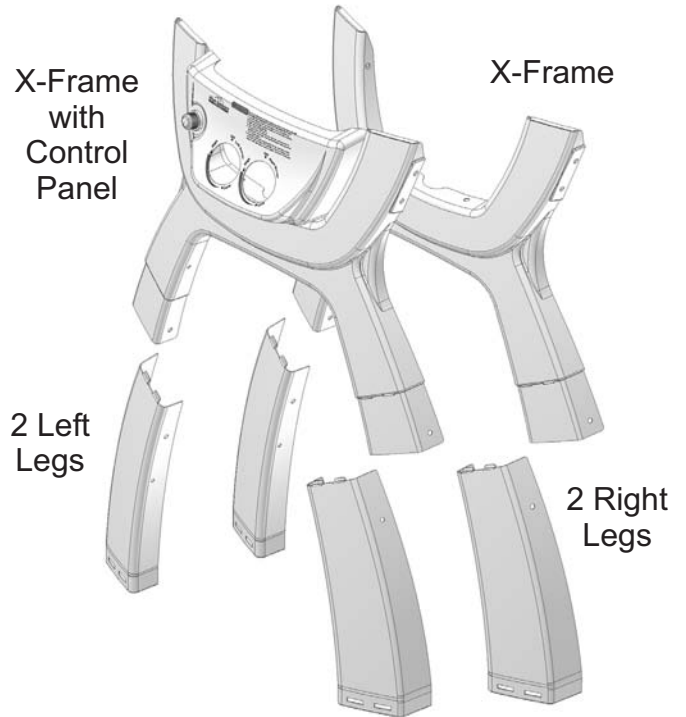


(B) M6 Flat Washer (8)

1. Attach the leg to the X-frame by inserting the top tabs into the corresponding slots in the X-frame as shown.
2. Line up the bolt holes on the side of each leg and insert a bolt into each of the bolt holes.
3. Tighten the bolts securely.
4. Repeat steps 1 through 3 above for each leg and frame. Be sure to match the correct leg component to its corresponding side, left/right.

When these steps are complete, you will have 2 sets of frames with legs attached.

## LOCATE THESE PARTS:

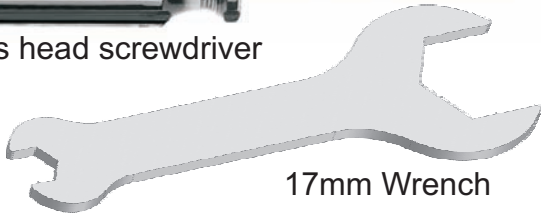


# Assembly Step 3 - Attach the Feet

## Tools Needed:

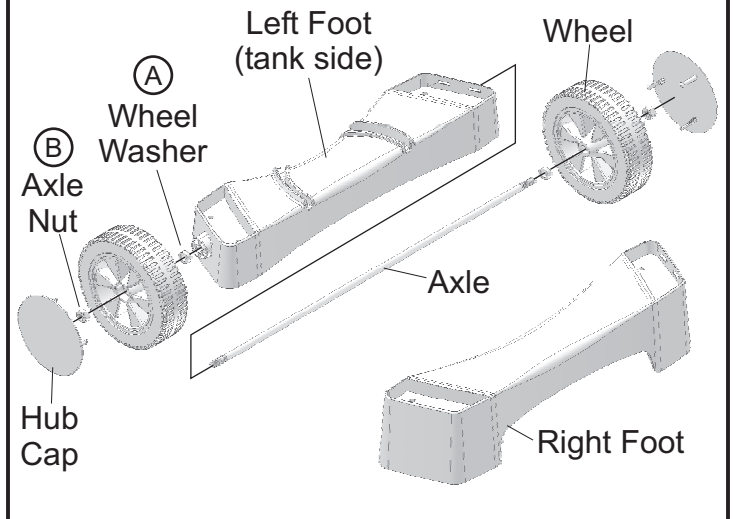


Phillips head screwdriver



17mm Wrench

## LOCATE THESE PARTS:



## USE HARDWARE "B"



(A)

Wheel Washer(2)



(B)

M10 Axle Nut (2)



(C)

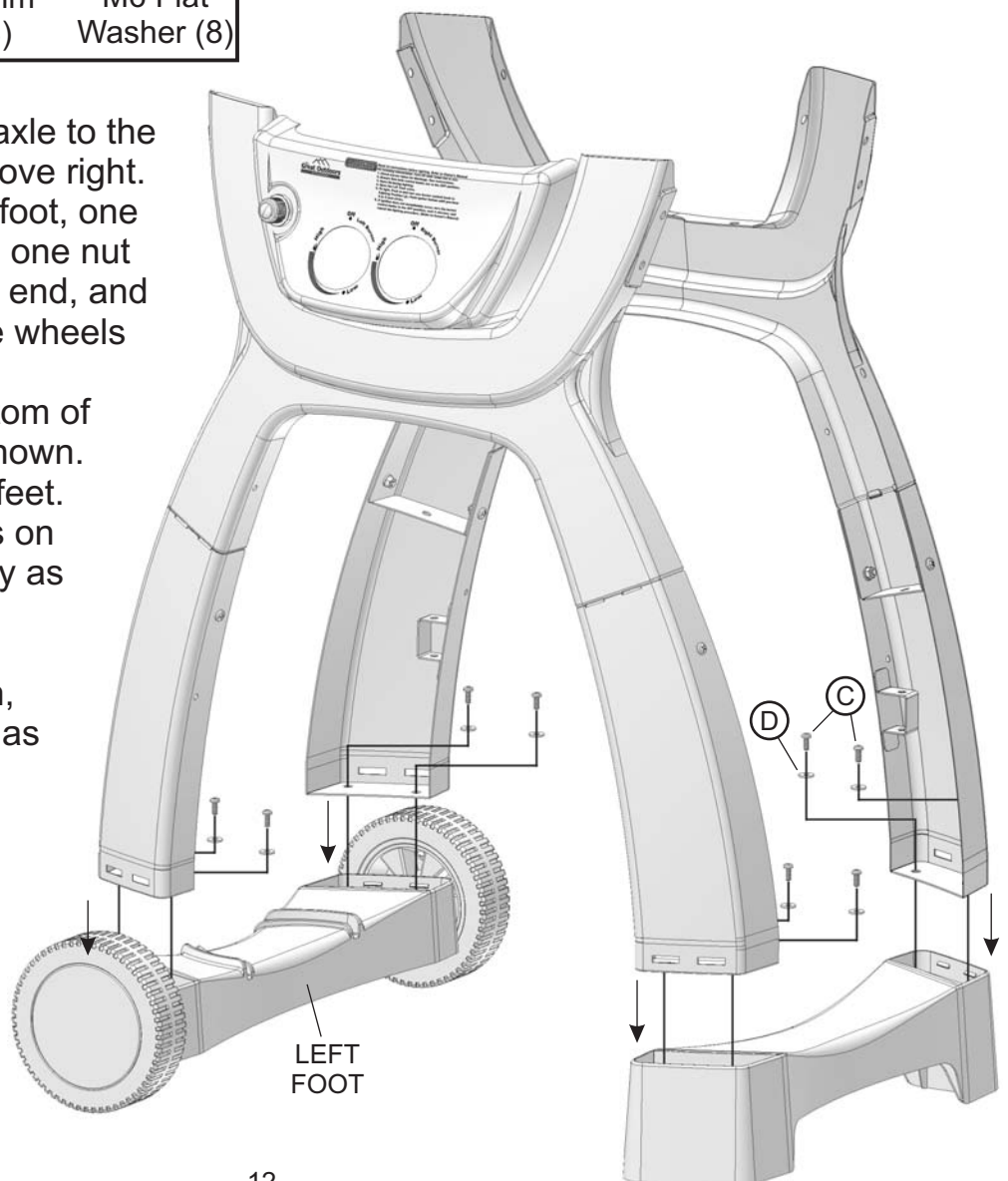
M6x15mm Bolt (8)



(D)

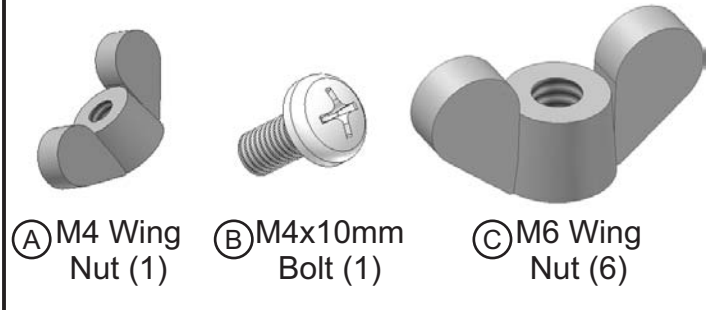
M6 Flat Washer (8)

1. Assemble the wheels and axle to the tank-side foot as shown above right. Insert the axle through the foot, one wheel on each end, tighten one nut and wheel washer on each end, and snap the hub caps onto the wheels
2. Attach each foot to the bottom of the frame assemblies as shown. The legs will snap into the feet. Be sure the wheeled foot is on the left side of the assembly as shown.
3. For each mounting location, insert 2 bolts with washers as shown.
4. Once all of the bolts are securely tightened, position the assembly so that the wheels are on your left side as you face it. (This is the front)



# Assembly Step 4 - Install the Tank Retainer

## USE HARDWARE "C"

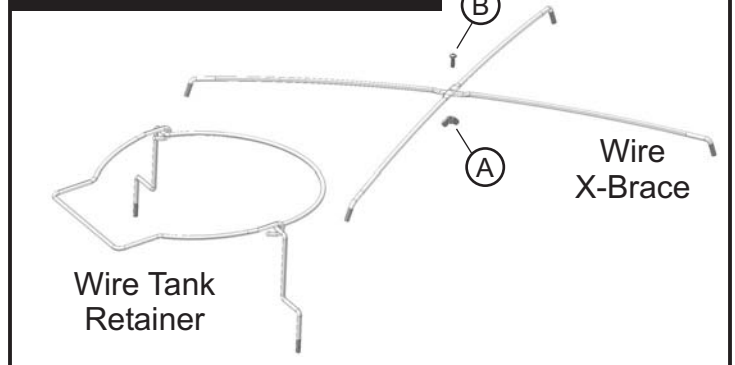


## Tools Needed:

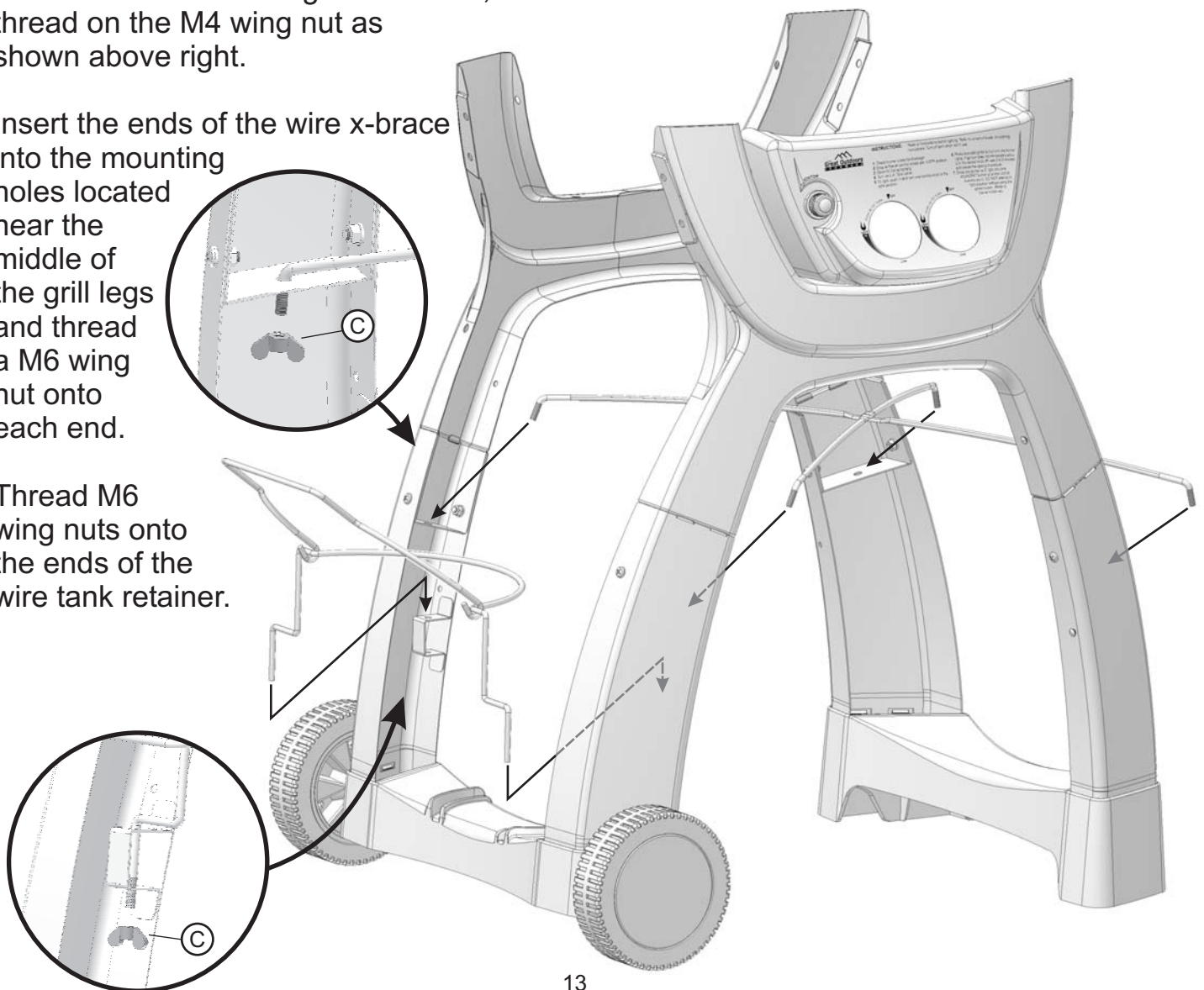


Phillips head screwdriver

## LOCATE THESE PARTS:



1. Insert the legs of the wire tank retainer into the mounting brackets inside the grill legs. The wire tank retainer must be mounted on the wheel side of the grill.
2. Align the center hole of the x-brace wires, insert the M4 bolt through both wires, and thread on the M4 wing nut as shown above right.
3. Insert the ends of the wire x-brace into the mounting holes located near the middle of the grill legs and thread a M6 wing nut onto each end.
4. Thread M6 wing nuts onto the ends of the wire tank retainer.

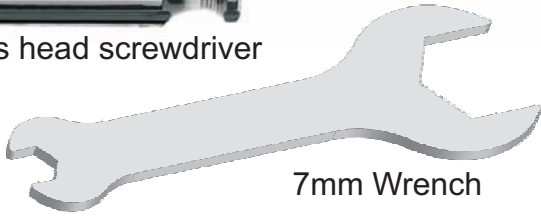


# Assembly Step 5 - Attach the Modesty Panel

## Tools Needed:



Phillips head screwdriver



7mm Wrench

## USE HARDWARE "D"

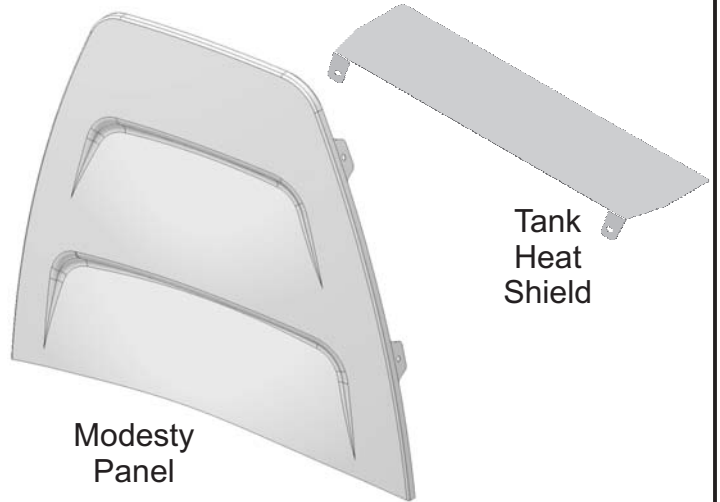


(A) M4 KEPS  
Nut (6)



(B) M4x15mm  
Bolt (6)

## LOCATE THESE PARTS:



Modesty  
Panel

Tank  
Heat  
Shield

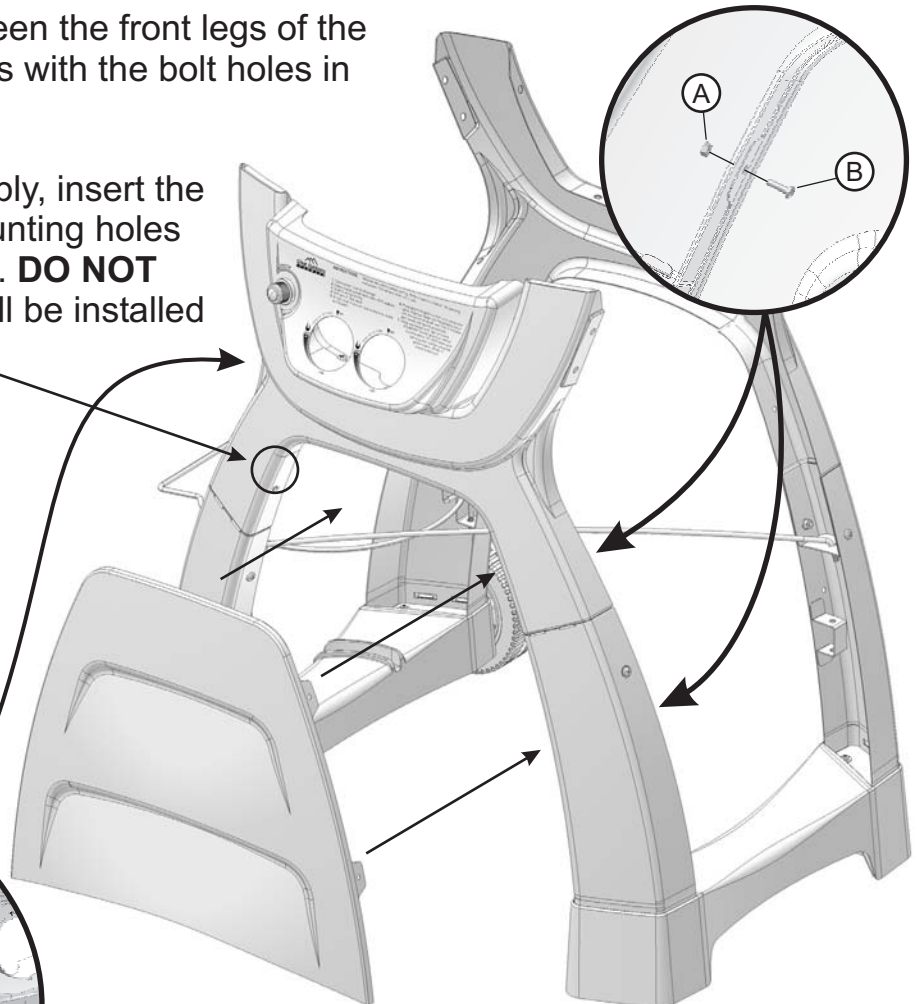
1. Position the modesty panel between the front legs of the assembly. Align the mounting tabs with the bolt holes in the legs.

From the back side of the assembly, insert the

2. M4 bolts through each of the mounting holes and thread on the M4 KEPS nuts. **DO NOT yet** insert the bolt indicated - it will be installed during a later assembly step.

**IMPORTANT!** The Tank Heat Shield must be properly installed to provide an additional precautionary safeguard.

3. Position the Tank Heat Shield between the front and rear x-frame assemblies as shown below.



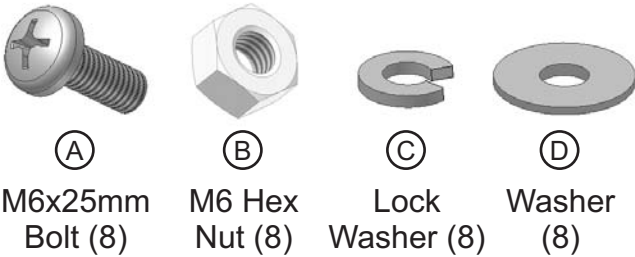
4. For each mounting hole, insert M4 bolts and thread on M4 KEPS nuts.
5. Securely tighten all the bolts. Remember to set aside the remaining bolt and nut for a later step.

# Assembly Step 6 - Attach the Side Tables

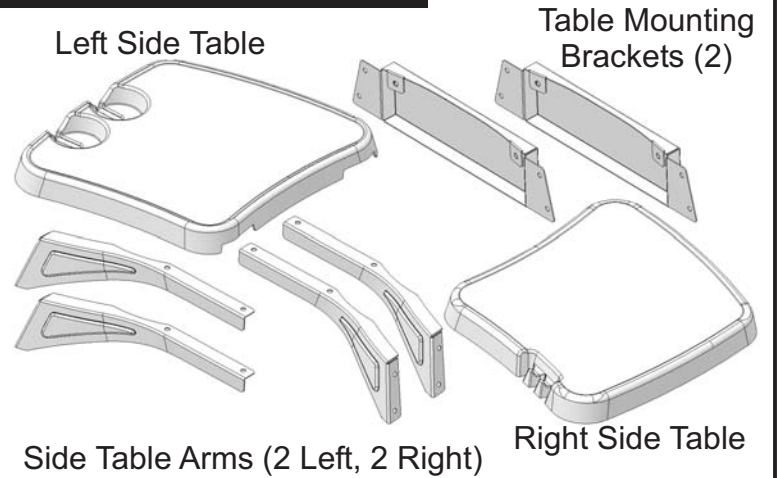
## Tools Needed:



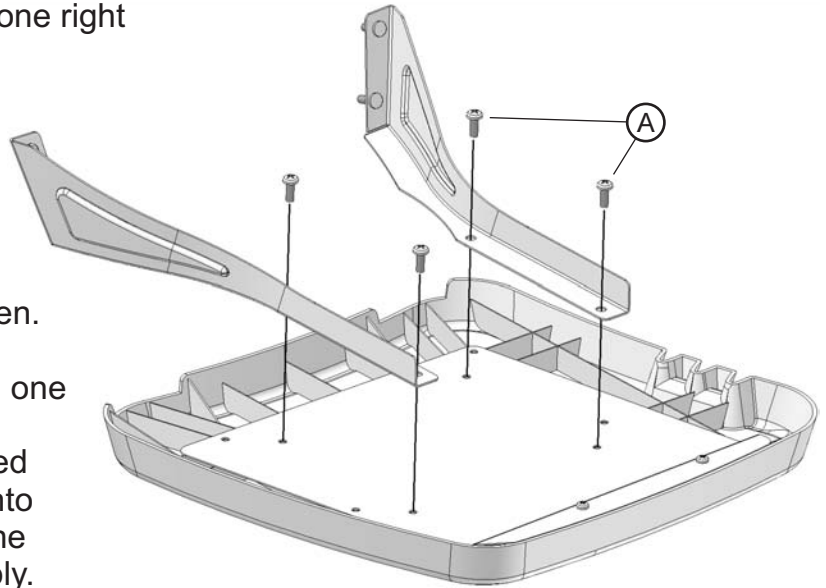
## USE HARDWARE "E"



## LOCATE THESE PARTS:

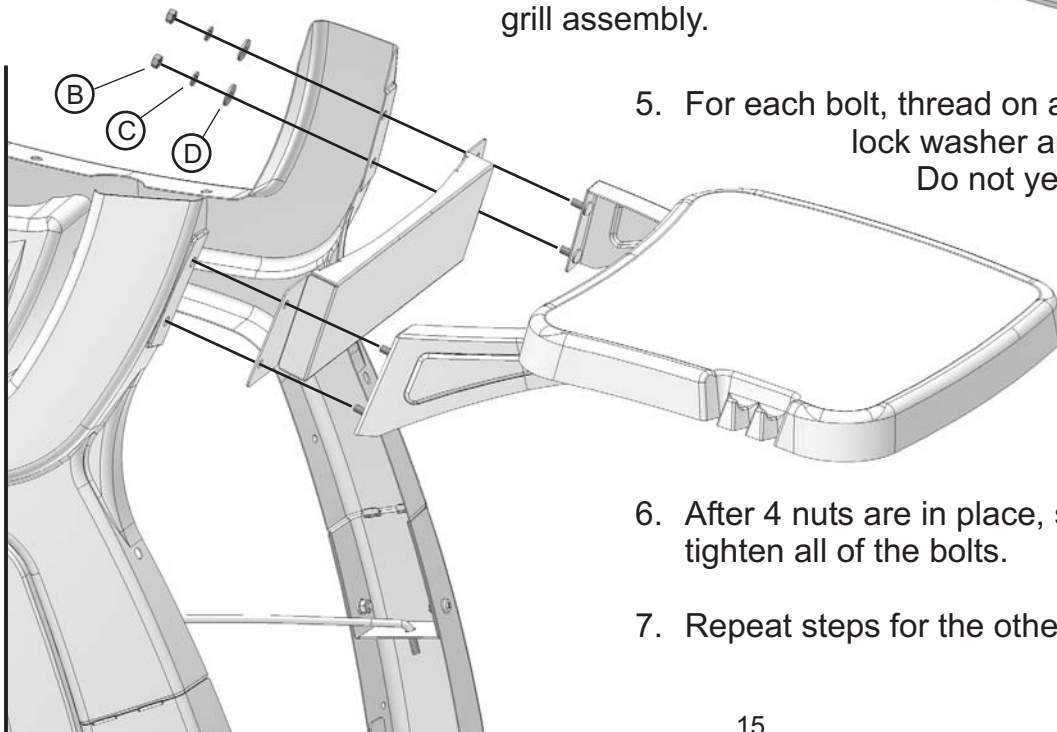


1. To assemble each table, use one left and one right table arm.
2. Line up the bolt hole of the table arms to the **INSIDE** set of holes on the side table as shown.
3. For each bolt location, insert a M6 bolt. Once all bolts are mounted, securely tighten.
4. Align the assembled side table, along with one side table bracket to the side of the grill assembly as shown. Insert the pre-mounted bolts through the mounting bracket and onto the side of the grill assembly.



5. For each bolt, thread on a flat washer, lock washer and M6 hex nut. Do not yet tighten the nuts.

6. After 4 nuts are in place, securely tighten all of the bolts.
7. Repeat steps for the other side table.



# Assembly Step 7 - Installing the Grill Head

## Tools Needed:



Phillips head screwdriver

## LOCATE THESE PARTS:

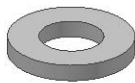


Grill Head Assembly

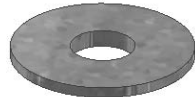
## USE HARDWARE "F"



(A) M6x15mm Bolt (4)

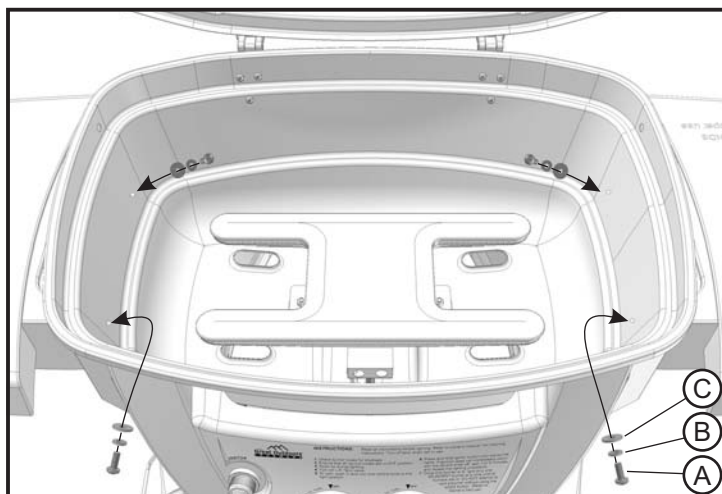
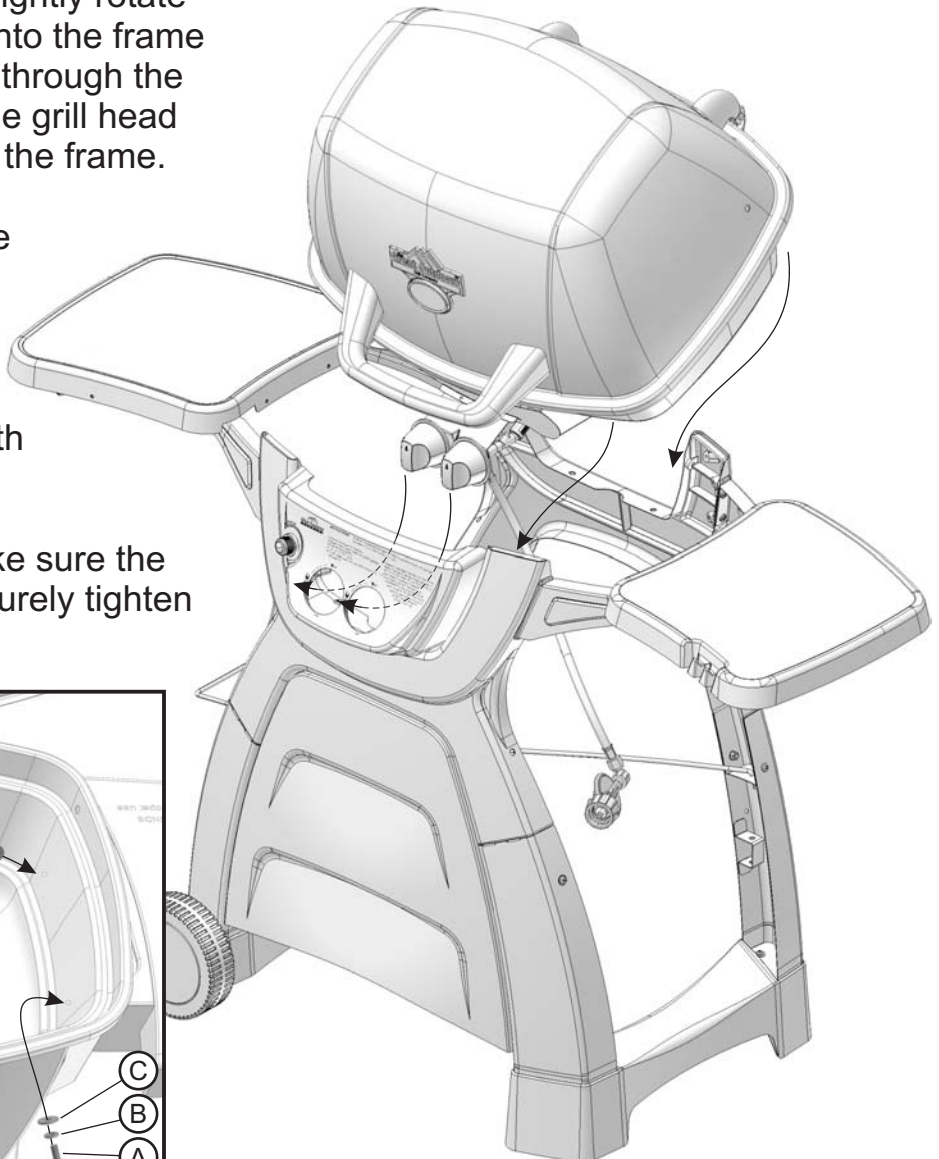


(B) M6 Flat Washer (4)



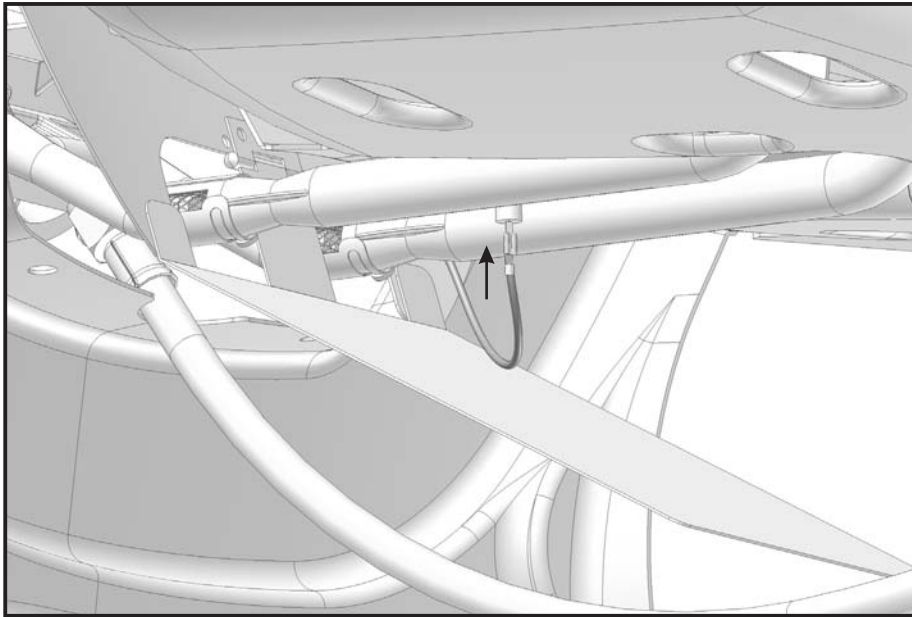
(C) Bolt Gasket (4)

1. Holding the grill head upright, slightly rotate the knob side down and set it onto the frame assembly. The knobs will insert through the control panel first, then rotate the grill head down until it rests properly onto the frame.
2. Line up the 4 bolt holes near the inside corners of the grill tub.  
(The lid will need to be opened to access the bolt locations.)
3. Loosely insert all of the bolts with washers and gaskets.
4. After all bolts are threaded, make sure the control knobs centered and securely tighten the bolts.

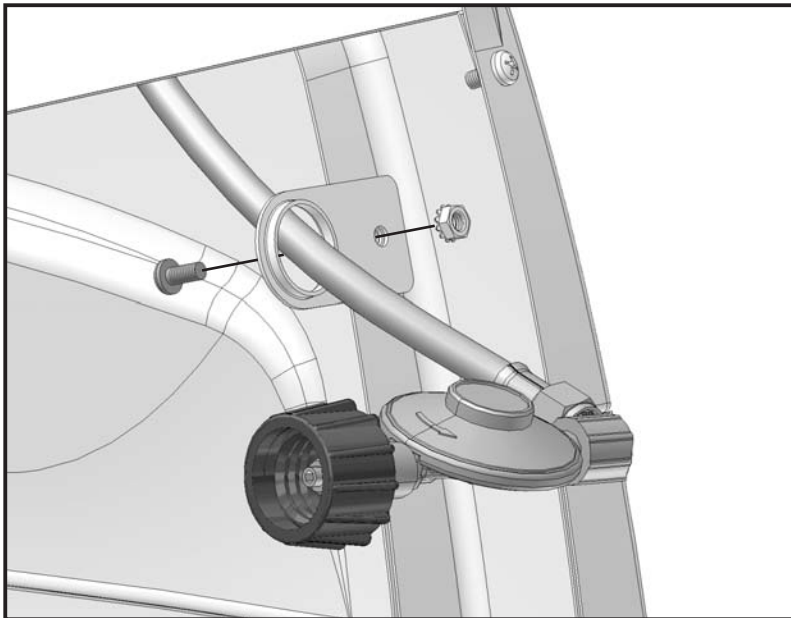
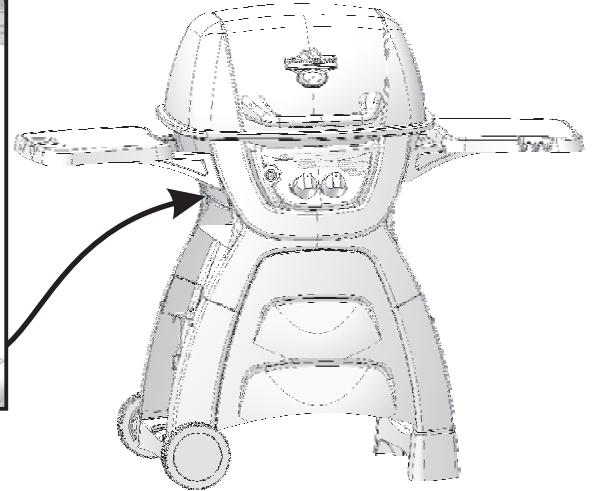


(C)  
(B)  
(A)

# Assembly Step 8 - Ignitor Installation



1. Locate the loose end of the ignitor wire. Connect it to the ignitor electrode underneath the grill tub, between the two burner tubes.



2. Using the remaining bolt and nut from Step 5 (page 14), bolt the hose bracket to the frame.

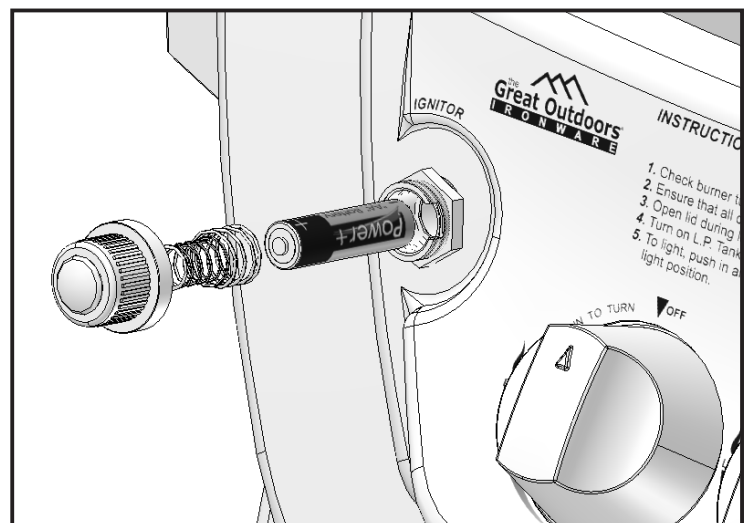
Be sure the bolt mounts through the modesty panel tabs and the frame leg.

Securely tighten the bolt and nut using a phillips head screwdriver and 7mm wrench.

## Installing the Battery

1. Unscrew the cap from the ignitor button.
2. Insert an AA battery (from the hardware pack) The positive end of the battery faces out.
3. Place the button spring and cap back onto the ignitor and thread it back on.

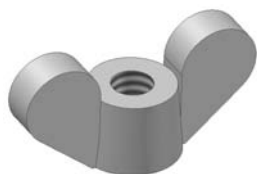
Test the ignitor: Make sure gas is off or disconnected. Press the ignitor button and check for a spark in the grill tub and the side burner.



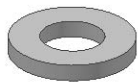


# Assembly Step 9 - Installing the Lid Handle

## USE HARDWARE "G"



(A) M6 Wing Nut (2)



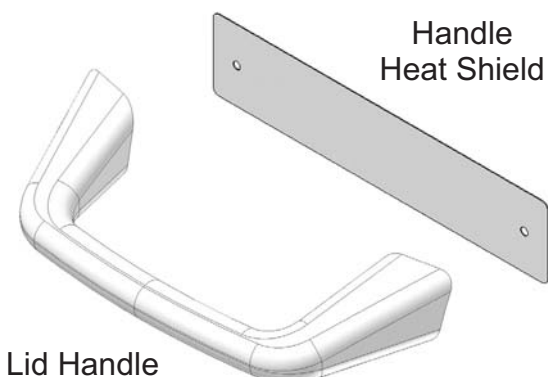
(B) M6 Flat Washer (2)



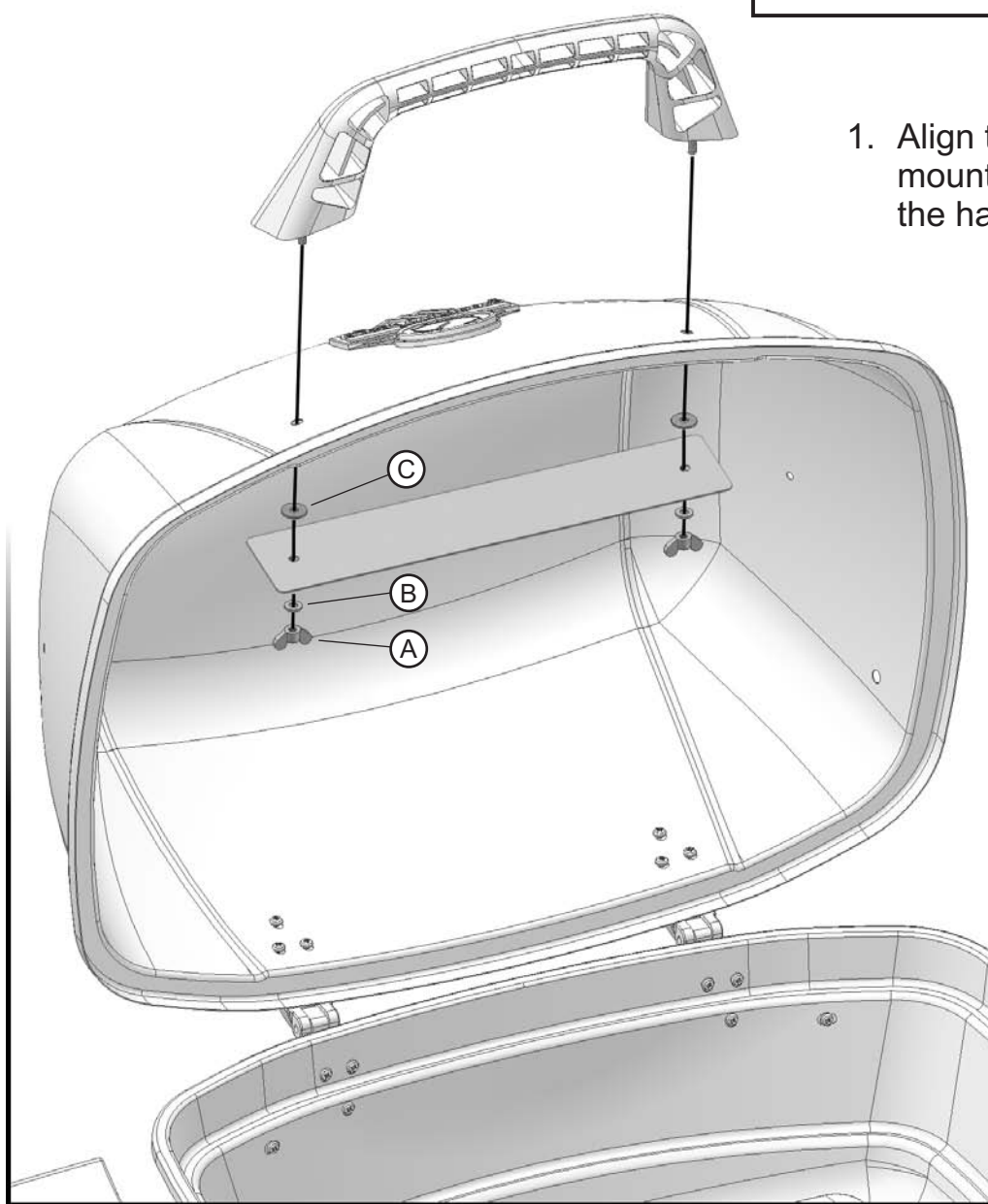
(C) Bolt Gasket (2)

No tools are required for this step.

## LOCATE THESE PARTS:



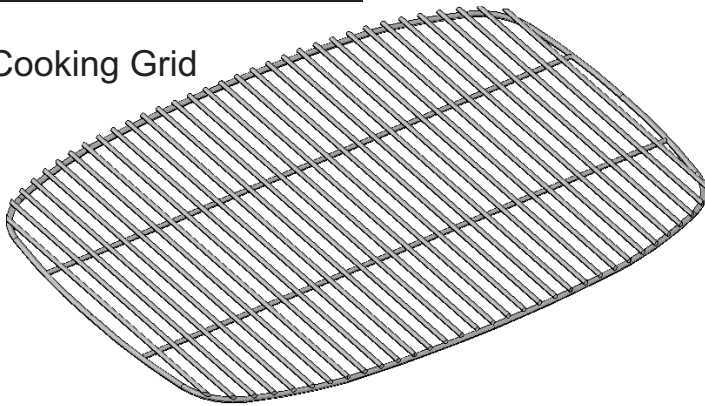
1. Align the lid handle bolts with the mounting holes in the lid and set the handle on the grill lid.
2. From the inside of the lid, thread on a gasket onto each bolt.
3. Place the Heat Shield onto the bolts.
4. Thread on a washer and wing nut for each handle bolt.
5. Securely tighten the wing nuts.



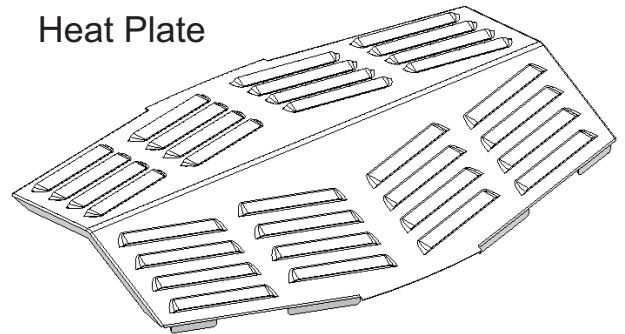
# Assembly Step 10 - Installing the Grids

## LOCATE THESE PARTS:

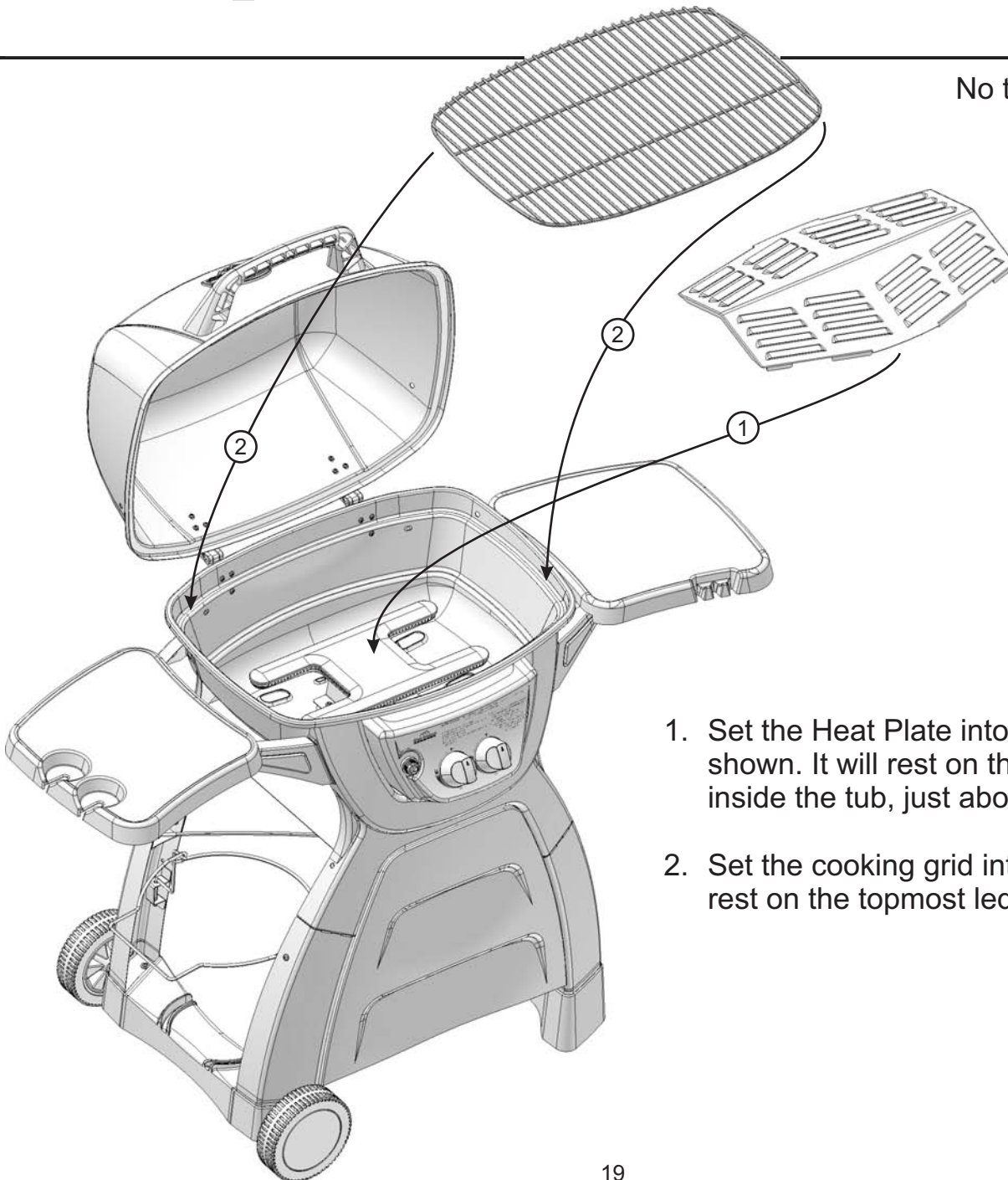
Cooking Grid



Heat Plate



No tools are required for this step.



1. Set the Heat Plate into the tub as shown. It will rest on the lowest ledge inside the tub, just above the burner.
2. Set the cooking grid into the tub. It will rest on the topmost ledge of the tub.

# Assembly Step 11 - Install the Warming Rack

## LOCATE THESE PARTS:



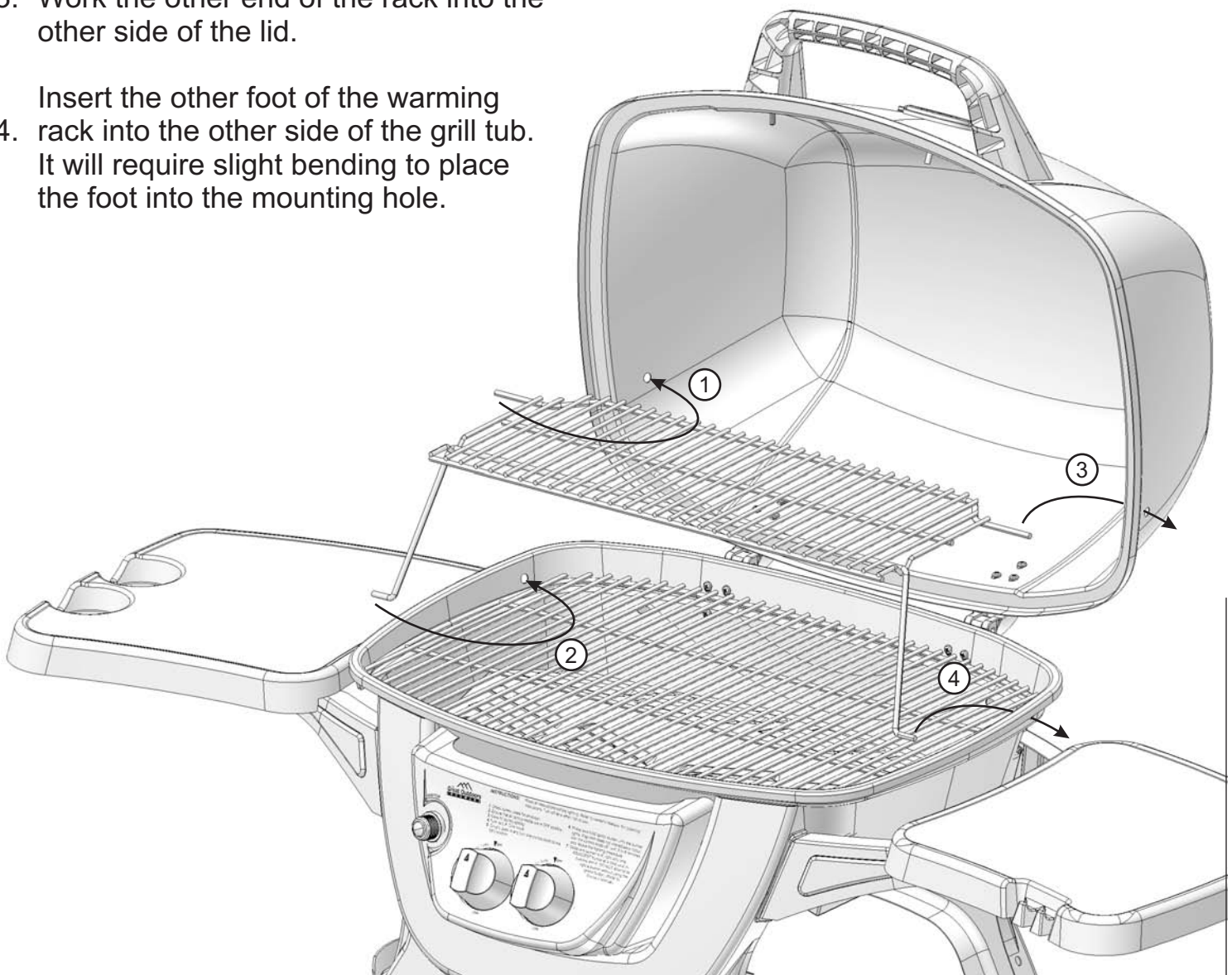
No tools are required for this step.

1. Position the warming rack as shown and insert one end of the rack into the lid as shown.
2. Working on the same side of the grill, insert one foot of the warming rack into the mounting hole near the top of the grill tub.

3. Work the other end of the rack into the other side of the lid.

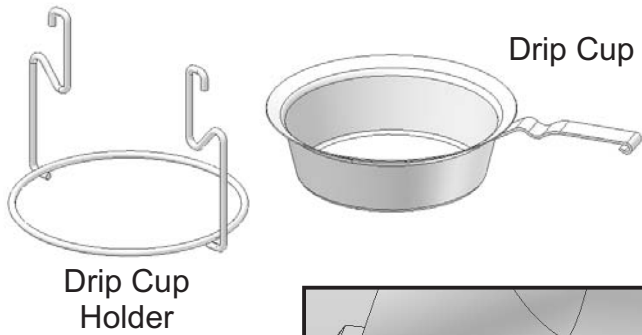
Insert the other foot of the warming

4. rack into the other side of the grill tub. It will require slight bending to place the foot into the mounting hole.



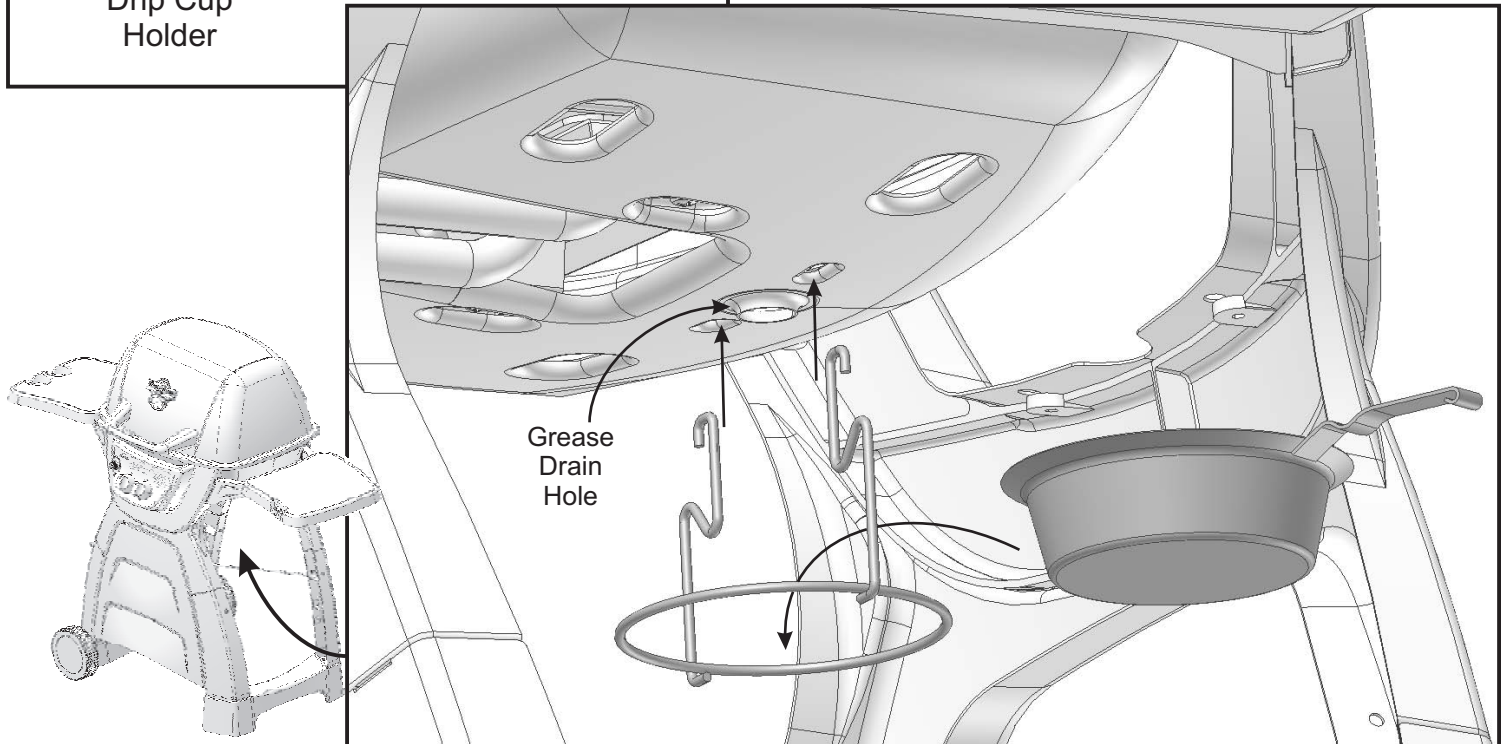
# Assembly Step 12 - Install the Drip Cup

## LOCATE THESE PARTS:

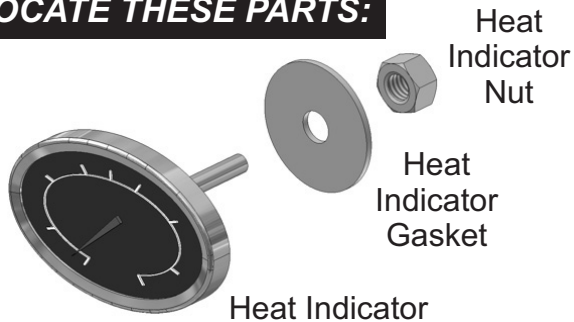


*No tools are required for this step.*

1. Underneath the grill tub, insert the drip cup holder into the mounting holes on either side of the grease drain hole.
2. Set the drip cup into the drip cup holder.

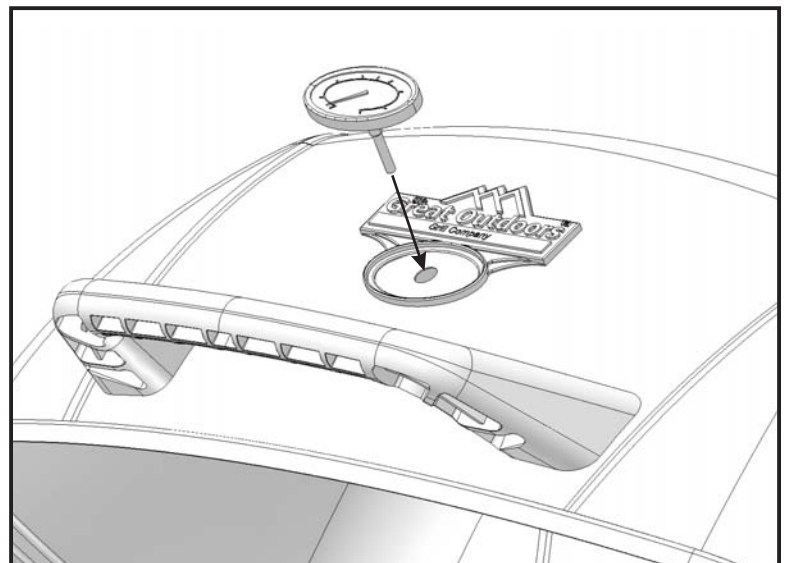


## LOCATE THESE PARTS:



*10mm wrench required for this step.*

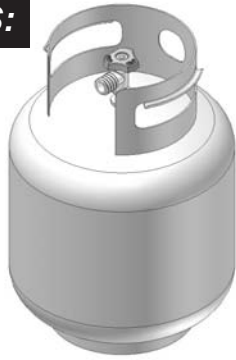
1. Insert the stem of the heat indicator into the front of the lid, through the name plate as shown.
2. From the inside of the lid, thread on the heat indicator gasket and nut. Securely tighten.



# Assembly Step 13 - Attaching the L.P. Gas Cylinder

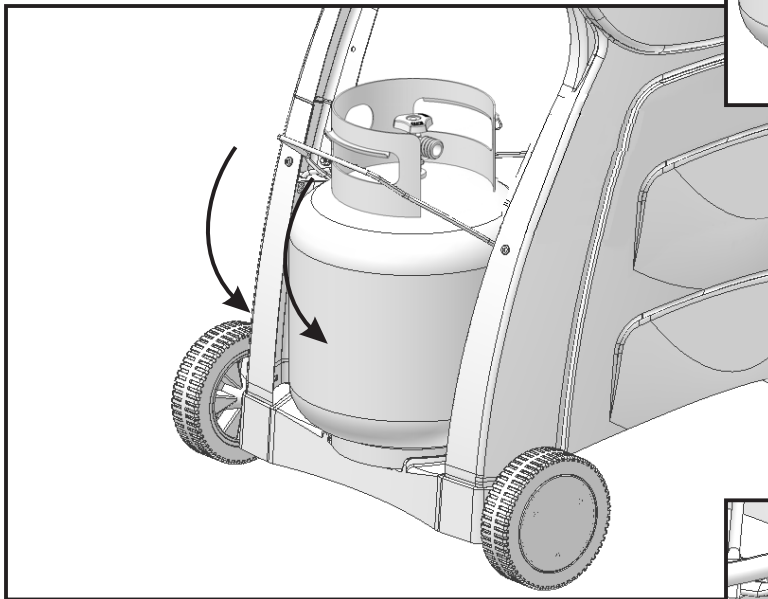
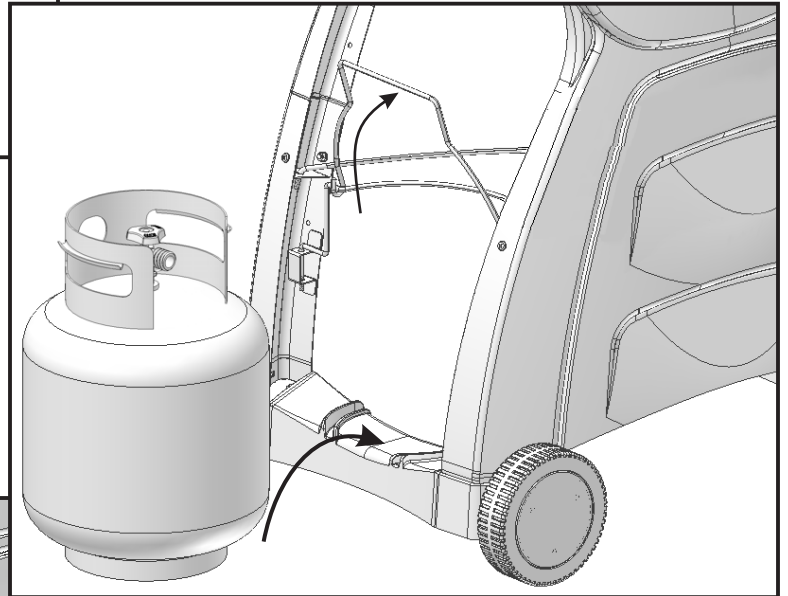
## LOCATE THESE PARTS:

L.P. Gas Cylinder  
(NOT INCLUDED)



In order to use your new grill immediately, have your L.P. Gas Cylinder filled prior to assembly.

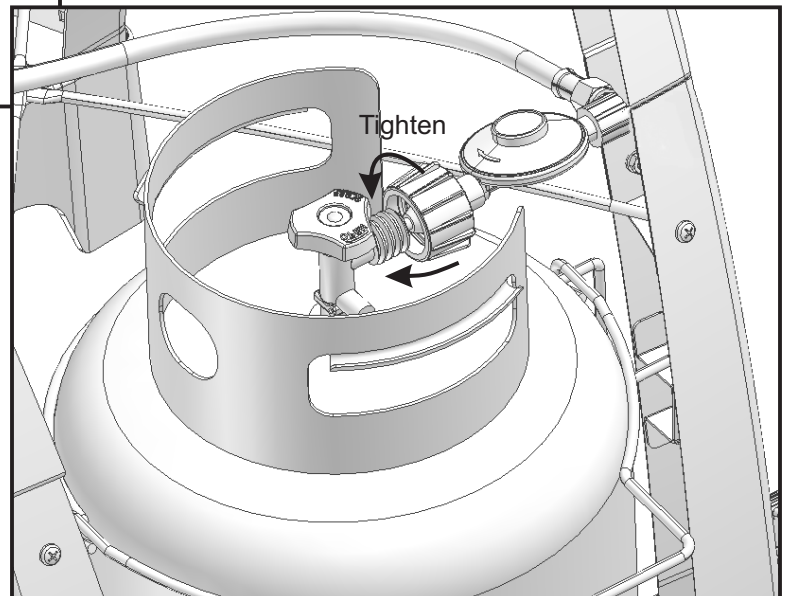
1. Lift the tank retainer wire up.
2. Set the L.P. Gas Cylinder onto the left foot of the grill, resting it in the grooves.



3. Lower the tank retainer wire down around the L.P. Gas Cylinder. Snap it snugly around the tank.

4. Attach the regulator to the L.P. Gas Cylinder valve.

**Refer to the following page for important L.P. Gas Cylinder connection information.**



# Connecting the L.P. Gas Cylinder



1. The top knob on the supply cylinder must be closed. See that the top cylinder knob is turned clockwise to a full stop.

2. Check that all the grill burner knobs are turned off.

3. Remove the protective caps from the cylinder valve and coupling nut, if present.

4. Hold the regulator in one hand and insert the nipple into the valve outlet. Be sure the nipple is centered in the valve outlet. The coupling nut connects to the large outside threads on the valve outlet. Use care not to cross thread the connection.

5. Hand tighten the coupling nut clockwise until it comes to a full stop. Tighten by hand only. Do not use tools.

6. **CAUTION:** In the connection process, the grill side of the connection will seal on the back check in the valve, resulting in a slight resistance. The connection requires

about one-half to three-quarters additional turn to complete the connection.

**NOTE:** If you cannot complete the final connection, disconnect the regulator and repeat steps 4 through 6. If you are still unable to complete the connection, do not use this valve and regulator.

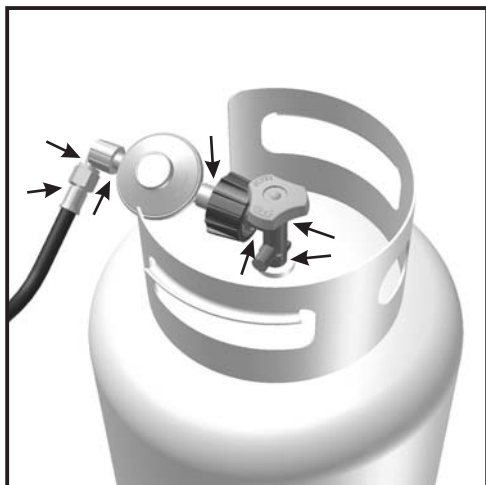
7. Make sure the hose has no kinks or sharp bends and clears any areas that will become hot during use. Never put strain on the hose where it joins a fitting. The rubber fuel supply hose must not touch the bottom grill casting during use.

8. Before lighting grill, check all connections for leaks using a mild soapy-water solution.

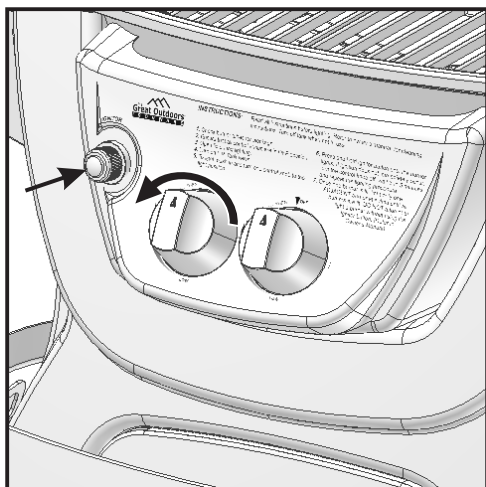
9. Make sure the Drip Cup is in place underneath the grill tub. During use the cup will catch hot grease drippings that could damage the fuel supply system.

# X-Frame Model Series Gas Grill

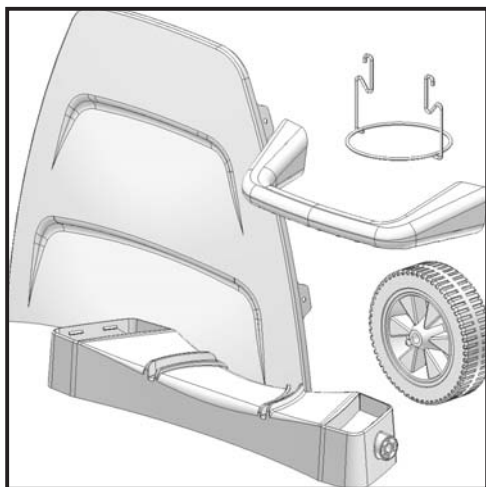
## Use and Care Directions Chapter 3



### Leak Testing the Fuel Supply System



### Lighting Instructions



### Replacement Parts

# Leak Testing

## DANGER

To prevent fire or explosion hazard:

- Do not smoke while performing a leak test.
- Do not permit any sources of ignition in the area when testing for leaks.
- Perform leak tests outdoors only.
- Never perform a leak test near a fire or flame.

## How to Check the Fuel Supply System for Gas Leaks

1. Mix a solution of equal parts mild detergent or liquid soap and water.
2. Turn off the burner control knobs.
3. Turn the top knob of the fuel-supply cylinder counterclockwise one rotation to open.
4. Apply the soap solution to all connections of fuel-supply assembly.

If no soap bubbles appear, the grill is fine for use.

If bubbles form at the connections, there is a leak. In case of a leak, try tightening the joint. If necessary, replace the faulty part with a replacement part recommended by the manufacturer.

5. Turn off the knob on fuel-supply cylinder.
6. Turn on the burner control knobs for a moment to release pressure in hose, then turn the control knobs back off.
7. Wash off soapy solution with cold water and towel dry.

**WARNING: Do not attempt to repair the cylinder valve. If it becomes damaged, the cylinder must be replaced.**

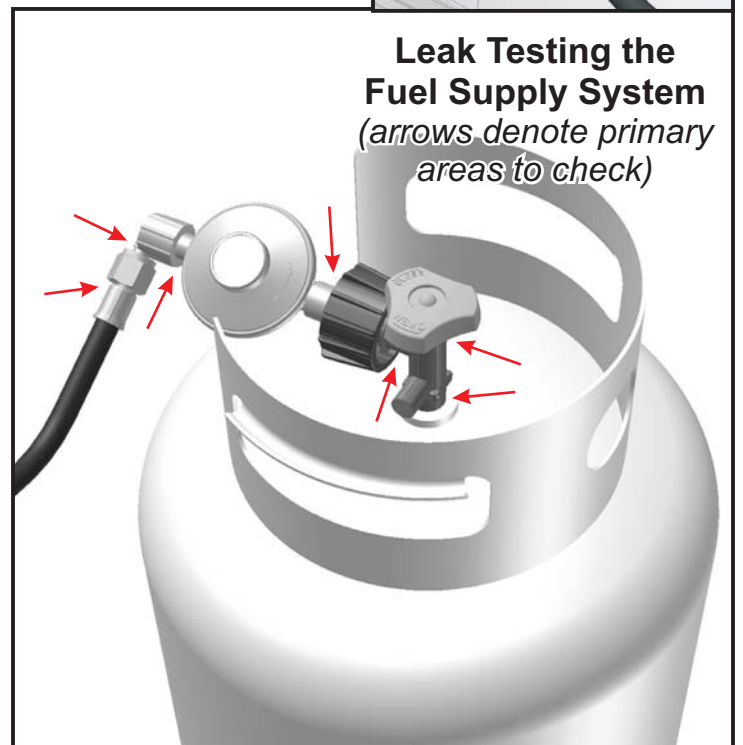
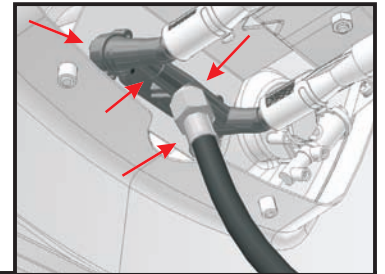
If you are unable to stop a leak, shut off the gas supply at the cylinder valve. Remove the cylinder from the grill. Call a gas appliance serviceman or L.P. gas dealer. Do not use appliance until the leak is fixed.

Perform a leak test each time the gas supply cylinder is connected to the regulator. Leak test any time a part of the gas system is replaced. Perform a leak test at least once each year whether the L.P. gas supply cylinder has been disconnected or not.

Have a dealer check the cylinder for deterioration after 10 years, according to DOT regulations. Immediately replace cylinder if any is found.

**IMPORTANT!** Inspect the gas supply hose regularly. If there are cuts, excessive abrasion or wear, replace the hose prior to operating the appliance.

Use only the hose replacement specified in the parts list for your grill.





# Lighting Instructions

## IGNITER LIGHTING SYSTEM

The Igniter System consists of an igniter unit, a gas-collector box, one ceramic electrode, and lead wires. Gas is collected in the metal collector box located at the burner. When the igniter knob is turned, an electric spark is created at the ceramic electrode. The gas is then ignited by the spark.

To test: Make sure the L.P. gas cylinder is shut off or disconnected. Watch the electrode tip inside the gas collector while activating the igniter. To avoid a possible shock, do not touch the burner or metal parts on igniter system while performing igniter test. A visible spark should jump from the electrode. The spark gap is set when the electrode is installed.

If there isn't a spark, check the lead wires and connections. The igniter wires should be kept away from the grill bottom. Also check that the ceramic electrode in the collector box is not broken.

Sometimes dirt and rust at and around the electrode can prevent an igniter spark. Clean them with a degreaser or warm soapy water, and dry. Remove rust from electrode tip and metal surfaces by lightly sanding with an emery cloth or fine-grain sandpaper.

The igniter battery may be removed and replaced by un-screwing the igniter button.

## LIGHTING INSTRUCTIONS

(Read all the steps before beginning.)

STEP 1. Check the burner venturi tubes for blockage from an insect nest (see, "CLEANING THE BURNER VENTURI TUBES").

STEP 2. Ensure that both of the burner-control knobs are in the OFF position.

### STEP 3. **OPEN GRILL LID**

**WARNING:** Attempting to light the grill with the lid down could cause an explosion.

STEP 4. Go behind the grill and turn on the fuel supply valve on the L.P. gas cylinder. Open the valve **only 1-1/2 turns**.

**CAUTION:** Do not stand with head or arms over the grill.

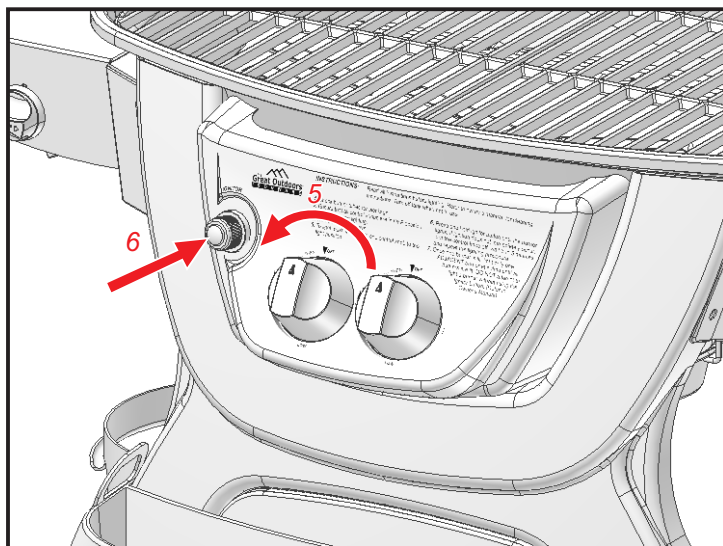
STEP 5. To light using the igniter: Push in and turn the left burner-control knob counter-clockwise to the high (light) setting.

STEP 6. Immediately press the igniter button. You will hear rapid clicks. Repeat if necessary.

The burner should light within 3-5 seconds.

STEP 7. If the burner fails to light properly, turn the burner control knob off. Also turn off the L.P. cylinder valve. Wait five minutes before attempting to light the burner again. This will allow time for released gas to disperse.

**HINT:** If the burner does not light after trying again, turn off burner-control knob, the L.P. cylinder valve and try match lighting the grill once the gas has cleared.



### Operating the Control Knobs

Use the **LEFT** burner gas control knob, **PUSH IN** and rotate counter-clockwise to the **HIGH** position.

**PRESS THE IGNITER BUTTON UNTIL IT CLICKS** rapidly to light the burner.

# Lighting Instructions

## MATCH LIGHTING

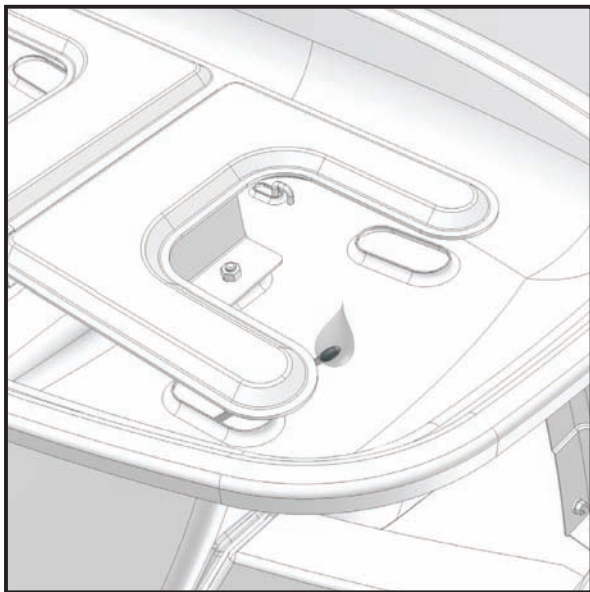
**IMPORTANT:** The match lighting hole is found under the front right corner of the grill bottom. When match lighting the grill, use the gas control knob on your **RIGHT-HAND** side (closest to the match lighting hole).

Repeat steps 1 to 4 of “Igniter Lighting Instructions.”

STEP 5. To match light: push down and turn the **RIGHT** burner control knob counterclockwise to the high setting.

STEP 6. **IMMEDIATELY** strike a match and position the burning match through match lighting hole in the grill bottom. Extend the flame near a burner port in the bottom edge of the burner. The burner should light. (A match holder is supplied in the hardware pack to hold and extend the match into the burning chamber.)

To light the other side of the burner, press in and turn the opposite control knob. The flame will track around the burner. Allow grill to preheat with the grill lid closed for five to ten minutes before cooking.



### Locating the Match Lighting Hole

The match lighting access hole is located underneath the bottom of the grill tub.

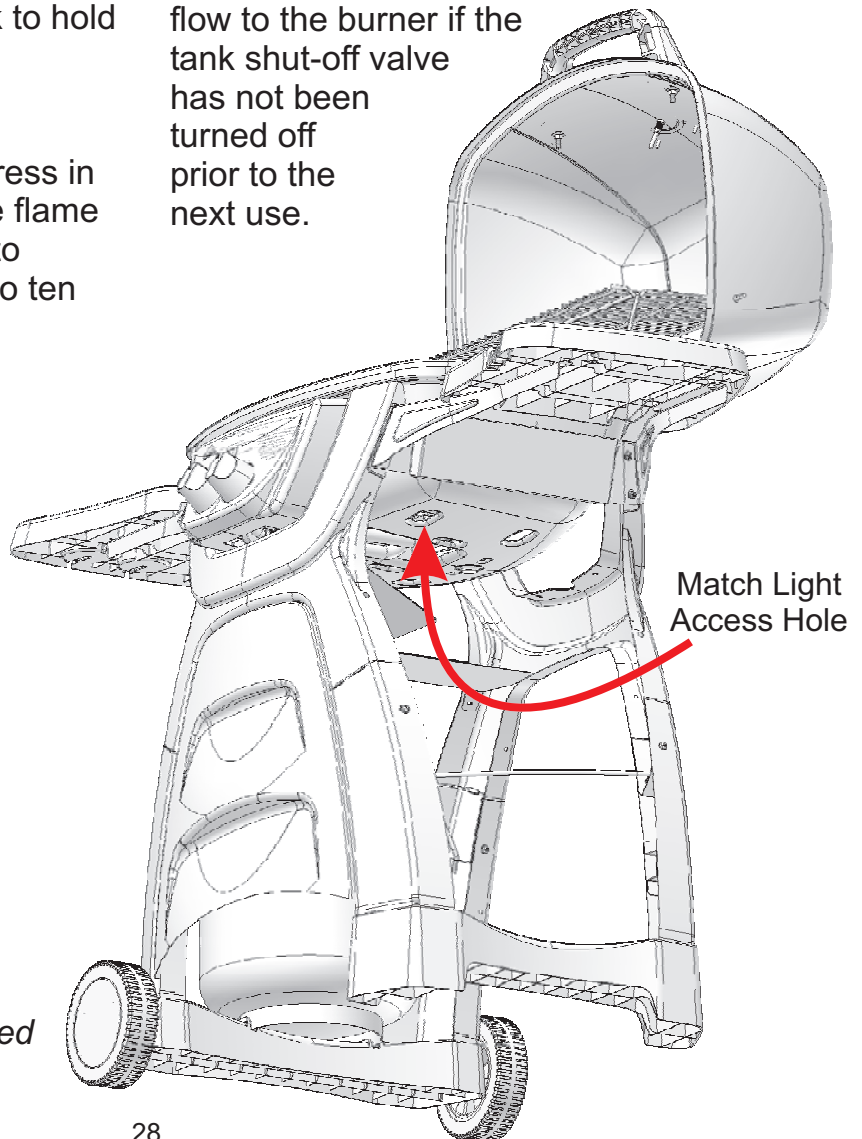
**CAUTION:** Do not touch any hot grill parts. The outside of the grill bottom becomes very hot during use. It may be necessary to use protective gloves.

## HOW TO SHUT OFF THE GRILL

STEP 1. Turn the burner-control knob(s) off. The burner flame will go out.

STEP 2. Turn off the top L.P. cylinder valve by turning the knob in a clockwise direction until it stops.

**IMPORTANT:** Always have the gas shut off at the L.P. cylinder valve when the grill is not in use. The L.P. cylinder has a leak detection feature which will restrict the amount of gas flow to the burner if the tank shut-off valve has not been turned off prior to the next use.



# Model A053041 Replacement Parts

Replacement parts are available direct from our warehouse. Some components are not available preassembled and may be ordered separately. For convenience, the following parts list is provided along with a representation of the items listed. Charges for replacement parts and shipping may apply. For warranty replacements, proof of ownership and

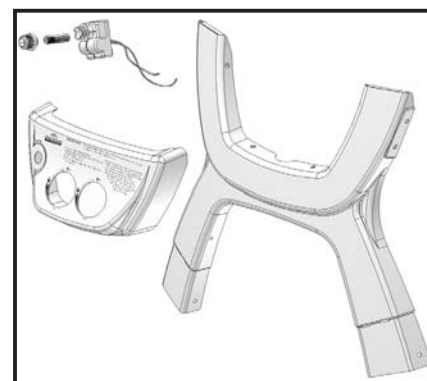
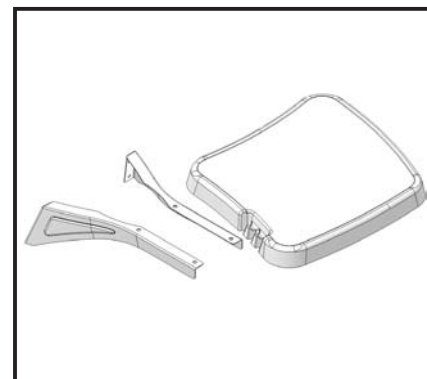
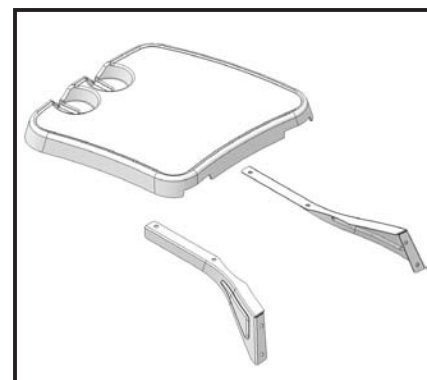
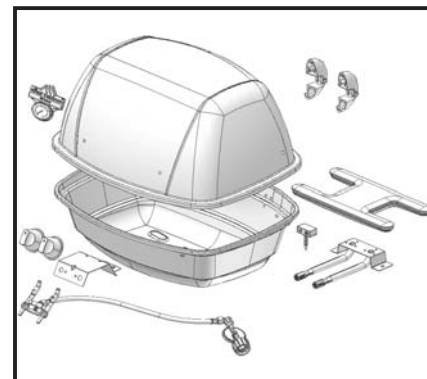
date of purchase is required. Please call to receive a return authorization number before returning any grill components. To order parts call toll free in the USA: **1-800-944-8982**  
in Canada: **1-800-668-5323**

## Parts and Assemblies (See page 10)

<i>description</i>	<i>part no.</i>
Master Hardware Pack	AZ001354
Grill Head Assembly	See Right
Warming Rack	AZ001319
Cooking Grid	AZ001355
Heat Plate	AZ001356
Lid Handle	AZ001320
Drip Cup	AZ001314
Drip Cup Holder	AZ001315
Wire X-Brace	AZ001357
Wire Tank Retainer	AZ001358
Left Side Table Assembly	See Right
Right Side Table Assembly	See Right
Front X-Frame Assembly	See Right
Rear X-Frame	AZ001302
Left Leg	AZ001305
Right Leg	AZ001306
Left Foot (Tank Holder)	AZ001359
Right Foot	AZ001360
Wheel	AZ001310
Axle	AZ001361
Modesty Panel	AZ001311
Tank Heat Shield	AZ001362

## Sub-Assemblies

<i>description</i>	<i>part no.</i>
<b>Grill Head Assembly</b>	<b>AZ001342</b>
Grill Lid	AZ001343
Heat Indicator / Nameplate	AZ001333
Left Hinge Assembly	AZ001335
Right Hinge Assembly	AZ001336
Grill Tub	AZ001344
Valve Mounting Bracket	AZ001326
HVR Assembly	AZ001345
Burner Control Knob	AZ001325
Venturi Assembly	AZ001346
Stainless Steel H-Burner	AZ001347
Ignitor Electrode Assembly	AZ001365
<b>Left Side Table Assembly</b>	<b>AZ001348</b>
Table Mounting Bracket (L)	AZ001349
Table Mounting Bracket (R)	AZ001350
Left Side Table	AZ001351
Side Bracket (Tub Mount)	AZ001364
<b>Right Side Table Assembly</b>	<b>AZ001352</b>
Table Mounting Bracket (L)	AZ001349
Table Mounting Bracket (R)	AZ001350
Right Side Table	AZ001353
Side Bracket (Tub Mount)	AZ001364
<b>Front X-Frame Assembly</b>	<b>AZ001301</b>
Front X-Frame	AZ001302
Control Panel	AZ001330
Ignitor Module w/ Wires	AZ001328
Ignitor Battery	AZ000803



## Free Manuals Download Website

<http://myh66.com>

<http://usermanuals.us>

<http://www.somanuals.com>

<http://www.4manuals.cc>

<http://www.manual-lib.com>

<http://www.404manual.com>

<http://www.luxmanual.com>

<http://aubethermostatmanual.com>

Golf course search by state

<http://golfingnear.com>

Email search by domain

<http://emailbydomain.com>

Auto manuals search

<http://auto.somanuals.com>

TV manuals search

<http://tv.somanuals.com>