

---

# Dyna-Glo<sup>®</sup>

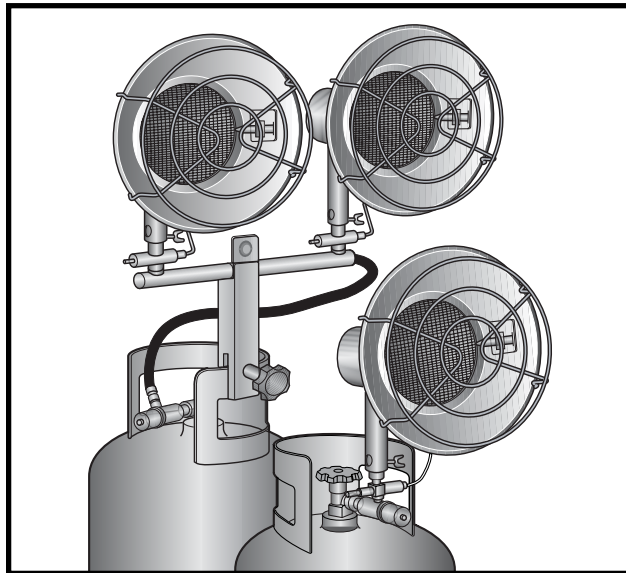
## Liquid Propane Tank Top Heaters

---

### USER'S INSTALLATION, OPERATION AND MAINTENANCE MANUAL

#### MODELS:

RMC-TT15 (PROPANE, 15,000 BTU/HR), RMC-TT15P (PROPANE, 15,000 BTU/HR)  
RMC-TT30 (PROPANE, 30,000 BTU/HR), RMC-TT30P (PROPANE, 30,000 BTU/HR)



**WARNING:** If the information in this manual is not followed exactly, a fire or explosion may result causing property damage, personal injury or loss of life.

- Do not store or use gasoline or other flammable vapors and liquids in the vicinity of this or any other appliance.
- An LP cylinder not connected for use shall not be stored in the vicinity of this or any other appliance.
- WHAT TO DO IF YOU SMELL GAS
  - **Do not try to light appliance**
  - **Extinguish any open flame**
  - Shut off gas to appliance
- Service must be **performed** by a **qualified** service agency.

California Prop 65- Fuels in gas or oil-fired appliances and the products of combustion of such fuels, contain chemicals known to the State of California to cause cancer, birth defects and other reproductive harm.

**CONSUMER: RETAIN THIS MANUAL FOR FUTURE REFERENCE.**

20005209 9/02 Rev. 1

# Table of Contents

Specifications .....	2
General Safety Instructions .....	3
Safety Precautions .....	3
Heater Assembly .....	4
Connecting Heater to Propane Tank .....	4
Operation .....	4
Operating Information .....	4
Lighting Instructions when Using Piezo .....	5
To Turn Off Heater .....	5
Lighting Instructions when Using Match .....	6
To Turn Off Heater .....	6
Technical Service and Replacement Parts .....	6
Warranty .....	7

## Specifications

Model	BTU Output (high)	Ignition Type	Operating Time (20lb. cyl.)	UPC	Carton Dims.	Packaged Weight	Country of Origin	Warranty
RMC-TT15	15,000	Match	28 Hrs. (high)	03511102015-9	18"x15"x12"	16lbs (est)	So. Korea	1 Year
RMC-TT15P	15,000	Piezo	28 Hrs. (high)	03511102016-6	18"x15"x12"	16lbs (est)	So. Korea	1 Year
RMC-TT30	30,000	Match	14 Hrs. (high)	03511102030-2	30"x13"x15½"	32lbs (est)	So. Korea	1 Year
RMC-TT30P	30,000	Piezo	14 Hrs. (high)	03511102031-9	30"x13"x15½"	32lbs (est)	So. Korea	1 Year

### General Hazard Warning



**Failure to comply with the precautions and instructions provided with this heater, can result in death, serious bodily injury and property loss or damage from hazards of fire, explosion, burn, asphyxiation and carbon monoxide poisoning.**

**Only persons who can understand and follow the instructions should use or service this heater.**

**If you need assistance or heater information such as an instruction manual, labels, etc. contact the manufacturer.**

## General Safety Instructions

Accidents are always tragic, especially because so many of them could have been prevented with a little care and judgement. The following are basic good practices, we hope you will follow for the safe use of your heater.

**Important:** Read this user's manual carefully and completely before trying to operate or service this heater. Improper use of this heater can cause serious injury or death from burns, fire, explosion and carbon monoxide poisoning.

## Safety Precautions

Make certain you read and understand all warnings. Do not allow anyone who has not read this manual to operate this heater. Keep this manual for reference. It is your guide to safe and proper operation of this heater.

1. Check the heater thoroughly for damage. DO NOT operate a damaged heater.
2. Do not modify the heater or operate a heater which has been modified from its original condition.
3. Read and understand this manual before assembling or using this heater. Improper use of this heater can cause serious injury.
4. For outdoor use only. Do not use inside house, camper, tent, vehicle or any type of unvented or enclosed area.
5. Never operate heater while sleeping or unattended. Keep children and animals away from heater.
6. This heater produces carbon monoxide, which is listed by the State of California as a reproductive toxin under Proposition 65.
7. Minimum heater clearances from combustibles:

Top and Front	5 ft.
Sides and Rear	3 ft.
8. Use only in well vented areas.
9. Use only propane gas set up for vapor withdrawal.
10. Before connecting heater to propane tank, make sure heater regulator knob is in the "OFF" position. Always connect and light heater in areas free of open flames.
11. Before each use, check heater for leaks. Never use an open flame to check for a leak. Apply a mixture of liquid soap and water to all joints. Bubbles forming show a leak. Correct all leaks at once.
12. Locate propane tank on a stable and level surface. The heater burners must be at least two feet above the floor. Always attach heater to propane tank in an upright position. Never operate heater on its side or attach to propane tank in a horizontal position. This could lead to dangerous flare-ups or fire.
13. Do not use heater in basement or below ground level. Propane is heavier than air. If a leak occurs, propane gas will sink to the lowest possible level. If you smell gas or suspect a leak, shut off the propane tank valve at once and ventilate the area. Do not strike a match or create any flame or electric spark. Find and correct leak before attempting to light any appliance. If you cannot correct leak, do not tamper with heater. Return heater to nearest authorized service center or to address on back page of this manual, freight prepaid.
14. Do not remove or handle a hot or operating heater. Do not attach or remove a propane tank from a hot or operating heater. Severe burns may result.
15. Always remove heater from propane tank after each use. Always store propane tank outdoors. Never store propane tank in an enclosed area. Never store propane tank near high heat, open flame or where temperatures exceed 100°F.
16. Keep all connections and fittings clean. Make sure propane tank valve outlet is clean. Check the "O" ring on the heater inlet fuel connector for damage before each use. Replace if worn or damaged.
17. Do not attempt to light one burner off of the other. Use one match per burner.
18. Do not overlap or point burners at each other.
19. Do not raise burner heads and cover air inlet holes in mixing tube with burner head bracket.
20. Wing nuts and burner heads become very hot during operation. Do not attempt to adjust burner position while heater is operating. Allow 15 minutes to cool.
21. Check heater for damage before each use. Do not use a damaged heater. Do not alter heater. Keep heater in its original state. Do not use heater if altered.
22. If possible, keep containers in a warm area (**under no circumstances should the heater exhaust be directed toward the propane container**).

## Heater Assembly (Dual burner models only)

The tank collar bracket must be assembled before the heaters can be attached to the propane tank.

1. Align bolt holes in tank collar bracket and piezo bracket with bolt holes in center plate on manifold.
2. Thread two machine screws into the bolt holes attaching tank collar bracket and piezo bracket to center plate on manifold. (Fig. 1)
3. Connect spark plug cable (left) and spark plug cable (right) into each terminal of piezo lighter.



**CAUTION:** The spark plug cables have different connectors. Be sure to connect each spark plug into the correct terminal. Make sure terminals are securely connected.

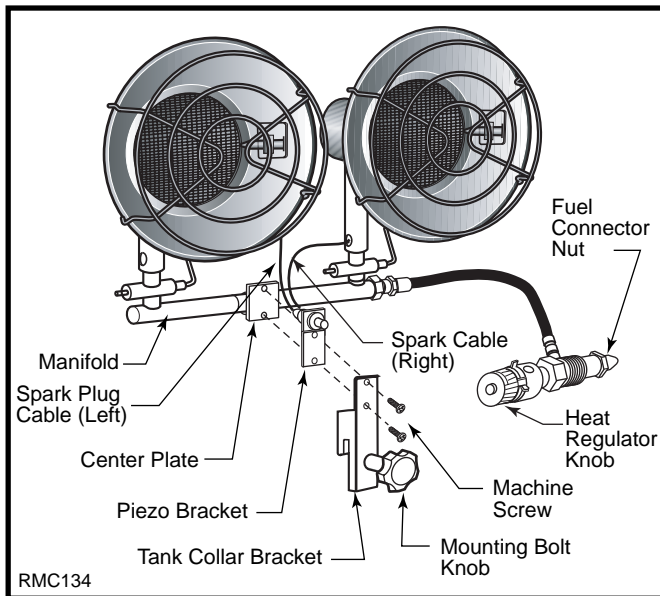


Fig. 1 Assemble tank collar bracket.

## Connecting Heater to Propane Tank

Read and understand all safety information before connecting heater to propane tank.

1. (Applies to dual burner models only). Place heater onto tank with tank collar bracket over tank collar (Fig. 1) Mounting bolt knob should be positioned to the outside of tank collar.
2. (Applies to dual burner models only). Firmly secure to tank by hand-tightening mounting bolt knob. Do not overtighten mounting bolt knob.
3. Make sure heater regulator knob is in the "OFF" position.
4. Wrench tighten the fuel connector nut into the propane tank valve with both gas hose fittings in a horizontal position. (Fig. 1) Turn fuel connector nut counterclockwise to tighten. Threads are left-handed.

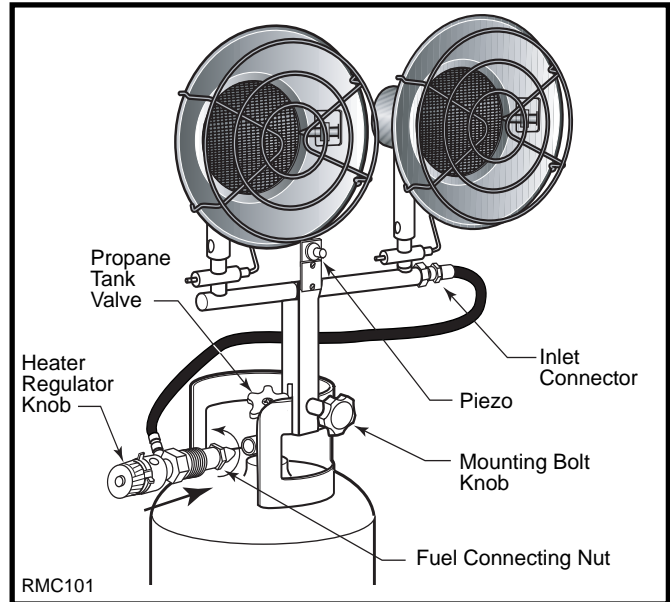


Fig. 2 Attach heater to tank with tank collar bracket.

5. Connect the hose to inlet connector. (Fig. 2) Tighten firmly using wrench. Make sure hose is connected before opening the tank valve.
6. Open propane tank valve slowly.
7. Check all fittings for leaks. Apply a mixture of liquid soap and water to all joints. Bubbles forming show a leak. Correct all leaks at once.



**WARNING:** Never use an open flame to check for leaks.

8. Always remove propane tank from heater after each use. Do not store heater while attached to propane tank.

## Operation



**WARNING:** Burner and Burner Guard should always face away from propane tank shut-off and regulator.



**WARNING:** Improper installation, alteration, service or maintenance can cause property damage, injury or death. Read the installation, operating and maintenance instructions thoroughly before installing or servicing this equipment.

## Operating Information

This is a propane, direct-fired, heater. Its intended use is primarily temporary heating of buildings under construction, alteration or repair.



**WARNING:** Not for home or recreational vehicle use.

Propane is heavier than air. If propane leaks from a connection or fitting, it sinks to the floor, collecting there with the surrounding air, forming a potentially explosive mixture. Obviously, propane leaks should be avoided, so set up the propane supply with utmost care. Leak check new connections or reconnections with a soap and water solution and follow all connection instructions herein. Also ask your propane dealer for advice on the propane supply installation and ask him to check it if there are any questions.

**Direct-fired** means that all of the combustion products from burning propane enter the heated space. Even though this heater operates very close to 100 percent combustion efficiency, it still produces small amounts of carbon monoxide. Carbon monoxide (called CO) is toxic.

CO can build up in a heated space and failure to provide adequate ventilation could result in death. The symptoms of inadequate ventilation are:

headache  
dizziness  
burning eyes and nose  
nausea  
dry mouth or sore throat

So, be sure to follow advice about VENTILATION in these operating instructions.



**WARNING: Do not look over top of heater (reflector) during ignition.**

**This heater may produce a small puff of flame during ignition, which could result in serious bodily injury.**

## Lighting Instructions when Using Piezo



**WARNING: Review and understand the Safety Information on page 3 before lighting the Tank Top Heater.**





**CAUTION: Due to high surface temperature, keep children, clothing and furniture away.**

**Keep burner and control compartment clean.**

**This heater shall not be installed in a bedroom or a bathroom.**



**WARNING: Hot while in operation: Do not touch. Keep children, clothing, furniture, gasoline and other liquids having flammable vapors away.**

1. **Stop!** Read all safety information.
2. Check that gas supply to the heater is on.
3. Turn heater regulator knob clockwise  to "OFF" position.
4. Wait five (5) minutes to clear out any air. Then smell for gas, including near the floor. If you smell gas, STOP! Follow "B" in the safety information on the side of heater. If you do not smell gas, go to the next step.
5. Turn heater regulator knob counterclockwise  to "Hi" position. Press in safety shut-off valve plunger for five (5) seconds. (Fig. 3)

**NOTE:** The first time the heater is operated after connecting the gas supply, the safety shut-off valve plunger should be depressed for about thirty (30) seconds. This will allow air to bleed from the gas system.

6. With safety shut-off valve plunger pressed in, push down and release piezo ignitor button. This will light pilot. If needed, keep pressing piezo ignitor button until pilot lights.
7. Keep safety shut-off valve plunger pressed in for thirty (30) seconds after lighting pilot. After 30 seconds, release safety shut-off valve plunger.
8. If burner goes out, repeat steps 5 through 7 or use a match. If heater will not light after repeated attempts, do not attempt to repair heater. Return heater to nearest authorized service center or to the address on back of this manual, freight prepaid.
9. When burner is lit, turn heater regulator knob to desired heat setting (LO, MED, HI).
10. Light both burners when maximum heat is needed. Use one burner to conserve fuel.

## To Turn Off Heater

1. Tightly close propane tank valve by turning clockwise.
2. Turn the heater regulator knob to the "OFF" position. Wait at least 15 minutes for the heater to cool before handling heater.
3. Always remove the heater from the propane tank after each use. Do not store heater while attached to propane tank in an enclosed area.

## Lighting Instructions when Using Match

Read and understand all safety information before operating heater.



**WARNING:** Do not raise burner heads and cover air inlet holes in mixing tube with burner bracket.



**WARNING:** Make sure there is no open flame in the area. Fully open the propane tank valve.

1. Turn heater regulator knob counterclockwise to the "Hi" position. (Fig. 3)

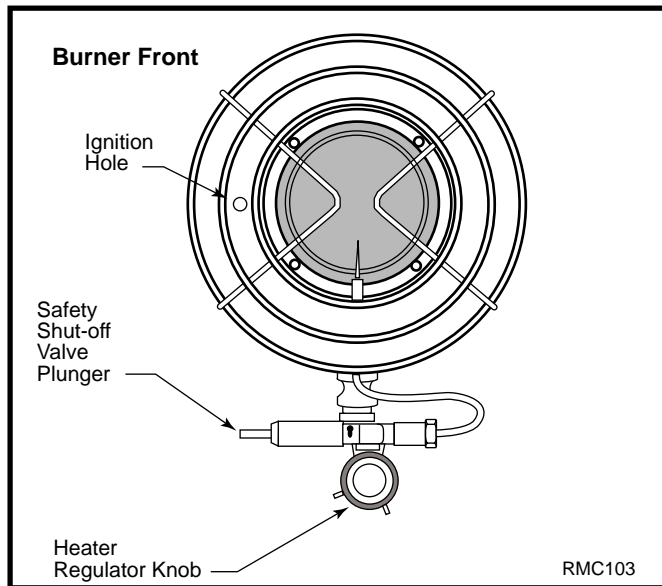


Fig. 3 Burner front.



**WARNING:** Stand to the side of unit while lighting. Do not stand or have any part of your body over or in front of heater while lighting.

2. Do not attempt to light one burner off of the other. Use one match per burner. Locate ignition hole in side of burner. (Fig. 4) Hold a lit match under ignition hole.



**CAUTION:** Do not insert match into air inlet holes in mixing tube.

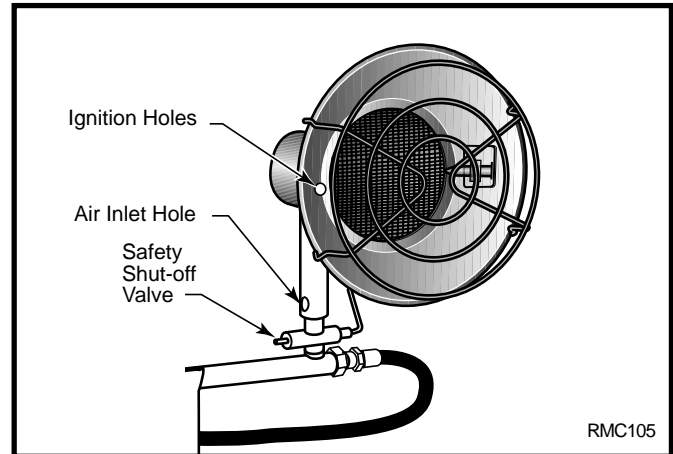


Fig. 4 Place lit match under ignition hole.

3. Push in the safety shut-off valve plunger (Fig. 3)



**WARNING:** Do not push in safety shut-off valve plunger before inserting lit match.

4. Burner should light. Mesh screen on burner glows red when lit. After burner is lit, continue holding in safety shut-off valve plunger (about 10 - to 30 seconds) until heater stays lit.
5. If the burner does not light within 30 seconds, turn regulator knob to the "OFF" position. Wait at least two minutes for the gas to dissipate before relighting.
6. If heater will not light after repeated tries, do not attempt to repair heater. Return heater to nearest authorized service center or to the address on back of this manual, freight prepaid.
7. After burner lights, turn the heater regulator knob to the desired heat setting (LOW, MED, or HI).
8. Light both burners when maximum heat is needed. Use one burner to conserve fuel. Repeat steps to light second burner.

## To Turn Off Heater

1. Tightly close propane tank valve by turning clockwise.
2. Turn the heater regulator knob to the "OFF" position. Wait at least 15 minutes for the heater to cool before handling heater.
3. Always remove the heater from the propane tank after each use. Do not store heater while attached to propane tank in an enclosed area.

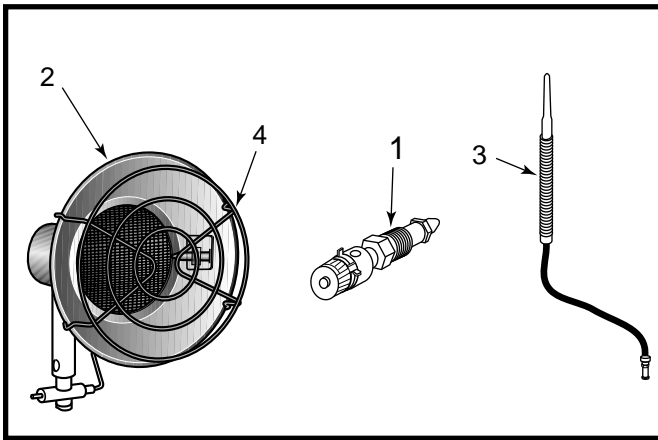
## Technical Service and Replacement Parts

For assistance in servicing your heater and parts under warranty, contact the Technical Service Department at 1-800-527-4948.

Parts under warranty: Contact authorized dealers of this product. If they can not supply original replacement parts, either contact your nearest authorized service center or call CFM RMC International Technical Service Department at 1-800-527-4948.

Parts not under warranty: Contact authorized dealers of this product. If they can not supply these accessories or parts, either contact your nearest Part Central or CFM RMC International at 1-800-527-4948.

## Replacement Parts



CFM RMC International reserves the right to make changes in design, materials, specifications, prices and discontinue colors and products at any time, without notice.

Item	Description	Part Number
1	Regulator Assembly	2TT0001A
2	Burner Assembly	1TT0004A
3	Thermocouple Assembly	DSA01B
4	Guard Assembly	2TT0004A

# Warranty

## Service and Limited Warranty

CFM RMC International warrants this product to be free from defects in materials and components for one (1) year from the date of first purchase, provided that the product has been properly installed, operated and maintained in accordance with all applicable instructions. To make a claim under this warranty the Bill of Sale or cancelled check must be presented.

This warranty is extended only to the original retail purchaser. This warranty covers the cost of part(s) required to restore this heater to proper operating condition and an allowance for labor when provided by a CFM RMC Authorized Service Center. Warranty part(s) MUST be obtained through authorized dealers of this product and/or CFM RMC International who will provide original factory replacement parts. Failure to use original factory replacement parts voids this warranty. The heater MUST be installed by a qualified installer in accordance with all local codes and instructions furnished with the unit.

This warranty does not apply to parts that are not in original condition because of normal wear and tear, or parts that fail or become damaged as a result of misuse, accidents, lack of proper maintenance or defects caused by improper installation. Travel, diagnostic cost, labor, transportation and any and all such other costs related to repairing a defective heater will be the responsibility of the owner.

TO THE FULL EXTENT ALLOWED BY THE LAW OF THE JURISDICTION THAT GOVERNS THE SALE OF THE PRODUCT; THIS EXPRESS WARRANTY EXCLUDES ANY AND ALL OTHER EXPRESSED WARRANTIES AND LIMITS THE DURATION OF ANY AND ALL IMPLIED WARRANTIES, INCLUDING WARRANTIES OF MERCHANTABILITY AND FITNESS FOR A PARTICULAR PURPOSE TO ONE (1) YEAR FROM THE DATE OF FIRST PURCHASE; AND CFM RMC INTERNATIONAL'S LIABILITY IS HEREBY LIMITED TO THE PURCHASE PRICE OF THE PRODUCT AND CFM RMC INTERNATIONAL SHALL NOT BE LIABLE FOR ANY OTHER DAMAGES WHATSOEVER INCLUDING INDIRECT, INCIDENTAL OR CONSEQUENTIAL DAMAGES.

Some states do not allow a limitation on how long an implied warranty lasts or an exclusion or limitation of incidental or consequential damages, so the above limitation on implied warranties, or exclusion or limitation on damages may not apply to you.

This warranty gives you specific legal rights, and you may also have other rights that vary from state to state.

Always specify model and serial numbers when communicating with the factory.

Model \_\_\_\_\_

Serial No. \_\_\_\_\_

Date Purchased \_\_\_\_\_

## CFM RMC International

3501 W. Howard Street  
Skokie, IL 60076  
1 800-527-4948



---

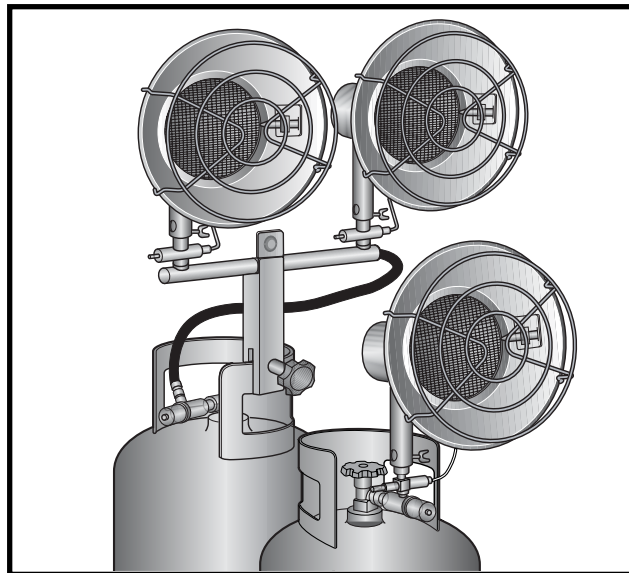
# Dyna-Glo<sup>®</sup>

## Calentadores montados en la parte superior de tanques de propano líquido

---

### MANUAL DE MANTENIMIENTO, OPERACIÓN E INSTALACIÓN DEL USUARIO PARA LOS MODELOS:

RMC-TT15 (15,000 BTU/HR, PROPANO), RMC-TT15P (15,000 BTU/HR, PROPANO)  
RMC-TT30 (30,000 BTU/HR, PROPANO), RMC-TT30P (30,000 BTU/HR, PROPANO)



**ADVERTENCIA:** Si no se sigue exactamente la información de este manual, podría ocurrir un incendio o una explosión y causar daños materiales, lesiones personales o pérdida de la vida.

- No almacene ni utilice gasolina u otros vapores y líquidos inflamables cerca de éste ni de ningún otro aparato.
- Los cilindros de PL que no estén conectados para usarse no deberán almacenarse cerca de éste ni de ningún otro aparato.
- QUÉ HACER SI HUELE A GAS
  - **No trate de encender el aparato**
  - **Apague toda llama encendida**
  - Cierre el gas que va al aparato
- El servicio debe llevarlo a cabo una agencia calificada de servicio.

Proposición de California 65 - Los combustibles de los aparatos de gas o de aceite y los productos de combustión tal como los combustibles, contienen sustancias químicas conocidas por el Estado de California como causantes de cáncer, defectos de nacimiento y otros daños reproductivos.

**CONSUMIDOR: CONSERVE ESTE MANUAL COMO REFERENCIA FUTURA.**

20005209 9/02 Rev. 1

# Índice

Especificaciones .....	2
Instrucciones generales de seguridad .....	3
Precauciones de seguridad .....	3
Ensamble del calentador .....	4
Conexión del calentador al tanque de propano .....	4
Funcionamiento .....	5
Información de funcionamiento .....	5
Instrucciones de encendido cuando se usa piezo .....	5
Para apagar el calentador .....	6
Instrucciones de encendido cuando se utiliza un fósforo .....	6
Para apagar el calentador .....	7
Servicio técnico y piezas de repuesto .....	7
Garantía .....	8

## Especificaciones

Modelo	Salida BTU (alta)	Tipo de encendido	Tiempo de funcionamiento (cilindro de 20 lb.)	UPC (Código universal de productos)	Dimensiones de la caja	Peso empacado	País de origen	Garantía
RMC-TT15	15,000	Fósforo	28 horas (alta)	03511102015-9	18"x15"x12"	16lbs (est)	Corea del Sur	1 año
RMC-TT15P	15,000	Piezo	28 horas (alta)	03511102016-6	18"x15"x12"	16lbs (est)	Corea del Sur	1 año
RMC-TT30	30,000	Fósforo	14 horas (alta)	03511102030-2	30"x13"x15½"	32lbs (est)	Corea del Sur	1 año
RMC-TT30P	30,000	Piezo	14 horas (alta)	03511102031-9	30"x13"x15½"	32lbs (est)	Corea del Sur	1 año

### Advertencia general de peligros



**No cumplir con las precauciones e instrucciones provistas con este calentador, puede causar la muerte, lesiones físicas graves y pérdidas materiales o daños debidos a los peligros de incendio, explosión, quemaduras, asfixia y envenenamiento con monóxido de carbono.**

**Solamente las personas que pueden entender y seguir las instrucciones deben usar o darle servicio a este calentador.**

**Si necesita asistencia o información relacionada con el calentador tal como el manual de instrucciones, etiquetas, etc., comuníquese con el fabricante.**

## Instrucciones generales de seguridad

Los accidentes siempre son trágicos, especialmente porque muchos de ellos podían haberse evitado con un poco de cuidado y buen juicio. Las siguientes son buenas prácticas básicas, esperamos que usted las siga para usar de manera segura su calentador.

**Importante:** Lea cuidadosamente y en su totalidad este manual del usuario antes de intentar operar o darle servicio a este calentador. El uso incorrecto de este calentador puede causar lesiones graves o la muerte por quemaduras, incendios, explosiones y envenenamiento con monóxido de carbono.

## Precauciones de seguridad

Asegúrese de leer y entender todas las advertencias. No permita que nadie que no haya leído este manual opere el calentador. Conserve este manual para referencia futura. Es su guía para el funcionamiento seguro y correcto del calentador.

1. Revise completamente el calentador para ver si tiene daños. NO lo opere si está dañado.
2. No modifique el calentador ni lo opere si se alterará de alguna manera su condición original.
3. Lea y entienda este manual antes de ensamblar o usar el calentador. El uso incorrecto puede causar lesiones graves.
4. Para usarse en exteriores solamente. No lo use adentro de la casa, de un vehículo recreativo, una tienda de campaña ni ningún tipo de área encerrada sin ventilación.
5. Nunca opere el calentador mientras duerme o sin atenderlo. Mantenga a los niños y animales alejados del calentador.
6. Este calentador produce monóxido de carbono, el cual se encuentra listado por el Estado de California como una toxina para la reproducción bajo la Proposición 65.
7. Los espacios libres mínimos del calentador a los combustibles son:

Por encima y por delante	5 pies
Por los lados y por detrás	3 pies
8. Úselo solamente en áreas bien ventiladas.
9. Use solamente gas propano ajustado para extracción de vapor.
10. Antes de conectar el calentador al tanque de propano, asegúrese de que la perilla del regulador del calentador esté en la posición apagada "OFF". Siempre conecte y encienda el calentador en áreas donde no haya llamas encendidas.
11. Antes de cada uso, verifique que el calentador no tenga fugas. Nunca use una llama para revisar las fugas. Aplique una mezcla de jabón líquido y agua a todas las uniones. Si se forman burbujas querrá decir que hay una fuga. Arregle todas las fugas de inmediato.
12. Coloque el tanque de propano en una superficie estable y bien nivelada. Los quemadores del calentador deben estar cuando menos a dos pies por encima del nivel del piso. Siempre fije el calentador al tanque de propano en posición vertical. Nunca opere el calentador colocándolo de lado ni lo fije al tanque de propano en posición horizontal. Esto podría causar llamaradas peligrosas o incendios.
13. No use los calentadores en sótanos ni debajo del nivel de tierra. El propano es más pesado que el aire. Si ocurre una fuga, el gas propano se hundirá al nivel más bajo posible. Si huele a gas o sospecha que hay una fuga, cierre la válvula del tanque de propano inmediatamente y ventile el área. No encienda un fósforo ni produzca ninguna llama ni chispa eléctrica. Localice y corrija la fuga antes de tratar de encender el aparato. Si no puede arreglar la fuga, no altere el calentador. Lleve el calentador al centro autorizado de servicio más cercano o envíelo a la dirección que se encuentra en la última página de este manual, con flete prepago.
14. No quite ni maneje un calentador caliente o que esté funcionando. No fije ni quite un tanque de propano de un calentador caliente ni que esté funcionando. Podrían ocurrir quemaduras graves.
15. Siempre quite el calentador del tanque de propano después de cada uso. Siempre almacene el tanque de propano en el exterior. Nunca almacene el tanque de propano en áreas encerradas, cerca de fuentes de calor, de llamas encendidas ni en lugares en donde la temperatura sobrepase de 100° F.
16. Mantenga limpias todas las conexiones y accesorios. Asegúrese de que la salida de la válvula del tanque de propano se conserve limpia. Revise el aro tórico del conector de combustible de entrada al calentador antes de cada uso, para ver si está dañado. Cámbielo si está desgastado o dañado.
17. No trate de encender un quemador con el otro. Use un fósforo en cada quemador.
18. No sobreponga ni oriente los quemadores entre sí.
19. No suba las cabezas de los quemadores ni cubra los orificios de entrada de aire en el tubo de mezclado con el soporte de la cabeza del quemador.
20. Las tuercas de mariposa y las cabezas del quemador se calientan mucho durante el funcionamiento. No trate de ajustar la posición del quemador mientras esté funcionando el calentador. Deje que se enfríe durante 15 minutos.
21. Antes de cada uso, verifique que el calentador no esté dañado; no lo use si encuentra daños. Conserve el calentador en su estado original. No lo use si está ha habido alteraciones.
22. Si es posible, mantenga los recipientes en un área tibia (**bajo ninguna circunstancia deberá dirigirse el escape del calentador hacia el recipiente de propano**).

## Ensamble del calentador (únicamente en modelos con quemador doble)

El soporte del collarín del tanque se debe ensamblar antes de que los calentadores se puedan conectar al tanque de propano.

1. Alinee los orificios de los pernos en el soporte del collarín del tanque y el soporte piezo con los orificios de los pernos la placa central en el múltiple.
2. Enrosque dos tornillos para metales en los orificios del perno que conectan el soporte del collarín del tanque y el soporte piezo a la placa central en el múltiple. (Fig. 1)
3. Conecte el cable de la bujía (izquierdo) y el cable de la bujía (derecho) en cada terminal del encendedor piezo.



**PRECAUCIÓN:** Los cables de la bujía tienen diferentes conectores. Asegúrese de conectar cada bujía en la terminal correcta. Asegúrese de que las terminales estén conectadas de manera segura.

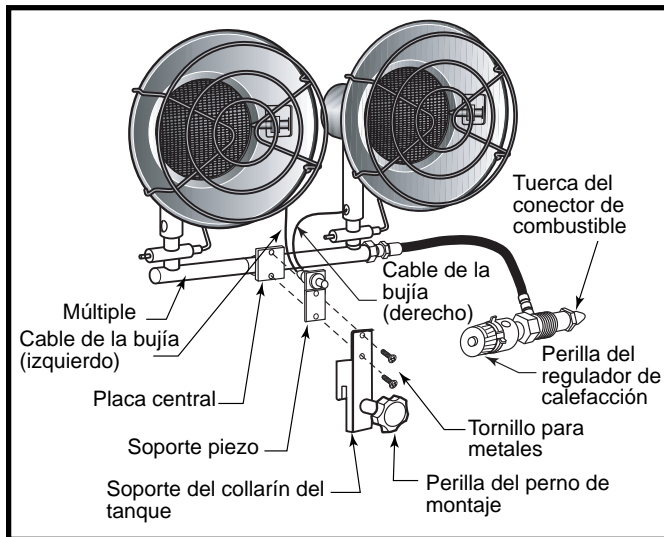


Fig. 1 Ensamble del soporte del collarín del tanque

## Conexión del calentador al tanque de propano

Lea y familiarícese con toda la información de seguridad antes de conectar el calentador al tanque de propano.

1. (Se aplica solamente a los modelos de dos hornilla.) Coloque el calentador en el tanque con el soporte del collar del tanque sobre el collar del tanque (Fig. 1). La perilla del perno de montaje debe estar colocada hacia la parte exterior del collar del tanque.

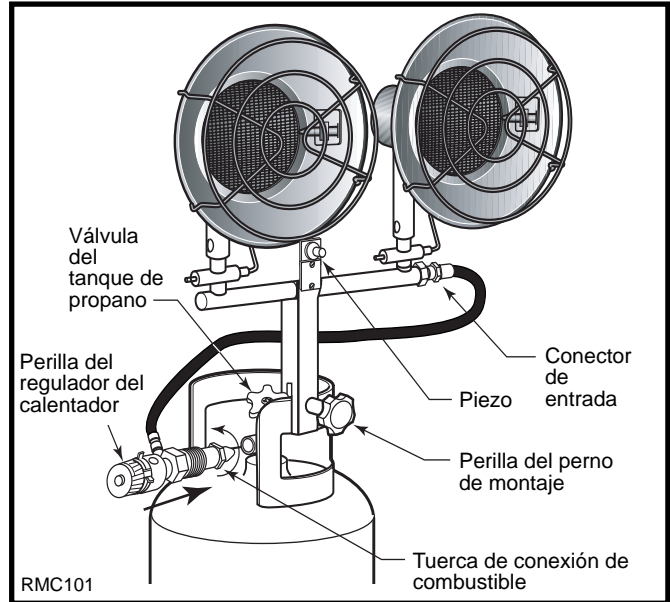


Fig. 1 Fije el calentador al tanque con el soporte del collar del tanque.

2. Asegure firmemente la perilla del perno de montaje al tanque apretándola manualmente. No apriete demasiado la perilla del perno de montaje.
3. Asegúrese de que la perilla del regulador del calentador esté en la posición de apagado "OFF".
4. Apriete con una llave inglesa la tuerca del conector de combustible en la válvula del tanque de propano con ambos accesorios de las mangueras de gas en posición horizontal. (Fig.1) Gire la tuerca del conector de combustible en sentido antihorario para apretarla. Las roscas son zurdas.
5. Conecte el conector a la entrada de la manguera. (Fig.1) Apriételo con firmeza usando una llave inglesa. Asegúrese de que la manguera esté conectada antes de abrir la válvula del tanque.
6. Abra la válvula del tanque de propano lentamente.
7. Revise todos los accesorios para ver si hay fugas. Aplique una mezcla de jabón líquido y agua en todas las uniones. Si se forman burbujas querrá decir que hay fugas. Arregle todas las fugas de inmediato.



**ADVERTENCIA:** Nunca use una llama encendida para revisar las fugas.

8. Siempre quite el tanque de propano del calentador después de cada uso. No almacene el calentador con el tanque de propano conectado.

## Funcionamiento



**ADVERTENCIA:** El quemador y el protector del quemador siempre deben estar orientados hacia el lado contrario de la válvula de cierre y del regulador del tanque de propano.



**ADVERTENCIA:** La instalación, la alteración, el servicio o el mantenimiento incorrectos pueden causar daños materiales, lesiones o la muerte. Lea las instrucciones de instalación, funcionamiento y mantenimiento detalladamente antes de instalar o dar servicio a este equipo.

## Información sobre el funcionamiento

Éste es un calentador de propano, de tiro directo. Tiene la finalidad de usarse como calentador temporal de edificios bajo construcción, alteración o reparación.



**ADVERTENCIA:** No es para usarse en el hogar ni en vehículos recreativos.

El propano es más pesado que el aire. Si se forman fugas de propano en una conexión o accesorio, se hunde hasta el piso, acumulándose allí en el aire y formando una mezcla potencialmente explosiva. Obviamente, deben evitarse las fugas de propano, así que coloque el suministro de gas con extremo cuidado. Revise las fugas en las conexiones nuevas o en las reconexiones con una solución de agua y jabón líquido y siga todas las instrucciones de conexión incluidas aquí. También pídale a su proveedor de propano que le asesore sobre la instalación del suministro de propano, y pídale que lo revise si tiene alguna pregunta.

**Tiro directo** significa que todos los productos de combustión que queman propano entran en el espacio calentado. Aun cuando este calentador funciona muy cerca del 100 por ciento de eficacia de combustión, de todas maneras produce pequeñas cantidades de monóxido de carbono. El monóxido de carbono (llamado CO) es tóxico.

El monóxido de carbono puede acumularse en un espacio caliente y no proporcionar la ventilación adecuada puede causar la muerte. Los síntomas de una ventilación inadecuada son:

- Dolor de cabeza
- Mareos
- Picazón en los ojos y la nariz
- Nauseas
- Boca reseca y dolor de garganta

Así que, asegúrese de seguir los consejos de VENTILACIÓN en estas instrucciones de funcionamiento.



**ADVERTENCIA:** No vea por encima del calentador (reflector) durante el encendido.

Este calentador puede producir una pequeña llamarada durante el encendido, la cual puede causar lesiones físicas graves.

## Instrucciones de encendido cuando se usa piezo



**ADVERTENCIA:** Revise y familiarícese con toda la Información de seguridad de la página 3 antes de encender el Calentador montado en la parte superior del tanque.





**PRECAUCIÓN:** Debido a la alta temperatura de la superficie, mantenga alejados a los niños, ropa y muebles.

Mantenga limpios el quemador y el compartimiento de control.

Este calentador no deberá instalarse en recámaras ni baños.



**ADVERTENCIA:** Se calienta mientras funciona. No lo toque. Mantenga alejados a los niños, la ropa, los muebles, la gasolina y otros líquidos que contengan vapores inflamables.

1. **¡Alto!** Lea toda la información de seguridad.
2. Revise que el suministro de gas al calentador esté encendido.
3. Gire la perilla del regulador del calentador en el sentido horario  a la posición de apagado "OFF".
4. Espere cinco (5) minutos para limpiar el aire. Después trate de oler gas, incluso cerca del piso. Si huele a gas, ¡DETÉNGASE! Siga el paso "B" en la información de seguridad ubicada en un lado del calentador. Si no huele a gas, continúe con el siguiente paso.
5. Gire la perilla del regulador del calentador en el sentido antihorario  a la posición de alto "Hi". Oprima el émbolo de la válvula de cierre de seguridad durante cinco (5) segundos. (Fig. 3)

**NOTA:** La primera vez que se opere el calentador después de conectar el suministro de gas, debe oprimirse el émbolo de la válvula de cierre de seguridad durante cuando menos treinta (30) segundos. Esto permitirá purgar el aire del sistema de gas.

6. Con el émbolo de la válvula de cierre de seguridad oprimido, empuje hacia abajo y libere el botón de encendido del piezo. Esto encenderá el piloto. Si es necesario, continúe oprimiendo el botón de encendido del piezo hasta que se encienda el piloto. (Fig. 1)

7. Mantenga oprimido el émbolo de la válvula de cierre de seguridad aproximadamente treinta (30) segundos después de encender el piloto. Después de 30 segundos, libere el émbolo de la válvula de cierre de seguridad.

8. Si se apaga el quemador repita los pasos 5 al 7 o use un fósforo. Si el calentador no se enciende después de varios intentos, no trate de reparar el calentador. Lleve el calentador al centro de servicio autorizado más cercano o a la dirección que se encuentra en la parte posterior de este manual, con flete prepago.

9. Cuando el quemador está encendido, gire la perilla del regulador del calentador al ajuste de calor deseado (LO, MED, HI).

10. Encienda ambos quemadores cuando se necesite un calor máximo. Use un quemador para conservar energía.

### Para apagar el calentador

1. Cierre con firmeza la válvula del tanque de propano girándola en el sentido horario.

2. Gire la perilla del regulador del calentador a la posición de apagado "OFF". Espere cuando menos 15 minutos para que se enfríe el calentador antes de manejarlo.

3. Siempre quite el calentador del tanque de propano después de cada uso. No almacene el calentador mientras esté conectado al tanque en áreas encerradas.

### Instrucciones de encendido cuando se utiliza un fósforo


Lea y familiarícese con toda la información de seguridad antes de operar el calentador.



**ADVERTENCIA:** No levante las cabezas de los quemadores ni cubra los orificios de entrada de aire en el tubo de mezclado con el soporte del quemador.



**ADVERTENCIA:** Asegúrese de que no haya llamas encendidas en el área. Abra completamente la válvula del tanque de propano.

1. Gire la perilla del regulador del quemador en sentido antihorario  a la posición de alto "HI". (Fig. 2)

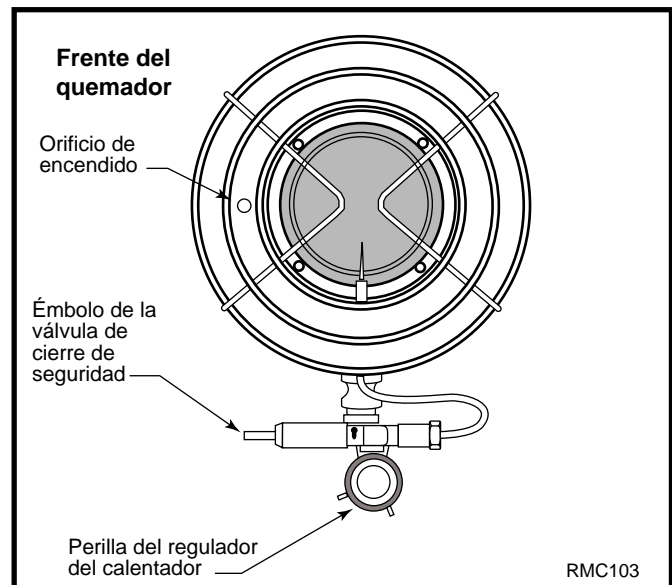


Fig. 2 Frente del quemador.



**ADVERTENCIA:** Párese a un lado de la unidad mientras la enciende. No se coloque ni ponga ninguna parte del cuerpo sobre o dentro del frente del calentador mientras lo enciende.

2. No trate de encender un quemador con el otro. Use un fósforo en cada uno. Encuentre el orificio de encendido en un lado del quemador. (Fig. 3) Sostenga el fósforo encendido debajo del orificio de encendido.



**PRECAUCIÓN:** NO inserte el fósforo dentro de los orificios de entrada de aire en tubo de mezclado.

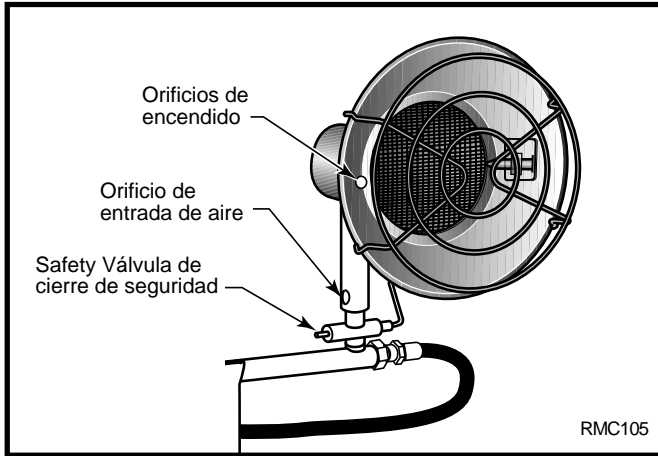


Fig. 3 Coloque el fósforo debajo del orificio de encendido.

- Oprima el émbolo de la válvula de cierre de seguridad (Fig. 3)



**ADVERTENCIA: No oprima el émbolo de la válvula de seguridad antes de insertar el fósforo encendido.**

- El quemador debe encenderse. La pantalla de malla en el quemador se ilumina de rojo cuando se enciende. Después de encender el quemador, continúe sosteniendo el émbolo de la válvula de cierre de seguridad (cerca de 10 a 30 segundos) hasta que el calentador permanezca encendido.
- Si el quemador no se enciende en menos de 30 segundos, gire la perilla del regulador a la posición de apagado "OFF". Espere cuando menos dos minutos para que se disipe el gas antes de volver a encenderlo.
- Si el calentador no se enciende después de varios intentos, no trate de repararlo. Lleve el calentador al centro de servicio autorizado más cercano o envíelo a la dirección que aparece en la parte posterior de este manual, con el flete prepago.
- Después de encender el quemador, gire la perilla del regulador del calentador al ajuste de calor deseado (LO, MED o HI).
- Encienda ambos quemadores cuando se necesite el máximo calor. Use un quemador para conservar combustible. Repita los pasos para encender el segundo quemador.

### Para apagar el calentador

- Cierre firmemente la válvula del tanque de propano girándola en el sentido horario.
- Gire la perilla del regulador del calentador a la posición de apagado "OFF". Espere cuando menos 15 minutos para que se enfríe el calentador antes de manejarlo.
- Siempre quite el calentador del tanque de propano.

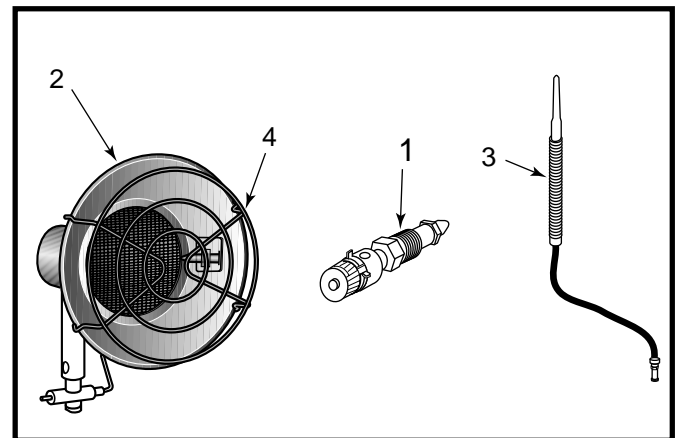
### Servicio técnico y piezas de repuesto

Si necesita ayuda para dar servicio al calentador y sobre piezas bajo la garantía, comuníquese al Departamento de servicio técnico al 1-800-527-4948.

Piezas bajo la garantía: Comuníquese con los concesionarios autorizados de este producto. Si ellos no pueden proveerle piezas originales de repuesto, comuníquese con el centro autorizado de servicio más cercano o llame al Departamento de servicio técnico internacional CFR RMC al 1-800-527-4948.

Piezas que no están bajo la garantía: Comuníquese con concesionarios autorizados de este producto. Si ellos no puede proveerle estos accesorios o piezas, comuníquese con la Central de Piezas más cercana o CFR RMC International al 1-800-527-4948.

### Piezas de repuesto



CFR RMC International se reserva el derecho de hacer cambios en el diseño, los materiales, las especificaciones, los precios y discontinuar colores y productos en cualquier momento, sin previo aviso.

Artículo	Descripción	Número de pieza
1	Conjunto del regulador	2TT0001A
2	Conjunto del quemador	1TT0004A
3	Conjunto del termopar	DSA01B
4	Conjunto del protector	2TT0004A

## Garantía

### Servicio y garantía limitada

CFM RMC International garantiza este producto contra defectos en materiales y componentes por un (1) año a partir de la fecha original de compra, siempre que el producto haya sido instalado, operado y mantenido correctamente y de acuerdo con todas las instrucciones correspondientes. Para presentar una reclamación bajo esta garantía debe presentarse el contrato de venta o el cheque cancelado.

Esta garantía se extiende solamente a los compradores originales al por menor. Esta garantía cubre el costo de las piezas necesarias para restaurar este calentador a sus condiciones normales de funcionamiento y una concesión para mano de obra cuando se provea en el Centro de Servicio Autorizado de CFM RMC. Las piezas de garantía DEBEN obtenerse a través de concesionarios autorizados de este producto o de CFM RMC International quien proveerá piezas originales de fábrica de repuesto. El no usar las piezas de repuesto originales de fábrica invalidará esta garantía. El calentador DEBERÁ instalarse por una persona calificada de acuerdo con todos los códigos locales y las instrucciones provistas con la unidad.

Esta garantía no se aplica a las piezas que no se encuentran en su condición original debido al desgaste y uso normales, ni a las piezas que fallan o se que se descomponen debido al mal uso, accidentes, falta de mantenimiento correcto o defectos causados por la instalación inadecuada. Gastos de viaje, el costo del diagnóstico, mano de obra, transportación y cualquier otro costo relacionado con la reparación de un calentador defectuoso serán responsabilidad del propietario.

HASTA DONDE LO PERMITA LA LEY DE LA JURISDICCIÓN QUE RIJA LA VENTA DE ESTE PRODUCTO; ESTA GARANTÍA EXPRESA EXCLUYE TODAS LAS DEMÁS GARANTÍAS EXPRESAS Y LIMITA LA DURACIÓN DE TODAS LAS GARANTÍAS IMPLÍCITAS, INCLUSO LAS GARANTÍAS DE FABRICACIÓN Y AJUSTE A UN USO PARTICULAR A UN (1) AÑO A PARTIR DE LA FECHA ORIGINAL DE COMPRA; Y LA RESPONSABILIDAD CIVIL DE CFM RMC INTERNATIONAL ESTÁ ABSOLUTAMENTE LIMITADA AL PRECIO DE COMPRA DE ESTE PRODUCTO Y CFM RMC INTERNATIONAL NO DEBERÁ SER RESPONSABLE CIVILMENTE DE NINGÚN OTRO DAÑO INCLUYENDO LOS DAÑOS INDIRECTOS, INCIDENTALES O EMERGENTES.

Algunos estados no permiten la limitación de cuánto tiempo dura una garantía implícita o una exclusión o limitación de los daños incidentales o emergentes, de modo que la anterior limitación en las garantías implícitas, o la exclusión o limitación en los daños podrían no corresponder a su caso.

Esta garantía le otorga derechos legales específicos, y usted podría tener otros derechos que varían en cada estado.

Siempre especifique los números de modelos y de serie cuando se comunique con la fábrica.

Modelo \_\_\_\_\_

Número de serie \_\_\_\_\_

Fecha de compra \_\_\_\_\_

## CFM RMC International

3501 W. Howard Street  
Skokie, IL 60076  
1 800-527-4948



## Free Manuals Download Website

<http://myh66.com>

<http://usermanuals.us>

<http://www.somanuals.com>

<http://www.4manuals.cc>

<http://www.manual-lib.com>

<http://www.404manual.com>

<http://www.luxmanual.com>

<http://aubethermostatmanual.com>

Golf course search by state

<http://golfingnear.com>

Email search by domain

<http://emailbydomain.com>

Auto manuals search

<http://auto.somanuals.com>

TV manuals search

<http://tv.somanuals.com>