

EDD9BL Downdraft Extractor

Manual for Installation, Use and Maintenance


CDA





Customer Care Department • The CDA Group Ltd. • Harby Road • Langar • Nottinghamshire • NG13 9HY


T : 01949 862 012 E : 01949 862 003 E : service@cda.eu W : www.cda.eu


Download from www.Somanuals.com. All Manuals Search And Download.

IT Il simbolo  sul prodotto o sulla confezione indica che il prodotto non deve essere considerato come un normale rifiuto domestico, ma deve essere portato nel punto di raccolta appropriato per il riciclaggio di apparecchiature elettriche ed elettroniche. Provvedendo a smaltire questo prodotto in modo appropriato, si contribuisce a evitare potenziali conseguenze negative per l'ambiente e per la salute, che potrebbero derivare da uno smaltimento inadeguato del prodotto. Per informazioni più dettagliate sul riciclaggio di questo prodotto, contattare l'ufficio comunale, il servizio locale di smaltimento rifiuti o il negozio in cui è stato acquistato il prodotto. Questo elettrodomestico è marcato conformemente alla Direttiva Europea 2002/96/CE sui rifiuti da apparecchiature elettriche ed elettroniche (WEEE).

EN The symbol  on the product or on its packaging indicates that this product may not be treated as household waste. Instead it shall be handed over to the applicable collection point for the recycling of electrical and electronic equipment. By ensuring this product is disposed of correctly, you will help prevent potential negative consequences for the environment and human health, which could otherwise be caused by inappropriate waste handling of this product. For more detailed information about recycling of this product, please contact your local city office, your household waste disposal service or the shop where you purchased the product. This appliance is marked according to the European directive 2002/96/EC on waste electrical and electronic equipment (WEEE).

FR Le symbole  sur le produit ou son emballage indique que ce produit ne peut être traité comme déchet ménager. Il doit plutôt être remis au point de ramassage concerné, se chargeant du recyclage du matériel électrique et électronique. En vous assurant que ce produit est éliminé correctement, vous favorisez la prévention des conséquences négatives pour l'environnement et la santé humaine qui, sinon, seraient le résultat d'un traitement inapproprié des déchets de ce produit. Pour obtenir plus de détails sur le recyclage de ce produit, veuillez prendre contact avec le bureau municipal de votre région, votre service d'élimination des déchets ménagers ou le magasin où vous avez acheté le produit. Cet appareil est commercialisé en accord avec la directive européenne 2002/96/CE sur les déchets des équipements électriques et électroniques (WEEE).

ES El símbolo  en el producto o en su embalaje indica que este producto no se puede tratar como desperdicios normales del hogar. Este producto se debe entregar al punto de recolección de equipos eléctricos y electrónicos para reciclaje. Al asegurarse de que este producto se deseché correctamente, usted ayudará a evitar posibles consecuencias negativas para el ambiente y la salud pública, lo cual podría ocurrir si este producto no se manipula de forma adecuada. Para obtener información más detallada sobre el reciclaje de este producto, póngase en contacto con la administración de su ciudad, con su servicio de desechos del hogar o con la tienda donde compró el producto. Este electrodomestico está marcado conforme a la directiva Europea 2000/96/CE sobre los residuos de aparatos eléctricos y electrónicos (WEEE).

DE Das Symbol  auf dem Produkt oder seiner Verpackung weist darauf hin, dass dieses Produkt nicht als normaler Haushaltsabfall zu behandeln ist, sondern an einem Sammelpunkt für das Recycling von elektrischen und elektronischen Geräten abgegeben werden muss. Durch Ihren Beitrag zum korrekten Entsorgen dieses Produkts schützen Sie die Umwelt und die Gesundheit Ihrer Mitmenschen. Umwelt und Gesundheit werden durch falsches Entsorgen gefährdet. Weitere Informationen über das Recycling dieses Produkts erhalten Sie von Ihrem Rathaus, Ihrer Müllabfuhr oder dem Geschäft, in dem Sie das Produkt gekauft haben. Dieses Elektrohaushaltsgerät ist entsprechend der EU-Richtlinie 2002/96/CE über Elektro- und Elektronik-Altgeräte (WEEE).

NL



Het symbool op het product of op de verpakking wijst erop dat dit product niet als huishoudafval mag worden behandeld. Het moet echter naar een plaats worden gebracht waar elektrische en elektronische apparatuur wordt gerecycled. Als u ervoor zorgt dat dit product op de correcte manier wordt verwijderd, voorkomt u mogelijk voor mens en milieu negatieve gevolgen die zich zouden kunnen voordoen in geval van verkeerde afvalbehandeling. Voor meer details in verband met het recyclen van dit product, neemt u het best contact op met de gemeentelijke instanties, het bedrijf of de dienst belast met de verwijdering van huishoudafval of de winkel waar u het product hebt gekocht. Dit apparaat voldoet aan de Europese richtlijnen 2002/96/CE voor elektrische en elektronische afval (WEEE).

1/ TO THE ATTENTION OF THE USER	
- Safety instructions	16
- Description of the appliance	17
2 / INSTALLING THE HOOD	
- Mounting the hood	18
- Removal of the filter cartridge	19
- Mounting the filter cartridge	19
- Electrical hook-up of the hood	20
3 / HOW THE HOOD WORKS	21
4 / CLEANING THE HOOD	23
5 / OPERATIONAL ANOMALIES	24
6 / AFTER SALES SERVICE	24



Important: *keep these instructions for use with the appliance. If the appliance should be sold or passed on to others, make sure that the instructions are passed on with it. We thank you for taking note of these suggestions before installing and using the appliance. They have been written for your personal safety and the safety of others.*

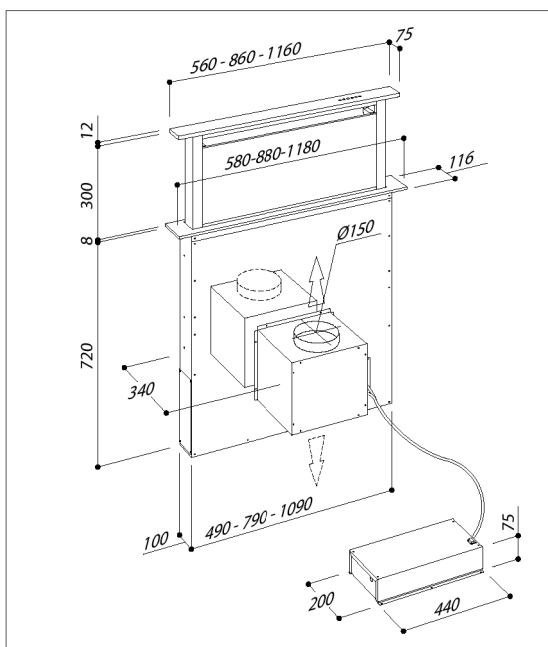
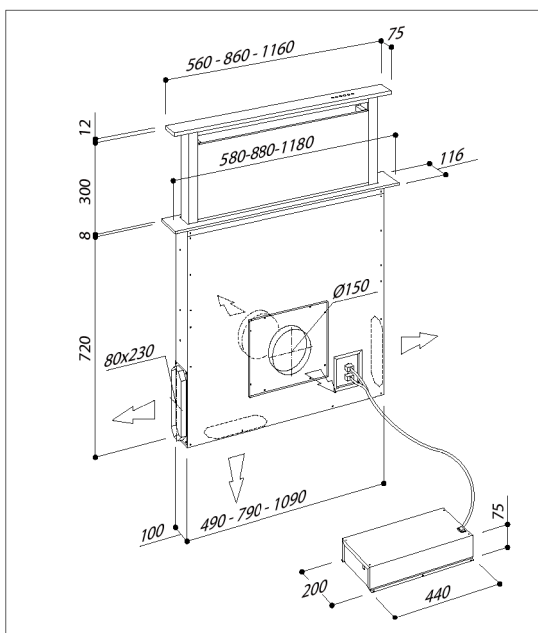
– SAFETY INSTRUCTIONS

These hoods have been designed for personal use in the home. The appliance must be used by adults. Make sure that children do not come into contact with the appliance and that they do not use it to play with. Make sure that children do not operate the controls.

- When the appliance is delivered, check the overall appearance of the packaging. Any remarks should be written on the delivery coupon, of which you keep a copy. Your appliance is designed for normal domestic use. It is not designed for commercial or industrial use, or for purposes other than those for which it was designed.
- Any consequences of or damage from incorrect installation or incorrect use of the appliance will not be covered by the manufacturer's guarantee.
- Repairs must be performed only by an authorised specialist. Always disconnect the hood before carrying out cleaning or maintenance operations.
- Adequately ventilate the area in case the hood is activated simultaneously with other appliances powered from non-electrical sources so that the hood does not ventilate these combustion fumes.
- It is prohibited to cook food over open flames or operate gas hobs without pots or pans on them under the hood itself (the flames sucked into the hood might damage the appliance).
- Deep frying under the appliance must be done under constant supervision as hot oils and fats may ignite. Respect the guidelines for cleaning and replacement of the filters. Accumulated deposits of grease are a fire hazard.
- This appliance must not be used over cook tops powered by wood or coal or in any case, over cook tops with power levels that could damage the appliance. Never use steam or high-pressure devices for cleaning your hood (regulations regarding electrical safety).
- Never use the hood without the grease filters.
- The minimum distance between the open down draft and the surface above it needs to be 400 mm.
- When moving the down draft, never place hands inside the operating radius of the pull-out carriage.
- The downdraft is equipped with safety switches that block it from functioning, when the front panel of the grease filters has been disengaged.

Constantly seeking to improve our products, we reserve the right to modify their technical, functional, or aesthetic characteristics as they evolve.

In the case of the version with external motor, for normal downdraft operation, it is necessary to use an extraction unit (external motor) made by the same manufacturer. The air collected must not be conveyed into a flue used for smoke or fumes from appliances powered by anything other than electricity (central heating systems, etc.). As far as concerns discharging air from the flue, respect the guidelines of the competent authorities.

- DESCRIPTION OF THE APPLIANCE

- 1) Before starting the appliance installation, please check that all components are not damaged, in such a case contact your retailer and do not carry out installation.
Furthermore, please read carefully all of the following installation instructions.
 - Use an exhausting pipe whose maximum length does not exceed 5 meters.
 - Limit the no. of elbows in the piping , since each elbow reduces the aspiration efficiency of 1 linear meter. (Ex. : if you use no. 2 x 90 ° elbows, the length of piping l must not exceed 3 meters)
 - Avoid abrupt direction changes.
 - Use a 150 mm constant diameter pipe for the whole length .
 - Use piping approved by standards in force.
 Before the installation of the Downdraft, please remove the security piece you can see in the picture (Fig. 1-2-3-4).
The manufacturer will not be answerable for any capacity or noise problems caused by failure to comply with the above instructions and the warranty will be rendered null and void.
- 2) Before making the opening, check that there are no structural or other parts inside the cabinet, where the appliance is to be placed, which could hinder a proper installation. Check that the dimensions of the Downdraft and the ones of the cooktop are compatible with the cabinet so that the installation can be carried out properly.
- 3) Make a rectangular opening, 790 x 100 mm in size, in the back of the cook top for the 90 cm model and 490 x 100 mm for the 60 cm model and 1090x100mm for the 120cm model.
For models with motor already fitted, remove the screws and the extraction unit to fit the downdraft in the relevant hole. At this point, insert a seal (silicone) in the bottom section of the frame support (Fig. 18) and place in the relevant hole (Fig. 18-19-20), then proceed to insert the downdraft into the unit.
- 4) Put the Downdraft in the opening, inserting it from above as shown in Fig. 12.
- 5) Fix the downdraft inside the cabinet, using the special fixing brackets supplied with the product. (Fig.13a).
Insert the brackets in the lower side of the downdraft (Fig.13b), in such a way that there is a 2 mm distance between the lower side of bracket and the bottom of the cabinet. (Fig.13c).
This distance will allow the traction to be positioned downwards of the product, at the moment of fixing, in order to have the stainless steel trim perfectly adhering with the work surface.
Before inserting the screws, please make sure that the appliance is perfectly perpendicular with the work surface.
- 6) After completing the installation and connecting the appliance to the mains electricity, lift the downdraft and remove the door block (Fig. 5-6-7). Then open the door (Fig. 8 - 9), remove the PVC grease filter shield (Fig. 10), then place the filters as illustrated in Fig. 11.
- 7) In the version of the Downdraft equipped with motor, install the motor group adjusting the air evacuation direction as required, either downwards or upwards. After installing the motor, connect the air ducts (Fig. 13). The motor can be fitted either on the front or back side of the downdraft.
- 8) For versions with outside motor, place the suction unit (outside motor) in a suitable area and fit the exhaust air flue as illustrated in Fig. 13. Proceed to fit the air outlet ducts between the outside motor and the down draft. Select an air outlet from the five possibilities (Fig. 21) and fit the connection provided.
- 9) Put the metallic box containing the electronic components in a place easy to be reached if a technical assistance is needed (Fig. 14). Connect the electrical connectors of the box to the Downdraft (Fig. 14).
- 10) For outside motors, connect the motor unit cable to the relevant connector on the electrical components box.
- 11) Power the appliance.

Downdraft calibration

After having installed the Downdraft, it is necessary to start the calibration procedure, which is aimed at adjusting the extraction strength of the filtering unit. **Connect the product to the power line, making sure that it is conformed to the supply voltage indicated on the technical data tag. Pushing the ON/1 button (Fig. 22B for SDD2 and 15H for SDD2 TC) the aspiration panel rises.** After it has reached a height of 180 mm from the cooktop, press OFF, to stop the extraction then the Timer and after 2 sec. the OFF button.

The downdraft will carry out the calibration of its aspiration panel rising and retracting for some centim-

eters. During this phase, the buttons on the pushbutton control panel blink. At the end of the calibration, the aspiration panel get back to the previous position and the button end to blink. Wait until the aspiration panel stops moving before re-activating the extraction.

UTILISATION

This product is intended to extract fumes, fats, and steam from cooking. It is designed to work in both suctioning mode, with outside evacuation, and filtering mode.

VERSION EVACUATION exterieure

The hood is equipped with an air outlet to convey smoke outwards (the flue pipe and fixing flange are not supplied).

Check valve blockage

Warning: Before connecting the air exhaust hose, make sure that the check valves are free to turn over freely.



For hoods with outside air exhaust, fit a check valve to prevent wind and returning air from entering.

Filtering mode

In case fumes and vapour cannot be evacuated outside, the appliance can be used in the filtering mode. Carbon filters are required for this type of hood. Air recycled through the charcoal filters is reintroduced into the kitchen, thanks to a duct conveying the air on one side of the cabinet (Fig. 14 bis).

⚠ *Installation must conform to the regulations in force regarding the ventilation of enclosed environments. In particular, discharged air must not be channelled into a conduit used for exhaust discharge or discharge from devices that operate with gas or other combustible materials. The use of unused conduits is not permissible without the approval of a qualified technician.*

– GREASE FILTER REMOVAL – MOUNTING THE CARBON FILTER

The removal and fitting of the grease and carbon filters need to be carried out with the downdraft in the open position. To open the downdraft, push the ON/1 key. Then remove the front panel, pushing the upper part of each side at the same time. The panel will rotate forwards to make it possible to access the grease filters (Fig. 16). Remove the grease filters to access the carbon filters (Fig. 17). The replacement of the charcoal filters has to be carried out accordingly to the effective use of the Downdraft, and in any case at least once every 6 months.

⚠ *After having replaced the filters, reinstall the front stainless steel panel, otherwise the Downdraft is not enabled to function.*

– ELECTRICAL HOOK UP OF THE HOOD

WARNING: Place the metal box containing the electronic components at a distance of no less than 65 cm from gas-operated cook tops or in any case, 65 cm from the extraction point of the hood.

RECOMMENDATION: We recommend installing the metal box containing the electronic components at least 10 cm above floor level and at a suitable distance from all heat sources (e.g. oven sides or cook top).



This appliance is fitted with an H05 VVF 3 conductor, 0.75 mm² (neutral, phase, and ground) power cable. This can be hooked up to a 220 - 240 V mono-phase electrical network by way of a CEI 60083 regulation power socket that must remain accessible after installation, in conformity to installation regulations.

We decline all responsibility in case of accident caused by a lack of ground connection or incorrect ground connection. The appliance must be fed through a differential protection device (RCD), with a nominal residual current not exceeding 30mA. If the power cable is damaged, call the after-sales service to avoid any risk.

The connection of Downdraft to the electric network must be carried out by qualified and skilled technicians.

The cooker hood can only be connected to one electric network, properly arranged and installed.

The electric system must comply with the VDE0100 standard.

Attention

If the hood presents some form of anomaly, unplug the appliance or remove the fuse corresponding to the appliance's power line.

If the appliance has no plug or if the plug is not easily accessible, then a device needs to be fitted to cut it off from the mains electricity; this device must have an opening distance between contacts on all poles of at least 3 mm.

ELECTRICAL HOOK UP

This appliance conforms to the European Directives 2006/95/EC (Low Voltage Directive) and 2004/108/EC (Electromagnetic Compatibility).

When you install the appliance and carry out maintenance, it must be unplugged from the power source or the fuses must be disengaged or removed. Electrical hook up must be carried out before the appliance is installed in the cabinet.

Check that:

- the power source is sufficient,
- power cords are in good condition,
- The diameter of the cables conforms to installation regulations.

Model S.DD2 STANDARD VERSION (Fig. 22)

A: Extraction panel down/OFF switch

This serves to close the extraction panel either completely or in intermediate positions above 180 mm from the cook top. When the extraction panel is being closed, it will remain in operation until it reaches 180 mm above the cook top. Below this height, the extraction function will switch off automatically.

B: Extraction panel up ON/Speed 1

This serves to bring the extraction panel up to a maximum height of 300 mm and to automatically set the first extraction speed when the panel reaches a height of 180 mm. Pressing the button when this height is reached makes it possible to place the extraction panel in the required intermediate positions, up to a maximum of 300 mm, while leaving the extraction speed of the motor unchanged.

C: Speed 2 switch

D: Speed 3 switch

E: Speed 4 switch

These serve to set the respective suction speeds after the extraction panel has reached 180 mm above the cook top and to set the height of the extraction panel to a maximum of 300 mm by pressing the same button.

F: 10-minute timer

This is used to switch off the extraction system automatically as well as to close the extraction panel 10 minutes after it has been enabled.

Model SDD2 TOUCH CONTROL VERSION (Fig. 15)

OFF switch: (Fig. 15) It is used to close the aspiration panel completely or to position it at intermediate heights at least mm 180 above the cooktop. While closing the aspiration panel keeps on working at the speed set up to the height of mm 180 from the cooktop. Below this height the aspiration function is automatically cut out.

On switch/+: (Fig. 15) It is used to extract the aspiration panel up to the maximum height of mm. 300 and to set automatically the first aspiration speed when reaching the height of mm 180 from the cooktop.

When pressing the button again after reaching this height, the aspiration motor speed can be increased.

If the aspiration panel is positioned at an intermediate height between mm 180 and mm 300, the aspiration panel can start raising again by pressing first the OFF switch and then the On/+ Switch.

Leds: (Fig. 15) The different speed levels are indicated by blue leds. (1. Speed level corresponds to the led down on the left).

MINUS SWITCH: (Dis. 15) it is working only if the position reached by the aspiration panel is higher than mm 180 from the cooktop. It is used to decrease the aspiration motor speed.

TIMER SWITCH: (Fig. 15) : it is used to stop automatically the aspiration system and to close automatically the aspiration panel ten minutes it has been set.


Other functions:

- After 30 hours of appliance operation, the push button panel indicates saturation of the grease filters by the buttons flashing. To reset, press the timer button.
- After 4 hours of continuous operation from the last setting, the appliance turns off and closes automatically.
- When the front panel is removed for cleaning and maintenance operations, all the electronic aspiration and movement functions are locked.
- Anti pinching safety device: if anything is obstructing the closure operation of the down-draft, the operation will stop and the downdraft will move up again.

Careful maintenance helps guarantee proper operation and good results from an appliance over time.



The hood must be unplugged from the electrical power source, both by unplugging the appliance from the socket as well as de-activating the breaker, before removing the metal filters. After cleaning, you must replace the metal filters as outlined in the instructions.

MAINTENANCE	HOW TO PROCEED?	ACCESSORY PRODUCTS TO USE
External surfaces and accessories	Do not use metallic scrubbers, abrasive products, or hard brushes.	To clean the external surfaces of the hood and the light housing screen use only commercially available household detergents diluted in water. Then rinse with clean water and dry with a soft cloth.
Charcoal filter with extractable unit open	<p>After 30 hours of functioning, the downdraft will signal the grease filter saturation.</p> <p>In the TC model, the grease filter saturation is signalled through a flashing of the 4 central leds, while in the push-button model all keys will flash.</p> <p>For both models, the reset function is activated by pushing the timer key  while the extractable unit is open.</p>	The grease filters can be washed by hand or in the dishwasher. These filters need to be cleaned on a regular basis because otherwise they may present a fire risk. Refit the grease filters and front panel, making sure that the panel is properly fitted at the sides so that it does not cause the downdraft to stop operating.
Active carbon filter	<p>In the recirculation mode, you must substitute the active carbon filter periodically. To remove the carbon filter it is necessary first of all to remove the grease filter and then to pull the plastic key of the panel itself to remove it from its seating.</p> <p>Follow these steps in reverse order to insert the active carbon filter.</p> <p>Replace the used carbon filter on an average of every six months.</p>	

SYMPTOM	SOLUTION
The hood does not work...	Check that: <ul style="list-style-type: none"> • there is not a power outage. • a specific speed has actually been selected. • The panel is hung properly. • The 9 pole connection is inserted properly. • The red reset key, found over the electric system box, is pushed. • Make sure that the wires are inserted properly in the 9 pole connection, in the connector itself. (During the connection phase, an excessive pressure could bend the contacts.)
The hood has low output...	Check that: <ul style="list-style-type: none"> • the motor speed selected is sufficient for the quantity of fumes steam present. • the kitchen is ventilated well enough to allow for air intake. • The charcoal filter is not worn (filtering version cooker hood). • The air outlet channel is free and compliant with paragraph 2. • The non-return valves of the suctioning unit are free to rotate.
The hood stops in the middle of operation.	Check that: <ul style="list-style-type: none"> • there is not a power outage. • the omnipolar device has not tripped.
The downdraft is not perfectly in line with the kitchen range support surface.	Adjust the position of the body edge , by shifting the “L” brackets positioned in the short sides of the lower body (Fig.24); in order to do it, lift the downdraft, loosen the screws, change the position until perfect linearity of the edge is reached , then tighten the screws and put the downdraft again inside the cabinet.

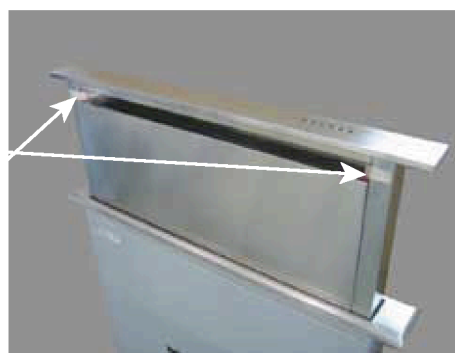
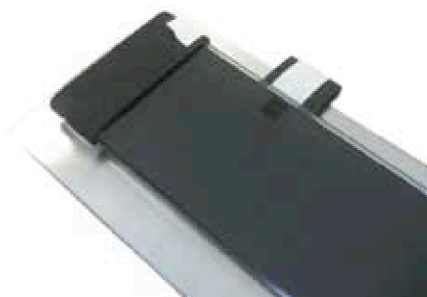
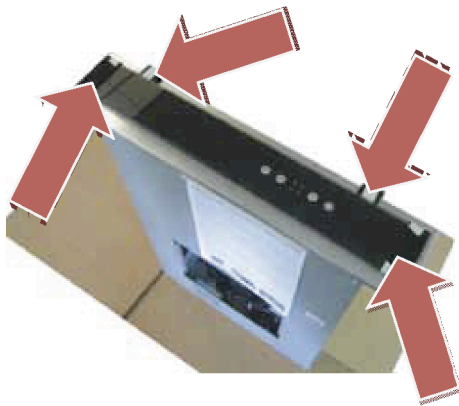
6/ AFTER SALES SERVICE

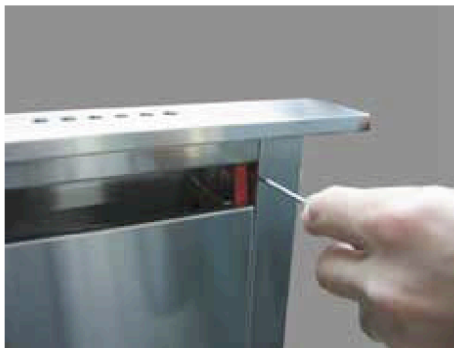
Any maintenance on your equipment should be undertaken by:

- either your dealer,
- or another qualified mechanic who is an authorized agent for the brand appliances.

When calling, please mention the appliance details (Type Fig. 23a and equipment Fig. 23b and production date Fig. 23c).

This information is mentioned on the rating label and the production date one placed on the lower side of the downdraft.





7



8



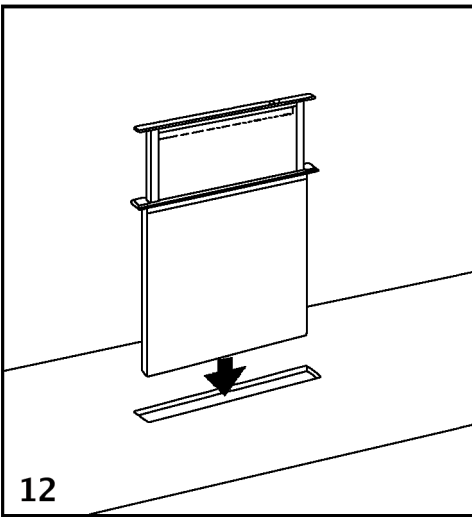
9



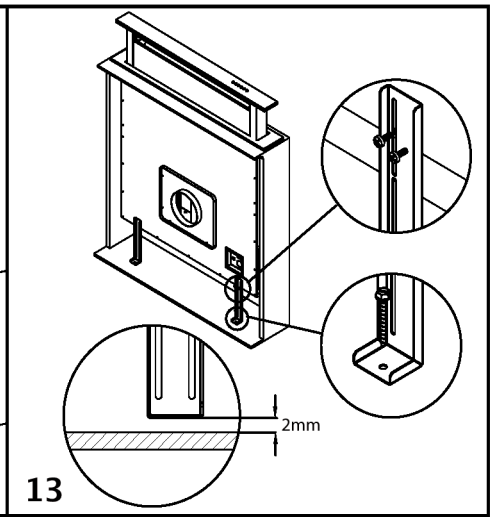
10



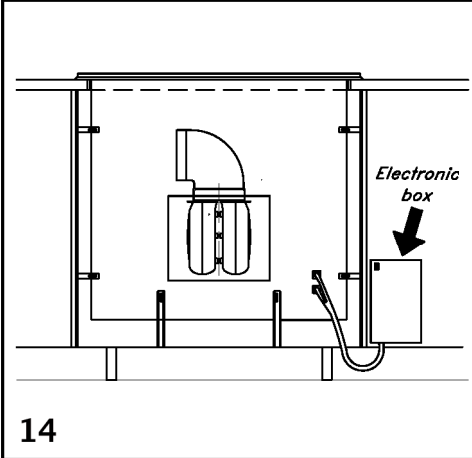
11



12



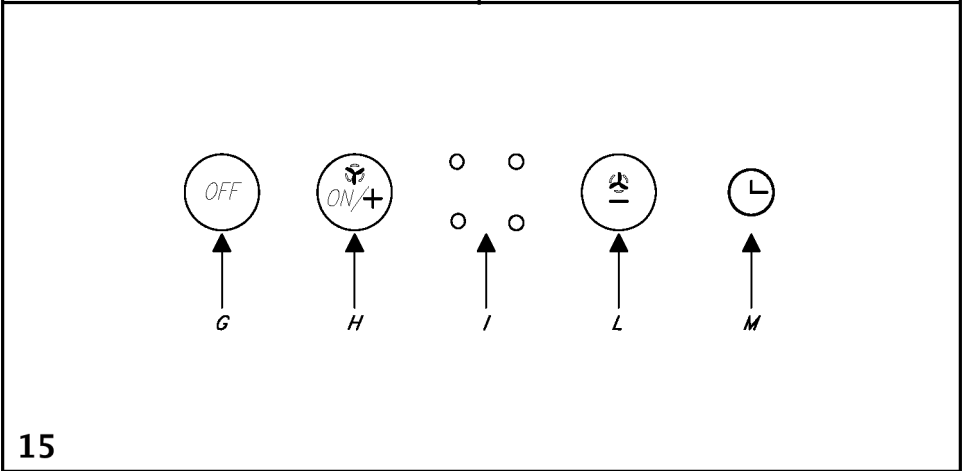
13



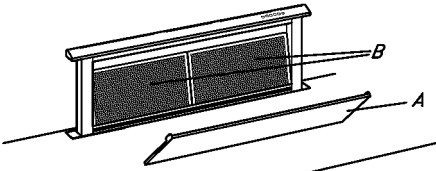
14



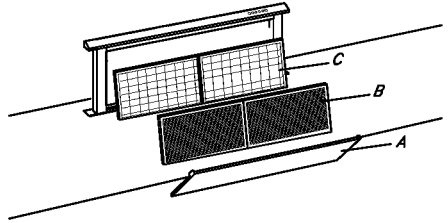
14 bis



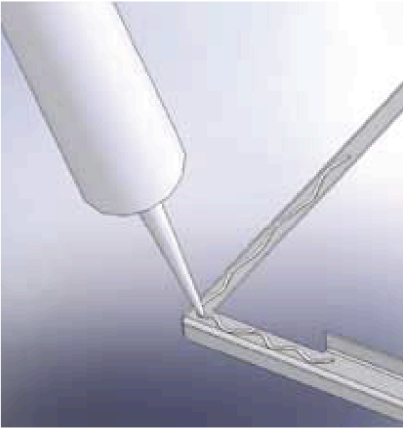
15



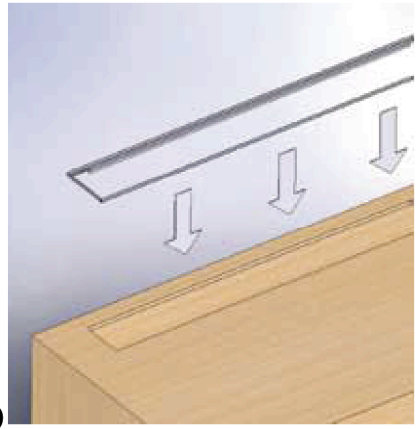
16



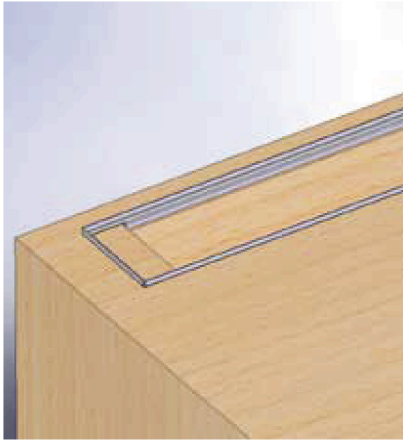
17



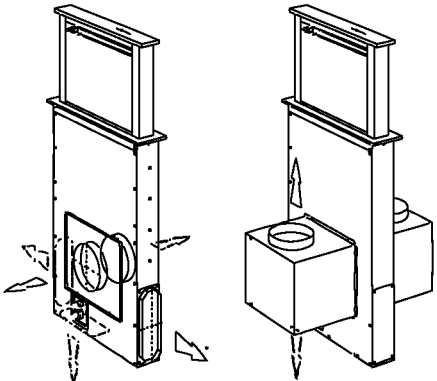
18



19



20



21

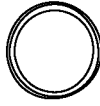
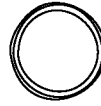
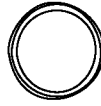
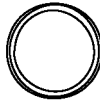
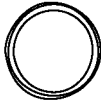
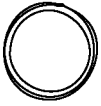
OFF

ON/1

2

3

4



A

B

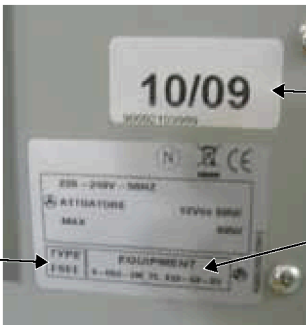
C

D

E

F

22

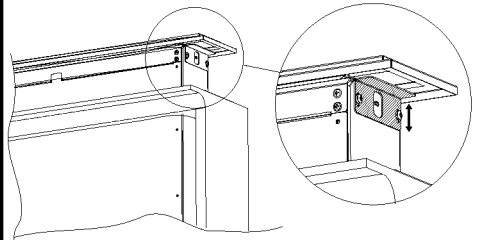


B

A

C

23



24

Free Manuals Download Website

<http://myh66.com>

<http://usermanuals.us>

<http://www.somanuals.com>

<http://www.4manuals.cc>

<http://www.manual-lib.com>

<http://www.404manual.com>

<http://www.luxmanual.com>

<http://aubethermostatmanual.com>

Golf course search by state

<http://golfingnear.com>

Email search by domain

<http://emailbydomain.com>

Auto manuals search

<http://auto.somanuals.com>

TV manuals search

<http://tv.somanuals.com>