



# Model 58EJA Horizontal Condensing Furnace

## USER'S INFORMATION MANUAL FOR THE OPERATION AND MAINTENANCE OF YOUR NEW GAS-FIRED FURNACE

**WARNING:** If the information in this manual is not followed exactly, a fire or explosion may result causing property damage, personal injury or loss of life.

- Do not store or use gasoline or other flammable vapors and liquids in the vicinity of this or any other appliance.
- **WHAT TO DO IF YOU SMELL GAS:**
  - Do not try to light any appliance.
  - Do not touch any electrical switch; do not use any phone in your building.
  - Immediately call your gas supplier from a neighbor's phone. Follow the gas supplier's instructions.
  - If you cannot reach your gas supplier, call the fire department.
- Installation and service must be performed by a qualified installer, service agency or the gas supplier.

### NOTE TO INSTALLER:

This manual must be left with the equipment user.

A911RR

**Carrier**



IMPORTANT! Please Fill Out And Return Within The Next 10 Days.

1. Mr. Mrs. Ms. Miss. First Name, Initial, Last Name, Street, City, State, ZIP Code, Apt. No.

2. Date of installation: Month, Day, Year

3. Important! For proper registration, please fill in the model number, and serial number of this product: A. Model Number, B. Serial Number

4. What type of product is this? 1. Central Air Conditioner, 2. Gas Furnace, 3. Oil Furnace, 4. Electric Furnace, 5. Heat Pump

5. Price paid for this product (excluding installation charges and sales tax): A. Price paid for this product, B. Price paid for installation

6. Name of company that sold you this product: 7. When did you acquire your product? 1. Upon purchase of a new dwelling, 2. To replace an older system of the same brand, 3. To replace an older system of another brand, 4. Within a year after purchasing a dwelling with no central air, 5. 2-4 years after buying a dwelling with no central air system, 6. Over 4 years after buying a dwelling with no central air system

8. If you replaced an older system, approximately how old was that system? 1. Don't know, 2. 1-5 years, 3. 6-8 years, 4. 9-11 years, 5. 12-14 years, 6. 15-17 years, 7. 18-20 years, 8. 21-24 years, 9. Over 24 years

9. If this is a replacement, what brand did you previously own? 1. Amana, 2. Bryant, 3. Carrier, 4. Day & Night, 5. Hell, 6. Janitrol, 7. Lennox, 8. Payne, 9. Phasem, 10. Day & Night, 11. Snyder, 12. Tempstar, 13. Trane, 14. York, 15. Other

10. Which credit cards do you use regularly? 1. American Express, Diners Club, 2. MasterCard, Visa, Discover, 3. Department Store, Oil Company, etc., 4. Do not use credit cards. 11. To help us understand our customers' lifestyles, please indicate the interests and activities in which you or your spouse enjoy participating on a regular basis: 01. Bicycling Frequently, 02. Golf, 03. Physical Fitness/Exercise, 04. Running/Jogging, 05. Snow Skiing Frequently, 06. Tennis Frequently, 07. Camping/Hiking, 08. Fishing Frequently, 09. Hunting/Shooting, 10. Power Boating, 11. Sailing, 12. House Plants, 13. Grandchildren, 14. Needlework/Knitting, 15. Vegetable Gardening, 16. Flower Gardening, 17. Sewing, 18. Crafts, 19. Automotive Work, 20. Electronics, 21. Home Workshop/Do It Yourself, 22. Recreational Vehicles, 23. Stereo, Records/Tapes/CDS, 24. Buy Pre-Recorded Videos, 25. Avid Book Reading, 26. Bible/Devotional Reading, 27. Health/Natural Foods, 28. Photography, 29. Home Furnishing/Decorating, 30. Attending Cultural/Arts Events, 31. Fashion Clothing, 32. Fine Art/Antiques, 33. Foreign Travel, 34. Travel in the USA, 35. Gourmet Cooking, 36. Wines, 37. Coin/Stamp Collecting, 38. Collectibles/Collections, 39. Our Nation's Heritage, 40. Real Estate Investments, 41. Stock/Bond Investments, 42. Entering Sweepstakes, 43. Casino Gambling, 44. Science Fiction, 45. Wildlife/Environmental Issues, 46. Dieting/Weight Control, 47. Science/New Technology, 48. Self Improvement, 49. Walking for Health, 50. Watching Sports on TV

12. Using the numbers in the above list, please indicate the 3 most important activities for: 1. Regularly Purchase Items Through the Mail, 2. Military Veteran in Household, 3. Member of Frequent Flyer Program, 4. Support Health Charities, 5. Subscribe to Cable TV, 6. Have a Microwave Oven, 7. Have a CD Player, 8. Have a VCR, 9. Use a Personal Computer, 10. Have a Dog, 11. Have a Cat

13. Excluding yourself, what is the SEX and AGE (in years) of children and other adults living in your household? 1. No one else in household, 2. Male, 3. Female, 4. Male, 5. Female, 6. Male, 7. Female, 8. Male, 9. Female, 10. Other. 14. Date of birth of person whose name appears above: Month, Year. 15. Marital Status: 1. Married, 2. Divorced/Separated, 3. Widowed, 4. Never Married (Single). 16. Occupation: Homemaker, Professional/Technical, Upper Management/Executive, Middle Management, Sales/Marketing, Clerical or Service Worker, Tradesman/Machine Oper./Laborer, Retired, Student, Self Employed/Business Owner. 17. Which group describes your annual family income? 1. Under \$15,000, 2. \$15,000-\$19,999, 3. \$20,000-\$24,999, 4. \$25,000-\$29,999, 5. \$30,000-\$34,999, 6. \$35,000-\$39,999, 7. \$40,000-\$44,999, 8. \$45,000-\$49,999, 9. \$50,000-\$59,999, 10. \$60,000-\$74,999, 11. \$75,000-\$89,999, 12. \$90,000 & over. 18. Education: (please check those which apply) You, Spouse. Some High School or Less, Completed High School, Vocational/Technical School, Some College, Completed College, Some Graduate School, Completed Graduate School.

19. Please send products and other correspondence to: Carrier Consumer Relations Department, P.O. Box 4808, Syracuse, NY 13221, or call 1-800-C-A-R-R-H-E-R. FOLD HERE. 20. P.O. BOX 173244, DENVER CO 80217-3244. 21. Carrier logo. 22. PLACE FIRST-CLASS STAMP HERE. 23. 89G01-01. 24. Download From Wwww.Somanuals.co Manuals Search And Download.



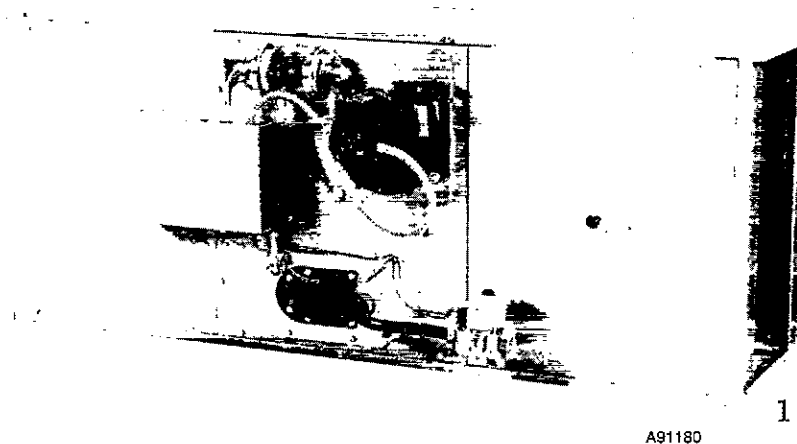
## WELCOME TO A NEW GENERATION OF COMFORT

Congratulations! In light of rising energy costs, this deluxe gas-fired, condensing furnace is one of the soundest investments today's homeowner can make.

Your new furnace is truly a triumph of technology in home heating. The design employs two heat exchangers to "squeeze" out the maximum amount of heat from the fuel consumed. In fact, your new furnace is so efficient, over 90%\* of the heat generated during combustion is captured and delivered inside your home. That's more than a 33%\* increase in heating efficiency over conventional furnaces.

This unit is not only one of the most energy-efficient furnaces you can buy today, it is also one of the safest and most dependable. We are proud of the technological advances incorporated into this furnace design. With only minimal care, your new furnace will deliver many years of money-saving home comfort and enjoyment. Spend just a few minutes with this manual to learn the operation of your new furnace and the small amount of maintenance it takes to help keep it operating at peak efficiency year after year.

\*The output capacity and any representations of efficiency for this furnace are based on standard Department of Energy test procedures.



**MODEL 58EJA  
HORIZONTAL  
FURNACE**

A91180

### FURNACE IDENTIFICATION

For your convenience, record the product and serial numbers of your new furnace on the form below. Should you ever require service, you will have ready access to the information needed by the service representative.

Product No. \_\_\_\_\_

Serial No. \_\_\_\_\_

Date Installed \_\_\_\_\_

Dealer Name \_\_\_\_\_

Address \_\_\_\_\_

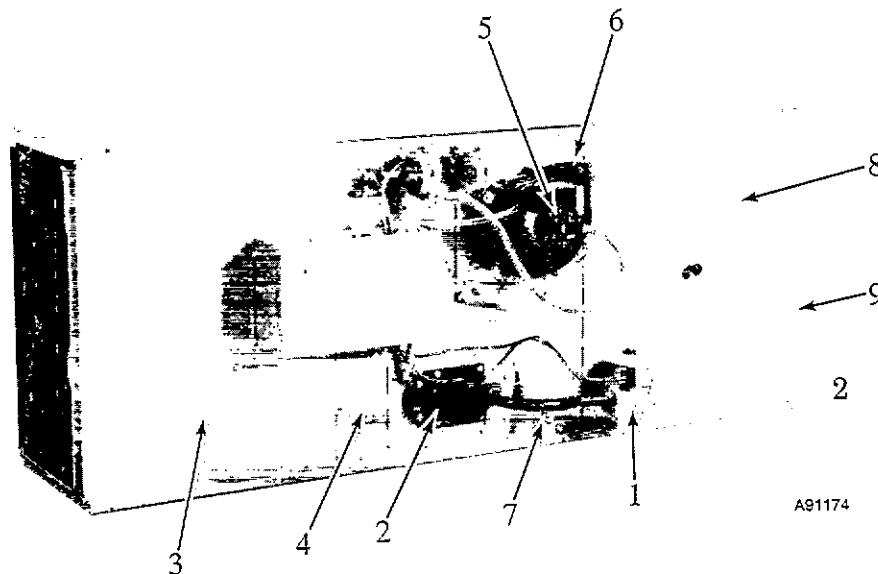
City \_\_\_\_\_

State \_\_\_\_\_ Zip \_\_\_\_\_

Telephone \_\_\_\_\_

## HORIZONTAL FURNACE COMPONENTS

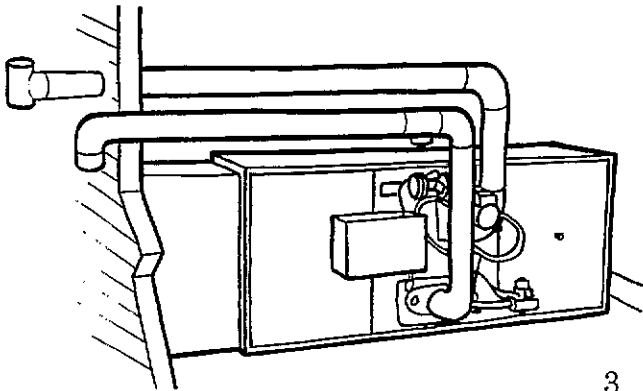
- 1 Gas valve. Safe, efficient. Features two separate gas shut-off valves.
- 2 Burner assembly (inside). Operates with hot surface ignitor, inshot burners, and flame sensor for safe, dependable heating.
- 3 Primary serpentine heat exchanger (inside). Stretches fuel dollars with the S-shaped heat flow design. Solid construction of corrosion-resistant aluminized steel means reliability.
- 4 Secondary condensing heat exchanger (inside). Wrings out more heat through condensation. Constructed with corrosion-resistant steel to ensure durability.
- 5 Inducer motor. Pulls hot flue gases through the heat exchangers, maintaining negative pressure for added safety.
- 6 Vent outlet. Uses PVC pipe to carry vent gases from the home.
- 7 Condensate drain trap. Collects moisture condensed from burned gases for disposal into home drain system.
- 8 Heavy-duty blower (inside). Circulates air, scrubbing the heat exchangers to speed condensation and transfer extra heat into the home.
- 9 Air filter and wire filter retainer (inside).



MODEL 58EJA HORIZONTAL FURNACE

## IMPORTANT FACTS

Your gas furnace uses air from **outside the home** for combustion and venting. It is not to be installed using in-house air. Therefore, both pipes must terminate outside the structure. These pipes must not be obstructed in any way.



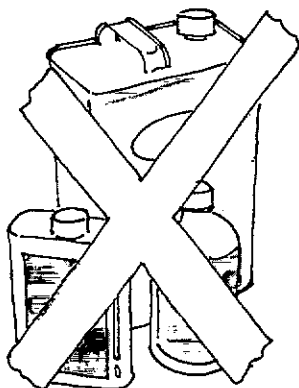
3

A91181

To minimize the possibility of serious personal injury, fire, damage to your furnace, or improper operation, **carefully follow these safety rules:**

- Keep the area around your furnace free of combustible materials, gasoline, and other flammable liquids and vapors.
- Do not cover the furnace, store trash or debris near it, or in any way block the flow of fresh air to the unit.
- A furnace installed in an attic or other insulated space must be kept free and clear of insulating material. Examine the furnace area when installing the furnace or adding more insulation. Some materials may be combustible.

**NOTE:** Do not use this furnace if any part has been under water. Immediately call a qualified service technician to inspect the furnace and to replace any part of the control system and any gas control which has been under water.



4

A86023

**NOTE:** The qualified installer or agency must use only factory-authorized replacement parts, kits, and accessories when modifying this product.

If the furnace is left unattended for an extended period of time, have it checked periodically for proper operation. This precaution will prevent problems associated with NO HEAT, such as frozen water pipes, etc., see "Before You Request a Service Call" in this manual.

## SAFETY CONSIDERATIONS

Installation and servicing of heating equipment can be hazardous due to gas and electrical components. Only trained and qualified personnel should install, repair, or service heating equipment.

Untrained personnel can perform basic maintenance functions such as cleaning and replacing air filters. All other operations must be performed by trained service personnel. Observe safety precautions in this manual, on tags, and labels attached to the furnace and other safety precautions that may apply.

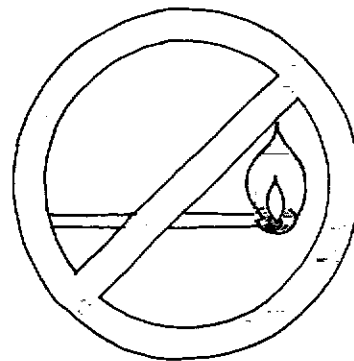
Recognize safety information: This is the safety-alert symbol  $\triangle$ . When you see this symbol on the furnace and in instructions or manuals, be alert to the potential for personal injury.

Understand the signal word—DANGER, WARNING, or CAUTION. These words are used with the safety-alert symbol. DANGER identifies the most serious hazards which **will** result in severe personal injury or death. WARNING signifies hazards that **could** result in personal injury or death. CAUTION is used to identify unsafe practices, which would result in minor personal injury or product and property damage.

## STARTING YOUR FURNACE

Instead of a continuously burning pilot flame which wastes valuable energy, your furnace uses an automatic hot surface ignition system to light the burners each time the thermostat turns your furnace on. **Follow these important safeguards:**

- Never attempt to light the burners manually with a match or other source of flame.



5

A86024

- Read and follow the operating instructions on the furnace.
- If a suspected malfunction occurs with your gas control system, such as the burners not lighting when they should, refer to the shutdown procedures on the furnace or in the next section to turn off your system, then call your dealer as soon as possible.

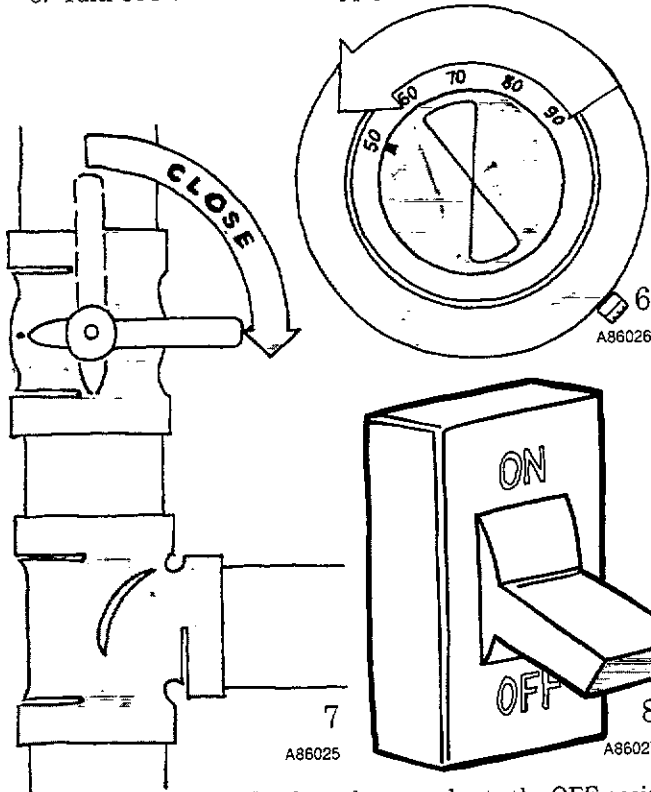
## ▲ WARNING

If overheating occurs, or the gas valve fails to shut off the gas supply, turn OFF the manual gas valve (see Fig. 7) to the furnace BEFORE turning OFF the electrical supply. Failure to follow this warning could result in a fire or explosion, and personal injury or death.

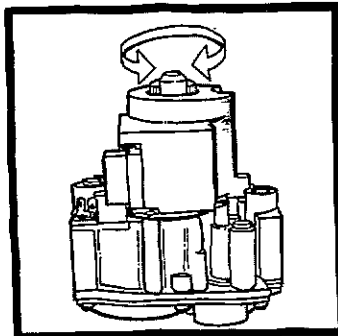
- **CHECK AIR FILTER:** Before attempting to start your furnace, be sure the furnace filter is clean and in place. (See the maintenance section of this manual.) Then proceed as follows:

### STEPS FOR STARTING YOUR FURNACE

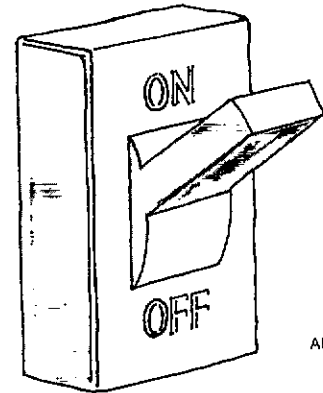
1. Set your room thermostat to the lowest temperature setting. (See Fig. 6.)
2. Close the external manual gas valve. (See Fig. 7.)
3. Turn OFF the electrical supply to the furnace. (See Fig. 8.)



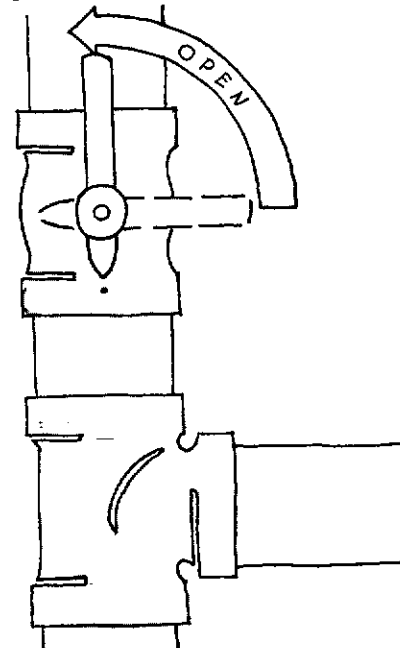
4. Turn the control knob on the gas valve to the OFF position and wait 5 minutes. (See Fig. 9.)



5. After waiting 5 minutes, turn the control knob on the gas valve to the ON position. (See Fig. 9.)
6. Turn ON the electrical supply to the furnace. (See Fig. 10.)
7. Open the external manual gas valve. (See Fig. 11.)



8. Set the room thermostat to a temperature slightly above room temperature. This will automatically signal the furnace to start. The inducer motor will start, and the hot surface ignitor will energize. When hot, the ignitor will have an orange glow.



9. After 30 to 58 seconds, the gas valve permits gas to flow to the main burners where it is ignited. Hot flames begin to warm the furnace's heat exchanger. After a time delay of approximately 60 seconds, the furnace blower is switched on.

**NOTE:** If the main burners fail to ignite, the furnace control system will go through three more ignition cycles. Then, if burners fail to ignite, the system will lockout. If lockout occurs, or the blower doesn't come on, shut down your furnace and call your dealer for service.

10. Set your thermostat to the temperature that satisfies your comfort requirements. **SUGGESTION:** Setting the thermostat back a few degrees—and compensating for the difference with warmer clothing—can make a big difference in your fuel consumption on extremely cold days. The few degrees at the top of your thermostat "comfort level" are the most costly degrees to obtain.

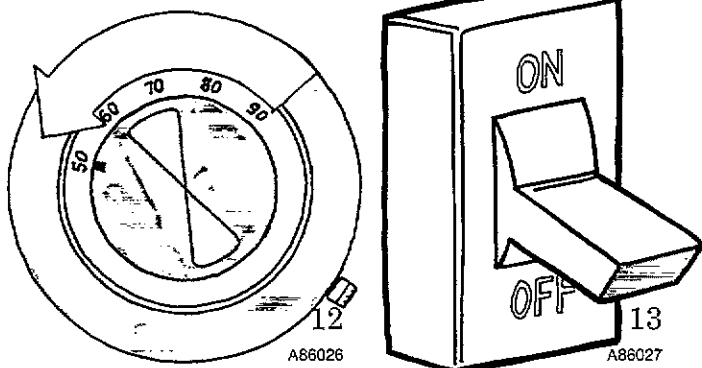
When the room temperature drops below the temperature selected on the thermostat, the furnace will be switched on automatically. When the room temperature reaches the degree selected on the thermostat, the furnace will be automatically switched off.

Some thermostats have a "fan" switch with two selections: *AUTO* or *ON*. When set on *AUTO*, the furnace blower cycles on and off, controlled by the thermostat. In the *ON* position, the furnace blower runs continuously except for a 60 second delay at the "call for heat." This keeps the temperature level in your home more evenly balanced. It also continuously filters the indoor air.

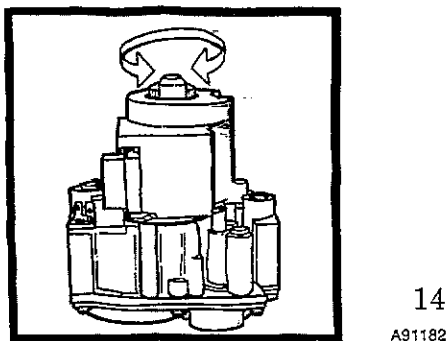
## SHUTTING DOWN YOUR FURNACE

Should you ever suspect a malfunction in your furnace, you will need to turn the furnace OFF. The following procedures must be followed:

1. Set your room thermostat to the lowest temperature setting. (See Fig. 12.)
2. Close the external manual gas valve. (See Fig. 7.)
3. Turn OFF the electrical power to your furnace. (See Fig. 13.)



4. Turn the control knob on the gas valve to the OFF position. (See Fig. 14.)



5. If the furnace is being shut down because of a malfunction, call your dealer as soon as possible.

### ⚠ CAUTION

Furnace is not to be installed, operated, and then turned off and left turned off in an unoccupied structure during winter. (See winterizing procedures in maintenance section).

## PERFORMING ROUTINE MAINTENANCE

With proper maintenance and care, your furnace will operate economically and dependably. Instructions for basic maintenance, which can easily be followed, are found on this and the following pages. However, before beginning maintenance, follow these safety precautions:

### ⚠ WARNING

Turn OFF electrical power supply to your furnace before removing the access doors to service or perform maintenance. Failure to follow this warning could result in personal injury or death.

### ⚠ CAUTION

Although special care has been taken to minimize sharp edges, be extremely careful when handling parts or reaching into the furnace.

## FILTERING OUT TROUBLE

A dirty filter will cause excessive stress on the furnace blower motor and can cause it to overheat and automatically shut down. The furnace filter should be checked every 3 or 4 weeks and cleaned if necessary.

### ⚠ CAUTION

Never operate your furnace without a filter in place. Doing so may damage the furnace blower motor. An accumulation of dust and lint on internal parts of your furnace can cause a loss of efficiency.

The air filter is normally located in the blower compartment before the blower (See Fig. 16.) If the filter(s) has been installed in another location, contact your dealer for instructions. To inspect, clean and/or replace the air filter(s), follow these steps:

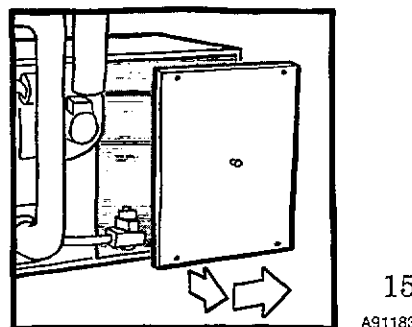
If your furnace filter needs to be replaced, be sure to use the same size and type of filter that was originally supplied. Use the furnace filter table and compare your furnace size with the proper filter size.

HORIZONTAL FURNACE FILTER TABLE

HORIZONTAL FURNACE CASING WIDTH	FILTER SIZE (INCHES)	FILTER TYPE
50,000	(1) 13 x 23 x 1	Cleanable
75,000	(1) 13 x 23 x 1	Cleanable
100,000	(1) 16 x 23 x 1	Cleanable
125,000	(1) 20 x 23 x 1	Cleanable

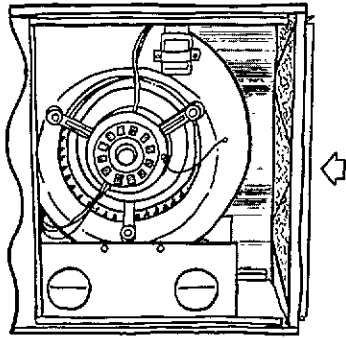
- REMOVE THE FILTER FOR CLEANING AS FOLLOWS:

1. Turn OFF electrical supply to the furnace. (See Fig. 13.)
2. Remove blower access door located at the inlet (return air) end of the furnace (4 screws must be removed). (See Fig. 15.)



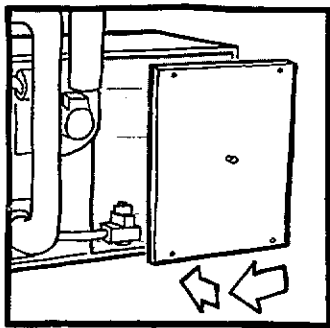


3. Bend the formed wire filter retainer to clear the furnace flange at one side.
4. Pivot the filter retainer toward the blower. (See Fig. 16.)



16  
A91184

5. Remove the filter from the furnace.
6. Inspect the filter. If torn, replace it.
7. Wash the filter (if dirty) in a sink, bathtub, or outside with a garden hose. Always use cold tap water. A mild liquid detergent may be used if necessary. Spray water through the filter in the opposite direction of airflow through the cross-mesh binding side. Allow filter to dry.
8. Reinstall the clean filter with the cross-mesh binding side facing the furnace blower.
9. Replace blower door, reinstall 4 screws (see Fig. 17) and turn ON electrical power to your furnace.



17  
A91185

## COMBUSTION AREA AND VENT SYSTEM

Visually inspect the combustion area and vent system before each heating season. Make sure that all PVC pipes leading into the combustion area and vent are free from any cracks and sags. Also check the combustion air intake and vent pipes on the outside of your home for blockage.

When dirt, soot or rust is allowed to build up, your furnace can suffer a loss of efficiency and perform improperly. Accumulations on the main burners can result in their firing out of normal sequence. This delayed ignition will create an alarmingly loud sound.

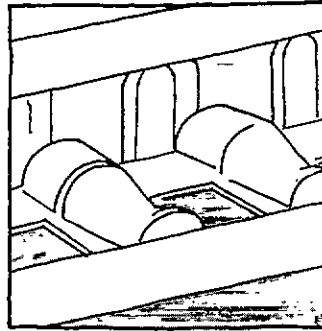
### ▲ CAUTION

If your furnace makes an especially loud noise when the main burners light, shut down your furnace and call your dealer.

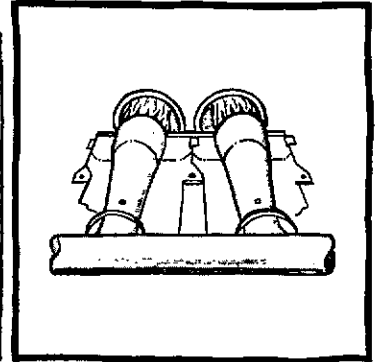
To inspect the combustion area and vent system, you will need a flashlight. Refer to Fig. 2, and proceed as follows:

1. Turn OFF the electrical supply to your furnace.
2. Remove burner enclosure front.

Inspect the gas burners for dirt, rust, or scale. (See Fig. 18.) Then inspect the vent outlet area and vent pipe.



18  
A86041



19  
A91065

### ▲ CAUTION

If dirt, rust, soot, or scale accumulations are found, call your dealer.  
Do not operate your furnace.

3. Inspect the vent pipe for sag, holes, cracks, or disconnection. Any horizontal vent pipe must slope upward, away from the furnace; look for signs of water leakage.

### ▲ DANGER

If holes are found in the vent pipe, or if it has become disconnected, toxic fumes can escape into your home. **DO NOT OPERATE YOUR FURNACE.** Call your dealer for service.

4. Reinstall the burner enclosure front.
5. If your furnace is free of the above conditions, restore electrical power to your furnace. (See Fig. 10.)
6. Start your furnace and observe its operation. Watch the burner flames to see if they are bright blue. (See Fig. 19) If you observe a suspected malfunction, or the burner flames are not bright blue, call your dealer.

## HEADING SOUTH FOR THE WINTER?

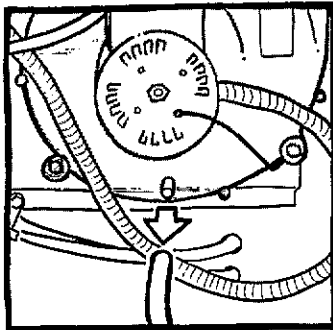
### DON'T FORGET YOUR FURNACE!

Since the furnace uses a condensing heat exchanger, some water will accumulate in the unit as a result of the heat transfer process. Therefore, once it has been operated, it cannot be turned off and left off for an extended period of time when temperatures will reach 32°F or lower, unless winterized. Follow these procedures to winterize your furnace:

1. Mix a solution of equal amounts of ethylene glycol (Prestone II antifreeze coolant or equivalent) and water.
2. Turn OFF electrical supply to furnace. (See Fig. 8.)
3. Disconnect drain tube from bottom of inducer vent outlet. (See Fig. 20.)
4. Insert funnel in drain tube and pour antifreeze/water solution into furnace until it is visible at point where condensate enters open drain. (See Fig. 21.)
5. Reconnect drain tube to vent outlet.

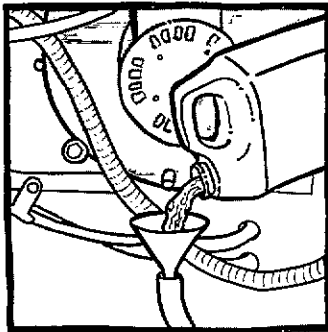
## A CHECKUP CHECKLIST

Your furnace represents an important investment in your family's comfort and your home's value. To keep it in tip-top shape and as a preventative to future problems, have a trained service



20

A91186



21

A91187

specialist give your furnace a professional check-up annually. The following checklist can be used as a guideline to proper service:

- Inspect all flue gas passages, burners, heat exchangers, coupling box(es), and inducer assembly.
- Inspect all combustion and ventilation air passages and openings, including combustion air and vent pipe terminations outside the structure.
- Check gas pipes leading to and inside of your furnace for leaks.
- Inspect, clean, and lubricate the blower motor and wheel as required.

**NOTE:** If oil ports are provided, refer to the unit Service and Maintenance Instructions for blower motor oiling information. The motor must be oiled by a qualified service technician.

- Inspect and change or clean air filter(s) if necessary.
- Inspect all supply- and return-air ducts for obstructions, air leaks, and insulation. Remedy any problem when necessary.
- Inspect electrical wiring, connections, and components for loose connections.
- Perform an operational checkout to determine whether your furnace is working properly and if it requires adjustments.

- Inspect all condensate tubes and connections, condensate trap assembly, and drain for leaks. The condensate removal system should be cleaned annually by a qualified service agency; refer to the Service and Maintenance Instructions for further information.
- Examine the physical support of the furnace; the support should be sound with no cracks, sagging, gaps, etc. around the base.
- Check the furnace for any obvious signs of deterioration.
- Your servicing dealer offers an economical service agreement that covers seasonal inspections; ask for details.

## BEFORE YOU REQUEST A SERVICE CALL

If your furnace is not operating or not performing properly, you may save the expense of a service call by checking a few things yourself before calling for service.

### FOR INSUFFICIENT AIRFLOW:

- Check for dirty air filter(s).
- Check for blocked return-air or supply-air grilles throughout your home; ensure they are open and unobstructed.

If problem still exists, call your dealer for service.

### WHEN FURNACE FAILS TO OPERATE:

Follow this checklist step by step, advancing to the next one only if furnace fails to start.

- Check thermostat for proper temperature (set above room temperature).
- Is the thermostat switch on HEAT?
- Check fuses and circuit breakers. Is electrical supply on?
- Is the manual shut-off valve in gas supply pipe in open position? (Follow startup procedures if you open gas valve.)

**NOTE:** Turn OFF the electrical power supply before continuing with checklist.

- Is the control knob on gas valve in ON position? (Follow startup procedures if you must reset knob to ON.)

If your furnace still fails to operate, call your service representative.

For your convenience, record the product and serial numbers on the form on page 4. Should you ever require service, you will have ready access to the information needed by your service representative.

# Carrier Air Conditioning Company



## **FOR SERVICE OR REPAIR, FOLLOW THESE STEPS IN ORDER:**

- FIRST:** Contact the installer. You may find his name on the product or in your Owner's Packet. If his name is not known, call your builder if yours is a new residence.
- SECOND:** Contact the nearest CARRIER distributor. (See telephone yellow pages.)
- THIRD:** Contact:  
Carrier  
Consumer Relations  
P.O. Box 4952  
Syracuse, New York 13221-4952  
Phone: 1-800-CARRIER (TOLL FREE) from USA.  
1-315-432-7885 from Canada.

Model No. \_\_\_\_\_ Unit Serial No. \_\_\_\_\_  
Date of Installation \_\_\_\_\_ Installed by \_\_\_\_\_  
Name of Owner \_\_\_\_\_ Address of Installation \_\_\_\_\_

Effective on products manufactured after June 15, 1991. Supersedes any other warranty certificates supplied with the product.

## Deluxe Gas-Fired Condensing Furnace Limited Warranty

**ONE-YEAR LIMITED WARRANTY**—CARRIER warrants to the original purchaser that this product will be free from defects in material and workmanship for a period of one year from the date of original installation (whether or not actual use begins on that date). At Carrier's sole option, a new or remanufactured part will be provided without charge to replace any defective part.

THIS WARRANTY DOES NOT INCLUDE LABOR or other costs incurred for diagnosing, repairing, removing, installing, shipping, servicing or handling of either defective parts or replacement parts. Such costs may be covered by a separate warranty or service agreement provided by the installer, which is separate and distinct from this factory warranty.

**EXTENDED 2-YEAR LIMITED WARRANTY ON MICROPROCESSOR CONTROL CENTER ONLY**—During the second through third years after the date of original installation, CARRIER further warrants the microprocessor control center against defects in material or workmanship under normal use and maintenance. A new or remanufactured part, at CARRIER's sole option, will be provided under the same conditions as stated in the ONE-YEAR WARRANTY

### **EXTENDED WARRANTY ON HEAT EXCHANGER ONLY**

During the second through nineteenth years after the date of original installation, CARRIER further warrants the heat exchanger to be free from defects in material and workmanship under normal use and proper maintenance. CARRIER will, AT ITS SOLE OPTION, provide a new heat exchanger without charge, or allow a credit in the amount of the then current factory selling price for a new or equivalent heat exchanger toward the retail purchase price of a new CARRIER brand furnace. This warranty applies only to the furnace in its original installation location and is void if the furnace is reinstalled elsewhere.

### **WARRANTY CONDITIONS**

1. These warranties apply only to products in their original installation location and become void upon reinstallation.
2. Installation, use, care, and maintenance must be normal and in accordance with instructions contained in the owner's manual and CARRIER service information.
3. Defective parts must be returned to the distributor at purchaser's expense for credit.

**LIMITATIONS OF WARRANTIES**—ALL IMPLIED WARRANTIES (INCLUDING IMPLIED WARRANTIES OF MERCHANTABILITY AND FITNESS FOR A PARTICULAR PURPOSE) ARE HEREBY LIMITED IN DURATION TO THE PERIOD FOR WHICH THE APPLICABLE COMPONENT LIMITED WARRANTY IS GIVEN. SOME STATES DO NOT ALLOW LIMITATIONS ON HOW LONG AN IMPLIED WARRANTY LASTS, SO THE ABOVE MAY NOT APPLY TO YOU. THE EXPRESSED WARRANTIES MADE IN THIS WARRANTY ARE EXCLUSIVE AND MAY NOT BE ALTERED, ENLARGED, OR CHANGED BY ANY DISTRIBUTOR, DEALER, OR OTHER PERSON WHATSOEVER. ALL WORK UNDER THE TERMS OF THIS WARRANTY SHALL BE PERFORMED DURING NORMAL WORKING HOURS. ALL REPLACEMENT PARTS, WHETHER NEW OR REMANUFACTURED, ASSUME AS THEIR WARRANTY PERIOD ONLY THE REMAINING TIME PERIOD OF THE APPLICABLE COMPONENT WARRANTY.

### **CARRIER WILL NOT BE RESPONSIBLE FOR:**

1. Normal maintenance as outlined in the installation and servicing instructions or owners manual including filter cleaning and/or replacement and lubrication.
2. Damage or repairs required as a consequence of faulty installation, misapplication, abuse, improper servicing, unauthorized alteration or improper operation.
3. Failure to start due to voltage conditions, blown fuses, open circuit breakers or other damages due to the inadequacy or interruption of electrical service.
4. Damage as a result of floods, winds, fires, lightning, accidents, corrosive environments or other conditions beyond the control of CARRIER.
5. Parts not supplied or designated by CARRIER, or damages resulting from their use.
6. CARRIER products installed outside the continental U.S.A., Alaska, Hawaii and Canada.
7. Electricity or fuel costs or increases in electricity or fuel costs from any reason whatsoever including additional or unusual use of supplemental electric heat.
8. ANY SPECIAL INDIRECT OR CONSEQUENTIAL PROPERTY OR COMMERCIAL DAMAGE OF ANY NATURE WHATSOEVER. Some states do not allow the exclusion of incidental or consequential damages, so the above limitation may not apply to you.

This warranty gives you specific legal rights, and you may also have other rights which vary from state to state.

Form No. 530-063 (New 6/91)





TO OBTAIN INFORMATION ON PARTS: Consult your installing dealer or classified section of your local telephone directory under the "Heating Equipment" or "Air Conditioning Contractors & Systems" headings for dealer listing by brand name. Have available the Model No., Series Letter & Serial No. of your equipment to insure correct replacement part.

**Carrier Corporation • Syracuse, New York 13221**

Manufacturer reserves the right to discontinue, or change at any time, specifications or designs without notice and without incurring obligations.

## Free Manuals Download Website

<http://myh66.com>

<http://usermanuals.us>

<http://www.somanuals.com>

<http://www.4manuals.cc>

<http://www.manual-lib.com>

<http://www.404manual.com>

<http://www.luxmanual.com>

<http://aubethermostatmanual.com>

Golf course search by state

<http://golfingnear.com>

Email search by domain

<http://emailbydomain.com>

Auto manuals search

<http://auto.somanuals.com>

TV manuals search

<http://tv.somanuals.com>