

CE labs can support many areas of your audio and video distribution needs.

We manufacture RF modulators, RF amplifiers, HD distribution amplifiers, and cables of all types.

See our full product line at www.celabs.net.

WARRANTY

Cable Electronics, Inc. warrants this product to be free from defects in material and workmanship, under normal use and service, for a period of one year from the purchase by the original purchaser. If this product is defective or malfunctions, Cable Electronics will replace or repair this unit (at their option) within a reasonable time. No expressed or implied warranty is made for any defects caused by immersion or exposure to liquids, abuse, neglect, improper operation of unit, excess wear and tear and defects resulting from unauthorized disassembly and or modification.

Cable Electronics, Inc.
3209 Wood Street
Garland, Texas 75041
(469)429-9200 Fax (469)429-9205

<http://www.celabs.net>

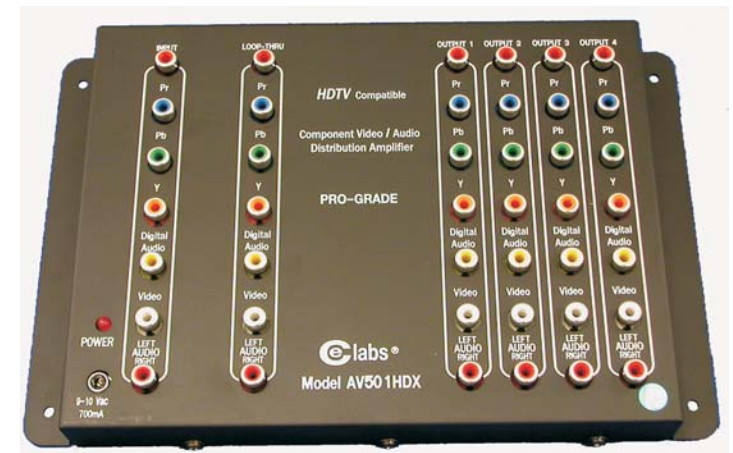
Document: AV501HDX_INFO_A.cdr

Rev. A

INSTRUCTION MANUAL

AV501 HDX

**Component Video/Audio
HDTV Distribution Amplifier**
With Digital Audio and composite video



True One-to-One Signal Ratio

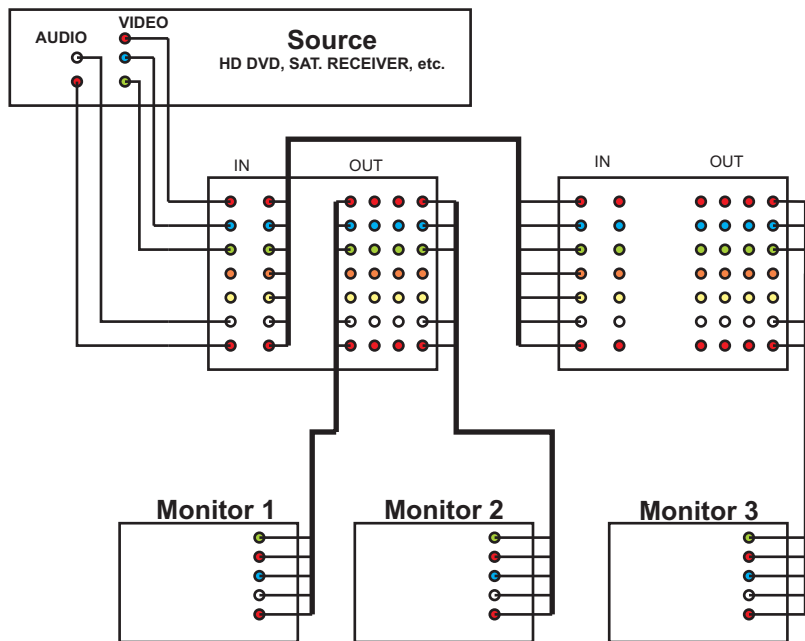
Distributes a Video/Audio Source to multiple locations without any signal loss.

Designed for large display arrays.

Heavy duty metal housing. Commercial duty rated.

Cable Electronics, Inc.
3209 Wood Street
Garland, Texas 75041
(469)429-9200 Fax (469)429-9205

e labs®
CABLE ELECTRONICS, INC.



Installation / Operation Instructions

Unpack the amplifier and power supply from the box. Place the amplifier in a dry location, usually behind the shelf where the monitors are located.

The unit has integrated mounting brackets that are pre-drilled in case the user wishes to screw the unit to the shelf (screws supplied by user).

Connect the source device outputs to the appropriate input jacks on the AV501HDX. Connect cabling from the AV501HDX outputs to the desired display or recording device. The loop output may be used as normal or connect to the next distribution amplifier to create more outputs.

Insert the power supply connector into the power jack of the AV501HDX. Plug the wall transformer into a 120Vac outlet. The power LED should be on and the unit is ready to use.

AV501 HDX

The AV501HDX has one set of inputs and five sets of outputs (Output #5 is designated as the loop output, but may be used to drive a monitor directly). The unit allows any Audio/Video source, with Y, Cb, Cr, or Y, Pb, Pr Outputs (component), to distribute Audio and Video to five different locations without any signal loss. The amplifier also supports composite video and digital audio.

Note: the loop output may be used to daisy chain several units together as is typically done in store displays.

SPECIFICATIONS

VIDEO (All Channels including Component and Composite)

Nominal Input level:	1 Volt peak to peak
Gain:	1 Volt into 75 ohms (2 Volts unterminated)
Input Impedance:	75 ohms
Output Impedance:	75 ohms
Isolation port to port:	32 dB
Isolation output to input:	60 dB
Return loss:	>18 dB
Video bandwidth:	150 MHz

AUDIO

Analog:

Nominal Input level:	1 Volt peak to peak
Gain:	Unity (one to one)
Input impedance:	22k ohm
Output impedance:	1k ohm
THD:	<0.05%
Frequency Response:	20Hz to 100kHz
Channel Separation:	>75dB
Port to Port Isolation:	60dB
Out to Input Isolation:	60dB
Signal to Noise:	>100dB @ 2 Volts out

Digital:

Supports Standard SPDIF digital audio.
 Unity gain when terminated into 75 ohms (2X gain, high impedance).
 Greater than 50 MHz of bandwidth to ensure minimal degradation.

POWER

Requirement: External 9 or 10 Volt AC @ 1000mA with a (2.1mm center diameter) Coaxial connector. Power Supply is included.

Free Manuals Download Website

<http://myh66.com>

<http://usermanuals.us>

<http://www.somanuals.com>

<http://www.4manuals.cc>

<http://www.manual-lib.com>

<http://www.404manual.com>

<http://www.luxmanual.com>

<http://aubethermostatmanual.com>

Golf course search by state

<http://golfingnear.com>

Email search by domain

<http://emailbydomain.com>

Auto manuals search

<http://auto.somanuals.com>

TV manuals search

<http://tv.somanuals.com>