

# Bushnell®

## DISCOVERER

WITH REALVOICE™ OUTPUT

INSTRUCTION  
MANUAL

MANUEL  
D'INSTRUCTIONS

MANUAL  
DE INSTRUCCIONES

BEDIENUNGSANLEITUNG

MANUALE DI ISTRUZIONI

MANUAL DE INSTRUÇÕES

Lit.#: 98-0965/06-07

78-8970 70MM REFRACTOR



78-8930 76MM REFLECTOR



78-8945 114MM REFLECTOR





## **PAGE GUIDE**

ENGLISH .....	4
<i>Catalog Index</i> .....	18
FRANÇAIS.....	34
ESPAÑOL .....	50
DEUTSCH.....	66
ITALIANO.....	82
PORTUGUÊS.....	98

# ENGLISH

Congratulations on the purchase of your Bushnell Discoverer Telescope with Real Voice Output! This is one of the first telescopes ever created that actually speaks to you to educate you about the night sky. Consider this feature as your personal astronomy assistant.

After reading through this manual and preparing for your observing session as outlined in these pages you can start enjoying the Real Voice Output feature by doing the following:

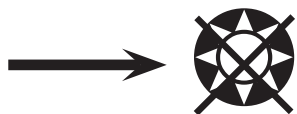
To activate your telescope, simply turn it on! The Real Voice Output feature is built in to the remote control handset.

Along the way the telescope will speak various helpful comments during the alignment process. Once aligned, the Real Voice Output feature will really shine anytime the enter key is depressed when an object name or number is displayed at the bottom right of the LCD viewscreen. That object description will be spoken to you as you follow along with the scrolling text description.

If at anytime you wish to disable the speaking feature, you can cancel the speech by pressing the "Back" button on the remote control keypad.

It is our sincere hope that you will enjoy this telescope for years to come!

# DISCOVERER



**NEVER LOOK DIRECTLY AT THE SUN  
WITH YOUR TELESCOPE**



**PERMANENT DAMAGE TO YOUR EYES  
MAY OCCUR**

## WHERE DO I START?

Your Bushnell telescope can bring the wonders of the universe to your eye. While this manual is intended to assist you in the set-up and basic use of this instrument, it does not cover everything you might like to know about astronomy. Although Discoverer will give a respectable tour of the night sky, it is recommended you get a very simple star chart and a flashlight with a red bulb or red cellophane over the end. For objects other than stars and constellations, a basic guide to astronomy is a must. Some recommended sources appear on our website at [www.bushnell.com](http://www.bushnell.com). Also on our website will be current events in the sky for suggested viewing. But, some of the standbys that you can see are:

**The Moon**—a wonderful view of our lunar neighbor can be enjoyed with any magnification. Try viewing at different phases of the moon. Lunar highlands, lunar maria (lowlands called “seas” for their dark coloration), craters, ridges and mountains will astound you.

**Saturn**—even at the lowest power you should be able to see Saturn’s rings and moons. This is one of the most satisfying objects in the sky to see simply because it looks like it does in pictures. Imagine seeing what you’ve seen in textbooks or NASA images from your backyard!

**Jupiter**—the largest planet in our solar system is spectacular. Most noted features are its dark stripes or bands both above and below its equator. These are the north and south equatorial belts. Also interesting are Jupiter’s four major moons. Pay close attention to their positions from night to night. They appear to be lined up on either side of Jupiter.

**Mars**—The Great Red Planet appears as a reddish-orange disk. Look at different times of the year and try to catch a glimpse of the white polar ice caps.

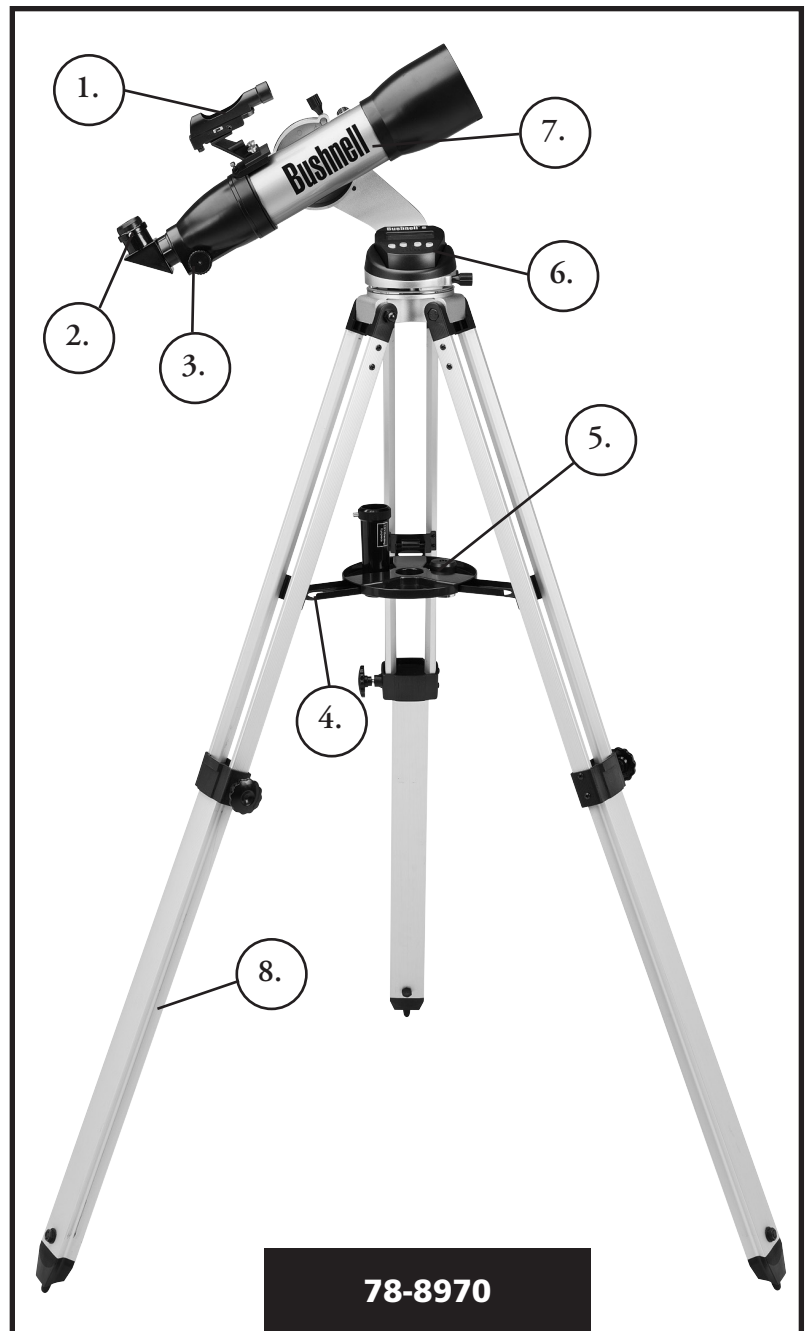
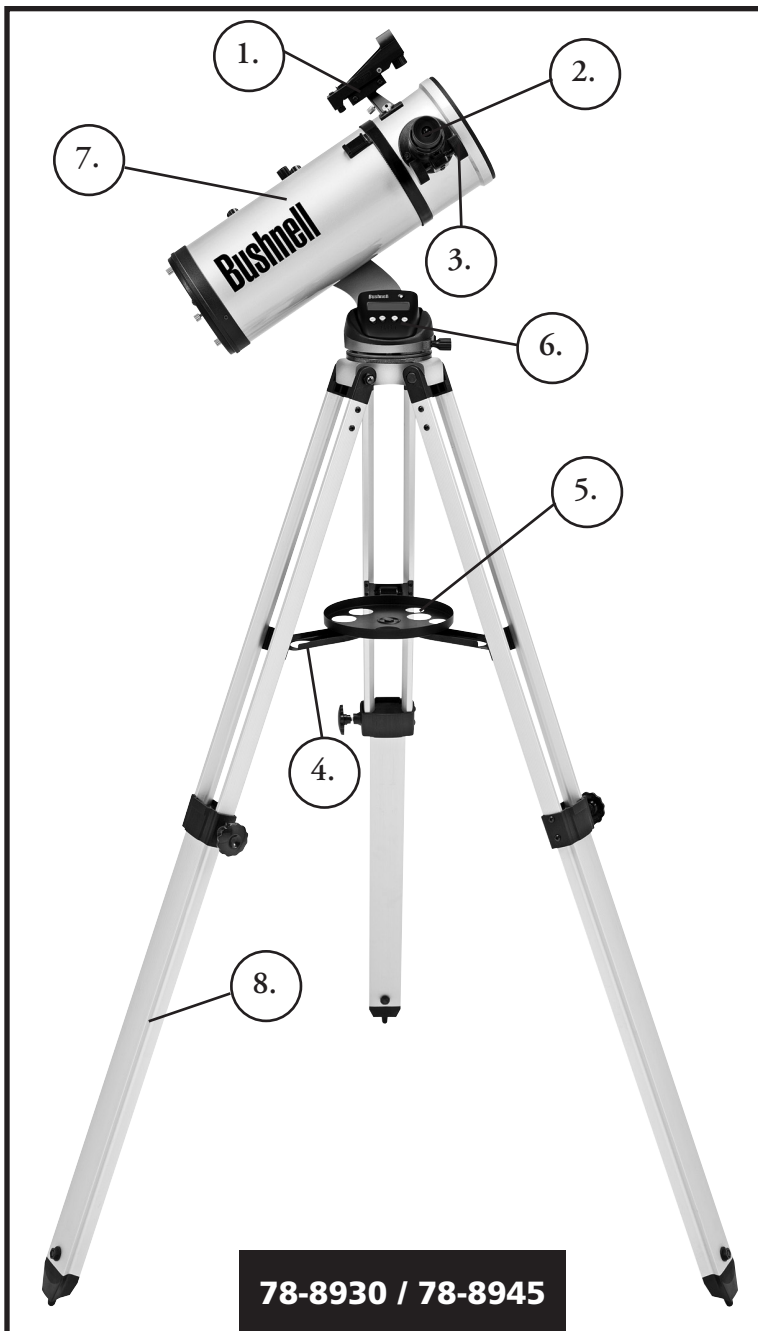
**Venus**—just like the moon, Venus changes phases from month to month. At times Venus appears brilliantly in the night sky, just as if you were looking at a distant crescent moon.

**Nebulae**—The Great Orion Nebula is a very well known night sky object. This and many others are brought to you by this telescope.

**Star Clusters**—View millions of stars densely packed in a cluster that resembles a ball.

**Galaxies**—One of the greatest and most interesting galaxies is our neighbor the Andromeda Galaxy. Enjoy this and many others.

## PARTS DIAGRAMS

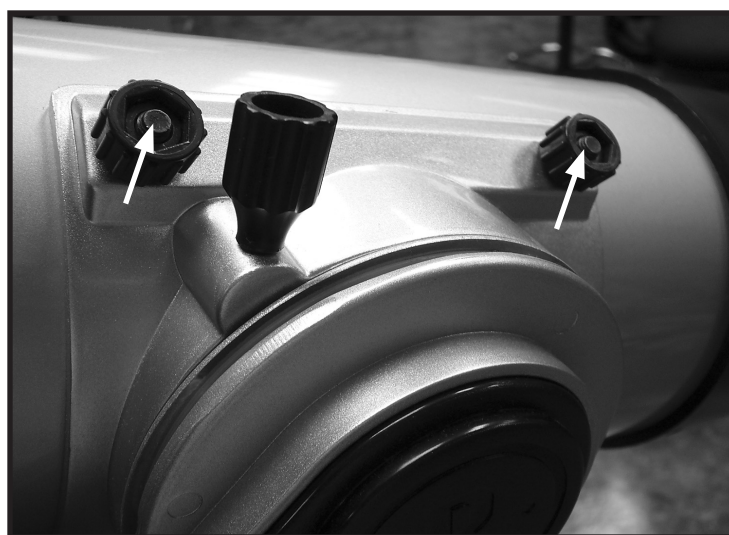
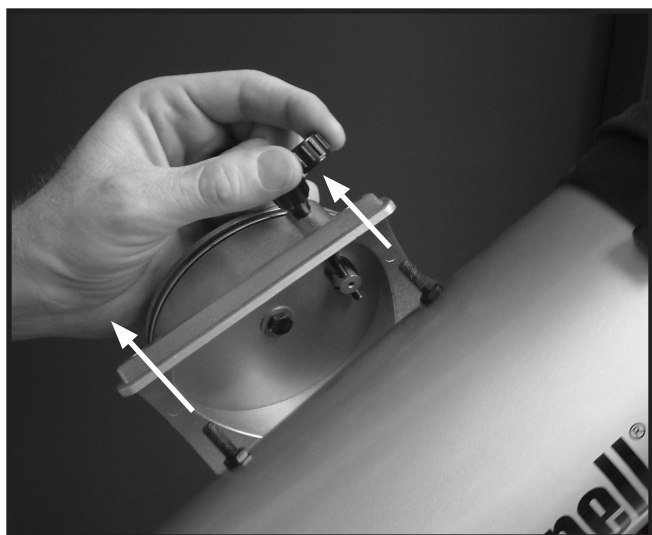


### Telescope Parts Diagram

1. Red Dot Finderscope
2. 1.25" Format Eyepiece
3. Rack and Pinion Focusing Mechanism
4. Accessory Tray Brace
5. Quick-Release Accessory Tray
6. Remote Computer Controller
7. Main Telescope Tube
8. Adjustable Aluminum Tripod

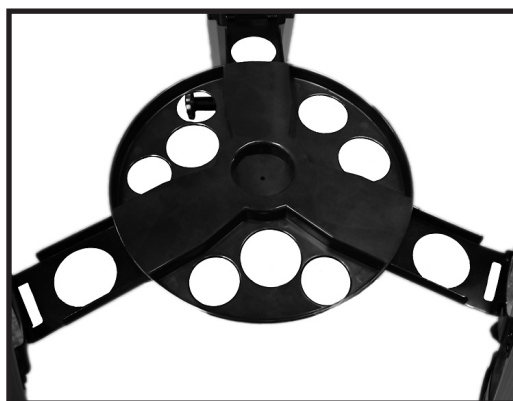
## QUICK ASSEMBLY DIAGRAM

78-8970 / 78-8930 / 78-8945



Push attachment bolts on telescope tube through holes in tube bracket (remove thumb nuts first), then attach and tighten thumb nuts to hold tube securely in place.

78-8970 / 78-8930 / 78-8945



Push quick-release accessory tray lightly onto hub at center of accessory tray brace.

## PARTS LIST

- Adjustable Aluminum Tripod Assembly (Pre-assembled to Discoverer Computerized Star Locator Base)
- Quick Release Accessory Tray
- Discoverer Telescope with finger attachment nuts
- Red Dot Finderscope
- 2 Eyepieces
- Barlow Lens (Reflectors Only)
- Diagonal (788970 Refractor Only)

## DETAILED ASSEMBLY

No tools are required for assembly of your telescope.

Remove all components from the carton and identify all components. It is a good idea to lay all the parts out in front of you before assembly. Since your telescope is a precision optical system the parts require careful handling—particularly the onboard computer, telescope, eyepieces, and various accessory lenses.

### SET UP TRIPOD AND ACCESSORY TRAY

1. Stand Discoverer Computerized Star Locator Assembly and attached tripod legs in the upright position. Spread tripod legs to a comfortable distance.
2. Fold down the accessory tray braces and place the Quick Release Accessory Tray on top of braces. (See Quick Assembly Diagram)
3. Turn accessory tray until it snaps into place.
4. Adjust tripod leg height to suit by opening tripod leg lever and extending tripod legs to desired height.

### ATTACH TELESCOPE TUBE

1. Locate Main Telescope Tube.
2. Remove Telescope Tube Thumb Nuts from side of Telescope Tube.
3. Position Main Telescope Tube Attachment Bolts through Telescope Tube Bracket at the top of the Discoverer Computerized Star Locator Assembly. (Logo on telescope tube should be right-side up.)
4. Reattach Telescope Tube Thumb Nuts to Main Telescope Tube Attachment Bolts once Main Telescope Tube and Discoverer Computerized Star Locator Assembly are assembled together.

### ATTACH FINAL TELESCOPE ACCESSORIES

1. Locate Red Dot Finderscope.

**NOTE:** The large end of the finderscope should face the open end of telescope tube.

2. Attach Low Power Eyepiece.
3. Tighten all set screws to secure accessories.

### SELECTING AN EYEPIECE

You should always start viewing with the lowest power eyepiece, which in this case is the 20 mm lens. Note: the base power of each eyepiece is determined by the focal length of the telescope objective lens. A formula can be used to determine the power of each eyepiece: telescope OBJECTIVE lens focal length divided by EYEPIECE focal length = MAGNIFICATION (e.g. Using the 20 mm lens, a sample calculation could look like this: 500 mm / 20 = 25x or 25 power. Telescope models will vary in focal length.)

#### (Reflectors Only)

Included with this telescope is a Barlow lens. Barlow lenses are used to double or triple the power of your telescope. Place your Barlow between the focusing tube and the eyepiece. Using the example above, your 3x Barlow lens would give you a total power of 75x or 75 power. (25 x 3 = 75x or 75power). The magnification calculation would look like this: 500 mm /20mm = 25 power. 25 power x 3=75 power.



## DETAILED ASSEMBLY (CONTINUED)

### FOCUSING TELESCOPE

1. After selecting the desired eyepiece, aim main telescope tube at a land-based target at least 200 yards away (e.g. a telephone pole or building).
2. Fully extend Focusing Tube by turning Rack and Pinion Focusing Mechanism.
3. While looking through selected eyepiece (in this case the 20 mm), slowly retract Focusing Tube by turning Rack and Pinion Focusing Mechanism until object comes into focus.

### ATTACH REMOTE COMPUTER CONTROLLER AND BATTERY

1. Locate Remote Computer Controller and coil cord.
2. Locate Battery Door on Discoverer Computerized Star Locator Base.
3. Remove Battery Door and insert one 9V battery.
4. Replace Battery Door.
5. Attach Remote Computer Controller with coil cord to Discoverer Computerized Star Locator Base.

### ALIGNING FINDERSCOPE

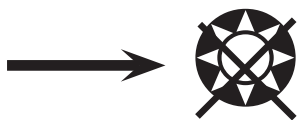
Look through Main Telescope Tube and establish a well-defined target. (see Focusing Telescope section)

Remove plastic insulator from between Red Dot Finderscope battery and battery clip.

Turn Red Dot Finderscope on.

Looking through Red Dot Finderscope, turn adjustment wheels until the red dot is precisely centered on the same object already centered in Main Telescope Tube's field of view.

Now, objects located first with the Red Dot Finderscope will be centered in the field of view of the main telescope.



**NEVER LOOK DIRECTLY AT THE SUN  
WITH YOUR TELESCOPE**

**PERMANENT DAMAGE TO YOUR EYES  
MAY OCCUR**

## ENJOYING YOUR NEW TELESCOPE

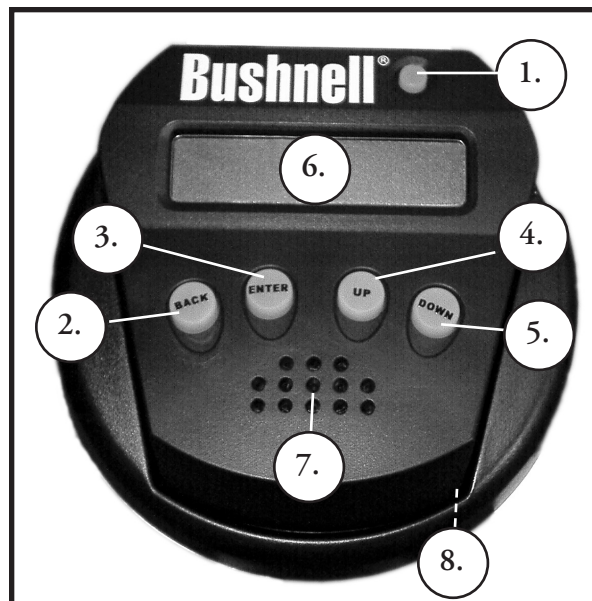
1. First determine your targeted object. Any bright object in the night sky is a good starting point. One of the favorite starting points in astronomy is the moon. This is an object sure to please any budding astronomer or experienced veteran. When you have developed proficiency at this level, other objects become good targets. Saturn, Mars, Jupiter, and Venus are good second steps to take.
2. The first thing you need to do after assembling the telescope as planned is center the desired object in the finderscope's cross hairs. Provided you did a reasonable job aligning the finderscope, a quick look through the main telescope tube at low power should reveal the same image. With the lowest power eyepiece (the one with the largest number printed on it) you should be able to focus the same image that you saw through the finderscope. Avoid the temptation to move directly to the highest power. The low power eyepiece will give you a wider field of view, and brighter image—thus making it very easy to find your target object. At this point with a focused image in both scopes, you've passed the first obstacle. If you don't see an image after attempting to focus it in, you might consider aligning your finderscope again. Once you pass this step, you'll will enjoy the time spent ensuring a good alignment. Every object you center in the finderscope will be easily found in the main telescope tube, which is important for continuing your exploration of the night sky.
3. The low power eyepieces are perfect for viewing the full moon, planets, star clusters, nebulae, and even constellations. These should build your foundation. However, for more detail, try bumping up in magnification to higher power eyepieces on some of these objects. During calm and crisp nights, the light/dark separation line on the moon (called the "Terminator") is marvelous at high power. You can see mountains, ridges and craters jump out at you due to the highlights. Similarly, you can move up to higher magnifications on the planets and nebulae. Star clusters and individual stars are best viewed through the low power no matter what.
4. The recurring astronomical theater we call the night sky is an ever-changing billboard. In other words, the same movie does not play all the time. Rather, the positions of the stars change not only hourly as they seem to rise and set, but also throughout the year. As the earth orbits the sun our perspective on the stars changes on a yearly cycle about that orbit. The reason the sky seems to move daily just as the sun and the moon "move" across our sky is that the earth is rotating about its axis. As a result you may notice that after a few minutes or a few seconds depending on what power you are viewing at, the objects in your telescope will move. At higher magnifications especially, you will notice that the moon or Jupiter will "race" right out of the field of view. To compensate, just move your telescope to "track" it in the necessary path.

## HELPFUL HINTS

1. Your telescope is a very sensitive instrument. For best results and fewer vibrations set your telescope up on a level location on the ground rather than your concrete driveway or your wooden deck. This will provide a more stable foundation for viewing, especially if you've drawn a crowd with your new telescope.
2. If possible view from a location that has relatively few lights. This will allow you to see much fainter objects. You'd be surprised how much more you'll see from your local lake or park when compared to a backyard in the city.
3. Using your telescope out a window is NEVER recommended.
4. View objects that are high in the sky if possible. Waiting until the object rises well above the horizon will provide a brighter and crisper image. Objects on the horizon are viewed through several layers of earth's atmosphere. Ever wonder why the moon appears orange as it sets on the horizon? It's because you are looking through a considerable more amount of atmosphere than you would directly overhead. (Note: If objects high in the sky are distorted or wavy, you are probably viewing on a very humid night.) During nights of unstable atmosphere, viewing through a telescope can be frustrating if not impossible. Astronomers refer to crisp, clear nights as nights of "good seeing."

## DISCOVERER COMPUTER INTERFACE DIAGRAM

1. On/Off Button
2. Back Button
3. Enter Button
4. Scroll Up Button
5. Scroll Down Button
6. LCD Display
7. Speaker (Real Voice Output)
8. Battery Door (not shown-located on base under controller)



## BUTTON FUNCTIONS

**ALL BUTTONS ARE ILLUMINATED FOR NIGHTTIME USE.**

**On/Off Button:** The On/Off Button will turn the Discoverer Computerized Star Locator on and off. To turn the unit off, simply depress and hold the On/Off button for three seconds and release. (Note: The Discoverer Computerized Star Locator will automatically turn itself off after 10 minutes of inactivity.)

**Back Button:** This button functions to navigate to the previous level within the operating framework and/or back to the previous level of input. If at anytime you wish to disable the speaking feature, you can cancel the speech by pressing the "Back" button on the remote control keypad.

**Enter Button:** This button functions to select certain menu choices. By pressing the ENTER button Discoverer will advance to the selected level. When an object name or number is listed on the screen, the ENTER button can also be pressed to hear a spoken description and display a scrolling text description of the object.

**Scroll Up Button:** This button functions to scroll up through various menus within Discoverer. Anytime you encounter a blinking text/number option, the scroll button will display the various choices within that menu. (Note: To select an option that you have scrolled to, just press the ENTER button.)

**Scroll Down Button:** This button functions to scroll down through various menus within Discoverer. Anytime you encounter a blinking text/number option, the scroll button will display the various choices within that menu. (Note: To select an option that you have scrolled to, just press the ENTER button.)

## LCD DISPLAY

The Liquid Crystal Display (LCD) is a two-line, sixteen character display. The LCD is illuminated for use during nighttime viewing just like the buttons.

## MODE OVERVIEW OF PRODUCT

**Explore:** The Explore Mode of Discoverer provides the ability to explore various astronomical objects categorized by object type. These objects would fall under one or more of the following types of objects: Deep Sky, Planets, Constellations, and Stars. Each of these subheadings would also have subcategories of objects beneath their menu structure.

**Sky Tour:** The Sky Tour Mode of Discoverer provides the ability to take a quick tour of the best and brightest objects for any given month of the year. If the date has been input into the system, the Sky Tour Mode will automatically default to that month. Objects can be chosen by using the scroll **up** or **down** arrows and pressing ENTER. To find out more information about any given object press the ENTER button while that object is displayed to see the scrolling text message.

**Telescope:** The Telescope Mode of Discoverer provides real-time data on where the telescope is pointing. Astronomical Coordinates for Right Ascension (RA) and Declination (DEC) as well as Altitude (ALT) and Azimuth (AZ) are displayed simultaneously. In addition, in the lower right-hand corner will be the abbreviation for the current constellation that the telescope is pointed at.

**Identify:** The Identify Mode of Discoverer provides the ability to identify any object within your telescope field of view. Subcategories for different classes of identifiable objects are included as well as an Identify Any option.

**Align Star:** The Align Star Mode of Discoverer provides the ability to align your telescope utilizing some astronomical knowledge. By knowing where two stars are located in the sky, a novice user can quickly start utilizing the Discoverer database to locate amazing astronomical objects.

## ALIGNING DISCOVERER FOR THE FIRST TIME

*(NOTE: Make certain that the telescope is set up on a level surface.)*

### STEP 1:

Before turning the telescope on, remove the remote control handset. When you turn the telescope on, a spoken and scrolling message will occur:

#### **BUSHNELL DISCOVERER Vx.x**

Then the default menu will appear:

**SELECT MODE**  
**ALIGN STAR ↑↓**

The ALIGN STAR option is flashing.

Press ENTER to choose ALIGN STAR option.

NOTE: ANY FLASHING ITEM ON THE DISPLAY IS A MENU CHOICE. OTHER CHOICES ARE AVAILABLE BY USING THE SCROLL UP OR SCROLL DOWN BUTTONS.

A scrolling message indicates to CENTER STAR 1 THEN PRESS ENTER

To center your first guide star, simply choose a star that you know from the list on the screen. Repeat for Star 2.

After this step is completed, you will see a display that reads:

**ALIGN COMPLETE**  
**RATING \*\*\*\*\***

(Note: The more stars that appear on the second line of the display the better, up to 5)

## USING DISCOVERER FOR THE FIRST TIME

After ALIGN STAR, the display will then read:

**SELECT MODE**  
**EXPLORE ↑↓**

Select EXPLORE by pressing ENTER. SCROLL UP and DOWN to see what flashing menu choices you have. Choose PLANET. These are the most interesting. Even if you are a first time telescope user, PLANET objects can be very exciting.

Press ENTER when the display reads:

**EXPLORE**  
**PLANET**

This will take you into a list of named PLANET objects. By using the SCROLL UP or SCROLL DOWN buttons, you can explore several items in the object list.

**PLANET**  
**JUPITER ↑↓**

Press ENTER to choose the PLANET you wish to view. The display will then be:

**PLANET**  
**←120 ↑52 JUPITER**

## USING DISCOVERER FOR THE FIRST TIME (Continued)

NOTE: IF AN OBJECT IS BELOW THE HORIZON, THE DISPLAY WILL PERIODICALLY DISPLAY THE WORD "HORIZON."

SCROLL UP or SCROLL DOWN to see other PLANETS in the list. Notice the display shows you directions to each object. But what if you are a first time user wanting to find out more about the object? Wouldn't it be nice to know what the object is before moving the telescope?

PRESS ENTER when:

**PLANET**  
**←120 ↑52 JUPITER**

any other PLANET item is displayed. You will see a scrolling message telling you the coordinates for the object, how bright it is, how big it is, what its proper name is, what constellation it is in, and a brief description of what the object is. For JUPITER it reads:

**JUPITER fifth planet from sun.**  
**Largest planet in solar system.**  
**16 moons. Orbit is 11.86 years.**  
**Diameter 143,000 km. Named for roman king of gods.**

Now imagine that you are a parent trying to impress your children (or vice versa). Ten minutes into your first observing session you are already learning astronomical objects. This is a great educational tool !!!!

By pressing the BACK button, you move back to the previous level each time the button is pressed. Press the button three times and you are back at the main level menu. The display will read:

**SELECT MODE**  
**EXPLORE ↑↓**

SCROLL UP or SCROLL DOWN to select

**SELECT MODE**  
**SKY TOUR ↑↓**

Press ENTER.

This mode will take you through the best and brightest objects for each month. If you have done the ALIGN STAR alignment and entered the date, it will automatically take you to the current month. Don't know what some of these obscure objects and abbreviations mean? Just press the ENTER key for more information.

Press the BACK button until you get back to the main menu:

**SELECT MODE**  
**SKY TOUR ↑↓**

SCROLL UP or SCROLL DOWN until the display reads:

**SELECT MODE**  
**IDENTIFY ↑↓**

PRESS ENTER

This mode will default to the level

**IDENTIFY ANY**

By selecting this option with the ENTER key, it will IDENTIFY the object that you are currently viewing OR the closest object to where your telescope is currently pointed. You also have the options to choose other types of IDENTIFY menus. These will IDENTIFY the closest CLUSTERS, NEBULAS, etc. to your current telescope position.

## USING DISCOVERER FOR THE FIRST TIME (Continued)

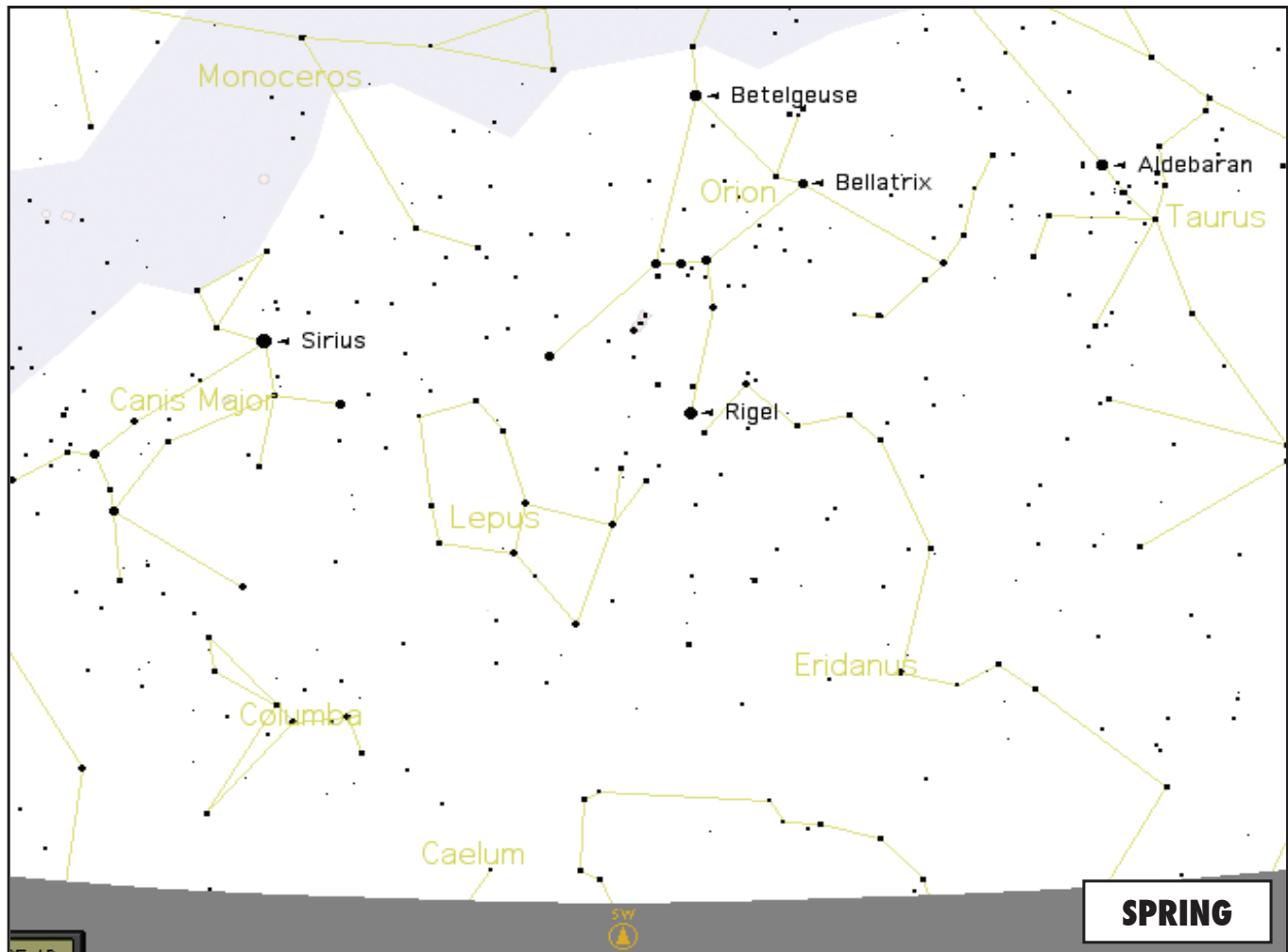
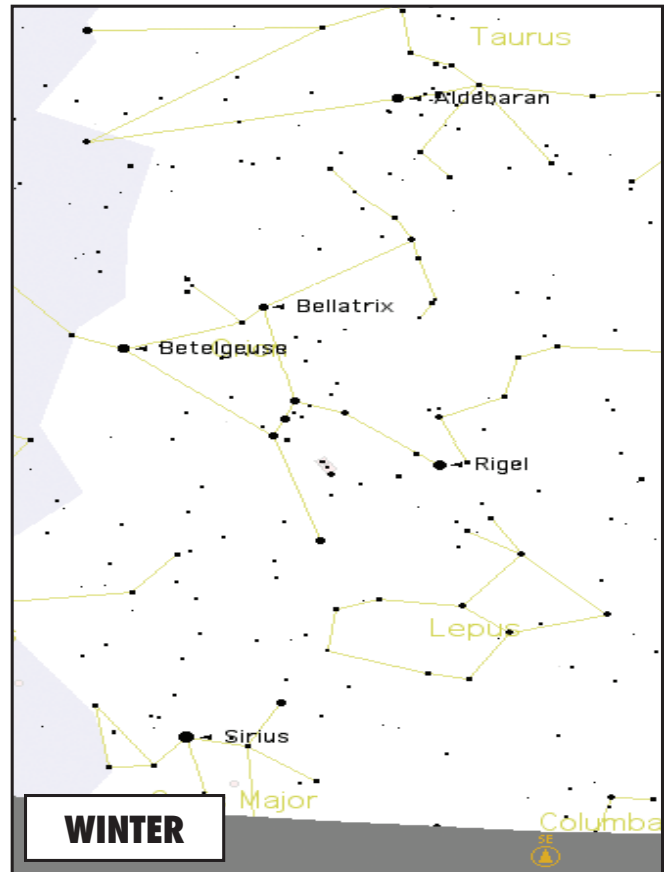
To select the final mode press ENTER at the display:

**SELECT MODE**  
**TELESCOPE ↑↓**

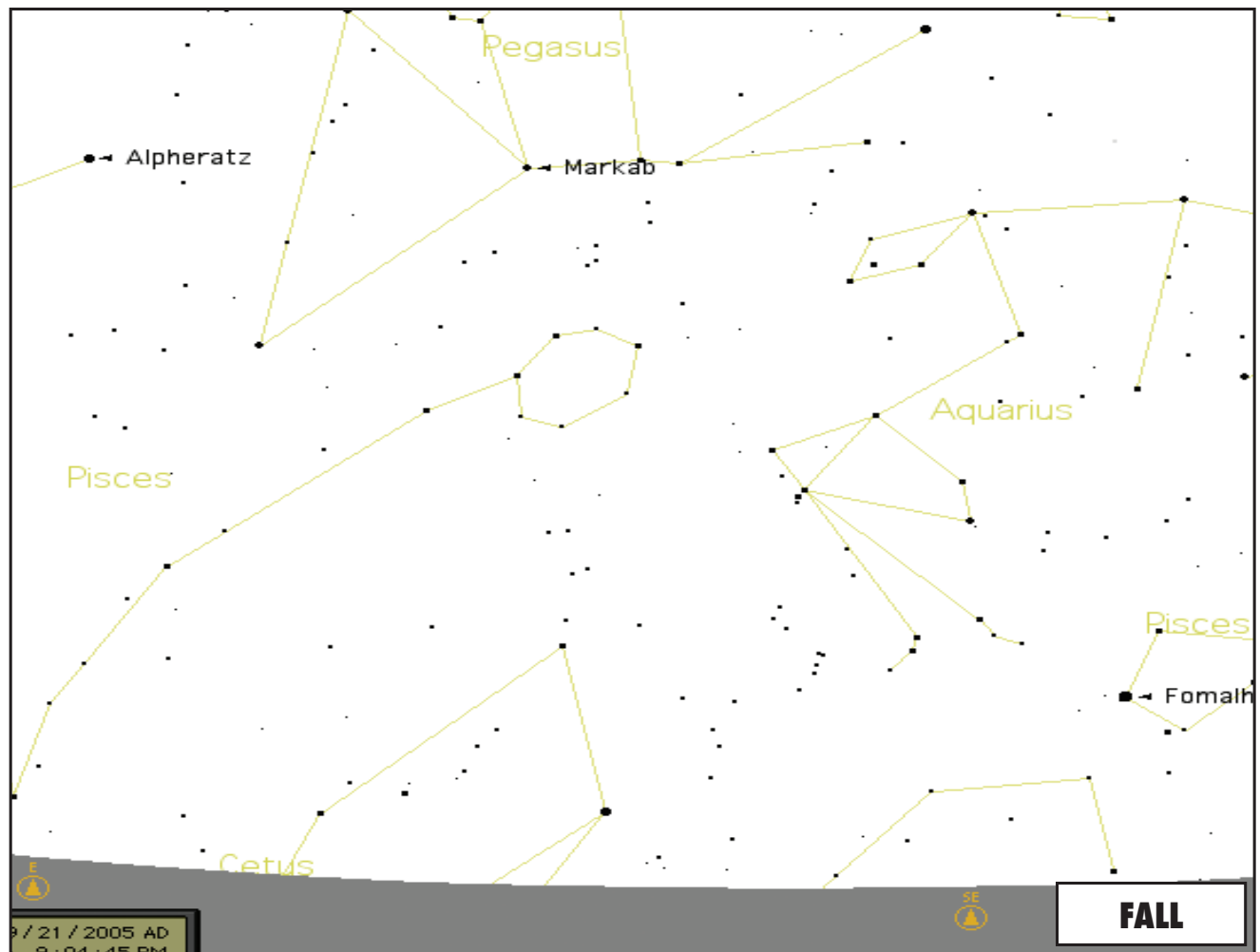
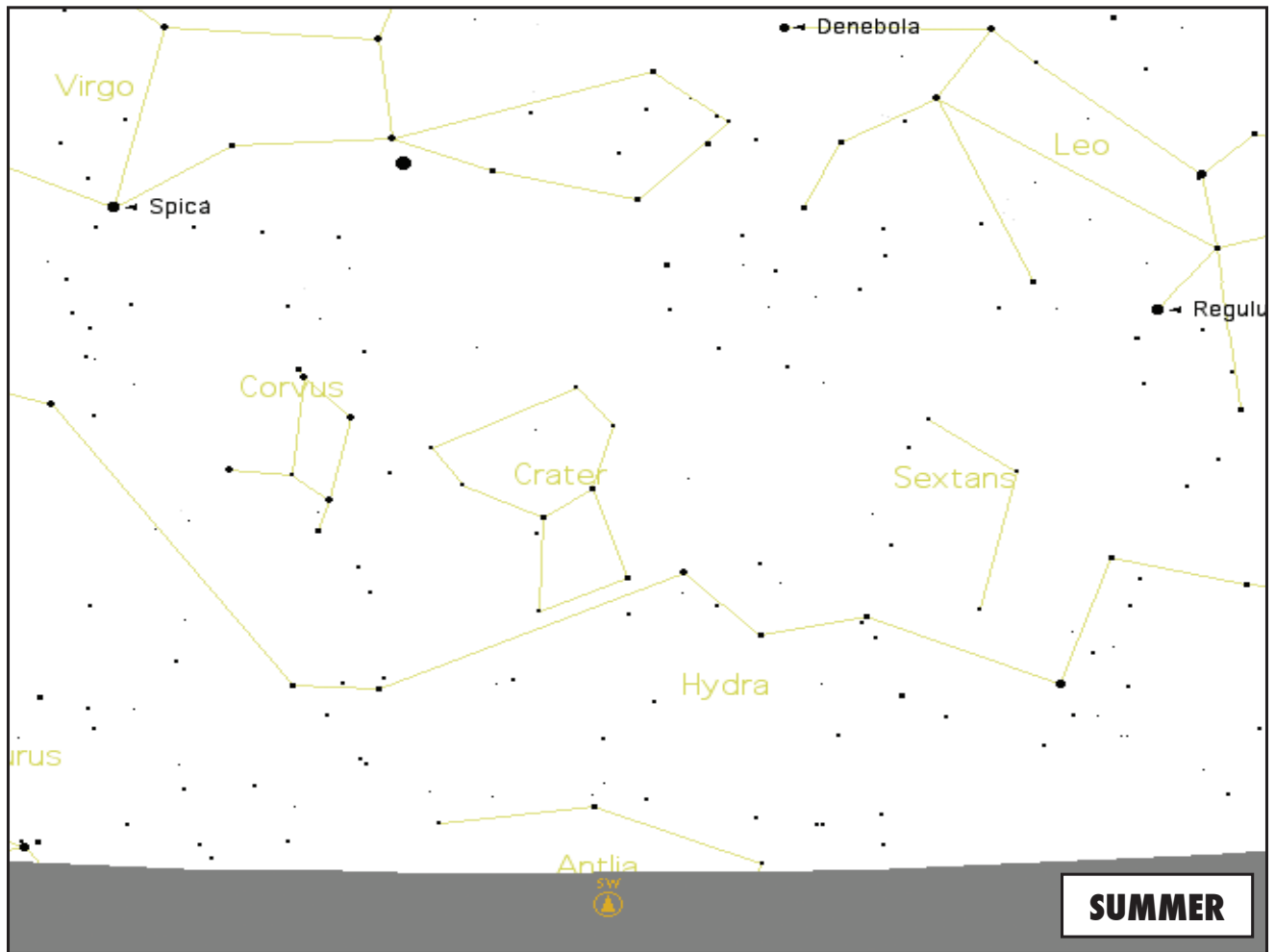
The display reads something like:

**RA18:53 DEC+38.7**  
**AZ280 ALT+62 LYR**

The TELESCOPE mode gives you dynamic real-time information on your telescope's current position in terms of astronomical coordinates. Play around with this mode by moving the telescope around. Notice the three letter abbreviation in the lower right portion of the display. This dynamically displays the current CONSTELLATION that the telescope is pointing at. These names are abbreviated in this mode. Definitions for the abbreviations will be in the catalog index.







# Catalog Index

The following appendix information is more thorough information than that listed in the main instruction manual. However, we have included the entire star list and the entire Messier object lists for your information. In addition, the constellation abbreviations are defined that are found in the Discoverer system.

## CONSTELLATION ABBREVIATIONS

Andromeda (And)	Lacerta (Lac)
Antila (Ant)	Leo (Leo)
Apus (Aps)	Leo Minor (LMi)
Aquarius (Aqr)	Lepus (Lep)
Aquila (Aql)	Libra (Lib)
Ara (Ara)	Lupus (Lup)
Aries (Ari)	Lynx (Lyn)
Auriga (Aur)	Lyra (Lyr)
Bootes (Boo)	Mensa (Men)
Caelum (Cae)	Microscopium (Mic)
Camelopardis (Cam)	Monoceros (Mon)
Cancer (Cnc)	Musca (Mus)
Canes Venatici (CVn)	Norma (Nor)
Canis Major (CMa)	Octans (Oct)
Canis Minor (CMi)	Ophiuchus (Oph)
Capricornus (Cap)	Orion (Ori)
Carina (Car)	Pavo (Pav)
Cassiopeia (Cas)	Pegasus (Peg)
Centaurus (Cen)	Perseus (Per)
Cepheus (Cep)	Phoenix (Phe)
Cetus (Cet)	Pictor (Pic)
Chameleon (Cha)	Pisces (Psc)
Circinus (Cir)	Piscis Austrinus (PsA)
Columbia (Col)	Puppis (Pup)
Coma Berenices (Com)	Pyxis (Pyx)
Corona Australis (CrA)	Reticulum (Ret)
Corona Borealis (CrB)	Sagitta (Sge)
Corvus (Crv)	Sagittarius (Sgr)
Crater (Crt)	Scorpius (Sco)
Crux (Cru)	Sculptor (Scl)
Cygnus (Cyg)	Scutum (Sct)
Delphinus (Del)	Serpens (Ser)
Dorado (Dor)	Sextans (Sex)
Draco (Dra)	Taurus (Tau)
Equuleus (Equ)	Telescopium (Tel)
Eridanus (Eri)	Triangulum (Tri)
Fornax (For)	Triangulum Australe (TrA)
Gemini (Gem)	Tucana (Tuc)
Grus (Gru)	Ursa Major (UMa)
Hercules (Her)	Ursa Minor (UMi)
Horologium (Hor)	Vela (Vel)
Hydra (Hya)	Virgo (Vir)
Hydrus (Hyi)	Volcans (Vol)
Indus (Ind)	Vulpecula (Vul)

# Catalog Index

NAME - NAME  
 RA - RIGHT ASCENSION (hours min.min)  
 DEC - DECLINATION (degrees)  
 MAG - MAGNITUDE  
 SIZE - SIZE  
 CON - CONSTELLATION

## Messier Catalog

MESSIER CATALOG		NAME	RA	DEC	MAG	SIZE	CON	DESCRIPTION
M001	Crab nebula supernova remnant	NGC 1952	05 34.5	+22.0	8.4	6'	Tau	nebula
M002		NGC 7089	21 33.5	-0.8	6	7'	Aqr	globular cluster highly resolved
M003		NGC 5272	13 42.2	+28.4	6	18'	Cvn	globular cluster highly resolved
M004		NGC 6121	16 23.6	-26.5	5.9	26'	Sco	globular cluster highly resolved
M005		NGC 5904	15 18.6	+02.1	6.2	13'	Ser	globular cluster highly resolved
M006	butterfly	NGC 6405	17 40.1	-32.2	4.6	25'	Sco	open cluster rich
M007		NGC 6475	17 53.9	-34.8	5	1°	Sco	open cluster bright scattered
M008	Lagoon	NGC 6523	18 03.8	-24.4	5	80'	Sgr	nebula with dust and cluster
M009		NGC 6333	17 19.2	-18.5	8	9'	Oph	globular cluster mottled
M010		NGC 6254	16 57.1	-4.1	7	8'	Oph	globular cluster highly resolved
M011	wild duck	NGC 6705	18 51.1	-6.3	6	12'	Sct	open cluster dense
M012		NGC 6218	16 47.2	-2	8	10'	Oph	globular cluster highly resolved
M013		NGC 6205	16 41.7	+36.5	5.7	23'	Her	globular cluster highly resolved
M014		NGC 6402	17 37.6	-3.3	9	6'	Oph	globular cluster
M015		NGC 7078	21 30.0	+12.2	6.5	10'	Peg	globular cluster highly resolved
M016	Eagle	NGC 6611	18 18.8	-13.8	6	7'	Ser	nebula with dust and cluster
M017	Swan	NGC 6618	18 20.8	-16.2	6	45'	Sgr	nebula
M018		NGC 6613	18 19.9	-17.1	8	7'	Sgr	open cluster bright scattered
M019		NGC 6273	17 02.6	-26.3	7	5'	Oph	globular cluster
M020	Trifid	NGC 6514	18 02.6	-23	6.3	25'	Sgr	nebula with dust
M021		NGC 6531	18 04.6	-22.5	7	10'	Sgr	open cluster rich
M022		NGC 6656	18 36.4	-23.9	6	18'	Sgr	globular cluster highly resolved
M023		NGC 6494	17 56.8	-19	7	30'	Sgr	open cluster dense
M024	small star cloud		18 15.9	-18.5	0	1.5°	Sgr	open cluster bright scattered
M025		IC 4725	18 31.6	-19.3	6	20'	Sgr	scattered group of stars
M026		NGC 6694	18 45.2	-9.4	9.5	9'	Sct	open cluster rich
M027	Dumbell	NGC 6853	19 59.6	+22.7	8	8'	Vul	planetary nebula irregular
M028		NGC 6626	18 24.5	-24.9	8	6'	Sgr	globular cluster highly resolved
M029		NGC 6913	20 23.9	+38.5	7	7'	Cyg	open cluster bright scattered
M030		NGC 7099	21 40.4	-23.2	8	6'	Cap	globular cluster highly resolved
M031	Great Andromeda Galaxy	NGC 224	00 42.7	+41.3	3.4	3°	And	very elongated galaxy dusty with bright core
M032		NGC 221	00 42.7	+40.9	8.2	8'	And	round galaxy with bright core
M033	Pinwheel	NGC 598	01 33.9	+30.7	5.7	60'	Tri	spiral galaxy structure with bright knots
M034		NGC 1039	02 42.0	+42.8	5.2	30'	Per	open cluster rich
M035		NGC 2168	06 08.9	+24.3	5.1	30'	Gem	open cluster rich
M036		NGC 1960	05 36.1	+34.1	6	12'	Aur	open cluster rich
M037		NGC 2099	05 52.4	+32.6	5.6	24'	Aur	open cluster dense
M038		NGC 1912	05 28.7	+35.8	6.4	21'	Aur	open cluster rich
M039		NGC 7092	21 32.2	+48.4	5	30'	Cyg	open cluster bright scattered
M040	Winnecke 4		12 19.8	+58.3	9	50"	UMa	double star
M041		NGC 2287	06 47.0	-20.7	4.5	38'	Cma	open cluster dense
M042	Great Orion nebula	NGC 1976	05 35.4	-5.5	4	1°	Ori	nebula
M043		NGC 1982	05 35.6	-5.3	9	20'	Ori	nebula bright with dust
M044	Behive	NGC 2632	08 40.1	+20.0	3.1	1.5°	Cnc	open cluster bright scattered
M045	Pleiades	Pleiades	03 47.0	+24.1	1.5	1.5°	Tau	scattered group of stars
M046		NGC 2437	07 41.8	-14.8	6.1	27'	Pup	open cluster dense
M047		NGC 2422	07 36.6	-14.5	4.4	30'	Pup	open cluster dense
M048		NGC 2548	08 13.8	-5.8	5.8	40'	Hya	open cluster rich
M049		NGC 4472	12 29.8	+08.0	8.4	8'	Vir	round galaxy with bright core
M050		NGC 2323	07 03.2	-8.3	6	20'	Mon	open cluster rich
M051	Whirlpool	NGC 5194	13 29.9	+47.2	8.1	11'	Cvn	spiral galaxy structure attached companion
M052		NGC 7654	23 24.2	+61.6	7	12'	Cas	open cluster dense
M053		NGC 5024	13 12.9	+18.2	8	10'	Com	globular cluster highly resolved
M054		NGC 6715	18 55.1	-30.5	9	6'	Sgr	globular cluster mottled
M055		NGC 6809	19 40.0	-31	7	15'	Sgr	globular cluster highly resolved
M056		NGC 6779	19 16.6	+30.2	8	5'	Lyr	globular cluster highly resolved

M057	Ring	NGC 6720	18 53.6	+33.0	9.7	80"	Lyr	planetary nebula ring with central star
M058		NGC 4579	12 37.7	+11.8	9.8	5'	Vir	round galaxy with bright core
M059		NGC 4621	12 42.0	+11.7	9.8	2'	Vir	elongated galaxy with bright core
M060		NGC 4649	12 43.7	+11.6	8.8	3.5'	Vir	round galaxy with bright core
M061		NGC 4303	12 21.9	+04.5	9.7	5'	Vir	spiral galaxy structure
M062		NGC 6266	17 01.2	-30.1	6.5	9'	Oph	globular cluster
M063	Sunflower	NGC 5055	13 15.8	+42.0	8.6	9'	Cvn	elongated galaxy with bright core
M064	Black eye	NGC 4826	12 56.7	+21.7	8.6	7.5'	Com	elongated galaxy dusty
M065	Leo triplet	NGC 3623	11 18.9	+13.1	9.3	10'	Leo	very elongated galaxy with bright core
M066	Leo triplet	NGC 3627	11 20.2	+13.0	9	9'	Leo	spiral galaxy structure
M067		NGC 2682	08 50.4	+11.8	7	30'	Cnc	open cluster dense
M068		NGC 4590	12 39.5	-26.8	8	9'	Hya	globular cluster highly resolved
M069		NGC 6637	18 31.4	-32.4	7.5	4'	Sgr	globular cluster
M070		NGC 6681	18 43.2	-32.3	8	4'	Sgr	globular cluster
M071		NGC 6838	19 53.8	+18.8	9	6'	Sge	globular cluster highly resolved
M072		NGC 6981	20 53.5	-12.5	8.6	3'	Aqr	globular cluster
M073		NGC 6994	20 59.0	-12.6	8.9	?	Aqr	asterism
M074		NGC 628	01 36.7	+15.8	9.2	10'	Psc	spiral galaxy structure
M075		NGC 6864	20 06.1	-21.9	8	3'	Sgr	globular cluster unresolved
M076	little dumbbell	NGC 650	01 42.4	+51.6	10.1	2'	Per	planetary nebula irregular
M077		NGC 1068	02 42.7	-0.1	8.8	7'	Cet	round galaxy with bright core
M078		NGC 2068	05 46.7	+00.1	8	8'	Ori	reflection nebula bright
M079		NGC 1904	05 24.5	-24.6	8.4	7.5'	Lep	globular cluster highly resolved
M080		NGC 6093	16 17.0	-23	7.2	9'	Sco	globular cluster mottled
M081	Bodes nebula	NGC 3031	09 55.6	+69.1	6.9	26'	Uma	spiral galaxy structure
M082		NGC 3034	09 55.8	+69.7	8.4	9'	Uma	very elongated galaxy with dust and bright knots
M083		NGC 5236	13 37.0	-29.9	8	10'	Hya	barred spiral galaxy structure
M084		NGC 4374	12 25.1	+12.9	9.3	4'	Vir	round galaxy with bright core
M085		NGC 4382	12 25.4	+18.2	9.3	5'	Com	round galaxy with bright core
M086		NGC 4406	12 26.2	+13.0	9.2	7'	Vir	round galaxy with bright core
M087		NGC 4486	12 30.8	+12.4	8.6	7'	Vir	round galaxy with bright core
M088		NGC 4501	12 32.0	+14.4	9.5	6'	Com	very elongated galaxy with bright core
M089		NGC 4552	12 35.7	+12.6	9.8	3'	Vir	round galaxy with bright core
M090		NGC 4569	12 36.8	+13.2	9.5	9'	Vir	very elongated galaxy with bright core
M091		NGC 4548	12 35.4	+14.5	10.2	4.5'	Com	elongated galaxy with bright core
M092		NGC 6341	17 17.1	+43.1	6.5	8'	Her	globular cluster highly resolved
M093		NGC 2447	07 44.6	-23.9	6.2	20'	Pup	open cluster dense
M094		NGC 4736	12 50.9	+41.1	8.2	5'	Cvn	elongated galaxy with bright core
M095		NGC 3351	10 44.0	+11.7	9.7	4'	Leo	barred spiral galaxy structure
M096		NGC 3368	10 46.8	+11.8	9.3	6'	Leo	round galaxy with bright core
M097	Owl	NGC 3587	11 14.8	+55.0	11	2.5'	Uma	planetary nebula irregular
M098		NGC 4192	12 13.8	+14.9	10	8.2'	Com	very elongated galaxy with bright core
M099		NGC 4254	12 18.8	+14.4	10	5'	Com	spiral galaxy structure
M100		NGC 4321	12 22.9	+15.8	9.4	7'	Com	round galaxy with bright core
M101		NGC 5457	14 03.2	+54.4	7.8	20'	Uma	spiral galaxy structure with bright knots
M102		NGC 5866	15 06.5	+55.8	10	3'	Dra	very elongated galaxy dusty with bright core
M103		NGC 581	01 33.2	+60.7	7.4	6'	Cas	open cluster rich
M104	sombrero	NGC 4594	12 40.0	-11.6	8.2	7'	Vir	edge on galaxy dusty
M105		NGC 3379	10 47.8	+12.6	9.3	4'	Leo	round galaxy with bright core
M106		NGC 4258	12 19.0	+47.3	8.3	18'	Cvn	spiral galaxy structure with bright knots
M107		NGC 6171	16 32.5	-13.1	9	7'	Oph	globular cluster
M108		NGC 3556	11 11.5	+55.7	10.1	8'	Uma	very elongated galaxy with dust and bright knots
M109		NGC 3992	11 57.6	+53.4	9.8	8'	Uma	elongated galaxy with bright core
M110		NGC 205	00 40.4	+41.7	8	17'	And	elongated galaxy

## Star Catalog

STAR CATALOG	NAME	RA	DEC	MAG	SIZE	CON	DESCRIPTION	
ST001	ΟΣΣ254	00 01.2	+60 21	7.6	59"	Cas	colored double star	
ST002	30	30 PSC	00 02.0	-6	4.4	* Psc	red variable star	
ST003	Σ3053	00 02.6	+66 06	5.9	15"	Cas	colored double star	
ST004	SU	SU AND	00 04.6	+43.5	8	* And	red variable star	
ST005	Ced214	Cederblad 214	00 04.7	+67.2	7.8	30'	Cep	emission nebula
ST006	Σ3062	ADS 61	00 06.3	+58.4	6.4	1.5"	Cas	double star challenge
ST007	Alpheratz	Alpha And	00 08.4	+29 05	2.1	* And	star	
ST008	Σ2	Struve 2	00 09.3	+79.7	6.6	0.8"	Cep	double star challenge
ST009	Kappa	β 391	00 09.4	-28 00	6.2	2"	Scl	double star challenge
ST010	Algenib	Gamma PEG	00 13.2	+15.2	2.8	* Peg	star	
ST011	AD	AD Cet	00 14.5	-7.8	4.9	1.5°	Cet	red variable star
ST012	7	7 CET	00 14.6	-18.9	4.4	* Cet	red variable star	
ST013	35 Psc	Σ12, UU Psc	00 15.0	+08 49	5.8	12"	Psc	colored double star
ST014	S	S SCL	00 15.4	-32.1	5.5	* Scl	variable star	

ST015	Σ13	Struve 13	00 16.2	+76.9	7	0.9"	Cep	double star challenge
ST016	ST	ST CAS	00 17.6	+50.3	9	*	Cas	red variable star
ST017	Groombridge34	Groombridge 34	00 18.1	+44.0	8	39"	And	double star
ST018	Σ24		00 18.5	+26 08	7.6	5"	And	double star
ST019	Iota	Iota CET	00 19.4	-8.8	3.5	*	Cet	star
ST020	VX	VX AND	00 19.9	+44.7	8	*	And	star
ST021	R		00 24.0	+38 35	5.8	Stellar	And	variable star
ST022	Σ30		00 27.2	+49 59	6.9	15"	Cas	double star
ST023	AQ	AQ AND	00 27.6	+35.6	6.9	*	And	red variable star
ST024	Beta	Beta TUC	00 31.5	-63	4.4	27"	Tuc	double star
ST025	Σ36	Struve 36	00 32.4	+06.9	5.7	28"	Psc	double star
ST026	Zeta	Zeta CAS	00 37.0	+53.9	3.7	*	Cas	star
ST027	Delta	Delta AND	00 39.3	+30.9	3.3	*	And	star
ST028	55		00 39.9	+21 26	5.4	6"	Psc	colored double star
ST029	Schedar	Alpha CAS	00 40.5	+56.5	2.2	*	Cas	star
ST030	ΟΣ18	ADS 588	00 42.4	+04.2	7.8	1.5"	Psc	double star challenge
ST031	HN	HN 122	00 45.7	+75.0	5.7	36"	Cas	double star
ST032	Delta	Delta PSC	00 48.7	+07.6	4.4	*	Psc	star
ST033	Eta		00 49.1	+57 49	3.4	12"	Cas	colored double star
ST034	65	65 PSC	00 49.9	+27.7	6.3	4.4"	Psc	colored double star
ST035	Do13	Dolidze 13	00 50.0	+64.1	11	13'	Cas	scattered group of stars
ST036	Lambda1	Lambda1 TUC	00 52.4	-69.5	6.5	21"	Tuc	double star
ST037	36	36 AND	00 55.0	+23.6	6	0.8"	And	double star challenge
ST038	Navi	Gamma CAS	00 56.7	+60.7	2.5	*	Cas	star
ST039	Σ80		00 59.4	+00 47	8.4	26"	Cet	double star equal magnitude
ST040	Σ79		01 00.1	+44 43	6	8"	And	double star equal magnitude
ST041	U		01 02.3	+81 51	6.8	Stellar	Cep	variable star
ST042	Psi-1	Σ88, 74 Psc	01 05.6	+21 28	5.3	30"	Psc	double star equal magnitude
ST043	77	Σ90	01 05.8	+04 55	6.8	33"	Psc	double star
ST044	Zeta	Zeta PHE	01 08.4	-55.3	3.9	6.4"	Phe	double star
ST045	Eta	Eta CET	01 08.6	-10.2	3.5	*	Cet	star
ST046	Lux Lydiae	Lux Lydiae	01 08.7	+86.3	4.3	*	Cep	star
ST047	Mirach	Beta AND	01 09.7	+35.6	2	*	And	star
ST048	Zeta	Zeta PSC	01 13.7	+07.6	5.6	23"	Psc	double star
ST049	Kappa	Kappa TUC	01 15.8	-68.9	5.1	5.4"	Tuc	double star
ST050	Z	Z PSC	01 16.2	+25.8	8.8	*	Psc	star
ST051	42	Σ113	01 19.8	-00 31	6.4	1.6"	Cet	double star challenge
ST052	Psi	Psi CAS	01 25.9	+68.1	4.7	25"	Cas	double star magnitude contrast
ST053	R	R SCL	01 27.0	-32.5	6.1	*	Scl	variable star
ST054	Gamma	Gamma PHE	01 28.4	-43.3	3.4	4'	Phe	star
ST055	Achernar	Alpha Eri	01 37.7	-57 14	0.5	*	Eri	star
ST056	51	51 AND	01 38.0	+48.6	3.6	*	And	star
ST057	UV	UV CET	01 38.8	-18	7	*	Cet	variable star
ST058	p	p ERI	01 39.8	-56.2	5.8	11.5"	Eri	double star
ST059	Nu	Nu PSC	01 41.4	+05.5	4.4	*	Psc	star
ST060	44	44 CAS	01 43.3	+60.6	5.8	1.6"	Cas	double star
ST061	Phi	Phi PER	01 43.7	+50.7	4.1	*	Per	star
ST062	Σ162		01 49.3	+47 54	5.8	2"	Per	triple star challenge
ST063	1	1 ARI	01 50.1	+22.3	6	2.6"	Ari	double star
ST064	Σ163		01 51.3	+64 51	6.6	35"	Cas	colored double star
ST065	Zeta	Zeta CET	01 51.5	-10.3	3.7	3'	Cet	double star
ST066	Σ178		01 52.0	+10 48	8.5	3"	Ari	double star equal magnitude
ST067	Gamma	Gamma ARI	01 53.5	+19.3	4.5	8"	Ari	double star equal magnitude
ST068	Psi	Psi PHE	01 53.6	-46.3	4.4	5°	Phe	red variable star
ST069	Epsilon	Epsilon CAS	01 54.4	+63.7	3.4	*	Cas	star
ST070	Σ186	Struve 186	01 55.9	+01.9	6.8	1"	Cet	double star challenge
ST071	56	56 AND	01 56.2	+37.3	5.7	3'	And	double star
ST072	Lambda	Lambda ARI	01 57.9	+23.6	4.8	37"	Ari	double star
ST073	Upsilon	Upsilon CET	02 00.0	-21.1	4	*	Cet	star
ST074	Alpha	Alpha PSC	02 02.0	+02.8	4	1.6"	Psc	double star challenge
ST075	Almach	Gamma AND	02 03.9	+42.3	2.2	10"	And	colored double star
ST076	Hamal	Alpha ARI	02 07.2	+23.5	2	*	Ari	star
ST077	59 And		02 10.9	+39 02	5.6	16"	And	colored double star
ST078	Iota	Iota TRI	02 12.4	+30.3	5	3.8"	Tri	colored double star
ST079	Σ231	Struve 231	02 12.8	-2.4	5.7	16.5"	Cet	double star
ST080	Σ228	Struve 228	02 14.0	+47.5	6.6	1.1"	And	double star challenge
ST081	Σ232		02 14.7	+30 24	8	7"	Tri	double star equal magnitude
ST082	Σ239		02 17.4	+28 44	7	14"	Tri	double star
ST083	Mira	Omicron CET	02 19.3	-3	2	*	Cet	variable star
ST084	Iota	Iota CAS	02 29.1	+67.4	4	2.2"	Cas	triple star
ST085	Σ268		02 29.4	+55 31	6.9	3"	Per	double star
ST086	Σ274		02 31.5	+01 05	7.3	14"	Cet	double star equal magnitude
ST087	Polaris	Alpha UMi	02 31.8	+89 16	2	18"	UMi	double star
ST088	Omega	h 3506	02 33.9	-28 13	5	11"	For	double star
ST089	30		02 37.0	+24 38	6.5	39"	Ari	colored double star

ST090	R	R TRI	02 37.0	+34.3	5.4	*	Tri	variable star
ST091	Gamma	Gamma CET	02 43.3	+03.2	3.6	2.7"	Cet	double star
ST092	Σ305		02 47.5	+19 22	7.4	3"	Ari	double star challenge
ST093	RZ		02 48.9	+69 38	6.2	Stellar	Cas	variable star
ST094	pi		02 49.3	+17 28	5.2	3"	Ari	triple star
ST095	Eta	Σ307	02 50.7	+55 53	3.9	28"	Per	double star magnitude contrast
ST096	R	R HOR	02 53.9	-49.9	4.7	*	Hor	variable star
ST097	Σ330	Struve 330	02 57.2	-0.6	7.3	9"	Cet	double star
ST098	Acamar	Theta ERI	02 58.3	-40.3	3.5	8"	Eri	double star
ST099	Epsilon	Epsilon ARI	02 59.2	+29.3	4.6	1.4"	Ari	double star challenge
ST100	Epsilon		02 59.2	+21 20	4.6	1"	Ari	double star challenge
ST101	Σ331		03 00.8	+52 20	5.4	12"	Per	double star
ST102	Menkar	Alpha CET	03 02.3	+04.1	2.5	*	Cet	star
ST103	Rho	Rho PER	03 05.2	+38.8	3.4	*	Per	red variable star
ST104	Σ320		03 06.2	+79 24	5.8	5"	Cep	colored double star
ST105	h3568	h3568	03 07.5	-79	5.6	15"	Hyi	double star
ST106	Algol	Beta PER	03 08.2	+41.0	2.2	*	Per	variable star
ST107	Alpha	Alpha FOR	03 12.1	-29	4	5"	For	double star
ST108	h3556	h3556	03 12.4	-44.4	6	3.5"	Eri	double star
ST109	Σ362		03 16.3	+60 02	8.5	7"	Cam	double star equal magnitude
ST110	Σ369		03 17.2	+40 29	6.7	3"	Per	colored double star
ST111	ADS2446	ADS 2446	03 17.7	+38.6	7.8	0.9"	Per	double star challenge
ST112	Zeta	Zeta RET	03 18.2	-62.5	5.2	5'	Ret	double star
ST113	Tau4	Tau4 ERI	03 19.5	-21.8	3.7	*	Eri	star
ST114	Toms Topaz	Tom's Topaz	03 20.3	+29.0	4.5	9°	Ari	star
ST115	Mirfak	Alpha Per	03 24.3	+49 52	1.8	*	Per	star
ST116	Y	Y PER	03 27.7	+44.2	8.1	*	Per	variable star
ST117	Σ394		03 28.0	+20 27	7.1	7"	Ari	double star
ST118	Σ385	Struve 385	03 29.1	+59.9	4.2	2.4"	Cam	double star
ST119	Σ389		03 30.1	+59 21	6.5	2.7"	Cam	double star
ST120	Sigma	Sigma PER	03 30.6	+48.0	4.4	*	Per	star
ST121	Σ401		03 31.3	+27 34	6.4	11"	Tau	double star equal magnitude
ST122	Epsilon	Epsilon ERI	03 32.9	-9.5	3.7	*	Eri	star
ST123	Σ400	Struve 400	03 35.0	+60.0	6.8	1.4"	Cam	double star
ST124	OΣ36	O.Struve 36	03 40.0	+63.9	6.8	46"	Cam	double star
ST125	U1	U(1) CAM (?)	03 41.6	+62.6	8.1	0	Cam	variable star
ST126	Omicron	Omicron PER	03 44.3	+32.3	3.8	0	Per	star
ST127	Pi	Pi ERI	03 46.1	-12.1	4.4	*	Eri	red variable star
ST128	Gamma	Gamma HYI	03 47.2	-74.2	3.2	*	Hyi	star
ST129	30	30 TAU	03 48.3	+11.2	5	9"	Tau	double star
ST130	F	Δ 16	03 48.6	-37 37	4.9	8"	Eri	double star equal magnitude
ST131	BE	BE CAM	03 49.5	+65.5	4.5	*	Cam	star
ST132	Atik	Zeta PER	03 54.1	+31.9	2.9	*	Per	star
ST133	32	32 ERI	03 54.3	-3	5	7"	Eri	colored double star
ST134	Epsilon		03 57.9	+40 01	2.9	9"	Per	double star magnitude contrast
ST135	Gamma	Gamma ERI	03 58.0	-13.5	3	*	Eri	star
ST136	Lambda	Lambda TAU	04 00.7	+12.5	3.3	*	Tau	variable star
ST137	OΣ531	ADS 2995	04 07.6	+38.1	7.4	1.4"	Per	double star challenge
ST138	SZ	Σ485	04 07.8	+62 20	7	90"	Cam	double star
ST139	Omicron2	Omicron2 ERI	04 15.2	-7.7	4.5	83"	Eri	triple star challenge
ST140	Epsilon	Epsilon RET	04 16.5	-59.3	4.4	*	Ret	star
ST141	Theta	Theta RET	04 17.7	-63.3	6.2	4"	Ret	double star
ST142	Phi	Phi TAU	04 20.4	+27.4	5	52"	Tau	double star
ST143	T		04 22.0	+19 32	8.4	Stellar	Tau	variable star
ST144	Chi	Chi TAU	04 22.6	+25.6	5.5	19.4"	Tau	double star
ST145	ADS3169	ADS 3169	04 22.7	+15.1	7.3	1.4"	Tau	double star challenge
ST146	43	43 ERI	04 24.0	-34	4	*	Eri	red variable star
ST147	β 184		04 27.9	-21 30	7.3	1.7"	Eri	double star challenge
ST148	Σ552		04 31.4	+40 01	7	9"	Per	double star equal magnitude
ST149	1		04 32.0	+53 55	5.4	10"	Cam	colored double star
ST150	Σ559		04 33.5	+18 01	6.9	3"	Tau	double star equal magnitude
ST151	46	46 ERI	04 33.9	-6.7	5.7	4'	Eri	double star
ST152	Aldebaran	Alpha TAU	04 35.9	+16.5	0.9	30"	Tau	colored double star
ST153	Nu	Nu ERI	04 36.3	-3.4	3.9	11°	Eri	star
ST154	53	53 ERI	04 38.2	-14.3	3.9	*	Eri	star
ST155	Σ572		04 38.5	+26 56	7.3	4"	Tau	double star equal magnitude
ST156	54	54 ERI	04 40.4	-19.7	4.3	*	Eri	red variable star
ST157	R	R CAE	04 40.5	-38.2	6.7	*	Cae	variable star
ST158	55	Σ590	04 43.6	-08 48	6.7	9"	Eri	double star equal magnitude
ST159	Iota	Iota PIC	04 50.9	-53.5	5.6	12"	Pic	double star
ST160	ST		04 51.2	+68 10	9.2	Stellar	Cam	red variable star
ST161	Pi4	Pi4 ORI	04 51.2	+05.6	3.7	*	Ori	star
ST162	TT	TT TAU	04 51.6	+28.5	8	*	Tau	variable star
ST163	Pi5	Pi5 ORI	04 54.2	+02.4	3.7	*	Ori	star
ST164	Omicron2	Omicron2 ORI	04 56.4	+13.5	4.1	*	Ori	star



ST165	Iota	Iota AUR	04 57.0	+33.2	2.7	*	Aur	star
ST166	Pi6	Pi6 ORI	04 58.5	+01.7	4.5	*	Ori	star
ST167	Omega	Omega AUR	04 59.3	+37.9	5	5.4"	Aur	double star
ST168	Hinds Crimson Star	R LEP	04 59.6	-14.8	5.9	*	Lep	variable star
ST169	Σ627		05 00.6	+03 36	6.6	21"	Ori	double star equal magnitude
ST170	Σ631	Struve 631	05 00.7	-13.5	7.5	5.5"	Lep	double star
ST171	Σ630	Struve 630	05 02.0	+01.6	6.5	15"	Ori	double star
ST172	Epsilon		05 02.0	+43 49	2.9	Stellar	Aur	variable star
ST173	Zeta	Zeta AUR	05 02.5	+41.1	3.8	*	Aur	star
ST174	W	W ORI	05 05.4	+01.2	8.6	*	Ori	variable star
ST175	Epsilon	Epsilon LEP	05 05.5	-22.4	3.2	*	Lep	star
ST176	Eta	Eta AUR	05 06.5	+41.2	3.2	*	Aur	star
ST177	14	OΣ98	05 07.9	+08 29	5.9	0.7"	Ori	double star challenge
ST178	TX	TX AUR	05 09.1	+39.0	8.5	*	Aur	variable star
ST179	SY	SY ERI	05 09.8	-5.6	9	*	Eri	variable star
ST180	Σ644		05 10.4	+37 17	6.8	2"	Aur	double star challenge
ST181	Iota	Iota LEP	05 12.3	-11.9	4.5	13"	Lep	double star
ST182	Rho		05 13.3	+02 52	4.5	7"	Ori	colored double star
ST183	Rigel	Beta ORI	05 14.5	-8.2	0	9.4"	Ori	double star magnitude contrast
ST184	Σ653	Struve 653	05 15.4	+32.7	5.1	11"	Aur	triple star
ST185	Capella	Alpha Aur	05 16.7	+46 00	0.1	*	Aur	star
ST186	S 476		05 19.3	-18 30	6.2	39"	Lep	double star equal magnitude
ST187	h3750		05 20.5	-21 14	4.7	4"	Lep	double star magnitude contrast
ST188	UV	UV AUR	05 21.8	+32.5	7.4	*	Aur	variable star
ST189	ADS3954	ADS 3954	05 21.8	-24.8	5.5	3.2"	Lep	double star
ST190	Σ696	Struve 696	05 22.8	+03.6	5	32"	Ori	double star
ST191	Σ701	Struve 701	05 23.3	-8.4	6	6"	Ori	double star
ST192	Eta		05 24.5	-02 24	3.4	1.5"	Ori	double star challenge
ST193	Sigma	Sigma AUR	05 24.7	+37.4	5	9"	Aur	double star
ST194	Theta	Theta PIC	05 24.8	-52.3	6.8	38"	Pic	double star
ST195	Bellatrix	Gamma ORI	05 25.1	+06.3	1.6	*	Ori	star
ST196	Σ698	Struve 698	05 25.2	+34.9	6.6	31"	Aur	double star
ST197	118	Σ716	05 29.3	+25 09	5.8	5"	Tau	double star
ST198	31	31 ORI	05 29.7	-1.1	4.7	*	Ori	star
ST199	TL9	TL 9	05 30.0	+17.0	5	5°	Tau	asterism
ST200	Delta	Delta ORI	05 32.0	-0.3	2.2	53"	Ori	double star
ST201	119	119 TAU	05 32.2	+18.6	4.7	*	Tau	star
ST202	Σ718		05 32.4	+49 24	7.5	8"	Aur	double star equal magnitude
ST203	RT	RT ORI	05 33.2	+07.2	8	*	Ori	variable star
ST204	Σ747	Struve 747	05 35.0	-6	4.8	36"	Ori	double star
ST205	Lambda		05 35.1	+09 56	3.4	4"	Ori	double star magnitude contrast
ST206	Trapezium	Trapezium	05 35.3	-05 23	5.1	13"	Ori	quadruple star
ST207	Iota	Σ752	05 35.4	-05 55	2.9	11"	Ori	double star magnitude contrast
ST208	Epsilon	Epsilon ORI	05 36.2	-1.2	1.7	*	Ori	star
ST209	Phi2	Phi2 ORI	05 36.9	+09.3	4	*	Ori	star
ST210	Zeta	Zeta TAU	05 37.6	+21.1	3	*	Tau	star
ST211	Sigma		05 38.7	-02 36	3.7	11"	Ori	quadruple star
ST212	Alpha	Alpha COL	05 39.6	-34.1	2.6	*	Col	star
ST213	Alnitak	Zeta ORI	05 40.8	-1.9	2	2.4"	Ori	double star magnitude contrast
ST214	U2	U(2) CAM (?)	05 42.2	+62.5	7.7	*	Cam	variable star
ST215	Gamma	Gamma LEP	05 44.5	-22.5	3.7	97"	Lep	double star
ST216	Y	Y TAU	05 45.7	+20.7	7.1	*	Tau	variable star
ST217	Mu	Mu COL	05 46.0	-32.3	5.2	*	Col	star
ST218	Kappa	Kappa ORI	05 47.8	-9.7	2	*	Ori	star
ST219	52	Σ795	05 48.0	+06 27	6.1	1.3"	Ori	double star challenge
ST220	Beta	Beta COL	05 51.0	-35.8	3.1	*	Col	star
ST221	Delta	Delta LEP	05 51.3	-20.9	3.8	*	Lep	star
ST222	Nu	Nu AUR	05 51.5	+39.1	4	30'	Aur	star
ST223	Σ817		05 54.9	+07 02	8.8	19"	Ori	double star equal magnitude
ST224	Betelgeuse	Alpha Ori	05 55.2	+07 24	0.5	Stellar	Ori	star
ST225	U	U ORI	05 55.8	+20.2	5.3	*	Ori	variable star
ST226	Theta		05 59.7	+37 13	2.6	3.5"	Aur	double star magnitude contrast
ST227	Pi	Pi AUR	05 59.9	+45.9	4.3	1°	Aur	red variable star
ST228	Δ23		06 04.8	-48 27	7	2.7"	Pup	double star equal magnitude
ST229	Σ855		06 09.0	+02 30	6	30"	Ori	double star
ST230	TU	TU GEM	06 10.9	+26.0	7.5	*	Gem	variable star
ST231	41	Σ845	06 11.7	+48 42	6.1	8"	Aur	double star
ST232	SS	SS AUR	06 13.4	+47.0	10	*	Aur	variable star
ST233	Gamma	Gamma MON	06 14.9	-6.3	4	8°	Mon	star
ST234	Eta	Eta GEM	06 14.9	+22.5	3.3	*	Gem	star
ST235	Σ872	Struve 872	06 15.6	+36.2	6.9	11"	Aur	double star
ST236	KS	KS MON	06 19.7	-5.3	9.5	*	Mon	variable star
ST237	Zeta	Zeta CMA	06 20.3	-30.1	3	8.5°	Cma	star
ST238	V	V MON	06 22.7	-2.2	6	*	Mon	variable star
ST239	Mirzam	Beta CMA	06 22.7	-18	2	*	Cma	star

ST240	Mu	Mu GEM	06 23.0	+22.5	2.9	*	Gem	star
ST241	8		06 23.8	+04 36	4.3	13"	Mon	colored double star
ST242	Canopus	Alpha Car	06 24.0	-52 42	-0.7	*	Car	star
ST243	BL	BL ORI	06 25.5	+14.7	8.5	*	Ori	variable star
ST244	15		06 27.8	+20 47	6.6	27"	Gem	double star
ST245	Beta		06 28.8	-07 02	3.8	3"	Mon	triple star
ST246	ADS5150	ADS 5150	06 31.8	+38.9	11.5	4.5"	Aur	double star
ST247	20	20 GEM	06 32.3	+17.8	6.3	20"	Gem	colored double star
ST248	ADS5188	ADS 5188	06 34.3	+38.1	6.7	43"	Aur	double star
ST249	CR	CR GEM	06 34.4	+16.1	8.5	*	Gem	variable star
ST250	Σ928	ADS 5191	06 34.7	+38.4	7.6	3.5"	Aur	double star
ST251	ADS5201	ADS 5201	06 35.1	+37.1	7.4	2.6"	Aur	double star
ST252	Σ929	ADS 5208	06 35.4	+37.7	7.4	6"	Aur	double star
ST253	Σ939	Struve 939	06 35.9	+05.3	8.3	30"	Mon	double star
ST254	ADS5221	ADS 5221	06 36.2	+38.0	8.5	1.3"	Aur	double star challenge
ST255	Nu1	Nu1 CMA	06 36.4	-18.7	6	17.5"	Cma	colored double star
ST256	UU	UU AUR	06 36.5	+38.5	5.1	*	Aur	variable star
ST257	ADS5240	ADS 5240	06 36.9	+38.2	9.7	2.2"	Aur	double star
ST258	ADS5245	ADS 5245	06 37.3	+38.4	8.8	10"	Aur	double star
ST259	South529	South 529	06 37.6	+12.2	7.6	70"	Gem	double star
ST260	Innes5	Innes 5	06 38.0	-61.5	6.4	2.4"	Pic	double star
ST261	ADS5265	ADS 5265	06 38.4	+38.8	9.6	4.6"	Aur	double star
ST262	Innes1156	Innes 1156	06 39.1	-29.1	8	0.7"	Cma	double star challenge
ST263	SAO172106	SAO 172106	06 39.5	-30	7.8	2.5°	Cma	red variable star
ST264	Σ953		06 41.2	+08 59	7.1	7"	Mon	double star
ST265	VW	VW GEM	06 42.2	+31.5	8.7	*	Gem	variable star
ST266	Sirius	Alpha CMA	06 45.1	-16.7	-1	9"	Cma	double star magnitude contrast
ST267	12	Σ948	06 46.2	+59 27	4.9	2"	Lyn	triple star challenge
ST268	Σ958		06 48.2	+55 42	5.5	5"	Lyn	double star equal magnitude
ST269	Kappa	Kappa CMA	06 49.8	-32.5	4	*	Cma	star
ST270	14	14 LYN	06 53.1	+59.5	5.7	0.4"	Lyn	double star challenge
ST271	GY	GY MON	06 53.2	-4.6	9.4	*	Mon	variable star
ST272	Σ987		06 54.1	-05 51	7.1	1.3"	Mon	double star challenge
ST273	Omicron1	Omicron1 CMA	06 54.1	-24.2	3.9	*	Cma	star
ST274	Theta	Theta CMA	06 54.2	-12	4.1	*	Cma	star
ST275	38		06 54.6	+13 11	4.7	7"	Gem	colored double star
ST276	Mu	Σ997	06 56.1	-14 02	5.3	2.8"	Cma	double star magnitude contrast
ST277	BG	BG MON	06 56.4	+07.1	9.2	*	Mon	variable star
ST278	ΟΣ80	O. Struve (P) 80	06 58.1	+14.2	7.3	2'	Gem	asterism
ST279	RV	RV MON	06 58.4	+06.2	7	*	Mon	variable star
ST280	Epsilon	Epsilon CMA	06 58.6	-29	1.5	7.5"	Cma	double star
ST281	Sigma	Sigma CMA	07 01.7	-27.9	3.5	*	Cma	star
ST282	Omicron2	Omicron2 CMA	07 03.0	-23.8	3	*	Cma	star
ST283	Dunlop38	Dunlop 38	07 04.0	-43.6	5.6	20.5"	Pup	double star
ST284	Zeta	Zeta GEM	07 04.1	+20.6	3.7	*	Gem	variable star
ST285	Σ1009		07 05.7	+52 45	6.9	4.1"	Lyn	double star equal magnitude
ST286	R	R GEM	07 07.4	+22.7	6	*	Gem	variable star
ST287	W		07 08.1	-11 55	6.4	Stellar	CMA	red variable star
ST288	Gamma	Gamma VOL	07 08.8	-70.5	4	13.6"	Vol	double star
ST289	Tau	Tau GEM	07 11.1	+30.2	4.4	1.9"	Gem	double star
ST290	Σ1035		07 12.0	+22 17	8.2	4"	Gem	double star equal magnitude
ST291	Σ1037	Struve 1037	07 12.8	+27.2	7.2	1.3"	Gem	double star challenge
ST292	Omega	Omega CMA	07 14.8	-26.8	3.9	*	Cma	star
ST293	h3945		07 16.6	-23 19	4.5	27"	CMA	colored double star
ST294	Tau	h 3948	07 18.7	-24 57	4.4	15"	CMA	triple star
ST295	Delta	55 Gem	07 20.1	+21 59	3.5	6"	Gem	double star magnitude contrast
ST296	19	Σ1062	07 22.9	+55 17	5.6	15"	Lyn	triple star
ST297	Gamma	Gamma CMI	07 28.2	+08.9	4.3	*	Cmi	star
ST298	Sigma	Sigma PUP	07 29.2	-43.3	3.3	22"	Pup	double star
ST299	Σ1093	Struve 1093	07 30.3	+50.0	8.8	0.8"	Lyn	double star challenge
ST300	n	HN19, h269	07 34.3	-23 28	5.1	10"	Pup	double star equal magnitude
ST301	Castor	Alpha GEM	07 34.6	+31.9	2	1.8"	Gem	double star challenge
ST302	Upsilon	Upsilon GEM	07 35.9	+26.9	4.1	2.5°	Gem	red variable star
ST303	Σ1121		07 36.6	-14 29	7.9	7"	Pup	double star equal magnitude
ST304	K		07 38.8	-26 48	3.8	10"	Pup	double star equal magnitude
ST305	Procyon	Alpha CMi	07 39.3	+05 14	0.4	Stellar	CMi	star
ST306	Kappa	ΟΣ179	07 44.4	+24 23	3.7	7"	Gem	double star magnitude contrast
ST307	2	Σ1138	07 45.5	-14 41	6.1	17"	Pup	double star equal magnitude
ST308	Σ1127		07 47.0	+64 03	7	5"	Cam	triple star
ST309	Σ1149		07 49.4	+03 13	7.9	22"	Cmi	double star
ST310	U		07 55.1	+22 00	8.2	Stellar	Gem	variable star
ST311	Chi	Chi CAR	07 56.8	-53	3.5	4°	Car	star
ST312	Dunlop59	Dunlop 59	07 59.2	-50	6.5	16"	Pup	double star
ST313	S-h86	S-h 86	08 02.5	+63.1	6	49"	Cam	double star
ST314	Zeta	Zeta PUP	08 03.6	-40	2.3	4°	Pup	star



ST315	RT	RT PUP	08 05.4	-38.8	8.5	*	Pup	variable star
ST316	RU	RU PUP	08 07.5	-22.9	8.9	*	Pup	variable star
ST317	Epsilon	Epsilon VOL	08 07.9	-68.6	4.4	6"	Vol	double star
ST318	Gamma	Gamma VEL	08 09.5	-47.3	1.9	41"	Vel	double star
ST319	Zeta		08 12.2	+17 39	4.7	0.6"	Cnc	triple star challenge
ST320	c	c CAR	08 15.3	-62.9	5.3	4"	Car	double star
ST321	Beta	Beta CNC	08 16.5	+09.2	3.5	*	Cnc	star
ST322	R	R CNC	08 16.6	+11.7	6.1	*	Cnc	variable star
ST323	Kappa	Kappa VOL	08 19.8	-71.5	5.4	65"	Vol	double star
ST324	AC	AC PUP	08 22.7	-15.9	8.9	*	Pup	variable star
ST325	31	31 LYN	08 22.8	+43.2	4.3	15°	Lyn	star
ST326	Beta	Beta VOL	08 25.7	-66.1	3.8	6°	Vol	star
ST327	h4903	h4903	08 26.3	-39.1	6.5	8"	Pup	double star
ST328	24	Σ1224	08 26.7	+24 32	7.1	6"	Cnc	double star
ST329	Phi	Σ1223	08 26.7	+26 56	6.3	5"	Cnc	double star equal magnitude
ST330	h4104	h4104	08 29.1	-47.9	5.5	3.6"	Vel	double star
ST331	Δ70		08 29.5	-44 44	5	5"	Vel	double star
ST332	h4107		08 31.4	-39 04	6.4	4"	Vel	triple star
ST333	Σ1245		08 35.8	+06 37	6	10"	Cnc	double star
ST334	Sigma	Sigma HYA	08 38.8	+03.3	4.4	*	Hya	star
ST335	h4128	h4128	08 39.2	-60.3	6.9	1.4"	Car	double star challenge
ST336	Σ1254		08 40.4	+19 40	6.4	21"	Cnc	quadruple star
ST337	Alpha	Alpha PYX	08 43.6	-33.2	3.7	*	Pyx	star
ST338	Delta	Delta VEL	08 44.7	-54.7	2.1	2.6"	Vel	double star
ST339	Σ1270	ADS 6977	08 45.3	-2.6	6.4	5"	Hya	double star
ST340	Iota	Σ1268	08 46.7	+28 46	4	30"	Cnc	colored double star
ST341	Epsilon		08 46.8	+06 25	3.4	3"	Hyd	double star magnitude contrast
ST342	Σ1282		08 50.8	+35 03	7.5	4"	Lyn	double star equal magnitude
ST343	X	X CNC	08 55.4	+17.2	5.6	*	Cnc	variable star
ST344	66	Σ1298	09 01.4	+32 15	5.9	5"	Cnc	double star
ST345	Rho	Rho UMA	09 02.5	+67.6	4.8	1°	Uma	star
ST346	Σ1311		09 07.5	+22 59	6.9	8"	Cnc	double star equal magnitude
ST347	Suhail	Lambda Vel	09 08.0	-43 26	2.2	Stellar	Vel	star
ST348	Sigma2		09 10.4	+67 08	4.8	4"	Uma	double star magnitude contrast
ST349	a	a CAR	09 11.0	-59	3.4	50'	Car	star
ST350	h4188	h4188	09 12.5	-43.6	6.7	2.7"	Vel	double star
ST351	h4191		09 14.4	-43 13	5.2	6"	Vel	double star magnitude contrast
ST352	Σ1321		09 14.9	+52 42	8.1	18"	Uma	double star equal magnitude
ST353	g	g CAR	09 16.2	-57.5	4.3	5'	Car	star
ST354	RT	RT UMA	09 18.4	+51.4	8.6	*	Uma	variable star
ST355	38	Σ1334	09 18.8	+36 48	3.9	3"	Lyn	double star challenge
ST356	Σ1338		09 21.0	+38 11	6.6	1"	Lyn	double star challenge
ST357	Alpha	Alpha LYN	09 21.1	+34.4	3.1	*	Lyn	star
ST358	Kappa	Kappa VEL	09 22.1	-55	2.5	*	Vel	star
ST359	Σ1347		09 23.3	+03 30	7.2	21"	Hya	double star
ST360	Kappa	Kappa LEO	09 24.7	+26.2	4.5	2.1"	Leo	triple star
ST361	Σ1355		09 27.3	+06 14	7.5	2.3"	Hya	double star equal magnitude
ST362	Alphard	Alpha Hya	09 27.6	-08 40	2	Stellar	Hya	star
ST363	Omega	Omega LEO	09 28.5	+09.1	5.9	0.5"	Leo	double star challenge
ST364	Dunlop76	Dunlop 76	09 28.6	-45.5	7.8	61"	Vel	double star
ST365	Σ1360		09 30.6	+10 35	8.3	14"	Leo	double star equal magnitude
ST366	Zeta		09 30.8	-31 53	5.8	8"	Ant	double star
ST367	N	N VEL	09 31.2	-57	3.1	*	Vel	star
ST368	23	Σ1351	09 31.5	+63 03	3.8	23"	Uma	double star magnitude contrast
ST369	Lambda	Lambda LEO	09 31.7	+23.0	4.3	*	Leo	star
ST370	R	R CAR	09 32.2	-62.8	3.8	*	Car	variable star
ST371	Σ1369	Struve 1369	09 35.4	+40.0	6.5	25"	Lyn	double star
ST372	Iota	Iota HYA	09 39.9	-1.1	3.9	*	Hya	star
ST373	Upsilon	Upsilon CAR	09 47.1	-65.1	3.1	5"	Car	double star
ST374	R		09 47.6	+11 26	4.4	Stellar	Leo	red variable star
ST375	W	W SEX	09 51.0	-2	9	*	Sex	variable star
ST376	Y	Y HYA	09 51.1	-23	8.3	*	Hya	variable star
ST377	Mu	Mu LEO	09 52.8	+26.0	3.9	*	Leo	star
ST378	h4262	ADS 7571	09 54.5	-12.9	8.7	8"	Hya	double star
ST379	Regulus	Alpha Leo	10 08.4	+11 58	1.4	Stellar	Leo	star
ST380	S	S CAR	10 09.4	-61.6	4.5	*	Car	variable star
ST381	ADS7704	ADS 7704	10 16.3	+17.7	7.2	1.4"	Leo	double star challenge
ST382	Zeta	Zeta LEO	10 16.7	+23.4	3.4	5.5'	Leo	double star
ST383	q	q CAR	10 17.1	-61.3	3.4	*	Car	star
ST384	h4306	h4306	10 19.1	-64.7	5.6	2.1"	Car	double star
ST385	Algieba	Gamma LEO	10 20.0	+19.8	2.5	4.4"	Leo	double star
ST386	Mu	Mu UMA	10 22.3	+41.5	3	*	Uma	star
ST387	Mu	Mu HYA	10 26.1	-16.8	3.8	*	Hya	star
ST388	Alpha	Alpha ANT	10 27.2	-31.1	4.3	*	Ant	star
ST389	45	45 LEO	10 27.6	+09.8	6	3.8"	Leo	double star

ST390	Delta	HN 50	10 29.6	-30 36	5.7	11"	Ant	double star magnitude contrast
ST391	p	p CAR	10 32.0	-61.7	3.3	*	Car	star
ST392	Rho	Rho LEO	10 32.8	+09.3	3.9	*	Leo	star
ST393	49		10 35.0	+08 39	5.7	2"	Leo	double star challenge
ST394	U	U ANT	10 35.2	-39.6	8.1	*	Ant	variable star
ST395	Gamma	Gamma CHA	10 35.5	-78.6	4.1	*	Cha	star
ST396	U	U HYA	10 37.6	-13.4	7	*	Hya	variable star
ST397	Dunlop95	Dunlop 95	10 39.3	-55.6	4.3	52"	Vel	double star
ST398	35	Σ1466	10 43.4	+04 44	6.3	7"	Sex	double star
ST399	R	R UMA	10 44.6	+68.8	7.5	*	Uma	variable star
ST400	VY	VY UMA	10 45.1	+67.4	5.9	*	Uma	variable star
ST401	Delta	Delta CHA	10 45.8	-80.5	4.5	4.5'	Cha	double star
ST402	40	Σ1476	10 49.3	-04 01	6.9	2.5"	Sex	double star
ST403	Nu	Nu HYA	10 49.6	-16.2	3.1	*	Hya	star
ST404	54	54 LEO	10 55.6	+24.8	4.5	6.8"	Leo	double star
ST405	SAO251342	SAO 251342	11 17.5	-63.5	7	7"	Car	double star magnitude contrast
ST406	Xi	Xi UMA	11 18.2	+31.5	4.5	1.3"	Uma	double star challenge
ST407	Nu	Nu UMA	11 18.5	+33.1	3.5	7"	Uma	double star
ST408	Σ1529		11 19.4	-01 38	7	10"	Leo	double star
ST409	h4432	h4432	11 23.4	-65	5.1	2.3"	Mus	double star
ST410	Iota	Iota LEO	11 23.9	+10.5	4	1.3"	Leo	double star challenge
ST411	83	Σ1540	11 26.8	+03 00	6.2	29"	Leo	triple star
ST412	Tau	Tau LEO	11 27.9	+02.9	5.5	1.5'	Leo	double star
ST413	Lambda	Lambda DRA	11 31.4	+69.3	3.8	20'	Dra	red variable star
ST414	88	Σ1547	11 31.8	+14 21	6.4	16"	Leo	double star
ST415	N		11 32.3	-29 16	5.8	9"	Hyd	double star equal magnitude
ST416	Innes78	Innes 78	11 33.6	-40.6	6	1"	Cen	double star challenge
ST417	Σ1552	Σ1552	11 34.7	+16 48	6	3"	Leo	triple star
ST418	Nu	Nu VIR	11 45.9	+06.5	4	*	Vir	star
ST419	Denebola	Beta Leo	11 49.1	+14 34	2.1	Stellar	Leo	star
ST420	Beta	Beta HYA	11 52.9	-33.9	4.7	0.9"	Hya	colored double star
ST421	OΣ112	O.Struve 112	11 54.6	+19.4	8.4	73"	Leo	double star
ST422	65	Σ1579	11 55.1	+46 29	6.7	4"	Uma	double star
ST423	Epsilon	Epsilon CHA	11 59.6	-78.2	5.4	0.9"	Cha	colored double star
ST424	Σ1593		12 03.5	-02 26	8.7	1.3"	Vir	double star challenge
ST425	Zeta	Zeta COM	12 04.3	+21.5	6	3.6"	Com	double star
ST426	Delta	Delta CEN	12 08.4	-50.7	2.6	4.5'	Cen	double star
ST427	Σ1604		12 09.5	-11 51	6.6	10"	Crv	triple star
ST428	Epsilon	Epsilon CRV	12 10.1	-22.6	3	*	Crv	star
ST429	Rumker14	Rumker 14	12 14.0	-45.7	5.6	2.9"	Cen	double star
ST430	Delta	Delta CRU	12 15.1	-58.7	2.8	*	Cru	star
ST431	2	2 CVN	12 16.1	+40.7	6	11.5"	Cvn	colored double star
ST432	Epsilon	Epsilon MUS	12 17.6	-68	4.1	*	Mus	red variable star
ST433	Σ1627		12 18.1	-03 56	6.6	20"	Vir	double star equal magnitude
ST434	R	R CRV	12 19.6	-19.3	6.7	*	Crv	variable star
ST435	Σ1633		12 20.6	+27 03	6.3	9"	Com	double star equal magnitude
ST436	Epsilon	Epsilon CRU	12 21.4	-60.4	3.6	*	Cru	star
ST437	M40	Winnecke 4	12 22.4	+58 05	9	50"	UMa	double star
ST438	17	17 VIR	12 22.5	+05.3	6.5	21"	Vir	double star
ST439	Σ1639	Struve 1639	12 24.4	+25.6	6.8	1.6"	Com	double star challenge
ST440	S	S CEN	12 24.6	-49.4	9.2	*	Cen	variable star
ST441	SS		12 25.3	+00 48	6	Stellar	Vir	red variable star
ST442	AcruX	Alpha CRU	12 26.6	-63.1	1	4.4"	Cru	double star
ST443	3C273	3C 273	12 29.1	+02.0	12.8	*	Vir	asterism
ST444	Algorab	Delta CRV	12 29.9	-16.5	3	24"	Crv	double star
ST445	Gamma	Gamma CRU	12 31.2	-57.1	1.6	110"	Cru	double star
ST446	Σ1649	Struve 1649	12 31.6	-11.1	8	15"	Vir	double star
ST447	24		12 35.1	+18 23	5	20"	CVn	colored double star
ST448	Alpha	Alpha MUS	12 37.2	-69.1	2.7	*	Mus	star
ST449	ADS8612	ADS 8612	12 37.7	-27.1	5.5	1.3"	Hya	double star challenge
ST450	Σ1669		12 41.3	-13 01	5.3	5"	Crv	double star equal magnitude
ST451	Gamma	Gamma CEN	12 41.5	-49	2.2	1"	Cen	double star challenge
ST452	Porrima	Gamma VIR	12 41.7	-1.4	3.5	3"	Vir	double star
ST453	Y		12 45.1	+45 26	7.4	Stellar	CVn	red variable star
ST454	Iota	Iota CRU	12 45.6	-61	4.7	27"	Cru	double star
ST455	Beta	Beta MUS	12 46.3	-68.1	3.7	1.4"	Mus	double star challenge
ST456	Mimosa	Beta CRU	12 47.7	-59.7	1.3	*	Cru	star
ST457	32	Σ1694	12 49.2	+83 25	5.3	22"	Cam	double star equal magnitude
ST458	35	Σ1687	12 53.3	+21 14	5.1	29"	Com	double star magnitude contrast
ST459	Mu	Mu CRU	12 54.6	-57.2	4.3	35"	Cru	double star
ST460	Delta	Delta VIR	12 55.6	+03.4	3.4	*	Vir	red variable star
ST461	Cor Caroli	Alpha CVN	12 56.0	+38.3	3	19"	Cvn	double star
ST462	RY	RY DRA	12 56.4	+66.0	6.8	*	Dra	variable star
ST463	Σ1699		12 58.7	+27 28	8.8	1.5"	Com	double star challenge
ST464	Delta	Delta MUS	13 02.3	-71.5	3.6	8'	Mus	star

ST465	Theta	Theta MUS	13 08.1	-65.3	5.7	5.3"	Mus	double star
ST466	Theta	51 Vir, Σ1724	13 09.9	-05 32	4.4	7"	Vir	triple star challenge
ST467	Alpha		13 10.0	+17 32	5	0.5"	Com	double star challenge
ST468	54		13 13.4	-18 50	6.8	5"	Vir	double star
ST469	J	J CEN	13 22.6	-61	4.7	1'	Cen	double star
ST470	Zeta	Mizar	13 23.9	+54 56	2.3	14"	Uma	double star
ST471	Spica	Alpha VIR	13 25.2	-11.2	1	*	Vir	star
ST472	ΟΣΣ123		13 27.1	+64 43	6.7	69"	Dra	colored double star
ST473	R		13 29.7	-23 17	4	Stellar	Hyd	variable star
ST474	Σ1755	Struve 1755	13 32.3	+36.8	7	4.4"	Cvn	double star
ST475	S	S VIR	13 33.0	-7.2	6	*	Vir	variable star
ST476	25	25 CVN	13 37.5	+36.3	5	1.8"	Cvn	double star magnitude contrast
ST477	Σ1763	Struve 1763	13 37.6	-7.9	7.9	2.8"	Vir	double star
ST478	Epsilon	Epsilon CEN	13 39.9	-53.5	2.3	*	Cen	star
ST479	1	Σ1772	13 40.7	+19 57	5.7	5"	Boo	double star magnitude contrast
ST480	Dunlop141	Dunlop 141	13 41.7	-54.6	5.3	5.3"	Cen	double star
ST481	T	T CEN	13 41.8	-33.6	5.5	*	Cen	variable star
ST482	Alkaid	Eta UMA	13 47.5	+49.3	1.9	*	Uma	star
ST483	Σ1785	Struve 1785	13 49.1	+27.0	7.6	3.4"	Boo	double star
ST484	2	2 CEN	13 49.4	-34.5	4.2	*	Cen	star
ST485	Upsilon	Upsilon BOO	13 49.5	+15.8	4.1	*	Boo	star
ST486	3	3 CEN	13 51.8	-33	4.5	8"	Cen	double star
ST487	Zeta	Zeta CEN	13 55.5	-47.3	2.6	5°	Cen	star
ST488	Beta	Beta CEN	14 03.8	-60.4	0.6	*	Cen	star
ST489	Pi	Pi HYA	14 06.4	-26.7	3.3	*	Hya	star
ST490	Kappa	Kappa VIR	14 12.9	-10.3	4.2	*	Vir	star
ST491	Kappa		14 13.5	+51 47	4.4	13"	Boo	colored double star
ST492	Σ1819		14 15.3	+03 08	7.8	0.8"	Vir	double star challenge
ST493	Arcturus	Alpha Boo	14 15.7	+19 11	0	Stellar	Boo	star
ST494	Iota	Iota BOO	14 16.2	+51.4	4.9	39"	Boo	double star
ST495	R	R CEN	14 16.6	-59.9	5.3	*	Cen	variable star
ST496	Σ1834	Struve 1834	14 20.3	+48.5	8.1	1.3"	Boo	double star challenge
ST497	Σ1833		14 22.6	-07 46	7.6	6"	Vir	double star equal magnitude
ST498	Dunlop159	Dunlop 159	14 22.6	-58.5	5	9"	Cen	colored double star
ST499	Σ1835		14 23.4	+08 26	5.1	6"	Boo	double star
ST500	SHJ 179		14 25.5	-19 58	6.4	35"	Lib	double star
ST501	5	5 UMI	14 27.5	+75.7	4.3	*	Umi	star
ST502	Proxima	Proxima CEN	14 29.9	-62.7	10.7	*	Cen	variable star
ST503	Rho	Rho BOO	14 31.8	+30.4	3.6	*	Boo	star
ST504	h4690		14 37.3	-46 08	5.4	19"	Lup	double star magnitude contrast
ST505	Alpha	Rigil Kentaurus	14 39.6	-60 50	0	20"	Cen	double star
ST506	Pi	Pi BOO	14 40.7	+16.4	5	5.6"	Boo	double star
ST507	pi	Σ1864	14 40.7	+16 25	4.9	6"	Boo	double star
ST508	Zeta		14 41.1	+13 44	3.8	1"	Boo	double star challenge
ST509	Alpha	Alpha LUP	14 41.9	-47.4	2.3	*	Lup	star
ST510	q	q CEN	14 42.0	-37.8	4	*	Cen	star
ST511	Alpha	Alpha CIR	14 42.5	-65	3.2	16"	Cir	double star
ST512	c1	c1 CEN	14 43.7	-35.2	4	17'	Cen	star
ST513	Epsilon	Izar	14 45.0	+27 04	2.4	3"	Boo	colored double star
ST514	Dunlop	Dunlop 169	14 45.2	-55.6	6.2	68"	Cir	double star
ST515	54	H 97	14 46.0	-25 26	5.2	8"	Hya	double star
ST516	Alpha	Alpha APS	14 47.9	-79	3.8	10°	Aps	star
ST517	Σ1883		14 48.9	+05 57	7.6	0.7"	Vir	double star challenge
ST518	Mu		14 49.3	-14 09	5.4	2"	Lib	double star challenge
ST519	39		14 49.7	+48 43	5.7	3"	Boo	double star
ST520	58	58 HYA	14 50.3	-28	4.4	*	Hya	star
ST521	Kochab	Beta UMI	14 50.7	+74.2	2.1	*	Umi	star
ST522	Zubenelgenubi	Alpha LIB	14 50.9	-16	2.8	4'	Lib	double star
ST523	Xi	37 Boo	14 51.4	+19 06	4.6	7"	Boo	colored double star
ST524	h4715	h4715	14 56.5	-47.9	6	2.4"	Lup	double star
ST525	33	H 28	14 57.3	-21 22	5.9	23"	Lib	double star
ST526	Beta	Beta LUP	14 58.5	-43.1	2.6	*	Lup	star
ST527	Pi	Pi OCT	15 01.8	-83.2	5.7	18'	Oct	double star
ST528	44		15 03.8	+47 39	4.8	1.5"	Boo	double star challenge
ST529	Sigma	Sigma LIB	15 04.1	-25.3	3.2	*	Lib	red variable star
ST530	Dunlop178	Dunlop 178	15 11.6	-45.3	6.7	32"	Lup	double star
ST531	Kappa	Kappa LUP	15 11.9	-48.7	3.9	27"	Lup	double star
ST532	X	X TRA	15 14.3	-70.1	8.1	*	Tra	variable star
ST533	Σ1932		15 18.3	+26 50	6.6	1.5"	CrB	double star challenge
ST534	Mu	Mu LUP	15 18.5	-47.9	5.1	1.2"	Lup	double star challenge
ST535	Σ1931		15 18.7	+10 26	7	13"	Ser	double star
ST536	S	S CRB	15 21.4	+31.4	5.8	*	CrB	variable star
ST537	Phi1	Phi1 LUP	15 21.8	-36.3	3.6	50'	Lup	star
ST538	Eta		15 23.2	+30 17	5.6	1.0"	CrB	double star challenge
ST539	Mu		15 24.5	+37 23	4.3	2"	Boo	triple star

ST540	Edasich	Iota DRA	15 24.9	+59.0	3.3	*	Dra	star
ST541	Pi	Σ1972	15 29.2	+80 26	6.9	31"	Umi	double star
ST542	Lal123		15 33.1	-24 29	7.5	9"	Lib	double star equal magnitude
ST543	Delta	Delta SER	15 34.8	+10.5	4	3.9"	Ser	double star
ST544	Gamma	Gamma LUP	15 35.1	-41.2	2.8	*	Lup	star
ST545	h4788		15 35.9	-45	4.7	2.2"	Lup	double star
ST546	Upsilon	Upsilon LIB	15 37.0	-28.1	3.6	3"	Lib	colored double star
ST547	Omega	Omega LUP	15 38.1	-42.6	4.3	*	Lup	red variable star
ST548	Σ1962		15 38.7	-08 47	5.8	12"	Lib	double star equal magnitude
ST549	Tau	Tau LIB	15 38.7	-29.8	3.7	2°	Lib	star
ST550	Zeta	Zeta CRB	15 39.4	+36.6	5	6.3"	Crb	double star
ST551	Gamma	Gamma CRB	15 42.7	+26.3	4.2	0.3"	Crb	double star challenge
ST552	Alpha	Alpha SER	15 44.3	+06.4	2.7	*	Ser	star
ST553	R		15 48.6	+28 09	5.7	Stellar	CrB	variable star
ST554	Kappa	Kappa SER	15 48.7	+18.1	4.1	*	Ser	red variable star
ST555	R	R SER	15 50.7	+15.1	5.2	*	Ser	variable star
ST556	Xi		15 56.9	-33 58	5.2	10"	Lup	double star
ST557	Rho	Rho SCO	15 56.9	-29.2	3.9	*	SCO	star
ST558	Epsilon	Epsilon CRB	15 57.6	+26.9	4.2	*	Crb	star
ST559	Pi	Pi SCO	15 58.9	-26.1	2.9	*	SCO	star
ST560	T		15 59.5	+25 55	2	Stellar	CrB	variable star
ST561	Eta	Rmk 21	16 00.1	-38 24	3.6	15"	Lup	double star magnitude contrast
ST562	Delta	Delta SCO	16 00.3	-22.6	2.3	*	SCO	star
ST563	Xi		16 04.4	-11 22	4.2	1"	SCO	triple star challenge
ST564	Graffias	Beta SCO	16 05.4	-19.8	2.5	*	SCO	star
ST565	Omega1	Omega1 SCO	16 06.8	-20.7	4	14'	SCO	star
ST566	Kappa		16 08.1	+17 03	5	28"	Her	colored double star
ST567	Nu		16 12.0	-19 28	4	1"	SCO	quadruple star
ST568	Delta	Delta OPH	16 14.3	-3.7	2.7	*	Oph	star
ST569	Sigma	Σ2032, 17 CrB	16 14.7	+33 52	5.2	7"	CrB	double star
ST570	Delta	Delta APS	16 20.3	-78.7	4.7	*	Aps	double star
ST571	Sigma	H 121	16 21.2	-25 35	2.9	20"	SCO	double star magnitude contrast
ST572	Rho	Rho OPH	16 25.6	-23.5	5.3	3.1"	Oph	double star
ST573	V	V OPH	16 26.7	-12.4	7.3	*	Oph	variable star
ST574	Epsilon	Epsilon NOR	16 27.2	-47.6	4.8	23"	Nor	double star
ST575	Iota	Iota TRA	16 28.0	-64.1	5.3	20"	Tra	double star
ST576	Σ2052	Struve 2052	16 28.9	+18.4	7.7	1.7"	Her	double star
ST577	Antares	Alpha SCO	16 29.4	-26.4	1	3"	SCO	double star challenge
ST578	Lambda	Lambda OPH	16 30.9	+02.0	4.2	1.4"	Oph	double star challenge
ST579	R	R DRA	16 32.7	+66.8	6.7	*	Dra	variable star
ST580	16		16 36.2	+52 55	5.1	3"	Dra	triple star
ST581	H	H SCO	16 36.4	-35.3	4.2	*	SCO	star
ST582	Zeta	Zeta OPH	16 37.2	-10.6	2.6	*	Oph	star
ST583	SU	SU SCO	16 40.6	-32.4	8	*	SCO	variable star
ST584	Zeta	Zeta HER	16 41.3	+31.6	3	1.4"	Her	colored double star
ST585	Alpha	Alpha TRA	16 48.7	-69	1.9	*	Tra	star
ST586	Eta	Eta ARA	16 49.8	-59	3.8	*	Ara	star
ST587	Epsilon	Epsilon SCO	16 50.2	-34.3	2.3	*	SCO	star
ST588	Mu	Mu SCO	16 52.3	-38	3	*	SCO	star
ST589	20	20 DRA	16 56.4	+65.0	7.1	1.4"	Dra	double star challenge
ST590	RR	RR SCO	16 56.6	-30.6	5.1	*	SCO	variable star
ST591	Kappa	Kappa OPH	16 57.7	+09.4	3.2	75'	Oph	star
ST592	Zeta	Zeta ARA	16 58.6	-56	3.1	*	Ara	star
ST593	Epsilon1	Epsilon1 ARA	16 59.6	-53.2	4.1	40'	Ara	star
ST594	Mu		17 05.3	+54 28	4.9	2"	Dra	double star equal magnitude
ST595	Eta	Eta OPH	17 10.4	-15.7	2.4	0.6"	Oph	double star challenge
ST596	Rasalgethi	Alpha HER	17 14.6	+14.4	3	4.6"	Her	double star equal magnitude
ST597	Delta		17 15.0	+24 50	3.2	10"	Her	double star magnitude contrast
ST598	Pi	Pi HER	17 15.0	+36.8	3.2	7°	Her	star
ST599	36		17 15.3	-26 36	4.3	5"	Oph	double star equal magnitude
ST600	39		17 18.0	-24 17	5.2	10"	Oph	colored double star
ST601	Theta	Theta OPH	17 22.0	-25	3.3	*	Oph	star
ST602	Rho	Σ2161, 75 Her	17 23.7	+37 09	4.2	4"	Her	double star
ST603	Beta	Beta ARA	17 25.3	-55.5	2.9	*	Ara	star
ST604	Gamma	Gamma ARA	17 25.4	-56.4	3.3	*	Ara	star
ST605	Sigma	Sigma OPH	17 26.5	+04.1	4.3	4°	Oph	star
ST606	h4949	h4949	17 26.9	-45.9	6	2.2"	Ara	double star
ST607	Σ2173		17 30.4	-01 04	6	1.1"	Oph	double star challenge
ST608	Lambda	Lambda HER	17 30.7	+26.1	4.4	*	Her	star
ST609	Upsilon	Upsilon SCO	17 30.8	-37.3	2.7	*	SCO	star
ST610	Alpha	Alpha ARA	17 31.8	-49.9	3	*	Ara	star
ST611	Nu		17 32.2	+55 11	4.9	62"	Dra	double star equal magnitude
ST612	Shaula	Lambda SCO	17 33.6	-37.1	1.6	35'	SCO	star
ST613	Rasalhague	Alpha Oph	17 34.9	+12 34	2.1	*	Oph	star
ST614	Iota	Iota HER	17 39.5	+46.0	3.8	*	Her	star

ST615	Psi	Σ2241	17 41.9	+72 09	4.9	30"	Dra	double star
ST616	Kappa	Kappa SCO	17 42.5	-39	2.4	2.5°	Sco	star
ST617	V	V PAV	17 43.3	-57.7	5.7	*	Pav	variable star
ST618	Beta	Beta OPH	17 43.5	+04.6	2.8	*	Oph	star
ST619	61	Σ2202	17 44.6	+02 34	6.2	21"	Oph	double star equal magnitude
ST620	SZ	SZ SGR	17 45.0	-18.6	9	*	Sgr	variable star
ST621	SX	SX SCO	17 47.5	-35.7	8.5	*	Sco	variable star
ST622	G	G SCO	17 49.9	-37	3.2	2°	Sco	star
ST623	Y	Y OPH	17 52.6	-6.2	6	*	Oph	variable star
ST624	Xi	Xi DRA	17 53.5	+56.9	3.8	*	Dra	star
ST625	Gamma	Gamma DRA	17 56.6	+51.5	2.2	*	Dra	star
ST626	Barnards Star		17 57.8	+04 34	9.5	Stellar	Oph	star
ST627	h5003		17 59.1	-30 15	5	6"	Sgr	colored double star
ST628	Σ2038	Struve 2038	18 00.0	+80.0	5.7	20"	Dra	double star equal magnitude
ST629	95		18 01.5	+21 36	4.3	6"	Her	double star equal magnitude
ST630	Tau	Tau OPH	18 03.1	-8.2	5.2	1.8"	Oph	double star challenge
ST631	70	Σ2276	18 05.5	+02 30	4	1.5"	Oph	double star challenge
ST632	Theta	Theta ARA	18 06.6	-50.1	3.7	*	Ara	star
ST633	100	Σ2280	18 07.8	+26 06	5.9	14"	Her	double star equal magnitude
ST634	W	W LYR	18 14.9	+36.7	7.3	*	Lyr	variable star
ST635	Eta	Eta SGR	18 17.6	-36.8	3.1	*	Sgr	star
ST636	Kappa	Kappa LYR	18 19.9	+36.1	4.3	*	Lyr	star
ST637	Delta	Delta SGR	18 21.0	-29.8	2.7	*	Sgr	star
ST638	Σ2306		18 22.2	-15 05	7.9	10"	Sct	double star
ST639	Xi	Xi PAV	18 23.2	-61.5	4.4	*	Pav	star
ST640	39	Σ2323	18 24.0	+58 48	4.9	4"	Dra	triple star
ST641	21	21 SGR	18 25.3	-20.5	4.9	1.8"	Sgr	double star challenge
ST642	Alpha	Alpha TEL	18 27.0	-46	3.5	6'	Tel	star
ST643	59		18 27.2	+00 12	5.2	4"	Ser	colored double star
ST644	Lambda	Lambda SGR	18 28.0	-25.4	2.8	*	Sgr	star
ST645	SS	SS SGR	18 30.4	-16.9	9	*	Sgr	variable star
ST646	Delta	Delta TEL	18 31.8	-45.9	5	11'	Tel	double star
ST647	T	T LYR	18 32.3	+37.0	7.8	*	Lyr	red variable star
ST648	Kappa	Δ222	18 33.4	-38 44	5.9	21"	CrA	double star equal magnitude
ST649	Σ2348		18 33.9	+52 18	6	26"	Dra	double star
ST650	Alpha	Alpha SCT	18 35.2	-8.2	3.9	*	Sct	star
ST651	OΣ359		18 35.5	+23 36	6.3	0.7"	Her	double star challenge
ST652	OΣ358	ADS 11483	18 35.9	+17.0	6.8	1.6"	Her	double star challenge
ST653	Vega	Alpha Lyr	18 36.9	+38 47	0	Stellar	Lyr	star
ST654	X	X OPH	18 38.3	+08.8	5.9	*	Oph	variable star
ST655	HK	HK LYR	18 42.8	+37.0	9.5	*	Lyr	variable star
ST656	Σ2398	Struve 2398	18 43.0	+59.6	8	13"	Dra	double star
ST657	Epsilon	Double-Double,		18 44.3	+39 40	4.7	2"	Lyr quadruple star
ST658	Zeta		18 44.8	+37 36	4.4	44"	Lyr	double star
ST659	Σ2375		18 45.5	+05 30	6.2	2"	Ser	double star equal magnitude
ST660	5	Σ2379	18 46.5	-00 58	5.8	13"	Aql	triple star
ST661	R		18 47.5	-05 42	4.5	Stellar	Sct	variable star
ST662	Beta		18 50.0	+33 24	3.5	47"	Lyr	double star magnitude contrast
ST663	S	S SCT	18 50.3	-7.9	6.8	14.3"	Sct	double star
ST664	Σ2404		18 50.8	+10 59	6.9	4"	Aql	double star
ST665	Omicron	Σ2420	18 51.2	+59 22	4.9	35"	Dra	double star
ST666	Delta2	Delta2 LYR	18 54.5	+36.9	4.5	*	Cyg	star
ST667	OΣ525		18 54.9	+33 58	6	45"	Lyr	colored double star
ST668	Sigma	Sigma SGR	18 55.3	-26.3	2	*	Sgr	star
ST669	13	13 LYR	18 55.3	+43.9	3.9	4..	Lyr	star
ST670	Theta	Σ2417, 63 Ser	18 56.3	+04 11	4.1	22"	Ser	double star
ST671	ADS11871	ADS 11871	18 57.0	+32.9	5.4	1"	Lyr	double star challenge
ST672	Σ2422	Struve 2422	18 57.1	+26.1	8	0.7"	Lyr	double star challenge
ST673	UV	UV AQL	18 58.6	+14.4	8.6	*	Aql	variable star
ST674	Σ2426		19 00.0	+12 53	7.1	17"	Aql	colored double star
ST675	BrsO14		19 01.1	-37 03	6.6	13"	CrA	double star equal magnitude
ST676	h5082		19 03.1	-19 14	6	7"	Sgr	triple star
ST677	V		19 04.4	-05 41	6.6	Stellar	Aql	red variable star
ST678	15		19 05.0	-04 02	5.4	38"	Aql	colored double star
ST679	Gamma		19 06.4	-37 00	5	3"	Aql	double star equal magnitude
ST680	R		19 06.4	+08 14	5.5	Stellar	Aql	red variable star
ST681	Σ2449		19 06.4	+07 09	7.2	8"	Aql	double star
ST682	Σ2474		19 09.1	+34 35	6.5	16"	Lyr	double star
ST683	Σ2486		19 12.1	+49 51	6.6	8"	Cyg	double star equal magnitude
ST684	OΣ178	O.Struve 178	19 15.3	+15.1	5.7	90"	Aql	double star
ST685	Tau	Tau DRA	19 15.5	+73.4	4.5	*	Dra	star
ST686	RY	RY SGR	19 16.5	-33.5	6	*	Sgr	variable star
ST687	U		19 18.8	+19 37	6.6	Stellar	Sge	variable star
ST688	V1942	V1942 SGR	19 19.2	-15.9	6.4	*	Sgr	variable star
ST689	UX		19 21.6	+76 34	5.9	Stellar	Dra	red variable star



ST690	RR		19 25.5	+42.47	7.1	Stellar	Lyr	variable star
ST691	Σ2525	Struve 2525	19 26.6	+27.3	8.1	2"	Vul	double star
ST692	h5114	h5114	19 27.8	-54.3	5.7	70"	Tel	double star
ST693	Alpha	Alpha VUL	19 28.7	+24.7	4.4	*	Vul	star
ST694	Albireo	Beta CYG	19 30.7	+28.0	3	35"	Cyg	colored double star
ST695	Mu	Mu AQL	19 34.1	+07.4	4.5	*	Aql	star
ST696	AQ	AQ SGR	19 34.3	-16.4	9.1	*	Sgr	variable star
ST697	R	R CYG	19 36.8	+50.2	6.1	*	Cyg	variable star
ST698	HN84		19 39.4	+16.34	6.4	28"	Sge	colored double star
ST699	54	54 SGR	19 40.7	-16.3	5.4	38"	Sgr	double star
ST700	TT	TT CYG	19 40.9	+32.6	7.8	*	Cyg	variable star
ST701	16		19 41.8	+50.32	6	39"	Cyg	double star equal magnitude
ST702	Delta	Σ2579, 18 Cyg	19 45.0	+45.08	2.9	2"	Cyg	double star magnitude contrast
ST703	ΟΣΣ191	H V 137	19 45.9	+35.01	6	39"	Cyg	colored double star
ST704	Gamma	Gamma AQL	19 46.3	+10.6	2.7	*	Aql	star
ST705	17	Σ2580	19 46.4	+33.44	5	26"	Cyg	double star magnitude contrast
ST706	Delta	Delta SGE	19 47.4	+18.5	3.8	*	Sge	star
ST707	Epsilon		19 48.2	+70.16	3.8	3"	Dra	double star magnitude contrast
ST708	Pi	Pi AQL	19 48.7	+11.8	6.1	1.4"	Aql	double star challenge
ST709	Zeta		19 49.0	+19.09	5	9"	Sge	double star
ST710	Chi		19 50.6	+32.55	3.3	Stellar	Cyg	variable star
ST711	Altair	Alpha Aql	19 50.8	+08.52	0.8	*	Aql	star
ST712	Eta	Eta AQL	19 52.5	+01.0	3.4	*	Aql	variable star
ST713	57		19 54.6	-08.14	5.7	36"	Aql	double star
ST714	Beta	Beta AQL	19 55.3	+06.4	3.7	13"	Aql	double star
ST715	Psi		19 55.6	+52.26	4.9	3"	Cyg	double star magnitude contrast
ST716	RR	RR SGR	19 55.9	-29.2	5.4	*	Sgr	variable star
ST717	RU	RU SGR	19 58.7	-41.9	6	*	Sgr	variable star
ST718	Gamma	Gamma SGE	19 58.8	+19.5	3.5	*	Sge	star
ST719	BF	BF SGE	20 02.4	+21.1	8.5	*	Sge	variable star
ST720	h1470		20 03.6	+38.19	7.6	29"	Cyg	colored double star
ST721	X	X SGE	20 05.1	+20.7	7	*	Sge	variable star
ST722	WZ	WZ SGE	20 07.6	+17.7	7	*	Sge	variable star
ST723	Kappa	Σ2675	20 08.9	+77.43	4.4	7"	Cep	double star magnitude contrast
ST724	Theta	Σ2637	20 09.9	+20.55	6.4	12"	Sge	triple star
ST725	RY	RY CYG	20 10.4	+36.0	8.5	*	Cyg	variable star
ST726	FG	FG SGE	20 11.9	+20.3	9.5	*	Sge	planetary nebula irregular
ST727	Σ2644		20 12.6	+00.52	6.8	3"	Aql	double star equal magnitude
ST728	RS	RS CYG	20 13.4	+38.7	6.5	*	Cyg	variable star
ST729	Σ2658		20 13.6	+53.07	7.1	5"	Cyg	double star
ST730	Omicron1	Omicron1 CYG	20 13.6	+46.7	3.8	*	Cyg	star
ST731	RT	RT CAP	20 17.1	-21.3	8.9	*	Cap	variable star
ST732	Alpha	Alpha CAP	20 17.6	-12.5	4.2	44"	Cap	star
ST733	RT	RT SGR	20 17.7	-39.1	6	*	Sgr	variable star
ST734	P		20 17.8	+38.02	3	Stellar	Cyg	variable star
ST735	Alpha		20 18.0	-12.32	3.8	7"	Cap	quadruple star
ST736	Σ2671		20 18.4	+55.23	6	4"	Cyg	double star
ST737	U	U CYG	20 19.6	+47.9	5.9	*	Cyg	variable star
ST738	Beta	Beta CAP	20 21.0	-14.8	3.4	3'	Cap	double star
ST739	39	39 CYG	20 23.9	+32.2	4.4	*	Cyg	star
ST740	Peacock	Alpha PAV	20 25.6	-56.7	1.9	*	Pav	star
ST741	pi		20 27.3	-18.13	5.3	3"	Cap	double star magnitude contrast
ST742	Omicron	SHJ 324	20 29.9	-18.35	6.1	19"	Cap	double star
ST743	49	Σ2716	20 41.0	+32.18	5.5	3"	Cyg	double star magnitude contrast
ST744	V	V CYG	20 41.3	+48.2	7.7	*	Cyg	variable star
ST745	Deneb	Alpha Cyg	20 41.4	+45.17	1.3	*	Cyg	star
ST746	52	52 CYG	20 45.7	+30.7	4.2	6"	Cyg	double star
ST747	Gamma		20 46.7	+16.07	4.3	10"	Del	double star
ST748	Lambda	Lambda CYG	20 47.4	+36.5	4.9	0.9"	Cyg	double star challenge
ST749	3	3 AQR	20 47.7	-5	4.4	*	Aqr	red variable star
ST750	S763		20 48.4	-18.11	6.7	16"	Cap	double star
ST751	4	4 AQR	20 51.4	-5.6	6.4	0.8"	Aqr	double star challenge
ST752	Omega	Omega CAP	20 51.8	-26.9	4.1	*	Cap	star
ST753	Epsilon	1 Equ	20 59.1	+04.18	5.2	1"	Equ	triple star challenge
ST754	Σ2751	Struve 2751	21 02.1	+56.7	6.1	1.5"	Cep	double star challenge
ST755	2	Σ2742	21 02.2	+07.11	7.4	3"	Equ	double star equal magnitude
ST756	Dunlop236	Dunlop 236	21 02.2	-43	6	57"	Mic	double star
ST757	Lambda	Lambda EQU	21 02.2	+07.2	7.4	3"	Equ	double star
ST758	12		21 04.1	-05.49	5.9	3"	Aqr	double star challenge
ST759	Xi	Xi CYG	21 04.9	+43.9	3.7	*	Cyg	star
ST760	61	Σ2758	21 06.9	+38.39	5.2	29"	Cyg	double star
ST761	24	24 CAP	21 07.1	-25	4.5	*	Cap	stellar planetary nebula
ST762	T	T CEP	21 09.5	+68.5	5.2	*	Cep	variable star
ST763	Gamma	Gamma EQU	21 10.3	+10.1	4.7	6'	Equ	double star
ST764	Σ2780	Struve 2780	21 11.8	+60.0	5.6	1.0"	Cep	double star challenge

ST765	Delta		21 14.5	+10 00	4.6	48"	Equ	double star magnitude contrast
ST766	Theta	Theta IND	21 19.9	-53.5	4.5	6"	Ind	double star
ST767	RY	RY AQR	21 20.3	-10.8	8	*	Aqr	variable star
ST768	Y	Y PAV	21 24.3	-69.7	8.6	*	Pav	variable star
ST769	Beta		21 28.7	+70 33	3.3	13"	Cep	double star magnitude contrast
ST770	S		21 35.2	+78 37	7.4	Stellar	Cep	red variable star
ST771	Σ2816		21 39.0	+57 29	5.6	12"	Cep	triple star
ST772	V460	V460 CYG	21 42.0	+35.5	5.6	*	Cyg	variable star
ST773	SS		21 42.7	+43 35	8.2	Stellar	Cyg	variable star
ST774	RV	RV CYG	21 43.3	+38.0	7.1	*	Cyg	variable star
ST775	Mu	Herschel's Garnet Star	21 43.5	+58 47	3.4	Stellar	Cep	red variable star
ST776	Epsilon		21 44.2	+09 52	2.5	83"	Peg	double star magnitude contrast
ST777	Lambda	Lambda OCT	21 50.9	-82.7	5.4	3"	Oct	double star
ST778	AG	AG PEG	21 51.0	+12.6	6	*	Peg	variable star
ST779	Σ2840		21 52.0	+55 47	5.5	18"	Cep	double star
ST780	Σ2841	Struve 2841	21 54.3	+19.7	6.4	22"	Peg	double star
ST781	RX	RX PEG	21 56.4	+22.9	8	*	Peg	variable star
ST782	Σ2873		21 58.4	+82 51	7.1	14"	Cep	double star equal magnitude
ST783	Eta	β 276	22 00.8	-28 27	5.8	1.9"	Psa	double star
ST784	29	S 802	22 02.5	-16 58	7.2	4"	Aqr	double star equal magnitude
ST785	Xi							
17 Cep,	Σ2863	22 03.8	+64 38	4.3	8"	Cep	double star	
ST786	ΟΣ461	O.Struve 461	22 03.9	+59.8	6.7	11.1"	Cep	double star
ST787	Lambda	Lambda GRU	22 06.1	-39.5	4.5	*	Gru	star
ST788	Al Nair	Alpha Gru	22 08.2	-46 58	1.7	Stellar	Gru	star
ST789	Σ2883		22 10.7	+70 07	5.7	15"	Cep	double star
ST790	Zeta	Zeta CEP	22 10.9	+58.2	3.4	*	Cep	star
ST791	h1746	h1746	22 13.9	+39.7	4.5	28"	Lac	double star
ST792	41		22 14.3	-21 04	5.3	5"	Aqr	colored double star
ST793	1	1 LAC	22 16.0	+37.7	4.1	*	Lac	star
ST794	Alpha	Alpha TUC	22 18.5	-60.3	2.9	5'	Tuc	star
ST795	Σ2894		22 18.9	+37 46	6.1	16"	Lac	colored double star
ST796	Pi	Pi GRU	22 23.1	-45.9	5.8	2.7"	Gru	double star
ST797	S	S GRU	22 26.1	-48.4	6	*	Gru	variable star
ST798	53		22 26.6	-16 45	6.4	3"	Aqr	double star equal magnitude
ST799	Delta	Delta TUC	22 27.3	-65	4.5	7"	Tuc	double star
ST800	Kruger60	Kruger 60	22 28.1	+57.7	9.8	3"	Cep	double star
ST801	Zeta		22 28.8	-00 01	4.3	2"	Aqr	double star challenge
ST802	Delta		22 29.2	+58 25	3.8	20"	Cep	colored double star
ST803	5	5 LAC	22 29.5	+47.7	4.4	5'	Lac	star
ST804	Delta2	Delta2 GRU	22 29.8	-43.7	4.1	15'	Gru	red variable star
ST805	37	37 PEG	22 30.0	+04.4	5.8	1"	Peg	double star challenge
ST806	Roe47		22 32.5	+39 46	5.8	43"	Lac	quadruple star
ST807	8		22 35.9	+39 38	6.5	22"	Lac	triple star
ST808	11	11 LAC	22 40.5	+44.3	4.5	*	Lac	star
ST809	Beta	Beta GRU	22 42.7	-46.9	2.1	*	Gru	star
ST810	Tau1	Tau1 AQR	22 47.7	-14.1	5.7	23"	Aqr	double star
ST811	Σ2947	Struve 2947	22 49.0	+68.6	7	4.3"	Cep	double star
ST812	Tau2	Tau2 AQR	22 49.6	-13.6	4	40'	Aqr	star
ST813	Σ2950	Struve 2950	22 51.4	+61.7	6.1	1.7"	Cep	double star
ST814	h1823		22 51.8	+41 19	7.1	82"	Lac	quadruple star
ST815	Lambda	Lambda AQR	22 52.6	-7.6	3.7	*	Aqr	star
ST816	Fomalhaut	Alpha PsA	22 57.6	-29 37	1.2	*	PsA	star
ST817	52	52 PEG	22 59.2	+11.7	6.1	0.7"	Peg	double star challenge
ST818	Scheat	Beta PEG	23 03.8	+28.1	2.4	*	Peg	star
ST819	Dunlop246	Dunlop 246	23 07.2	-50.7	6.1	9"	Gru	double star
ST820	Σ2978		23 07.5	+32 49	6.3	8"	Peg	double star
ST821	Pi	Pi CEP	23 07.9	+75.4	4.6	1.2"	Cep	double star challenge
ST822	Phi	Phi AQR	23 14.3	-6	4.2	*	Aqr	red variable star
ST823	Psi3	Psi3 AQR	23 19.0	-9.6	5	1.5"	Aqr	double star
ST824	94		23 19.1	-13 28	5.1	13"	Aqr	colored double star
ST825	Dunlop249	Dunlop 249	23 23.9	-53.8	6.5	27"	Gru	double star
ST826	99	99 AQR	23 26.0	-20.6	4.4	*	Aqr	star
ST827	Z		23 33.7	+48 49	8	Stellar	And	variable star
ST828	Gamma	Gamma CEP	23 39.3	+77.6	3.2	*	Cep	star
ST829	Theta	Theta PHE	23 39.5	-46.6	6.6	4"	Phe	double star
ST830	R		23 43.8	-15 17	5.8	Stellar	Aqr	variable star
ST831	107		23 46.0	-18 41	5.3	7"	Aqr	double star equal magnitude
ST832	TX	19 Psc	23 46.4	+03 29	6.9	Stellar	Psc	red variable star
ST833	Σ3042		23 51.8	+37 53	7.8	5"	And	double star equal magnitude
ST834	Lal192		23 54.4	-27 03	6.9	7"	Scl	double star
ST835	R		23 58.4	+51 24	4.7	Stellar	Cas	variable star
ST836	Sigma		23 59.0	+55 45	4.9	3"	Cas	colored double star
ST837	Σ3050		23 59.5	+33 43	6.6	1.5"	And	double star challenge

# NOTES



# WARRANTY / REPAIR

WARRANTY / REPAIR

## TELESCOPE LIFETIME LIMITED WARRANTY

Your Bushnell® telescope is warranted to be free of defects in materials and workmanship for the lifetime of the original owner. The Lifetime Limited Warranty is an expression of our confidence in the materials and mechanical workmanship of our products and is your assurance of a lifetime of dependable service.

If your telescope contains electrical components, these components are warranted to be free of defects in materials and workmanship for two years after the date of purchase.

In the event of a defect under this warranty, we will, at our option, repair or replace the product, provided that you return the product postage prepaid. This warranty does not cover damages caused by misuse, improper handling, installation, or maintenance provided by someone other than a Bushnell Authorized Service Department.

Any return made under this warranty must be accompanied by the items listed below:

- 1) A check/money order in the amount of \$15.00 to cover the cost of return postage and handling
- 2) Name and address for product return
- 3) An explanation of the defect
- 4) Proof of Date Purchased
- 5) Product should be well packed in a sturdy outside shipping carton, to prevent damage in transit, with return postage prepaid to the address listed below:

IN U.S.A. Send To:

Bushnell Outdoor Products  
Attn.: Repairs  
8500 Marshall Drive  
Lenexa, Kansas 66214

IN CANADA Send To:

Bushnell Outdoor Products  
Attn.: Repairs  
25A East Pearce Street, Unit 1  
Richmond Hill, Ontario L4B 2M9

For products purchased outside the United States or Canada please contact your local dealer for applicable warranty information. In Europe you may also contact Bushnell at:

BUSHNELL Performance Optics GmbH  
European Service Centre  
MORSESTRASSE 4  
D- 50769 KÖLN  
GERMANY  
Tél: +49 (0) 221 709 939 3  
Fax: +49 (0) 221 709 939 8

This warranty gives you specific legal rights.  
You may have other rights which vary from country to country.

©2007 Bushnell Outdoor Products

### FCC Compliance Statement

This product complies with Part 15 of the FCC interference limits for Class B digital devices FOR HOME OR OFFICE USE. These limits are designed to provide reasonable protection against harmful interference in a residential installation, and are more stringent than "outdoor" requirements.

Operation of this device is subject to the following conditions; (1) This device may not cause harmful interference, and (2) this device must accept any interference received, including interference that may cause undesired operation.

This equipment generates, uses and can radiate radio frequency energy and, if not installed and used in accordance with the instructions, may cause harmful interference to radio communications. However, there is no guarantee that interference will not occur in a particular installation. If this equipment does cause harmful interference to radio or television reception, which can be determined by turning the equipment off and on, the user is encouraged to try to correct the interference by one or more of the following measures:

- Reorient or relocate the receiving antenna.
- Increase the separation between the equipment and receiver.
- Connect the equipment into an outlet on a circuit different from that to which the receiver is connected.
- Consult the dealer or an experienced radio/TV technician for help.

The product does not contain any user-serviceable parts. Repairs should only be made by an Authorized Bushnell repair center. Unauthorized repairs or modifications could result in permanent damage to the equipment, and will void your warranty and your authority to operate this device under Part 15 regulations.

The shielded interface cable which is provided must be used with the equipment in order to comply with the limits for a digital device pursuant to Subpart B of Part 15 of FCC Rules.

Specifications and designs are subject to change without any notice or obligation on the part of the manufacturer.



# FRANÇAIS

Merci d'avoir acheté le télescope Discoverer avec sortie Real Voice de Bushnell ! Ceci est l'un des premiers télescopes jamais créés capable de vous parler pour vous enseigner le ciel nocturne. Cette fonction peut être considérée comme votre assistant personnel en astronomie.

Après avoir lu ce manuel et vous être préparé à votre séance d'observation comme il est décrit dans ces pages, vous pouvez commencer à profiter de la fonction de sortie Real Voice en procédant comme suit :

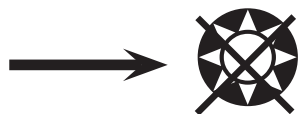
Pour activer le télescope, il suffit de le mettre en marche! La fonction de sortie Real Voice est intégrée à la télécommande.

Au cours du processus d'alignement, la voix du télescope fournit divers commentaires utiles. Une fois le télescope aligné, la fonction de sortie Real Voice montre tous ses talents chaque fois que vous appuyez sur la touche d'entrée, lorsqu'un nombre ou le nom d'un objet apparaît à la partie inférieure droite de l'écran de visualisation à cristaux liquides. La voix vous décrit l'objet à mesure que vous suivez le texte déroulant sur l'écran.

Si, à un moment quel qu'il soit, vous voulez supprimer la voix, vous pouvez le faire en appuyant sur le bouton "Back" (retour arrière) du clavier de la télécommande.

Nous espérons sincèrement que ce télescope vous divertira pendant les années à venir!

# DISCOVERER



**NE REGARDEZ JAMAIS DIRECTEMENT LE  
SOLEIL À TRAVERS LE TÉLESCOPE.**



**RISQUE DE LÉSIONS OCULAIRES  
PERMANENTES.**

## PAR QUOI COMMENCER?

Votre télescope de Bushnell peut révéler à vos yeux les merveilles de l'univers. Bien que ce manuel soit conçu pour vous aider à installer et à utiliser cet instrument simplement, il ne couvre pas tout ce que vous aimeriez savoir sur l'astronomie. Même si Discoverer donne une bonne vue d'ensemble du ciel nocturne, il est recommandé de se procurer une carte très simple des étoiles et une lampe de poche avec une ampoule rouge ou recouverte de cellophane rouge à l'extrémité. Pour les objets autres que les étoiles et constellations, il est nécessaire d'avoir un guide de base d'astronomie. Vous trouverez les sources recommandées sur notre site Internet à: [www.bushnell.com](http://www.bushnell.com). Vous y trouverez également les événements du ciel actuels et les suggestions d'observation. Mais, parmi les éléments principaux que vous pouvez voir, il y a :

**La Lune**—une vue magnifique de notre voisine s'obtient à n'importe quel grossissement. Essayez d'observer ses différentes phases. Les montagnes lunaires, les mers lunaires (étendues basses ainsi appelées à cause de leur couleur sombre), les cratères, les crêtes vous étonneront.

**Saturne**—même au grossissement le plus faible, vous devriez pouvoir voir ses anneaux et ses lunes. C'est l'un des objets les plus intéressants du ciel à observer car il ressemble vraiment à sa représentation sur les images. Imaginez que vous pouvez voir depuis votre jardin ce que vous avez vu dans des livres ou sur des images de la NASA !

**Jupiter**—la planète la plus grosse de notre système solaire est spectaculaire. Ses traits caractéristiques sont ses rayures ou bandes sombres au-dessus et au-dessous de son équateur. Ce sont les ceintures équatoriales du nord et du sud. Les quatre lunes principales de Jupiter sont aussi intéressantes. Remarquez leurs différentes positions une nuit après l'autre. Elles semblent alignées de chaque côté de Jupiter.

**Mars**—La grande planète rouge apparaît comme un disque rouge orangé. Observez-la à différents moments de l'année pour essayer d'apercevoir les chapeaux de glace polaire blancs.

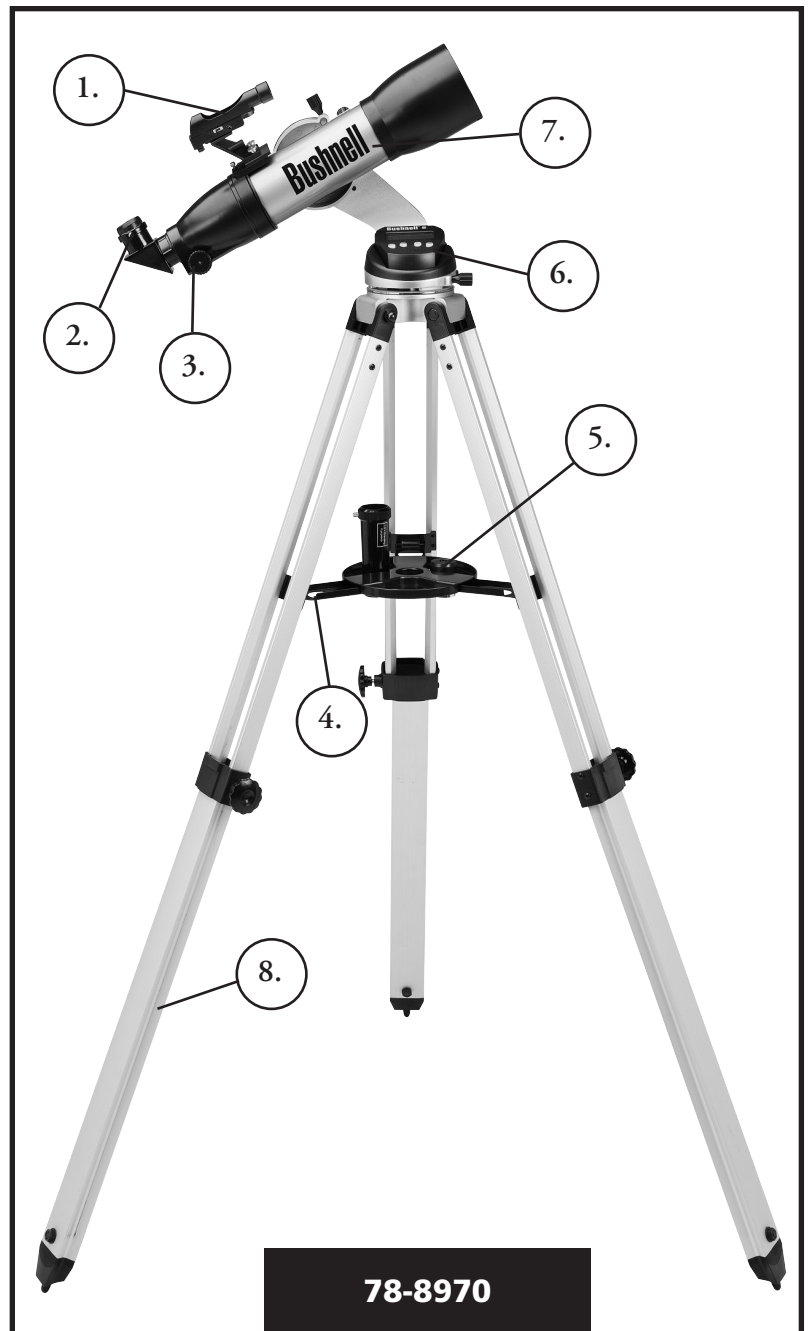
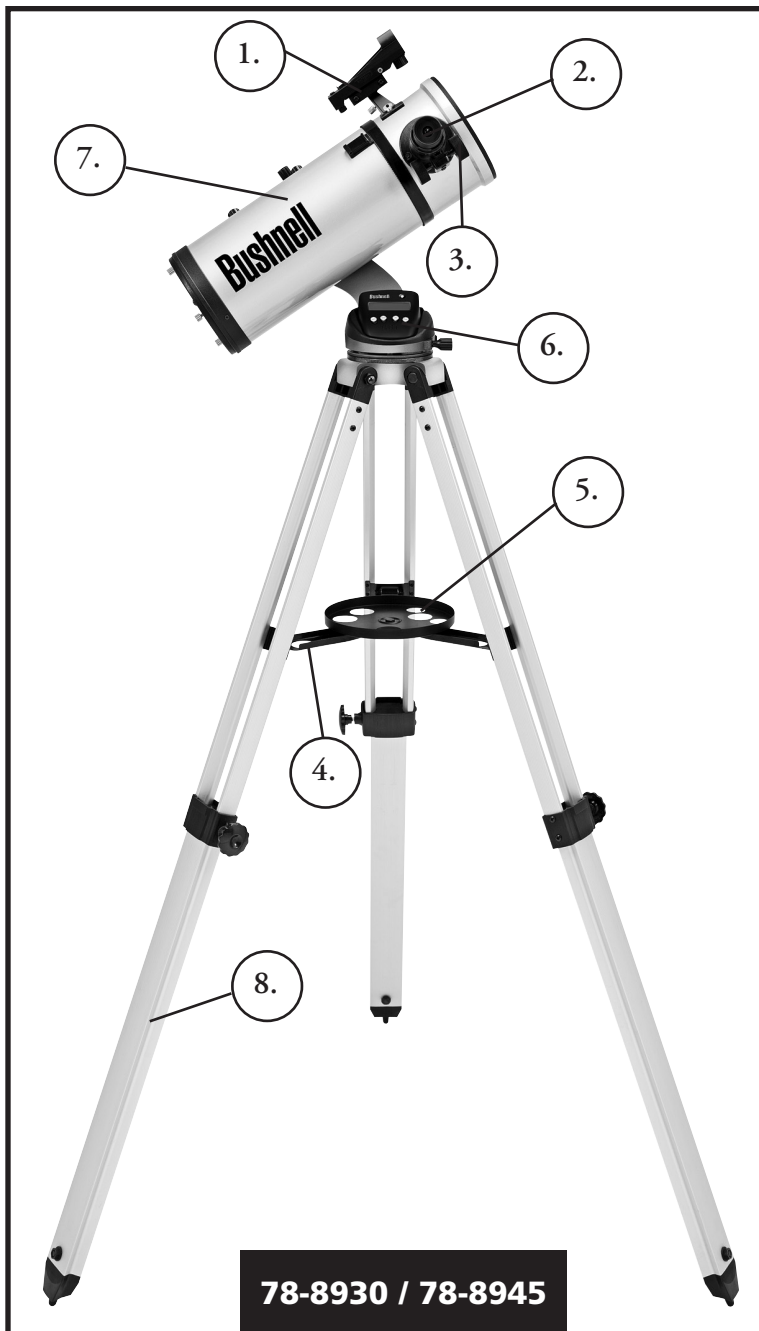
**Vénus**—tout comme la Lune, Vénus change de phases d'un mois à l'autre. Par moments, elle est très brillante dans le ciel nocturne, comme si l'on regardait une lune en croissant distante.

**Nébuleuses**—La grande nébuleuse d'Orion est un objet très connu du ciel nocturne. Vous pourrez voir celle-ci et bien d'autres grâce à ce télescope.

**Amas d'étoiles**—Regardez des millions d'étoiles groupées de manière dense en un amas qui ressemble à une boule.

**Galaxies**—L'une des galaxies les plus grandes et les plus intéressantes est notre voisine la galaxie d'Andromède. Vous l'aimerez ainsi que bien d'autres.

## SCHÉMA DES PIÈCES

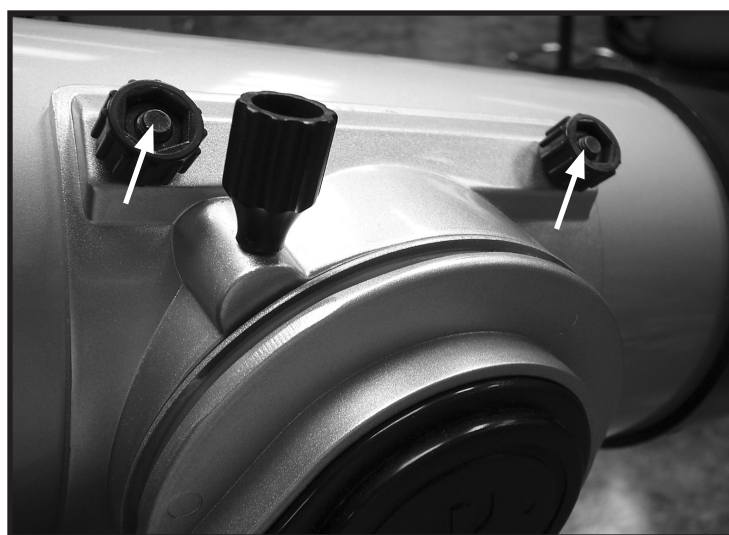
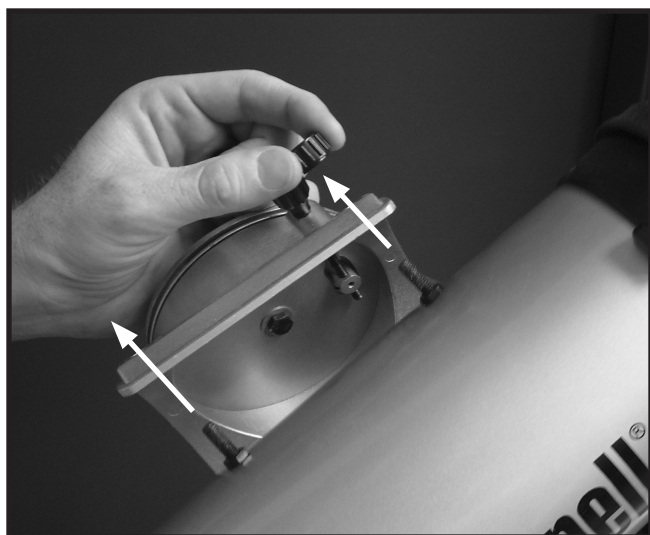


### Schéma des pièces du télescope

- |   |  |
|---|--|
| 1. Chercheur à point rouge                            | 5. Plateau d'accessoire à ouverture rapide |
| 2. Oculaire format 31,75 mm (1,25 po)                 | 6. Contrôleur d'ordinateur à distance      |
| 3. Mécanisme de mise au point à crémaillère et pignon | 7. Tube principal du télescope             |
| 4. Renfort de plateau d'accessoire                    | 8. Trépied en aluminium réglable,          |

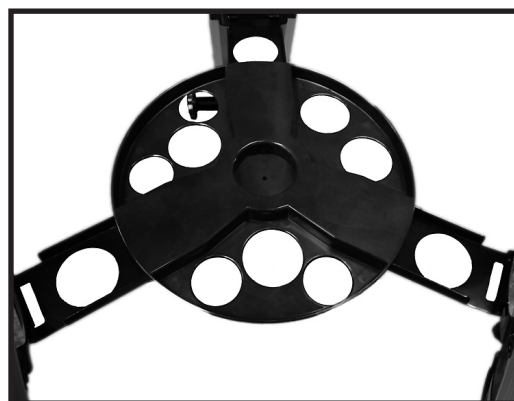
## GUIDE D'ASSEMBLAGE RAPIDE

78-8970 / 78-8930 / 78-8945



Enfoncez les boulons de fixation du tube de télescope à travers les trous du support de tube (enlevez d'abord les écrous à main), puis posez et serrez les écrous pour maintenir le tube solidement en place.

78-8970 / 78-8930 / 78-8945



Appuyez légèrement le plateau à accessoires à fixation rapide sur l'embase au centre du support de plateau.

### LISTE DES PIÈCES

- Ensemble de trépied en aluminium réglable  
(Préassemblé à la base du dispositif de repérage d'étoiles informatisé Discoverer)
- Plateau d'accessoire à ouverture rapide
- Télescope Discoverer avec écrous à oreilles de fixation
- Oculaires (2)
- Chercheur à point rouge
- Lentille Barlow (Réflecteur)
- Miroir diagonal (788970 réfracteur)

## ASSEMBLAGE DÉTAILLÉ

Aucun outil n'est nécessaire pour l'assemblage du télescope.

Sortez toutes les pièces du carton et identifiez-les. Avant de faire l'assemblage, il est conseillé de poser toutes les pièces devant soi. Le télescope étant un système optique de précision, veuillez manipuler les pièces avec précaution : en particulier l'ordinateur intégré, le télescope, les oculaires et les diverses lentilles accessoires.

### MISE EN PLACE DU TRÉPIED ET DU PLATEAU D'ACCESSOIRE

1. Mettez debout l'ensemble du dispositif de repérage d'étoiles informatisé Discoverer et les pieds de trépied attachés. Écartez les pieds de trépied à une distance confortable.
2. Abaissez les renforts du plateau d'accessoire et placez le plateau d'accessoire à ouverture rapide au-dessus des renforts. (Reportez-vous au schéma d'assemblage rapide).
3. Tournez le plateau d'accessoire jusqu'à ce qu'il s'enclenche avec un déclic.
4. Réglez la hauteur du trépied en actionnant le levier des pieds et en écartant les pieds pour obtenir la hauteur souhaitée.

### FIXATION DU TUBE DU TÉLESCOPE

1. Trouvez le tube principal du télescope.
2. Retirez les écrous à oreilles du tube du télescope situés sur le côté du tube.
3. Faites passer les boulons de fixation du tube principal du télescope à travers le support du tube du télescope, en haut de l'ensemble du dispositif de repérage d'étoiles informatisé Discoverer (Le logo situé sur le tube du télescope doit être à l'endroit).
4. Une fois que le tube principal du télescope et l'ensemble du dispositif de repérage d'étoiles informatisé Discoverer sont assemblés l'un à l'autre, fixez les écrous à oreilles aux boulons de fixation du tube principal du télescope.

### FIXATION DU RESTE DES ACCESSOIRES DU TÉLESCOPE

1. Trouvez le chercheur à point rouge.

REMARQUE: La grande extrémité du chercheur doit être en face de l'extrémité ouverte du tube du télescope.

2. Fixez l'oculaire à faible grossissement.
3. Vissez toutes les vis de serrage pour fixer les accessoires.

### CHOIX D'UN OCULAIRE

Il est recommandé de toujours commencer l'observation avec l'oculaire au grossissement le plus faible, dans ce cas, la lentille de 20 mm. Remarque: le grossissement de base de chaque oculaire est déterminé par la longueur focale de l'objectif du télescope. Il existe une formule servant à déterminer le grossissement de chaque oculaire: Longueur focale de l'OBJECTIF du télescope divisée par la longueur focale de l'OCULAIRE = GROSSISSEMENT (ex. : en utilisant une lentille de 20 mm, le calcul serait:  $750 \text{ mm} / 20 = 38 \text{ x}$  ou grossissement de 38 fois. La longueur focale varie suivant les modèles de télescopes).

### (RÉFLECTEUR)

Un oculaire Barlow est inclus avec ce télescope. Les oculaires Barlow servent à doubler ou à tripler le grossissement du télescope. Placez l'oculaire Barlow entre le tube de mise au point et l'oculaire. Dans l'exemple ci-dessus, l'oculaire Barlow de 3 x donnerait un grossissement total de 114 x ou 114 fois. ( $38 \times 3 = 114 \text{ x}$  ou 114 fois). Le calcul du grossissement serait:  $750 \text{ mm} / 20 \text{ mm} = 38 \text{ fois}$ .  $38 \text{ fois} \times 3 = 114 \text{ fois}$ .

## ASSEMBLAGE DÉTAILLÉ (SUITE)

### MISE AU POINT DU TÉLESCOPE

1. Après avoir mis en place l'oculaire choisi, dirigez le tube principal du télescope sur une cible terrestre située à une distance d'au moins 200 mètres (poteau téléphonique ou bâtiment, par exemple).
2. Tournez le mécanisme de mise au point à crémaillère et pignon pour allonger entièrement le tube de mise au point.
3. Tout en regardant dans l'oculaire choisi (celui de 20 mm dans ce cas), rétractez lentement le tube de mise au point en tournant le mécanisme de mise au point à crémaillère et pignon jusqu'à ce que l'objet soit net.

### FIXATION DU CONTRÔLEUR D'ORDINATEUR À DISTANCE ET DE LA PILE

1. Trouvez le contrôleur d'ordinateur à distance et le cordon spiralé.
2. Trouvez le couvercle de compartiment de pile sur la base du dispositif de repérage d'étoiles informatisé Discoverer.
3. Enlevez le couvercle du compartiment de pile et placez-y une pile de 9 V.
4. Remettez le couvercle en place sur le compartiment.
5. Fixez le contrôleur d'ordinateur à distance avec le cordon spiralé sur la base du dispositif de repérage d'étoiles informatisé Discoverer.

### ALIGNEMENT DU CHERCHEUR

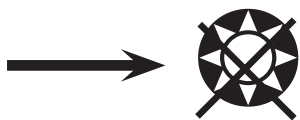
Regardez dans le tube principal du télescope et établissez une cible bien définie. (Reportez-vous à la section de mise au point du télescope).

Retirez l'isolateur en plastique se trouvant entre la pile du chercheur à point rouge et le clip de pile.

Activez le chercheur à point rouge.

En regardant dans le chercheur à point rouge, tournez les molettes de réglage jusqu'à ce que le point rouge soit centré précisément sur l'objet déjà centré dans le champ du tube principal du télescope.

Désormais, les objets repérés d'abord à l'aide du chercheur à point rouge seront centrés dans le champ du tube principal du télescope.



**NE REGARDEZ JAMAIS DIRECTEMENT LE  
SOLEIL À TRAVERS LE TÉLESCOPE.**



**RISQUE DE LÉSIONS OCULAIRES  
PERMANENTES.**



## PROFITEZ DE VOTRE NOUVEAU TÉLESCOPE.

1. Déterminez d'abord l'objet à observer. N'importe quel objet brillant du ciel nocturne est un bon point de départ. L'un des points de départ préférés en astronomie est la Lune. C'est un objet intéressant pour l'astronome débutant aussi bien que pour les astronomes expérimentés. Lorsque vous vous êtes exercés à ce niveau, d'autres objets deviennent de bonnes cibles. Saturne, Mars, Jupiter et Vénus sont intéressantes en seconde étape.
2. La première chose que vous devez faire après l'assemblage du télescope comme prévu est de centrer l'objet choisi dans la croisée de fils du chercheur. À condition que vous ayez suffisamment bien aligné le chercheur, un coup d'œil rapide dans le tube principal du télescope à faible grossissement doit révéler la même image. Avec l'oculaire de plus faible grossissement (celui qui a le nombre le plus grand inscrit dessus), vous devriez pouvoir mettre au point la même image que celle que vous avez vue dans le chercheur. Évitez la tentation de passer directement au grossissement le plus fort. L'oculaire de faible grossissement donne une plus grande largeur de champ et une image plus brillante, ce qui facilite le repérage de l'objet cible. À ce moment, avec une image mise au point dans les deux lunettes, vous avez franchi le premier obstacle. Si vous ne voyez pas d'image après avoir essayé de la mettre au point, pensez à aligner de nouveau le chercheur. Une fois cette opération effectuée, vous pourrez apprécier le temps passé pour obtenir un alignement correct. Chaque objet que vous centrerez dans le chercheur apparaîtra facilement dans le tube principal du télescope, ce qui est important pour continuer l'exploration du ciel nocturne.
3. Les oculaires de faible grossissement sont parfaits pour observer la pleine lune, les planètes, les amas d'étoiles, les nébuleuses et même les constellations. Ces objets constituent votre base. Toutefois, pour voir plus de détails, essayez d'utiliser des oculaires à plus fort grossissement sur certains de ces objets. Durant les nuits calmes et vives, la ligne de séparation des parties éclairée et obscure de la Lune (appelée « Terminator ») est merveilleuse à fort grossissement. Les montagnes, crêtes et cratères paraissent avec un fort relief à cause de la mise en lumière. De manière similaire, vous pouvez utiliser de plus forts grossissements sur les planètes et nébuleuses. Quant aux amas d'étoiles et aux étoiles individuelles, la meilleure observation s'effectue toujours à faible grossissement.
4. Le théâtre astronomique renouvelé que nous appelons le ciel nocturne est un écran géant toujours changeant. Autrement dit, ce n'est pas toujours le même film qui repasse. Bien au contraire, les positions des étoiles changent non seulement d'heure en heure alors qu'elles semblent se lever et se coucher, mais aussi tout au long de l'année. À mesure que la Terre tourne autour du Soleil, notre vue des étoiles change sur un cycle annuel, selon cette orbite. La raison pour laquelle le ciel semble se déplacer chaque jour, tout comme le Soleil et la Lune « se déplacent » dans le ciel, c'est que la Terre tourne autour de son axe. C'est ainsi que vous pouvez remarquer qu'au bout de quelques minutes ou quelques secondes, suivant le grossissement utilisé, les objets se déplacent dans le télescope. Aux forts grossissements surtout, vous remarquerez que la Lune ou Jupiter « courent » et sortent du champ rapidement. Pour compenser, déplacez simplement le télescope pour qu'il suive sa trajectoire.

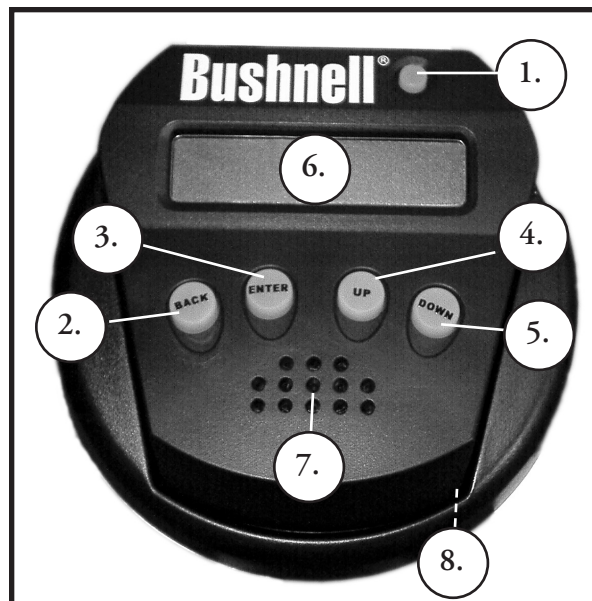


## CONSEILS UTILES

1. Le télescope est un instrument très sensible. Pour obtenir les meilleurs résultats et le moins de vibrations, installez le télescope sur un endroit plat, sur le sol plutôt que sur une surface en béton ou une plate-forme en bois. Cela fournira une base plus stable pour l'observation, surtout si votre nouveau télescope a attiré une foule.
2. Si possible, observez à partir d'un endroit comportant relativement peu de lumière. Vous pourrez ainsi voir des objets d'une luminosité plus faible. Vous serez surpris(e) de constater que vous pouvez voir bien plus d'objets célestes à partir d'un lac ou d'un parc local qu'à partir d'un jardin situé en ville.
3. Il N'est JAMAIS recommandé d'observer avec le télescope à partir d'une fenêtre.
4. Autant que possible, observez les objets qui sont hauts dans le ciel. Attendez que l'objet monte bien au-dessus de l'horizon pour obtenir une image plus brillante et plus nette. Les objets situés à l'horizon sont aperçus à travers plusieurs couches de l'atmosphère terrestre. Vous êtes-vous jamais demandé pourquoi la Lune paraît orange lorsqu'elle se couche à l'horizon? C'est parce que vous la regardez à travers une quantité d'atmosphère bien plus grande qu'il n'y en a directement au-dessus. (Remarque: Si les objets hauts dans le ciel paraissent déformés ou ondulés, la nuit est probablement très humide). Durant les nuits où l'atmosphère est instable, l'observation avec un télescope peut être difficile sinon impossible. Les astronomes parlent des nuits vives et claires comme des nuits de "bonne observation".

## ORDINATEUR DISCOVERER SCHÉMA D'INTERFACE

1. Bouton marche/arrêt
2. Bouton de retour arrière
3. Bouton d'entrée
4. Bouton de défilement vers le haut
5. Bouton de défilement vers le bas
6. Écran LCD
7. Haut parleur (Real Voice Output)
8. Couvercle de piles (non représenté-situé sur le socle sous le boîtier de commande)



## FONCTIONS À BOUTONS

**TOUS LES BOUTONS SONT LUMINEUX POUR L'UTILISATION NOCTURNE.**

**Bouton marche/arrêt:** Le bouton marche/arrêt sert à activer et à désactiver le dispositif de repérage d'étoiles informatisé Discoverer. Pour désactiver, il suffit de maintenir le bouton marche/arrêt enfoncé pendant trois secondes et de le relâcher. (Remarque: Le dispositif de repérage d'étoiles informatisé Discoverer se désactive automatiquement au bout de 10 minutes d'inactivité).

**Bouton de retour arrière:** Il permet de naviguer jusqu'au niveau précédent dans le cadre des fonctions et/ou de revenir au niveau précédent d'entrée. Si, à un moment quel qu'il soit, vous voulez supprimer la voix, vous pouvez le faire en appuyant sur le bouton "Back" (retour arrière) du clavier de la télécommande.

**Bouton d'entrée:** Il permet d'effectuer certains choix de menu. En appuyant sur le bouton ENTER (entrée), Discoverer avance au niveau choisi. Lorsqu'un nombre ou un nom d'objet apparaît sur l'écran, vous pouvez aussi appuyer sur ce bouton pour entendre la voix décrire et afficher le texte déroulant de la description de l'objet.

**Bouton de défilement vers le haut:** Il permet de faire défiler vers le haut dans les divers menus de Discoverer. Chaque fois que vous rencontrez une option de texte/nombre qui clignote, une pression sur le bouton de défilement affichera les divers choix dans ce menu. (Remarque: Pour sélectionner une option jusqu'à laquelle vous avez fait défiler, appuyez simplement sur le bouton ENTER (Entrée)).

**Bouton de défilement vers le bas:** Il permet de faire défiler vers le bas dans les divers menus de Discoverer. Chaque fois que vous rencontrez une option de texte/nombre qui clignote, une pression sur le bouton de défilement affichera les divers choix dans ce menu.

(Remarque: Pour sélectionner une option jusqu'à laquelle vous avez fait défiler, appuyez simplement sur le bouton ENTER (Entrée)).

## AFFICHAGE À CRISTAUX LIQUIDES

L'affichage à cristaux liquides comporte deux lignes de seize caractères. Il est lumineux pour l'observation nocturne, tout comme les boutons.

## GÉNÉRALITÉS SUR LES MODES DE L'INSTRUMENT

**Exploration:** Le mode Exploration de Discoverer permet d'explorer les divers objets astronomiques classés par type d'objet. Ces objets se trouvent dans un ou plusieurs des types d'objets suivants: ciel lointain, planètes, constellations et étoiles. Chacun de ces sous-titres comporte aussi des sous-catégories d'objets sous la structure du menu. (Reportez-vous à l'arbre des menus pour obtenir la liste complète des fonctions et options de menus).

**Tour du ciel:** Le mode Tour du ciel de Discoverer permet de faire un tour rapide des objets les plus brillants et les plus intéressants d'un mois donné de l'année. Si la date a été entrée dans le dispositif, le mode Tour du ciel passera automatiquement à ce mois. Choisissez les objets en appuyant sur les flèches de défilement vers le haut ou vers le bas puis sur le bouton d'entrée. Pour obtenir davantage d'informations sur un objet quel qu'il soit, appuyez sur le bouton ENTER (ENTRÉE) pendant que cet objet est affiché afin de voir le texte déroulant.

**Télescope:** Le mode Télescope de Discoverer fournit des données en temps réel sur l'objet sur lequel le télescope est dirigé. Les coordonnées astronomiques d'ascension droite (RA), de déclinaison (DEC), d'altitude (ALT) et d'azimut (AZ) sont affichées simultanément. De plus, l'abréviation du nom de la constellation sur laquelle le télescope est dirigé apparaît dans le coin inférieur droit.

**Identification:** Le mode Identification de Discoverer permet d'identifier n'importe quel objet se trouvant dans le champ du télescope. Des sous-catégories des différentes classes d'objets identifiables sont incluses ainsi qu'une option Identification quelconque.

**Alignement d'étoiles:** Le mode Alignement d'étoiles de Discoverer permet d'aligner le télescope en utilisant une certaine connaissance astronomique. En connaissant la position de deux étoiles dans le ciel, un débutant peut rapidement commencer à utiliser la base de données Discoverer pour localiser d'incroyables objets astronomiques.

## ALIGNEMENT DE DISCOVERER POUR LA PREMIÈRE FOIS

(REMARQUE : Assurez-vous de placer le télescope sur une surface horizontale).

### ÉTAPE 1 :

Avant d'activer le télescope, retirez la télécommande. Lorsque vous activez le télescope, un message vocal et un texte déroulant apparaissent:

**BUSHNELL DISCOVERER Vx.x**

Puis le menu par défaut apparaît:

**SELECT MODE**  
**ALIGN STAR ↑↓**

L'option ALIGNEMENT L'ÉTOILE (ALIGN STAR) clignote.

Appuyez sur ENTRÉE (ENTER) pour choisir l'option d'ALIGNEMENT L'ÉTOILE.

REMARQUE: TOUT ARTICLE DE L'AFFICHAGE QUI CLIGNOTE EST UN CHOIX DE MENU. D'AUTRES CHOIX SONT DISPONIBLES EN UTILISANT LES BOUTONS DE DÉFILEMENT VERS LE HAUT OU VERS LE BAS.

Un message déroulant indique : CENTER STAR 1 THEN PRESS ENTER (CENTREZ L'ÉTOILE 1 ET APPUYEZ SUR ENTRÉE).

Pour centrer l'étoile guide, choisissez simplement une étoile que vous connaissez dans la liste, sur l'écran. Répétez pour l'étoile 2.

Une fois cette étape accomplie, vous verrez un affichage qui indique :

**ALIGN COMPLETE**  
**RATING \*\*\*\*\***

(Remarque: Plus il y a d'étoiles sur la seconde ligne de l'affichage, mieux c'est ; 5 au maximum).

## UTILISATION DE DISCOVERER POUR LA PREMIÈRE FOIS

Après ALIGNEMENT D'ÉTOILE, l'affichage indique :

**SELECT MODE**  
**EXPLORE ↑↓**

Sélectionnez EXPLORE (EXPLORATION) en appuyant sur ENTER (ENTRÉE). Utilisez les boutons de DÉFILEMENT VERS LE HAUT et VERS LE BAS pour voir les choix de menus qui clignent. Choisissez PLANET (PLANÈTES). Ce sont les plus intéressantes. Même si vous utilisez le télescope pour la première fois, les PLANÈTES sont fascinantes.

Appuyez sur ENTRÉE quand l'affichage indique :

**EXPLORE**  
**PLANET**

Ceci vous amène à la liste des objets appelés PLANÈTES. En utilisant les boutons de DÉFILEMENT VERS LE HAUT ou VERS LE BAS, vous pouvez explorer plusieurs objets de la liste.

**PLANET**  
**JUPITER ↑↓**

Appuyez sur ENTRÉE pour choisir la PLANÈTE que vous souhaitez observer. L'affichage indique alors :

## UTILISATION DE Discoverer POUR LA PREMIÈRE FOIS (SUITE)

### PLANET

←120 ↑52 JUPITER

REMARQUE: SI UN OBJET SE TROUVE SOUS L'HORIZON, L'AFFICHAGE FAIT APPARAÎTRE PÉRIODIQUEMENT LE MOT "HORIZON."

Utilisez les boutons de DÉFILEMENT VERS LE HAUT ou VERS LE BAS pour voir les autres PLANÈTES de la liste. Notez que l'affichage indique la direction de chaque objet. Et si l'utilisateur qui se sert du télescope pour la première fois souhaite en apprendre davantage sur un objet? Ne serait-il pas intéressant de savoir ce qu'est l'objet avant de déplacer le télescope ?

Appuyez sur ENTRÉE quand :

### PLANET

←120 ↑52 JUPITER

une autre PLANÈTE est affichée. Un message déroulant indique alors les coordonnées de l'objet, sa luminosité, sa grosseur, son nom correct, la constellation dans laquelle il se trouve et en donne une brève description. Pour JUPITER, c'est :

**JUPITER fifth planet from sun.**  
**Largest planet in solar system.**  
**16 moons. Orbit is 11.86 years.**  
**Diameter 143,000 km. Named for roman king of gods.**

Imaginons maintenant que vous êtes un parent qui essaye d'épater ses enfants (ou vice versa). Au bout de dix minutes de votre première séance d'observation, vous êtes déjà en train d'apprendre l'astronomie. C'est un merveilleux outil éducatif !

À chaque pression du bouton BACK (RETOUR ARRIÈRE), vous revenez au niveau précédent. Appuyez trois fois sur le bouton pour revenir au menu du niveau principal. L'affichage indique :

**SELECT MODE**  
**EXPLORE ↑↓**

Utilisez les boutons de DÉFILEMENT VERS LE HAUT ou VERS LE BAS pour choisir

**SELECT MODE**  
**SKY TOUR ↑↓**

Appuyez sur ENTRÉE.

Ce mode vous emmène faire le tour des objets les plus intéressants et les plus brillants chaque mois. Si vous avez effectué ALIGN STAR (ALIGNEMENT L'ÉTOILE) et si la date a été enregistrée, le télescope passe automatiquement au mois en cours. Vous ne savez pas ce que sont certains de ces objets obscurs et ce que les abréviations signifient ? Il suffit d'appuyer sur ENTER (ENTRÉE) pour avoir plus de détails.

Appuyez sur le bouton de RETOUR ARRIÈRE pour revenir au menu principal :

**SELECT MODE**  
**SKY TOUR ↑↓**

Utilisez les boutons de DÉFILEMENT VERS LE HAUT ou VERS LE BAS jusqu'à ce que l'affichage indique :

**SELECT MODE**  
**IDENTIFY ↑↓**

Appuyez sur ENTRÉE.

## UTILISATION DE Discoverer POUR LA PREMIÈRE FOIS (SUITE)

Ce mode passe par défaut au niveau

### IDENTIFY ANY

Le choix de cette option à l'aide de la touche ENTRÉE permet d'IDENTIFIER l'objet en cours d'observation OU l'objet le plus proche de l'endroit où le télescope est dirigé. Il existe aussi des options pour choisir d'autres types de menus IDENTIFY (IDENTIFICATION). Ceux-ci permettent d'IDENTIFIER les AMAS D'ÉTOILES, NÉBULEUSES, etc. les plus proches de la position en cours du télescope.

Pour choisir le mode final, appuyez sur ENTRÉE à l'affichage :

### SELECT MODE

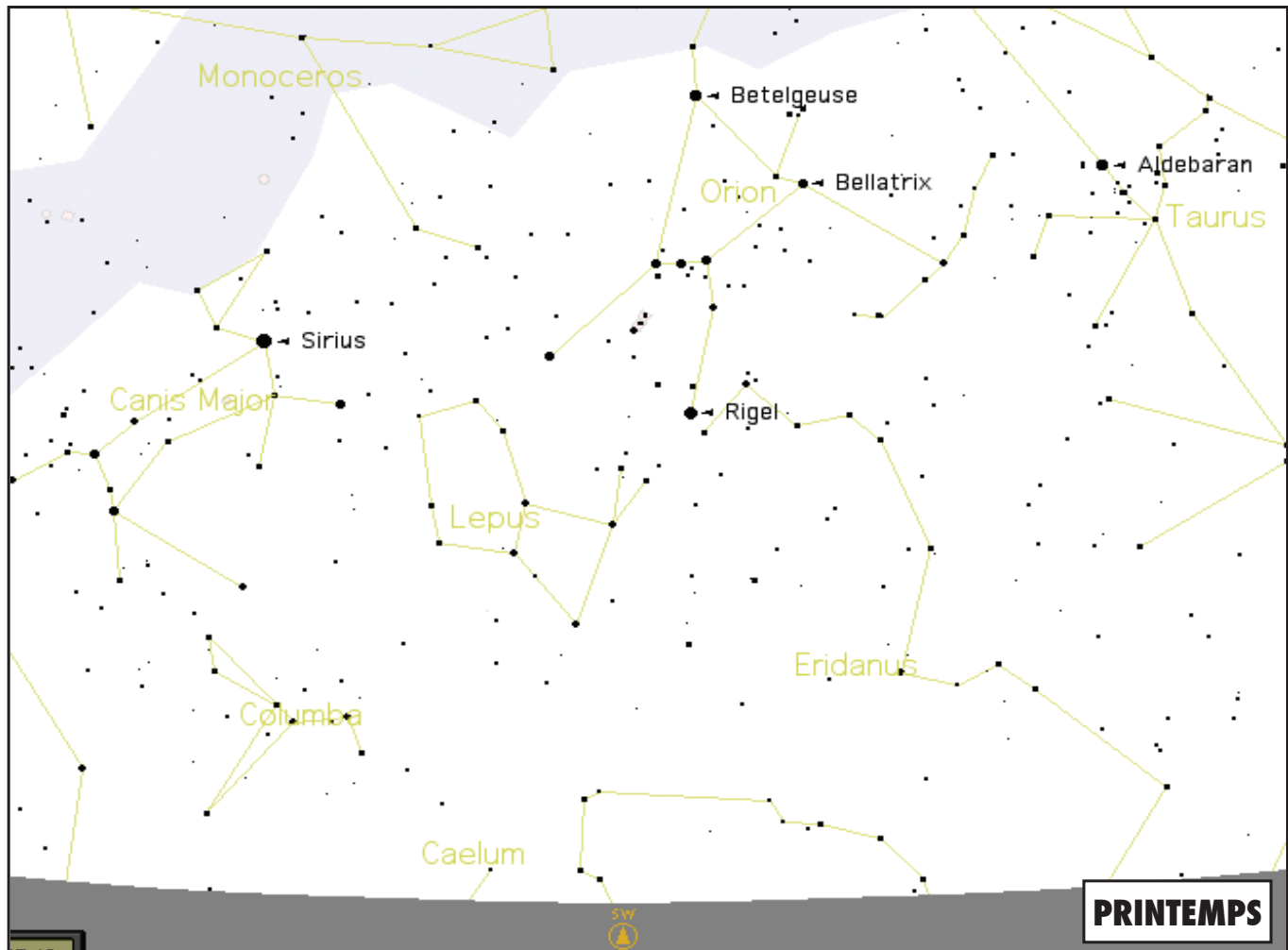
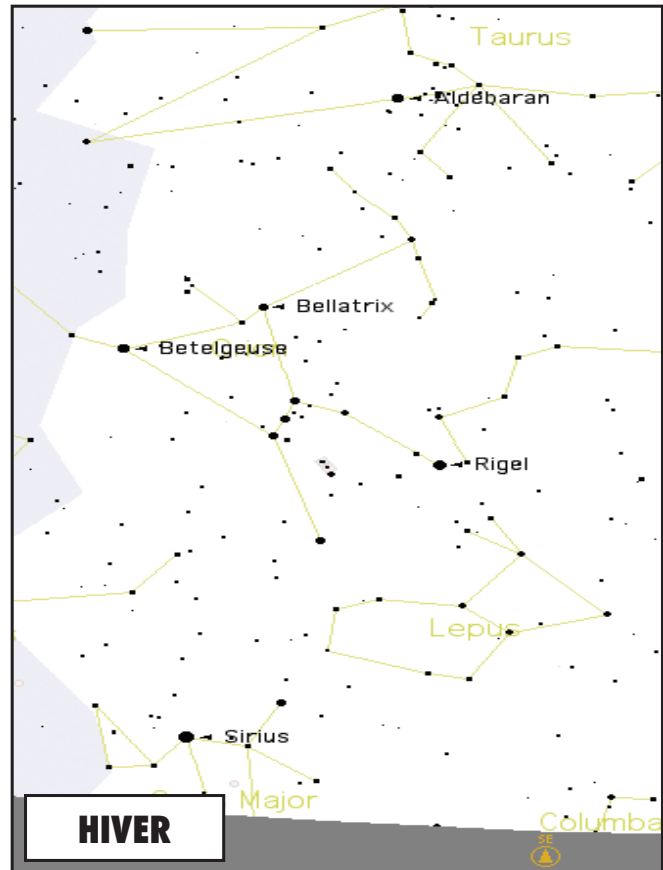
TELESCOPE ↑↓

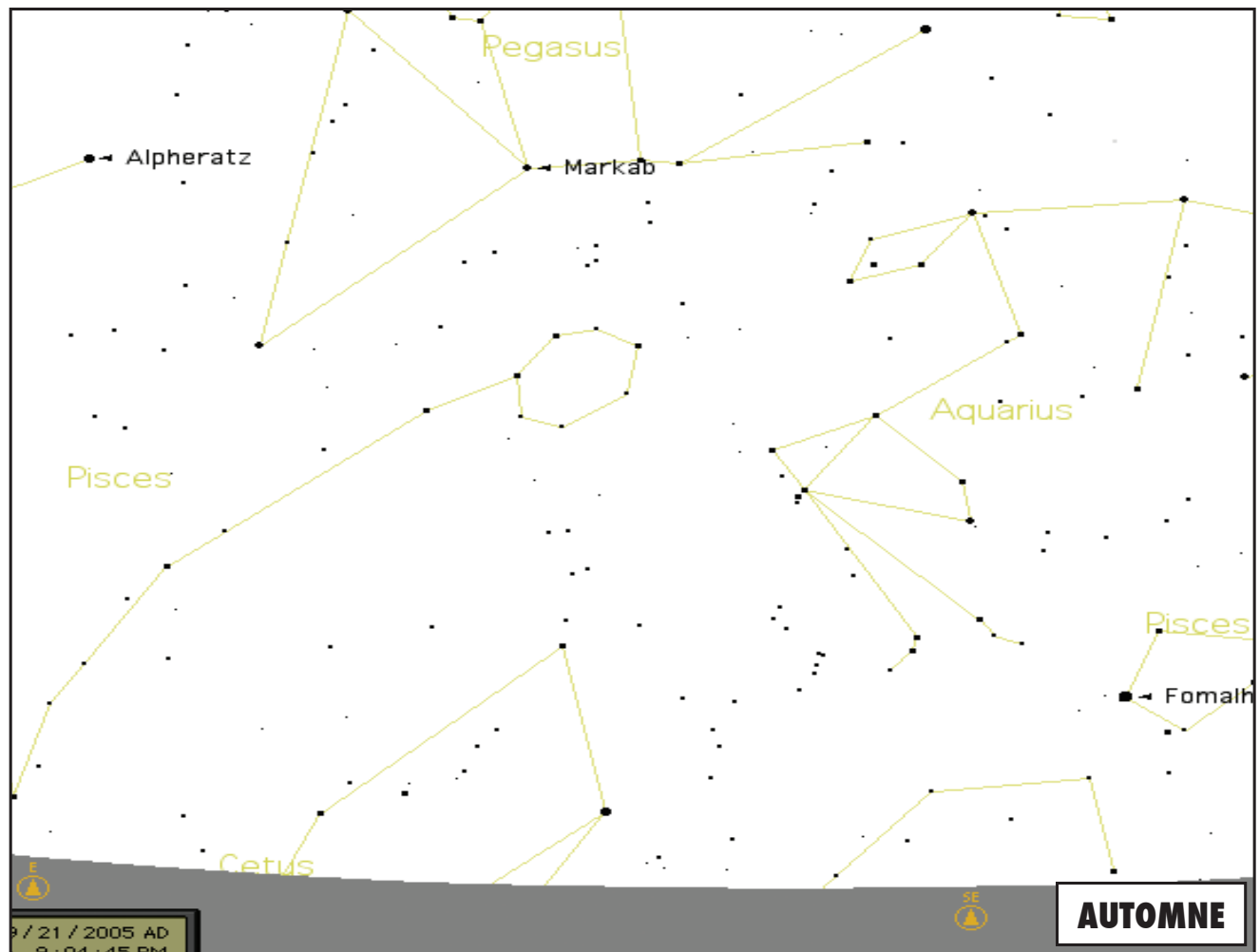
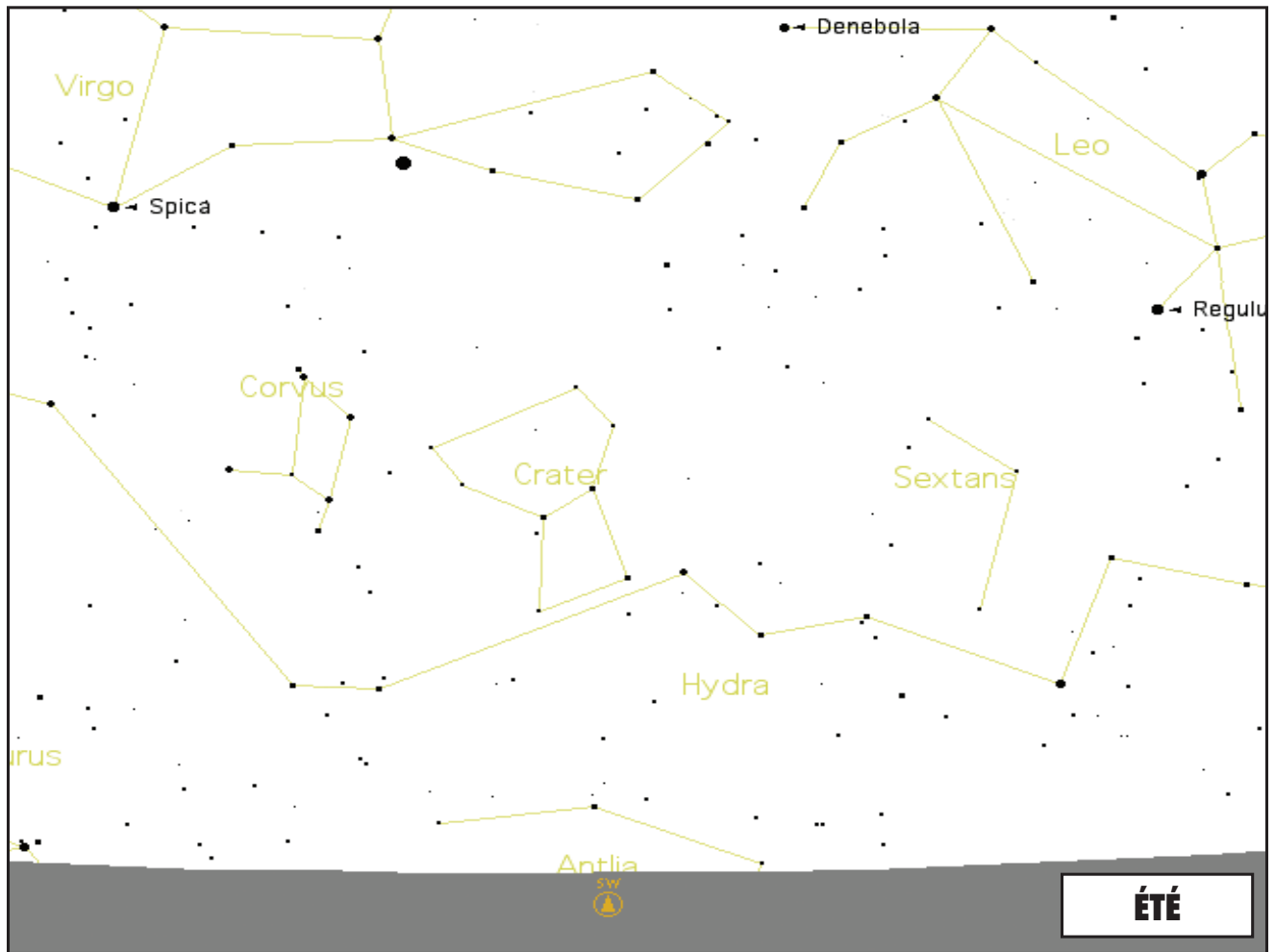
L'affichage indique approximativement :

**RA18:53 DEC+38.7**

**AZ280 ALT+62 LYR**

Le mode TELESCOPE (TÉLESCOPE) fournit des informations dynamiques en temps réel sur la position en cours de l'instrument, en coordonnées astronomiques. Il est possible de se familiariser avec ce mode en déplaçant le télescope. Notez l'abréviation à trois lettres à la partie inférieure droite de l'affichage. L'affichage indique de manière dynamique la CONSTELLATION vers laquelle le télescope est dirigé. Dans ce mode, ces noms sont abrégés. Les définitions des abréviations figurent dans la table alphabétique du catalogue.







# NOTES

# GARANTIE/RÉPARATION

## GARANTIE À VIE LIMITÉE DU TÉLESCOPE

Votre télescope Bushnell® est garanti exempt de défauts de matériaux et de fabrication pendant la durée de vie de son premier propriétaire. La garantie à vie limitée traduit notre confiance dans les matériaux et l'exécution mécanique de nos produits et représente pour vous l'assurance de toute une vie de service fiable.

Si votre télescope contient des composants électriques, ces composants sont garantis exempts de défauts de matériaux et de fabrication pendant deux ans après la date d'achat.

Au cas où un défaut apparaîtrait sous cette garantie, nous nous réservons l'option de réparer ou de remplacer le produit, à condition de nous le renvoyer en port payé. La présente garantie ne couvre pas les dommages causés par une utilisation, une manipulation, une installation incorrecte(s) ou un entretien incorrect ou fourni par quelqu'un d'autre qu'un centre de réparation agréé par Bushnell.

Tout retour effectué dans le cadre de la présente garantie doit être accompagné des articles indiqués ci-dessous :

- 1) un chèque ou mandat d'une somme de 15,00 \$ US pour couvrir les frais d'envoi et de manutention
- 2) le nom et l'adresse pour le retour du produit
- 3) une description du défaut constaté
- 4) la preuve de la date d'achat
- 5) Le produit doit être emballé soigneusement, dans un carton d'expédition solide, pour éviter qu'il ne soit endommagé durant le transport ; envoyez-le en port payé, à l'adresse indiquée ci-dessous :

Aux ÉTATS-UNIS, envoyez à :  
 Bushnell Outdoor Products  
 Attn.: Repairs  
 8500 Marshall Drive  
 Lenexa, Kansas 66214

Au CANADA, envoyez à :  
 Bushnell Outdoor Products  
 Attn.: Repairs  
 25A East Pearce Street, Unit 1  
 Richmond Hill, Ontario L4B 2M9

Pour les produits achetés en dehors des États-Unis et du Canada, veuillez contacter votre distributeur local pour tous renseignements concernant la garantie. En Europe, vous pouvez aussi contacter Bushnell au :

BUSHNELL Performance Optics GmbH  
 European Service Centre  
 MORSESTRASSE 4  
 D- 50769 Cologne  
 Allemagne  
 Tél: +49 (0) 221 709 939 3  
 Fax: +49 (0) 221 709 939 8

La présente garantie vous donne des droits légaux spécifiques.  
 Vous pouvez avoir d'autres droits qui varient selon les pays.

©2007 Bushnell Outdoor Products

### Remarque relative à la FCC (Commission fédérale des télécommunications)

Ce matériel a été testé et s'est révélé être conforme aux limites d'un dispositif numérique de classe B, conformément à la section 15 de la réglementation FCC. Ces limites ont été établies pour assurer une protection raisonnable contre les parasites nuisibles dans les immeubles résidentiels. Ce matériel produit, utilise et peut émettre de l'énergie radiofréquence ; en conséquence, s'il n'est pas installé et utilisé en conformité avec les instructions, il risque de provoquer des parasites nuisibles aux communications radio. Toutefois, il n'est pas garanti que des parasites ne se produiront pas dans une installation particulière. Si ce matériel causait des parasites nuisibles à la réception radio ou télévision, qui peuvent être déterminés en mettant le matériel hors tension puis sous tension, l'utilisateur peut essayer de remédier au problème en appliquant l'une ou plusieurs des mesures suivantes :

- Réorienter ou déplacer l'antenne de réception.
- Augmenter la distance séparant le matériel du récepteur.
- Connecter le matériel à une prise de courant ou à un circuit différent(e) de celui (celle) auquel (à laquelle) le récepteur est relié.
- Consulter le concessionnaire ou un technicien radio/TV expérimenté.

Le câble d'interface blindé doit être utilisé avec le matériel afin d'être conforme aux limites d'un dispositif numérique, conformément à la sous-section B de la section 15 de la réglementation FCC.



Les spécifications et conceptions sont sujettes à modification sans préavis ni obligation de la part du fabricant.

# ESPAÑOL

Felicidades por haber comprado un telescopio Bushnell Discoverer con Real Voice Output (Salida de voz real). Éste es uno de los primeros telescopios producidos que le habla para educarle sobre el cielo nocturno. Considere esta función como su asistente personal en astronomía.

Después de leer este manual y de prepararse para la sesión de observación siguiendo las indicaciones de estas páginas, puede empezar a disfrutar de la función Real Voice Output haciendo lo siguiente:

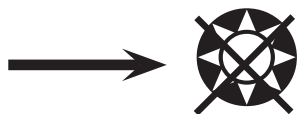
Para activar el telescopio, ¡sólo tiene que encenderlo! La función Real Voice Output está integrada en el dispositivo de control remoto.

El telescopio hará diferentes comentarios útiles durante el proceso de alineamiento. Una vez alineado, la función Real Voice Output brillará realmente siempre que se pulse la tecla “enter” (introducción) cuando se visualice el nombre o el número de un objeto en la esquina inferior derecha de la pantalla LCD de visualización. Se escuchará una voz que hará la descripción del objeto al mismo tiempo que se mueve el texto de la descripción en la pantalla.

Si en cualquier momento desea anular la función de habla, puede cancelarla pulsando el botón “Back” (Regresar) en el teclado de control remoto.

¡Esperamos sinceramente que disfrute de su telescopio durante muchos años!

## DISCOVERER



**NO MIRE NUNCA DIRECTAMENTE AL SOL  
CON SU TELESCOPIO**

**PODRÍA SUFRIR DAÑOS PERMANENTES EN  
LOS OJOS**

## ¿POR DÓNDE EMPIEZO?

Su telescopio Bushnell puede poner las maravillas del universo delante de sus ojos. Si bien este manual trata de asistirle en el montaje y el uso básico de este instrumento, no cubre todo lo que le gustaría saber sobre astronomía. Aunque Discoverer le proporcionará un viaje respetable por el cielo nocturno, le recomendamos que consiga una carta celeste básica y una linterna con bombilla roja o cubierta con papel de celofán rojo. En el caso de los objetos que no sean estrellas y constelaciones, es muy importante disponer de una guía astronómica básica. En nuestro sitio web [www.bushnell.com](http://www.bushnell.com), ofrecemos algunas de las fuentes recomendadas. También podrá ver en nuestro sitio web los acontecimientos recientes en el firmamento cuya visión aconsejamos. En cualquier caso, algunos de los cuerpos celestes más importantes que se pueden ver son:

**La Luna**—con cualquier aumento se puede disfrutar de una vista maravillosa de nuestra vecina lunar. Trate de observarla en las diferentes fases lunares. Se quedará atónito con las altiplanicies, los mares lunares (tierras bajas que se llaman “mares” por su color oscuro), los cráteres, las colinas y las montañas de la Luna.

**Saturno**—hasta con los aumentos más bajos podrá ver los anillos y las lunas de Saturno. Es uno de los cuerpos celestes que producen una mayor satisfacción debido a que su aspecto es igual al que estamos acostumbrados a ver en las fotografías. ¡Imagínese observando desde su jardín lo que antes ha visto en los libros de texto o en las imágenes de la NASA!

**Júpiter**—el planeta más grande de nuestro sistema solar es espectacular. Las características más notables son sus tiras o bandas oscuras, tanto por arriba como por debajo de su ecuador. Éstas son las cintas ecuatoriales del norte y del sur. También son interesantes las cuatro lunas principales de Júpiter. Preste una atención especial a sus respectivas posiciones de una noche a otra. Parece que están alineadas a ambos lados de Júpiter.

**Marte**—El Gran Planeta Rojo parece un disco rojo-anaranjado. Mírelo en diferentes épocas del año y trate de ver el blanco de sus casquetes polares.

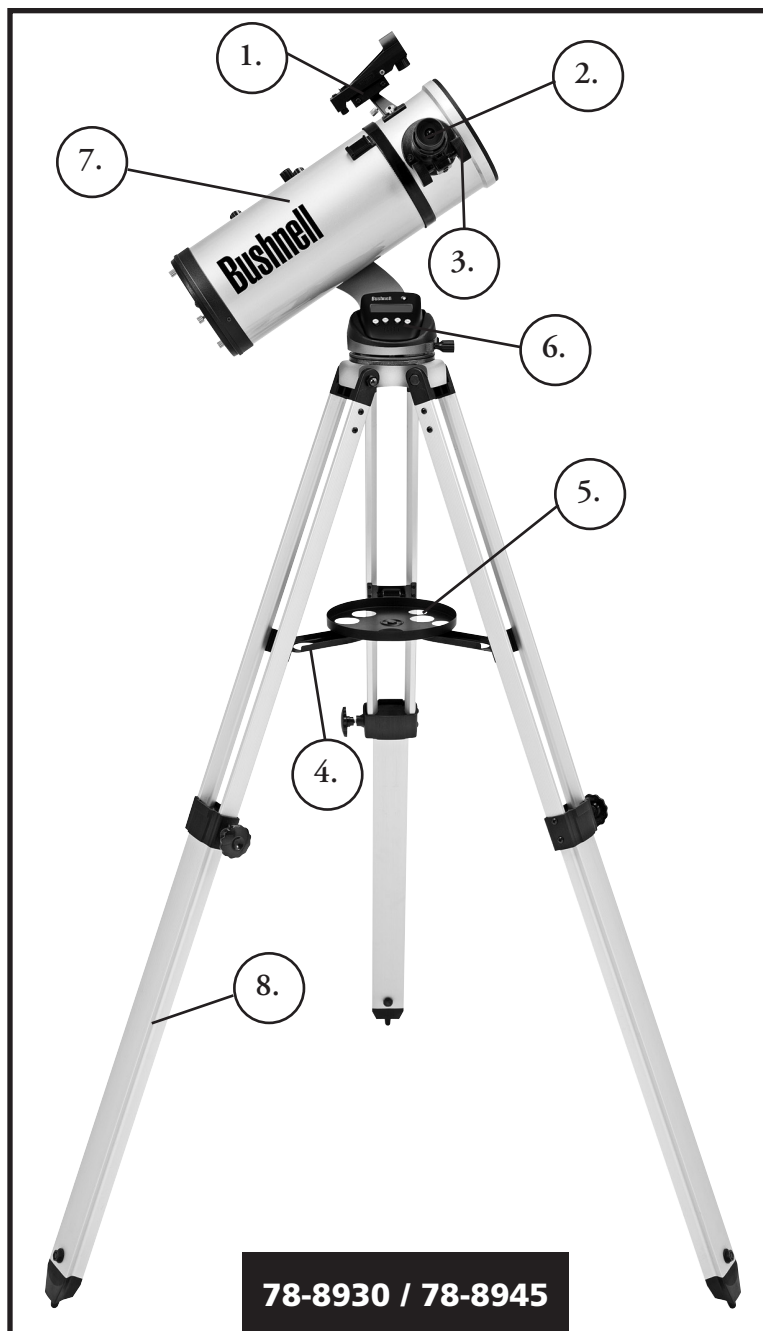
**Venus**—igual que la Luna, Venus cambia de fases de un mes a otro. Hay veces que Venus aparece brillantemente en el cielo nocturno como si fuera una luna creciente distante.

**Nebulosas**—El Gran Orión es una nebulosa muy conocida en el cielo nocturno que se puede ver, junto con otras muchas más, con este telescopio.

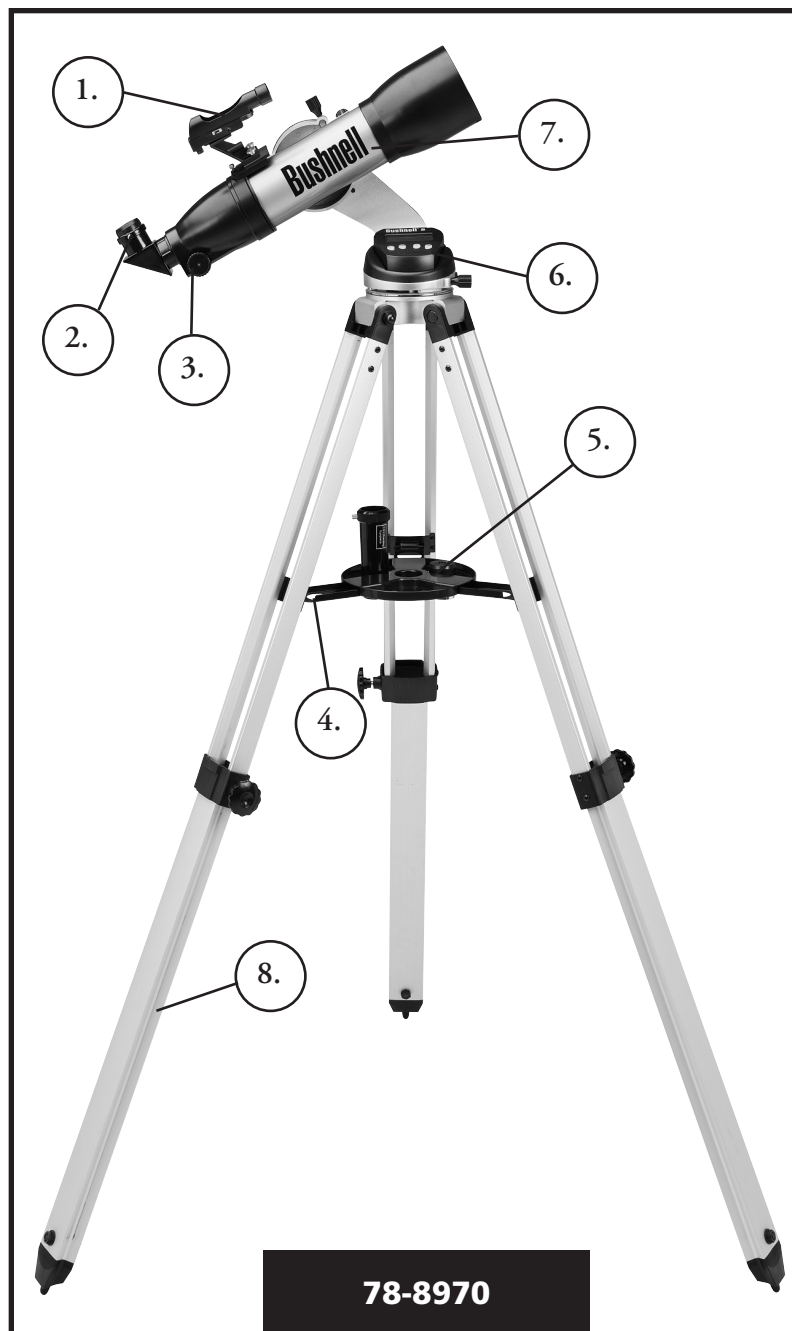
**Cúmulos de estrellas**—Vea millones de estrellas densamente unidas formando un cúmulo que parece una bola.

**Galaxias**—Una de las galaxias más grandes e interesantes es nuestra vecina la galaxia Andrómeda. Podrá disfrutar de esta galaxia y otras muchas.

## DIAGRAMA DE PIEZAS



78-8930 / 78-8945



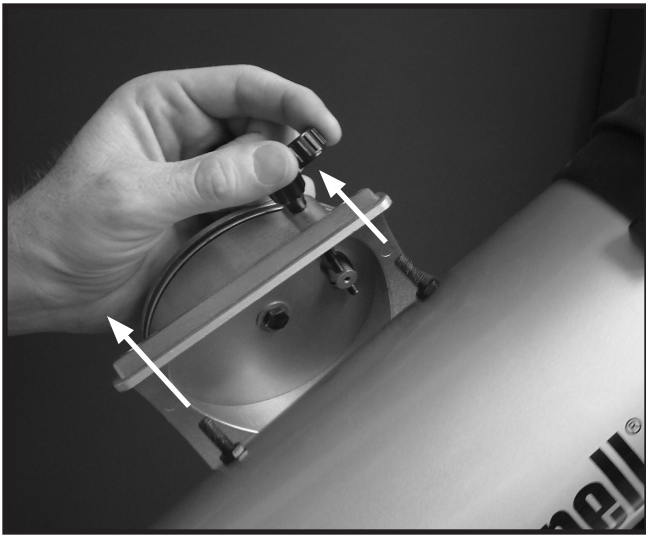
78-8970

### Diagrama de piezas del telescopio

- |  |  |
|--|--|
| 1. Visor de localización de Red Dot (Punto Rojo) | 5. Bandeja para accesorios de desconexión rápida |
| 2. Ocular de formato 1.25"                       | 6. Controlador remoto del ordenador              |
| 3. Mecanismo de enfoque de cremallera            | 7. Tubo del telescopio principal                 |
| 4. Tirante de la bandeja para accesorios         | 8. Trípode de aluminio ajustable                 |

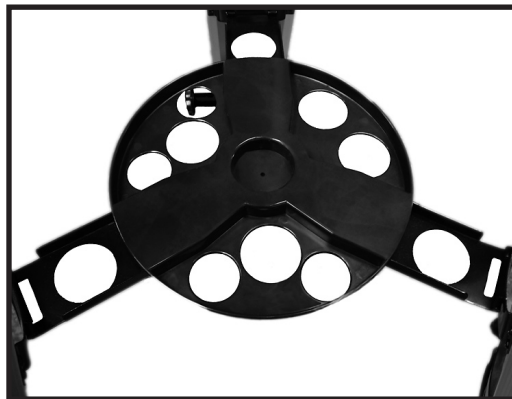
## GUÍA DE MONTAJE RÁPIDO

78-8970 / 78-8930 / 78-8945



Empuje los pernos de sujeción del tubo del telescopio por los agujeros del soporte del tubo (quite primero las tuercas de mariposa), y después sujete y apriete las tuercas de mariposa para sujetar el tubo firmemente.

78-8970 / 78-8930 / 78-8945



Empuje ligeramente la bandeja de accesorios de desconexión rápida en el cubo, en el centro del tirante de la bandeja de accesorios.

## LISTA DE PIEZAS

- Conjunto de trípode de aluminio ajustable (Pre-montado en la base del localizador de estrellas computerizado del Discoverer)
- Bandeja de accesorios de desconexión rápida
- Telescopio Discoverer con tuercas de conexión a mano
- Oculares (2)
- Visor de localización Red Dot
- Lente Barlow (Reflector)
- Espejo diagonal (788970 refractore)

## MONTAJE DETALLADO

No se requieren herramientas para el montaje del telescopio.

Saque todos los componentes de la caja e identifíquelos. Es una buena idea extender todas las piezas delante de usted antes de empezar el montaje. Como quiera que el telescopio es un sistema óptico de precisión, es necesario manejar las piezas con cuidado—particularmente el ordenador de a bordo, el telescopio, los oculares y las diferentes lentes accesorias.

### MONTE EL TRÍPODE Y LA BANDEJA PARA ACCESORIOS

1. Ponga el conjunto del localizador de estrellas computerizado Discoverer y las patas de trípode conectadas en posición vertical. Extienda las patas del trípode a una distancia confortable.
2. Pliegue los tirantes de la bandeja para accesorios y coloque la bandeja para accesorios de desconexión rápida sobre los tirantes. (Vea el diagrama de montaje rápido).
3. Gire la bandeja para accesorios hasta que encaje en su lugar.
4. Ajuste la altura de las patas del trípode abriendo la palanca de la pata del trípode y extendiendo las patas del trípode hasta la altura deseada.

### CONEXIÓN DEL TUBO DEL TELESCOPIO

1. Localice el tubo del telescopio principal.
2. Quite las tuercas de aleta del tubo del telescopio del lado del tubo del telescopio.
3. Ponga los tornillos de conexión del tubo del telescopio principal a través del soporte del tubo del telescopio en la parte superior del conjunto del localizador de estrellas computerizado Discoverer (El logotipo del tubo del telescopio debe mirar hacia arriba).
4. Reconectar las tuercas de aleta del tubo del telescopio a los tornillos de conexión del tubo del telescopio principal una vez que el tubo del telescopio principal y el conjunto del localizador de estrellas computerizado Discoverer se conecten entre sí.

### CONEXIÓN DE LOS ACCESORIOS DE TELESCOPIO FINALES

1. Encuentre el visor de localización Red Dot.

NOTA: El extremo grande del visor de localización debe mirar al extremo abierto del tubo del telescopio.

2. Conecte el ocular de potencia baja.
3. Apriete todos los tornillos de fijación para asegurar bien los accesorios.

### CÓMO SE SELECCIONA EL OCULAR

Hay que empezar a mirar siempre con el ocular de potencia más baja, que en este caso es la lente de 20 mm. Nota: la potencia base de cada ocular viene determinada por la distancia focal del objetivos del telescopio. Se puede usar una fórmula para determinar la potencia de cada ocular: distancia focal del OBJETIVO del telescopio dividido por la distancia focal del OCULAR = AUMENTO (por ejemplo, si se usa una lente de 20 mm, un cálculo sencillo podría hacerse así:  $750 \text{ mm} / 20 = 38 \text{ x}$ , es decir, una potencia de 38. Los modelos de telescopio varían en distancia focal).

(Reflector)

Con este telescopio se entrega una lente Barlow. Las lentes Barlow se utilizan para duplicar o triplicar la potencia de su telescopio. Coloque la lente Barlow entre el tubo de enfoque y el ocular. Aplicando el ejemplo anterior, la lente Barlow 3x le daría una potencia total de 114x, es decir, una potencia de 114. ( $38 \times 3 = 114\text{x}$ , una potencia de 114). El cálculo del aumento sería algo parecido a:  $750 \text{ mm} / 20\text{mm} = \text{potencia de } 38$ . Potencia de  $38 \times 3 = \text{potencia de } 114$ .



## MONTAJE DETALLADO (CONTINUACIÓN)

### CÓMO SE ENFOCA EL TELESCOPIO

1. Después de seleccionar el ocular deseado, apunte el tubo del telescopio principal a un blanco basado en tierra situado a una distancia mínima de 200 yardas (p. ej.: un poste de teléfono o un edificio).
2. Extienda completamente el tubo de enfoque girando el mecanismo de enfoque de cremallera.
3. Mientras mira por el ocular seleccionado (en este caso el de 20 mm), retraiga lentamente el tubo de enfoque girando el mecanismo de enfoque de cremallera hasta que el objeto aparezca enfocado.

### CONECTAR EL CONTROLADOR Y LA PILA DEL ORDENADOR REMOTO

1. Localice el controlador de ordenador remoto y el cable en espiral.
2. Localice la puerta del hueco de la pila en la base del localizador de estrellas computerizado Discoverer.
3. Quite la puerta del hueco de la pila e inserte una pila de 9 voltios.
4. Vuelva a poner la puerta del hueco de la pila.
5. Conecte el controlador de ordenador remoto con el cable en espiral a la base del localizador de estrellas computerizado Discoverer.

### CÓMO SE HACE EL ALINEAMIENTO DEL VISOR DE LOCALIZACIÓN

Mire por el tubo del telescopio principal y establezca un blanco bien definido. (vea la sección Cómo se enfoca el telescopio)

Quite el aislador plástico que hay entre la pila del visor de localización Red Dot y el clip de la pila.

Encienda el visor de localización Red Dot.

Mirando por el visor de localización Red Dot, gire las ruedas de ajuste hasta que el punto rojo esté centrado con precisión en el mismo objeto que ya está centrado en el campo de visión del tubo del telescopio principal. Ahora, los objetos que se localizan primero con el visor de localización Red Dot se centrarán en el campo de visión del telescopio principal.



**NO MIRE NUNCA DIRECTAMENTE AL SOL  
CON SU TELESCOPIO**

**PODRÍA SUFRIR DAÑOS PERMANENTES EN  
LOS OJOS**

## CÓMO DISFRUTAR DE SU NUEVO TELESCOPIO

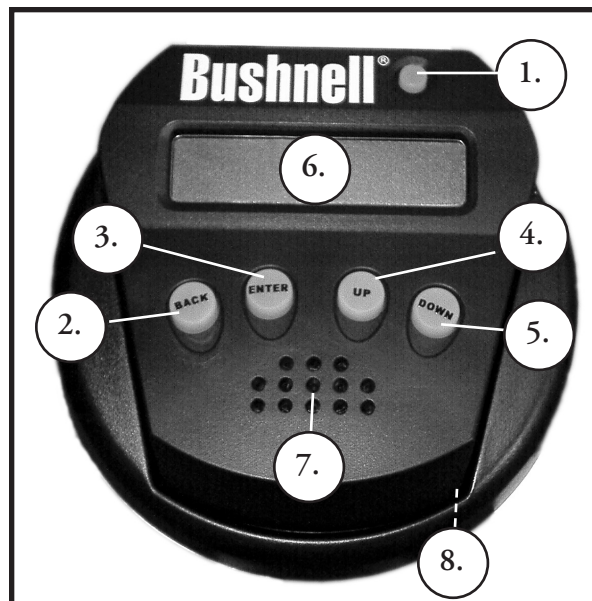
1. Primero determine el objeto que quiere ver. Cualquier objeto brillante del cielo nocturno es un buen punto de partida. Uno de los puntos de partida favoritos en astronomía es la Luna. Es un objeto celeste que con toda seguridad agrada tanto a cualquier astrónomo en ciernes como a los veteranos con mucha experiencia. Cuando llegue a dominar este nivel, hay otros objetos que pueden convertirse en buenos blancos. Saturno, Marte, Júpiter y Venus son unos buenos segundos pasos que se deben tomar.
2. Lo primero que tiene que hacer después de montar el telescopio según lo planeado es centrar el objeto deseado en la cruz reticular del visor de localización. Siempre que haya hecho el alineamiento del visor de forma razonable, una mirada rápida por el tubo del telescopio principal a una potencia baja deberá revelar la misma imagen. Con el ocular de potencia más baja (la que tenga el número mayor impreso en el mismo) deberá ser capaz de enfocar la misma imagen que vio a través del visor de localización. Evite la tentación de pasar directamente a la potencia más alta. El ocular de potencia más baja le proporcionará un campo de visión más ancho y una imagen más brillante—haciendo así muy fácil la localización del blanco previsto. En este punto, con una imagen enfocada en ambos visores, ha superado el primero obstáculo. Si no ve una imagen después de haber tratado de enfocarla, puede considerar la posibilidad de volver a alinear su visor de localización. Una vez que supera este paso, disfrutará del tiempo empleado realizando un buen alineamiento. Cada uno de los objetos que centra en el visor de localización podrá encontrarlos fácilmente en el tubo del telescopio, lo cual es importante para seguir la exploración del cielo nocturno.
3. Los oculares de potencia más baja son perfectos para ver una luna llena, planetas, cúmulos de estrellas, nebulosas, y hasta constelaciones. Estos deben ser sus cimientos. Sin embargo, para más detalle, trate de usar aumentos más altos con oculares de potencias más altas en algunos de estos objetos. Durante las noches en calma y nítidas, la línea de separación de luz/oscuridad de la Luna (denominada el “Terminator”) es maravillosa usando una potencia alta. Puede ver montañas, colinas y cráteres delante de sus ojos. De igual forma, puede usar un mayor aumento en los planetas y las nebulosas. Los cúmulos de estrella y las estrellas individuales se pueden ver mejor con las potencias menores en cualquier caso.
4. El teatro astronómico recurrente que denominamos cielo nocturno es una especie de valla publicitaria en constante cambio. En otras palabras, no se ve la misma película todo el tiempo. Más bien, las posiciones de las estrellas cambian no solamente cada hora mientras parece que aparecen y desaparecen, sino que también cambian a lo largo del año. A medida que la Tierra describe su órbita alrededor del Sol, nuestra perspectiva de las estrellas cambia siguiendo un ciclo anual por dicha órbita. La razón por la que parece que el firmamento se mueve a diario de igual forma que el Sol y la Luna se “mueven” a través del nuestro cielo, es que la Tierra gira alrededor de su eje. Como resultado, puede que observe que transcurridos unos cuantos minutos o segundos, dependiendo de la potencia a la que esté mirando, los objetos de su telescopio se moverán. A aumentos más altos, especialmente, observará que la Luna o Júpiter aparecerán como si estuvieran “corriendo” justo desde el campo de visión. Para compensar, sólo tiene que mover el telescopio para hacer su “seguimiento” siguiendo la trayectoria necesaria.

## CONSEJOS ÚTILES

1. Su telescopio es un instrumento muy sensible. Para obtener mejores resultados y menos vibraciones coloque el telescopio sobre una superficie nivelada en lugar de ponerlo sobre un camino de hormigón de acceso a la casa o en una terraza de madera. De esta forma tendrá una superficie más estable para hacer sus observaciones, especialmente si ha atraído a una muchedumbre con su nuevo telescopio.
2. Si es posible, haga sus observaciones desde un lugar que tenga relativamente pocas luces. De esta forma podrá ver objetos mucho más tenues. Se sorprenderá con cuántas más cosas podrá ver desde un lago o parque locales comparado con lo que normalmente ve desde su jardín en la ciudad.
3. No se recomienda NUNCA usar su telescopio mirando a través de una ventana.
4. Si es posible, observe objetos que estén en lo más alto del cielo. Si espera a que el objeto se eleve muy por encima del horizonte logrará una imagen más brillante y nítida. Los objetos situados en el horizonte se ven a través de varias capas de la atmósfera terrestre. ¿Se ha preguntado alguna vez por qué la Luna se ve de color anaranjado cuando está cerca del horizonte? Se debe a que la vemos a través de una cantidad más considerable de atmósfera que cuando está directamente encima de nosotros. (Nota: si los objetos en lo alto del cielo aparecen distorsionados o temblorosos es probable que los esté observando durante una noche muy húmeda.) Durante las noches con una atmósfera inestable, observar con un telescopio puede ser frustrante, sino imposible. Los astrónomos se refieren a las noches claras y nítidas como noches “buenas para observar.”

## DIAGRAMA DEL INTERFAZ DEL ORDENADOR DE DISCOVERER

1. Botón de On/Off - encendido/apagado
2. Botón "Back" (Regreso)
3. Botón "Enter" (Introducción)
4. Botón Scroll Up (Desplazamiento en pantalla hacia arriba)
5. Botón Scroll Down (Desplazamiento en pantalla hacia abajo)
6. Pantalla LCD
7. Altavoz (Real Voice Output)
8. Puerta de la pila (no se muestra, ubicada en la base debajo del controlador)



## BOTONES DE FUNCIONES

### TODOS LOS BOTONES SE ILUMINAN PARA USARSE DURANTE LA NOCHE.

**Botón de encendido/apagado (On/Off):** El botón On/Off sirve para encender y apagar el localizador de estrellas computerizado Discoverer. Para apagar la unidad, sólo tiene que pulsar y mantener pulsado el botón On/Off durante tres segundos y soltarlo. (Nota: El localizador de estrellas computerizado Discoverer se apagará automáticamente por su cuenta después de 10 minutos de inactividad).

**Botón Back (Regreso):** Este botón funciona para pasar al nivel previo dentro del marco de referencia operativo o regresar al nivel previo de entrada. Si en cualquier momento quiere desactivar la función de habla, puede cancelarla pulsando el botón "Back" (Regreso) en el teclado de control remoto.

**Botón Enter (Introducción):** Este botón funciona para seleccionar ciertas opciones de menú. Si pulsa el botón ENTER, Discoverer avanzará hasta el nivel seleccionado. Cuando el nombre o el número de un objeto aparece listado en la pantalla, también se puede pulsar el botón ENTER para escuchar una descripción hablada y visualizar una descripción en texto de dicho objeto.

**Botón Scroll Up (Desplazamiento en pantalla hacia arriba):** Este botón funciona para desplazarse hacia arriba en la pantalla por diferentes menús con Discoverer. Siempre que encuentre una opción de texto/número destellando, el botón "scroll" visualizará las diferentes opciones dentro de ese menú. (Nota: Para seleccionar una opción a la que ha llegado desplazándose por la pantalla, sólo tiene que [pulsar el botón ENTER]).

**Botón Scroll Down (Desplazamiento en pantalla hacia abajo):** Este botón funciona para desplazarse hacia abajo en la pantalla por diferentes menús dentro de Discoverer. Siempre que encuentre una opción de texto/número destellando, el botón "scroll" visualizará las diferentes opciones dentro de ese menú. (Nota: Para seleccionar una opción a la que ha llegado desplazándose por la pantalla, sólo tiene que [pulsar el botón ENTER]).

## PANTALLA LCD

La Pantalla de Cristal Líquido (LCD) presenta una visualización de dos líneas y dieciséis caracteres. La pantalla LCD se ilumina para poder usarse durante la noche de la misma forma que los botones.

## MODALIDAD DE VISIÓN GENERAL DEL PRODUCTO

**Explorar:** La modalidad Explore (Explorar) de Discoverer ofrece la capacidad de explorar varios objetos astronómicos categorizados por tipo de objeto. Estos objetos entran dentro de uno, o más, de los siguientes tipos de objetos: Espacio interplanetario, Planetas, Constelaciones y Estrellas. Cada uno de estos subencabezamientos tendrá también subcategorías de objetos dentro de su estructura de menú. (Consulte Árbol del Menú para ver una lista completa de las funciones y opciones del menú).

**Viaje por el firmamento:** La modalidad Sky Tour (Viaje por el firmamento) de Discoverer ofrece la capacidad de realizar un viaje rápido de los objetos celestes mejores y más brillantes durante cualquier mes dado del año. Si se ha introducido la fecha en el sistema, la modalidad Sky Tour pasará automáticamente a la función predeterminada correspondiente a ese mes. Los objetos se pueden elegir usando las flechas scroll up o down (desplazamiento arriba o abajo) y pulsando ENTER. Para más información sobre un objeto dado pulse el botón ENTER mientras se visualiza dicho objeto para ver un mensaje de texto desplazándose en pantalla.

**Telescopio:** La modalidad de Telescopio de Discoverer ofrece datos en tiempo real sobre la dirección en que está apuntando el telescopio. Las coordenadas astronómicas de Ascensión Recta (RA) y Declinación (DEC), así como de Altitud (ALT) y Azimut (AZ) se visualizan simultáneamente. Además, en la esquina derecha inferior aparecerá la abreviatura de la constelación a la que está apuntando el telescopio.

**Identificar:** La modalidad Identify (Identificar) de Discoverer ofrece la capacidad de identificar cualquier objeto dentro del campo de visión del telescopio. También se incluyen las subcategorías de las diferentes clases de objetos identificables, así como una opción Identify Any (Identificar Cualquiera).

**Alinear Estrella:** La modalidad Align Star (Alinear Estrella) de Discoverer ofrece la capacidad de alinear el telescopio utilizando ciertos conocimientos astronómicos. Sabiendo dónde están las dos estrellas en el cielo, un usuario novicio puede empezar a utilizar rápidamente la base de datos del Discoverer para localizar asombrosos objetos astronómicos.

## CÓMO SE HACE EL ALINEAMIENTO DEL DISCOVERER POR PRIMERA VEZ

(NOTA: Asegúrese de que el telescopio esté sobre una superficie horizontal).

### PASO 1:

Antes de encender el telescopio, quite el aparato de control remoto. Cuando se enciende el telescopio, aparecerá un mensaje hablado y en texto:

**BUSHNELL DISCOVERER Vx.x**

Después de este mensaje, el telescopio ejecutará una comprobación de diagnóstico y nivelará el tubo del telescopio en relación con la montura del telescopio.

Entonces aparecerá el menú predeterminado:

**SELECT MODE**

**ALIGN STAR ↑↓**

Esta modalidad supone que aun cuando el usuario esté utilizando el telescopio por primera vez y no sepa nada de astronomía, podrá alinear con éxito el telescopio siguiendo unos sencillos pasos.

La opción ALINEAR ESTRELLA aparece destellando.

Pulse ENTER para elegir la opción ALIGN STAR (ALINEAR ESTRELLA).

NOTA: CUALQUIER TEXTO QUE DESTELLE EN LA PANTALLA ES UNA OPCIÓN DEL MENÚ. TAMBIÉN HAY OTRAS OPCIONES DISPONIBLES USANDO LOS BOTONES SCROLL UP (DESPLAZAMIENTO ARRIBA) O SCROLL DOWN (DESPLAZAMIENTO ABAJO).

Un mensaje desplazándose en pantalla le indicará CENTER STAR 1 (CENTRAR ESTRELLA 1). LUEGO PULSE ENTER

Para centrar su estrella guía sólo tiene que elegir una estrella que conozca de la lista que aparece en pantalla. Repita para Star 2.

Después de completar este paso, aparecerá el siguiente mensaje:

**ALIGN COMPLETE**

**RATING \*\*\*\*\***

(Nota: Cuanto más estrellas aparezcan en la segunda línea de pantalla mejor, hasta un número de 5)

## CÓMO SE USA EL Discoverer POR PRIMERA VEZ

Después de ALIGN STAR (ALINEAR ESTRELLA), aparecerá en pantalla el siguiente mensaje:

**SELECT MODE**

**EXPLORE ↑↓**

Seleccione EXPLORE (EXPLORAR) pulsando ENTER. Use los botones SCROLL UP y DOWN para qué opciones de menú destellantes tiene. Elija PLANET (PLANETA). Son los más interesantes. Aun cuando use el telescopio por primera vez, los objetos de la opción PLANET (PLANETA) pueden ser muy fascinantes.

Pulse ENTER cuando vea en pantalla:

**EXPLORE**

**PLANET**

De esta forma verá una lista de objetos que son PLANETAS. Usando los botones SCROLL UP o SCROLL DOWN, podrá explorar varios planetas que aparecen en la lista.

**PLANET**

**JUPITER ↑↓**

Pulse ENTER para escoger el PLANETA que quiera ver. Entonces visualizará lo siguiente:

**PLANET**

**←120 ↑52 JUPITER**

## USING DISCOVERER FOR THE FIRST TIME (Continued)

NOTA: SI UN OBJETO SE ENCUENTRA POR DEBAJO DEL HORIZONTE, LA PANTALLA VISUALIZARÁ PERIÓDICAMENTE LA PALABRA "HORIZON" (HORIZONTE).

Use los botones SCROLL UP o SCROLL DOWN para ver otros PLANETAS de la lista. Observe que la pantalla muestra la dirección hasta cada objeto. Pero, ¿qué ocurre si está usando el telescopio por primera vez y quiere saber más cosas sobre el objeto? ¿No sería bueno saber qué objeto es antes de mover el telescopio?

PULSE ENTER cuando vea:

**PLANET**  
**←120 ↑52 JUPITER**

se visualizará cualquier otro PLANETA. Verá un mensaje de texto desplazándose en pantalla que le dirá las coordenadas del objeto, cómo es de brillante, qué tamaño tiene, cuál es su nombre propio, en qué constelación está y una breve descripción sobre el objeto. En el caso de JÚPITER se podrá leer lo siguiente:

**JUPITER fifth planet from sun.**  
**Largest planet in solar system.**  
**16 moons. Orbit is 11.86 years.**  
**Diameter 143,000 km. Named for roman king of gods.**

Ahora, imagínese que está tratando de impresionar a uno de sus hijos (o viceversa). Diez minutos después de haber comenzado su primera sesión de observación ya está aprendiendo muchas cosas sobre los objetos astronómicos. ¡Ésta es una herramienta educativa excelente!

Pulsando el botón BACK (REGRESAR) regresará al nivel previo cada vez que pulse el botón. Pulse el botón tres veces y regresará al menú del nivel principal. La pantalla mostrará lo siguiente:

**SELECT MODE**  
**EXPLORE ↑↓**

Use los botones SCROLL UP o SCROLL DOWN para seleccionar:

**SELECT MODE**  
**SKY TOUR ↑↓**

Pulse ENTER.

Esta modalidad le llevará por los objetos mejores y más brillantes de cada mes. Si ha hecho el alineamiento ALIGN STAR (ALINEAR ESTRELLA) y ha puesto la fecha, el telescopio le llevará automáticamente al presente mes. Si no sabe qué significan las abreviaturas de algunos objetos oscuros, sólo tiene que pulsar la tecla ENTER para pedir más información.

Pulse el botón BACK (REGRESAR) hasta que egrese al menú principal:

**SELECT MODE**  
**SKY TOUR ↑↓**

Use los botones SCROLL UP o SCROLL DOWN hasta que vea el siguiente texto:

**SELECT MODE**  
**IDENTIFY ↑↓**

PULSE ENTER.

Está modalidad le llevará al nivel predeterminado

**IDENTIFY ANY**

Seleccionando esta opción con la tecla ENTER, IDENTIFICARÁ el objeto que está viendo en esos momentos O el objeto más cercano hacia dónde está apuntando el telescopio en ese momento. También tendrá la opción de elegir otros tipos de menús IDENTIFY (IDENTIFICAR). Estos tipos IDENTIFICARÁN los CÚMULOS DE ESTRELLAS, las NEBULOSAS, etc. que estén más cerca de la posición actual de su telescopio.



## USING DISCOVERER FOR THE FIRST TIME (Continued)

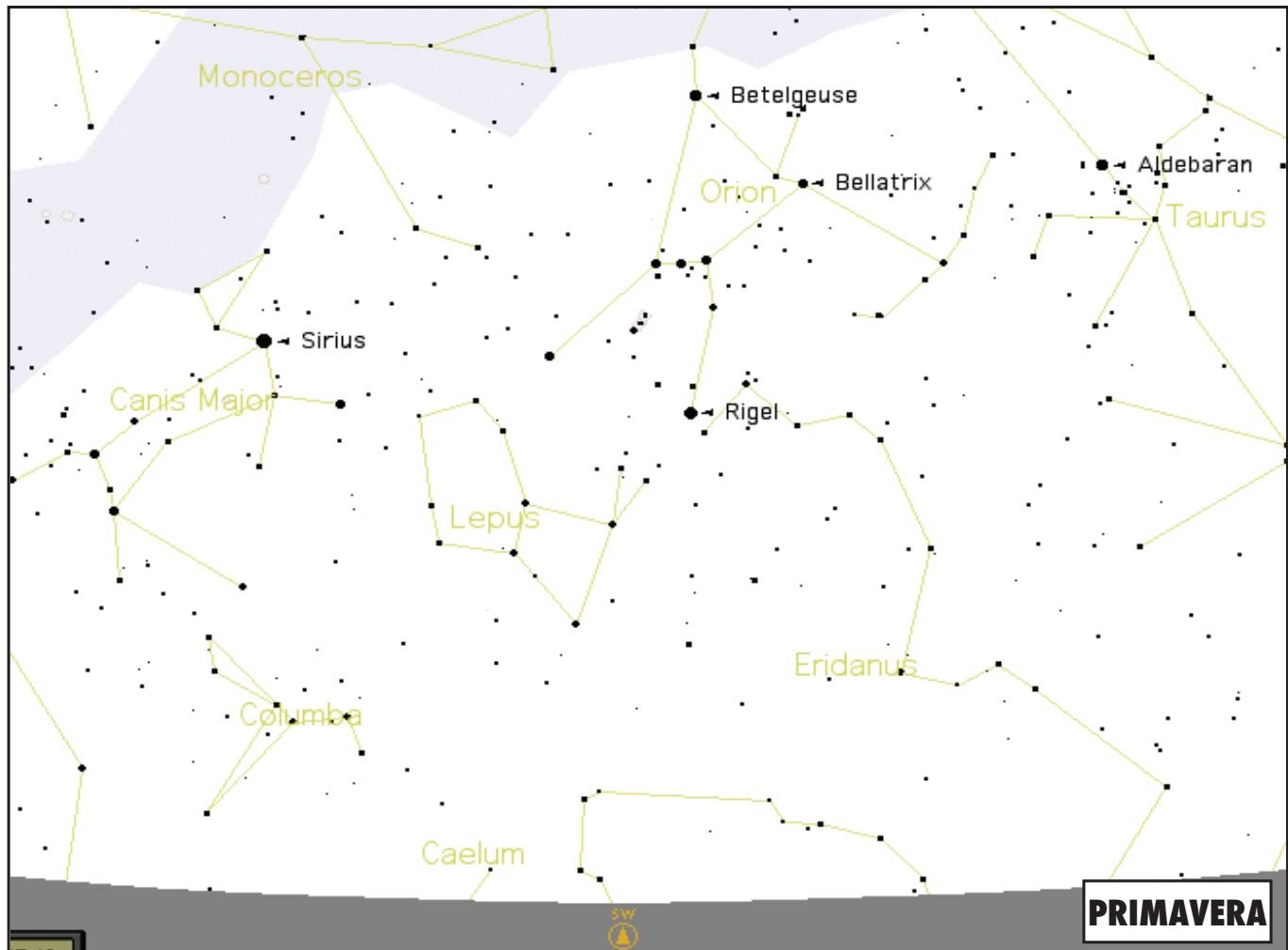
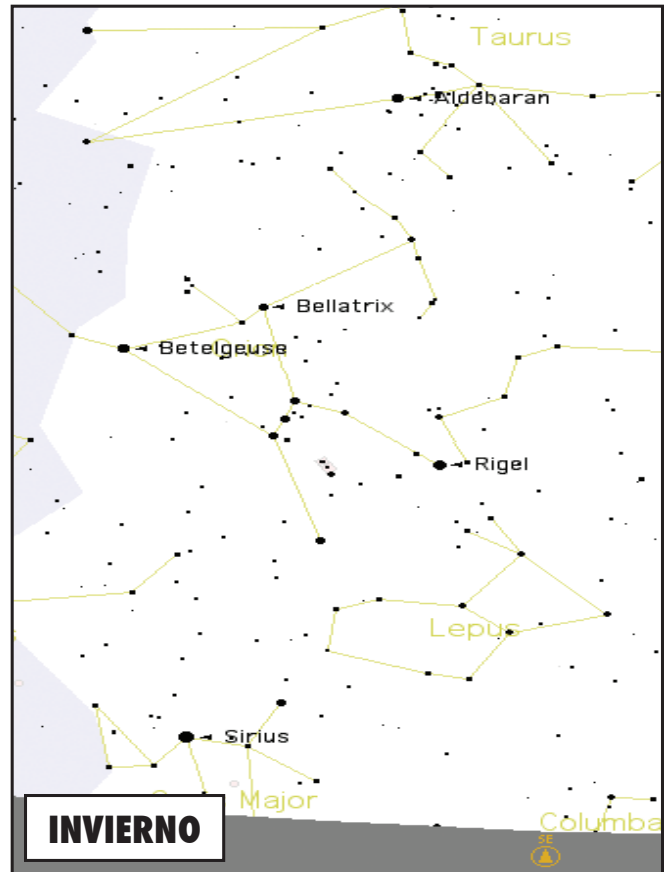
Para seleccionar la modalidad final, pulse ENTER cuando aparezca el pantalla:

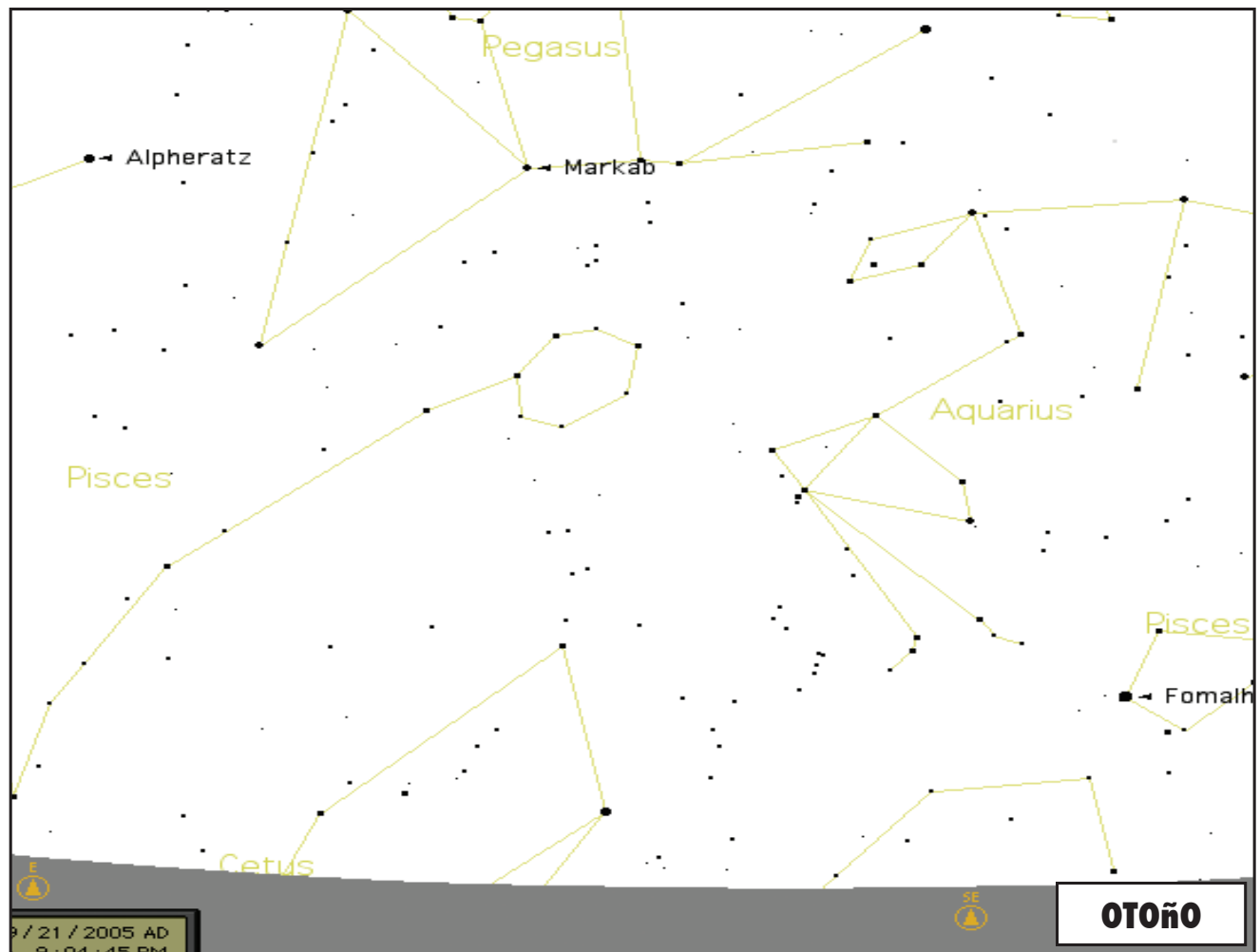
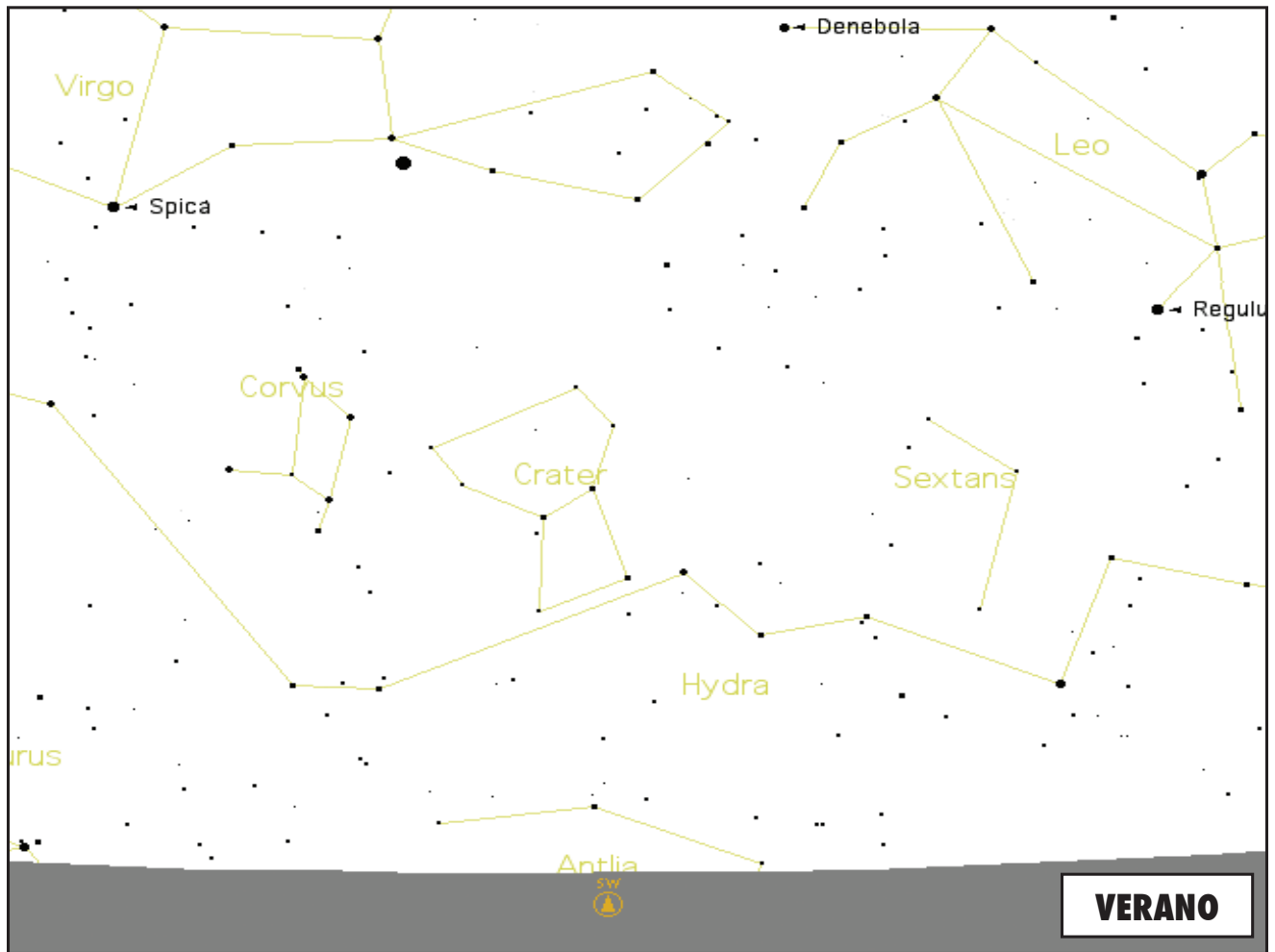
**SELECT MODE**  
**TELESCOPE ↑↓**

La pantalla presentará algo parecido a:

**RA18:53 DEC+38.7**  
**AZ280 ALT+62 LYR**

La modalidad de TELESCOPIO ofrece una información dinámica en tiempo real de la posición actual de su telescopio en términos de coordenadas astronómicas. Juegue con esta modalidad moviendo el telescopio a voluntad. Observe la abreviatura de tres letras que aparece en la esquina inferior derecha de la pantalla. Esto visualiza dinámicamente la CONSTELACIÓN actual a la que está apuntando el telescopio. Estos nombres se abrevian en esta modalidad. Las definiciones de las abreviaturas se pueden encontrar en el índice del catálogo.





# NOTAS

# GARANTÍA / REPARACIÓN

GARANTÍA /  
REPARACIÓN

## GARANTÍA LIMITADA PARA TODA LA VIDA DEL TELESCOPIO

Su telescopio Bushnell® está garantizado contra defectos de material y fabricación durante toda la vida del propietario original. La Garantía Limitada para Toda la Vida\* es una expresión de la confianza que tenemos en nuestros materiales y en la fabricación mecánica de nuestros productos, que le garantiza un servicio fiable durante toda la vida.

Si su telescopio contiene componentes eléctricos, dichos componentes electrónicos están garantizados de estar libres de defectos de material y fabricación durante dos años a partir de la fecha de compra.

En caso de defectos bajo esta garantía, nosotros, a nuestra opción, repararemos o sustituiremos el producto siempre que lo devuelva con portes pagados. Esta garantía no cubre defectos causados por el uso indebido, ni por un manejo, instalación o mantenimiento del producto inapropiados o el mantenimiento hecho por otro que no sea un Centro de Servicio Autorizado de Bushnell.

Cualquier envío que se haga bajo garantía deberá venir acompañado por lo siguiente:

- 1) Un cheque/giro postal por la cantidad de 15 dólares para cubrir los gastos de manejo y envío
- 2) Nombre y dirección donde quiere que se le envíe el producto
- 3) Una explicación del defecto
- 4) Prueba de fecha de compra
- 5) El producto debe empaquetarse bien en una caja resistente para evitar que se dañe durante el transporte, y enviarse con portes pagados a la dirección que se muestra a continuación:

En EE UU, enviar a:  
Bushnell Outdoor Products  
Attn.: Repairs  
8500 Marshall Drive  
Lenexa, Kansas 66214

En CANADÁ, enviar a:  
Bushnell Outdoor Products  
Attn.: Repairs  
25A East Pearce Street, Unit 1  
Richmond Hill, Ontario L4B 2M9

En el caso de los productos comprados fuera de los Estados Unidos o Canadá, llame al distribuidor local para la información pertinente sobre la garantía. En Europa también puede llamar al:

BUSHNELL Performance Optics GmbH  
European Service Centre  
MORSESTRASSE 4  
D- 50769 KÖLN  
ALEMANIA  
Tél: +49 (0) 221 709 939 3  
Fax: +49 (0) 221 709 939 8

Esta garantía le ofrece derechos legales específicos.  
Puede que tenga otros derechos que varían de un país a otro.  
©2007 Bushnell Outdoor Products

### Nota de la FCC:

Este equipo ha sido sometido a pruebas y cumple con los límites establecidos para un aparato digital de Clase B, de acuerdo con la Parte 15 del Reglamento de la FCC. Estos límites están diseñados para proporcionar protección razonable contra interferencias perjudiciales en una instalación residencial. Este equipo genera, emplea y puede irradiar energía de radiofrecuencia y, si no se instala y utiliza de acuerdo con las instrucciones, puede causar interferencia perjudicial a las radiocomunicaciones. Sin embargo, no garantizamos que no ocurrirán interferencias en una instalación en particular. Si este equipo causa interferencias perjudiciales a la recepción radial o televisiva, situación que puede determinarse apagando y encendiendo el equipo, se sugiere al usuario que trate de corregir tal interferencia mediante uno o más de las siguientes medidas:

- Reorientar o relocalizar la antena receptora.
- Incrementar la separación entre el equipo y el receptor.
- Conectar el equipo a un tomacorriente en un circuito diferente al que está conectado el receptor.
- Consultar con el concesionario o un técnico experimentado en radio/televisión solicitándole asistencia.

Con este equipo se debe usar un cable de interfaz blindado para cumplir con los límites para un aparato digital de acuerdo con la Subparte B de la Parte 15 del Reglamento de la FCC.



Las especificaciones y diseños están sujetos a cambios sin ningún aviso u obligación por parte del fabricante.

# DEUTSCH

Herzlichen Glückwunsch zum Kauf Ihres Bushnell Discoverer Teleskops mit Sprachausgabe! Dies ist eines der ersten Teleskope überhaupt, bei dem Sie Wissenswertes über den Nachthimmel anhören können. Sie haben mit dieser Eigenschaft jederzeit Ihren persönlichen Astronomieassistenten zur Hand.

Nach dem Lesen dieses Handbuches und der auf diesen Seiten beschriebenen Vorbereitungen auf Ihre Himmelsbeobachtung, können Sie die Sprachausgabe genießen, in dem Sie folgendermaßen vorgehen:

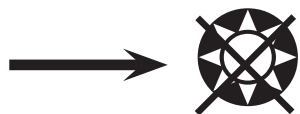
Um Ihr Teleskop zu aktivieren, schalten Sie es einfach ein! Die Sprachausgabe ist in der Fernsteuerung eingebaut.

Während des Einstellvorgangs gibt Ihnen die Sprachausgabe des Teleskops verschiedene, nützliche Hinweise. Nach der Einstellung können Sie die Sprachausgabe hören, wenn Sie die Entertaste drücken, wenn der Name oder die Hummer eines Objekts am unteren Rand des LCD Displays angezeigt wird. Diese Gegenstandsbeschreibung wird vom Teleskop gesprochen, wenn Sie den Anzeigetext ablaufen lassen.

Wenn Sie die Sprachausgabe abschalten wollen, drücken Sie die Taste "Back" auf der Fernsteuerungstastatur.

Wir hoffen, dass Ihnen dieses Teleskop über lange Jahre viel Freude bereitet!

## DISCOVERER



**VORSICHT: BLICKEN SIE NIE MIT DEM  
TELESKOP IN DIE SONNE**

**SIE LAUFEN GEFAHR, SICH EINE SCHWERE  
AUGENVERLETZUNG ZUZUZIEHEN**

## WO SOLL ICH ANFANGEN?

Ihr Bushnell Teleskop zeigt Ihnen die Wunder des Universums. Dieses Handbuch wurde dazu geschaffen, Ihnen beim Einstellen und beim Grundgebrauch dieses Instrumentes zu helfen, es kann jedoch nicht alles schildern, was Sie über Astronomie wissen möchten. Obwohl Ihnen Discoverer eine beachtliche Reise durch den Nachthimmel verschafft, empfehlen wir, dass Sie sich eine einfache Sternkarte und eine Taschenlampe mit einer roten Birne oder einer roten Kunststoff-Folie über dem Reflektor zulegen. Für andere Objekte außer Sternen und Konstellationen, brauchen Sie unbedingt auch einen Astronomieführer. Einige empfohlene Literaturquellen finden Sie auf unserer Webseite [www.bushnell.com](http://www.bushnell.com). Diese Webseite bringt auch aktuelle Tagesereignisse am Himmel und Betrachtungsvorschläge. Einige Objekte, die Sie ständig sehen können, sind folgende:

**Mond** —Die wunderschönen Ansichten unseres Mondnachbarn können mit jeder Vergrößerung genossen werden. Versuchen Sie, die verschiedenen Mondphasen anzusehen. Die Mondgebirge, die Mondmeere (Tiefebenen genannt "Meere" wegen ihrer dunklen Farbe), Krater, Kämme und Berge werden Sie verblüffen.

**Saturn**—Sogar mit der geringsten Vergrößerung sollen Sie imstande sein, die Ringe des Saturns und seine Monde zu sehen. Saturn ist einer der schönsten Objekte im Sternhimmel, einfach, weil er genau so aussieht, wie auf seinen Abbildungen. Stellen Sie sich vor, selbst in Ihrem Garten zu sehen, was Sie aus Lehrbüchern oder Bildern der NASA kennen!

**Jupiter**—Der größte Planet in unserem Sonnensystem ist sensationell. Die bekanntesten Eigenschaften sind seine dunklen Streifen oder Bänder sowohl oberhalb als auch unterhalb seines Äquators. Es sind die Nord- und Süd- Äquatorialringe. Interessant sind auch die vier Hauptmonde des Jupiters. Beobachten Sie sie mehrere Nächte lang genau. Sie scheinen, auf beiden Seiten des Jupiters aufgereiht zu sein.

**Mars**—Der Große Rote Planet erscheint als eine rötlich-orangefarbene Scheibe. Sehen Sie sich ihn zu verschiedenen Jahreszeiten an und versuchen Sie, seine weißen Polareiskappen einzufangen.

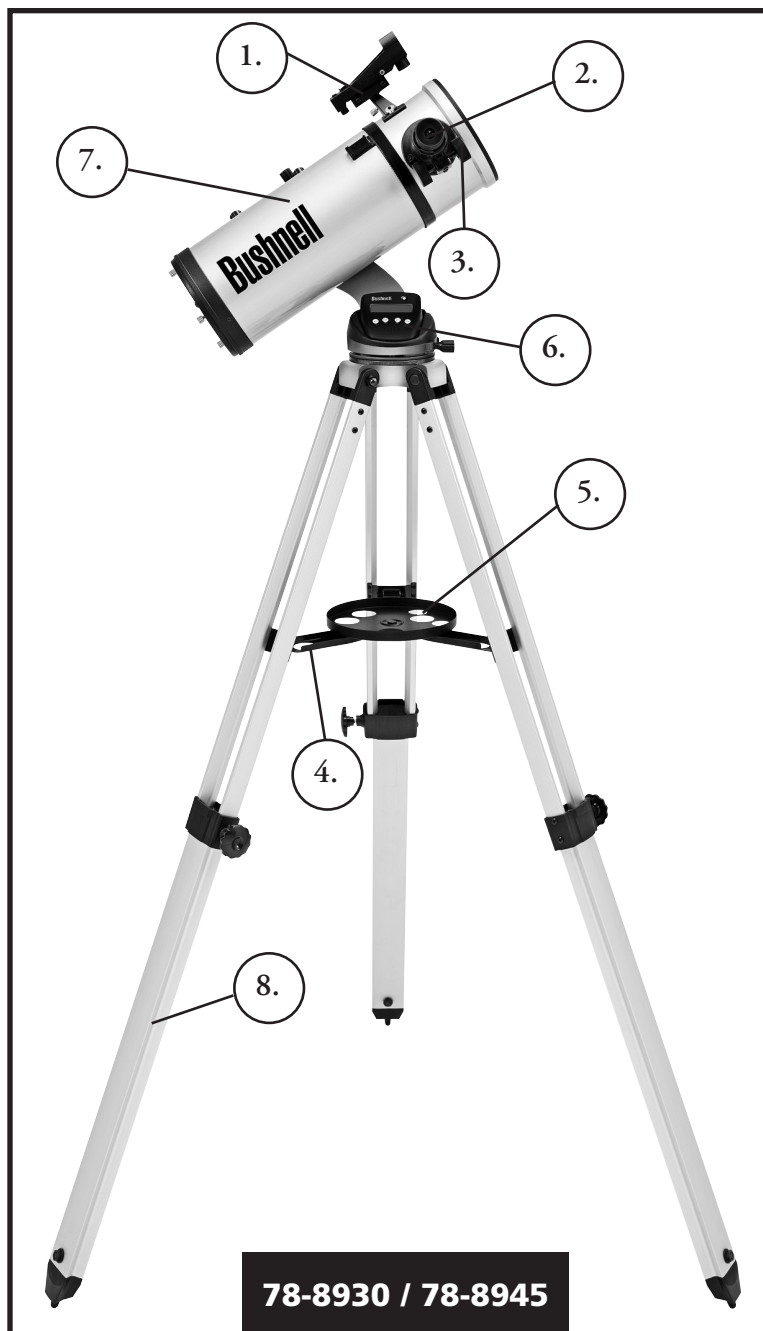
**Venus**—Genau wie der Mond ändert Venus ihre Phasen Monat für Monat. Manchmal erscheint Venus glänzend im Nachthimmel, so als wenn Sie einen entfernten zunehmenden Mond ansehen.

**Nebulöse**—Der Große Orion Nebelfleck ist ein sehr gut bekanntes Nachthimmelsobjekt. Dieses und viele andere werden dank dieses Teleskops sichtbar.

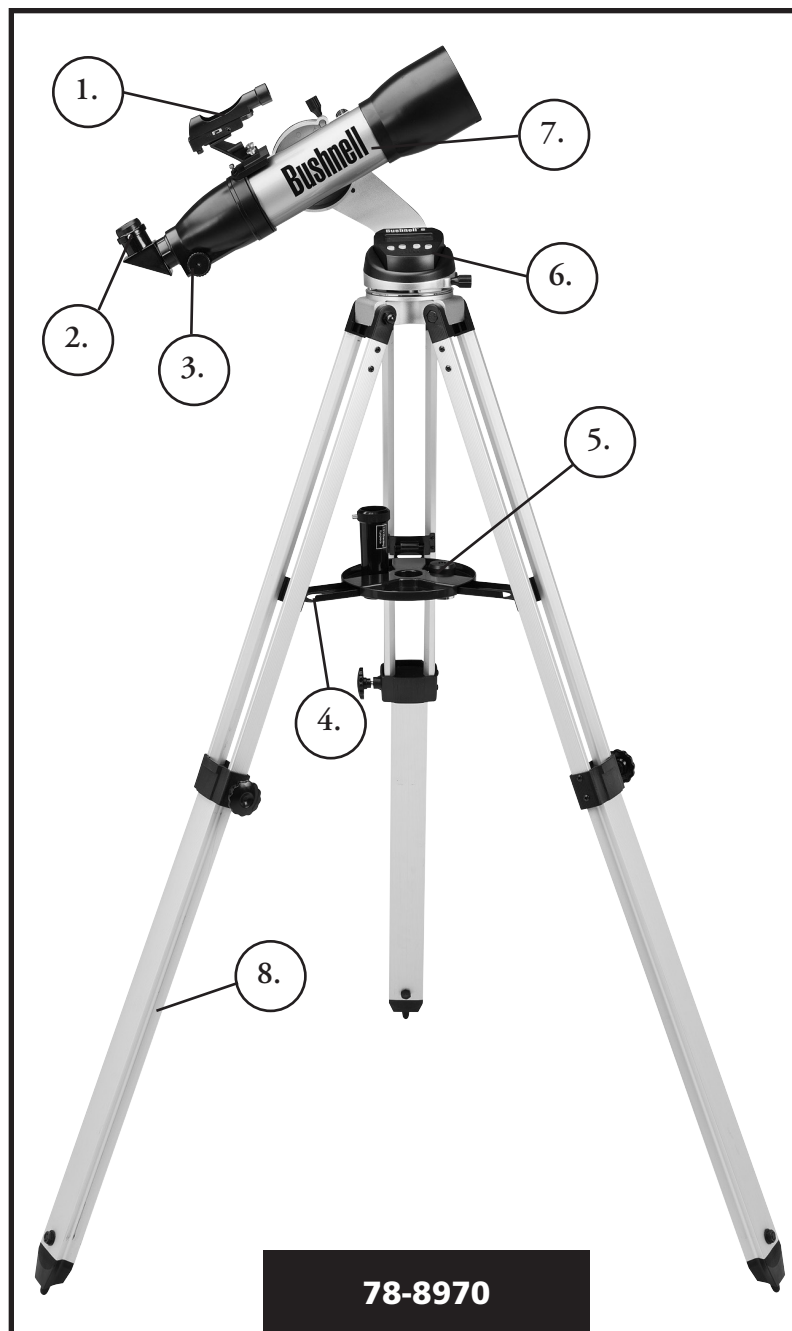
**Sternhaufen**—Ansicht von Millionen von zu einer Traube zusammengedrängten Sternen, die einer Kugel ähnelt.

**Galaxien**—Eine der größten und interessantesten Galaxien ist unser Nachbar die Andromeda Galaxie. Genießen Sie sie und viele andere.

## TEILE DIAGRAMM



78-8930 / 78-8945



78-8970

### Teleskop-Teile-Diagramm

- |                                       |                                 |
|---------------------------------------|---------------------------------|
| 1. Rotpunkt Suchfernrohr              | 6. Schnelleinstell-Ablageplatte |
| 2. 1,25" Okular                       | 7. Computer Fernsteuerung       |
| 3. Zahngetriebe Fokussier-Mechanismus | 8. Teleskop Hauptrohr           |
| 4. Zusatzgeräte Ablageplattenstrebe   | 9. Aluminium Stativ             |



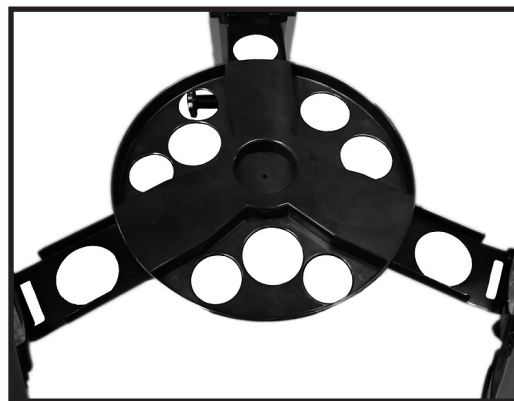
## SCHNELLZUSAMMENBAU

78-8970 / 78-8930 / 78-8945



Die Befestigungsschrauben am Teleskoprohr durch die Bohrungen in der Rohrhalterung drücken (zuerst die gerändelten Muttern abnehmen); anschließend die gerändelten Muttern anbringen und festziehen, um das Rohr zu befestigen.

78-8970 / 78-8930 / 78-8945



Die schnell lösbare Zubehörablage leicht auf die Nabe im Mittelpunkt der Ablagenhalterung drücken.

### TEILELISTE

- Einstellbares Aluminiumstativ (mit eingebautem Discoverer Sternlokalisierungs-Computer)
- Schnelleinstell-Ablageplatte
- Discoverer Teleskop mit Flügelmuttern
- Okulare (2)
- Rotpunkt Laserlicht Suchfernrohr
- Barlow Linse (Reflektor)
- Diagonalspiegel (788970 Linsenteleskope)

## ZUSAMMENBAUANLEITUNG

Zum Zusammenbau Ihres Teleskops werden keinerlei Werkzeuge benötigt.

Nehmen Sie alle Bestandteile aus dem Karton und identifizieren Sie sie. Es ist eine gute Idee, vor dem Zusammenbau alle Teile vor Ihnen auszulegen. Ihr Teleskop ist ein optisches Präzisionsgerät, d.h. Sie müssen seine Teile vorsichtig behandeln; insbesondere den integrierten Computer, das Teleskop, die Okulare und die verschiedenen Zusatzlinsen.

### MONTIERUNG VON STATIV- UND ABLAGEPLATTE

1. Discoverer Sternlokalisierungs-Computer und daran befestigte Stativbeine senkrecht aufstellen. Stativ-Beine auf eine stabile und bequeme Entfernung aufspreizen.
2. Stützen des Ablagebretts herunterklappen und Schnelleinstell-Ablageplatte auflegen. (Siehe Schnellzusammenbauschema)
3. Ablageplatte drehen, bis sie einschnappt.
4. Stativhöhe entsprechend Ihrer Körpergröße einstellen indem die Beinhöhenverstellungs-Feststellhebel geöffnet und die Beine auf die gewünschte Höhe eingestellt werden.

### TELESKOPROHR ANBRINGEN

1. Teleskop Hauptrohr zur Hand nehmen.
2. Teleskoprohr Flügelmuttern von der Teleskoprohrseite entfernen.
3. An der Oberseite des Discoverer Sternlokalisierungs-Computers, die Teleskop Hauptrohr Befestigungsschrauben durch die Teleskoprohrträger stecken (das Firmenzeichen am Teleskoprohr muss an der rechten Seite aufrecht stehen).
4. Nachdem Teleskop Hauptrohr und Discoverer Sternlokalisierungs-Computer zusammengebaut sind Teleskoprohr Flügelmuttern wieder auf die Teleskop Hauptrohr Befestigungsschrauben aufdrehen.

### TELESKOP-ZUBEHÖR ANBRINGEN

1. Rotpunkt Suchfernrohr zur Hand nehmen.

**HINWEIS:** Das breite Ende des Suchfernrohrs muss dem offenen Ende des Teleskoprohrs gegenüber liegen.

2. Okular mit der geringsten Vergrößerung anbringen.
3. Alle Zusammenbauschrauben gut anziehen.

### OKULARAUSWAHL

Sie sollten Ihre Beobachtungen immer mit dem Okular mit der geringsten Vergrößerung beginnen, in unserem Fall also mit dem 20 mm Okular. Hinweis: die Vergrößerung der Okulare wird von der Brennweite der Objektivlinse bestimmt. Mit der folgenden Formel kann die Vergrößerung der Okulare bestimmt werden:  $\text{Objektiv-Brennweite} / \text{Okularbrennweite} = \text{Vergrößerung}$  (Beispiel eines 20 mm Okulars an einem Fernrohrobjektiv mit 750 mm Brennweite:  $750 \text{ mm} / 20 \text{ mm} = 38\text{-fache Vergrößerung}$ . Die Brennweiten der Teleskopobjektive sind je nach Modell unterschiedlich.)

### (REFLEKTOR)

Diesem Teleskop liegt eine Barlow-Linse bei. Barlow-Linsen verdoppeln oder verdreifachen die Vergrößerung Ihres Teleskops. Die Barlow Linse muss zwischen dem Fokussierrohr-Ende und Okular angebracht werden. In obigem Beispiel würde Ihre 3-fach Barlow-Linse einen Gesamtvergrößerungsfaktor von 114 ergeben. ( $38 \times 3 = 114x$ ). Die Vergrößerungs-berechnung mit der 3-fach Barlow-Linse würde also sein:  $750 \text{ mm} / 20 \text{ mm} = 38$ .  $38 \times 3 = 114$ , was auch als Teleskopleistung bezeichnet wird.

## ZUSAMMENBAUANLEITUNG FORTSETZUNG

### SCHARFEINSTELLUNG DES TELESKOPS

1. Nach dem Einbau des Okulars mit der größten Brennweite (also 20 mm), richten Sie das Hauptteleskop bei Tageslicht auf ein mindestens 200m entferntes Objekt auf der Erdoberfläche (z.B. auf einen Telefon- oder Stromnetzmasten oder auf ein Gebäude).
2. Fahren Sie nun den Zahnradgetriebe-Fokussiermechanismus komplett aus.
3. Während Sie durch das Okular blicken, drehen Sie den Zahnradgetriebe-Fokussiermechanismus langsam soweit zurück, bis das Objekt scharf erscheint.

### ANBAU DER COMPUTERSTEUERUNG

1. Nehmen Sie die Computerfernsteuerung mit ihrem Kabel zur Hand.
2. Suchen Sie das Batteriefach des Discoverer Sternlokalisierungs-Computers.
3. Öffnen Sie das Batteriefach, schließen Sie die 9V Batterie an und legen Sie sie ins Batteriefach.
4. Schließen Sie das Batteriefach wieder.
5. Verbinden Sie die Computerfernsteuerung mit dem Discoverer Sternlokalisierungs-Computer.

### JUSTIEREN DES SUCHFERNROHRS

Visieren Sie, wie oben bei der Scharfstellung beschrieben, ein gut sichtbares Ziel durch das Teleskop an.

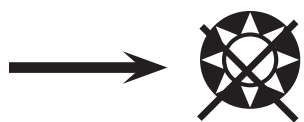
Am Rotpunkt Suchfernrohr sehen Sie eine Kunststoffflasche am Batteriefach. Sie dient vor Inbetriebnahme des Geräts als Batterieschutz.

Ziehen Sie die Lasche heraus, damit die Batterie den Suchlaser mit Strom versorgen kann.

Schalten Sie das Rotpunkt Suchfernrohr ein.

Schauen Sie nun durch das Suchfernrohr und verdrehen Sie die Stellschrauben so, dass der rote Lichtpunkt genau in der Mitte des Zielobjekts liegt, das Sie vorher mit dem Teleskop anvisiert haben.

Damit sind Suchfernrohr und Teleskop justiert und Sie können den Suchlaser wieder abschalten.



**VORSICHT: BLICKEN SIE NIE MIT DEM  
TELESKOP IN DIE SONNE**

**SIE LAUFEN GEFAHR, SICH EINE SCHWERE  
AUGENVERLETZUNG ZUZUZIEHEN**

## GENIESSEN SIE IHR NEUES TELELSKOP

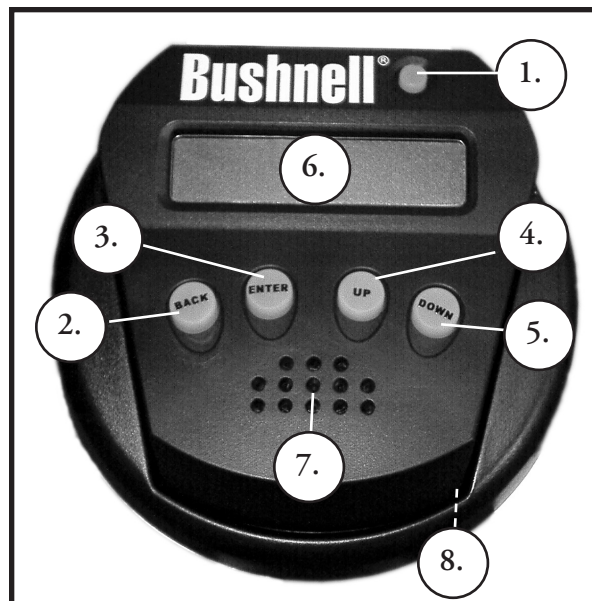
1. Bestimmen Sie zuerst Ihr Zielobjekt. Jeder helle Gegenstand im Nachthimmel ist ein guter Ausgangspunkt. Aber einer der Lieblingsausgangspunkte der Astronomie ist der Mond. Er ist ein Objekt, das jedem angehenden Astronomen und jedem erfahrenen Veteran immer wieder Freude bereitet. Wenn Sie mit Ihrem Teleskop etwas vertrauter sind, gibt es noch viele andere Objekte als interessante Ziele. Saturn, Mars, Jupiter, und Venus sind beispielsweise hervorragend zur Beobachtung in klaren Nächten geeignet.
2. Als erstes sollten Sie am Nachthimmel Ihre Suchfernroh-Justierung überprüfen. Stellen Sie das Fadenkreuz des Suchfernrohrs auf einen hellen Stern ein und blicken Sie dann mit dem am wenigsten vergrößernden Okular (d.h. jenes mit der längsten Brennweite bzw. der größten aufgedruckten Zahl) durch das Teleskop. Wenn Ihre Justierung mit dem Suchlaser nicht allzu schlecht war, müssten Sie eigentlich den Stern nun auch im Teleskop sehen. Widerstehen Sie der Versuchung, nun gleich zum Okular mit der stärksten Vergrößerung zu greifen. Das Okular mit der geringsten Vergrößerung hat ein größeres Sehfeld und liefert ein helleres Bild. Es ist also leichter, mit ihm das gesuchte Objekt zu finden und gegebenenfalls eine Korrektur der Suchfernrohreinstellung vorzunehmen. Eine gute Suchfernrohrjustierung ist sehr wichtig, spart Ihnen Ärger und kostbare Zeit, die Sie besser zur Erforschung des Weltraums verwenden können.
3. Die wenig vergrößernden Okulare sind perfekt, um den vollen Mond, die Planeten, Sternhaufen, Nebulöse und sogar Konstellationen anzusehen. Diese sollen Ihre Grundlage sein. Um die Details genauer zu erforschen, können Sie versuchen, einige dieser Objekte in Vergrößerung mit stärkeren Okularen zu besichtigen. In windstillen und klaren Nächten ist die Betrachtung der hell / dunkel Trennungslinie auf dem Mond ("Terminator" genannt) mit großer Vergrößerung, d.h. höherer Auflösung ein Erlebnis. Bedingt durch die kontrastreiche Beleuchtung von der Sonne, springen Ihnen Berge, Kämme und Krater förmlich entgegen. In ähnlicher Weise können Sie nach und nach auch Planeten und Sternnebel mit höheren Vergrößerungen angehen. Sternanhäufungen und individuelle Sterne werden am besten mit schwach vergrößernden Okularen betrachtet.
4. Dieses wiederkehrende, astronomische Theater, das wir den Nachthimmel nennen, ist eine sich ständig verändernde Anschlagtafel. Mit anderen Worten heißt das, dass hier nicht ständig derselbe Film gespielt wird. Die Stellungen der Sterne ändern sich nicht nur stündlich mit Aufgang und Untergang, sondern auch im Laufe des Jahres. Da die Erdbahn um die Sonne verläuft, ändert sich unsere Perspektive der Sterne auf dem alljährlichen Kreislauf in dieser Bahn. Der Grund weswegen sich der Himmel täglich wie Sonne und Mond bewegt ist, dass die Erde um ihre Achse rotiert. Sie werden daher bemerken, dass, abhängig von der gewählten Vergrößerung, nach ein paar Minuten oder sogar schon nach ein paar Sekunden, sich die Objekte in Ihrem Teleskop bewegen. Bei höherer Vergrößerung werden Sie bemerken, dass der Mond oder Jupiter direkt aus dem Sehfeld zu rennen scheint. Um diese Erdbewegung zu kompensieren, muss die Nachlaufsteuerung (auch "Tracking" genannt) auf der entsprechenden Bahn am Teleskop eingeschaltet werden.

## NÜTZLICHE HINWEISE

1. Ihr Teleskop ist ein sehr empfindliches Instrument. Für beste Ergebnisse und weniger Vibrationen sollten Sie Ihr Teleskop auf einer horizontalen Erdbodenoberfläche und nicht auf einer Betonfahrbahn oder einer Holzplattform aufstellen. Dadurch erhalten Sie einen stabileren Untergrund für Ihre Himmelsbetrachtungen, insbesondere wenn sich eine Menschenmenge um Ihr neues Teleskop herum versammelt hat.
2. Machen Sie Ihre Himmelsforschungen möglichst an einem Ort, an dem sich relativ wenig Beleuchtungen befinden. Hier können Sie dann auch wesentlich weniger helle Himmelsobjekte sehen. Sie werden überrascht feststellen, dass Sie beispielsweise an einem dunklen See oder in einem dunklen Park wesentlich mehr Details am Himmel sehen, als in einem Hof in der Stadt.
3. Himmelsbetrachtungen aus einem Fenster sind NIE zu empfehlen.
4. Richten Sie Ihr Teleskop möglichst auf Objekte, die hoch am Himmel stehen. Wenn Sie warten bis das Objekt genügend hoch am Himmel aufgestiegen ist, erhalten Sie ein helleres und schärferes Bild. Gegenstände in der Nähe des Horizonts werden zwangsläufig durch mehrere unterschiedlich brechende Luftschichten der Erdatmosphäre hindurch betrachtet. Haben Sie sich noch nicht gewundert, warum der Mond in Horizontnähe orangefarbig erscheint? Dies kommt daher, dass Sie ihn am Horizont durch eine wesentlich dickere Luftschicht hindurch beobachten, als wenn er in der Nähe des Zenits über Ihnen steht.  
(Hinweis: Wenn hoch am Himmel stehende Objekte verzerrt oder wellig erscheinen, befinden Sie sich wahrscheinlich in einer sehr feuchten Nacht.) Teleskopbetrachtungen in einer instabilen Atmosphäre können frustrierend oder sogar unmöglich sein. Astronomen bezeichnen trockene und klare Nächte als "Nights of good seeing" (klarsichtige Nächte).

## DISCOVERER COMPUTER SCHNITTSTELLENDIAGRAMM

1. Ein / Aus Taste
2. Rückwärts Taste
3. Enter Taste
4. Aufwärts Scroll Taste
5. Abwärts Scroll Taste
6. LCD Display
7. Lautsprecher (Real Voice Output - Stimmwiedergabe)
8. Batteriedeckel (nicht abgebildet - befindet sich auf dem Sockel unter der Steuereinheit)



## TASTENFUNKTIONEN

**Zur besseren Erkennbarkeit in der Dunkelheit sind alle Tasten beleuchtet.**

**Ein / Aus Taste:** Die Ein / Aus Taste schaltet den Discoverer Sternlokalisierungs-Computer ein und aus. Zum Ausschalten des Computers müssen Sie diese Taste drei Sekunden lang gedrückt halten. (Hinweis: Der Discoverer Sternlokalisierungs-Computer schaltet sich bei Nichtgebrauch automatisch nach 10 Minuten ab)

**Back Taste:** Dieser Taste bewirkt die Rückkehr zum vorhergehenden Menüpunkt und / oder die Rückkehr zum vorherigen Eingangsniveau. Wenn Sie die Sprachausgabefunktion abstellen möchten, könne Sie dies durch Drücken der "Back" Taste an der Fernsteuerungstastatur bewerkstelligen.

**ENTER Taste:** Mit dieser Taste werden die angezeigten Menüpunkte ausgewählt vorgenommen. Durch Drücken der ENTER-Taste geht Discoverer zum ausgewählten Niveau. Wenn ein Objekt-Name oder eine -Nummer auf dem Bildschirm erscheint, kann die ENTER-Taste auch gedrückt werden, um eine gesprochene Beschreibung zu hören und eine ablaufende bzw. scrollende Text-Beschreibung des Objekts am Display anzeigen zu lassen.

**Scroll Up Taste:** Diese Taste bewirkt den Ablauf der Discoverer-Menüs von unten nach oben. Immer, wenn Sie zu einer blinkenden Text- oder Nummern Option kommen, zeigt die Scroll-Taste die verschiedenen Wahlmöglichkeiten innerhalb dieses Menüs an. (Hinweis: Um die Option auszuwählen, die gerade angezeigt ist, drücken Sie die ENTER-Taste.)

**Scroll Down Taste:** Diese Taste bewirkt den Ablauf der Discoverer-Menüs von oben nach unten. Immer, wenn Sie zu einer blinkenden Text- oder Zahlen-Option kommen, zeigt die Scroll-Taste die verschiedenen Wahlmöglichkeiten innerhalb dieses Menüs an. (Hinweis: Um die Option auszuwählen, die gerade angezeigt ist, drücken Sie die ENTER-Taste.)

## LCD DISPLAY

Das Liquid Crystal Display (LCD) hat zwei Zeilen zu je 16 Zeichen und ist genau wie die Tasten beleuchtet, damit es auch bei Dunkelheit gut ablesbar ist.

## MODUS ÜBERBLICK DES INSTRUMENTS

- Explorieren:** Mit dem Discoverer Explorier-Modus können verschiedenartige, astronomische, als Objekt-Typen kategorisierte Objekte erforscht werden. Diese Objekte fallen unter eine oder mehrere der folgenden Objekt-Typen: Deep Sky (Universum außerhalb unseres Planetensystems), Planeten, Konstellationen und Sterne. Jeder dieser Untertitel hat in seiner Menüstruktur weitere Objekt-Unterkategorien. (Siehe die Gesamtliste der Menüfunktionen und Optionen in der Menü-Baumstruktur).
- Sky Tour:** Der Discoverer Sky-Tour Modus bietet die Möglichkeit, in jedem Monat des Jahres eine optische Reise zu den interessantesten und hellsten Objekten zu unternehmen. Nachdem das Datum ins System eingegeben wurde, wird der Sky-Tour Modus des betreffenden Monats automatisch aufgerufen. Durch Vorwärts- und Rückwärts-Scrollen im Menü mit den Pfeiltasten können Objekte gewählt werden, wenn anschließend die ENTER Taste gedrückt wird. Genaue Informationen über jedes der angegebenen Objekte erhalten Sie, wenn Sie die ENTER-Taste drücken, während das Objekt im Display steht.
- Teleskop:** Der Discoverer Teleskop Modus liefert astronomische Echtzeitdaten des Punktes auf den das Teleskop gerichtet ist. Astronomische Koordinaten für geradlinige Aszension (RA) und Deklination (DEZ) sowie auch die Höhe (ALT) und den Azimut (AZ) werden gleichzeitig gezeigt. Außerdem, wird in der rechten, unteren Ecke des Displays die Abkürzung der aktuell betrachteten Konstellation angezeigt, auf die das Teleskop gerichtet ist.
- Identify:** Der Discoverer Identifizierungs- Modus bietet die Möglichkeit, alle Objekte im Sehfeld Ihres Teleskops zu identifizieren. Hier finden Sie auch Unterkategorien für verschiedene Klassen identifizierbarer Objekte und die Option "Identify Any" zur Feststellung beliebiger Identitäten.
- Align Star:** Der Discoverer Stern-Ausrichtmodus bietet die Möglichkeit, das Teleskop anhand einiger weniger astronomischer Kenntnisse auszurichten. Wenn Sie wissen, wo sich zwei Sterne am Himmel befinden, können Sie mithilfe der Discoverer-Datenbank auch als Einsteiger schnell erstaunliche astronomische Objekte orten.



## ERSTMALIGE DISCOVERER AUSRICHTUNG

(HINWEIS: Vergewissern Sie sich, dass das Teleskop auf einer ebenen Fläche steht.)

### SCHRITT 1:

Entfernen Sie die Fernsteuerung vor dem Einschalten des Teleskops. Wenn Sie das Teleskop einschalten, hören Sie eine gesprochene Nachricht, während die Textanzeige am Display abläuft:

#### **BUSHNELL DISCOVERER Vx.x**

Dann erscheint das Hauptmenü:

**SELECT MODE**  
**ALIGN STAR ↑↓**

Die ALIGN STAR Option blinkt.

ENTER drücken, um ALIGN STAR zu wählen.

HINWEIS: JEDES BLINKEN DER ANZEIGE IST EINE MENÜWAHL. ANDERE AUSWAHLMÖGLICHKEITEN KÖNNEN MIT DEN AUFWÄRTS- ODER ABWÄRTS-SCROLL TASTEN AUFGERUFEN WERDEN.

Am Display erscheint CENTER STAR 1 - THEN PRESS ENTER (Teleskop auf Stern 1 ausrichten und dann ENTER drücken)

Zur Zentrierung Ihres Leitsterns wählen Sie einfach einen Ihnen bekannten Stern aus der Liste auf dem Bildschirm aus. Mit Star 2 wiederholen.

Die Steuerung wertet Ihre Handeinstellung aus und das Display meldet:

**ALIGN COMPLETE**  
**RATING \*\*\*\*\***

(Hinweis: Je genauer Ihre Handeinstellung war, desto mehr \* Sternchen erscheinen nach dem Wort RATING. Es können bis zu 5 sein.)

## ERSTE BEOBACHTUNGEN MIT DEM DISCOVERER

Nach ALIGN STAR, erscheint auf dem Display:

**SELECT MODE**  
**EXPLORE ↑↓**

Um EXPLORE auszuwählen, müssen Sie ENTER drücken. Scrollen Sie nach oben und unten, um zu sehen, welche Menüwahlmöglichkeiten Sie haben. Wählen Sie PLANETEN. Diese sind die interessantesten. Weil Sie das Teleskop zum ersten Mal benutzen, können Planeten sehr aufregende Objekte sein.

Drücken Sie ENTER, wenn in der Anzeige steht:

**EXPLORE**  
**PLANET**

Es erscheint nun eine Liste mit den derzeit sichtbaren Planeten. Mit den Aufwärts- oder Abwärts- Scroll Tasten können Sie mehrere Planeten aus der Objekt-Liste erforschen, z.B. den Jupiter

**PLANET**  
**JUPITER ↑↓**

Drücken Sie ENTER, um den Jupiter zu wählen. Das Display zeigt nun:

**PLANET**  
**←120 ↑52 JUPITER**

HINWEIS:  
WENN EIN OBJEKT UNTER DEM HORIZONT LIEGT, BLINKT AM DISPLAY DAS WORT "HORIZONT".

## ERSTE BEOBACHTUNGEN MIT DEM DISCOVERER FORTSETZUNG

Aufwärts- oder abwärts- scrollen, um andere PLANETEN in der Liste zu sehen. Die Anzeige zeigt Ihnen die Richtungen zu jedem Objekt. Was aber, wenn Sie ein Erstbenutzer sind, der mehr über das Objekt wissen will ? Wäre es nicht besser, mehr über das Objekt zu erfahren, bevor das Teleskop es ins Sehfeld bringt?

Wenn Sie in der Planeten-Anzeige sind, drücken Sie ENTER:

**PLANET**  
**←120 ↑52 JUPITER**

(genauso bei jedem anderen PLANETEN). Am Display erscheint nun eine Lauftextanzeige die Ihnen die Koordinaten dieses Objekts angibt, dessen Helligkeit, Größe, Name, Konstellations-Zugehörigkeit und eine Kurzbeschreibung. Für JUPITER wird z.B. das folgende angezeigt:

**JUPITER fifth planet from sun.**  
**Largest planet in solar system.**  
**16 moons. Orbit is 11.86 years.**  
**Diameter 143,000 km. Named for roman king of gods.**

Stellen Sie sich jetzt vor, dass Sie als Eltern ihre Kinder beeindrucken wolle (oder umgekehrt). Zehn Minuten nach Beginn Ihrer Amateur-Astronomen Laufbahn, lernen Sie bereits Einzelheiten astronomischer Objekte. Ist das nicht ein großartiges, pädagogisches Werkzeug ?

Durch Drücken der BACK Taste gelangen Sie zum vorherigen Menü zurück. Drücken Sie nun die BACK Taste dreimal und Sie sind wieder im Hauptmenü. Das Display zeigt:

**SELECT MODE**  
**EXPLORE ↑↓**

Scrollen Sie nach oben oder unten, bis erscheint:

**SELECT MODE**  
**SKY TOUR ↑↓**

Drücken Sie ENTER.

Dieser Modus führt Sie durch die besten und hellsten Objekte des jeweiligen Beobachtungsmonats. Wenn Sie die ALIGN STAR Ausrichtung wie oben geschildert durchgeführt haben und auch das aktuelle Datum eingegeben haben, bringt Ihnen das Sky Tour Programm die interessantesten astronomischen Objekte zum gegenwärtigen Zeitpunkt. Sie wissen nicht, was einige dieser obskuren Objekte und Abkürzungen bedeuten? Drücken Sie einfach die ENTER Taste und schon zeigt Ihnen der Discoverer Computer alle wissenswerten Informationen.

Drücken Sie die BACK Taste, bis Sie wieder im Hauptmenü sind:

**SELECT MODE**  
**SKY TOUR ↑↓**

Scrollen Sie nach oben oder unten, bis im Display erscheint:

**SELECT MODE**  
**IDENTIFY ↑↓**

Drücken Sie ENTER

Das Programm geht automatisch ins vorgesteuerte Untermenü

**IDENTIFY ANY**

Durch Wahl dieser Option mit der ENTER Taste, identifiziert der Computer das Objekt, das Sie zur Zeit ansehen ODER (falls kein Objekt im Teleskop ist) das dieser Himmelsposition am nächsten gelegene Objekt. Sie können aber auch noch andere IDENTIFY Optionen wählen, zu Beispiel die der aktuellen Teleskopstellung am nächsten gelegenen Sternhaufen, Sternnebel, usw.

## ERSTE BEOBACHTUNGEN MIT DEM DISCOVERER FORTSETZUNG

Damit kommen wir zum letzten Modus. Drücken Sie ENTER, wenn das Display anzeigt:

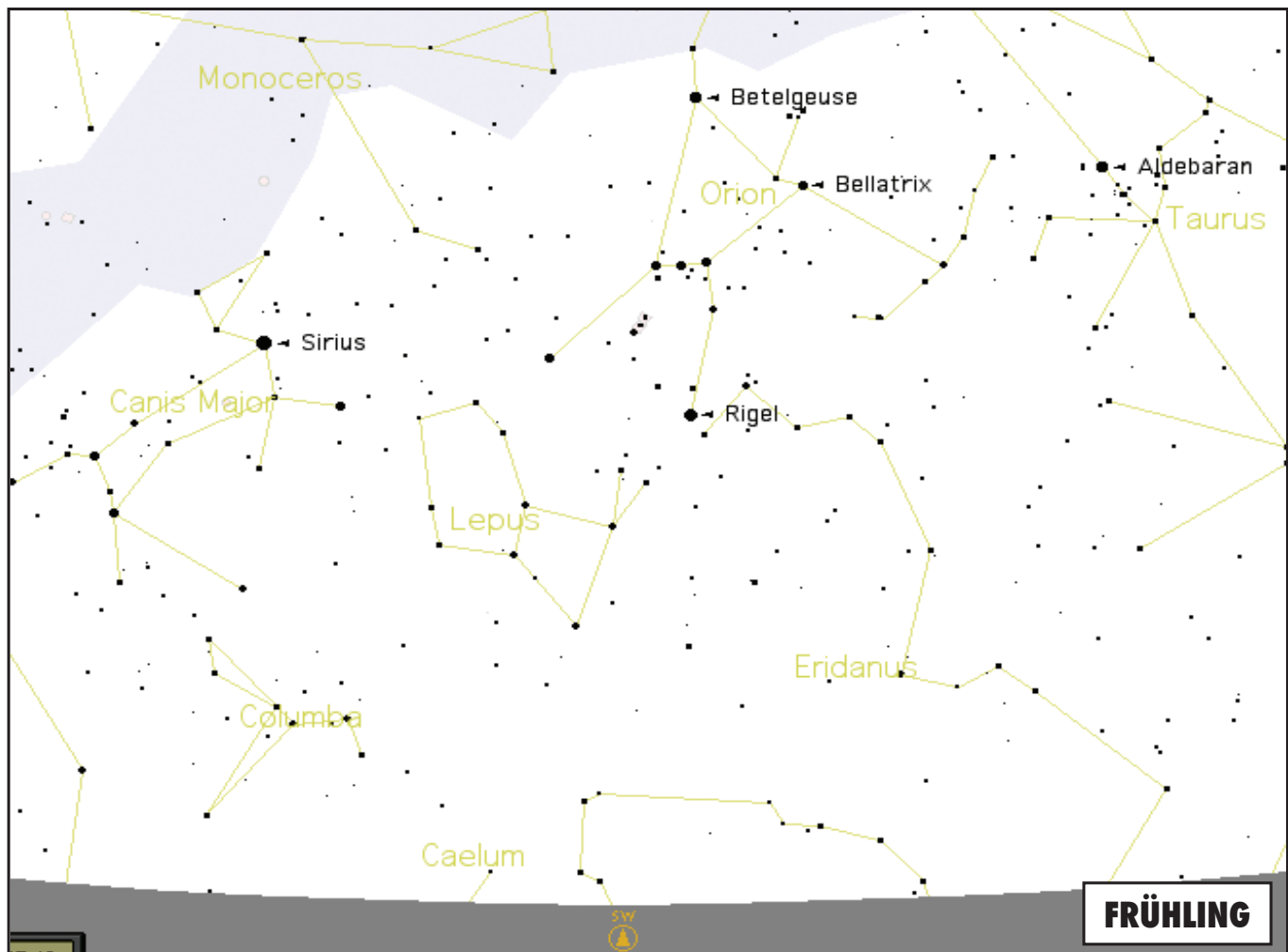
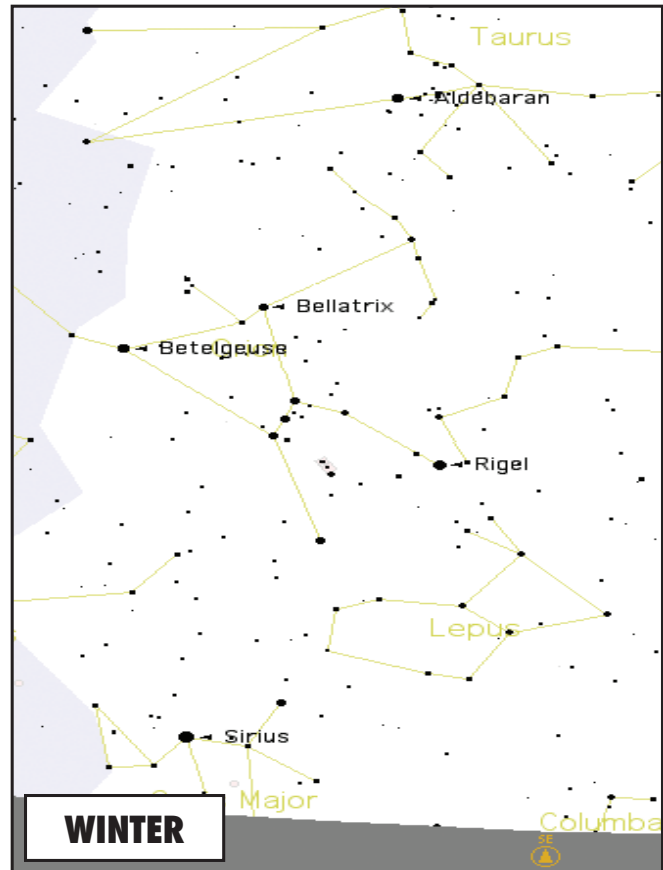
**SELECT MODE**  
**TELESCOPE ↑↓**

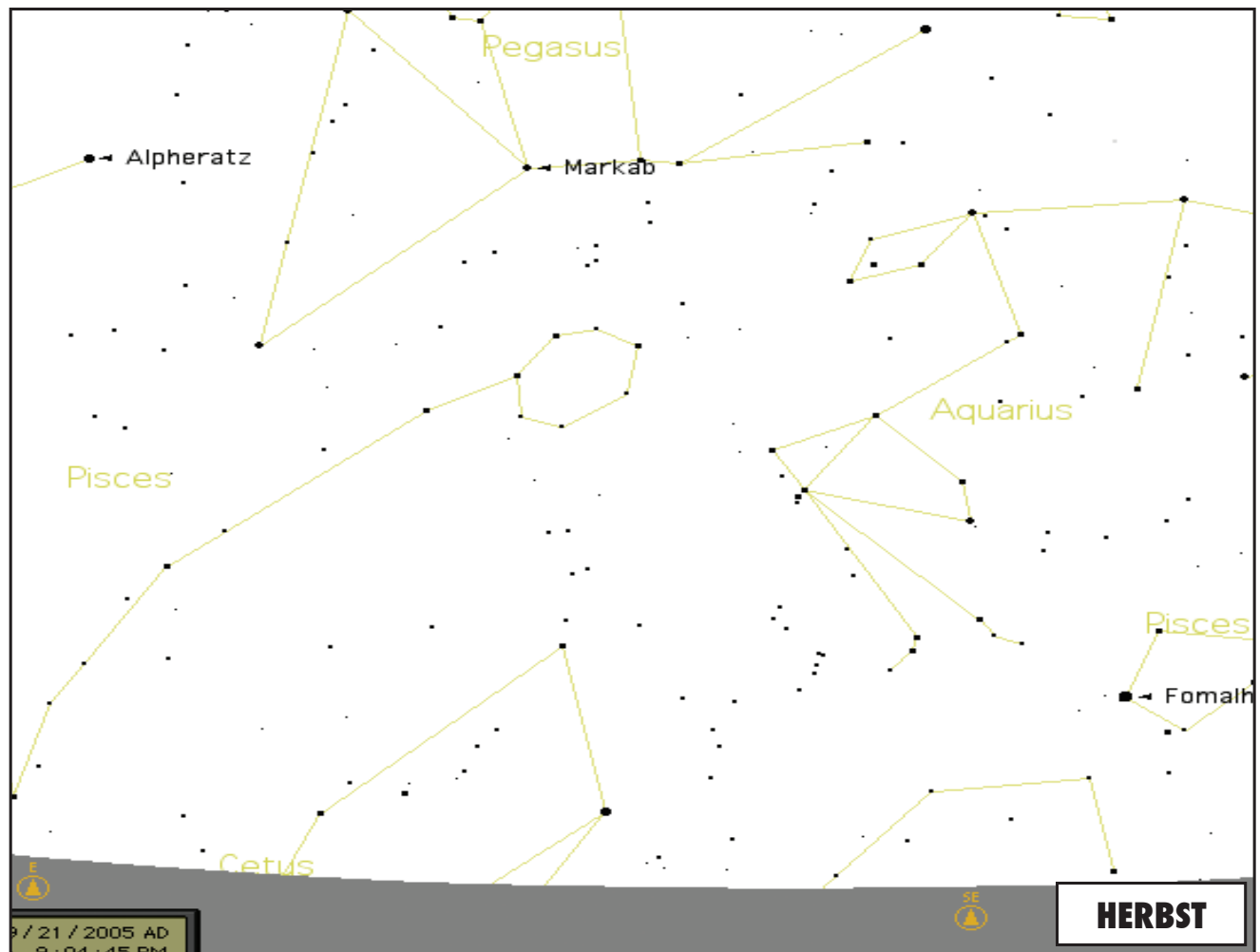
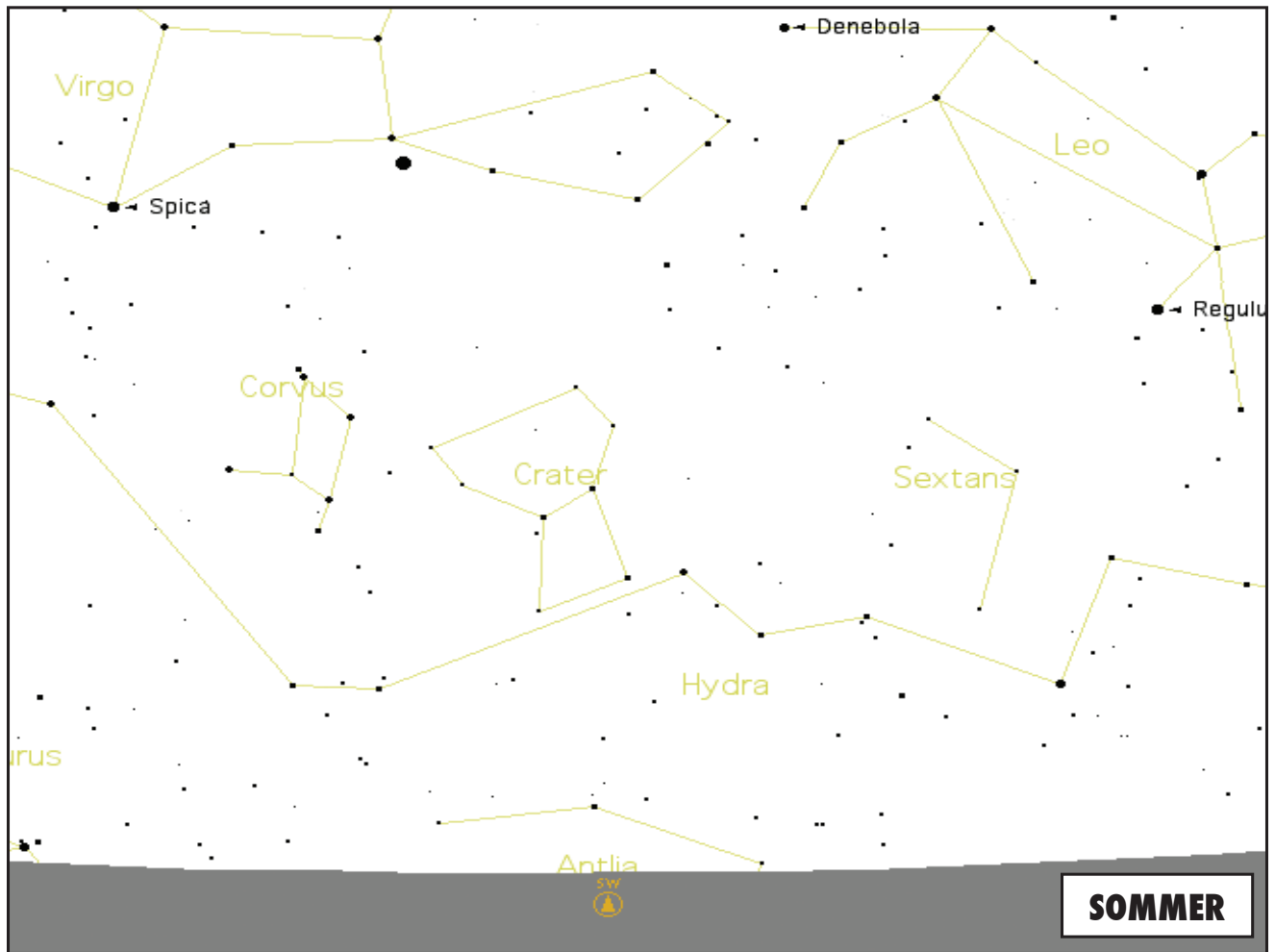
Nun erscheinen auf dem Display die folgenden Angaben:

**RA18:53 DEC+38.7**  
**AZ280 ALT+62 LYR**

Der Teleskop-Modus gibt Ihnen dynamische Echtzeitinformationen über die gegenwärtige Position Ihres Teleskops in Form von astronomischen Koordinaten. Amüsieren Sie sich mit diesem Modus in dem Sie das Teleskop bewegen.

Beachten Sie die Abkürzung mit den drei Buchstaben rechts unten im Display. Sie erfahren hier dynamisch die gegenwärtige Konstellation, auf die das Teleskop gerichtet ist (hier Lyra). Die Namen der Konstellationen werden in diesem Modus abgekürzt. Definitionen für die Abkürzungen ersehen Sie aus dem folgenden Index Katalog sein.





# HINWEISE

# GARANTIE/REPARATUR

## BESCHRÄNKTE LEBENSLANGE GARANTIE AUF TELESKOPE

Sie erhalten für Ihr Bushnell®-Teleskop eine lebenslange Garantie. Die Garantie gilt für den Erstbesitzer und erstreckt sich auf Material- und Herstellungsfehler. Die beschränkte lebenslange Garantie ist Ausdruck unseres Vertrauens in die Materialien und die mechanische Ausführung unserer Produkte und gewährleistet Ihnen einen lebenslangen zuverlässigen Kundendienst.

Wenn Ihr Teleskop elektrische Bauteile enthält, garantieren wir für einen Zeitraum von zwei Jahren ab dem Kaufdatum, dass diese Bauteile frei von Material- und Herstellungsfehlern sind.

Für den Fall, dass ein Mangel im Rahmen dieser Garantie auftritt, werden wir das Produkt nach unserer Wahl reparieren oder austauschen, vorausgesetzt, dass Sie das Produkt freigemacht zurückschicken. Von dieser Garantie ausgeschlossen sind Schäden, die auf Missbrauch, unsachgemäße Behandlung, Installations- oder Wartungsarbeiten, die nicht von einer autorisierten Bushnell-Kundendienstabteilung vorgenommen werden, zurückzuführen sind.

Jeder Rücksendung im Rahmen dieser Garantie müssen folgende Dokumente und Angaben beigelegt werden:

- 1) Ein Scheck/eine Zahlungsanweisung in Höhe von 15,00 USD zur Abdeckung der Porto- und Bearbeitungskosten
- 2) Name und Anschrift für die Rücksendung des Produkts
- 3) Eine Erläuterung des Mangels
- 4) Nachweis des Kaufdatums
- 5) Das Produkt sollte zur Vermeidung von Transportschäden gut verpackt in einem stabilen Versandkarton an die nachstehend aufgeführte Adresse geschickt werden, wobei die Gebühren für die Rücksendung im Voraus zu entrichten sind.

Adresse für Rücksendungen in die USA:

Bushnell Outdoor Products  
Attn.: Repairs  
8500 Marshall Drive  
Lenexa, Kansas 66214

Adresse für Rücksendungen nach KANADA:

Bushnell Outdoor Products  
Attn.: Repairs  
25A East Pearce Street, Unit 1  
Richmond Hill, Ontario L4B 2M9

Bei Produkten, die Sie außerhalb der Vereinigten Staaten oder Kanadas gekauft haben, erhalten Sie die entsprechenden Informationen zur Garantie von ihrem Händler vor Ort. In Europa erreichen Sie Bushnell auch unter:

BUSHNELL Performance Optics GmbH  
European Service Centre  
MORSESTRASSE 4  
D- 50769 KÖLN  
Deutschland  
Tél: +49 (0) 221 709 939 3  
Fax: +49 (0) 221 709 939 8

Mit dieser Garantie erwerben Sie bestimmte Rechtsansprüche.

Sie haben möglicherweise darüber hinaus noch andere Rechte, die von Land zu Land variieren.

©2007 Bushnell Outdoor Products

**Anmerkung bezüglich FCC Richtlinien:**

Dieses Gerät wurde getestet und es wurde als mit den Vorschriften für ein digitales Gerät der Klasse B übereinstimmend befunden, gemäss Teil B der FCC Vorschriften. Diese Vorschriften wurden entwickelt, um innerhalb eines Wohnhauses einen vernünftigen Schutz vor gefährlichen Interferenzen zu gewährleisten. Dieses Gerät erzeugt und verwendet Radiofrequenzenergie und kann diese ausstrahlen und, wenn dieses nicht in Übereinstimmung mit der Bedienungsanleitung eingesetzt wird, kann es den Rundfunkverkehr empfindlich stören. Es gibt jedoch keinerlei Garantie dafür, dass die Störung in einer bestimmten Einrichtung nicht auftritt. Wenn dieses Gerät störende Auswirkungen auf den Radio- oder Fernsehempfang haben sollte, die durch Aus- und Einschalten des Gerätes festgestellt werden können, ist es für den Gerätenutzer möglich, eine Behebung der Störung mit Hilfe einer oder mehrerer der folgenden Maßnahmen zu erreichen:

- Neuausrichtung oder Neuplatzierung der Empfangsantenne.
- Das Gerät mit einem Ausgang eines Netzes verbinden, das in keinerlei Verbindung zu dem Netz steht, womit der Receiver verbunden ist.
- Fragen Sie den Fachhändler oder einen erfahrenen Radio- oder Fernstechniker um Rat.

Unter Beachtung der Vorschriften für ein digitales Gerät gemäß Unterartikel B des Abschnitts 15 der FCC Richtlinien ist ein abgeschirmtes Interface-Kabel mit dem Gerät zu verwenden.

Der Hersteller behält sich das Recht auf die Durchführung von Änderungen von Spezifikationen und Konstruktionsmerkmalen ohne jegliche vorherige Ankündigung oder Verpflichtung vor.



Der Hersteller behält sich das Recht auf die Durchführung von Änderungen von Spezifikationen und Konstruktionsmerkmalen ohne jegliche vorherige Ankündigung oder Verpflichtung vor.

## ITALIANO

Complimenti per l'acquisto del telescopio Bushnell Discoverer con messaggi vocali reali (Real Voice Output)!! Questo è uno dei primi telescopi creati che veramente vi parla per fornirvi informazioni sul cielo stellato. È come avere il proprio assistente astronomico personale.

Dopo aver letto il manuale ed essersi preparati alla seduta di osservazione come illustrato in queste pagine, sarà possibile iniziare a far uso della funzione vocale nel modo illustrato qui di seguito.

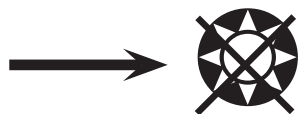
Per attivare il telescopio basta accenderlo! La funzione vocale è incorporata nel telecomando.

Durante la procedura di allineamento, il telescopio fornisce diversi consigli vocali utili all'utente. Una volta allineato, la funzione vocale si illumina ogni volta che si preme il tasto di invio quando il nome o il numero di un oggetto vengono visualizzati nell'angolo inferiore destro dello schermo a cristalli liquidi. La descrizione dell'oggetto viene enunciata man mano che si segue la descrizione sotto forma di testo a scorrimento.

Se in qualsiasi momento si desidera disabilitare la funzione vocale, basta annullarla premendo il tasto "Back" (Indietro) del telecomando.

Vi auguriamo tanto divertimento per tanti anni!

# DISCOVERER



**NON GUARDARE MAI DIRETTAMENTE IL  
SOLE COL TELESCOPIO**

**SI POTREBBERO DANNEGGIARE GLI  
OCCHI**



## DOVE INIZIARE?

Il vostro telescopio Bushnell è in grado di portare l'universo proprio davanti ai vostri occhi. Se da un lato questo manuale ha lo scopo di assistere l'utente nell'impostazione e nell'utilizzo di base dello strumento, esso non tratta tutto ciò che desiderate apprendere sull'astronomia. Sebbene Discoverer permetta di fare un giro del tutto rispettabile del cielo notturno, si raccomanda di procurarsi una semplicissima mappa stellare e una torcia elettrica con una lampadina rossa o coperta da un cellophane rosso. Se si desiderano vedere e studiare altri oggetti, oltre alle stelle e alle costellazioni, sarà necessario munirsi di una guida di base sull'astronomia. Sul nostro sito web [www.bushnell.com](http://www.bushnell.com) sono riportate alcune risorse utili, oltre a eventi correnti di cui si consiglia la visione. Ma alcune delle cose più importanti da vedere sono:

**La luna** — è possibile osservarla a qualsiasi ingrandimento. Provate ad osservare le sue diverse fasi. Osservate gli altopiani e i mari lunari (terre basse così chiamate per il loro colore scuro), i crateri, i crinali e le catene montuose. Vi lasceranno a bocca aperta.

**Saturno** — Dovreste riuscire a vedere gli anelli e le lune di Saturno anche alla potenza più bassa: si tratta di uno degli oggetti più soddisfacenti da vedere in cielo, poiché lo si vede esattamente come appare nelle fotografie. Immaginate di vedere dal vostro giardino ciò che avete sempre visto nei libri di testo o nelle immagini della NASA!

**Giove** — il più grande pianeta del nostro sistema solare è, a dir poco, spettacolare. Le sue caratteristiche salienti sono le strisce o bande scure sopra e sotto l'equatore: le cinture equatoriali nord e sud. Di grande interesse sono anche le quattro lune principali di Giove. Fate attenzione alle loro posizioni da una notte all'altra: sembrano allinearsi da una parte o dall'altra di Giove.

**Marte** — Il grande pianeta rosso appare come un disco rosso-arancio. Osservandolo in diversi periodi dell'anno sarà possibile scorgere le calotte polari bianche.

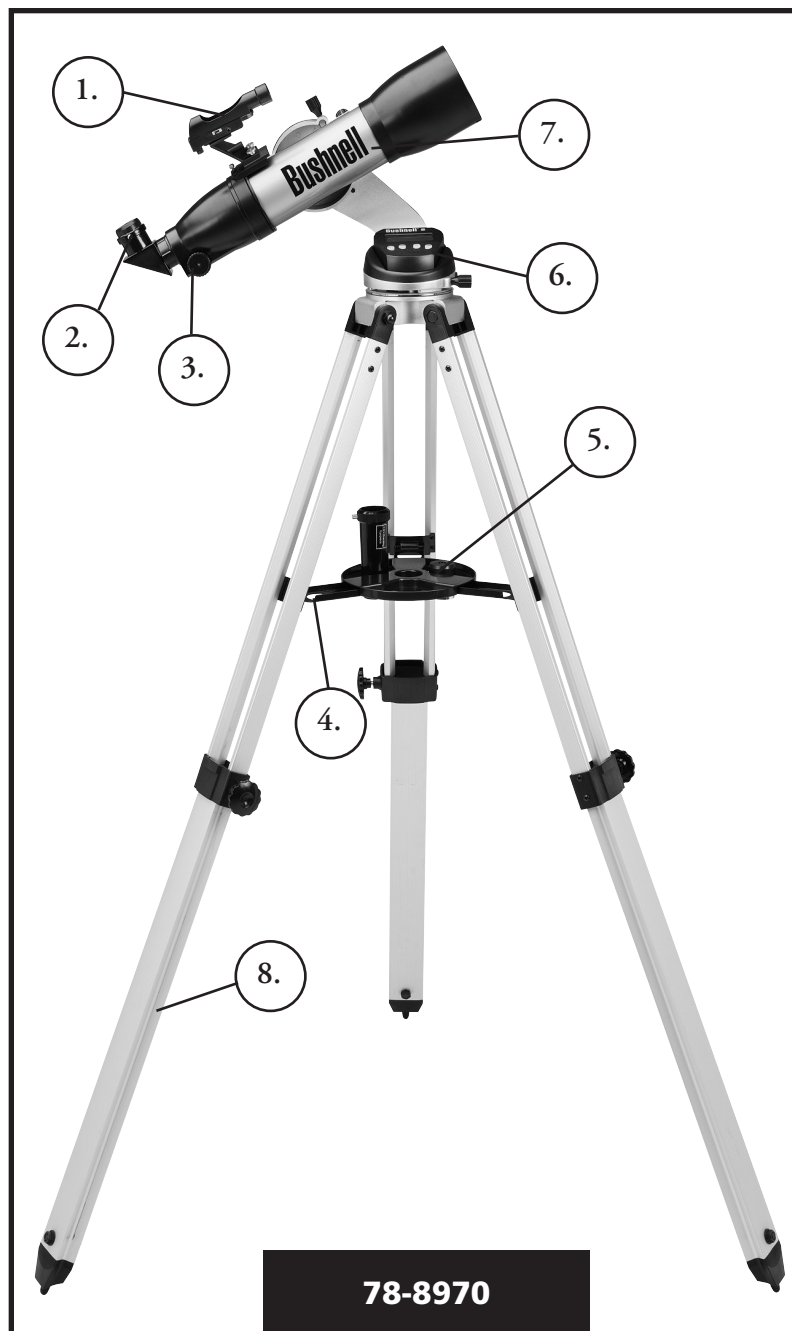
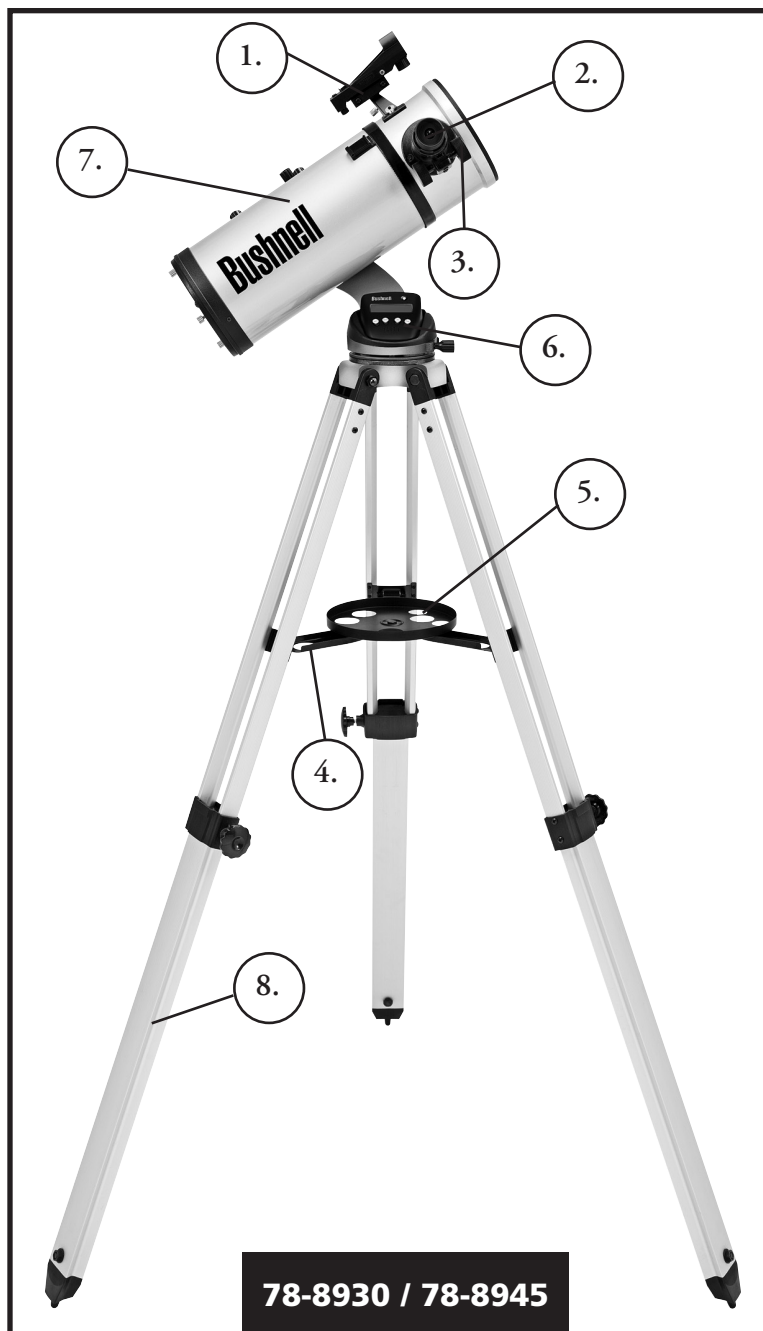
**Venere** — Proprio come la Luna, Venere cambia fase da un mese all'altro. Talvolta Venere splende al punto da sembrare una luna crescente.

**Nebulose** — La grande Nebulosa di Orione è uno degli oggetti più conosciuti visibili nel cielo notturno. Questo telescopio permette di vedere questa nebulosa e molti altri oggetti.

**Agglomerati stellari** — Osservate milioni di stelle raggruppate fra di loro in un insieme che assomiglia a una palla splendente.

**Galassie** — Una delle galassie più grandi e interessanti è la vicina galassia di Andromeda. Col telescopio, è possibile vedere questa e molte altre.

## SCHEMA DELLE PARTI



### Schema delle diverse parti del telescopio

1. Cercatore a punto rosso
2. Oculare formato 1,25"
3. Dispositivo di messa a fuoco a cremagliera
4. Staffa per vassoio accessorio
5. Vassoio per accessori a sgancio rapido
6. Telecomando computerizzato
7. Tubo principale del telescopio
8. Treppiede in alluminio regolabile

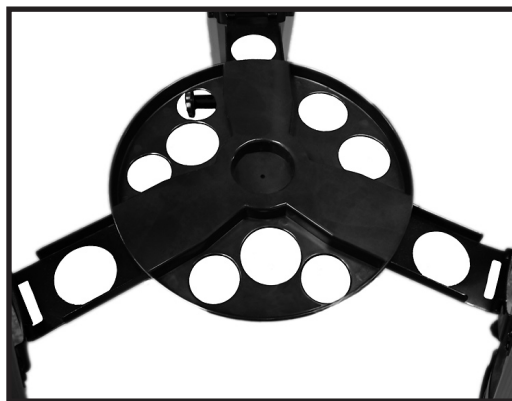
## GUIDA AL MONTAGGIO RAPIDO

78-8970 / 78-8930 / 78-8945



Spingere i bulloni d'attacco sul tubo del telescopio attraverso i fori sulla staffa del tubo (rimuovere prima i dadi ad alette), quindi montare e serrare i dadi ad alette per tenere saldamente a posto il tubo.

78-8970 / 78-8930 / 78-8945



Spingere leggermente il vassoio rimovibile per gli accessori sul mozzo al centro del sostegno del vassoio

## LENCO DEI PEZZI

- Treppiede regolabile in alluminio (Preassemblato per la base con planisfero celeste computerizzato Discoverer)
- Vassoio per accessori a sgancio rapido
- Telescopio Discoverer con viti serrabili a mano
- Oculari (2)
- Cercatore a punto rosso
- Lente di Barlow (Riflettore)
- Specchio diagonale (788970 rifrattore)

## MONTAGGIO DETTAGLIATO

Per il montaggio del telescopio non occorrono utensili.

Togliere tutti i componenti dalla confezione e identificarli stendendoli magari di fronte a sé prima del montaggio. Dato che il telescopio è un dispositivo ottico di precisione, è necessario maneggiare i pezzi con la massima cautela, in particolare il computer integrato, il telescopio, gli oculari e le varie lenti accessorie.

### APPRONTARE IL TREMPIEDE E IL PIATTO PER GLI ACCESSORI

1. Mettere in posizione verticale il planisfero celeste computerizzato Discoverer con le gambe del treppiede fissate. Aprire le gambe del treppiede alla distanza adeguata.
2. Piegare le staffe del piatto per accessori verso il basso e collocare il piatto per accessori a sgancio rapido sopra le staffe (vedere lo schema di montaggio rapido).
3. Girare il piatto per accessori finché non si inserisce con uno scatto.
4. Regolare la lunghezza delle gambe del treppiede aprendo l'apposita levetta e regolandole come si desidera.

### MONTARE IL TUBO DEL TELESCOPIO

1. Trovare il tubo principale del telescopio.
2. Togliere i dadi ad alette situati sul lato del tubo del telescopio.
3. Posizionare i bulloni del tubo principale del telescopio attraverso il supporto del tubo del telescopio situato nella parte superiore del planisfero celeste computerizzato Discoverer.
4. Riavvitare i dadi ad alette del tubo del telescopio sui bulloni di fissaggio del tubo principale del telescopio una volta che questo e il planisfero celeste computerizzato Discoverer sono montati.

### MONTARE GLI ACCESSORI FINALI DEL TELESCOPIO

1. Individuare il Cercatore a punto rosso.

NOTA: il capo più grande del cercatore deve essere rivolto verso l'estremità aperta del tubo del telescopio.

2. Montare l'oculare a bassa potenza.
3. Stringere tutte le viti per fissare gli accessori.

### SCELTA DELL'OCULARE

Si dovrebbe iniziare sempre dall'oculare a potenza inferiore, che in questo caso corrisponde alla lente da 20 mm. Nota: la potenza di base di ciascun oculare è determinata dalla lunghezza focale dell'obiettivo. Per determinare la potenza di ciascun oculare è possibile utilizzare una formula: lunghezza focale dell'OBIETTIVO del telescopio diviso lunghezza focale dell'OCULARE = INGRANDIMENTO (ad es., se si usa la lente da 20 mm, un calcolo indicativo potrebbe essere il seguente:  $750 \text{ mm} / 20 = \text{potenza } 38x$  o  $38$ . La lunghezza focale varia a seconda dei modelli di telescopio).

(Riflettore)

In dotazione col telescopio vi è una lente di Barlow. Le lenti di Barlow sono impiegate per raddoppiare o triplicare la potenza del telescopio. Posizionare la lente di Barlow tra il tubo di messa a fuoco e l'oculare. Utilizzando l'esempio riportato sopra, la lente di Barlow 3x darà una potenza totale di 114x o 114. ( $38 \times 3 = \text{potenza } 114x$  o  $114$ ). Il calcolo dell'ingrandimento sarà il seguente:  $750 \text{ mm} / 20 \text{ mm} = \text{potenza } 38$ . Potenza  $38 \times 3 = \text{potenza } 114$ .

## MONTAGGIO DETTAGLIATO CONTINUAZIONE

### FMESSA A FUOCO DEL TELESCOPIO

1. Dopo aver scelto l'oculare desiderato, puntare il tubo principale del telescopio su un oggetto terrestre situato a una distanza di almeno 200 metri (ad es., il palo del telefono o un palazzo).
2. Estendere completamente il tubo di messa a fuoco girando il dispositivo di messa a fuoco a cremagliera.
3. Guardando attraverso l'oculare selezionato (in questo caso, quello da 20 mm), retrainare lentamente il tubo di messa a fuoco girando il dispositivo di messa a fuoco a cremagliera fino a quando l'oggetto è messo a fuoco.

### MONTAGGIO DEL TELECOMANDO COMPUTERIZZATO E DELLA PILA

1. Trovare il telecomando computerizzato e il cavo.
2. Individuare il coperchio del comparto della pila sulla base del planisfero celeste computerizzato Discoverer.
3. Togliere il coperchio dello scomparto della pila e inserirne una da 9 V.
4. Chiudere il coperchio dello scomparto.
5. Fissare il telecomando computerizzato alla base del planisfero celeste computerizzato Discoverer usando l'apposito cavo.

### ALLINEAMENTO DEL CERCATORE

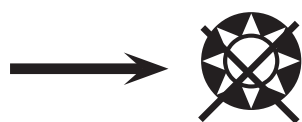
Guardare attraverso il tubo principale del telescopio e puntare su un oggetto ben definito (vedere la sezione "Messa a fuoco del telescopio").

Togliere l'isolamento di plastica tra la pila del cercatore a punto rosso e il morsetto della pila.

Accendere il cercatore a punto rosso.

Guardare attraverso il cercatore a punto rosso, quindi girare le rotelline di regolazione finché il puntino rosso è centrato esattamente sullo stesso oggetto già centrato nel campo visivo del tubo principale del telescopio.

A questo punto gli oggetti trovati prima col cercatore a punto rosso sono centrati nel campo visivo del telescopio principale.



**NON GUARDARE MAI DIRETTAMENTE IL  
SOLE COL TELESCOPIO**

**SI POTREBBERO DANNEGGIARE GLI OCCHI**

## COME MEGLIO APPREZZARE IL TELESCOPIO NUOVO

1. Per prima cosa, stabilire l'oggetto da osservare. Qualsiasi oggetto luminoso nel cielo notturno rappresenta un buon punto d'inizio. Uno dei punti d'inizio preferiti in astronomia è la Luna. Questo è un oggetto che certamente non mancherà mai di soddisfare gli astronomi in erba o i più esperti. Una volta sviluppata una certa esperienza a questo livello, ci si potrà dedicare ad altri oggetti. Saturno, Marte, Giove e Venere sono buone scelte di secondo livello.
2. La prima cosa da fare, dopo aver montato il telescopio nel modo descritto sopra, è centrare l'oggetto desiderato nei crocicchi del cercatore. Se il cercatore è stato allineato bene, un rapido sguardo attraverso il tubo principale del telescopio a bassa potenza dovrebbe far vedere la stessa immagine. Con l'oculare di potenza più bassa (quello su cui è stampato il numero più grande) si dovrebbe riuscire a mettere a fuoco la stessa immagine vista attraverso il cercatore. Resistere alla tentazione di passare direttamente alla massima potenza. L'oculare di bassa potenza dà un campo visivo più ampio e un'immagine più luminosa, permettendo quindi di trovare con facilità l'oggetto desiderato. Quando l'immagine è messa a fuoco in entrambi i tubi, si è già superato il primo ostacolo. Se non si vede l'immagine dopo aver tentato di metterla a fuoco, potrebbe essere necessario riallineare il cercatore. Il tempo dedicato ad eseguire un buon allineamento è importantissimo: se ne apprezzeranno subito i risultati. Ogni oggetto centrato nel cercatore lo si troverà facilmente nel tubo principale del telescopio, fattore essenziale per continuare l'esplorazione del cielo notturno.
3. Gli oculari di bassa potenza sono perfetti per osservare la luna piena, i pianeti, gli agglomerati stellari, le nebulose e anche le costellazioni: questa costituisce la base di partenza per le osservazioni future. Ad ogni modo, per riuscire ad osservare un maggior numero di dettagli, è utile provare a passare ad ingrandimenti maggiori, su alcuni di questi oggetti, con oculari più potenti. Nelle notti calme e serene, la linea di separazione luce/oscurità sulla luna (detta "Terminatore") è meravigliosa da osservare ad alta potenza. Le montagne, i crinali e i crateri risultano vividissimi grazie ai punti di luce più forte. Analogamente si può passare a ingrandimenti maggiori anche sui pianeti e sulle nebulose. Gli agglomerati stellari e le singole stelle si osservano, comunque, meglio a bassa potenza.
4. Il teatro astronomico che chiamiamo cielo notturno è un fondale in costante cambiamento. In altre parole, non viene proiettato sempre lo stesso film. Infatti, le posizioni delle stelle cambiano non solo da un'ora all'altra quando sembrano sorgere e tramontare, ma anche nel corso dell'anno. Man mano che la Terra orbita intorno al sole, la nostra prospettiva sulle stelle cambia a seconda del ciclo stellare dell'orbita. La ragione per cui il cielo sembra spostarsi tutti i giorni proprio come il sole e la luna si "spostano" nel cielo sta nel fatto che è la Terra a ruotare sul proprio asse. Di conseguenza, si noterà che dopo pochi minuti, o pochi secondi, (a seconda della potenza dell'oculare) gli oggetti nel telescopio si spostano. Specialmente con ingrandimenti maggiori, si noterà che la luna o Giove "scappano" fuori dal campo visivo. Per compensare, basta spostare il telescopio per "rimetterlo" sul percorso giusto.

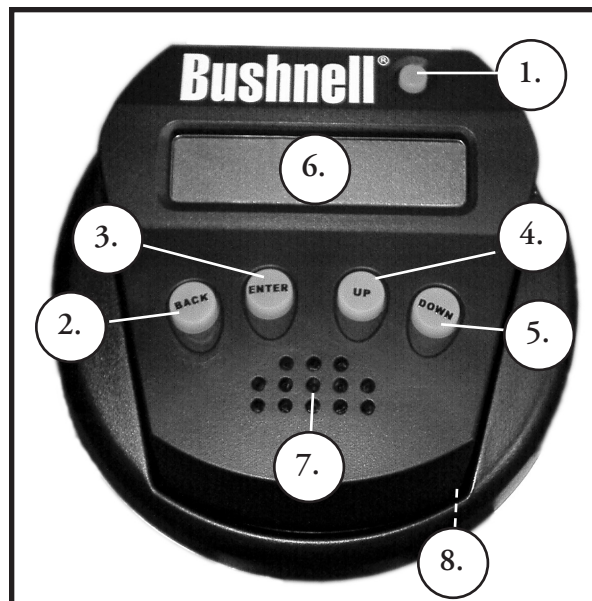
## CONSIGLI UTILI

1. Questo telescopio è uno strumento molto sensibile. Per avere i migliori risultati, e ridurre al minimo le vibrazioni, si consiglia di allestirlo in un punto piano del terreno, piuttosto che sul cortile o sul marciapiede in cemento o sul terrazzo in legno. In questo modo si realizza una base ben salda d'osservazione, specialmente in quei casi in cui si è circondati da un gruppo di curiosi.
2. Se possibile, installare lo strumento in un luogo poco illuminato perché in tal modo sarà possibile vedere anche gli oggetti meno brillanti. Se si osserva il cielo dalla riva di un fiume o da un parco, si riesce a vedere un numero molto maggiore di oggetti rispetto ad un'appostazione nel cortile di casa in città.
3. Si **SCONSIGLIA** caldamente di osservare da una finestra.
4. Se possibile, osservare gli oggetti quando sono alti nel cielo. Se si aspetta, infatti, fino a quando sono molto più alti rispetto all'orizzonte, risultano molto più luminosi e nitidi all'osservazione col telescopio. Si tenga presente che l'occhio vede gli oggetti all'orizzonte attraverso vari strati di atmosfera terrestre. Ci si è mai chiesti perché la luna appaia di color arancione quando cala all'orizzonte? La si vede di quel colore perché la si osserva attraverso una quantità molto maggiore di atmosfera rispetto a quando è alta nel cielo. (Nota: se gli oggetti in cielo appaiono distorti o mossi, è probabile che si stia osservando il cielo in una serata molto umida). Nelle notti in cui l'atmosfera è instabile, l'osservazione con il telescopio può risultare difficile se non addirittura impossibile. Gli astronomi, infatti, chiamano le notti chiare e serene le notti da "buona osservazione".



## SCHEMA INTERFACCIA COMPUTER DISCOVERER

1. Tasto On/Off
2. Tasto Indietro
3. Tasto di invio
4. Tasto di scorrimento verso l'alto
5. Tasto di scorrimento verso il basso
6. Schermo a cristalli liquidi
7. Altoparlante (uscita voce reale)
8. Sportello delle pile (non in figura; si trova sul supporto, sotto il regolatore)



## FUNZIONI DEI TASTI

**TUTTI I TASTI SONO ILLUMINATI PER L'USO NOTTURNO.**

**Tasto On/Off:** Il Tasto On/Off permette di accendere e spegnere il planisfero celeste computerizzato Discoverer. Per spegnere lo strumento basta tenere premuto il tasto On/Off per tre secondi e poi rilasciarlo (nota: il planisfero celeste computerizzato Discoverer si spegne automaticamente dopo 10 minuti di inattività).

**Tasto Indietro:** Questo tasto serve a tornare al livello precedente del quadro operativo o di immissione. Se, in qualsiasi momento, si desidera disabilitare la funzione vocale, è sufficiente premere il tasto "Back" (Indietro) sul tastierino del telecomando.

**Tasto di invio:** Questo tasto serve a fare determinate scelte di menu. Quando si preme il tasto di INVIO, Discoverer avanza al livello selezionato. Se si preme il tasto di INVIO quando il nome o il numero di un oggetto è visualizzato sullo schermo, si sente la descrizione parlata e il computer visualizzare testo scorrevole della descrizione dell'oggetto.

**Tasto di scorrimento verso l'alto:** Questo tasto serve a scorrere verso l'alto i vari menu di Discoverer. Ogni volta che si ha un'opzione di testo/numero lampeggiante, il tasto di scorrimento visualizza le varie scelte selezionabili all'interno di quel menu (nota: per selezionare l'opzione desiderata basta, quindi, premere il tasto di INVIO).

**Tasto di scorrimento verso il basso:** Questo tasto serve a scorrere verso il basso i vari menu di Discoverer. Ogni volta che si ha un'opzione di testo/numero lampeggiante, il tasto di scorrimento visualizza le varie scelte selezionabili all'interno di quel menu (nota: per selezionare l'opzione desiderata basta, quindi, premere il tasto di INVIO).

## SCHERMO A CRISTALLI LIQUIDI

Lo schermo a cristalli liquidi (LCD) è un display a due righe e a sedici caratteri. Lo schermo LCD è illuminato per l'uso notturno, così come i tasti.

## PANORAMICA DELLE MODALITÀ DEL PRODOTTO

**Explore:** La modalità “Explore” (Esplora) di Discoverer permette di esplorare vari oggetti astronomici categorizzati per tipologia. Tali oggetti appartengono a una o più delle seguenti tipologie: Spazio profondo, Pianeti, Costellazioni e Stelle. Ciascuna di queste categorie presenta sottocategorie di oggetti nel relativo menu (l'elenco completo delle funzioni e delle opzioni di menu è riportato nel paragrafo Albero dei menu).

**Sky Tour:** La modalità “Sky Tour” (Escursione del cielo) di Discoverer permette di fare una breve escursione degli oggetti migliori e più luminosi in ogni mese dell'anno. Se la data è stata inserita nel sistema, la modalità “Sky Tour” conosce automaticamente il mese corrente. L'utente può scegliere gli oggetti usando le freccette di scorrimento su o giù e premendo ENTER (INVIO). Per maggiori informazioni su un qualsiasi oggetto è sufficiente premere il tasto di INVIO mentre è visualizzato: sullo schermo appare il testo con le informazioni.

**Telescope:** La modalità “Telescope” (Telescopio) di Discoverer permette di conoscere in tempo reale i dati relativi al punto verso cui è puntato il telescopio. Le coordinate astronomiche per l'Ascensione Retta (RA - Right Ascension) e la Declinazione (DEC - Declination), oltre a quelle per Altitudine (ALT - Altitude) e Azimuth (AZ) sono visualizzate simultaneamente. Inoltre, nell'angolo inferiore destro è visualizzata l'abbreviazione della costellazione verso la quale è puntato il telescopio.

**Identify:** La modalità “Identify” (Identifica) di Discoverer permette di identificare un qualsiasi oggetto nel campo visivo del telescopio. Le sottocategorie per le diverse classi di oggetti identificabili sono anch'esse incluse sotto l'opzione “Identify Any”.

**Align Star:** La modalità “Align Star” (Allinea stella) di Discoverer permette di allineare il telescopio utilizzando qualche concetto astronomico. Sapendo dove due stelle si trovano in cielo, un utente alle prime armi può rapidamente cominciare ad usare il database di Discover per trovare straordinari corpi astronomici.

## PRIMO ALLINEAMENTO DI Discoverer

(NOTA: Accertarsi che il telescopio sia posizionato su una superficie piana).

1:

Prima di accendere il telescopio, rimuovere il telecomando. All'accensione del telescopio, il sistema emette un messaggio in forma vocale e scritta:

### BUSHNELL DISCOVERER Vx.x

“Sullo schermo appare quindi il menu predefinito:

```
SELECT MODE
ALIGN STAR ↑↓
```

L'opzione ALIGN STAR lampeggia.

Premere ENTER (INVIO) per scegliere l'opzione ALIGN STAR (Allinea Stella).

NOTA: LE VOCI CHE LAMPEGGIANO SULLO SCHERMO SONO OPZIONI DI MENU. UTILIZZARE I TASTI DI SCORRIMENTO VERSO L'ALTO O IL BASSO PER VEDERE LE ALTRE VOCI SELEZIONABILI.

Un messaggio scorrevole indica CENTER STAR 1 THEN PRESS ENTER (Centrare la stella 1, quindi premere Invio).

Per centrare la stella guida, dall'elenco sullo schermo scegliere una stella conosciuta. Ripetere per la stella 2.

Una volta completata questa operazione, sullo schermo appare una schermata su cui si legge:

```
ALIGN COMPLETE
RATING *****
```

(Nota: più stelle appaiono sulla seconda riga della schermata, meglio è, fino a 5)

## PRIMO UTILIZZO DI Discoverer

Dopo l'allineamento della Stella (ALIGN STAR) sullo schermo si legge:

```
SELECT MODE
EXPLORE ↑↓
```

Selezionare EXPLORE premendo INVIO. Usare i tasti di scorrimento verso l'alto (SCROLL UP) e verso il basso (SCROLL DOWN) per vedere quali voci di menu lampeggianti si possono selezionare. Scegliere PLANET. Queste sono le voci più interessanti. Gli oggetti PLANET (pianeti) sono elettrizzanti anche per i principianti.

Premere INVIO quando sullo schermo appare:

```
EXPLORE
PLANET
```

Apparirà un elenco di oggetti PLANET (Pianeti). Usare i tasti di scorrimento verso l'alto (SCROLL UP) e verso il basso (SCROLL DOWN) per esplorare le varie voci visualizzate nell'elenco degli oggetti.

```
PLANET
JUPITER ↑↓
```

Premere INVIO per scegliere il Pianeta che si desidera visualizzare. Sullo schermo appare:

```
PLANET
←120 ↑52 JUPITER
```

## PRIMO UTILIZZO DI Discoverer CONTINUAZIONE

NOTA: SE UN OGGETTO SI TROVA SOTTO L'ORIZZONTE, LO SCHERMO VISUALIZZA PERIODICAMENTE LA PAROLA "HORIZON."

Usare i tasti di scorrimento verso l'alto (SCROLL UP) e verso il basso (SCROLL DOWN) per vedere gli altri pianeti dell'elenco. Si noti che sulla schermata sono visualizzate le indicazioni per giungere a ciascun oggetto. Ma come soddisfare la curiosità del principiante che desidera maggiori informazioni su un determinato oggetto? Non sarebbe bello sapere quale oggetto si trova davanti al telescopio?

Premere INVIO quando:

**PLANET**  
**←120 ↑52 JUPITER**

è visualizzato un qualsiasi altro PIANETA. Sullo schermo appare un messaggio a scorrimento che riporta le coordinate dell'oggetto, la sua luminosità, la sua grandezza, il suo nome, la costellazione a cui appartiene e una breve descrizione. Per JUPITER (Giove) si legge:

**JUPITER fifth planet from sun.**  
**Largest planet in solar system.**  
**16 moons. Orbit is 11.86 years.**

Ora, immaginate di essere i genitori che desiderano far inorgoglire di sé i figli (o viceversa). Dopo soli dieci minuti dal montaggio del telescopio avete già imparando qualcosa sull'astronomia. Si tratta davvero di un grande strumento istruttivo !!!!

Se si preme il tasto "Back" si ritorna al livello precedente. Se lo si preme tre volte si torna al menu del livello principale. Sullo schermo si legge:

**SELECT MODE**  
**EXPLORE ↑↓**

Usare i tasti di scorrimento SU e GIÙ per selezionare

**SELECT MODE**  
**SKY TOUR ↑↓**

Premere INVIO.

Questa modalità permette di vedere gli oggetti migliori e più luminosi ogni mese dell'anno. Se si è eseguito l'allineamento ALIGN STAR e si è inserita la data, questa modalità sa automaticamente qual è il mese corrente. Se non si conoscono alcuni degli oggetti e delle abbreviazioni, premere il tasto INVIO per ottenere maggiori informazioni.

Premere il tasto "Back" fino a ritornare al menu principale:

**SELECT MODE**  
**SKY TOUR ↑↓**

Usare i tasti di scorrimento SU e GIÙ finché sullo schermo appare:

**SELECT MODE**  
**IDENTIFY ↑↓**

Premere INVIO

Questa modalità porterà automaticamente al livello

**IDENTIFY ANY**

## PRIMO UTILIZZO DI Discoverer CONTINUAZIONE

Se si seleziona questa opzione col tasto INVIA, il sistema identifica l'oggetto che si sta osservando OPPURE quello più vicino su cui è puntato il telescopio. L'utente può scegliere altri tipi di menu IDENTIFY (Identifica). Essi permettono di identificare gli agglomerati (CLUSTERS), le nebulose (NEBULAS), ecc. più vicini alla posizione attuale del telescopio.

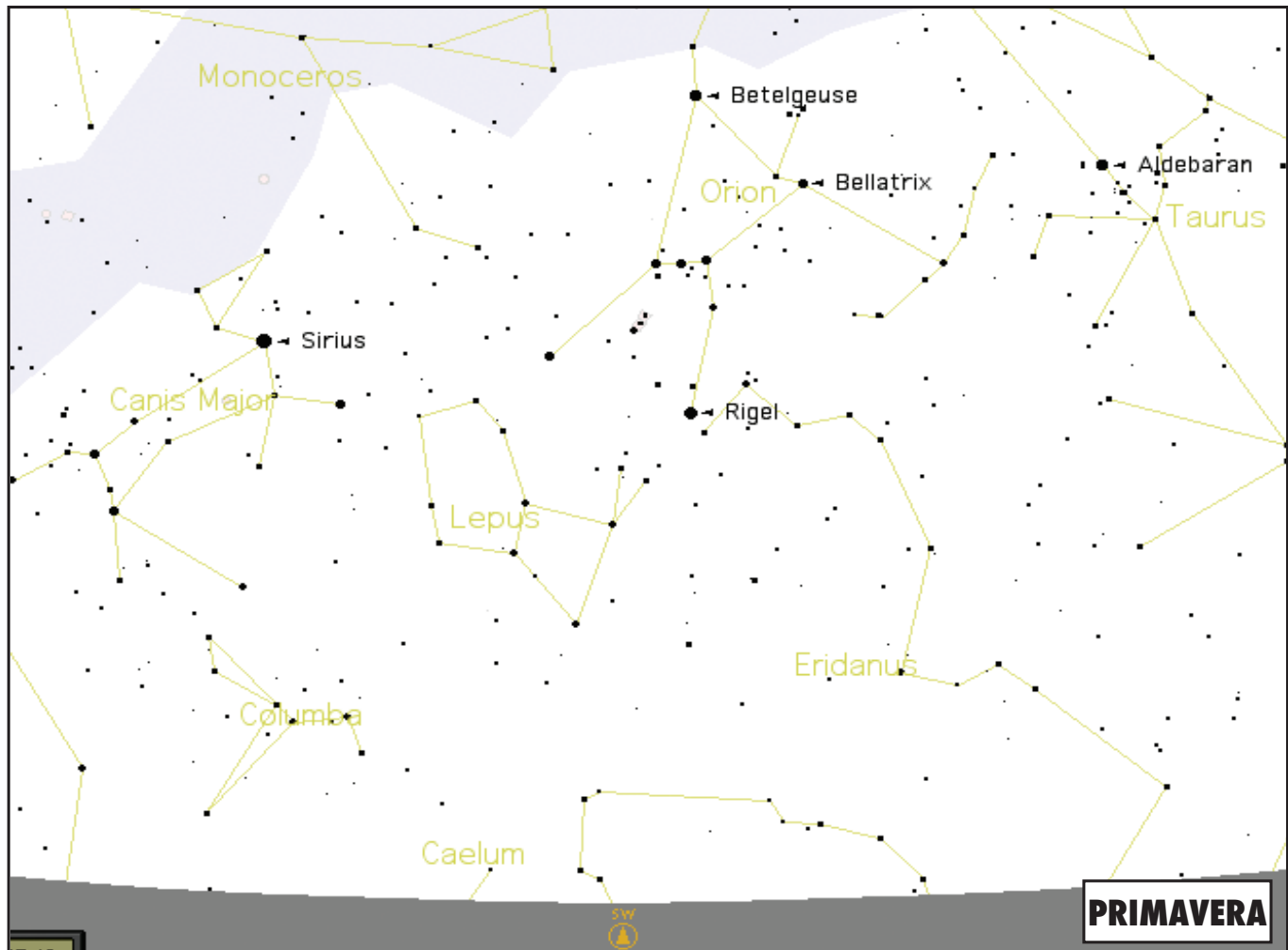
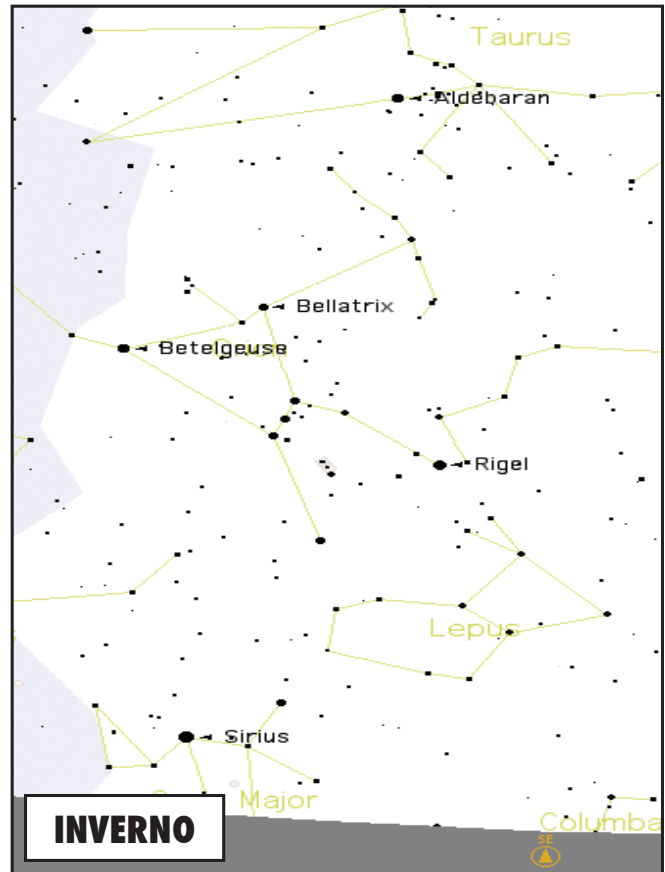
Per selezionare la modalità finale, premere INVIO quando appare:

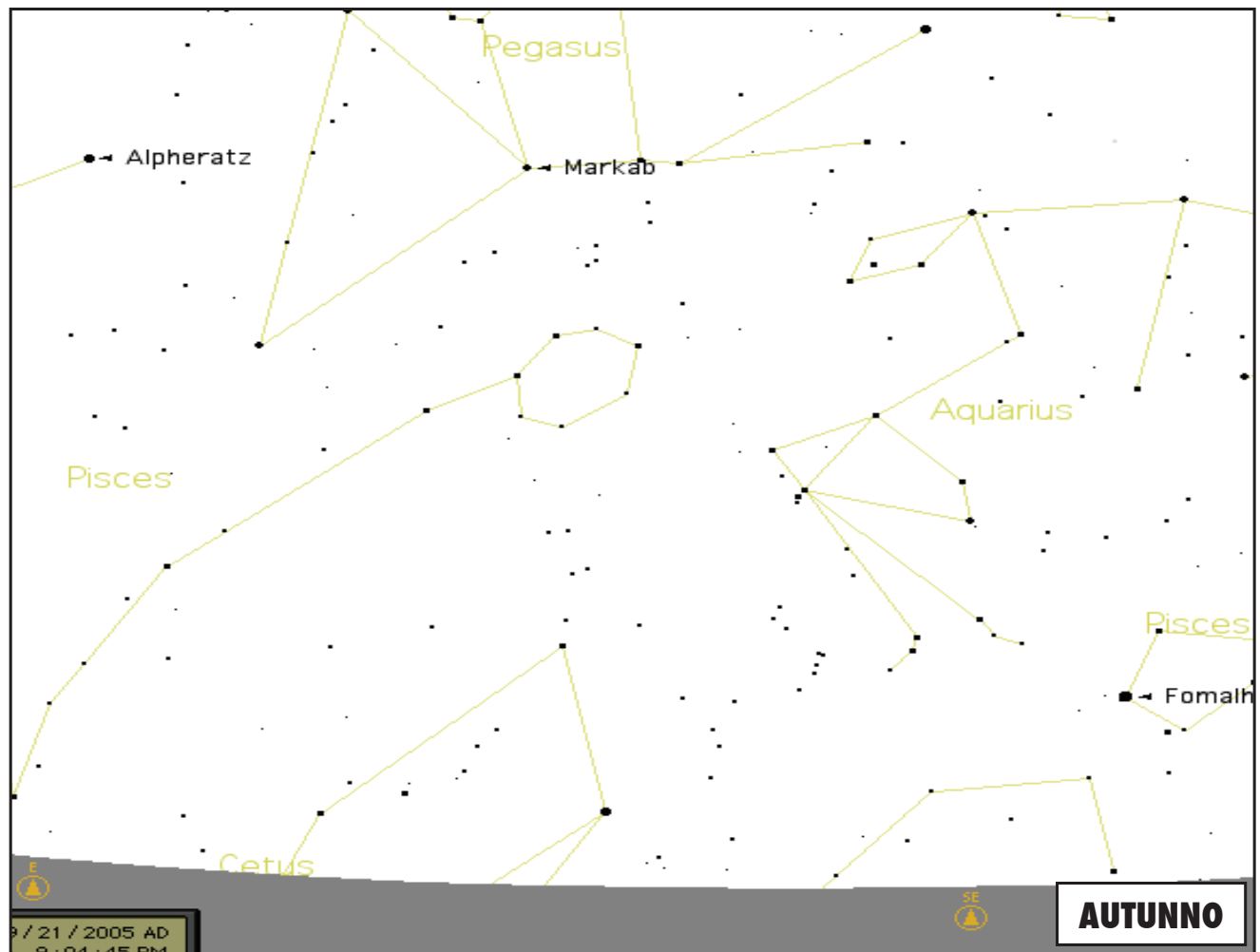
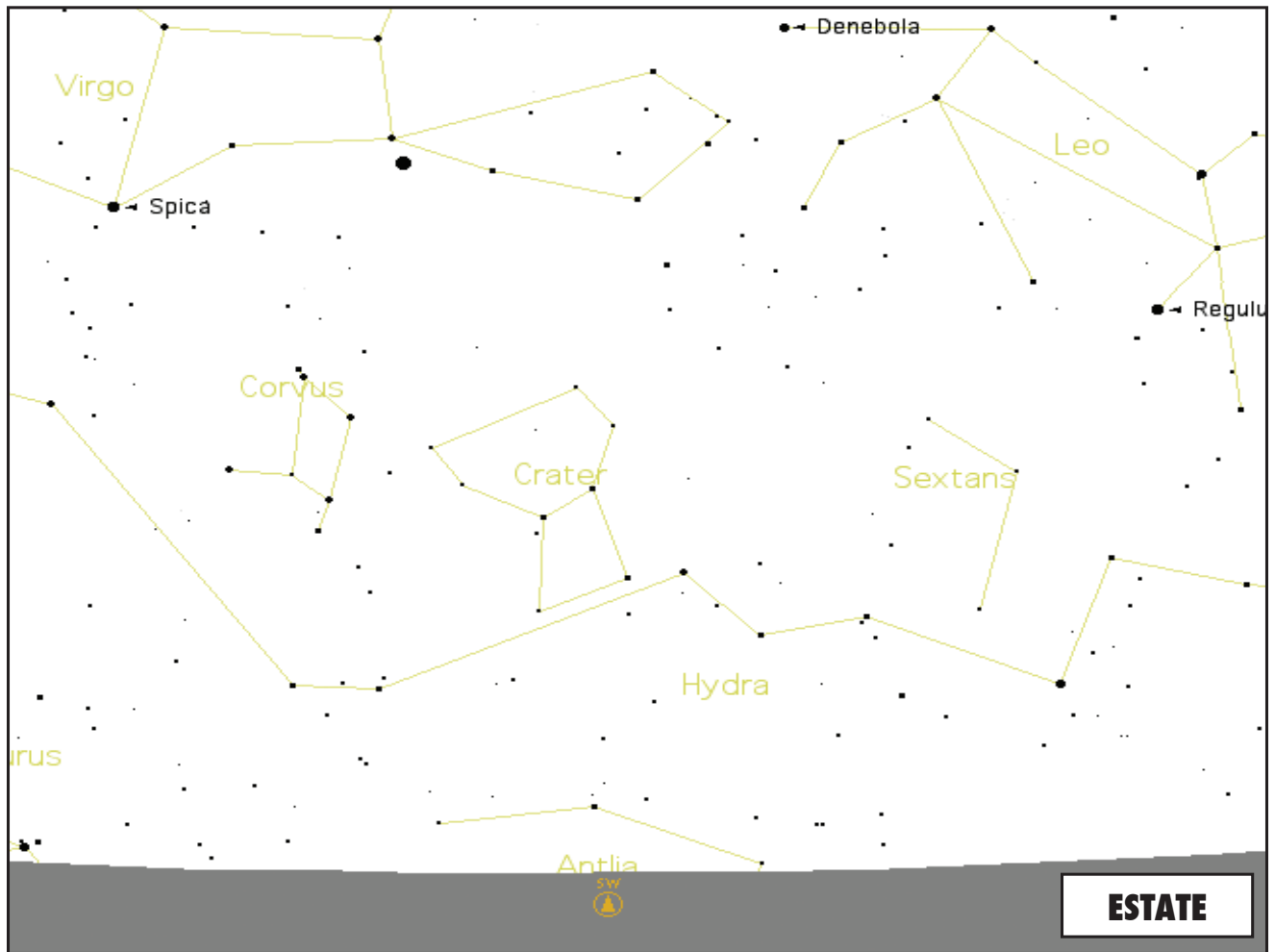
**SELECT MODE**  
**TELESCOPE ↑↓**

Esempio di ciò che appare sullo schermo:

**RA18:53 DEC+38.7**  
**AZ280 ALT+62 LYR**

La modalità TELESCOPE fornisce informazioni in tempo reale sulla posizione del telescopio in termini di coordinate astronomiche. Sperimentare con questa modalità spostando il telescopio. Notare l'abbreviazione a tre lettere nella parte inferiore a destra dello schermo. Essa visualizza in modo dinamico la costellazione su cui è puntato il telescopio. I nomi, in questa modalità, sono abbreviati. Le definizioni per le abbreviazioni sono riportate nell'indice del catalogo.





# NOTES



# WARRANTY / REPAIR

WARRANTY / REPAIR

## TWO YEAR LIMITED WARRANTY

Your Bushnell® telescope with electronic components is warranted to be free of defects in materials and workmanship for two years after the date of purchase. In the event of a defect under this warranty, we will, at our option, repair or replace the product, provided that you return the product postage prepaid. This warranty does not cover damages caused by misuse, improper handling, installation, or maintenance provided by someone other than a Bushnell Authorized Service Department.

Any return made under this warranty must be accompanied by the items listed below:

- 1) A check/money order in the amount of \$15.00 to cover the cost of postage and handling
- 2) Name and address for product return
- 3) An explanation of the defect
- 4) Proof of Date Purchased
- 5) Product should be well packed in a sturdy outside shipping carton, to prevent damage in transit, with return postage prepaid to the address listed below:

**IN U.S.A. Send To:**

Bushnell Outdoor Products  
Attn.: Repairs  
8500 Marshall Drive  
Lenexa, Kansas 66214

**IN CANADA Send To:**

Bushnell Outdoor Products  
Attn.: Repairs  
25A East Pearce Street, Unit 1  
Richmond Hill, Ontario L4B 2M9

For products purchased outside the United States or Canada please contact your local dealer for applicable warranty information. In Europe you may also contact Bushnell at:

BUSHNELL Performance Optics GmbH  
European Service Centre  
MORSESTRASSE 4  
D- 50769 KÖLN  
GERMANY  
Tél: +49 (0) 221 709 939 3  
Fax: +49 (0) 221 709 939 8

This warranty gives you specific legal rights.  
You may have other rights which vary from country to country.  
©2007 Bushnell Outdoor Products

**Dichiarazione relativa alla normativa FCC (Federal Communications Commission):**

In base alle prove eseguite su questo apparecchio, se ne è determinata la conformità ai limiti relativi ai dispositivi digitali di Classe B, secondo la Parte 15 delle norme FCC. Tali limiti sono stati concepiti per fornire una protezione adeguata da interferenze pericolose in ambiente domestico. Questo apparecchio genera, utilizza e può irradiare energia a radiofrequenza e, se non installato e utilizzato secondo le istruzioni, può causare interferenze dannose per le comunicazioni radio. Tuttavia, non esiste alcuna garanzia che, in uno specifico impianto, non si verifichino interferenze. Se questo apparecchio causasse interferenze dannose per la ricezione dei segnali radio o televisivi, determinabili spegnendolo e riaccendendolo, si consiglia di tentare di rimediare all'interferenza con uno o più dei seguenti metodi.

- Cambiare l'orientamento dell'antenna ricevente o spostarla.
- Aumentare la distanza tra l'apparecchio e il ricevitore.
- Collegare l'apparecchio a una presa inserita in un circuito diverso da quello a cui è collegato il ricevitore.
- Rivolgersi al rivenditore o a un tecnico radio/TV qualificato.

Per soddisfare la conformità di questo apparecchio ai limiti relativi ai dispositivi digitali di Classe B, secondo la Parte 15 delle norme FCC occorre adoperare con esso un cavo di interfaccia schermato.



I dati tecnici e progettuali sono soggetti a modifiche senza preavviso o obbligo da parte del produttore.

# PORTUGUÊS

Parabéns pela aquisição do telescópio Bushnell Discoverer com saída Real Voice (Voz Real)! Este é um dos primeiros telescópios criados com narrações para educar você sobre o céu noturno. Pense neste recurso como seu assistente pessoal de astronomia.

Após ler completamente este manual e preparar para a sua sessão de observação como descrita nas páginas seguintes, você já poderá começar a desfrutar do recurso de saída de Voz Real fazendo o seguinte:

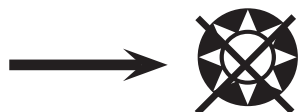
Para ativar o telescópio, basta ligá-lo! O recurso de saída de voz real está integrado no aparelho do controle remoto manual.

Durante o processo de alinhamento, o telescópio narrará diversos comentários úteis. Concluído o alinhamento, o recurso de saída de voz real iluminará toda vez que a tecla Enter for pressionada quando o número ou nome de um objeto for exibido na parte inferior direita da tela LCD. A descrição do objeto será narrada enquanto você segue a descrição do texto que rola na tela.

Caso queira desativar o recurso de narração, ele pode ser cancelado pressionando-se o botão “Back” no teclado do controle remoto.

Esperamos que você aproveite seu telescópio por muitos anos!

## DISCOVERER



**NUNCA OLHE DIRETAMENTE PARA O SOL  
COM O TELESCÓPIO**

**PODERÃO OCORRER LESÕES  
PERMANENTES EM SEUS OLHOS**

## POR ONDE DEVO COMEÇAR?

Seu telescópio Bushnell pode trazer as maravilhas do universo aos seus olhos. Embora este manual pretenda auxiliar na configuração e uso básico deste instrumento, ele não abrange tudo aquilo que talvez você gostaria de saber sobre astronomia. Apesar do Discoverer oferecer um belo tour pelo céu noturno, recomenda-se comprar um mapa de estrelas e uma lanterna com luz vermelha ou papel celofane vermelho sobre a sua extremidade. Um guia básico de astronomia será essencial para observar outros objetos além de estrelas e constelações. Algumas fontes recomendadas podem ser encontradas em nosso website – [www.bushnell.com](http://www.bushnell.com). Nosso website também incluirá eventos que estão ocorrendo no céu e que valem a pena ser vistos. Outros objetos habituais que podem ser observados:

**A lua**— uma incrível vista das proximidades da lua pode ser apreciada com qualquer ampliação. Experimente fazer observações durante as diferentes fases da lua. A superfície esburadada (lunar highlands), a Maria Lunar (áreas baixas ou planícies também conhecidas como “mares” por sua coloração escura), crateras, cristas e montanhas vão lhe deixar estarrecido.

**Saturno**— mesmo na potência mais baixa será possível observar os anéis e as luas de Saturno. É um dos objetos mais aprazíveis de ver no céu, simplesmente porque parece exatamente como mostram as fotografias. Imagine observar de seu próprio quintal aquilo que você já viu em centenas de livros ou imagens da NASA!

**Júpiter**— o maior planeta de nosso sistema solar é espetacular. Suas características mais marcantes são as listras ou faixas escuras acima e abaixo de seu equador: cintas equatoriais norte e sul. De grande interesse são também as quatro luas de Júpiter. Preste atenção nas suas posições em diferentes noites: elas parecem estar alinhadas em qualquer uma das faces de Júpiter.

**Marte**— o grande planeta vermelho aparece como um disco laranja avermelhado. Observe-o durante diferentes épocas do ano e tente dar uma espiada nas calotas de gelo polar.

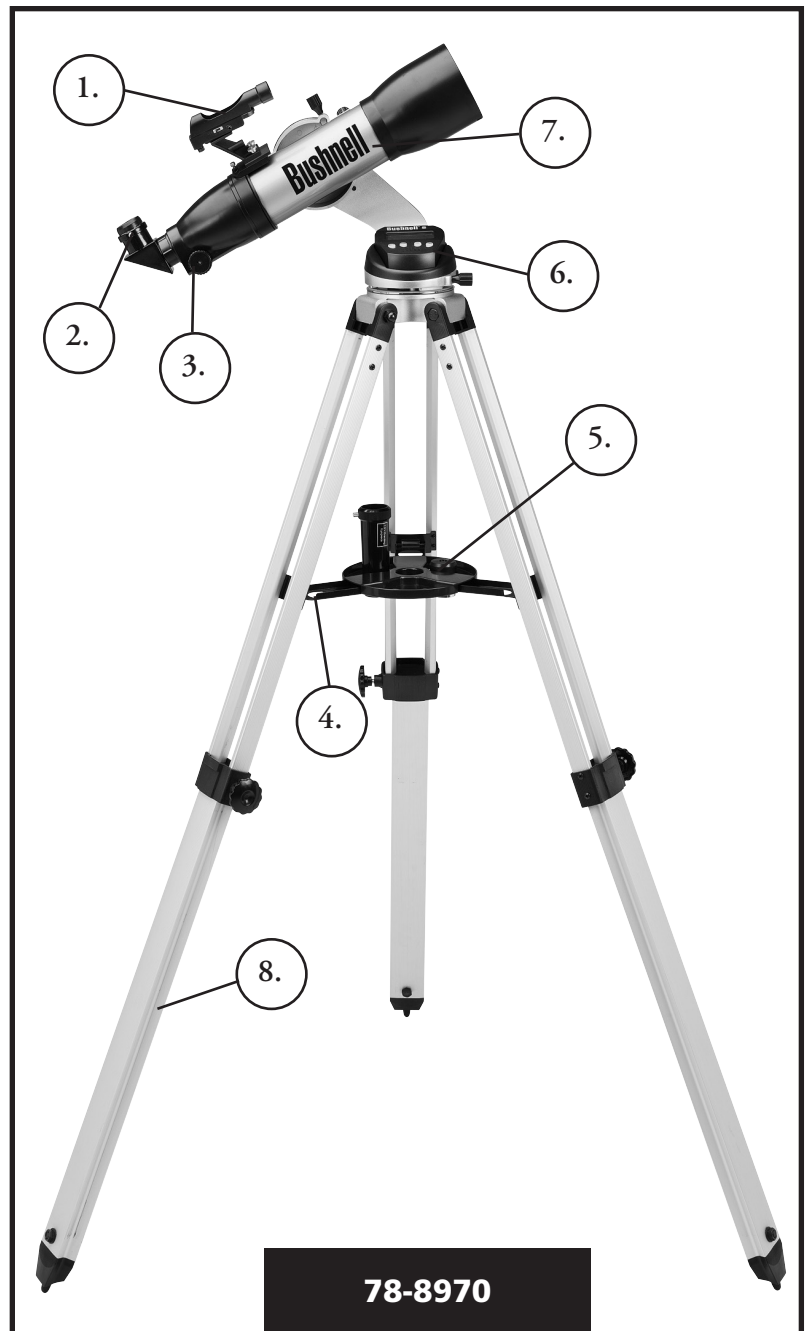
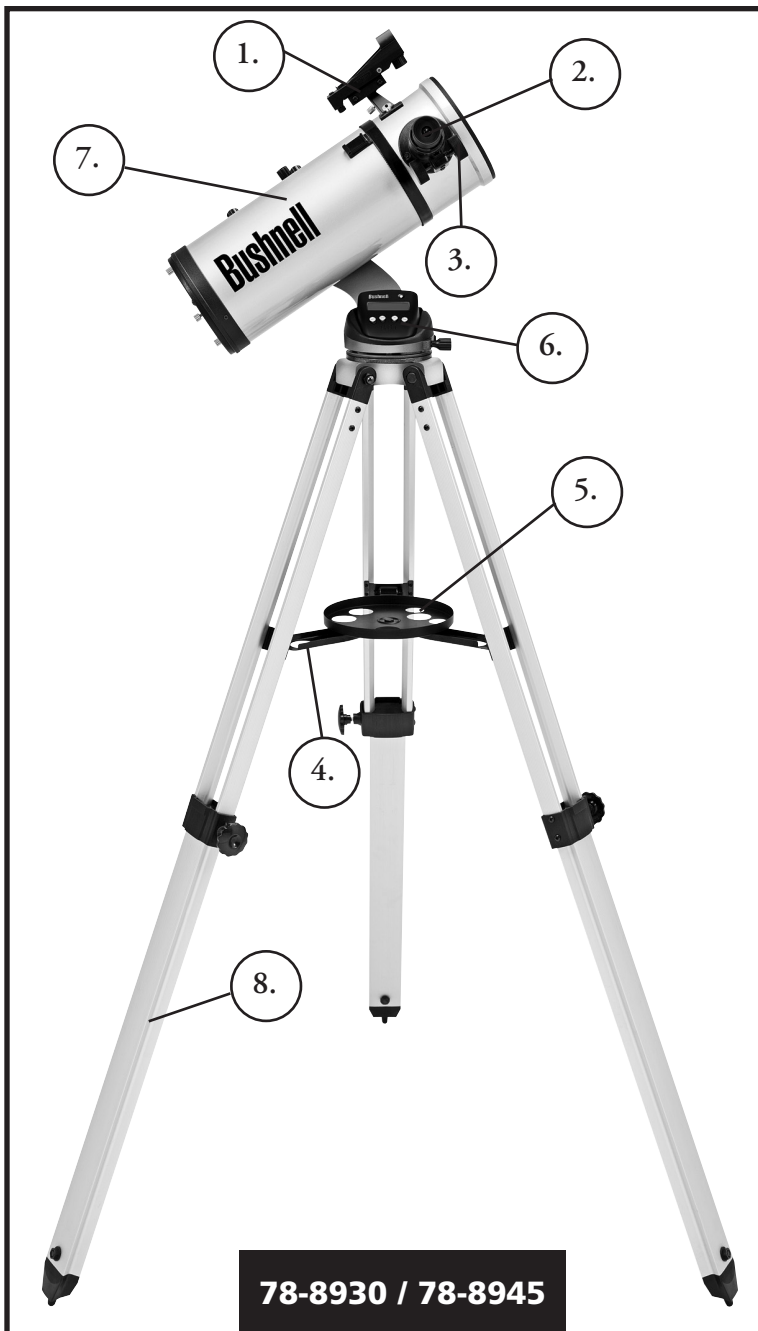
**Vênus**— assim como a Lua, Vênus muda de fase de mês a mês. Às vezes Vênus brilha no céu noturno, como se fosse uma distante lua crescente.

**Nebulosa**—A grande Nebulosa de Orion é um objeto muito conhecido do céu noturno. Ela e muitas outras nebulosas podem ser observadas com este telescópio.

**Aglomerados de estrelas**— observe milhares de estrelas densamente aglomeradas como uma bola.

**Galáxias**— Uma das maiores e mais interessantes galáxias nas proximidades é a Galáxia de Andrômeda. Observe esta e muitas outras.

## DIAGRAMA DE PEÇAS



### Diagrama de peças do telescópio

1. Buscadora de ponto vermelho
2. Ocular com formato de 1,25"
3. Mecanismo de foco de cremalheira e pinhão
4. Suporte de bandeja para acessórios
5. Bandeja de acessórios com desengate rápido
6. Controlador remoto de computador
7. Tubo do telescópio principal
8. Tripé ajustável de alumínio

## GUIA DE MONTAGEM RÁPIDA

78-8970 / 78-8930 / 78-8945



Empurre os parafusos de fixação no tubo do telescópio pelos furos no suporte do tubo (retire antes as porcas de aperto manual). A seguir, conecte e aperte as porcas para manter o tubo com segurança no lugar.

78-8970 / 78-8930 / 78-8945



Empurre levemente a bandeja de acessórios de destravamento rápido no cubo, no centro do suporte da bandeja.

## PARTS LIST

- Conjunto do tripé de alumínio ajustável  
(Pré-montado na base do localizador de estrelas computadorizado Discoverer )
- Bandeja de acessórios com desengate rápido
- Telescópio Discoverer com porcas de aperto manual
- Oculares (2)
- Buscadora de ponto vermelho
- Lente Barlow (Refletor)
- Espelho diagonal (788970 refratore)

## MONTAGEM DETALHADA

Nenhuma ferramenta é necessária para a montagem do telescópio.

Retire todos os componentes da caixa e identifique-os. É uma boa idéia dispor todas as peças na sua frente antes de iniciar a montagem. Como o telescópio é um sistema óptico de precisão, as peças devem ser manuseadas com cuidado, principalmente o computador integrado, telescópio, oculares e as diversas lentes acessórias.

### CONFIGURAÇÃO DO TRIPÉ E BANDEJA PARA ACESSÓRIOS

1. Levante o conjunto do localizador de estrelas computadorizado Discoverer e as pernas do tripé conectadas na posição vertical. Separe as pernas do tripé para uma distância confortável.
2. Dobre os suportes da bandeja para acessórios e coloque a bandeja com desengate rápido sobre os suportes. (Veja o diagrama de montagem rápida)
3. Gire a bandeja de acessórios até encaixar no lugar.
4. Ajuste o tripé: abra a alavanca e estenda suas pernas até a altura desejada.

### CONECTE O TUBO DO TELESCÓPIO

1. Localize o tubo do telescópio principal.
2. Retire as porcas de aperto manual do tubo do telescópio.
3. Posicione os parafusos de fixação do tubo do telescópio principal pelo suporte do tubo na parte superior do conjunto do localizador de estrelas computadorizado Discoverer.
4. Reconecte as porcas de aperto manual do telescópio aos parafusos de fixação do tubo do telescópio principal quando este último e o conjunto localizador de estrelas computadorizado Discoverer estiverem montados juntos.

### CONECTE OS ACESSÓRIOS FINAIS DO TELESCÓPIO

1. Localize a buscadora de ponto vermelho.

NOTA: A extremidade grande da buscadora deve estar voltada para a extremidade aberta do tubo do telescópio.

2. Conecte a ocular de baixa potência.
3. Aperte todos os parafusos de ajuste para prender os acessórios.

### SELEÇÃO DA OCULAR

Você deve sempre iniciar a observação com a ocular menos potente, que neste caso é a lente de 20 mm. Nota: a potência básica de cada ocular é determinada pela distância focal da lente objetiva do telescópio. Pode-se usar uma fórmula para determinar a potência de cada ocular: distância focal da lente OBJETIVA do telescópio dividida pela distância focal da OCULAR = AMPLIAÇÃO (por exemplo, utilizando uma lente de 20 mm, o cálculo poderia ter a seguinte aparência:  $750 \text{ mm} / 20 = 38x$  ou ampliação (potência) 38. A distância focal de diferentes modelos de telescópios varia.)

#### (Refletor)

Este telescópio inclui uma lente Barlow. As lentes Barlow são usadas para duplicar ou triplicar a potência do telescópio. Coloque a lente Barlow entre o tubo de focalização e a ocular. Usando o exemplo acima, a lente Barlow 3x forneceria uma ampliação total 114x ou ampliação (potência) 114. ( $38 \times 3 = 114x$  ou ampliação (potência) 114). O cálculo da ampliação teria a seguinte aparência:  $750 \text{ mm} / 20\text{mm} = \text{ampliação (potência) } 38. 38 \times 3 = \text{ampliação (potência) } 114.$

## MONTAGEM DETALHADA CONTINUAÇÃO

### COMO FOCALIZAR O TELESCÓPIO

1. Após selecionar a ocular desejada, mire o tubo do telescópio principal em um alvo terrestre que esteja no mínimo a 180 metros de distância (como um poste telefônico ou prédio).
2. Estenda totalmente o tubo de focalização girando o mecanismo de focalização de cremalheira e pinhão.
3. Olhando pela ocular selecionada (neste caso a de 20 mm), retraia lentamente o tubo de focalização girando o mecanismo de cremalheira e pinhão até o objeto entrar em foco.

### CONECTE O CONTROLADOR REMOTO DO COMPUTADOR E A PILHA

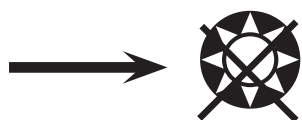
1. Localize o controlador remoto do computador e o fio enrolado.
2. Localize a tampa do compartimento de pilha na base do localizador de estrelas computadorizado Discoverer.
3. Retire a tampa do compartimento e insira uma pilha de 9V.
4. Recoloque a tampa.
5. Conecte o controlador remoto de computador com o fio enrolado à base do localizador de estrelas computadorizado Discoverer.

### COMO ALINHAR A BUSCADORA

Olhe pelo tubo do telescópio principal e estabeleça um alvo bem definido. (veja a seção Como focar o telescópio)  
Retire o isolante plástico entre a pilha da buscadora de ponto vermelho e o clipe da pilha.  
Ligue a buscadora de ponto vermelho.

Olhando pela buscadora de ponto vermelho, gire as rodas de ajuste até que o ponto vermelho esteja precisamente centrado no mesmo objeto que já se encontra centrado no campo de visão do tubo do telescópio principal.

Agora os objetos inicialmente localizados com a buscadora de ponto vermelho estarão centrados no campo de visão do telescópio principal.



**NUNCA OLHE DIRETAMENTE PARA O SOL  
COM O TELESCÓPIO**

**PODERÃO OCORRER LESÕES PERMANENTES  
EM SEUS OLHOS**



## DESFUTANDO SEU NOVO TELESCÓPIO

1. Em primeiro lugar, estabeleça o objeto alvo. Qualquer objeto brilhante no céu noturno é um bom ponto de partida. Um dos favoritos na astronomia é a Lua. Ela seguramente agradará a todo astrônomo principiante ou mesmo um veterano experiente. Quando você se tornar proficiente neste nível, outros objetos se tornarão bons alvos. Saturno, Marte, Júpiter e Vênus são outras boas opções em uma segunda etapa.
2. A primeira coisa que deve ser feita após montar o telescópio como planejado é centralizar o objeto desejado nos visores da buscadora. Uma vez que tenha sido feito um trabalho razoável no alinhamento da buscadora, uma rápida olhadela pelo tubo do telescópio principal em baixa potência deverá revelar a mesma imagem. Com a ocular de potência mais baixa (aquela com o maior número impresso sobre ela), você deverá ter condições de focalizar a mesma imagem observada pela buscadora. Evite a tentação de passar diretamente para a potência mais elevada. A ocular de baixa potência oferecerá um campo de visão mais amplo e uma imagem mais clara, tornando muito fácil encontrar o objeto alvo. Agora, com a imagem focalizada em ambos os telescópios, você já venceu o primeiro obstáculo. Caso não apareça a imagem após a tentativa de focalizá-la, talvez seja uma boa idéia alinhar a buscadora novamente. Uma vez ultrapassada esta etapa, você desfrutará o tempo dedicado para assegurar um bom alinhamento. Todo objeto centrado na buscadora será facilmente encontrado no tubo do telescópio principal, o que é importante para continuar explorando o céu noturno.
3. As oculares de menor potência são perfeitas para observar a lua cheia, planetas, aglomerados de estrelas, nebulosas e até mesmo constelações. Elas devem desenvolver seu alicerce. Entretanto, para obter maiores detalhes, tente aumentar a ampliação com as oculares de potência mais elevada em alguns desses objetos. É maravilhoso observar a linha de separação entre a parte iluminada e não iluminada da Lua (denominada “Terminador”) com potências elevadas nas noites calmas e claras. É possível observar montanhas, cristas e crateras que chamam sua atenção devido aos seus contrastes. De mesma maneira é possível usar ampliações maiores na observação de planetas e nebulosas. Aglomerados de estrelas e estrelas individuais são sempre melhor visualizados com potências menores.
4. O espetáculo que denominamos “tela” do céu noturno está constantemente mudando. Em outras palavras, o “filme” não fica em cartaz mais de uma vez. Ao contrário, as posições das estrelas mudam não somente no instante que parecem nascer e se pôr, mas também no decorrer do ano. À medida que a terra descreve sua órbita em torno do Sol, nossa perspectiva das estrelas muda segundo um ciclo anual em relação àquela órbita. A razão pela qual o céu parece estar diariamente em movimento, assim como o Sol e a Lua “se movimentam” pelo céu, é que a terra gira em torno de seu próprio eixo. Conseqüentemente, você poderá notar que após alguns minutos, ou mesmo segundos, dependendo da potência na qual você está fazendo a observação, os objetos mudarão de posição no telescópio. Principalmente em ampliações maiores, você notará que a Lua ou Júpiter “correm” para fora do campo de visão. Para compensar, basta mudar seu telescópio para “rastrear” o objeto na trajetória necessária.

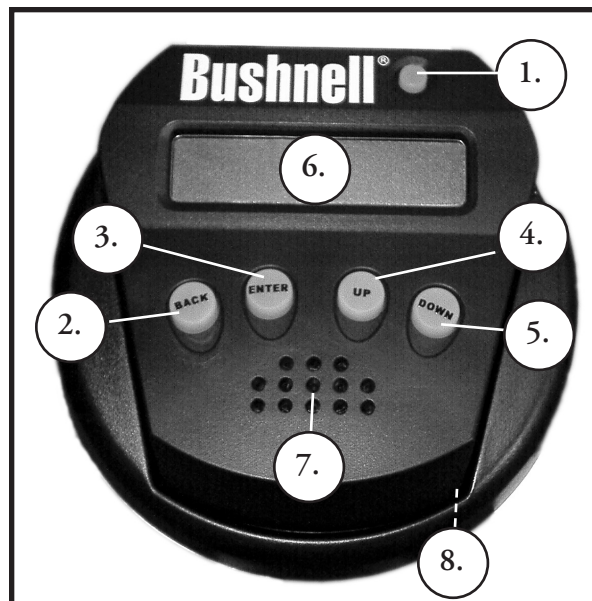


## DICAS ÚTEIS

1. Seu telescópio é um instrumento extremamente sensível. Para melhores resultados e menos vibrações, coloque o telescópio em um local nivelado sobre o solo, em vez de deixá-lo na entrada da garagem de concreto ou sobre deques de madeira. Isso fornecerá uma base mais estável para a observação, principalmente quando ele chamar a atenção de outras pessoas.
2. Se possível, faça a observação a partir de um local que, relativamente, possua poucas lâmpadas. Isto permitirá ver objetos mais desvanecidos. Você ficará supreso em saber o quanto mais pode ser visto a partir do parque ou lago local quando comparado com o fundo do quintal encontrado em uma cidade iluminada.
3. JAMAIS se recomenda utilizar o telescópio pela janela.
4. Se possível, observe objetos que estejam bem no alto do céu. Aguardar até que objeto esteja acima da linha do horizonte proporcionará uma imagem mais nítida e brilhante. Os objetos no horizonte são vistos através de diversas camadas da atmosfera terrestre. Você já pensou por que a lua parece ter uma cor alaranjada quando se põe no horizonte? É porque você está observando por uma quantidade de atmosfera consideravelmente maior do que se ela estivesse diretamente acima. (Nota: se os objetos no céu parecerem distorcidos ou ondulados, você provavelmente está observando em uma noite de umidade muito elevada.) Durante as noites em que a atmosfera se encontra instável, a utilização do telescópio poderá ser muito frustrante, quando não impossível. Os astrônomos se referem às noites claras e nítidas como noites para “fazer boas observações.”

## COMPUTADOR DISCOVERER DIAGRAMA DE INTERFACE

1. Botão liga/desliga
2. Botão Back (voltar)
3. Botão Enter
4. Botão Scroll Up (Rolagem para cima)
5. Botão Scroll Down (Rolagem para baixo)
6. Tela LCD
7. Alto-falante (saída de voz real)
8. Tampa do compartimento de pilhas (não indicada – localizada na base abaixo do controlador)



## FUNÇÕES DOS BOTÕES

### TODOS OS BOTÕES SE ILUMINAM PARA QUE POSSAM SER USADOS À NOITE.

**Botão On/Off (liga/desliga):** o botão On/Off ligará e desligará o localizador de estrelas computadorizado Discoverer. Para desligar a unidade, basta pressionar, manter o botão On/Off pressionado por três segundos e soltar. (Nota: o localizador de estrelas computadorizado Discoverer se desligará automaticamente após 10 minutos de inatividade.)

**Botão Back (Voltar):** este botão funciona para navegar ao nível anterior dentro do quadro operacional e/ou retornar ao nível de entrada anterior. Caso queira desativar o recurso de narração, ele pode ser cancelado pressionando-se o botão “Back” no teclado de controle remoto.

**Botão Enter:** este botão seleciona certas opções do menu. Ao pressionar ENTER, Discoverer avançará para o nível selecionado. Quando o nome ou número de um objeto estiver relacionado na tela, o botão ENTER pode ser pressionado para se ouvir uma narração e ver a descrição do objeto com o texto rolando pela tela.

**Botão Scroll Up (Rolagem para cima):** este botão opera para movimentar a tela através de vários menus do Discoverer no sentido de baixo para cima. Toda vez que você encontra a opção de um número/texto piscando, o botão scroll exibirá as diversas opções do menu em questão. (Nota: Para selecionar uma opção à qual você já tenha passado, basta pressionar o botão ENTER.)

**Botão Scroll Down (Rolagem para baixo):** este botão opera para movimentar a tela através de vários menus do Discoverer no sentido de cima para baixo. Toda vez que você encontra a opção de um número/texto piscando, o botão scroll exibirá as diversas opções do menu em questão. (Nota: Para selecionar uma opção para qual você rolou a tela, basta pressionar o botão ENTER.)

## TELA LCD

A tela de cristal líquido (LCD) exibe textos de dezesseis caracteres em duas linhas. Assim como os botões, a tela LCD acende durante observações feitas à noite.

## VISÃO GERAL DOS MODOS DO PRODUTO

**Explore (Explorar):** o modo Explore do Discoverer oferece a capacidade de explorar diversos objetos astronômicos categorizados por tipo. Esses objetos se enquadrariam em uma ou mais das seguintes classificações: deep sky, planetas, constelações e estrelas. Cada uma dessas subclassificações também incluiriam subcategorias de objetos sob sua estrutura do menu. (Consulte o menu em árvore para uma lista completa das funções e opções de menu.)

**Sky Tour (Viagem pelo céu):** o modo Sky Tour do Discoverer oferece o recurso de fazer um tour rápido pelos melhores e mais brilhantes objetos durante qualquer mês do ano. Se a data tiver sido introduzida no sistema, o modo Sky Tour tornará automaticamente aquele mês como padrão. A seleção de objetos pode ser feita utilizando as setas de rolagem para cima ou para baixo e pressionando ENTER. Para encontrar informações adicionais sobre qualquer objeto, pressione o botão ENTER enquanto ele estiver exibido para ver a mensagem do texto que rola na tela.

**Telescope (Telescópio):** o modo Telescope do Discoverer oferece dados em tempo real sobre o objeto para onde o telescópio está apontando. As coordenadas astronômicas para ascensão reta (RA), declinação (DEC), altitude (ALT) e azimute (AZ) são exibidas simultaneamente. Além disso, no canto inferior direito será exibida a abreviação da constelação para o qual o telescópio está apontando no momento.

**Identify (Identificar):** o modo Identify do Discoverer oferece o recurso para identificar qualquer objeto dentro do campo de visão do telescópio. As subcategorias para diferentes classes de objetos identificáveis estão incluídas, assim como a opção Identify Any (Identificar qualquer objeto).

**Align Star (Alinhar estrela):** o modo Alinhar estrela do Discoverer oferece o recurso de alinhar o telescópio utilizando certos conhecimentos de astronomia. Conhecendo a localização de duas estrelas no céu, um amador poderá rapidamente começar a usar o banco de dados do Discoverer para localizar objetos astronômicos deslumbrantes.

## COMO ALINHAR O DISCOVERER PELA PRIMEIRA VEZ

(NOTA: certifique-se de que o telescópio esteja assentado sobre uma superfície nivelada.)

### ETAPA 1:

Retire o aparelho de controle remoto manual antes de ligar o telescópio. Quando o telescópio for ligado, uma mensagem será narrada e exibida na tela :

#### **BUSHNELL DISCOVERER Vx.x**

Em seguida aparecerá o menu padrão:

**SELECT MODE**  
**ALIGN STAR ↑↓**

A opção ALIGN STAR está piscando.

Pressione ENTER para selecionar a opção ALIGN STAR (ALINHAR ESTRELA).

NOTA: TODO ITEM QUE ESTIVER PISCANDO NA TELA CONSTITUI UMA OPÇÃO DO MENU. OUTRAS OPÇÕES SE ENCONTRAM DISPONÍVEIS UTILIZANDO OS BOTÕES SCROLL UP (ROLAGEM PARA CIMA) OU SCROLL DOWN (ROLAGEM PARA BAIXO).

Uma mensagem rolante indica para CENTER STAR 1 THEN PRESS ENTER (CENTRALIZAR ESTRELA 1 E PRESSIONAR ENTER)

Para centrar a estrela-guia, basta selecionar uma estrela conhecida a partir da lista na tela. Repita o procedimento para a segunda estrela.

Após concluir esta etapa, aparecerá a seguinte mensagem na tela:

**ALIGN COMPLETE**  
**RATING \*\*\*\*\***

(Nota: Quanto mais estrelas aparecerem na segunda linha da tela, melhor. O número máximo é 5)

## COMO USAR O DISCOVERER PELA PRIMEIRA VEZ

Após o ALIGN STAR (ALINHAR ESTRELA) a tela exibirá:

**SELECT MODE**  
**EXPLORE ↑↓**

Selecione EXPLORE pressionando ENTER. Movimente a tela PARA CIMA e PARA BAIXO para ver as opções disponíveis do menu (aquelas que aparecem piscando). Selecione PLANET (PLANETA). Esta é uma das opções mais interessantes. Mesmo que você esteja utilizando o telescópio pela primeira vez, os objetos dos PLANETAS podem ser extremamente emocionantes.

Pressione ENTER quando a tela exibir:

**EXPLORE**  
**PLANET**

Isso trará uma lista dos objetos relacionados dos PLANETAS. Usando o botão SCROLL UP ou SCROLL DOWN, você poderá explorar diversos itens na lista de objetos.

**PLANET**  
**JUPITER ↑↓**

Pressione ENTER para selecionar o PLANETA desejado. A tela passará a exibir:

**PLANET**  
**←120 ↑52 JUPITER**

## COMO USAR O DISCOVERER PELA PRIMEIRA VEZ (Continuação)

NOTA: SE O OBJETO SE ENCONTRAR ABAIXO DO HORIZONTE, A TELA EXIBIRÁ PERIODICAMENTE A PALAVRA “HORIZON” (HORIZONTE).

Mova a tela PARA CIMA ou PARA BAIXO a fim de ver outros PLANETAS relacionados na lista. Observe que a tela fornece orientações para cada objeto. Mas se você estiver usando o equipamento pela primeira vez e quiser descobrir informações adicionais sobre o objeto? Não seria interessante saber sobre o que se trata o objeto antes de movimentar o telescópio?

PRESSIONE ENTER quando:

### PLANET

#### ←120 ↑52 JUPITER

for exibido qualquer item do PLANETA. Você verá uma mensagem com o texto rolando, informando sobre as coordenadas do objeto, seu brilho, seu tamanho, qual seu nome correto, em que constelação se encontra e uma descrição resumida sobre o que se trata. No caso de JÚPITER, aparece:

**JUPITER fifth planet from sun.  
Largest planet in solar system.  
16 moons. Orbit is 11.86 years.  
Diameter 143,000 km. Named for roman king of gods.**

Agora imagine que você é um pai/uma mãe tentando impressionar suas crianças (ou vice-versa). Em apenas dez minutos de observação, você já estará aprendendo sobre objetos astronômicos. É uma ferramenta extremamente educacional!!!

Cada vez que o botão BACK for pressionado, ele retornará para o nível anterior. Pressione este botão três vezes e você estará de volta ao menu do nível principal. A tela exibirá:

### SELECT MODE EXPLORE ↑↓

Role a tela PARA CIMA ou PARA BAIXO para selecionar

### SELECT MODE SKY TOUR ↑↓

Pressione ENTER

Este modo mostrará os melhores e mais brilhosos objetos de cada mês. Caso já tenha concluído o alinhamento ALIGN STAR (ALINHAR ESTRELA) e introduzido a data, será mostrado automaticamente o mês atual. Você ainda está com dúvidas sobre o que esses objetos obscuros e abreviações significam? Basta pressionar a tecla ENTER para obter informações adicionais.

Pressione o botão BACK até retornar ao menu principal:

### SELECT MODE SKY TOUR ↑↓

Role a tela PARA CIMA ou PARA BAIXO até que seja exibido:

### SELECT MODE IDENTIFY ↑↓

PRESSIONE ENTER

Este modo exibirá o nível

### IDENTIFY ANY

Ao selecionar esta opção com a tecla ENTER, ela IDENTIFICARÁ o objeto que está sendo observado OU o objeto mais próximo daquele para o qual o telescópio está apontando. Você terá opções para selecionar outros tipos de menus IDENTIFY (IDENTIFICAR). Eles IDENTIFICARÃO os AGLOMERADOS, NEBULOSAS e outros objetos que se encontram mais próximos da posição atual do telescópio.

## MCOMO ALINHAR O Discoverer PELA PRIMEIRA VEZ (Continuação)

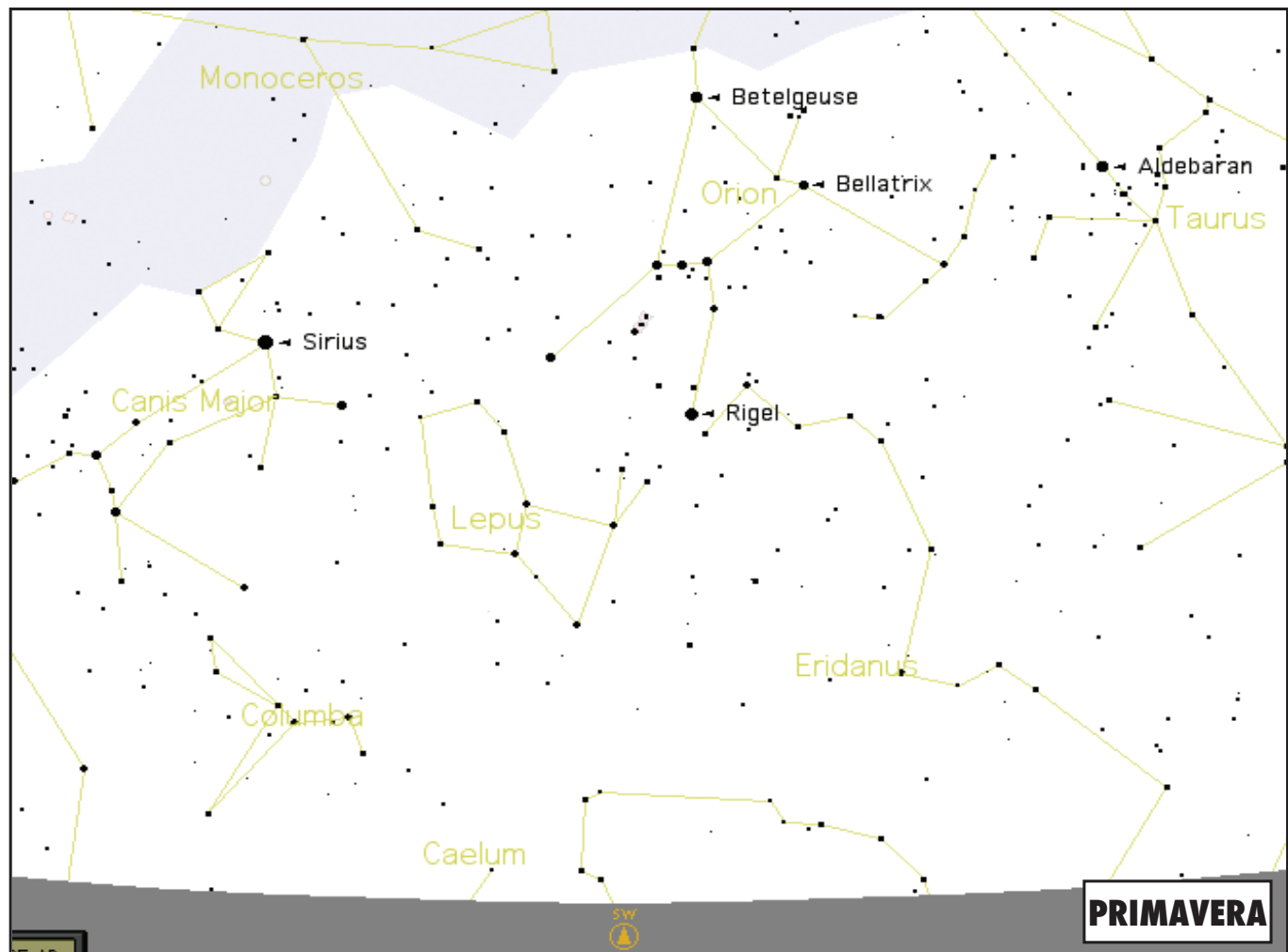
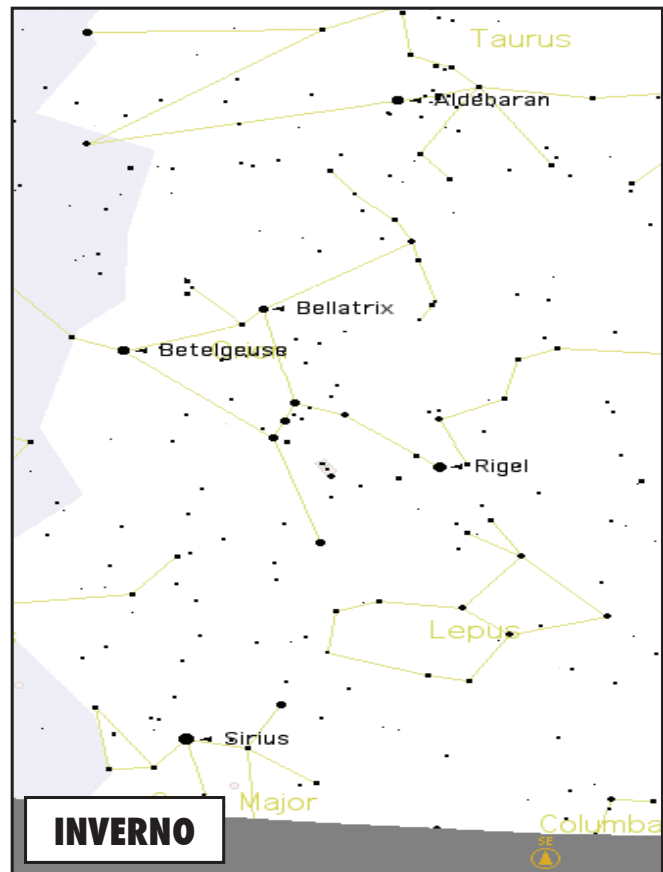
Para selecionar o modo final, pressione ENTER quando aparecer:

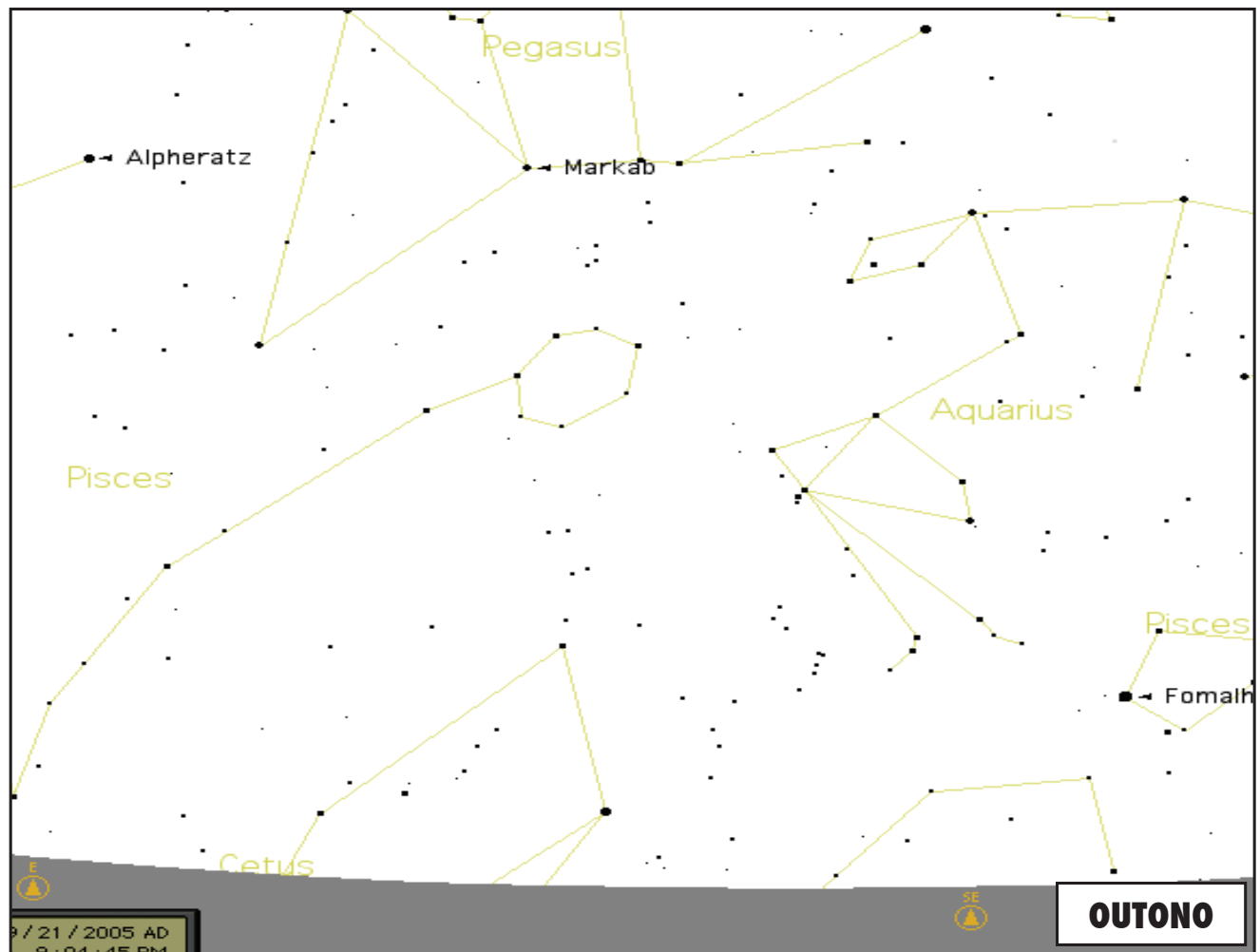
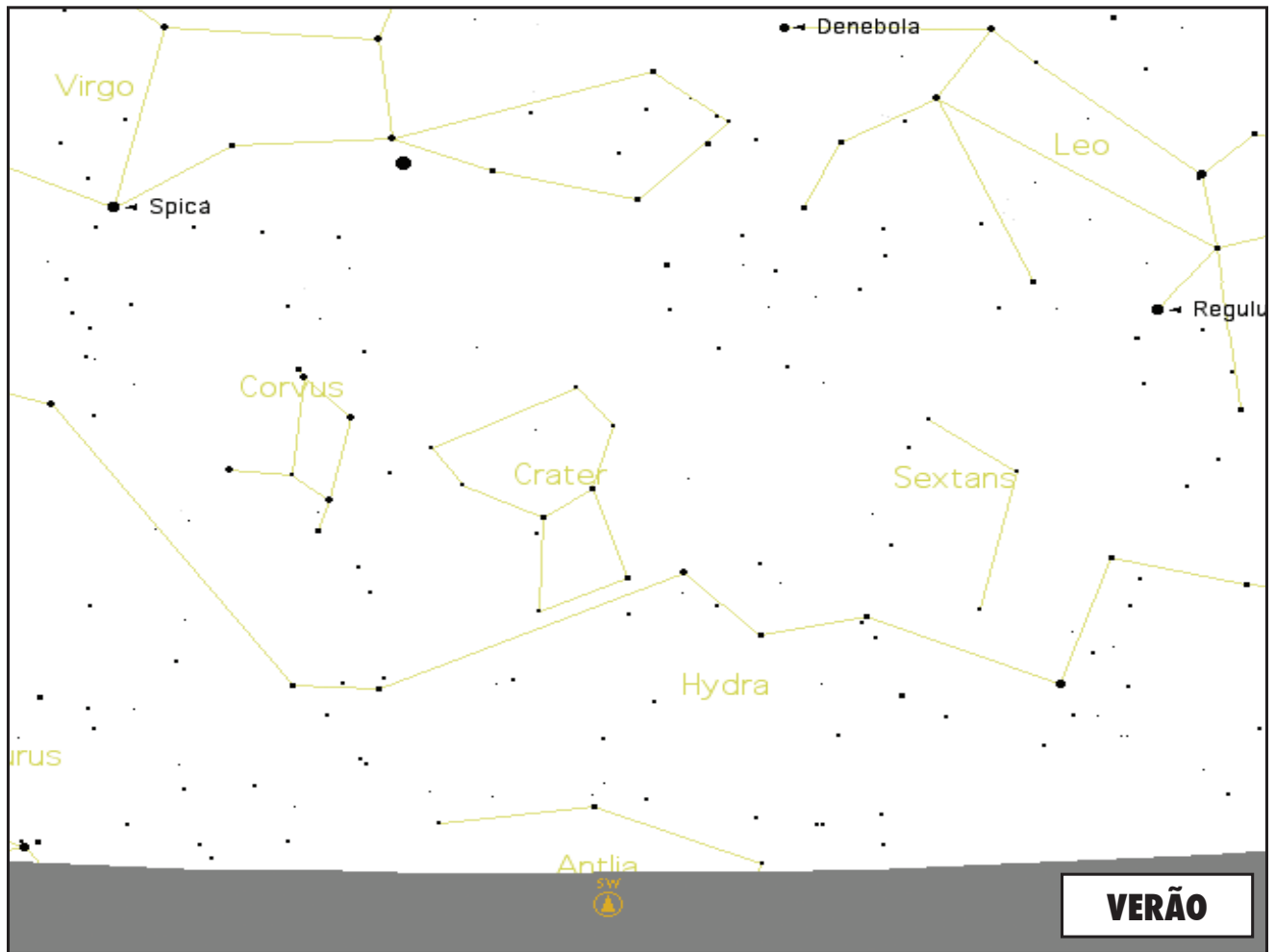
**SELECT MODE**  
**TELESCOPE ↑↓**

A tela exibirá algo semelhante a:

**RA18:53 DEC+38.7**  
**AZ280 ALT+62 LYR**

O modo TELESCOPE (TELESCÓPIO) fornece informações dinâmicas em tempo real sobre a posição atual do telescópio em termos de coordenadas astronômicas. Divirta-se com este modo movimentando o telescópio em diversas direções. Observe a abreviação de três letras no canto inferior direito da tela: elas exibem dinamicamente a CONSTELAÇÃO para a qual o telescópio está apontado. Neste modo, os nomes aparecem abreviados. As definições das abreviações se encontram no índice do catálogo.





9 / 21 / 2005 AD  
9:04:45 PM

**OUTONO**

# NOTES



# GARANTIA/CONSERTO

GARANTIA/CONSERTO

## GARANTIA VITALÍCIA LIMITADA PARA TELESCÓPIOS

Garantimos que durante a vida do proprietário original, o seu telescópio Bushnell® estará isento de defeitos materiais e de fabricação. A Garantia Vitalícia Limitada é uma expressão da nossa confiança nos materiais e na fabricação mecânica dos nossos produtos e é a sua garantia de um funcionamento seguro para toda a sua vida.

Se o seu telescópio contém componentes eletrônicos, garantimos que por dois anos após a data da aquisição estes componentes, estarão isentos de defeitos materiais ou de fabricação.

Caso tenha algum um defeito sob esta garantia, iremos à nossa opção, consertar ou trocar este produto desde que o produto seja devolvido com porte pago. Esta garantia não abrange danos causados por uso indevido, operação, instalação, ou manutenção incorretas efetuada por alguém a não ser que seja do Departamento do Serviço de Manutenção Autorizada da Bushnell.

Qualquer devolução efetuada sob esta garantia deve incluir os itens relacionados a seguir:

- 1) Um cheque/ordem de pagamento no montante de \$15,00 para cobrir as despesas de porte e gastos administrativos
- 2) Nome e endereço para a devolução do produto
- 3) Uma explicação do defeito
- 4) Comprovante da data de aquisição
- 5) O produto deve ser cuidadosamente embalado, numa caixa de papelão resistente para prevenir danos enquanto em trânsito e enviado para os endereços indicados a seguir com porte de devolução pago.

**NOS EUA REMETER PARA:**

Bushnell Outdoor Products  
Attn.: Repairs  
8500 Marshall Drive  
Lenexa, Kansas 66214

**NO CANADÁ REMETER PARA:**

Bushnell Outdoor Products  
Attn.: Repairs  
25A East Pearce Street, Unit 1  
Richmond Hill, Ontario L4B 2M9

Para produtos adquiridos fora dos Estados Unidos ou do Canadá favor contatar seu revendedor local quanto a informações aplicáveis referentes à sua garantia. A Bushnell também pode ser contactada na Europa pelo telefone:

BUSHNELL Performance Optics GmbH  
European Service Centre  
MORSESTRASSE 4  
D- 50769 KÖLN  
Alemanha  
Tél: +49 (0) 221 709 939 3  
Fax: +49 (0) 221 709 939 8

Esta garantia lhe dá direitos legais específicos.  
Poderá ter outros direitos que podem variar de país para país  
©2007 Bushnell Outdoor Products

**Nota da FCC:**

Este equipamento foi testado e verificou-se que cumpre com os limites para um dispositivo digital Classe B, de acordo com a Parte 15 das regras da FCC. Esses limites são estabelecidos para oferecer proteções adequadas contra a interferência prejudicial em uma instalação residencial. Este equipamento gera, usa e pode irradiar energia de radiofrequência e, se não for instalado e usado de acordo com as instruções, poderá causar interferência prejudicial nas radiocomunicações. Entretanto, não há garantia de que não ocorrerão casos de interferência em determinadas instalações. Se este equipamento causar interferência prejudicial na recepção de rádio ou televisão (a qual poderá ser determinada ligando-se e desligando-se o equipamento), tente corrigir o problema adotando uma ou mais das medidas seguintes:

- Reorientar ou mudar o lugar da antena receptora.
- Aumentar a distância entre o equipamento e receptor.
- Conectar o equipamento em uma tomada que faça parte de um circuito diferente daquele onde o receptor se encontra conectado.
- Consultar um representante ou um técnico experiente em rádio/televisão para auxílio.

O cabo de interferência blindado deve ser usado com o equipamento para cumprir os limites de dispositivo digital segundo a Sub-parte B da Parte 15 das Regras da FCC.



Projetos e especificações estão sujeitos a mudanças sem aviso prévio ou obrigação por parte do fabricante.

# NOTES

**FR****Participons à la protection de l'environnement !**

- ① Votre appareil contient de nombreux matériaux valorisables ou recyclables.
- ➔ Confiez celui-ci dans un point de collecte ou à défaut dans un centre service agréé pour que son traitement soit effectué.

**UK  
IE****Environment protection first !**

- ① Your appliance contains valuable materials which can be recovered or recycled.
- ➔ Leave it at a local civic waste collection point.

**DE  
AT****Schützen Sie die Umwelt!**

- ① Ihr Gerät enthält mehrere unterschiedliche, wiederverwertbare Wertstoffe.
- ➔ Bitte geben Sie Ihr Gerät zum Entsorgen nicht in den Hausmüll, sondern bringen Sie es zu einer speziellen Entsorgungsstelle für Elektrokleingeräte (Wertstoffhof).

**BE****Participons à la protection de l'environnement !**

- ① Votre appareil contient de nombreux matériaux valorisables ou recyclables.
- ➔ Confiez celui-ci dans un point de collecte ou à défaut dans un centre service agréé pour que son traitement soit effectué.

**Samen het milieu beschermen !**

- ① Uw toestel bevat meerdere recycleerbare materialen
- ➔ Breng deze naar een containerpark of naar een erkend service center, bevoegd voor de recyclage.

**DK****Vi skal alle være med til at beskytte miljøet!**

- ① Apparatet indeholder mange materialer, der kan genvindes eller genbruges.
- ➔ Bring det til et specialiseret indsamlingssted for genbrug eller et autoriseret serviceværksted, når det ikke skal bruges mere.

**ES****¡ ¡ Participe en la conservación del medio ambiente ! !**

- ① Su electrodoméstico contiene materiales recuperables y/o reciclables.
- ➔ Entréguelo al final de su vida útil, en un Centro de Recogida Específico o en uno de nuestros Servicios Oficiales Post Venta donde será tratado de forma adecuada

**FI****Huolehtikaamme ympäristöstä!**

- ① i Laitteesi on varustettu monilla arvokkailla ja kierrätettävillä materiaaleilla.
- ➔ Toimita laitteesi keräyspisteeseen tai sellaisen puuttuessa vaikka valtuutettuun huoltokeskukseen, jotta laitteen osat varmasti kierrätetään.

**GR****Ας συμβάλλουμε κι εμείς στην προστασία του περιβάλλοντος!**

- ① Η συσκευή σας περιέχει πολλά αξιοποιήσιμα ή ανακυκλώσιμα υλικά.
- ➔ Παραδώστε τη παλιά συσκευή σας σε κέντρο διαλογής ή ελλείψει τέτοιου κέντρου σε εξουσιοδοτημένο κέντρο σέρβις το οποίο θα αναλάβει την επεξεργασία της.

**PR****Proteção ao meio ambiente em primeiro lugar!**

- ① Seu aparelho inclui materiais valiosos, que podem ser reciclados ou recuperados.
- ➔ Deixe-o em um ponto de coleta de resíduos local.

# DISCOVERER



**For further questions or additional information please contact:**

**Bushnell Outdoor Products  
9200 Cody, Overland Park, Kansas 66214  
(800) 423-3537 • [www.bushnell.com](http://www.bushnell.com)**

**©2007 Bushnell Outdoor Products**

## Free Manuals Download Website

<http://myh66.com>

<http://usermanuals.us>

<http://www.somanuals.com>

<http://www.4manuals.cc>

<http://www.manual-lib.com>

<http://www.404manual.com>

<http://www.luxmanual.com>

<http://aubethermostatmanual.com>

Golf course search by state

<http://golfingnear.com>

Email search by domain

<http://emailbydomain.com>

Auto manuals search

<http://auto.somanuals.com>

TV manuals search

<http://tv.somanuals.com>