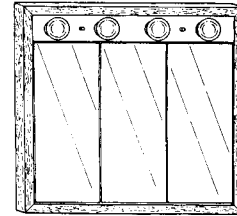


# PRESTIQUE SERIES BATHROOM CABINETS WITH BUILT-IN TOPLIGHT



Tri-view surface or recessed mount cabinets with built-in toplight.

**FEATURES**

- Wood construction
- Three-way viewing
- Three storage areas
- Adjustable wood shelves
- 5/32" premium float glass mirrors
- Pin hinges
- Wood frame
- Oak or white finish

**TYPICAL SPECIFICATION**

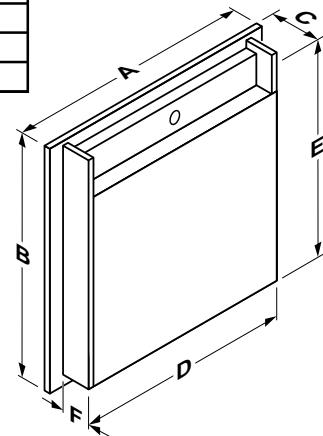
Bathroom cabinet shall be Broan Prestige Series Model 947224, (947230), (947236), (942224), (942230), (942236).

Cabinet shall be fabricated of wood with oak finish, (942 series has white finish).

Cabinet shall be equipped with three (3) mirrored doors and two (2) adjustable wood shelves.

Cabinet shall have built-in light fixture and shall accommodate standard household bulbs of 60W. (Bulbs not included). Unit to be U.L. listed.

MODEL NO.	OVERALL SIZE			BODY SIZE			WALL OPENING			FINISH	BULBS (G25/G40)
	A	B	C	D	E	F	W	H	D		
947224	23 <sup>9</sup> / <sub>16</sub>	28 <sup>1</sup> / <sub>8</sub>	4 <sup>1</sup> / <sub>4</sub>	22 <sup>3</sup> / <sub>16</sub>	26 <sup>3</sup> / <sub>4</sub>	3 <sup>1</sup> / <sub>2</sub>	22 <sup>5</sup> / <sub>8</sub>	27 <sup>1</sup> / <sub>2</sub>	3 <sup>1</sup> / <sub>2</sub>	Oak	3 60W
947230	29 <sup>9</sup> / <sub>16</sub>	28 <sup>1</sup> / <sub>8</sub>	4 <sup>1</sup> / <sub>4</sub>	28 <sup>3</sup> / <sub>16</sub>	26 <sup>3</sup> / <sub>4</sub>	3 <sup>1</sup> / <sub>2</sub>	22 <sup>5</sup> / <sub>8</sub>	27 <sup>1</sup> / <sub>4</sub>	3 <sup>1</sup> / <sub>2</sub>	Oak	4 60W
947236	35 <sup>9</sup> / <sub>16</sub>	28 <sup>1</sup> / <sub>8</sub>	4 <sup>1</sup> / <sub>4</sub>	34 <sup>3</sup> / <sub>16</sub>	26 <sup>3</sup> / <sub>4</sub>	3 <sup>1</sup> / <sub>2</sub>	34 <sup>5</sup> / <sub>8</sub>	27 <sup>1</sup> / <sub>4</sub>	3 <sup>1</sup> / <sub>2</sub>	Oak	5 60W
942224	23 <sup>9</sup> / <sub>16</sub>	28 <sup>1</sup> / <sub>8</sub>	4 <sup>1</sup> / <sub>4</sub>	22 <sup>3</sup> / <sub>16</sub>	26 <sup>3</sup> / <sub>4</sub>	3 <sup>1</sup> / <sub>2</sub>	22 <sup>5</sup> / <sub>8</sub>	27 <sup>1</sup> / <sub>2</sub>	3 <sup>1</sup> / <sub>2</sub>	White	3 60W
942230	29 <sup>9</sup> / <sub>16</sub>	28 <sup>1</sup> / <sub>8</sub>	4 <sup>1</sup> / <sub>4</sub>	28 <sup>3</sup> / <sub>16</sub>	26 <sup>3</sup> / <sub>4</sub>	3 <sup>1</sup> / <sub>2</sub>	22 <sup>5</sup> / <sub>8</sub>	27 <sup>1</sup> / <sub>4</sub>	3 <sup>1</sup> / <sub>2</sub>	White	4 60W
942236	35 <sup>9</sup> / <sub>16</sub>	28 <sup>1</sup> / <sub>8</sub>	4 <sup>1</sup> / <sub>4</sub>	34 <sup>3</sup> / <sub>16</sub>	26 <sup>3</sup> / <sub>4</sub>	3 <sup>1</sup> / <sub>2</sub>	34 <sup>5</sup> / <sub>8</sub>	27 <sup>1</sup> / <sub>4</sub>	3 <sup>1</sup> / <sub>2</sub>	White	5 60W



Broan-NuTone LLC, 926 West State Street, Hartford, WI 53027 (1-800-637-1453)

REFERENCE	QTY.	REMARKS	Project	
			Location	Date
			Architect	
			Engineer	
			Contractor	
			Submitted by	

## Free Manuals Download Website

<http://myh66.com>

<http://usermanuals.us>

<http://www.somanuals.com>

<http://www.4manuals.cc>

<http://www.manual-lib.com>

<http://www.404manual.com>

<http://www.luxmanual.com>

<http://aubethermostatmanual.com>

Golf course search by state

<http://golfingnear.com>

Email search by domain

<http://emailbydomain.com>

Auto manuals search

<http://auto.somanuals.com>

TV manuals search

<http://tv.somanuals.com>