



# PRO10000 Portable Generator Illustrated Parts List

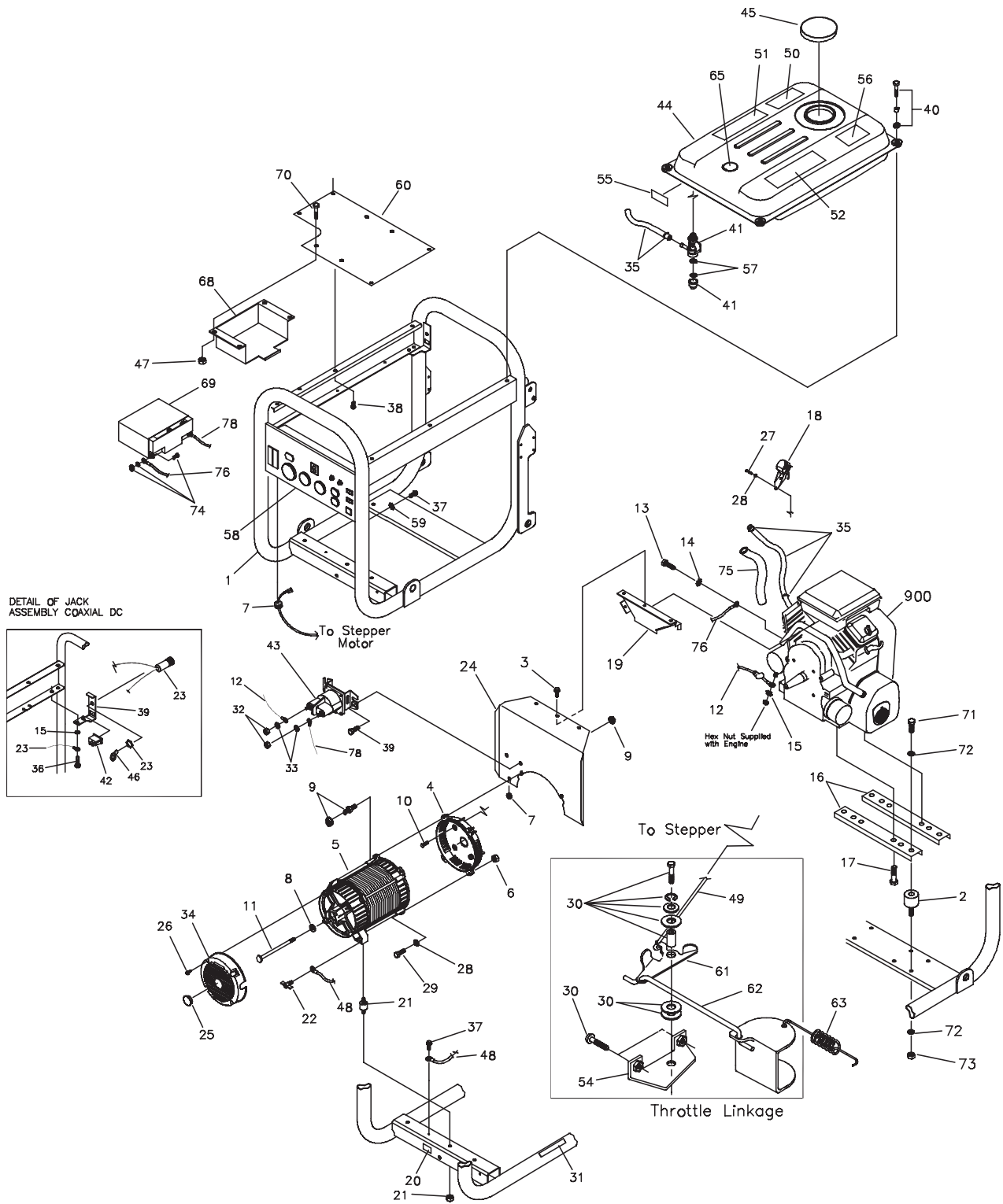


**BRIGGS & STRATTON POWER PRODUCTS GROUP, LLC  
JEFFERSON, WISCONSIN, U.S.A.**

Model 030383 Manual No. 204730A Revision - (12/19/2007)

# Exploded Views and Parts Lists

## EXPLODED VIEW - MAIN UNIT

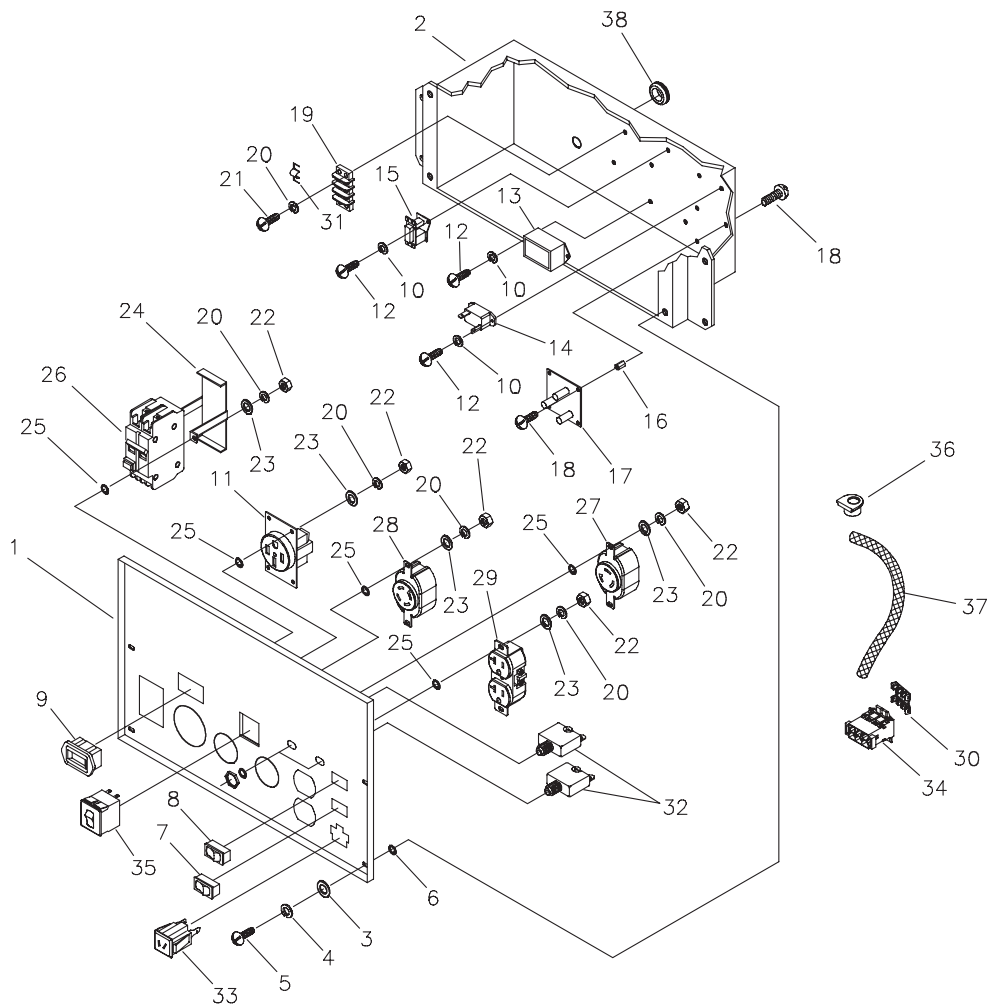


Copyright © 2007 Briggs & Stratton Power Products Group, LLC. All rights reserved. No part of this material may be reproduced or transmitted in any form by any means without the express written permission of Briggs & Stratton Power Products Group, LLC.



# Exploded Views and Parts Lists

## CONTROL PANEL EXPLODED VIEW & PARTS LIST

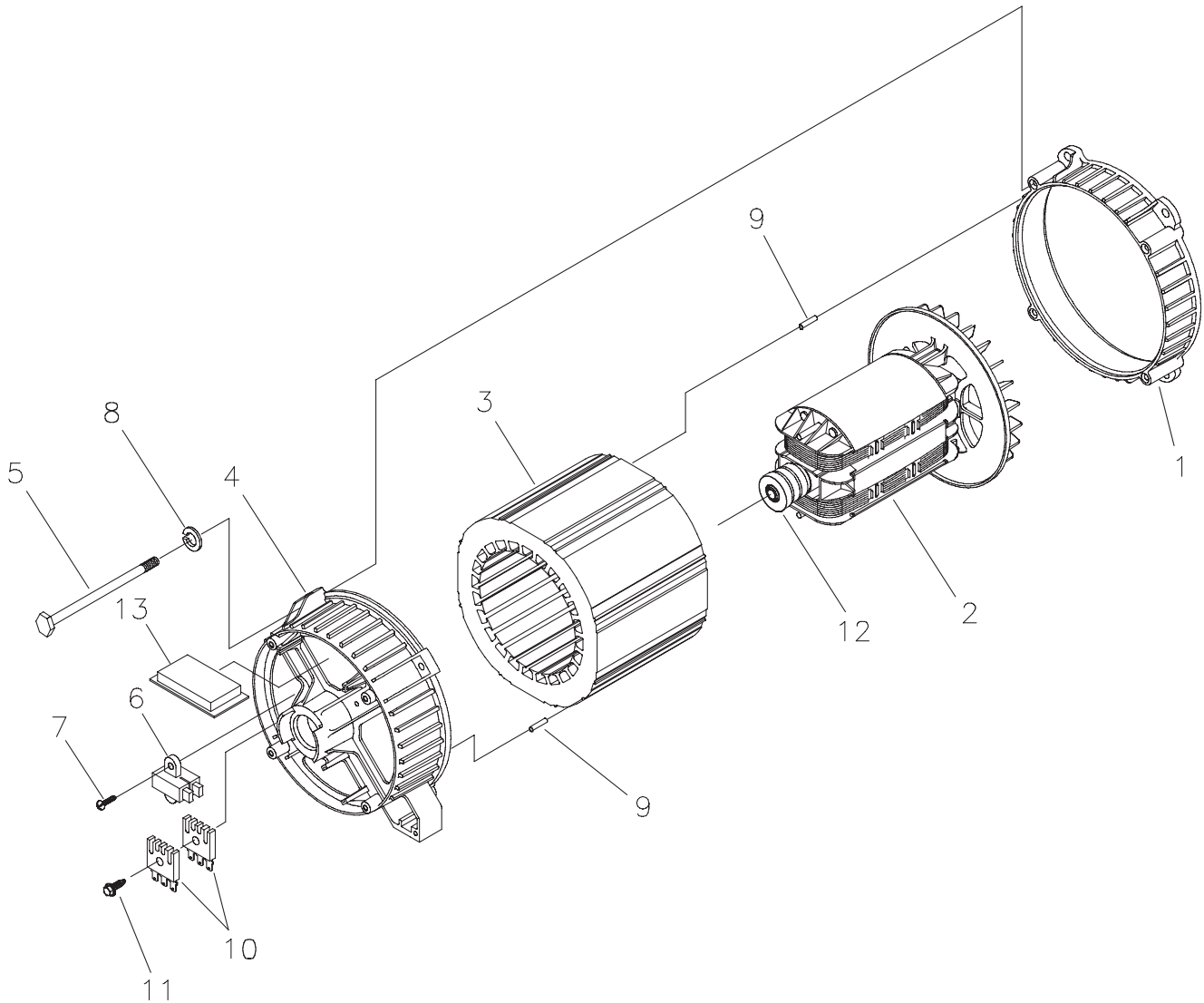


Item	Part #	Description	Item	Part #	Description
1	B204581GS	PANEL, Control	22	*	NUT, M4 - 0.7
2	201864GS	BOX, Control Panel	23	*	WASHER, Flat, M4
3	*	WASHER, Flat, #10 - M5	24	192931GS	BRACKET, GFCI Breaker
4	*	LOCKWASHER, M5	25	*	WASHER, Shakeproof, Int. #8
5	*	PPHMS, M5 - 0.8 x 12	26	192828FGS	BREAKER, Circuit, GFCI, 50A
6	*	WASHER, M6 - 1/4, Int. Shakeproof	27	68868GS	OUTLET, 120V, 30A
7	78653GS	SWITCH, Eng, Run-Stop	28	43437GS	OUTLET, 120/240V, 30A
8	192855GS	SWITCH, Rocker	29	68759GS	OUTLET, 120V, 20A, Duplex
9	202602GS	HOUR METER	30	199532GS	STRIP, Dual-Row
10	*	LOCKWASHER, M3	31	193597GS	JUMPER, Terminal Block
11	B4262GS	RECEPTACLE	32	202394GS	BREAKER, Circuit, 20A with hardware
12	*	PHMS, M3 - 0.5 x 10	33	90418GS	OUTLET, 12VDC, Snap
13	77314GS	THERMAL, Relay	34	199528GS	PLUG, Dual-Row, Housing
14	87962GS	BREAKER, Circuit, 10A, 12V	35	202033GS	BREAKER, Circuit, 30A, 2P
15	84028GS	TRANSFORMER, Idle Control	36	188632GS	BOOT, Rubber Wire Outlet
16	64525GS	STANDOFF, Hex, 3/4"	37	201171GS	TUBING, Fabric
17	195406GS	PCB, Idle Control, 10KW	38	62265GS	GROMMET
18	*	PHTS, 6 - 32 x 3/8"			
19	92953GS	TERMINAL, Block			
20	*	LOCKWASHER, M4			
21	*	PPHMS, M4 - 0.7 x 20			

\* - Items without part numbers are common fasteners and are available at your local hardware store.

# Exploded Views and Parts Lists

## ALTERNATOR EXPLODED VIEW & PARTS LIST

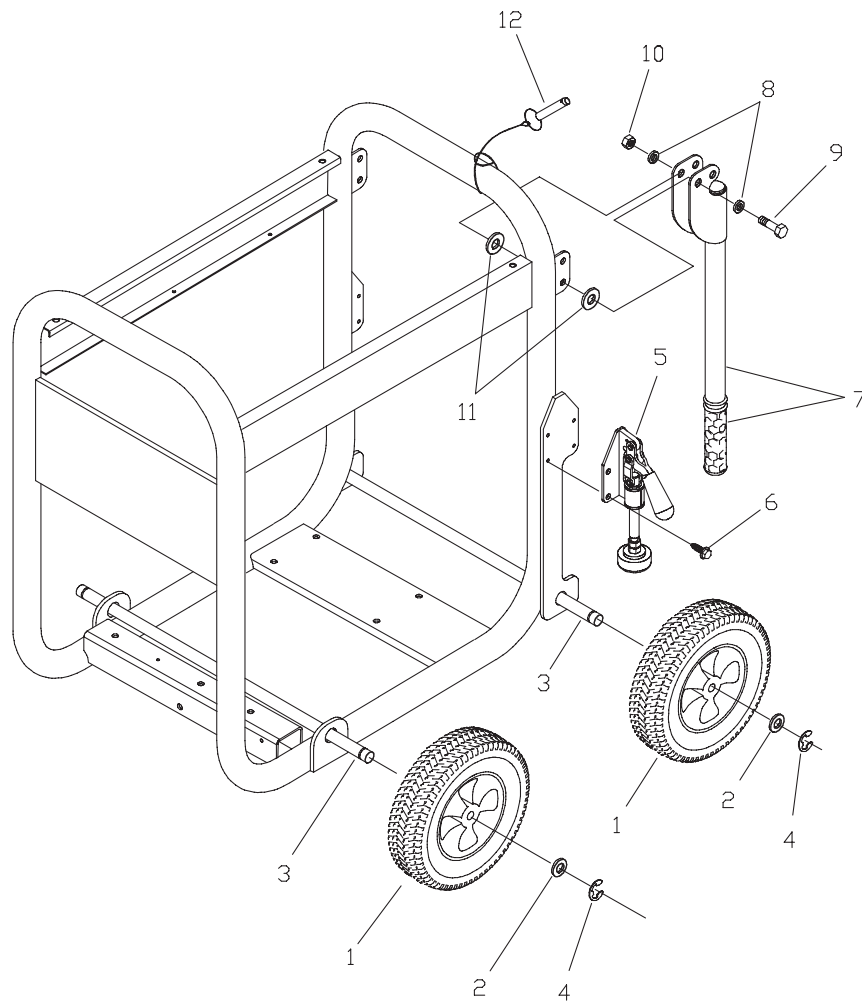


Item	Part #	Description
1	186059GS	ADAPTER, Mounting, Alternator
2	191952GS	ASSY., Rotor (Includes #12)
3	205062GS	STATOR
4	186060GS	RBC, with O-Ring (p/n 189197GS)
5	66449KGS	BOLT, Stator, M6 - 1.0 x 200
6	66386GS	ASSY., Holder, Rectifier/Brush
7	66849GS	TAPTITE, M5 - 0.8 x 16
8	*	LOCKWASHER, 1/4 - M6
9	81917GS	PIN, Roll, 4mm x 10
10	65795GS	RECTIFIER, Battery Charge
11	66849CGS	TAPTITE, M5 - 0.8 x 30
12	65791GS	BEARING
13	189769GS	REGULATOR, Voltage-AVR

\* - Items without part numbers are common fasteners and are available at your local hardware store.

# Exploded Views and Parts Lists

## WHEEL KIT EXPLODED VIEW & PARTS LIST



Item	Part #	Description
1	203273GS	WHEEL
2	*	WASHER, 5/8"
3	191267TGS	AXLE
4	191265GS	E-RING
5	205135GS	ASSY, Brake
6	*	SCREW, 1/4-20 x 3/8
7	B193200GS	ASSY, Handle w/Grip
	198669GS	GRIP
8	*	WASHER, Flat, 5/16 - M8
9	*	NUT, M8 - 1.25, Nylok
10	*	HHCS, M8 - 1.25 x 45
11	*	WASHER, 1.2 x 0.346 x 0.03, Nylon
12	B4135GS	PIN, Handle

### Items Not Illustrated

205183GS SUBKIT, Hardware

\* - Items without part numbers are common fasteners and are available at your local hardware store.

## Free Manuals Download Website

<http://myh66.com>

<http://usermanuals.us>

<http://www.somanuals.com>

<http://www.4manuals.cc>

<http://www.manual-lib.com>

<http://www.404manual.com>

<http://www.luxmanual.com>

<http://aubethermostatmanual.com>

Golf course search by state

<http://golfingnear.com>

Email search by domain

<http://emailbydomain.com>

Auto manuals search

<http://auto.somanuals.com>

TV manuals search

<http://tv.somanuals.com>