



Home Generator Systems

Operator's Manual



Liquid-Cooled Home Generator System

Manual No. 205051GS Rev. A (01/18/2008)

Thank you for purchasing this quality-built Briggs & Stratton home generator. We're pleased that you've placed your confidence in the Briggs & Stratton brand. When operated and maintained according to the instructions in this manual, your Briggs & Stratton home generator will provide many years of dependable service.

This manual contains safety information to make you aware of the hazards and risks associated with home generator systems and how to avoid them. This home generator system is designed and intended only for use as an optional home standby system that provides an alternate source of electric power and to serve loads such as heating, refrigeration systems, and communication systems that, when stopped during any power outage, could cause discomfort or inconvenience. This product is not intended for any other purpose and does not qualify for emergency standby as defined by NFPA 70 (NEC).

This home generator requires professional installation before use. Refer to the separate Installation Manual for full information. Follow the instructions completely. **Save these instructions for future reference.**

Where to Find Us

You never have to look far to find Briggs & Stratton support and service for your generator. Consult your Yellow Pages. There are thousands of Briggs & Stratton authorized service dealers worldwide who provide quality service. You can also contact Briggs & Stratton Customer Service by phone at **(800) 743-4115**, or use the Service Center Locator at BRIGGSandSTRATTON.COM, which provides a list of Briggs & Stratton Authorized Dealers.

See Installation Manual for system purchase date and component identification numbers

Briggs & Stratton Power Products Group, LLC
900 North Parkway
Jefferson, WI 53549

Copyright © 2008 Briggs & Stratton Power Products Group, LLC.
All rights reserved. No part of this material may be reproduced or transmitted in any form by any means without the express written permission of Briggs & Stratton Power Products Group, LLC.

Table of Contents

Safety Rules	4
Installation	7
For the Home Owner	7
For the Installing Dealer/Contractor	7
Owner Orientation	7
Fuel Factors	7
Generator Location	8
Essential Circuits	8
Delivery Inspection	9
Features and Controls	10
Operation	13
Automatic Operation	13
Setting Exercise Timer	14
Maintenance	14
Fault Detection System	14
Generator Maintenance	16
Engine Oil	16
Engine Coolant System	17
Battery	17
Storage	18
Troubleshooting	19
Warranty	20
Product Specifications	22

Safety

Installation

Controls

Operation

Maintenance

Troubleshooting

Warranty

Español

es

Français

fr










Save These Instructions




Safety Rules


The safety alert symbol (▲) is used with a signal word (DANGER, CAUTION, WARNING), a pictorial and/or a safety message to alert you to hazards. **DANGER** indicates a hazard which, if not avoided, will result in death or serious injury. **WARNING** indicates a hazard which, if not avoided, could result in death or serious injury. **CAUTION** indicates a hazard which, if not avoided, might result in minor or moderate injury. **NOTICE** indicates a situation that could result in equipment damage. Follow safety messages to avoid or reduce the risk of injury or death.

The manufacturer cannot possibly anticipate every possible circumstance that might involve a hazard. The warnings in this manual, and the tags and decals affixed to the unit are, therefore, not all-inclusive. If you use a procedure, work method or operating technique that the manufacturer does not specifically recommend, you must satisfy yourself that it is safe for you and others. You must also make sure that the procedure, work method or operating technique that you choose does not render the generator system unsafe.

Hazard Symbols and Meanings

		
Explosion	Fire	Electrical Shock
		
Toxic Fumes	Rotating Parts	Hot Surface
		
Auto Start	Explosive Pressure	Chemical Burn

▲ WARNING	
	Storage batteries give off explosive hydrogen gas during recharging. Slightest spark will ignite hydrogen and cause explosion.
	Battery electrolyte fluid contains acid and is extremely caustic.
	Contact with battery contents will cause severe chemical burns. A battery presents a risk of electrical shock and high short circuit current.
<ul style="list-style-type: none"> • DO NOT dispose of battery in a fire. • DO NOT allow any open flame, spark, heat, or lit cigarette during and for several minutes after charging a battery. • DO NOT open or mutilate the battery. • Wear protective goggles, rubber apron, and rubber gloves. • Remove watches, rings, or other metal objects. • Use tools with insulated handles. 	

▲ WARNING	
	Running engine gives off carbon monoxide, an odorless, colorless, poison gas. Breathing carbon monoxide can cause headache, fatigue, dizziness, vomiting, confusion, seizures, nausea, fainting or death.
<ul style="list-style-type: none"> • Operate generator ONLY outdoors. • Install a battery operated carbon monoxide alarm near the bedrooms. • Keep exhaust gas from entering a confined area through windows, doors, ventilation intakes, or other openings. 	

▲ WARNING	
The engine exhaust from this product contains chemicals known to the State of California to cause cancer, birth defects, or other reproductive harm.	

WARNING	
	<p>Generator produces hazardous voltage. Failure to properly ground generator can result in electrocution. Failure to isolate generator from power utility can result in death or injury to electric utility workers due to backfeed of electrical energy.</p>
<ul style="list-style-type: none"> • When using generator for backup power, notify utility company. • DO NOT touch bare wires or receptacles. • DO NOT handle generator or electrical cords while standing in water, while barefoot, or while hands or feet are wet. • If you must work around a unit while it is operating, stand on an insulated dry surface to reduce shock hazard. • DO NOT allow unqualified persons or children to operate or service generator. • In case of an accident caused by electrical shock, immediately shut down the source of electrical power and contact the local authorities. Avoid direct contact with the victim. • Despite the safe design of the home generator, operating this equipment imprudently, neglecting its maintenance or being careless can cause possible injury or death. • Remain alert at all times while working on this equipment. Never work on the equipment when you are physically or mentally fatigued. • Before performing any maintenance on the generator, disconnect the battery cable indicated by a NEGATIVE, NEG or (-) first. When finished, reconnect that cable last. • After your home generator is installed, the generator may crank and start without warning any time there is a power failure. To prevent possible injury, always set the generator's system switch to OFF AND remove the 15 Amp fuse BEFORE working on the equipment. 	

WARNING	
	<p>Propane and Natural Gas are extremely flammable and explosive.</p>
	<p>Fire or explosion can cause severe burns or death.</p>
<ul style="list-style-type: none"> • Install the fuel supply system according to N.F.P.A 37 and other applicable fuel-gas codes. • Before placing the home generator into service, the fuel system lines must be properly purged and leak tested. • After the generator is installed, you should inspect the fuel system periodically. • NO leakage is permitted. • DO NOT operate engine if smell of fuel is present or other explosive conditions exist. • DO NOT smoke around the generator. Wipe up any oil spills immediately. Ensure that no combustible materials are left in the generator compartment. Keep the area near the generator clean and free of debris. 	

WARNING	
	<p>Contact with muffler area can result in serious burns.</p>
	<p>Exhaust heat/gases can ignite combustibles or structures causing a fire.</p>
<ul style="list-style-type: none"> • DO NOT touch hot parts and AVOID hot exhaust gases. • Allow equipment to cool before touching. • DO NOT install the generator closer than 5 feet (1.5m) from any combustibles or structures with combustible walls having a fire resistance rating of less than 1 hour. 	

⚠ WARNING

Starter and other rotating parts can entangle hands, hair, clothing, or accessories.

- NEVER operate generator without protective housing or covers.
- DO NOT wear loose clothing, jewelry or anything that may be caught in the starter or other rotating parts.
- Tie up long hair and remove jewelry.

⚠ CAUTION

Installing the control panel's 15A fuse could cause the engine to start.

- DO NOT install this fuse until all plumbing and wiring has been completed and inspected.

⚠ CAUTION

Excessively high operating speeds increase risk of injury and damage to generator.

Excessive load will cause engine shutdown..

- DO NOT tamper with governed speed. Generator supplies correct rated frequency and voltage when running at governed speed.
- DO NOT modify generator in any way.

⚠ CAUTION

Avoid prolonged or repeated skin contact with used motor oil.

- Used motor oil has been shown to cause skin cancer in certain laboratory animals.
- Thoroughly wash exposed areas with soap and water.

NOTICE

Exceeding generators wattage/amperage capacity can damage generator and/or electrical devices connected to it.

- See *Essential Circuits*.
- Start generator and let engine stabilize before connecting electrical loads.

NOTICE

Improper treatment of generator can damage it and shorten its life.

- Use generator only for intended uses.
- If you have questions about intended use, ask dealer or contact Briggs and Stratton.
- Operate generator only on level surfaces.
- Adequate, unobstructed flow of cooling and ventilating air is critical to correct generator operation.
- The Coolant Fill, Battery and Control Panel doors must be installed whenever the unit is running.
- DO NOT expose generator to excessive moisture, dust, dirt, or corrosive vapors.
- Despite the safe design of the home generator, operating this equipment imprudently, neglecting its maintenance or being careless can cause possible injury or death.
- DO NOT start engine with air cleaner base removed.
- DO NOT insert any objects through cooling slots.
- DO NOT use the generator or any of its parts as a step. Stepping on the unit can cause stress and break parts. This may result in dangerous operating conditions from leaking exhaust gases, fuel leakage, oil leakage, etc.
- If connected devices overheat, turn them off and disconnect them from generator.
- Shut off generator if:
 - electrical output is lost;
 - equipment sparks, smokes, or emits flames;
 - unit vibrates excessively.

Installation

We sincerely appreciate your patronage. For this reason, Briggs & Stratton has made every effort to provide for a safe, streamlined and cost-effective installation. Because each installation is unique, it is impossible to know of and advise the trade of all conceivable procedures and methods by which installation might be achieved. Neither could we know of possible hazards and/or the results of each method or procedure. For these reasons,

Only current licensed electrical and plumbing contractors should attempt home generator system installations. Installations must strictly comply with all applicable codes, industry standards and regulations.

Your Briggs & Stratton home generator is supplied with this "Operator's Manual" and a separate "Installation Manual". These are important documents and should be retained by the owner after the installation has been completed.

For the Home Owner

To help you make informed choices and communicate effectively with your installation contractor(s),

Read and understand *Owner Orientation* in this manual before contracting or starting your home generator installation.

To arrange for proper installation, contact the store at which you purchased your Briggs & Stratton home generator, your dealer, a licensed electrician or your utility power provider.

The home generator warranty is VOID unless the system is installed by licensed electrical and plumbing professionals.

The Emission Control System for this generator is warranted for standards set by the U.S. Environmental Protection Agency and by the California Air Resources Board (CARB).

For the Installing Dealer/Contractor

For most applications, the Installation manual contains all the information required to properly install and start the home generator. This Operator's Manual describes essential circuit selection, routine operation and owner maintenance procedures.

If you need more information, call **(800) 743-4115**, between 8:00 AM and 5:00 PM CT.

Owner Orientation

This section provides home generator owners with the information necessary to achieve the most satisfactory and cost effective installation possible.

The illustrations are for typical circumstances and are meant to familiarize you with the installation options available with your home generator. A thorough understanding of these options will provide fundamental control over the cost of your installation, as well as ensure your final satisfaction and security.

Federal and local codes, appearance, noise levels, fuel types, and distances are the factors that must be considered when negotiating with an installation professional. Remember that as the distance from the existing electrical service and gaseous fuel supply increases, and the number of 90 degree bends in the fuel supply increases; equal compensations in piping and wiring materials must be allowed for. This is necessary to comply with local codes and overcome electrical voltage drops and gaseous fuel pressure drops.




The factors mentioned above will have a direct affect on the overall price of your home generator installation.

NOTE: In some areas you may need to acquire electrical permits for installing the home generator, building permits for installing gas lines, and permits for noise allowances. Your installer should check your local codes AND obtain the permits before installing the system.

Fuel Factors

This home generator system was factory tested and adjusted using natural gas. It can also operate on liquid propane (LP vapor). For proper engine function, factors that are inherent to each of these fuels, your location and the duration of possible utility interruptions are important considerations in the following fuel guidelines:

- Use clean, dry fuel, free of moisture or any particulate material. Using fuels outside the following recommended values may cause performance problems.
- For engines set up to run on propane vapor (LP), commercial grade HD5 propane with a minimum fuel energy of 2500 BTUs/ft³ with maximum propylene content of 5% and butane and heavier gas content of 2.5% and minimum propane content of 90%.

 WARNING	
	Propane and Natural Gas are extremely flammable and explosive.
	Fire or explosion can cause severe burns or death.
<ul style="list-style-type: none"> • The home generator is equipped with an automatic safety gas "fuel shut-off" valve. • DO NOT operate the equipment if the "fuel shut-off" valve is missing or inoperative. 	

Power Decrease at High Altitude or High Temperature

Air density is less at high altitudes, resulting in less available engine power. Specifically, engine power will decrease 3.5% for each 1,000 feet (300 meters) above sea level and 1% for each 10° F (5.6°C) above 77°F (25°C). Make sure you and your installer consider these factors when determining total generator load.

Generator Location

The actual physical location of your home generator has a direct affect on:

1. The amount of plumbing required to fuel your generator.
2. The amount of wiring required to control and connect your generator.

NOTE: Specific location guidelines are discussed in the Installation Manual. Acquaint yourself with that information and confer with your installer. Be sure to ask how your site might affect installation costs and compliance with local codes and standards.

Generator Clearances

The generator must be installed outdoors. DO NOT install generator where exhaust gas could accumulate and enter inside or be drawn into a potentially occupied building. Ensure exhaust gas is kept away from any windows, doors, ventilation intakes or other openings that can allow exhaust gas to collect in a confined area. Prevailing winds and air currents should be taken into consideration when positioning generator. See the Installation Manual for full details on safe generator location.

WARNING



Exhaust heat/gases can ignite combustibles or structures causing a fire.

- DO NOT install the generator closer than 5 feet (1.5m) from any combustibles or structures with combustible walls having a fire resistance rating of less than 1 hour.

Essential Circuits

As a home generator owner, it is important that you clearly identify the circuits in your building that are “essential” to you.

It is also important that your installer understand **which** circuits you want to include as “Essential Circuits”. Depending on the power consumed by these circuits, most or all of them can be switched to the home generator for the duration of normal power interruption.

The wattage reference table that follows will assist you with your decision-making process. It provides the wattage used by many ordinary household devices. Use it as a guide when selecting your essential circuits. Review this information with your installer and ask about any technical considerations that might affect your installation. This chart serves as a guide only. For exact wattage use an appropriate wattage meter.

	Device	Running Watts
<input type="checkbox"/>	Air Conditioner (12,000 Btu)*	1700
<input type="checkbox"/>	Air Conditioner (24,000 Btu)*	3800
<input type="checkbox"/>	Air Conditioner (40,000 Btu)*	6000
<input type="checkbox"/>	Battery Charger (20 Amp)	500
<input type="checkbox"/>	Circular Saw (6-1/2")	800 to 1000
<input type="checkbox"/>	Clothes Dryer (Electric)*	5750
<input type="checkbox"/>	Clothes Dryer (Gas)*	700
<input type="checkbox"/>	Clothes Washer*	1150
<input type="checkbox"/>	Coffee Maker	1750
<input type="checkbox"/>	Compressor (1 HP)*	2000
<input type="checkbox"/>	Compressor (1/2 HP)*	1400
<input type="checkbox"/>	Compressor (3/4 HP)*	1800
<input type="checkbox"/>	Curling Iron	700
<input type="checkbox"/>	Dehumidifier*	650
<input type="checkbox"/>	Electric Blanket	400
<input type="checkbox"/>	Electric Range (per element)	1500
<input type="checkbox"/>	Electric Skillet	1250
<input type="checkbox"/>	Freezer*	700
<input type="checkbox"/>	Furnace Fan (1/2 HP)*	800
<input type="checkbox"/>	Garage Door Opener*	500 to 750
<input type="checkbox"/>	Hair Dryer	1200
<input type="checkbox"/>	Hand Drill	250 to 1100
<input type="checkbox"/>	Iron	1200
<input type="checkbox"/>	Jet Pump*	800
<input type="checkbox"/>	Light Bulb	100
<input type="checkbox"/>	Microwave Oven	700 to 1000
<input type="checkbox"/>	Milk Cooler*	1100
<input type="checkbox"/>	Oil Burner on Furnace	300
<input type="checkbox"/>	Oil Fired Space Heater (140,000 Btu)	400
<input type="checkbox"/>	Oil Fired Space Heater (30,000 Btu)	150
<input type="checkbox"/>	Oil Fired Space Heater (85,000 Btu)	225
<input type="checkbox"/>	Radio	50 to 200
<input type="checkbox"/>	Refrigerator	700
<input type="checkbox"/>	Slow Cooker	200
<input type="checkbox"/>	Submersible Pump (1 HP)*	2000
<input type="checkbox"/>	Submersible Pump (1/2 HP)*	1500
<input type="checkbox"/>	Submersible Pump (1-1/2 HP)*	2800
<input type="checkbox"/>	Sump Pump*	800 to 1050
<input type="checkbox"/>	Table Saw (10")*	1750 to 2000
<input type="checkbox"/>	Television	200 to 500
<input type="checkbox"/>	Toaster	1000 to 1650

*Allow three (3) times listed watts for starting device

Essential Circuit Selection

When selecting the essential circuits that will be switched to “Standby Power,” it is important that the sum of the combined circuit loads does not exceed the wattage/ amperage capacity of the generator. To help you with your selection of essential circuits, please consider the following:

- Add up the total wattage of all electrical devices to be connected at one time. This total should **NOT** be greater than the generator’s wattage capacity.

The rated wattage of lights can be taken from light bulbs. The rated wattage of tools, appliances and motors can usually be found on a data plate or decal affixed to the device.

- If the appliance, tool or motor nameplate does not list wattage, multiply volts times the ampere rating to determine watts (**Volts x Amps = Watts**).

Some electric motors (induction types) require about three times more watts of power for starting than for running. This surge lasts for only a few seconds. Be sure you allow for this high starting wattage when selecting electrical devices that will be energized by the home generator:

- Figure the watts required to start the largest motor.
- Add that to the total running watts of all other connected loads.

This Briggs & Stratton home generator complies with the following “stationary standby power rating”:

The standby power rating is applicable for supplying power for the duration of normal power interruption. No sustained overload capability is available for this rating.

This rating is applicable to installations served by a reliable normal utility source. This rating is only applicable to variable loads with an average load factor of 80% of the standby rating. The standby rating is only applicable for optional standby power where the generator set serves as the backup to the normal utility source.

Use the wattage reference table provided and mark those circuits you consider “critical” or “essential”. Make sure you and your installer consider the system’s altitude above sea level and the ambient temperature range when determining total generator load.

In a utility outage, you need to ‘manage’ power distribution by turning off non-essential loads. Some examples of non essential loads are as follows:

- Pool pump
- Hot tub
- Electric hot tub and/or pool heaters
- Central air conditioners
- Electric hot water heaters
- Electric range and/or oven
- Arc welder
- Non essential electric heaters

Delivery Inspection

Carefully inspect the home generator for any damage that may have occurred during shipment.

IMPORTANT: If loss or damage is noted at time of delivery, have the person(s) making delivery note all damage on the freight bill and affix his signature under the consignor’s memo of loss or damage. If loss or damage is noted after delivery, separate the damaged materials and contact the carrier and your installer for claim procedures. Missing or damaged parts are not warranted.

The home generator system is supplied with:

- Home generator
- Fully-serviced coolant system
- Fully-serviced oil/lubricating system
- UL569/CSA8.3-listed flexible fuel hook-up
- Installation and start-up manual
- Operator’s manual
- Engine operator’s manual
- Installation checklist
- Two access door keys
- One spare 15A fuse
- 10 Pole control panel connector
- Remote LED indicator kit (red LED/plate/screws)

To be supplied by Installer:

- 650 CCA 55 amp-hour starting battery
- Connecting wire and conduit
- Fuel supply valves/plumbing
- Various specialty tools/equipment

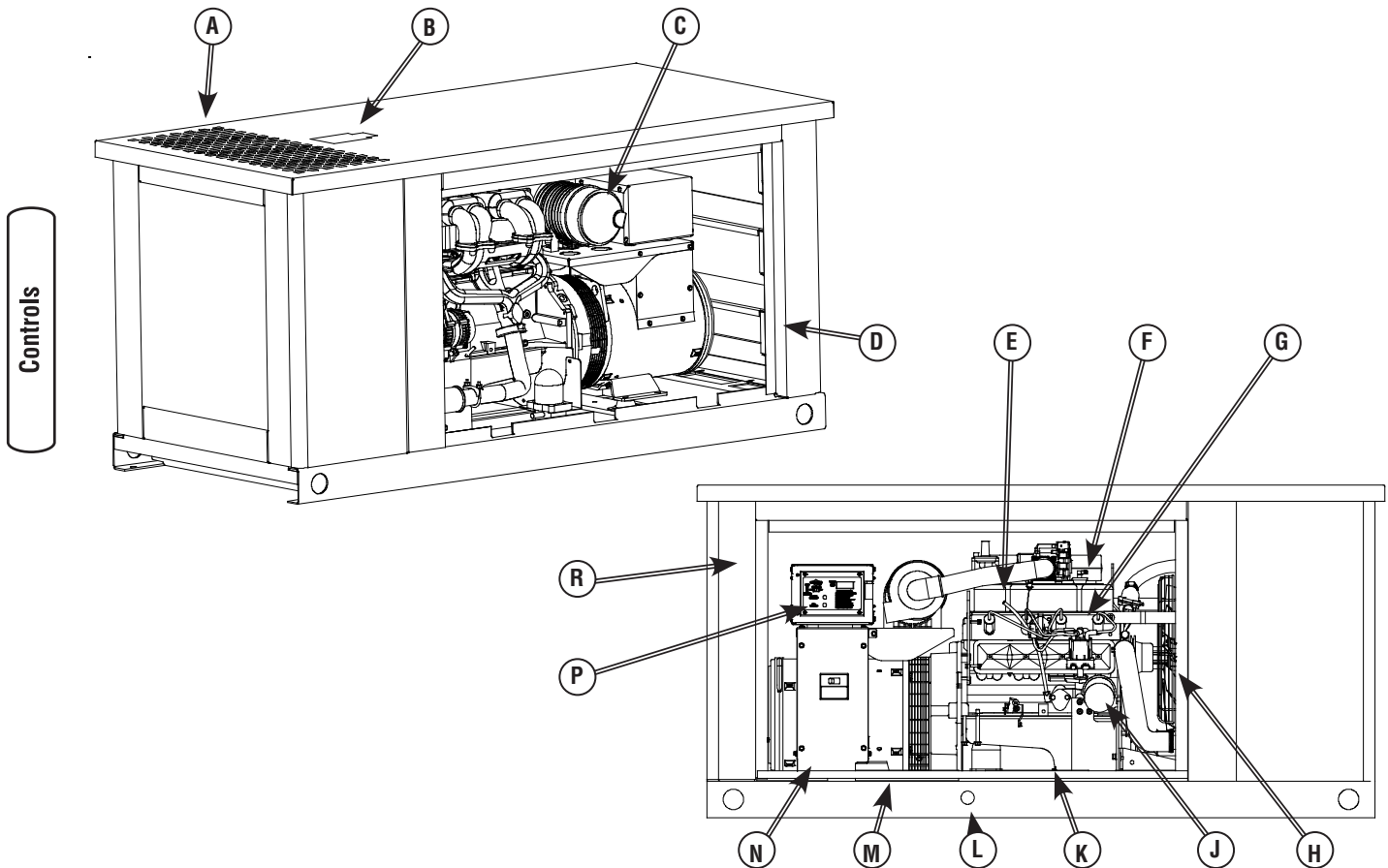
Features and Controls

Home Generator



Read this Operator's Manual and Safety Rules before operating your generator.

Compare the illustrations with your generator to familiarize yourself with the locations of various controls and adjustments. **Save this manual for future reference.**



Generator is pictured with access doors removed for clarity

A - Exhaust Port — High-performance muffler lowers engine noise to comply with most residential codes.

B - Coolant Fill Door — Provides access for servicing engine with oil and coolant.

C - Air Cleaner — Protects engine by filtering dust and debris out of intake air.

D - Battery Door opening — Provides access to starting battery and air cleaner.

E - Oil Dip Stick — Used to check the engine oil level.

F - Oil Fill Cap — Remove to service the engine with recommended oil.

G - Engine Label — Identifies engine model and type.

H - Coolant Recovery Bottle — Provides visual indicator of engine coolant level.

J - Oil Filter — Filters engine oil to prolong system life.

K - Oil Drain Plug — Provided to facilitate oil changing.

L - Fuel Inlet — Fuel supply is connected here.

M - Unit Data Decal (located on base) — Identifies unit by serial number.

N - Circuit Breaker Enclosure - Equipped with removable bottom to assist with conduit connection.

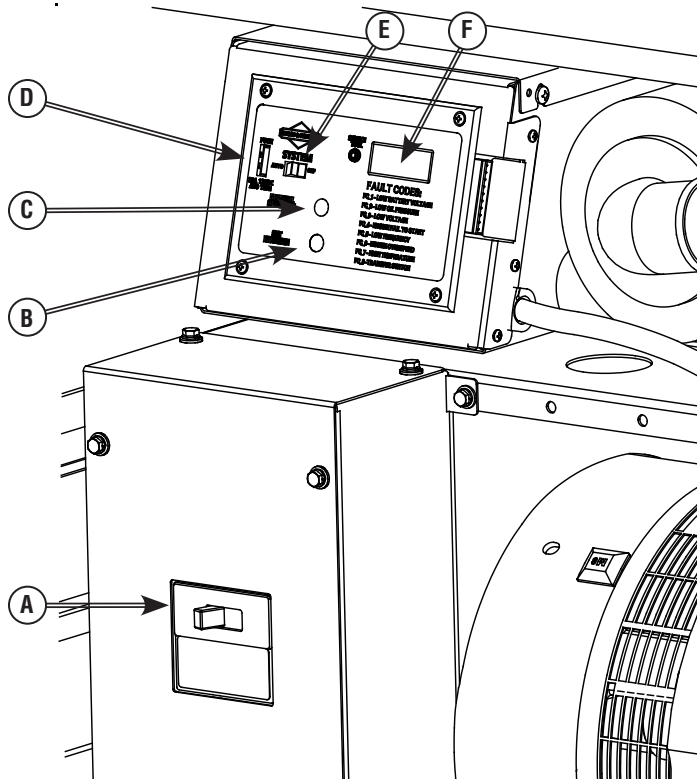
P - Control Panel — Used for various test, operation and maintenance functions. See *System Control Panel* on the next page.

R - Control Panel Door opening — Provides access to control panel.

NOTE: Circuit Breaker enclosure equipped with removable bottom panel to assist with conduit connection.

System Control Panel

Compare this Control Panel illustration with your generator to familiarize yourself with the location of these important controls:



A - Circuit Breaker — Protects the system from shorts and other over-current conditions. Must be **ON** to supply power to the Automatic Transfer Switch.

B - Set Exercise Button — Used to set the exercise cycle start time and day-of-the-week. Exercise cycle only occurs in AUTO mode.

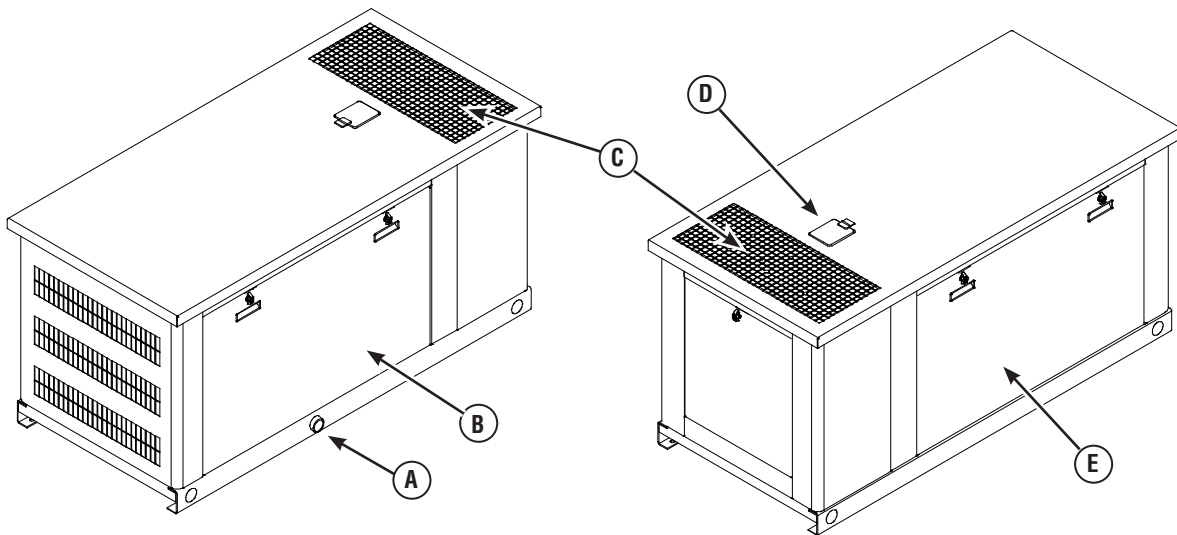
C - Manual Over-Ride Button — With system switch in AUTO position, push the manual over-ride switch to start the generator. To turn off the generator, push and hold the manual over-ride switch again until engine stops.

D - 15 Amp Fuse — Protects the home generator DC control circuits. If the fuse has 'blown' (melted open) or was removed, the engine cannot crank or start. Replace the fuse using only an identical ATO 15A fuse.

E - System Switch — This two-position switch is the most important control on the system and is used as follows:

- **"AUTO"** position is the normal operating position. If a utility power outage is sensed, the system will start the generator. When utility power is restored, AUTO lets the engine stabilize internal temperatures, shuts off the generator, and waits for the next utility power outage.
- **"OFF"** position turns off running generator, prevents unit from starting and resets any detected faults.

F - Digital Display — Displays the total number of hours the generator has been running and fault codes. Used to schedule maintenance tasks and for troubleshooting operational problems with the home generator. All fault conditions are described in *Fault Detection System*.



Access Doors

The home generator is equipped with an enclosure that has three access doors, as shown above. The doors are named for a significant component located behind them, as follows:

- A Fuel Inlet port (shown for reference)
- B Control Panel door
- C Exhaust opening (shown for reference)
- D Coolant Fill door
- E Battery door

WARNING



Contact with muffler area can result in serious burns.

- DO NOT touch hot parts and AVOID hot exhaust gases.
- Allow equipment to cool before touching.

The enclosure also includes muffler and radiator access panels, used for cleaning those components. Those panels should remain closed at all other times.

Each home generator is equipped with two identical keys. These keys fit the locks that secure the access doors.

To Open an Access Door:

1. Insert key into lock of access door handle you wish to open and turn one quarter turn counterclockwise. Remove key. Handle will remain unlocked until you re-lock it.
2. Grasp door's handle and turn one quarter turn counterclockwise to open.
3. Coolant Fill door is unlocked in the same manner. It can be used for adding coolant or engine oil.

To Close an Access Door:

1. Close door and turn handle one quarter turn clockwise.
2. Insert key into lock in handle and turn one quarter turn clockwise. Remove key.

NOTE: The Coolant Fill, Battery and Control Panel doors must be installed whenever the unit is running.

Operation

Important Owner's Considerations

Engine Oil

NOTICE
Any attempt to crank or start the engine before it has been properly serviced with the recommended coolant or oil will result in equipment failure.
<ul style="list-style-type: none">Refer to <i>Maintenance</i> in the Operator's Manual and engine manual for coolant and oil fill information.Damage to equipment resulting from failure to follow this instruction will void engine and generator warranty.

This engine is shipped from the factory pre-run and filled with non-synthetic oil (API SL 10W-30W). This allows for system operation in a wide range of temperature and climate conditions. Before starting the engine, check oil level and ensure that engine is serviced as described in the engine operator's manual.

NOTE: The use of multi-grade oil **does not** alter the required oil change intervals described in the engine operator's manual.

Coolant System

This engine is shipped from the factory filled with a 50-50 mix of automotive (Dex-Cool™ orange) anti-freeze and water. This will provide optimum year round protection against freezing, boiling and corrosion. The coolant system incorporates a water heater that operates when ambient temperature is below 80°F AND utility power is present at the transfer switch. Before starting the engine, check coolant level as described in the engine operator's manual.

Battery

The installer must supply a sealed, rechargeable 12 Volt DC, 650 Cold Cranking Amps (CCA) 55 amp hour starting battery. The battery may not be at full charge when installed. If battery voltage is below 12 Volts, charge the battery. See *Battery* in the *Maintenance* section for details.


15 Amp Fuse

The generator's 15 Amp fuse is critical to correct system operation. Your installer will ensure the fuse is properly installed upon completion of the installation.

Automatic Operation

To select automatic operation, do the following:

1. Confirm 15 Amp fuse is installed in control panel.
2. Set the main distribution panel circuit breaker that sends utility voltage to the transfer switch to **ON**.
3. Set the generator's main circuit breaker to its **ON** position.
4. Set the control panel System switch to **AUTO**.

⚠ CAUTION	
	With the system switch set to AUTO , the engine may crank and start at any time without warning. Such automatic starting normally occurs when utility source voltage drops below a preset level or during the normal exercise cycle.
<ul style="list-style-type: none">To prevent possible injury that may be caused by such sudden starts, always set the system switch to OFF if performing maintenance on the system.Remove the 15 Amp fuse before working on or around the generator or transfer switch.	

Checking Automatic Operation

To check the system for proper automatic operation, proceed as follows:

1. Turn **OFF** main distribution panel circuit breaker sending power to automatic transfer switch.

The engine will crank and start when utility voltage is lost and the sensor has timed out. Let the system go through its entire automatic operation sequence.

2. With generator output supplying its loads, turn **ON** main distribution panel circuit breaker that supplies utility power to Automatic Transfer Switch.
3. The automatic transfer switch will transfer loads back to utility power after 5 minute minimum run time and utility is restored.
4. The generator will run for an additional one minute for engine cool down, then shut down.

NOTE: If utility is restored and generator does not shut down after 10 minutes, set system switch to **OFF** and contact your installer or local service center.

This completes the test procedures for automatic operation. The home generator will now start automatically and will supply power to the transfer switch when utility power is lost.

Setting Exercise Timer

The home generator is equipped with an exercise timer that will start and exercise the system once every seven days. During this exercise period, the unit runs for approximately 20 minutes and then shuts down. Electrical load transfer DOES NOT occur during the exercise cycle (unless an utility power outage occurs).

A button on the control panel is labeled “Set Exercise” (see *System Control Panel*). The specific day and the specific time of day this button is pressed is programmed into the control board memory. This date and time is then used to automatically initiate the system exercise cycle. The “SET EXERCISE” legend on the control panel will flash until the set exercise cycle is set.

To perform the Set Exercise procedure:

1. Choose the day and time you want your home generator to exercise.
2. On that day and time, press and hold down the “Set Exercise” button for three seconds.

NOTE: “SET EXERCISE” will flash until the button is pressed for three seconds, then “SET EXERCISE” will illuminate for 5 seconds, and finally turn off.

3. The unit will then start and run it’s 20 minute exercise cycle.

For example, if you press the “Set Exercise” button on Sunday morning at 10:00 AM, the unit will run an immediate exercise cycle and an exercise cycle every following Sunday at 10:00 AM (+/- 1/2 hour).

NOTE: “Set Exercise” will only work if the unit is in the Automatic mode and this exact procedure is followed. The exerciser will need to be re-set if the 15 Amp fuse is removed or changed, or if the 12 Volt DC battery is disconnected.

If you want to change the day and time the unit exercises, simply perform the “Set Exercise” procedure at the exact weekday and time you want it to take place.

Operation

Maintenance

Maintenance

Servicing the System

To service the home generator system:

1. Remove 15 Amp fuse from control panel.
2. Set control panel System switch to **OFF**.
3. Set the generator’s main circuit breaker to its **OFF** position.
4. Utility voltage is present. Disconnect power before servicing by removing the two 10 Amp fuses from the transfer switch.

Fault Detection System

The generator may have to run for long periods of time with no operator present. For that reason, the system is equipped with sensors that automatically shut down the generator in the event of potentially damaging conditions, such as low oil pressure, high temperature, over speed, and other conditions.

The generator’s control panel has a digital display that shows fault codes, like “FC_1”. The table below lists the detected fault, the fault code as displayed on the control panel, and the number of blinks seen on the remote LED indicator.

Fault Description	Fault Codes	LED Flashes
Low battery voltage	FC_1	1
Low oil pressure	FC_2	2
Low voltage	FC_3	3
Engine fails to start	FC_4	4
Low frequency	FC_5	5
Engine overspeed	FC_6	6
High temperature	FC_7	7
Transfer switch fault	FC_8	8

The remote LED indicator is installed at a convenient inside location. The LED will remain lit when the generator is in AUTO. Should a system fault be detected, the LED will turn on and off in a series of blinks that identify the problem. The blink pattern is repeated with a brief pause between each series of blinks.

Reset Fault Detection System

The operator must reset the fault detection system each time it activates. To do so, place the control panel System switch in the **OFF** position for 5 seconds or more. Remedy the fault condition, then return the home generator to service by placing the system switch in the **AUTO** position.

A description of each fault and suggested remedies are as follows:

No LED - Discharged Battery

If there is a detected fault condition but the LED is not blinking, this is because the battery is completely discharged. To remedy the problem, remove the 15 Amp fuse and disconnect the battery from the generator. Take the battery to a local battery store for analysis. Replace the battery after it has been fully recharged, connecting the NEGATIVE cable last. Then install the 15 Amp fuse in the control panel.

NOTE: With the battery installed, all wiring to transfer switch and home generator completed, utility power supplied to the Automatic Transfer Switch, and the unit in AUTO mode, the battery receives a trickle charge while the engine is not running. The trickle charge is not able to recharge a battery that is completely discharged. See *Battery* in *Maintenance*.

Low Battery Voltage (FC_1)

This fault is indicated by fault code FC_1 and one blink on the LED indicator. This condition occurs if the generator cannot start because the starting battery output power is below that needed to crank the engine. Causes for this problem may be a faulty battery or battery charge circuit.

To remedy the problem, contact your local service center to check the battery charge output. Remove the 15 Amp fuse and disconnect the battery from the generator. Take the battery to a local battery store for analysis.

Replace the battery after it has been fully recharged, connecting the NEGATIVE cable last. Then install the 15 Amp fuse.

Low Oil Pressure (FC_2)

This fault is indicated by fault code FC_2 and two blinks on the remote LED indicator. The unit is equipped with an oil pressure switch which uses normally closed contacts held open by engine oil pressure during operation. Should oil pressure drop below the 8 psi range, switch contacts close and the engine is shut down.

To remedy the low oil pressure condition, add the recommended oil to the FULL mark on the dipstick.

If the low oil pressure condition still exists, the engine will start, then shut down again. The fault code will appear and the LED will flash. In this case, contact a Briggs & Stratton Authorized Dealer.

Low Voltage (Generator, FC_3)

This fault is indicated by fault code FC_3 and three blinks on the LED indicator. This condition is caused by a restriction in the fuel flow, a broken or disconnected signal lead, a failed alternator winding, the control panel circuit breaker is open, or the generator is overloaded.

To remedy the problem, contact your installer or a Briggs & Stratton Authorized Dealer.

Engine Fail To Start (FC_4)

This fault is indicated by fault code FC_4 and four blinks on the LED indicator. This feature prevents the generator from damaging itself if it continually attempts to start in spite of another problem, such as no fuel supply. Each time the system is directed to start, the unit will crank for 10 seconds, pause for 10 seconds, and repeat. If the system does not begin producing electricity after approximately 2 minutes, the unit will stop cranking and the LED will blink.

Check to make sure the generator's main circuit breaker is in the **ON** position in order for the sensing leads to verify that the unit is running.

The most likely cause of this problem is no fuel supply. Check the internal and external fuel shut off valves to ensure they are fully open. Other causes could be failed spark plug(s), failed engine ignition, or the engine air filter is clogged. You may need to contact your installer for assistance if you can't remedy these problems.

Low Frequency (FC_5)

This fault is indicated by fault code FC_5 and five blinks on the LED indicator. This feature protects devices connected to the transfer switch by shutting the generator down if the engine runs slower than 55 Hz for three seconds. This condition is caused by a failed engine component or by excessive loads on the generator. To remedy the problem, contact your installer or a Briggs & Stratton Authorized Dealer.

Engine Overspeed (FC_6)

This fault is indicated by fault code FC_6 and six blinks on the LED indicator. This feature protects devices connected to the transfer switch by shutting the generator down if the engine happens to run faster than the preset limit. The overspeed fault is detected as follows:

- If the generator output frequency is 65-70 Hz, after three seconds, the generator will shut down.
- If the generator output frequency is greater than 70 Hz, the generator will shut down immediately.

This condition is caused by a failed engine component. To remedy the problem, contact your installer or a Briggs & Stratton Authorized Dealer.

High Temperature (FC_7)

This fault is indicated by fault code FC_7 and seven blinks on the LED indicator. The contacts of the coolant temperature switch are normally open. If the engine coolant temperature exceeds approximately 115.5°C (240°F), the fault is detected and the engine shuts down.

Common causes for this condition include running the unit with all access doors removed, obstructed air inlet or exhaust port, low oil or coolant level, or debris in the engine compartment or radiator.

To resolve the problem, let the engine cool down and remove any accumulated debris and obstructions. Ensure that the access doors are installed whenever the unit is running.

Transfer Switch Fault (FC_8)

This fault is indicated by fault code FC_8 and eight blinks on the LED indicator (if transfer switch is equipped with fault detection). The most likely cause of this fault is a blown fuse in the transfer switch.

To remedy the problem, contact your installer or a Briggs & Stratton Authorized Dealer.

Generator Maintenance

The generator warranty does not cover items that have been subjected to operator abuse or neglect. To receive full value from the warranty, the operator must maintain the system as instructed in the engine operator's manual.

All adjustments should be made at least once each season. Follow the requirements in the engine operator's manual.

Generator maintenance consists of keeping the unit clean. Operate the unit in an environment where it will not be exposed to excessive dust, dirt, moisture or any corrosive vapors. Cooling air louvers on the enclosure must not become clogged with snow, leaves, or any other foreign material.

Check the cleanliness of the unit frequently and clean when dust, dirt, oil, moisture or other foreign substances are visible on its exterior/interior surface.

NOTE: DO NOT use direct spray from a garden hose to clean generator. Water can enter the engine and generator and cause problems.

Engine Maintenance

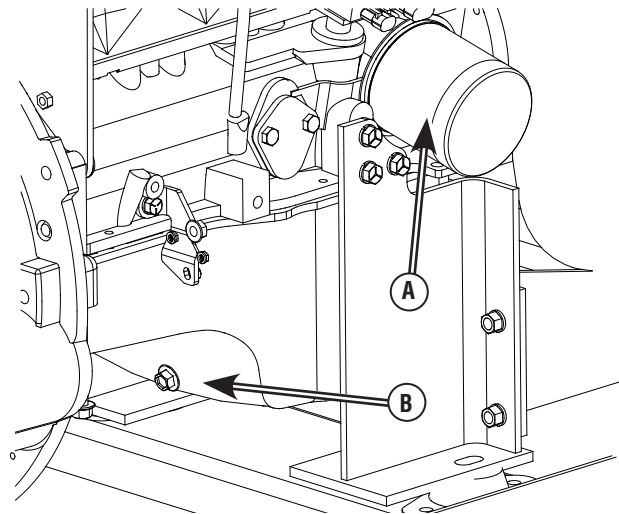
An engine manual was packaged with this system. Please refer there for all engine-related maintenance topics. However, proper engine cooling and lubrication are so important we give them special mention here.

Engine Oil

The system is filled with the recommended non-synthetic oil (API SL 10W-30W). This allows for system operation in a wide range of temperature and climate conditions.

NOTE: Refer to the engine operator's manual for recommended oil change intervals.

Shown here is the oil drain location (B) and the oil filter (A).



Changing Engine Oil

⚠ CAUTION
Avoid prolonged or repeated skin contact with used motor oil.
<ul style="list-style-type: none"> • Used motor oil has been shown to cause skin cancer in certain laboratory animals. • Thoroughly wash exposed areas with soap and water.



KEEP OUT OF REACH OF CHILDREN. DON'T POLLUTE. CONSERVE RESOURCES. RETURN USED OIL TO COLLECTION CENTERS.

1. Disconnect the negative battery terminal from battery.
2. Change oil while the engine is still warm from running, as described in the engine operator's manual.

NOTICE
Any attempt to crank or start the engine before it has been properly serviced with the recommended oil will result in equipment failure.
<ul style="list-style-type: none"> • Refer to <i>Maintenance</i> and engine manual for oil fill information. • Damage to equipment resulting from failure to follow this instruction will void engine and generator warranty.

To fill your engine with oil:

Follow the oil grade recommendation and oil fill instructions given in the engine operator's manual.

To make the task of adding oil more convenient, we recommend use of a funnel attached to a length of tubing long enough to reach from the Coolant Fill door to the oil fill opening on the engine valve cover.

Engine Coolant System

With the engine cold, check the coolant level in the coolant reservoir, seen inside the Control Panel door. Maintenance instructions for engine coolant are found in the engine operator's manual.




Battery

Charging the Battery

If it is necessary to charge the battery, proceed as follows:


1. Set generator's system switch to **OFF**.
2. Remove 15 Amp fuse from control panel.
3. Disconnect negative battery cable to negative battery terminal (indicated by **NEGATIVE, NEG,** or **(-)**).

NOTICE	
Failure to disconnect negative battery cable will result in equipment failure.	
<ul style="list-style-type: none"> • DO NOT attempt to jump start the battery. • Damage to equipment resulting from failure to follow this instruction will void warranty. 	
4. Charge battery with battery charger at 2 Amps until battery holds 12 Volts.	

WARNING	
	Storage batteries give off explosive hydrogen gas during recharging. Slightest spark will ignite hydrogen and cause explosion.
	Battery electrolyte fluid contains acid and is extremely caustic.
	Contact with battery contents will cause severe chemical burns.
A battery presents a risk of electrical shock and high short circuit current.	
<ul style="list-style-type: none"> • DO NOT dispose of battery in a fire. • DO NOT allow any open flame, spark, heat, or lit cigarette during and for several minutes after charging a battery. • DO NOT open or mutilate the battery. • Wear protective goggles, rubber apron, and rubber gloves. • Remove watches, rings, or other metal objects. • Use tools with insulated handles. 	

NOTE: With the battery installed and utility power available to the transfer switch, the battery receives a trickle charge whenever the engine is not running. It may take up to 72 hours to fully charge a discharged battery with the trickle charge. The trickle charge is not able to recharge a battery that is completely discharged.

5. Connect negative battery cable to negative battery terminal (indicated by **NEGATIVE, NEG,** or **(-)**).
6. Ensure hardware on both positive and negative battery terminals is secure.
7. Reinstall 15 Amp fuse in control panel.

CAUTION	
	Installing the control panel's 15A fuse could cause the engine to start.
<ul style="list-style-type: none"> • DO NOT install this fuse until all plumbing and wiring has been completed and inspected. 	

8. Set generator's system switch to **AUTO**.
9. Reset exercise timer. See *Setting Exercise Timer*.

Servicing the Battery

If it is necessary to service the battery, proceed as follows:

1. Set control board System switch to **OFF**.
2. Remove 15 Amp fuse from control panel.
3. Service or replace battery as required.
4. Connect red battery cable to battery positive terminal (indicated by **POSITIVE, POS,** or **(+)**).
5. Connect negative battery cable to negative battery terminal (indicated by **NEGATIVE, NEG,** or **(-)**).
6. Ensure hardware on both positive and negative battery terminals is secure.
7. Reinstall 15 Amp fuse in control panel.
8. Set generator's system switch to **AUTO**.
9. Reset exercise timer. See *Setting Exercise Timer*.

To Clean the Generator

NOTICE	
Improper treatment of generator can damage it and shorten its life.	
<ul style="list-style-type: none"> • DO NOT expose generator to excessive moisture, dust, dirt, or corrosive vapors. • DO NOT insert any objects through cooling slots. 	

- Use a damp cloth to wipe exterior surfaces clean.
- Use a soft, bristle brush to loosen caked on dirt, oil, etc.
- Use a vacuum cleaner to pick up loose dirt and debris.
- Use low pressure air (not to exceed 25 psi) to blow away dirt. Inspect cooling air slots and openings on the generator. These openings must be kept clean and unobstructed.

When Calling the Factory

You must have the following information at hand if it is necessary to contact a local service center regarding service or repair of this unit:

1. Obtain the unit Model Number and Serial Number from the unit data label. See *Controls* for location of the label or refer to the information recorded on the inside front cover of the Installation Manual.
2. Obtain the engine identification numbers from the engine label. See the engine operator's manual for location of this information. Please note that several different home generator systems are described in this manual, so your unit's appearance may vary from that presented herein.

Storage

The Briggs & Stratton home generator is designed for long term service as a backup generator. As such, there is no need to take any storage precautions. However, if it becomes necessary to take the system out of service for an extended period, call Briggs and Stratton Technical Services at **(800) 743-4115**, between 8:00 AM and 5:00 PM CT for specific recommendations. Refer to the engine operator's manual for additional information

Troubleshooting

Problem	Cause	Correction
Engine is running, but no AC output is available.	<ol style="list-style-type: none"> 1. Circuit breaker open or defective. 2. Fault in generator control panel. 3. Poor wiring connections or defective transfer switch. 	<ol style="list-style-type: none"> 1. Reset or replace circuit breaker. 2. Contact local service facility. 3. Check and repair.
Engine runs good at no-load but “bogs down” when loads are connected.	<ol style="list-style-type: none"> 1. Short circuit in a connected load. 2. Generator is overloaded. 3. Shorted generator circuit. 4. Fuel pressure or mixture is incorrect. 5. Kinked fuel line. 	<ol style="list-style-type: none"> 1. Disconnect shorted electrical load. 2. See <i>Essential Circuits</i>. 3. Contact local service facility. 4. See <i>Gaseous Fuel System</i> in the Installation Manual. 5. Remove kink. Replace if necessary.
Engine will not start; or starts and runs rough.	<ol style="list-style-type: none"> 1. 15 Amp fuse missing or blown. 2. Fuel supply turned off or depleted. 3. Failed battery. 4. Fuel pressure is incorrect 	<ol style="list-style-type: none"> 1. Install (new) 15 Amp fuse. See <i>System Control Panel</i>. 2. Open fuel valve(s); check propane tank. 3. Replace battery. 4. See <i>Gaseous Fuel System</i> in the Installation Manual.
Engine shuts down during operation.	<ol style="list-style-type: none"> 1. Fuel supply turned off or depleted. 2. Fault indicator blinking. 	<ol style="list-style-type: none"> 1. Check fuel valves, fill propane tank. 2. Count blinks and refer to <i>Fault Detection System</i>.
Loss of power on essential circuits.	<ol style="list-style-type: none"> 1. Generator circuit breaker is open. 2. Transfer switch problems. 	<ol style="list-style-type: none"> 1. Reset circuit breaker. 2. See the transfer switch manual.

**BRIGGS & STRATTON HOME POWER PRODUCTS GROUP, LLC
STANDBY GENERATOR OWNER WARRANTY POLICY**

Effective January 1, 2008 replaces all undated Warranties and all Warranties dated before January 1, 2008

LIMITED WARRANTY

Briggs & Stratton Power Products Group, LLC will repair or replace, free of charge, any part(s) of the equipment that is defective in material or workmanship or both. Travel expenses will be reimbursed as specified under the Briggs and Stratton Warranty Guidelines document to authorized Briggs & Stratton dealers for performing warranty repair work. This warranty is effective for the time periods and subject to the conditions stated below. For all warranty service, find the nearest Authorized Service Dealer in our dealer locator map at BRIGGSandSTRATTON.COM.

THERE IS NO OTHER EXPRESS WARRANTY. IMPLIED WARRANTIES, INCLUDING THOSE OF MERCHANTABILITY AND FITNESS FOR A PARTICULAR PURPOSE, ARE LIMITED TO ONE YEAR FROM PURCHASE, OR TO THE EXTENT PERMITTED BY LAW. ANY AND ALL IMPLIED WARRANTIES ARE EXCLUDED. LIABILITY FOR INCIDENTAL OR CONSEQUENTIAL DAMAGES ARE EXCLUDED TO THE EXTENT EXCLUSION IS PERMITTED BY LAW. Some states or countries do not allow limitations on how long an implied warranty lasts, and some states or countries do not allow the exclusion or limitation of incidental or consequential damages, so the above limitation and exclusion may not apply to you. This warranty gives you specific legal rights and you may also have other rights which vary from state to state or country to country.

WARRANTY PERIOD

Consumer Use	4 years or 2000 hours, whichever comes first
Commercial Use	2 years or 1000 hours, whichever comes first. First year 100% full coverage; second year alternator and engine only
Rental Use	None

The warranty period begins on the date of purchase by the first retail consumer or commercial end user, and continues for the period of time stated above. "Consumer use" means personal residential household use by a retail consumer. "Commercial use" means all other uses, including use for commercial or other income producing purposes. "Rental use" means any use of this product in a temporary or semi-permanently installed rental application. Once equipment has experienced commercial or rental use, it shall thereafter be considered as commercial or rental use for purposes of this warranty.

NO WARRANTY REGISTRATION IS NECESSARY TO OBTAIN WARRANTY ON BRIGGS & STRATTON PRODUCTS. SAVE YOUR PROOF OF PURCHASE RECEIPT. IF YOU DO NOT PROVIDE PROOF OF THE INITIAL PURCHASE DATE AT THE TIME WARRANTY SERVICE IS REQUESTED, THE MANUFACTURING DATE OF THE PRODUCT WILL BE USED TO DETERMINE THE WARRANTY PERIOD.

ABOUT YOUR WARRANTY

We welcome warranty repair and apologize to you for being inconvenienced. Any Authorized Service Dealer may perform warranty repairs. Most warranty repairs are handled routinely, but sometimes requests for warranty service may not be appropriate. For example, warranty service would not apply if equipment damage occurred because of misuse, lack of routine maintenance, and shipping, handling, warehousing or improper installation. Similarly, the warranty is void if the manufacturing date or serial number(s) on the equipment has been removed or the equipment has been altered or modified. During the warranty period, the Authorized Service Dealer, at its option, will repair or replace any part that, upon examination, is found to be defective under normal use and service. This warranty will not cover the following repairs and equipment:

- **Normal Wear:** Outdoor Power Equipment and engines, like all mechanical devices, needs periodic parts and service to perform well. This warranty does not cover repair when normal use has exhausted the life of a part or the equipment.
- **Installation and Maintenance:** This warranty does not apply to equipment or parts that have been subjected to improper or unauthorized installation or alteration and modification, misuse, negligence, accident, overloading, overspeeding, improper maintenance, repair or storage so as, in our judgment, to adversely affect its performance and reliability.
- **Exclusions:** For further clarification of engine warranty policies and procedures, contact Power Solutions Incorporated at 1-630-350-9400 or visit www.PSIengines.com. IMPCO Technologies is the holder of the Manufacturer of Record of all Environmental Protection Agency (EPA) compliance issues related to the use and performance of the engine.

This warranty excludes wear items such as engine oil, oil gauges, o-rings, filters, fuses, spark plugs, or anti-freeze, starting batteries, etc., or damage or malfunctions resulting from accidents, abuse, modifications, alterations, or improper servicing or freezing or chemical deterioration. Accessory parts are excluded from the product warranty. This warranty excludes failures due to acts of God and other force majeure events beyond the manufacturers control. Also excluded is used, reconditioned, and demonstration equipment; equipment used for prime power in place of utility power and equipment used in life support applications.

Warranty terms continue on next page.

Other Exclusions:

1. Any costs for adjustments, loose or leaking connections or clamps, installation or start-up operations fuel system cleaning and obstruction (due to chemical, dirt, carbon, lime, and so forth) and any failures caused by contaminated fuels, anti-freeze or oil, etc.
2. Units sold for primary power applications as defined by the U.S. & Canadian National Electric Codes whether utility power exists or where utility power does not normally exist
3. Any rental unit applications
4. Any loss of revenue that is a direct or indirect result of the failure of this unit
5. Failures caused by any external forces or Act of God such as, but not limited to freezing, theft, fire, collision, wars or riots, vandalism, lightning, earth quake wind storm, hail, volcanic eruption, water or flood damage, tornados, hurricanes, terrorist acts or nuclear holocaust
6. Any incidental, consequential or indirect damages caused by defects in materials or workmanship or any delay in repair or replacement of the defective part(s)
7. Failure due to misapplication or misrepresentation
8. Telephone, satellite, facsimile, cell phone, internet or any other communication expenses
9. Overtime, holiday or emergency labor expenses
10. Any mode of transportation deemed as abnormal in our judgment such as planes, ferries, railroad, buses, helicopters, snowmobiles, snow-cats, off-road vehicles, etc.
11. Any and all expenses incurred investigating performance complaints unless defective BSHP materials and/or workmanship were the direct cause of the problem
12. Overnight freight costs for replacement parts
13. Other rental equipment used while warranty repairs are being performed (i.e., generators, material handling equipment, etc.)
14. Bodily injuries including death which results from the product's failure 204949E, Rev. B, 1/17/2008

**BRIGGS & STRATTON POWER PRODUCTS GROUP, LLC
JEFFERSON, WI, USA**

Home Generator Systems

Product Specifications

30 kW

Rated Maximum Load Current:

at 120 Volts 250 Amps
at 240 Volts 125 Amps
Rated AC Voltage 120/240 Volts
Phase Single phase
Rated Frequency 60 Hertz
Normal Operating Range . . -20°F (-28.8°C) to 104°F (40°C)
Output Sound Level . 65 dB(A) at 23 ft. (7 m) at normal load
Shipping Weight 1700 lb (771 kg)

45 kW

Rated Maximum Load Current:

at 120 Volts 375 Amps
at 240 Volts 187.5 Amps
Rated AC Voltage 120/240 Volts
Phase Single phase
Rated Frequency 60 Hertz
Normal Operating Range . . -20°F (-28.8°C) to 104°F (40°C)
Output Sound Level . 65 dB(A) at 23 ft. (7 m) at normal load
Shipping Weight 2075 lb (941 kg)

This generator is rated in accordance with UL (Underwriters Laboratories) 2200 (stationary engine generator assemblies) and CSA (Canadian Standards Association) standard C22.2 No. 100-04 (motors and generators).

Briggs & Stratton Power Products Group, LLC
900 N. Parkway
Jefferson, Wisconsin, 53549 U.S.A.



Home Generator Systems

Manual del Operario



**Sistema generador
doméstico
enfriado por líquido**

Gracias por adquirir este generador doméstico de reserva Briggs & Stratton de alta calidad. Nos complace que haya depositado su confianza en la marca Briggs & Stratton. Si se utiliza y mantiene conforme a las instrucciones de este manual, el generador Briggs & Stratton le ofrecerá muchos años de servicio fiable.

Este manual contiene información sobre seguridad para hacerle consciente de los riesgos asociados a los generadores y mostrarle cómo evitarlos. Este generador se ha diseñado exclusivamente para suministrar energía eléctrica a cargas compatibles de iluminación, electrodomésticos, herramientas y motores. No debe utilizarse para ningún otro fin. Es importante leer detenidamente y comprender estas instrucciones antes de poner en marcha o utilizar el equipo. Este producto no pertenece a la categoría de reserva de emergencia según lo definido por la norma NFPA 70 (NEC).

Antes de utilizar el generador doméstico de reserva, es necesario que lo instale un profesional. Consulte en el manual de *instalación* las instrucciones relativas a la seguridad de los procedimientos de instalación. El instalador deberá seguir las instrucciones al pie de la letra. **Guarde estas instrucciones para futuras consultas.**

Dónde encontrarnos

Nunca tendrá que buscar mucho para poder obtener soporte y servicio técnico para su equipo generador de reserva. Consulte las páginas amarillas. Existen miles de distribuidores de servicio autorizados de Briggs & Stratton en todo el mundo. También puede dirigirse al departamento de servicio al cliente de Briggs & Stratton llamando al **(800) 743-4115** o utilizar el buscador de centros de servicio técnico de BRIGGSandSTRATTON.COM, que ofrece la lista de los distribuidores de servicio autorizados de Briggs & Stratton.

Consulte el Manual de instalación para conocer la fecha de compra del sistema y los números de identificación de los componentes.

Briggs & Stratton Power Products Group, LLC.
900 North Parkway
Jefferson, WI 53549

Copyright © 2008 Briggs & Stratton Power Products Group, LLC.
Reservados todos los derechos. Queda prohibida la reproducción o transmisión total o parcial de este material, sea cual sea la forma y el medio empleados para ello, sin el permiso previo y por escrito de Briggs & Stratton Power Products Group, LLC.

Tabla de contenido

Instrucciones importantes de seguridad	4
Instalación	7
Para el Propietario Doméstico:	7
Para el Agente de Ventas/Contratista que Realiza la instalación:	7
Orientación para el propietario.	7
Factores Relacionados con el Combustible	7
Ubicación del Generador	8
Circuitos Fundamentales	8
Inspección al Momento de la Entrega	10
Controles y características	11
Operación	14
Funcionamiento Automático.	14
Configuración del Temporizador de Práctica	15
Mantenimiento	15
Sistema de Detección de Fallas	15
Mantenimiento del Generador	17
Aceite del Motor	17
Sistema refrigerante del motor	18
Batería	18
Almacenamiento.	19
Problemas	20
Garantía	22
Especificaciones del producto	24

Seguridad

Instalación

Controles

Utilización

Mantenimiento

Problemas

Garantía

Español

es

Conserve estas instrucciones

Instrucciones importantes de seguridad

El símbolo de alerta de seguridad (▲) es usado con una palabra (PELIGRO, ADVERTENCIA, PRECAUCIÓN), un mensaje por escrito o una ilustración, para alertarlo acerca de cualquier situación de peligro que pueda existir. **PELIGRO** indica un riesgo el cual, si no se evita, causará la muerte o una herida grave. **ADVERTENCIA** indica un riesgo el cual, si no se evita, puede causar la muerte o una herida grave. **PRECAUCIÓN** indica un riesgo, el cual, si no se evita, puede causar heridas menores o moderadas. **AVISO** indica una situación que podría resultar en el daño del equipo. Siga los mensajes de seguridad para evitar o reducir los riesgos de heridas e inclusive la muerte.

El fabricante no puede prever todas las posibles circunstancias que pueden implicar riesgos. Por lo tanto, las advertencias que aparecen en este manual y las etiquetas y calcomanías adheridas a la unidad no incluyen todas las posibilidades. Si aplica un procedimiento, método de trabajo o técnica de operación no recomendada específicamente por el fabricante, debe estar seguro de que se trata de una práctica segura para usted y para otras personas. También debe asegurarse de que el procedimiento, método de trabajo o técnica de operación que elija, no haga que el generador se torne inseguro.

Símbolos de Peligro y Significados

		
Explosión	Fuego	Descarga Eléctrica
		
Gases Tóxicos	Partes en Movimiento	Superficie Caliente
		
Arranque automático	Presión Explosiva	Quemaduras Química

▲ ADVERTENCIA



Las baterías almacenadas producen hidrógeno explosivo mientras estén siendo recargadas.

Una pequeña chispa puede encender el hidrógeno y causar una explosión.



El fluido de electrolito de la batería contiene ácido y es extremadamente cáustico.

El contacto con el fluido de la batería puede causar quemaduras químicas severas.



Las baterías presentan un riesgo de descarga eléctrica y de elevada corriente de cortocircuito.

- NO deseche la batería tirándola al fuego.
- No permita ninguna llama abierta, chispa, calor, o encienda un cigarrillo durante y por varios minutos después de haber recargado la batería.
- NO abra ni manipule la batería.
- Lleve puestos las gafas protectoras, delantal y guantes de goma.
- No lleve relojes, anillos ni otros objetos metálicos.
- Utilice herramientas con mangos aislados.

▲ ADVERTENCIA



Al motor funcionar, se produce monóxido de carbono, un gas inodoro y venenoso.

Respirar monóxido de carbono puede provocar dolor de cabeza, fatiga, mareos, vómitos, confusión, ataques, náuseas, desmayos o incluso la muerte.

- Opere el generador SOLAMENTE al aire libre.
- Instale una alarma de monóxido de carbono con batería cerca de los dormitorios.
- Asegúrese de que los gases de escape no puedan entrar por ventanas, puertas, tomas de aire de ventilación u otras aberturas en un espacio cerrado en el que puedan acumularse.

▲ ADVERTENCIA

El escape del motor de este producto contiene elementos químicos reconocidos en el Estado de California por producir cáncer, defectos de nacimiento u otros daños de tipo reproductivo.

⚠ ADVERTENCIA

Los generadores producen un voltaje muy poderoso.

Si no hace tierra apropiadamente con un generador, puede hacer que ocurra un electrocutamiento.

Si no aísla el generador de utilidades de energía, puede hacer que los trabajadores de electricidad sufran heridas graves e inclusive la muerte, debido a la retroalimentación de la energía eléctrica.

- Cuando use un generador como poder de energía auxiliar, notifique a la compañía de utilidades.
- NO toque los alambres pelados o receptáculos.
- Si fuera necesario realizar trabajos en cercanías de la unidad mientras está en funcionamiento, párese sobre una superficie seca y aislada para reducir los riesgos de una descarga.
- NO permita que personas descalificadas o niños operen o sirvan al generador.
- En caso de que se produzca un accidente causado por una descarga eléctrica, cierre inmediatamente la fuente de energía eléctrica y contacta administración local. **Evite el contacto directo con la víctima.**
- A pesar del diseño seguro del sistema de generador de doméstico, si se opera este equipo en forma imprudente, si no se cumple con el mantenimiento o si se actúa con descuido, se pueden producir lesiones o la muerte.
- Permanezca siempre alerta cuando trabaje con este equipo. NUNCA trabaje con este equipo si se siente cansado física o mentalmente.
- Antes de realizar cualquier tarea de mantenimiento en el generador, desconecte primero el cable de la batería marcado como **NEGATIVE, NEG** o (-). Cuando haya terminado, vuelva a conectar el cable en último lugar.
- Una vez que el sistema de generador de doméstico está instalado, el generador puede arrancar manualmente sin ninguna advertencia cada vez que se produce una falla en el suministro de electricidad. Para evitar posibles lesiones, siempre fije el conmutador del sistema en **OFF**, Y retire el fusible de 15 Amperios **ANTES** de realizar trabajos en el equipo.

⚠ ADVERTENCIA

El Gas Natural y el Propano son extremadamente inflamables y explosivos.



El fuego o una explosión pueden causar quemaduras severas e inclusive la muerte.

- Instale el sistema de suministro de combustible de conformidad con N.F.P.A 37 y otros códigos de gas combustible vigentes.
- Antes de poner en servicio el sistema de generador de doméstico, se deben purgar las líneas del sistema de combustible y se debe probar si presentan pérdidas.
- Una vez instalado el sistema, se lo debe inspeccionar en forma periódica.
- NO se debe permitir que se produzca ninguna pérdida.
- NO haga funcionar el motor si se percibe olor a combustible o si existe alguna otra fuente de ignición.
- NO fume cerca del generador. Limpie en forma inmediata cualquier derrame de aceite. Asegúrese de no dejar materiales combustibles en el compartimiento del generador. Mantenga el área próxima al generador limpia y libre de desperdicios.

⚠ ADVERTENCIA

El contacto con la zona del silenciador puede producir quemaduras graves.



Los gases y el calor de escape pueden inflamar los materiales combustibles y las estructuras y provocar un incendio.

- NO toque las superficies calientes y evite los gases del escape a alta temperatura.
- Permita que el equipo se enfríe antes de tocarlo.
- NO instale el generador a menos de 1,5 metros (5 pies) de todo material combustible o estructura con muros combustibles cuya resistencia al fuego sea inferior a una hora.

⚠ ADVERTENCIA

El arrancador y otras piezas que rotan pueden enredar las manos, el pelo, la ropa, o los accesorios.

- NUNCA utilice la generador sin sus carcasas o tapas de protección.
- NO use ropa suelta, joyas o elementos que puedan quedar atrapados en el arranque o en otras partes rotatorias.
- Ate para arriba el pelo largo y quite la joyería.

⚠ PRECAUCIÓN

La instalación del fusible de 15 A del panel de control puede arrancar el motor.

- Tenga en cuenta que el fusible de 15 Amperios ha sido retirado del panel de control para realizar el envío.
- NO instale este fusible hasta que no se hayan completado e inspeccionado todas las conexiones de cables y tuberías.

⚠ PRECAUCIÓN

Las velocidades de operación en exceso, aumentan los riesgos de heridas y daños al generador.

Una carga excesiva puede causar el apagado del motor.

- NO cambie ninguna velocidad determinada. El generador suministra una frecuencia y un voltaje calificado cuando funciona a una velocidad determinada.
- NO modifique al generador en ninguna forma.

AVISO

El sobrepasar la capacidad del amperaje y vataje del generador, puede dañar al generador y los aparatos eléctricos conectados al mismo

- Vea *Circuitos Fundamentales*.
- Encienda su generador y deje que el motor se estabilice antes de conectar las cargas eléctricas.

AVISO

El tratamiento inadecuado del generador puede dañarlo y acortar su vida productiva.

- Use el generador solamente con la finalidad para el cual fue diseñado.
- Si usted tiene alguna pregunta acerca de las finalidades de uso del generador, pregúntele a su concesionario o contacte a Briggs and Stratton.
- Opere el generador solamente en superficies niveladas.
- Para la correcta operación del generador es fundamental contar con ventilación y una circulación de aire de refrigeración adecuada y que no sufra obstrucciones.
- La puerta de servicio del aceite o la del panel de control deben estar instaladas siempre que la unidad esté en funcionamiento.
- No exponga al generador a una humedad excesiva, polvo, suciedad o vapores corrosivos.
- A pesar del diseño seguro del generador doméstico, si se opera este equipo en forma imprudente, si no se cumple con el mantenimiento o si se actúa con descuido, se pueden producir lesiones o la muerte.
- NUNCA arranque el motor sin la base del filtro de aire.
- NO inserte cualquier objeto a través de las ranuras de enfriamiento.
- NUNCA utilice el generador ni ninguna de sus piezas como escalera. Si se sube sobre la unidad, sus piezas se pueden ver sobreexigidas y pueden romperse. Esto puede dar como resultado condiciones de operación peligrosas como consecuencias de la fuga de gases del escape, pérdida de combustible, pérdida de aceite, etc.
- Si los aparatos conectados se sobrecalientan, apáguelos y desconéctelos del generador.
- Apague el generador si:
 - Se pierde la salida eléctrica;
 - El equipo produce chispas, humo o emite llamas;
 - La unidad vibra de una manera excesiva.

Instalación

Agradecemos sinceramente su confianza. Por esta razón, Briggs & Stratton ha realizado el máximo esfuerzo para que la instalación resulte segura, sencilla y económica. Porque cada instalación es única, es imposible conocer y recomendar todos los procedimientos y métodos posibles para efectuarla. No podemos conocer todos los riesgos y/o resultados posibles de cada método o procedimiento. Por tanto,

La instalación de los Sistemas de Generadores Domésticos (HGS) debe estar a cargo de contratistas especializados en electricidad y plomería, sin excepciones. Las instalaciones deben cumplir estrictamente con todos los códigos, regulaciones y normas industriales aplicables.

El generador doméstico (HGS) Briggs & Stratton incluye este "Manual del Operario" y un "Manual de Instalación" separado. Estos son dos documentos muy importantes que el propietario debe conservar una vez finalizada la instalación.

Para el Propietario Doméstico:

Para que pueda tomar decisiones fundamentadas y lograr una comunicación efectiva con el o los contratistas de instalación.

Lea y comprenda la sección de este manual denominada Orientación para el Propietario ANTES de contratar o iniciar la instalación de su Generador Doméstico.

Para coordinar y organizar una instalación adecuada, consulte al comercio en el cual adquirió su generador doméstico Briggs & Stratton, a su agente de ventas o a la compañía proveedora de electricidad.

La garantía del HGS se ANULA si la instalación del sistema no está a cargo de profesionales especializados en electricidad y plomería debidamente certificados y matriculados.

El sistema de control de emisiones para este generador está garantizado para las normas establecidas por la Agencia de Protección Ambiental de EE.UU. y por el Consejo de Recursos del Aire de California (CARB).

Para el Agente de Ventas/Contratista que Realiza la instalación:

Para la mayoría de las aplicaciones, el Manual de Instalación contiene toda la información necesaria para instalar y arrancar adecuadamente el Generador Doméstico. En este Manual del Operario se describe la selección de los circuitos fundamentales, la operación de rutina y los procedimientos de mantenimiento que debe llevar a cabo el propietario.

Si necesita más información, llame al **(800) 743-4115**, entre las 8:00 AM y las 5:00 PM hora del centro.

Orientación para el propietario

En esta sección se brinda al propietario del Generador Doméstico la información necesaria para lograr la instalación más rentable y satisfactoria posible.

Las ilustraciones se aplican a circunstancias típicas y están destinadas a que usted se familiarice con las opciones de instalación disponibles con su Generador Doméstico. El entendimiento completo de dichas opciones permite tener un control fundamental sobre el costo de la instalación y garantiza su seguridad y satisfacción final.

Los códigos locales, la apariencia, los niveles de ruido, los tipos de combustible y las distancias son los factores fundamentales a tener en cuenta cuando se realiza la negociación con el profesional que tendrá a su cargo la instalación. Recuerde que a medida que la distancia del servicio de electricidad existente y del suministro de combustible aumenta, se debe tener en cuenta una compensación igual en los materiales de cableado y tuberías. Esto es necesario para cumplir con los códigos locales y solucionar caídas en la tensión eléctrica y caídas en la presión del combustible gaseoso.


Los factores antes mencionados tendrán un efecto directo sobre el precio general de la instalación del Generador Doméstico.

NOTA: En algunas áreas, es posible que deba obtener permisos especiales para las instalaciones eléctricas del Generador Doméstico, permisos de construcción para la instalación de las líneas de gas y permisos para niveles de ruido admisibles. El instalador debe verificar los códigos locales Y obtener los permisos correspondientes antes de instalar el sistema.

Factores Relacionados con el Combustible

El tipo de combustible utilizado para hacer funcionar el generador doméstico es un aspecto importante que hay que tener en cuenta ya que afecta a toda la instalación. El sistema se ha probado y regulado en fábrica con gas natural o propano líquido (vapor de PL). Para el buen funcionamiento del motor, es importante tener en cuenta las siguientes directrices con relación a los factores inherentes a cada uno de los combustibles, la ubicación de la unidad y la duración de las posibles interrupciones del suministro eléctrico:

- Utilice combustible limpio y seco, libre de humedad o cualquier otro material. Si se utilizan combustibles que no cumplan con estos valores recomendados se pueden presentar problemas de funcionamiento.
- En motores preparados para funcionar a gas propano (LP), el propano comercial de grado HD5 con un nivel de energía combustible mínimo de 2500 BTU/pie cúbico con un contenido de propileno máximo del 5% y un contenido de gas butano o gases más pesados y un contenido mínimo de propano de 90%.

⚠ ADVERTENCIA	
	El Gas Natural y el Propano son extremadamente inflamables y explosivos.
	El fuego o una explosión pueden causar quemaduras severas e inclusive la muerte.
<ul style="list-style-type: none"> • Este equipo cuenta con una válvula automática de seguridad de cierre de combustible. • No haga funcionar el equipo si la válvula de cierre de combustible no funciona o ha sido retirada. 	

Disminución de la Potencia a Temperaturas Elevadas o en Lugares Altos

La densidad del aire es menor en alturas elevadas, dando como resultado una menor energía disponible del motor. Específicamente, la potencia del motor disminuirá un 3.5% cada 1000 pies (300 metros) por sobre el nivel del mar y un 1% cada 10° F (5.6°C) por encima de los 77°F (25°C). Tanto usted como el instalador deben tener en cuenta estos factores cuando determinen la carga total del generador.

Ubicación del Generador


La ubicación física real de su generador de respaldo tiene un efecto directo en:

1. La magnitud de las conexiones necesarias para entregar combustible al generador.
2. La cantidad de cableado requerido para controlar y conectar su generador.

NOTA: En el Manual de Instalación se analizan las pautas específicas para la ubicación. Familiarícese con esa información y consulte al instalador. Asegúrese de consultar de qué manera el predio o sitio podría afectar los costos de instalación y el cumplimiento de las normas y los códigos locales.

Distancias Desde el Generador

El generador se debe instalar a la intemperie. NO instale el generador en lugares en los que los gases de escape se puedan acumular o entrar en un edificio que pueda estar ocupado. Asegúrese de que los gases de escape no puedan entrar por ventanas, puertas, tomas de aire de ventilación u otras aberturas en un espacio cerrado en el que puedan acumularse. Tenga en cuenta los vientos y las corrientes de aire preponderantes cuando elija la ubicación del generador. Consulte el manual de instalación para obtener información detallada sobre la ubicación segura del generador.

⚠ ADVERTENCIA	
	Los gases y el calor de escape pueden inflamar los materiales combustibles y las estructuras provocar un incendio.
<ul style="list-style-type: none"> • NO instale el generador a menos de 1,5 metros (5 pies) de todo material combustible o estructura con muros combustibles cuya resistencia al fuego sea inferior a una hora. 	

Circuitos Fundamentales

Como propietario de un Generador Doméstico, es importante que usted pueda identificar claramente los circuitos de su edificio que resultan “fundamentales” para usted.

Es importante que el instalador comprenda cuáles son los circuitos que usted desea incluir como “Circuitos Fundamentales”. Dependiendo de la potencia consumida por esos circuitos, la mayoría de ellos o todos pueden pasar al Generador Doméstico por el tiempo que dure la interrupción del servicio eléctrico normal.

La siguiente tabla de referencia de potencia en vatios le ayudará a tomar una decisión. En ella encontrará la potencia utilizada por la mayoría de los dispositivos domésticos de uso habitual. Utilice esa información como guía para seleccionar los circuitos fundamentales. Analice esa información con el instalador y consulte sobre cualquier factor técnico que pudiera tener algún efecto sobre el costo de la instalación.

	Dispositivo	Vataje de operación
<input type="checkbox"/>	Aire acondicionado (24000 Btu)*	3800
<input type="checkbox"/>	Aire acondicionado (40000 Btu)*	6000
<input type="checkbox"/>	Cargador de baterías (20 amperios)	500
<input type="checkbox"/>	Sierra circular (6-1/2")	entre 800 y 1000
<input type="checkbox"/>	Secadora de ropa (eléctrica)*	5750
<input type="checkbox"/>	Secadora de ropa (a gas)*	700
<input type="checkbox"/>	Lavadora de ropa*	1150
<input type="checkbox"/>	Cafetera	1750
<input type="checkbox"/>	Compresor (1 HP)*	2000
<input type="checkbox"/>	Compresor (3/4 HP)*	1800
<input type="checkbox"/>	Tenacillas rizadoras	700
<input type="checkbox"/>	Deshumificador*	650
<input type="checkbox"/>	Manta eléctrica	400
<input type="checkbox"/>	Cocina eléctrica (por elemento)	1500
<input type="checkbox"/>	Sartén eléctrica	1250
<input type="checkbox"/>	Freezer*	700
<input type="checkbox"/>	Ventilador de caldera (3/5 HP)*	875
<input type="checkbox"/>	Sistema de apertura de la puerta del garaje*	entre 500 y 750
<input type="checkbox"/>	Secador de cabello	1200
<input type="checkbox"/>	Taladro de mano	entre 250 y 1100
<input type="checkbox"/>	Plancha	1200
<input type="checkbox"/>	Bomba de chorro*	800
<input type="checkbox"/>	Lamparilla de luz	100
<input type="checkbox"/>	Horno de microondas	entre 700 y 1000
<input type="checkbox"/>	Refrigerador de leche*	1100
<input type="checkbox"/>	Quemador de aceite en una caldera	300
<input type="checkbox"/>	Calefactor de ambientes a aceite (140000 Btu)	400
<input type="checkbox"/>	Calefactor de ambientes a aceite (85000 Btu)	225
<input type="checkbox"/>	Radio	entre 50 y 200
<input type="checkbox"/>	Refrigerador	700
<input type="checkbox"/>	Aparato para cocimiento lento	200
<input type="checkbox"/>	Bomba sumergible (1 HP)*	2000
<input type="checkbox"/>	Bomba sumergible (1-1/2 HP)*	2800
<input type="checkbox"/>	Bomba de sumidero*	entre 800 y 1050
<input type="checkbox"/>	Sierra de banco (10")*	entre 1750 y 2000
<input type="checkbox"/>	Televisor	entre 200 y 500
<input type="checkbox"/>	Tostadora	entre 1000 y 1650
*Considere tres (3) veces el vataje indicado para arrancar el dispositivo		

Selección de los Circuitos Fundamentales

Al seleccionar los circuitos fundamentales que pasarán a “Energía de Respaldo”, es importante que la suma de las cargas de los circuitos combinados no supere la capacidad de potencia/corriente del generador. Tenga en cuenta lo siguiente para facilitar la selección de los circuitos fundamentales:

- Sume la potencia total de todos los dispositivos eléctricos que se van a conectar al mismo tiempo. Este total NO debe ser mayor que la capacidad de vataje del generador.
La potencia nominal de la iluminación puede obtenerse observando las lamparillas. La potencia nominal de las herramientas, los electrodomésticos y los motores, por lo general se puede encontrar en una placa de datos o en una calcomanía adherida a cada dispositivo.
- Si la potencia en vatios no figura en la placa de características del aparato, herramienta o motor, multiplique los voltios por los amperios para determinar los vatios (voltios x amperios = vatios).
Algunos motores eléctricos (los del tipo de inducción) requieren aproximadamente tres veces más vatios de potencia para arrancar que la que utilizan mientras están en funcionamiento. Esta sobrecarga dura sólo unos pocos segundos. Asegúrese de tener en cuenta este elevado valor de potencia de arranque cuando seleccione los dispositivos eléctricos que serán energizados utilizando el Generador Doméstico.
- Considere los vatios necesarios para arrancar el motor más grande.
- Agregue ese valor a los vatios totales necesarios para el funcionamiento de todas las otras cargas conectadas.

El Generador Doméstico Briggs & Stratton respeta los siguientes “valores nominales de energía de reserva fija”:

El valor nominal de energía de reserva se aplica para proporcionar energía de emergencia para el tiempo que dure la interrupción del servicio de energía normal. No está disponible la capacidad de sobrecarga para este valor nominal.

Estos valores nominales son aplicables a instalaciones alimentadas por una fuente de energía eléctrica normal fiable. Este valor nominal sólo es aplicable a cargas variables con un factor de carga medio del 80% del valor nominal de reserva. El valor nominal de reserva sólo es aplicable para la alimentación eléctrica de reserva opcional cuando el grupo generador sirve como reserva para la fuente de alimentación normal de la compañía eléctrica.

Utilice la “Guía de Referencia de Potencia” provista y marque aquellos circuitos que considere “críticos” o “fundamentales”. Tanto usted como el instalador deben tener en cuenta los rangos de temperatura ambiente y de altitud por sobre el nivel del mar cuando determinen la carga total del generador.

IMPORTANTE: Durante la interrupción de un servicio, debe “controlar” la distribución de la alimentación desconectando las cargas no esenciales. Algunos ejemplos de cargas no esenciales son los siguientes:

- Bomba de la piscina
- Bañera con calefacción
- Calentadores eléctricos de bañera y / o piscina
- Acondicionadores de aire centrales
- Calentadores eléctricos de agua caliente
- Cocina y / u horno eléctrico
- Máquina de soldar por arco
- Calentadores eléctricos no esenciales

Inspección al Momento de la Entrega

Luego de retirar la caja, inspeccione cuidadosamente el Generador Doméstico para detectar cualquier daño que pudiera haber ocurrido durante el traslado.

IMPORTANTE: Si en el momento de la entrega se detecta alguna pérdida o daño, solicite a la persona o personas encargadas de la entrega que dejen debida constancia en la nota de entrega y que firmen debajo de la nota del consignador donde se informa acerca de la pérdida o daño. Si la pérdida o el daño se detecta después de la entrega, separe los materiales dañados y póngase en contacto con el transportista para llevar a cabo los procedimientos de reclamo. Las piezas perdidas o dañadas no están garantizadas.

El Generador Doméstico incluye lo siguiente:

- Generador doméstico.
- Sistema refrigerante con todos los servicios.
- Sistema de aceite/lubricante con todos los servicios.
- Acoplamiento flexible para combustible con clasificación UL569/CSA8.3.
- Manual de instalación y arranque.
- Manual del operario.
- Manual del operario del motor.
- Lista de control de la instalación.
- Dos llaves para puerta de acceso.
- Un fusible de 15 A de repuesto.
- Conector del panel de control de 10 polos.
- Kit de LED remotos (LED rojo/placa/tornillos).

No incluye:

- Batería de arranque de 650 CCA (NO de ciclo profundo).
- Cable y conducto de conexión.
- Válvulas/tubería de suministro de combustible.

Herramientas/equipos especiales necesarios

- Herramientas/equipos especiales diversos.

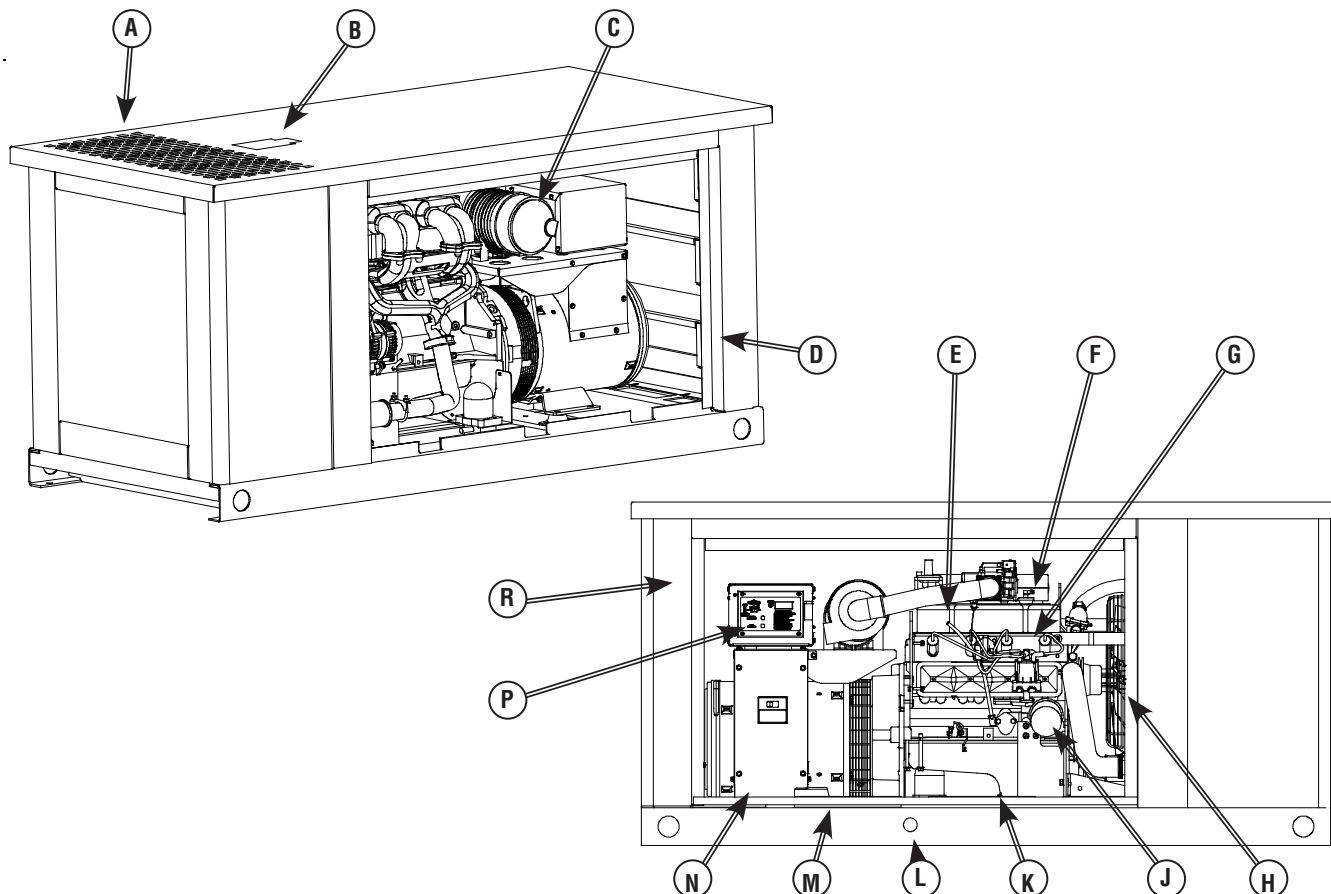
Controles y características

Generador Doméstico



Lea este manual del operario y las reglas de seguridad antes de operar su generador.

Compare las ilustraciones con su generador para familiarizarse con las ubicaciones de los diferentes controles y ajustes. Conserve este manual para referencias futuras.



En la ilustración, el generador se muestra sin las puertas de acceso para mayor claridad.

A - Salida del Escape - Silenciador de alto rendimiento que disminuye los ruidos del motor para cumplir con los códigos necesarios para zonas residenciales.

B - Abertura de la Puerta de llenado de Refrigerante - Permite acceder al motor para realizar tareas de mantenimiento.

C - Depurador de Aire - Filtra el aire de entrada a medida que penetra en el motor.

D - Abertura de la Puerta de Batería - Brinda acceso a la batería de arranque y al filtro de aire.

E - Varilla para Medir el Aceite - Se utiliza para controlar el nivel de aceite del motor.

F - Tapa del Compartimiento de Aceite - Se debe retirar para llenar la unidad con el aceite recomendado.

G - Etiqueta del Motor - Identifica el tipo y modelo del motor.

H - Botella de recuperación de refrigerante - permite ver el nivel de refrigerante del motor..

J - Filtro de Aceite - Filtra el aceite del motor para prolongar la vida útil del sistema.

K - Drenaje de Aceite - Provista para facilitar el cambio de aceite.

L - Entrada de Combustible - Permite conectar el conducto de suministro de combustible.

M - Calcomanía de Datos de la Unidad (situada en la base) - Identifica a la unidad mediante un número de serie.

N - La caja del Disyuntor - está equipada con un panel inferior desmontable que permite conectar los conductos.

P - Panel de Control - Se utiliza para distintas funciones de mantenimiento, operación y prueba. Consulte la sección Panel de control del sistema, en la página siguiente.

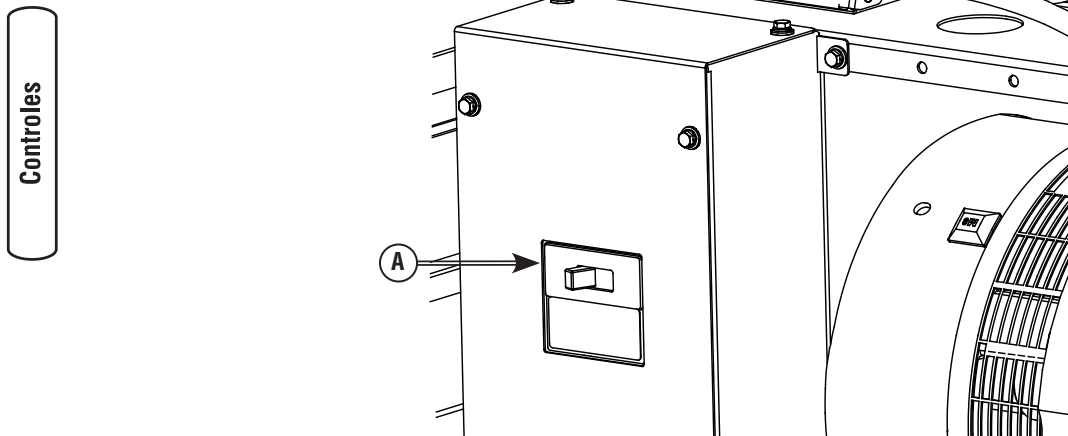
R - Abertura de la Puerta del Panel de Control - Permite acceder al panel de control y a la batería.

Español

es

Panel de control del sistema

Compare esta ilustración del panel de control con su generador para familiarizarse con la ubicación de estos controles importantes:



A - Interruptor de Potencia - Protege al sistema de condiciones de cortocircuitos y otros excesos de corriente. Debe estar en la posición ON para abastecer de energía al conmutador de transferencia automático.

B - Botón Configuración de Práctica - Se utiliza para configurar la hora y el día de la semana en que se inicia el ciclo de práctica. El ciclo de práctica sólo se produce en el modo **AUTO**.

C - Botón Cancelación Manual - Con el conmutador del sistema en la posición AUTO, pulse en conmutador de cancelación manual para poner en marcha el generador. Pulse de nuevo el conmutador de cancelación manual para apagar el generador.

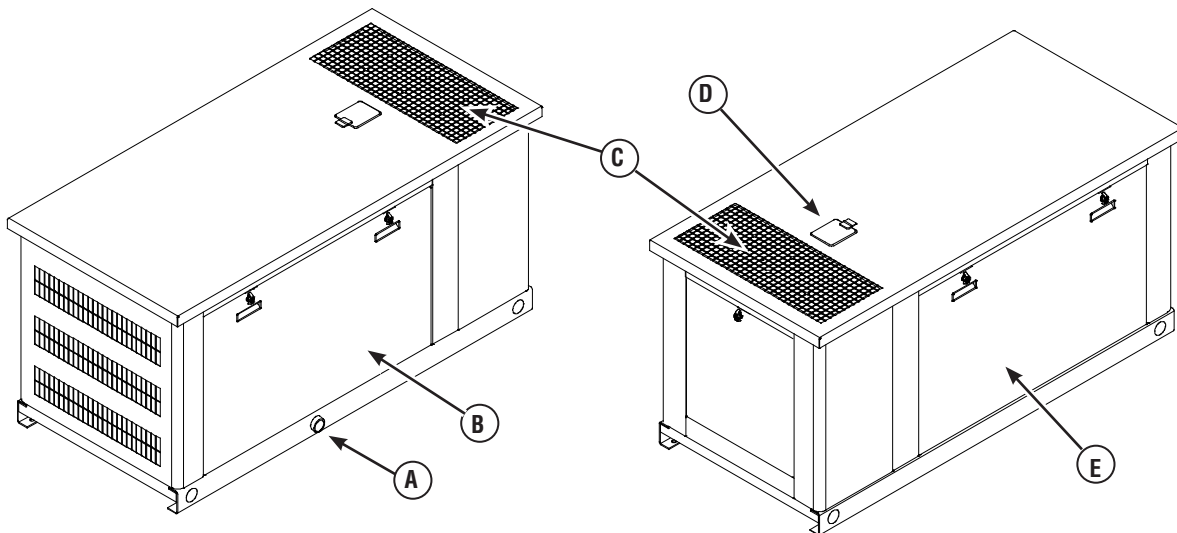
D - Fusible de 15 Amperios - Protege los circuitos de control de c.c. del Generador Doméstico. Si el fusible está "quemado" (fundido abierto) o si se ha retirado, el motor no se puede arrancar ni arrancar manualmente en forma lenta. Cambie el fusible por otro idéntico: ATO de 15 A.

E - Conmutador del Sistema - Este dispositivo de dos posiciones es el control más importante en el sistema. Se utiliza de la siguiente manera:

- La posición "**AUTO**" es la posición normal funcionamiento. Si se detecta una interrupción de la alimentación eléctrica de la red, el sistema hace que arranque el generador. Cuando se restablece la alimentación eléctrica de la red, el sistema espera a que se establezcan las temperaturas internas del motor, para el generador y se pone en estado de espera para la próxima vez que se interrumpa la alimentación eléctrica.

- La posición "**OFF**" hace que se pare el generador, impide el arranque de la unidad y reinicializa cualquier fallo detectado.

F - Pantalla Digital - Muestra el número total de horas de funcionamiento del generador y los códigos de fallo. Se utiliza para programar las tareas de mantenimiento y para resolver problemas de funcionamiento del generador de reserva doméstico. Todas las condiciones de fallo se describen en la sección *Sistema de detección de fallos*.



Puertas de Acceso

El Generador Doméstico está equipado con un compartimiento que tiene tres puertas de acceso. Los nombres de las puertas están relacionados con el componente importante ubicado detrás de ellas:

- A Orificio de entrada de combustible (se muestra como referencia)
- B Puerta del Panel de Control
- C Orificio de gases de escape (se muestra como referencia)
- D Puerta de Llenado de Refrigerante
- E Puerta de Batería

ADVERTENCIA



El contacto con la zona del silenciador puede producir quemaduras graves.

- NO toque las superficies calientes y evite los gases del escape a alta temperatura.
- Permita que el equipo se enfríe antes de tocarlo.

La caja también incluye paneles de acceso al silenciador y al radiador, que se utilizan para limpiar dichos componentes. Dichos paneles deben permanecer cerrados el resto del tiempo.

Cada generador de reserva doméstico está equipado con dos llaves idénticas que accionan los cerrojos de las puertas de acceso.

Para abrir una puerta de acceso:

1. Inserte la llave en la cerradura de la puerta de acceso que desee abrir y gire un cuarto de vuelta hacia la izquierda.
2. Agarre el picaporte de la puerta y gire un cuarto de vuelta hacia la izquierda para abrir. Retire la llave.

Para cerrar una puerta de acceso:

1. Cierre la puerta y gire su picaporte un cuarto de vuelta hacia la derecha.
2. Inserte la llave en la cerradura de la puerta de acceso y gire un cuarto de vuelta hacia la derecha. Retire la llave.

NOTA: Las puertas de llenado de refrigerante, de la batería y del panel de control deben estar instaladas siempre que la unidad esté en funcionamiento.

Operación

Consideraciones importantes para el propietario

Aceite de Motor

AVISO
Si intenta arrancar el motor antes de llenarlo con el refrigerante y aceite recomendados, provocará un fallo del equipo.
<ul style="list-style-type: none">• Consulte la información de llenado de aceite y combustible en la sección <i>Mantenimiento</i> y en el manual del motor.• El daño a la generador, resultado de la desatención a esta precaución, no será cubierto por la garantía.

Este motor se pone en funcionamiento y llena con aceite no sintético (API SL 10W-30W) en la fábrica. Esta medida facilita hacer funcionar el sistema en una amplia gama de condiciones de temperatura y climáticas. Antes de arrancar el motor, compruebe el nivel de aceite y asegúrese de que se hayan realizado las actividades de mantenimiento o reparación necesarias, como se describe en el manual del operario del motor.

Sistema Refrigerante

Este motor se llena en la fábrica con una mezcla de anticongelante de automoción (Dex-Cool™ color naranja) y agua, en una proporción de 50-50. Esta medida proporcionará protección óptima anual contra congelamiento, ebullición y corrosión. El sistema refrigerante incorpora un calentador de agua que funciona cuando la temperatura ambiente es menor a 26,6 °C (80 °F) Y el conector recibe alimentación de la red pública. Antes de arrancar el motor, compruebe el nivel de refrigerante como se describe en el manual del operario del motor.

Batería

El instalador debe suministrar una batería de arranque de 12 V CC, 650 amperios de arranque en frío (CCA) y 55 Ah sellada y recargable. Es posible que la batería no esté totalmente cargada cuando se instale. Si la tensión de la batería es menor a 12 V, cárguela.

NOTA: NO utilice una batería de ciclo profundo.

Fusible de 15 A


El fusible de 15 A del generador se ha retirado en fábrica para evitar el arranque de la unidad durante el transporte. El instalador deberá asegurarse de que el fusible está bien instalado al realizar la instalación.

Funcionamiento Automático

Para seleccionar el funcionamiento automático, haga lo siguiente:

1. Compruebe que el fusible de 15 A esté instalado en el panel de control.

2. Ponga el disyuntor del panel de distribución principal que alimenta tensión de la red al conector en la posición **ON**.
3. Sitúe el interruptor principal del generador en la posición **ON**.
4. Ponga el conmutador del sistema del panel de control en **AUTO**.

⚠ PRECAUCIÓN	
	Con el interruptor en la posición AUTO, el motor puede comenzar a dar vueltas y arrancar en cualquier momento sin previo aviso. Este arranque automático se produce normalmente cuando la tensión de la red desciende por debajo de un nivel predeterminado o durante el ciclo de prueba normal.
<ul style="list-style-type: none">• Para evitar posibles lesiones que pudieran ser provocadas por dichos arranques repentinos, siempre ponga el conmutador del sistema en OFF cuando realice operaciones de mantenimiento en el sistema.• Retire el fusible de 15 Amperios antes de realizar trabajos en el generador, en el conmutador de transferencia o en lugares cercanos a estos equipos.	

Verificación de la Operación Automática

Para comprobar que el sistema funcione automáticamente de manera adecuada, proceda de la siguiente manera:

1. Ponga en el disyuntor del panel de distribución principal que suministra alimentación al conector automático en la posición **OFF**.

El motor comenzará a dar vueltas y arrancará cuando se pierda la tensión de la red pública y transcurra el tiempo determinado por el sensor. Deje que el sistema realice la secuencia completa de funcionamiento automático.

2. Con la salida del generador alimentando las cargas conectadas, ponga el disyuntor del panel de distribución principal que suministra alimentación de la red pública al conector automático en la posición **ON**.
3. El conector automático transferirá de nuevo las cargas a la red pública después de un tiempo de funcionamiento de cinco minutos como mínimo y se restablecerá la alimentación de la red pública.
4. El generador seguirá funcionando durante un minuto más para que se enfríe el motor y luego se parará.

NOTA: Si la red pública se restablece y el generador no se para después de transcurrir diez minutos, ponga el conmutador del sistema en la posición OFF y póngase en contacto con el instalador o con el centro de servicio local.

Esta medida completa los procedimientos de prueba de funcionamiento automático. Ahora, el generador doméstico arrancará automáticamente y suministrará alimentación al conector cuando se pierda la alimentación de la red pública.

Configuración del Temporizador de Práctica

El generador doméstico está equipado con un temporizador de práctica que arranca el sistema y lo prueba una vez cada siete días. Durante este período de práctica, la unidad trabaja durante aproximadamente 20 minutos y luego se apaga. Durante el ciclo de práctica NO se produce la transferencia de cargas eléctricas (a menos que se produzca un corte en el suministro de la compañía proveedora de electricidad).

El panel de control incluye un botón "Set Exercise" (Preparar prueba) (consulte *Panel de control del sistema*). La fecha y la hora concretas en las que se pulsa dicho botón están programadas en la memoria de la tarjeta de control. Esta información se utiliza para iniciar automáticamente el ciclo de prueba del sistema. La leyenda "SET EXERCISE" del panel de control parpadeará hasta que se active el ciclo de prueba.

Para llevar a cabo el procedimiento para configurar la práctica (Set Exercise):

1. Elija el día y la hora en que desea que se realice la práctica del generador doméstico.
2. Ese día y a esa hora, pulse y mantenga pulsado el conmutador "Set Exercise" (Preparar prueba) durante tres segundos.
3. Posteriormente, la unidad arrancará y realizará su ciclo de prueba de 20 minutos.

Por ejemplo, si pulsa el botón "Set Exercise" el domingo en la mañana a las 10:00 a.m., la unidad realizará un ciclo de prueba inmediato y un ciclo de prueba cada domingo a las 10:00 a.m. (+/- 1/2 hora).

NOTA: La función de configuración de práctica ("Set Exercise") sólo funciona si la unidad se encuentra en el modo Automático y si se cumple este procedimiento en forma estricta. El dispositivo de prueba deberá rearmarse si el fusible de 15 A se cambia o retira o si la batería de 12 V CC se desconecta.

Si desea cambiar el día y la hora en que se realiza la práctica de la unidad, simplemente realice el procedimiento de configuración de práctica ("Set Exercise") exactamente el día de la semana y a la hora en que desea que se lleve a cabo.

Mantenimiento

Paro del Sistema

Para brindar servicio al sistema generador doméstico:

1. Quite el fusible de 15 A del panel de control.
2. Ponga el conmutador del sistema del panel de control en **OFF**.
3. La tensión de detección de la red está presente. Desconecte la alimentación antes de proceder al servicio quitando los dos fusibles de 10 A del interruptor de transferencia.

Sistema de Detección de Fallas

Puede que el generador funcione durante períodos prolongados sin presencia de un operario. Por esta razón, el sistema está equipado con detectores que apagan automáticamente el generador en condiciones de riesgo potencial para el equipo (baja presión de aceite, exceso de temperatura, exceso de velocidad, etc.).

El panel de control del generador incluye una pantalla digital que muestra los códigos de fallo, como "FC_1". La tabla siguiente muestra el fallo detectado, el código de fallo que se muestra en el panel de control y el número de parpadeos del indicador LED remoto.

Descripción de la Falla	Código de fallo	Parpadeos del LED
Baja tensión de la batería	FC_1	1
Baja presión de aceite	FC_2	2
Baja tensión	FC_3	3
El motor no arranca	FC_4	4
Baja frecuencia	FC_5	5
Sobrevelocidad del motor	FC_6	6
Alta temperatura	FC_7	7
Fallo del conector	FC_8	8

Un indicador LED remoto situado cómodamente en el interior. El indicador LED permanecerá encendido cuando el generador esté en modo AUTO. En caso de que se detecte un fallo del sistema, el LED se encenderá y parpadeará para identificar el problema. El patrón se repite con una breve pausa entre cada serie.

Restablecimiento del Sistema de Detección de Fallas

El operador debe restablecer el sistema de detección de fallas cada vez que se activa. Para hacerlo, ponga el conmutador del sistema en la posición **OFF** durante 30 segundos o más. Vuelva a poner el Generador Doméstico en servicio después de corregir el problema. Para hacerlo, ponga el conmutador del sistema en la posición **AUTO**.

Utilización

Mantenimiento

A continuación se describen los distintos fallos y se ofrecen sugerencias para solucionarlos:

No se Enciende el LED - Batería Descargada

En caso de detectarse una condición de fallo, si el LED no parpadea se debe a que la batería está totalmente descargada. Para solucionar el problema, quite el fusible de 15 A y desconecte la batería del generador. Lleve la batería a una tienda de baterías próxima para que la analicen. Vuelva a instalar la batería una vez cargada totalmente, conectando el cable NEGATIVO en último lugar. A continuación, vuelva a instalar el fusible de 15 A en el panel de control.

NOTA: Estando la batería instalada y terminado todo el cableado hasta el interruptor de transferencia y el generador doméstico, al aplicar tensión de la red al interruptor automático de transferencia con la unidad en modo AUTO, la batería recibe una carga lenta y continua mientras el motor no está funcionando. El cargador de carga lenta no puede recargar una batería que esté totalmente descargada. Consulte *Batería* en la sección *Mantenimiento*.

Baja Tensión de la Batería (FC_1)

Este fallo se indica mediante el código de fallo FC_1 y un parpadeo del LED. Esta situación se produce cuando el generador no puede arrancar porque la carga de la batería de arranque se encuentra por debajo de la necesaria para poner el motor en funcionamiento. Las causas de este problema podrían ser una batería defectuosa o una falla en el circuito de carga lenta.

Para solucionar el problema, póngase en contacto con el centro de servicio local para comprobar la salida de carga lenta de la batería. Quite el fusible de 15 A y desconecte la batería del generador. Lleve la batería a una tienda de baterías local para que la analicen.

Vuelva a instalar la batería una vez cargada totalmente, conectando el cable **NEGATIVO** en último lugar. Instale el fusible de 15 A.

Baja Presión de Aceite (FC_2)

Este fallo se indica mediante el código de fallo FC_2 y dos parpadeos del LED remoto. La unidad esta equipada con un presostato de aceite que utiliza contactos normalmente cerrados y que se mantienen abiertos por la presión del aceite del motor durante el funcionamiento. En caso de que la presión de aceite caiga debajo del rango de 8 psi, los contactos se cierran y el motor se para.

Para solucionar el problema de baja presión de aceite, añada el aceite recomendado hasta que el nivel llegue a la marca FULL de la varilla de nivel de aceite.

Si la baja presión de aceite continúa, el motor arrancará y después volverá a pararse. El código de fallo aparecerá y el LED parpadeará. En este caso, póngase en contacto con un distribuidor autorizado de Briggs & Stratton.

Baja Tensión (FC_3)

Este fallo se indica mediante el código de fallo FC_3 y tres parpadeo del LED. Esta situación puede ser debida a una restricción del caudal de combustible, un cable de señales roto o desconectado, un fallo de los devanados del alternador, el hecho de estar abierto el interruptor del panel de control o una sobrecarga del generador de reserva doméstico.

Para solucionar el problema, póngase en contacto con el centro de servicio local.

El Motor no Arranca (FC_4)

Este fallo se indica mediante el código de fallo FC_4 y cuatro parpadeo del LED. Esta función evita que el generador se dañe si está continuamente intentando arrancar a pesar de que existe otro problema, como por ejemplo que no haya suministro de combustible. Cada vez que se da al sistema la instrucción de arrancar, la unidad realiza el arranque manual durante 10 segundos, luego hace una pausa de 10 segundos, realiza el arranque manual durante 10 segundos, hace una pausa de 10 segundos y repite la acción. Si el sistema no comienza a producir electricidad luego de aproximadamente 2 minutos, la unidad deja de realizar el arranque manual y el LED comienza a titilar.

Asegúrese de que el interruptor principal del generador está en la posición **ON** (cerrado), de forma que los cables detectores verifiquen que la unidad está en funcionamiento.

La causa más probable de este problema es la falta de suministro de combustible. Compruebe las válvulas de paso de combustible interna y externa para asegurarse de que estén totalmente abiertas. Otras causas podrían ser las bujías defectuosas, una falla en el sistema de ignición del motor o que el filtro de aire del motor esté obstruido. Es posible que deba consultar al instalador para solicitar asistencia si no logra solucionar estos problemas. Una vez que el problema esté solucionado, restablezca el Sistema de detección de fallas tal como se indicó anteriormente.

Baja Frecuencia (FC_5)

Este fallo se indica mediante el código de fallo FC_5 y cinco parpadeos del LED. Esta función protege los dispositivos conectados al conector desconectando el generador si el motor funciona por debajo de 55 Hz durante tres segundos. Esta condición puede debido al fallo de un componente del motor. Para solucionar el problema, póngase en contacto con el instalador o con un distribuidor de servicio autorizado de Briggs & Stratton.

Sobrevelocidad del Motor (FC_6)

Este fallo se indica mediante el código de fallo FC_6 y seis parpadeo del LED. Esta función protege los dispositivos conectados al conmutador de transferencia apagando el generador si el motor trabaja a una velocidad superior al límite preestablecido. La falla por sobrevelocidad se detecta de la siguiente manera:

- Si la frecuencia de salida del generador es 65-70 Hz, durante tres segundos, el generador se para.
- Si la frecuencia de salida del generador es más que 70 Hz, el generador se para inmediatamente.

Esta condición se debió a un fallo de un componente del motor. Para solucionar el problema, deberá consultar al instalador o a los Servicios Técnicos de Briggs and Stratton para obtener asistencia.

Alta Temperatura (FC_7)

Este fallo se indica mediante el código de fallo FC_7 y siete parpadeos del LED. Los contactos del conmutador de temperatura del refrigerante normalmente están abiertos. Si la temperatura del refrigerante de motor excede aproximadamente 115,5 °C (240 °F), se detecta el fallo y el motor se para.

Entre las causas comunes de esta condición se incluyen hacer funcionar la unidad sin las puertas de acceso, obstrucciones en las aberturas de entrada u orificios de escape o residuos en el compartimento del motor o radiador.

Para solucionar el problema, retire la suciedad acumulada o las obstrucciones y deje que el motor se enfríe. Asegúrese de que la puerta de servicio del aceite o la del panel de control se encuentren instaladas siempre que la unidad esté en funcionamiento.

Fallo del Conector (FC_8)

Este fallo se indica mediante el código FC_8 y ocho parpadeos del LED (si el conector dispone de sistema de detección de fallos).

Para solucionar el problema, póngase en contacto con su instalador o con el centro de servicio local.

Mantenimiento del Generador

La garantía del generador no cubre artículos que hayan sido sometidos al abuso o negligencia por parte del operador. Para recibir el valor total de la garantía, el operador debe dar mantenimiento al sistema de acuerdo con las indicaciones del manual del operario del motor.

Todos los ajustes se deben llevar a cabo al menos una vez por temporada. Siga los requisitos del manual del operario del motor.

El mantenimiento del generador consiste en conservar la unidad limpia y seca. Opere y almacene la unidad en un ambiente limpio y seco donde no será expuesta al polvo, suciedad, humedad o vapores corrosivos. Las ranuras del aire de enfriamiento del generador no deben estar tapadas con nieve, hojas, o cualquier otro material extraños.

Verifique que la unidad sea limpiada con frecuencia y lávela cuando observe polvo, suciedad, aceite, humedad u otras sustancias extrañas en la superficie exterior.

NOTA: NO recomendamos el uso de mangueras de jardín para limpiar el generador. El agua podría introducirse en el motor y causar problemas.

Mantenimiento del Motor

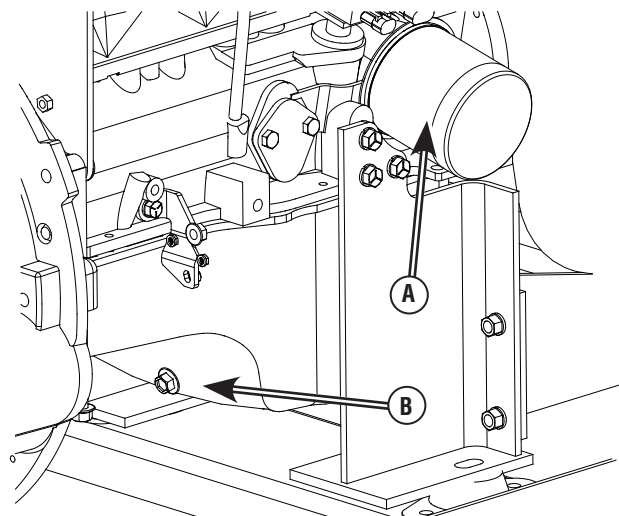
Este sistema incluye un manual del motor. Consúltelo para obtener información sobre temas de mantenimiento relacionados con el motor. Sin embargo, el enfriamiento y la lubricación adecuados del motor son tan importantes que les prestamos atención especial en este documento.

Aceite del Motor

El sistema se llene con el aceite no sintético recomendado (API SL 10W-30W). Esta medida facilita hacer funcionar el sistema en una amplia gama de condiciones de temperatura y climáticas.

NOTA: Consulte el manual del operario del motor para conocer el aceite y los intervalos de cambio de aceite recomendados.

A continuación se muestra la ubicación del orificio de vaciado de aceite (B) y del filtro de aceite (A).



Cambio de aceite del motor

⚠ PRECAUCIÓN

Evite el contacto prolongado o repetido de piel con aceite usado de motor.

- El aceite usado del motor ha sido mostrado al cáncer de la piel de la causa en ciertos animales del laboratorio.
- Completamente lavado expuso áreas con el jabón y el agua.



MANTENER FUERA DEL ALCANCE DE LOS NIÑOS. NO CONTAMINE. CONSERVE LOS RECURSOS. DEPOSITE EL ACEITE USADO EN UN PUNTO DE RECOGIDA.

1. Desconecte el terminal negativo de la batería.
2. Cambie el aceite cuando el motor siga estando caliente después de haber funcionado, como se describe en el manual del operario del motor.

AVISO

Cualquier intento para arancar el motor antes de haberle proporcionado el mantenimiento apropiado con el aceite recomendado, podría ocasionar la falla del motor.

- Consulte la información de llenado de aceite y combustible en la sección *Mantenimiento* y en el manual del motor.
- El daño a la generador, resultado de la desatención a esta precaución, no será cubierto por la garantía.

Para facilitar la tarea de adición de aceite, recomendamos utilizar un embudo fijado a un tubo lo suficientemente largo como para que se extienda desde la puerta de llenado de refrigerante hasta el orificio de llenado de aceite en la tapa de válvulas del motor.

Sistema refrigerante del motor

Con el motor frío, compruebe el nivel de refrigerante en el depósito de refrigerante, el cual se ve desde el interior de la puerta del panel de control. Las instrucciones de mantenimiento del refrigerante del motor se encuentran en el manual del operario del motor.

Batería

Cargar la Batería

Si es necesario realizar el cargar de la batería, proceda de la manera siguiente:

1. Fije el conmutador del sistema del generador en la posición **OFF**.
2. Quite el fusible de 15 A del panel de control.
3. Desconecte el cable negativo de la batería al terminal negativo (marcado como **NEGATIVE, NEG** ó (-)).

AVISO

Si no se desconecta el cable negativo de la batería, se provocará una avería.

- NO intente arrancar en puente la batería.
 - El daño a la generador, resultado de la desatención a esta precaución, no será cubierto por la garantía.
4. Cargue la batería con un cargador a 2 A hasta alcanzar una carga de 12 V.

⚠ ADVERTENCIA



Las baterías almacenadas producen hidrógeno explosivo mientras estén siendo recargadas.

Una pequeña chispa puede encender el hidrógeno y causar una explosión.



El fluido de electrolito de la batería contiene ácido y es extremadamente cáustico.



El contacto con el fluido de la batería puede causar quemaduras químicas severas.

Las baterías presentan un riesgo de descarga eléctrica y de elevada corriente de cortocircuito.

- NO deseche la batería tirándola al fuego.
- No permita ninguna llama abierta, chispa, calor, o encienda un cigarrillo durante y por varios minutos después de haber recargado la batería.
- NO abra ni manipule la batería.
- Lleve puestos las gafas protectoras, delantal y guantes de goma.
- No lleve relojes, anillos ni otros objetos metálicos.
- Utilice herramientas con mangos aislados.

NOTA: Con la batería instalada y tensión de la red aplicada al interruptor automático de transferencia, la batería recibe una carga lenta siempre que el motor no está funcionando. Con carga lenta, una batería descargada puede tardar hasta 72 horas para cargarse totalmente. La carga lenta no se puede utilizar para cargar una batería que se haya descargado por completo.

5. Conecte el cable negativo de la batería al terminal negativo (marcado como **NEGATIVE, NEG** ó (-)).
6. Compruebe que los elementos de fijación en los terminales negativo y positivo de la batería están perfectamente apretados.
7. Instale el fusible de 15 Amperios en el panel de control.

⚠ PRECAUCIÓN



La instalación del fusible de 15 A del panel de control puede arrancar el motor.

- NO instale este fusible hasta que no se hayan completado e inspeccionado todas las conexiones de cables y tuberías.
8. Fije el conmutador del sistema del generador en la posición **AUTO**.
 9. Reinicialización del temporizador de prueba. Consulte *Ajuste del temporizador de prueba*.

Servicio la Batería

Si es necesario realizar el servicio de la batería, proceda de la manera siguiente:

1. Fije el conmutador del sistema del generador en la posición **OFF**.
2. Quite el fusible de 15 A del panel de control.
3. El servicio o reemplaza batería como requerido.
4. Conectar el conductor rojo de la batería al terminal positivo de la misma (marcado como **Positive, POS** o **(+)**).
5. Conecte el cable negativo de la batería al terminal negativo (marcado como **NEGATIVE, NEG** ó **(-)**).
6. Compruebe que los elementos de fijación en los terminales negativo y positivo de la batería están perfectamente apretados.
7. Instale el fusible de 15 Amperios en el panel de control.
8. Fije el conmutador del sistema del generador en la posición **AUTO**.
9. Reinicialización del temporizador de prueba. Consulte *Ajuste del temporizador de prueba*.

Para Limpiar el Generador

AVISO

El tratamiento inadecuado del generador puede dañarlo y acortar su vida productiva.

- NO exponga al generador a una humedad excesiva, polvo, suciedad o vapores corrosivos.
 - NO inserte cualquier objeto a través de las ranuras de enfriamiento.
- Utilice un trapo húmedo para limpiar las superficies exteriores.
 - Puede usar un cepillo de cerdas suaves para retirar la suciedad endurecida, aceite, etc.
 - Puede usar una máquina aspiradora para eliminar suciedad y residuos sueltos.
 - Puede usar aire a baja presión (que no exceda los 25 psi) para eliminar la suciedad. Inspeccione las ranuras para aire de enfriamiento y la apertura del generador. Estas aperturas deberán mantenerse limpias y despejadas.

Si Llama a la Fábrica

En caso de que sea necesario consultar al Servicio técnico de Briggs & Stratton respecto a servicios o reparaciones de esta unidad, usted debe tener disponible la siguiente información:

1. Obtenga el número de modelo y número de serie de la unidad de la etiqueta de datos. Consulte *Controles* para localizar la etiqueta o consulte la información registrada en la portada del manual de instalación.
2. Obtenga los números de identificación del motor de la etiqueta del motor. Consulte el manual del operario del motor para localizar esta información. Observe que en este manual se describen diferentes sistemas generadores domésticos, por lo que el aspecto de su unidad puede variar de la que se presenta aquí.

Almacenamiento

El generador doméstico de Briggs & Stratton está diseñado para brindar servicio durante períodos prolongados como generador de reserva. Por consiguiente, no es necesario tomar ninguna precaución de almacenamiento. Sin embargo, si es necesario poner el sistema fuera de servicio durante un período largo, llame al Servicio técnico de Briggs and Stratton al (800) 743-4115, entre 8:00 a.m. y 5:00 p.m. hora del centro de EE.UU. para obtener recomendaciones específicas. Consulte el manual del operario del motor para obtener más información.

Problemas

Problemas	Causa	Corrección
El motor está funcionando pero no hay salida de c.a. disponible.	<ol style="list-style-type: none"> 1. El interruptor automático está abierto o defectuoso. 2. Fallo en el panel de control del generador. 3. Las conexiones de cableado son inadecuadas o el conmutador de transferencia está defectuoso. 	<ol style="list-style-type: none"> 1. Restablezca el interruptor automático o reemplácelo. 2. Consulte al servicio de Briggs & Stratton. 3. Verifíquelo y repárelo.
El motor funciona cuando no tiene carga pero “se atasca” cuando se conectan las cargas.	<ol style="list-style-type: none"> 1. Hay un cortocircuito en una de las cargas conectadas. 2. El generador está sobrecargado. 3. Hay un circuito del generador en cortocircuito. 4. La presión o mezcla de combustible es incorrecta. 5. La línea de combustible está retorcida. 	<ol style="list-style-type: none"> 1. Desconecte la carga que está en cortocircuito. 2. Vea la sección <i>Circuitos Fundamentales</i>. 3. Consulte al servicio de Briggs & Stratton. 4. Consulte la sección <i>El sistema de combustible gaseoso</i> del Manual de instalación. 5. Consulte la sección <i>El sistema de combustible gaseoso</i> del Manual de instalación.
El motor no arranca o arranca pero funciona con dificultad.	<ol style="list-style-type: none"> 1. Falta un fusible de 15 Amperios o está fundido. 2. No hay combustible. 3. La batería presenta una falla. 4. La presión del combustible es incorrecta.. 	<ol style="list-style-type: none"> 1. Instale un fusible de 15 Amperios (nuevo). 2. Abra la o las válvulas de combustible; verifique el tanque de propano. 3. Reemplace la batería. 4. Consulte la sección <i>El sistema de combustible gaseoso</i> del Manual de instalación.
El motor se apaga durante la operación.	<ol style="list-style-type: none"> 1. No hay combustible. 2. El indicador de fallas se enciende en forma intermitente. 	<ol style="list-style-type: none"> 1. Verifique las válvulas de combustible, llene el tanque de propano. 2. Cunte los parpadeos y consulte la sección <i>Sistema de Detección de Fallas</i>.
Pérdida de potencia en los circuitos fundamentales.	<ol style="list-style-type: none"> 1. El interruptor automático del generador está abierto. 2. Problemas en el interruptor de transferencia. 	<ol style="list-style-type: none"> 1. Restablezca el interruptor automático. 2. Consulte el manual del interruptor de transferencia.

**POLÍTICA DE GARANTÍA PARA EL PROPIETARIO
DEL GENERADOR DOMÉSTICO BRIGGS & STRATTON POWER PRODUCTS GROUP, LLC**

Fecha de entrada en vigor: 1 de Septiembre de 2007. Sustituye a todas las garantías sin fecha y a las de fecha anterior al 1 de Septiembre de 2007

GARANTÍA LIMITADA

Briggs & Stratton Power Products Group, LLC reparará o sustituirá sin cargo alguno cualquier componente del equipo que presente defectos de materiales y/o mano de obra. Los gastos de transporte de la producto enviadas para reparar o sustituir conforme a los términos de esta garantía correrán a cargo del comprador. El periodo de vigencia y las condiciones de esta garantía son los que se estipulan a continuación. Para obtener servicio en garantía, localice el distribuidor de servicio autorizado más próximo en nuestro mapa de distribuidores, en www.BRIGGSandSTRATTON.COM.

NO EXISTE NINGUNA OTRA GARANTÍA EXPLÍCITA. LAS GARANTÍAS IMPLÍCITAS, INCLUIDAS LAS DE COMERCIABILIDAD O IDONEIDAD PARA UN FIN CONCRETO, SE LIMITAN A UN AÑO DESDE LA FECHA DE COMPRA O AL LÍMITE DE TIEMPO PERMITIDO POR LA LEY. QUEDAN EXCLUIDAS TODAS LAS GARANTÍAS IMPLÍCITAS QUEDA EXCLUIDA LA RESPONSABILIDAD POR DAÑOS SECUNDARIOS Y DERIVADOS HASTA EL LÍMITE PERMITIDO POR LA LEY. Algunos países o estados no permiten limitar la duración de una garantía implícita ni excluir o limitar los daños secundarios y derivados. Por tanto, es posible que las limitaciones y exclusiones mencionadas no sean aplicables en su caso. Esta garantía le otorga determinados derechos legales y es posible que tenga otros derechos que pueden variar de un país o estado a otro.

PERÍODO DE GARANTÍA

Uso del consumidor	4 años o 1500 horas, lo que suceda antes
Uso comercial	ninguno

El período de garantía comienza en la fecha de compra del primer consumidor o usuario comercial final y se prolonga durante el tiempo especificado en la siguiente tabla. "Uso del consumidor" significa uso doméstico personal por parte de un consumidor final. "Uso comercial" significa cualquier otro uso, incluidos los usos con fines comerciales, de generación de ingresos o alquiler. Una vez que el equipo se haya usado con fines comerciales, se considerará como equipo de uso comercial a efectos de esta garantía.

NO ES NECESARIO REGISTRAR LA GARANTÍA PARA OBTENER SERVICIO DE BRIGGS & STRATTON PRODUCTS. GUARDE SU RECIBO DE COMPRA. SI NO APORTA LA PRUEBA DE LA FECHA DE COMPRA INICIAL, SE UTILIZARÁ LA FECHA DE FABRICACIÓN DEL PRODUCTO PARA DETERMINAR EL PERÍODO DE GARANTÍA.

ACERCA DE LA EQUIPO GARANTÍA

Esperamos que disfrute de nuestra garantía y le pedimos disculpas por las molestias causadas. Cualquier distribuidor de servicio autorizado puede llevar a cabo reparaciones en garantía. La mayoría de las reparaciones en garantía se gestionan normalmente, pero algunas veces la solicitud de servicio en garantía puede no ser procedente. Por ejemplo, la garantía no será válida si el equipo presenta daños debidos al mal uso, la falta de mantenimiento, el transporte, la manipulación, el almacenamiento o la instalación inadecuados. De manera similar, la garantía quedará anulada si se ha borrado la fecha de fabricación o el número de serie del equipo, o si el equipo ha sido alterado o modificado. Durante el período de garantía, el distribuidor de servicio autorizado podrá reparar o sustituir, a su libre elección, cualquier pieza que, previa inspección, sea defectuosa en condiciones normales de uso y servicio. Esta garantía no cubre las reparaciones y equipos que se detallan a continuación:

- **Desgaste normal:** Al igual que cualquier otro aparato mecánico y motores, los equipos de uso en exteriores necesitan piezas y mantenimiento periódicos para funcionar correctamente. Esta garantía no cubre las reparaciones cuando el uso normal haya agotado la vida útil de una pieza concreta del equipo.
- **Instalación y mantenimiento:** Esta garantía no cubre los equipos ni las piezas cuya instalación sea incorrecta o no haya sido autorizada, ni aquellos que hayan sido objeto de cualquier tipo de alteración, mal uso, negligencia, accidente, sobrecarga, exceso de velocidad o mantenimiento, reparación o almacenamiento inadecuados que, a nuestro juicio, haya afectado negativamente a su funcionamiento y su fiabilidad. La garantía tampoco cubre el mantenimiento normal, como los ajustes y la limpieza, o la obstrucción del sistema de combustión (debido a materias químicas, suciedad, carbón, cal, etc.).
- **Otras exclusiones:** *IMPACO Technologies* es el titular del *Registro de fabricantes* de todas las cuestiones de cumplimiento de la Agencia de Protección del Medioambiente (Environmental Protection Agency, EPA) relativas al uso y el rendimiento de este motor. Quedan excluidos de esta garantía el desgaste de elementos tales como medidores de aceite, juntas tóricas, filtros, fusibles, anti helado, bujías, etc. así como los daños derivados de accidentes, uso indebido, modificaciones, alteraciones, servicio inadecuado, congelación o deterioro químico. Quedan excluidos de la garantía del producto los elementos accesorios. Esta garantía excluye los fallos debidos a hechos fortuitos y a otros acontecimientos de fuerza mayor que escapan al control del fabricante. También se excluyen los equipos usados o reacondicionados y los destinados a demostraciones; los equipos utilizados como fuente principal de energía en lugar de un servicio público y los equipos sanitarios destinados al mantenimiento de las constantes vitales. 204949S, Rev. A, 11/09/2007

BRIGGS & STRATTON POWER PRODUCTS GROUP, LLC
JEFFERSON, WI, EE.UU.

POLÍTICA DE GARANTÍA PARA EL PROPIETARIO DE GENERADORES DE RESERVA BRIGGS & STRATTON HOME POWER PRODUCTS GROUP, LLC

Fecha de entrada en vigor: 1 de enero de 2008. Sustituye a todas las garantías sin fecha y a las de fecha anterior al 1 de enero de 2008.

GARANTÍA LIMITADA

Briggs & Stratton Power Products Group, LLC reparará o sustituirá sin cargo alguno cualquier componente del equipo que presente defectos de materiales y/o mano de obra. Los gastos de viaje serán reembolsados según se especifica en el documento Pautas de la garantía de Briggs and Stratton, a los distribuidores de Briggs & Stratton autorizados para realizar reparaciones cubiertas por la garantía. El período de vigencia y las condiciones de esta garantía son los que se estipulan a continuación. Para obtener servicio en garantía, localice el distribuidor de servicio autorizado más próximo en nuestro mapa de distribuidores, en BRIGGSandSTRATTON.COM.

NO EXISTE NINGUNA OTRA GARANTÍA EXPLÍCITA. LAS GARANTÍAS IMPLÍCITAS, INCLUIDAS LAS DE COMERCIABILIDAD O IDONEIDAD PARA UN FIN CONCRETO, SE LIMITAN A UN AÑO A PARTIR DE LA FECHA DE COMPRA O AL LÍMITE DE TIEMPO PERMITIDO POR LA LEY. QUEDAN EXCLUIDAS TODAS LAS GARANTÍAS IMPLÍCITAS. QUEDA EXCLUIDA LA RESPONSABILIDAD POR DAÑOS SECUNDARIOS Y DERIVADOS HASTA EL LÍMITE PERMITIDO POR LA LEY. Algunos países o estados no permiten limitar la duración de una garantía implícita ni excluir o limitar los daños secundarios y derivados. Por tanto, es posible que las limitaciones y exclusiones mencionadas no sean aplicables en su caso. Esta garantía le otorga determinados derechos legales y es posible que tenga otros derechos que pueden variar de un país o estado a otro.

PERÍODO DE GARANTÍA

Uso del consumidor:	4 años ó 2.000 horas, lo que suceda antes
Uso comercial:	2 años ó 1.000 horas, lo que suceda antes. Cobertura completa al 100% el primer año; el segundo año sólo se cubre el alternador y el motor
Uso para alquiler:	Ninguna cobertura

El período de garantía comienza en la fecha de compra del primer consumidor o usuario comercial final y se prolonga durante el tiempo especificado anteriormente. "Uso del consumidor" significa uso doméstico personal por parte de un consumidor final. "Uso comercial" significa cualquier otro uso, incluidos los usos con fines comerciales o de generación de ingresos. "Uso para alquiler" significa cualquier uso que se le dé a este producto para alquiler temporal o semipermanente. Una vez que el equipo se haya usado con fines comerciales o de alquiler, se considerará como equipo de uso comercial o para alquiler a efectos de esta garantía.

NO ES NECESARIO REGISTRAR LA GARANTÍA PARA OBTENER SERVICIO DE BRIGGS & STRATTON PRODUCTS. GUARDE SU RECIBO DE COMPRA. SI NO APORTA LA PRUEBA DE LA FECHA DE COMPRA INICIAL EN EL MOMENTO DE SOLICITAR EL SERVICIO EN GARANTÍA, SE UTILIZARÁ LA FECHA DE FABRICACIÓN DEL PRODUCTO PARA DETERMINAR EL PERÍODO DE GARANTÍA.

ACERCA DE LA GARANTÍA

Esperamos que disfrute de nuestra garantía y le pedimos disculpas por las molestias causadas. Cualquier distribuidor de servicio autorizado puede llevar a cabo reparaciones cubiertas por la garantía. La mayoría de las reparaciones cubiertas por la garantía se gestionan normalmente, pero algunas veces la solicitud de servicio en garantía puede no ser procedente. Por ejemplo, la garantía no será válida si el equipo presenta daños debidos al mal uso, la falta de mantenimiento de rutina, el transporte, la manipulación, el almacenamiento o la instalación inadecuados. De manera similar, la garantía quedará anulada si se ha borrado la fecha de fabricación o los números de serie del equipo, o si el equipo ha sido alterado o modificado. Durante el período de garantía, el distribuidor de servicio autorizado podrá reparar o sustituir, a su libre elección, cualquier componente que, tras ser inspeccionado, presente defectos en condiciones normales de uso y mantenimiento. Esta garantía no cubre las reparaciones y los equipos que se detallan a continuación:

- **Desgaste normal.** Al igual que todos los dispositivos mecánicos, los equipos de uso en exteriores y motores necesitan componentes y mantenimiento periódico para funcionar correctamente. Esta garantía no cubre las reparaciones cuando el uso normal haya agotado la vida útil de un componente o del equipo.
- **Instalación y mantenimiento:** Esta garantía no cubre los equipos ni los componentes cuya instalación sea incorrecta o no haya sido autorizada, ni aquellos que hayan sido objeto de cualquier tipo de alteración, mal uso, negligencia, accidente, sobrecarga, exceso de velocidad o mantenimiento, reparación o almacenamiento inadecuados que, a nuestro juicio, haya afectado negativamente a su funcionamiento y su fiabilidad.
- **Exclusiones:** Para obtener más información sobre las políticas y los procedimientos de la garantía del motor, póngase en contacto con Power Solutions Incorporated al 1-630-350-9400 o visite www.PSEngines.com. IMPCO Technologies es el representante del fabricante en lo que concierne al registro de todos los asuntos de cumplimiento de la Agencia de protección del medioambiente (Environmental Protection Agency, EPA) relacionados con el uso y el rendimiento del motor.

Quedan excluidos de esta garantía el desgaste de elementos tales como aceite del motor, medidores de aceite, juntas tóricas, filtros, fusibles, bujías, anticongelante o baterías de arranque, etc., así como los daños derivados de accidentes, uso indebido, modificaciones, alteraciones, servicio inadecuado, congelación o deterioro químico. Quedan excluidos de la garantía del producto los accesorios. Esta garantía excluye los fallos debidos a hechos fortuitos y a otros acontecimientos de fuerza mayor que escapan al control del fabricante. También se excluyen los equipos usados o reacondicionados y los destinados a demostraciones; los equipos utilizados como fuente principal de energía en lugar de un servicio público y los equipos destinados al mantenimiento de las constantes vitales.

Los términos de la garantía continúan en la página siguiente.

Otras exclusiones:

1. Todos los costes por ajustes, conexiones o abrazaderas sueltas o que presenten fugas, operaciones de instalación o arranque, limpieza y obstrucción del sistema de combustible (debido a materias químicas, suciedad, carbón, cal, etc.) y cualquier fallo provocado por combustible, anticongelante o aceite contaminado.
2. Unidades vendidas como fuentes principales de energía, según lo definido en los códigos nacionales de electricidad de Estados Unidos y Canadá, independientemente de que, en condiciones normales, exista o no una red pública.
3. Cualquier unidad para alquiler.
4. Cualquier pérdida de ingresos que sea resultado directo o indirecto del fallo de esta unidad.
5. Fallos debidos a fuerzas externas o a hechos fortuitos, tales como heladas, robos, incendios, colisiones, guerras o disturbios, vandalismo, rayos, terremotos, tormentas de viento, granizo, erupciones volcánicas, inundaciones, tornados, huracanes, actos terroristas u holocausto nuclear.
6. Daños secundarios, derivados o indirectos causados por defectos en los materiales o en la mano de obra o por cualquier retraso en la reparación o la sustitución de los componentes defectuosos.
7. Fallos debidos a la mala aplicación o mala representación.
8. Gastos por uso de teléfono, satélite, fax, teléfono móvil, Internet u otro medio de comunicación.
9. Gastos por trabajo en horas extraordinarias, días festivos o emergencias.
10. Cualquier medio de transporte que, a nuestro juicio, se considere poco común, como aviones, transbordadores, ferrocarril, autobuses, helicópteros, motonieves, tractores para nieve (snow-cats), vehículos de servicio, etc.
11. Todo gasto incurrido en la investigación de quejas de rendimiento, a menos que la presencia de defectos en los materiales BSHP y/o la mano de obra haya sido la causa directa del problema.
12. Gastos de transporte urgente de los repuestos.
13. Otro equipo para alquiler utilizado mientras se lleva a cabo la reparación cubierta por la garantía (es decir, generadores, equipo de manejo de material, etc.).
14. Lesiones personales, incluida la muerte, que resulten del fallo del producto; 204949E, Rev. B, 17 de enero de 2008.

BRIGGS & STRATTON POWER PRODUCTS GROUP, LLC
JEFFERSON, WI, EE.UU.

Sistema generador doméstico

Especificaciones del producto

30 kW

Corriente de Carga Nominal Máxima:

a 120 Voltios250 Amperios

a 240 Voltios125 Amperios

Tensión de c.a. Nominal 120/240 Voltios

Fases.Monofásico

Frecuencia Nominal 60 Hz

Rango Operativo Normal .. -28.8°C (-20°F) to 40°C (104°F)

Nivel de Ruido 65 dB(A) at 7 m (23 pies)
con Carga Completa

Peso de Envío del Sistema 771 kg (1700 lb)

45 kW

Corriente de Carga Nominal Máxima:

a 120 Voltios375 Amperios

a 240 Voltios 187.5 Amperios

Tensión de c.a. Nominal 120/240 Voltios

Fases.Monofásico

Frecuencia Nominal 60 Hz

Rango Operativo Normal .. -28.8°C (-20°F) to 40°C (104°F)

Nivel de Ruido 65 dB(A) at 7 m (23 pies)
con Carga Completa

Peso de Envío del Sistema 941 kg (2075 lb)

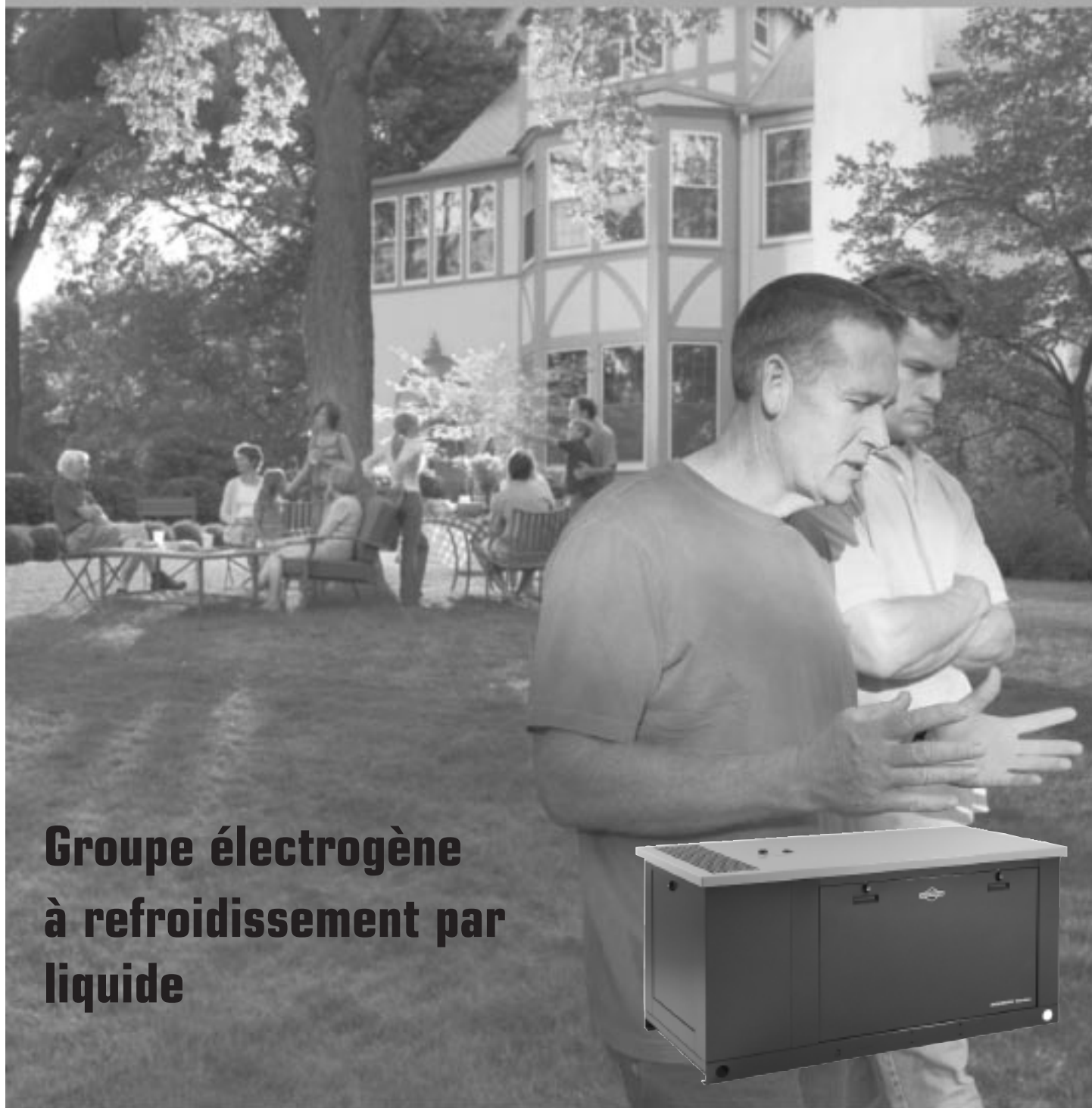
Este generador está clasificado conforme a la norma UL (Underwriters Laboratories) 2200 (grupos generadores de motor fijo) y a la norma C22.2 No. 100-04 (motores y generadores) de la CSA (Canadian Standards Association [Asociación canadiense de normalización]).

Briggs & Stratton Power Products Group, LLC
900 N. Parkway
Jefferson, Wisconsin, 53549 U.S.A.



Home Generator Systems

Manuel de l'Utilisation



**Groupe électrogène
à refroidissement par
liquide**

Nous vous remercions d'avoir acheté cette génératrice résidentielle de qualité Briggs & Stratton. Nous sommes heureux que vous fassiez confiance à la marque Briggs & Stratton. Lorsque utilisée et entretenue selon les instructions de ce manuel, votre génératrice Briggs & Stratton vous offrira de nombreuses années de service fiable.

Ce manuel contient des renseignements sur la sécurité pour vous informer des dangers et des risques associés au groupe électrogène ainsi que de la façon de les éviter. Le groupe électrogène est conçu pour être utilisé comme groupe électrogène optionnel fournissant une source d'électricité alternative et pour desservir des charges comme le chauffage, les systèmes de réfrigération et les systèmes de communication qui, lorsqu'ils sont arrêtés durant une panne d'électricité, peuvent causer des inconforts ou inconvénients. Ce produit n'est pas conçu pour être utilisé à d'autres fins et ne se qualifie pas comme génératrice d'urgence tel que défini par la NFPA 70 (NEC).

Cette génératrice résidentielle auxiliaire nécessite une installation professionnelle avant l'utilisation. Consultez le manuel d'*installation* séparé pour les directives sur les procédures sécuritaires d'installation. Votre installateur devrait suivre les instructions d'installation à la lettre. **Conservez ces instructions pour référence future.**

Où nous trouver

Vous n'aurez jamais à chercher bien loin pour trouver un centre de support et de service pour les génératrices résidentielles auxiliaires. Consultez les Pages Jaunes. Il y a des milliers de distributeurs de service après-vente agréés Briggs & Stratton dans le monde. Vous pouvez aussi téléphoner au Service à la clientèle de Briggs & Stratton au **(800) 743-4115** ou utiliser notre Outil de recherche à BRIGGSandSTRATTON.COM, qui procure une liste des détaillants autorisés de Briggs & Stratton.

Consultez le Manuel d'installation pour obtenir la date d'achat du système et les numéros d'identification des pièces.

Briggs & Stratton Power Products Group, LLC
900 North Parkway
Jefferson, WI 53549

Copyright © 2008 Briggs & Stratton Power Products Group, LLC. Tous droits réservés. Aucune partie de ce manuel ne peut être reproduite ou transmise sous n'importe quelle forme et par quelque moyen que ce soit sans l'autorisation expresse écrite de Briggs & Stratton Power Products Group, LLC.

Table des matières

Directives de sécurité importantes	4
Installation	7
Au Propriétaire Résidentiel:	7
Au Détaillant ou à l'Entrepreneur Procédant à l'Installation:	7
Conseils au propriétaire	7
Facteurs Relatifs au Combustible.	7
Emplacement de la Génératrice	8
Circuits Essentiels	8
Vérification de la Livraison.	10
Fonctions et commandes	11
Fonctionnement	14
Fonctionnement automatique.	14
Réglage de la Minuterie du Cycle d'Exercice	15
Entretien	15
Système de Détection des Pannes	15
Entretien du Générateur	17
l'Huile Moteur.	17
Système de refroidissement du moteur	18
Batterie.	18
Dépannage	19
Garantie	20
Caractéristiques du produit	22

Sécurité

Instalación

Commandes

Fonctionnement

Entretien

Dépannage


Garantie

Français

fr

Veillez conserver ces instructions

Directives de sécurité importantes

Le symbole indiquant un message de sécurité () est accompagné d'un mot indicateur (DANGER, ATTENTION, AVERTISSEMENT), d'un message illustré et/ou d'un message de sécurité visant à vous avertir des dangers.










DANGER indique un danger qui, s'il n'est pas évité, provoquera des blessures graves, voire fatales.

AVERTISSEMENT indique un danger qui, s'il n'est pas évité, peut provoquer des blessures graves, voire fatales.

ATTENTION indique un danger qui, s'il n'est pas évité, peut provoquer des blessures mineures ou légères. Le mot **AVIS** indique une situation pouvant endommager l'équipement. Suivez les messages de sécurité pour éviter ou réduire les risques de blessures ou de mort.

Le fabricant ne peut anticiper toutes les circonstances potentielles pouvant comporter un danger. Par conséquent, les avertissements contenus dans le présent manuel, ainsi que les plaques et les décalques apposés sur l'unité n'englobent pas toutes les possibilités. Si vous utilisez une procédure, une méthode de travail ou une technique d'opération non spécifiquement recommandée par le fabricant, vous devez vous assurer qu'elle ne compromet pas votre sécurité ni celle des autres. Vous devez également vous assurer que la procédure, la méthode de travail ou la technique d'opération que vous choisissez ne rende pas la génératrice dangereuse.

Symboles de Danger et Moyens

		
Explosion	Feu	Choc Électrique
		
Emanations Toxiques	Parties en mouvement	Surface Chaude
		
Auto démarrage	Pression Explosive	Brûlures Chimiques

AVERTISSEMENT



Les batteries d'accumulateur produisent du gaz hydrogène explosif lorsqu'elles se rechargent.

La plus petite étincelle enflammera l'hydrogène et provoquera une explosion.



Le liquide d'électrolyte de l'accumulateur contient de l'acide et est extrêmement caustique.



Le contact avec le liquide de l'accumulateur provoquera de graves brûlures chimiques.

Toute batterie présente un risque de choc électrique et de courant de court-circuit élevé.

- NE jetez PAS la batterie dans le feu.
- Ne laissez aucune flamme, étincelle, source de chaleur ou cigarette allumée pendant ou plusieurs minutes suivant la charge de l'accumulateur.
- N'ouvrez PAS ni N'endommagez la batterie.
- Portez des lunettes de protection, un tablier et des gants en caoutchouc.
- Enlevez votre montre, vos bagues et tout autre objet de métal.
- Utilisez des outils avec des poignées isolées.

AVERTISSEMENT



Le moteur, lorsqu'il fonctionne, produit du monoxyde de carbone, un gaz toxique inodore et incolore.

L'inhalation du monoxyde de carbone peut causer des maux de tête, de la fatigue, des étourdissements, le vomissement, de la confusion, des crises épileptiques, des nausées, l'évanouissement ou la mort.

- Faites fonctionner le générateur SEULEMENT à l'extérieur.
- Installez un avertisseur de monoxyde de carbone à piles près des chambres à coucher.
- Évitez que les gaz d'échappement entrent dans un espace restreint, par une fenêtre, une porte, une prise d'aération ou toute autre ouverture.

AVERTISSEMENT

L'échappement du moteur de ce produit contient des produits chimiques que l'État de Californie considère comme causant le cancer, des déformations à la naissance ou d'autres dangers concernant la reproduction.

⚠ AVERTISSEMENT

Le générateur produit une tension élevée.
Ne pas relier le générateur à la terre risque de provoquer des électrocutions.
NE PAS isoler le générateur de l'installation électrique risque de provoquer des blessures ou même d'être fatal pour les ouvriers électriciens et de causer des dommages au générateur dus à un "backfeed" d'énergie électrique

- Lorsque vous utilisez le générateur comme source d'énergie de secours, il est nécessaire d'aviser les services publics d'électricité.
- NE touchez PAS les fils dénudés ou les boîtiers.
- NE manipulez PAS le générateur ou les cordons d'alimentation lorsque vous êtes debout dans l'eau, pieds nus ou avec les mains ou les pieds humides.
- Si vous devez travailler autour d'une unité alors qu'elle est en marche, placez-vous sur une surface sèche isolée afin de réduire les risques de choc électrique.
- NE laissez PAS des personnes non qualifiées ou des enfants se servir ou réparer le générateur.
- En cas d'accident causé par un choc électrique, procédez immédiatement à la mise hors tension de l'alimentation électrique et contacter des autorités locales. **Évitez tout contact direct avec la victime.**
- En dépit de la conception sécuritaire du groupe électrogène, le fait d'opérer l'équipement de façon imprudente, de ne pas l'entretenir ou d'être négligent peut causer des blessures et la mort.
- Demeurez alerte en tout temps lorsque vous travaillez sur cet équipement. NE travaillez JAMAIS sur l'équipement si vous êtes fatigué physiquement ou mentalement.
- Avant de procéder à tout entretien sur la génératrice, débranchez tout d'abord le câble de batterie identifié par **NEGATIVE, NEG** ou (-). Rebranchez le câble après avoir terminé.
- Une fois votre génératrice d'état d'attente installée, la génératrice peut se lancer et démarrer sans avertissement lorsque survient une panne électrique. Pour prévenir des blessures potentielles, **AVANT** de travailler sur l'équipement, réglez toujours l'interrupteur de système sur OFF, **ET** enlevez le fusible de 15 Ampères.

⚠ AVERTISSEMENT

Le gaz propane et le gaz naturel sont extrêmement inflammables et explosifs.



Le feu ou l'explosion risque de provoquer des blessures graves, pouvant être fatales.

- Installez le système d'alimentation de combustible conformément à la norme N.F.P.A. 37 et aux codes applicables aux combustibles et aux gaz.
- Avant de mettre en service le génératrice d'état d'attente, il faut purger adéquatement les lignes d'alimentation de combustible et les tester pour les fuites.
- Une fois le système installé, vous devez vérifier le système de combustible sur une base régulière.
- Aucune fuite ne peut être tolérée.
- NE faites PAS fonctionner le moteur si vous sentez une odeur de combustible ou si d'autres conditions d'explosion sont présentes.
- Abstenez-vous de fumer près de la génératrice. Essayez immédiatement tout déversement d'huile. Assurez-vous de ne laisser aucun matériau combustible dans le compartiment de la génératrice. Gardez la zone autour de la génératrice propre et sans débris.

⚠ AVERTISSEMENT

Tout contact avec la zone du silencieux peut causer des brûlures graves.



La chaleur et les gaz d'échappement peuvent enflammer des matériaux combustibles et les structures ainsi que causer un incendie.

- NE touchez PAS aux pièces chaudes et évitez le contact avec les gaz d'échappement.
- Laissez l'équipement refroidir avant de le toucher.
- N'installez PAS la génératrice à moins de 1,5 m (5 pi) de tous matériaux combustibles ou structures comportant des murs combustibles dont le degré de résistance au feu est de moins d'une heure.

⚠ AVERTISSEMENT

Démarreur et autre tournères peut empêtrer mains, cheveux, vêtement, ou accessoires.

- N'utilisez JAMAIS un génératrice sans bâti ou couvercles protecteurs.
- NE portez PAS de vêtements lâches, de bijoux ou tout ce qui risquerait d'être pris dans le démarreur ou toute autre pièce rotative.
- Embouteiller des cheveux longs et enlève la bijouterie.

ATTENTION

L'installation du fusible 15 A du panneau électrique pourrait entraîner le démarrage du moteur.

- Prenez note que, avant l'expédition, le fusible de 15 Ampères a été retiré du panneau électrique.
- N'installez PAS ce fusible avant que toute la plomberie et le câblage n'aient été complétés et vérifiés.

ATTENTION

Les vitesses de fonctionnement excessivement élevées augmentent les risques de blessure ou risquent d'endommager le générateur.

Une charge excessive entraînera l'arrêt du moteur.

- NE trafiquez PAS la vitesse réglée. Le générateur produit une fréquence nominale et une tension correctes lorsqu'il fonctionne à une vitesse réglée.
- NE modifiez PAS le générateur d'aucune façon.

AVIS

Dépasser la capacité de puissance ou d'ampérage du générateur risque d'endommager ce dernier et/ou les autres appareils électriques qui y sont branchés.

- Voir la section *Circuits Essentiels*.
- Démarrez le générateur et laissez le moteur se stabiliser avant de brancher les charges électriques.

AVIS

Un traitement inapproprié du générateur risque de l'endommager et de raccourcir sa durée d'utilisation.

- Ne vous servez du générateur que pour les utilisations prévues.
- Si vous avez des questions concernant les utilisations prévues, demandez à votre distributeur ou contactez Briggs & Stratton.
- Ne faites fonctionner le générateur que sur des surfaces horizontales.
- Des débits d'air de refroidissement et d'aération adéquats sont nécessaires au bon fonctionnement de la génératrice.
- Lorsque l'unité est en marche, il faut que les portes de l'orifice de remplissage d'huile et d'accès au tableau de commande soient installées.
- N'exposez pas le générateur à une humidité excessive, à de la poussière, à de la saleté ou à des vapeurs corrosives.
- En dépit de la conception sécuritaire du groupe électrogène, le fait d'opérer l'équipement de façon imprudente, de ne pas l'entretenir ou d'être négligent peut causer des blessures et la mort.
- NE démarrez JAMAIS le moteur lorsque la base du filtre à air est retirée.
- N'insérez aucun objet dans les fentes de refroidissement.
- N'utilisez pas la génératrice ni aucune partie de celle-ci comme palier. Le fait de marcher sur l'unité peut causer des contraintes et briser des pièces. Cela peut résulter en des conditions de fonctionnement dangereuses à cause d'une fuite de gaz d'échappement, de combustible, d'huile, etc.
- Si les appareils branchés sont en surchauffe, éteignez-les et débranchez-les du générateur.
- Arrêtez le générateur si :
 - la puissance électrique est inexistante;
 - l'équipement produit des étincelles, de la fumée ou des flammes;
 - l'unité vibre excessivement.

Installation

Nous sommes vraiment reconnaissants de vous compter parmi nos clients. Pour cette raison, la société Briggs & Stratton a tout fait pour fournir un produit dont l'installation soit sécuritaire, facile et économique. Comme chaque installation est unique, il est impossible de connaître et de recommander une marche à suivre présentant toutes les méthodes et consignes d'installation possibles. Briggs et Stratton ignore également les dangers et/ou les résultats potentiels de chaque méthode ou procédure. C'est pourquoi,

Seuls des entrepreneurs en électricité et en plomberie qualifiés devraient procéder à l'installation des groupes électrogènes. Toute installation doit être conforme à tous codes de sécurité applicables, ainsi qu'aux normes et à la réglementation de l'industrie.

Votre groupe électrogène Briggs & Stratton est livré avec le présent "Manuel d'Utilisation", ainsi qu'un "Guide d'Installation" séparé. Ces deux documents sont importants; après avoir complété l'installation, l'acheteur doit les conserver.

Au Propriétaire Résidentiel:

Afin de vous aider à faire des choix avisés et à communiquer efficacement avec l'entrepreneur qui procédera à l'installation,

Veillez lire avec soin la section Conseils au propriétaire dans le présent guide avant de contracter un entrepreneur ou de commencer l'installation de votre groupe électrogène.

Pour assurer une installation adéquate, veuillez contacter le magasin qui vous a vendu votre groupe électrogène Briggs & Stratton, votre détaillant ou votre fournisseur de services d'électricité.

Si l'installation du groupe électrogène n'est pas effectuée par des professionnels certifiés en électricité et en plomberie, la garantie sera ANNULÉE.

Nous garantissons que le dispositif antipollution de cette génératrice répond aux normes établies par le U.S. Environmental Protection Agency et le California Air Resources Board (CARB).

Au Détaillant ou à l'Entrepreneur Procédant à l'Installation:

Le guide d'installation renferme tous les renseignements nécessaires à l'installation adéquate ainsi qu'au démarrage du groupe électrogène pour la plupart des usages. Le présent Manuel d'utilisation décrit les procédures de sélection des circuits essentiels, de fonctionnement normal et d'entretien par le propriétaire.

Si vous avez besoin de renseignements supplémentaires, veuillez appeler au (800) 743-4115 de 8 h à 17 h HNC.

Conseils au propriétaire

La présente section présente au propriétaire du groupe électrogène les renseignements dont il aura besoin pour que l'installation du groupe électrogène soit la plus satisfaisante et économique possible.

Les illustrations se rapportent à des cas typiques et ont pour but de vous familiariser avec les différentes options d'installation de votre groupe électrogène dont vous disposez. En comprenant pleinement ces options, vous pourrez bien contrôler les coûts liés à votre installation et assurer votre satisfaction finale ainsi que votre sécurité.

Au moment de négocier avec un installateur professionnel, il faudra tenir compte des facteurs suivants : les codes de sécurité locaux, l'apparence, le niveaux de bruits, les types de carburant et les distances. Souvenez-vous que plus grandes sont les distances entre le groupe électrogène et le service électrique existant ainsi que l'alimentation en combustible gazeux, plus il faudra faire des compensations dans les matériaux de tuyauterie et le câblage. Ces modifications sont nécessaires pour vous conformer aux codes de sécurité locaux et pour surmonter les chutes de tension et les baisses de pression du combustible gazeux.

Les facteurs mentionnés ci-dessus auront une incidence directe sur le prix total de l'installation de votre groupe électrogène.

REMARQUE: Dans certaines régions, vous devrez vous procurer un permis de travail d'électricité pour installer le groupe électrogène, un permis de construction pour l'installation des canalisations de gaz, ainsi qu'un permis relatif au bruit. Votre installateur est tenu de vérifier les codes locaux ET d'obtenir les permis requis avant de procéder à l'installation du système.

Facteurs Relatifs au Combustible

Le type de combustible utilisé par votre groupe électrogène aura une incidence importante sur l'ensemble de l'installation. Le système a été testé en usine et réglé avec soit du gaz naturel ou du propane liquide (vapeur de PL). Pour que le moteur fonctionne correctement, les facteurs inhérents à chacun de ces combustibles, votre emplacement et la durée possible des interruptions de courant doivent être pris en compte lorsque vous suivez les lignes directrices suivantes sur le combustible :

- Utilisez un combustible propre et sec, libre de toute humidité ou de dépôts. L'utilisation de combustible à l'extérieur des plages de valeurs recommandées pourrait causer des problèmes de performance.
- Pour les moteur réglés sur l'utilisation du gaz de pétrole liquéfié (GPL), le propane commercial de classe HD5, ayant une énergie combustible minimum de 2500 Btu/pi³ à teneur maximum de 5% de propylène et de butane et de 2,5% de gaz plus lourds et une teneur minimum en propane de 90%, convient.

⚠ AVERTISSEMENT	
	Le gaz propane et le gaz naturel sont extrêmement inflammables et explosifs.
	Le feu ou l'explosion risque de provoquer des blessures graves, pouvant être fatales.
<ul style="list-style-type: none"> • Cet équipement est muni d'un robinet de sécurité pour la fermeture automatique des gaz. • N'opérez pas l'équipement si le robinet de fermeture du combustible est manquant ou ne fonctionne pas. 	

Baisse de Puissance à Haute Altitude ou à Température élevée

La densité de l'air étant moindre en haute altitude, la puissance du moteur est donc réduite. En fait, la puissance du moteur sera réduite de 3,5% pour chaque 1000 pieds (300 mètres) au-dessus du niveau de la mer, et de 1% pour chaque 10° F (5,6°C) au-dessus de 77°F (25°C). Votre installateur et vous-même devriez vous assurer de tenir compte de ces facteurs au moment de déterminer la charge totale de la génératrice.

Emplacement de la Génératrice


L'emplacement physique réel de votre génératrice de secours a une incidence directe sur:

1. La quantité de tuyauterie nécessaire pour l'alimentation en combustible de votre génératrice.
2. La quantité de câblage nécessaire pour commander et brancher votre génératrice.

REMARQUE: Le Guide d'installation présente des consignes particulières relatives au choix de l'emplacement de la génératrice. Familiarisez-vous avec celles-ci et discutez-en avec votre installateur. N'oubliez pas de demander à l'installateur si votre choix d'emplacement est conforme aux normes et aux codes locaux et de quelle façon celui-ci influe sur les coûts d'installation.

Dégagement Autour de la Génératrice

La génératrice doit être installée à l'extérieur. N'installez PAS la génératrice dans un endroit où les gaz d'échappement pourraient s'accumuler et pénétrer ou être aspirés dans un édifice qui pourrait être occupé. Assurez-vous que les gaz d'échappement ne puissent entrer par une fenêtre, une porte, une prise d'aération ou une autre ouverture qui pourrait leur permettre de s'accumuler dans un espace restreint. Tenez aussi compte des vents dominants et des courants d'air au moment de choisir l'endroit où vous installerez la génératrice. Consultez le Manuel d'installation pour connaître les détails d'un emplacement sécuritaire pour la génératrice.

⚠ AVERTISSEMENT	
	La chaleur et les gaz d'échappement peuvent enflammer des matériaux combustibles et les structures ainsi que causer un incendie.
<ul style="list-style-type: none"> • N'installez PAS la génératrice à moins de 1,5 m (5 pi) de tous matériaux combustibles ou structures comportant des murs combustibles dont le degré de résistance au feu est de moins d'une heure. 	

Circuits Essentiels

À titre de propriétaire du groupe électrogène, il importe que vous identifiez clairement les circuits "essentiels" de votre édifice. Votre groupe électrogène est muni d'un commutateur de transfert automatique.

Il est important que votre installateur comprenne quels circuits vous souhaitez inclure parmi vos "Circuits Essentiels". Selon la quantité d'énergie consommée par ces circuits, la plupart de ceux-ci ou tous, peuvent être commutés vers le groupe électrogène pour la durée d'une panne de courant normale.

Le tableau de référence de puissance ci-dessous vous aidera à prendre votre décision. Celui-ci indique la puissance utilisée par plusieurs appareils électroménagers courants. Utilisez ce tableau comme guide au moment de choisir vos circuits essentiels. Révissez ces renseignements avec votre installateur et posez-lui toutes vos questions techniques qui pourraient avoir une incidence sur le coût de votre installation.

	Appareil	Watts utilisés
<input type="checkbox"/>	Conditionneur d'air (12 000 Btu)*	1 700
<input type="checkbox"/>	Conditionneur d'air (24 000 Btu)*	3 800
<input type="checkbox"/>	Conditionneur d'air (40 000 Btu)*	6 000
<input type="checkbox"/>	Chargeur de batterie (20 ampères)	500
<input type="checkbox"/>	Scie circulaire (6,5 po) (16,5 cm)	800 à 1 000
<input type="checkbox"/>	Sècheuse (électrique)*	5 750
<input type="checkbox"/>	Sècheuse (gaz)*	700
<input type="checkbox"/>	Lessiveuse*	1 150
<input type="checkbox"/>	Cafetière	1 750
<input type="checkbox"/>	Compresseur (1 HP)*	2 000
<input type="checkbox"/>	Compresseur (1/2 HP)*	1 400
<input type="checkbox"/>	Compresseur (3/4 HP)*	1 800
<input type="checkbox"/>	Fer à friser	700
<input type="checkbox"/>	Déshumidificateur*	650
<input type="checkbox"/>	Couverture électrique	400
<input type="checkbox"/>	Cuisinière électrique (par élément)	1 500
<input type="checkbox"/>	Poêle électrique	1 250
<input type="checkbox"/>	Congélateur*	700
<input type="checkbox"/>	Ventilateur de fournaise (3/5 HP)*	875
<input type="checkbox"/>	Ouvre-porte de garage*	500 à 750
<input type="checkbox"/>	Séchoir à cheveux	1 200
<input type="checkbox"/>	Perceuse à main	250 à 1 100
<input type="checkbox"/>	Fer à repasser	1 200
<input type="checkbox"/>	Pompe aspirante*	800
<input type="checkbox"/>	Ampoule électrique	100
<input type="checkbox"/>	Four à micro-ondes	700 à 1 000
<input type="checkbox"/>	Refroidisseur à lait*	1 100
<input type="checkbox"/>	Brûleur à mazout pour fournaise	300
<input type="checkbox"/>	Radio	50 à 200
<input type="checkbox"/>	Réfrigérateur	700
<input type="checkbox"/>	Mijoteuse	200
<input type="checkbox"/>	Pompe submersible (1 HP)*	2 000
<input type="checkbox"/>	Pompe submersible (1/2 HP)*	1 500
<input type="checkbox"/>	Pompe submersible (1 1/2 HP)*	2 800
<input type="checkbox"/>	Pompe de puisard*	800 à 1 050
<input type="checkbox"/>	Scie d'établi (10 po)*	1 750 à 2 000
<input type="checkbox"/>	Téléviseur	200 à 500
<input type="checkbox"/>	Grille-pain	1 000 à 1 650
*Allouez trois (3) fois le nombre de watts pour le démarrage des appareils		

Sélection des Circuits Essentiels

Lors de la sélection des circuits essentiels qui seront commutés vers l'alimentation de secours, il importe que la charge totale combinée de ces circuits ne dépasse pas la capacité de puissance ou d'intensité du courant de la génératrice. Veuillez tenir compte des points suivants dans la sélection des circuits essentiels:

- Additionnez la puissance totale de tous les appareils qui seront branchés en même temps. Ce total **NE** doit **PAS** dépasser la capacité de puissance de la génératrice.

La puissance nominale des lampes est indiquée sur les ampoules. La puissance nominale des outils électriques, des appareils électroménagers et des moteurs est habituellement indiquée sur les plaques ou les décalques apposés sur les appareils.

- Si la plaque signalétique d'un appareil électroménager, d'un outil ou d'un moteur n'indique pas la puissance, multipliez la valeur en volts par la valeur de l'intensité pour déterminer la valeur en watts (volts x ampères = watts).

Certains moteurs électriques (les moteurs à induction) nécessitent environ trois fois plus de watts de puissance au démarrage que lorsqu'ils sont en marche. Cette surtension ne dure que quelques secondes. Lors de la sélection des appareils électriques qui seront alimentés par le groupe électrogène, assurez-vous d'allouer suffisamment de puissance pour combler cette puissance de démarrage élevée.

- Calculez le nombre de watts nécessaires au démarrage du plus gros moteur.
- Ajoutez le résultat au nombre de watts total de toutes les autres charges branchées.

Le groupe électrogène de Briggs & Stratton est conforme à la "puissance nominale de réserve stationnaire" suivante:

La puissance nominale de réserve s'applique à la fourniture d'électricité d'urgence pour la durée normale d'une panne de courant. Cette puissance n'inclut aucune capacité de surcharge permanente.

Cette puissance nominale s'applique aux installations desservies par un service électrique normalement fiable. Cette puissance ne s'applique qu'aux charges variables avec facteur de charge moyen de 80 % de la puissance de réserve. La puissance de réserve ne s'applique qu'à l'alimentation de réserve optionnelle là où la génératrice sert de source d'énergie de réserve normale.

Utilisez le Guide de référence de puissance fourni, et indiquez les circuits que vous considérez "critiques" ou "essentiels". L'installateur et vous-même devez vous assurer de tenir compte de l'altitude au-dessus du niveau de la mer et de la plage de température ambiante lors de la détermination de la charge totale de la génératrice.

IMPORTANT: Lors d'une panne d'électricité, vous devez « gérer » la distribution de puissance en coupant l'alimentation des charges non essentielles. Voici des exemples de charges non essentielles :

- Pompe de piscine
- Spa
- Chauffe-spa et/ou piscine électriques
- Climatiseurs centraux
- Chauffe-eau électriques
- Cuisinière et/ou four électrique
- Soudeuse à l'arc
- Chauffages électriques non essentiels

Vérification de la Livraison

Après avoir enlevé le carton, examinez avec soin les éléments de la génératrice pour tout dommage subi durant l'expédition.

IMPORTANT: Au moment de la livraison, si vous remarquez des dommages ou des pièces manquantes, demandez au livreur de noter tous les dommages sur la facture de fret et d'apposer sa signature dans l'espace réservé à cet effet. Après la livraison, si vous remarquez des pièces manquantes ou des dommages, mettez les pièces endommagées de côté et communiquez avec le transporteur pour connaître les procédures de réclamation. Les pièces manquantes ou endommagées ne sont pas garanties.

Le Groupe électrogène est livré avec les éléments suivants:

- Génératrice résidentielle
- Système de refroidissement viabilisé
- Système de lubrification viabilisé
- Raccord de combustible flexible classé UL569/CSA8.3
- Guide d'installation et de démarrage
- Manuel d'utilisation
- Manuel d'utilisation du moteur
- Liste de vérification d'installation
- Deux clés pour la porte d'accès
- Un fusible de rechange de 15 A
- Connecteur de tableau de commande à 10 pôles
- Trousse du voyant DEL à distance (DEL rouge/plaque/vis)

Articles non fournis :

- Batterie de démarrage de 650 ADF (ET NON une batterie à décharge poussée)
- Fil et conduit de connexion
- Vannes/plomberie d'alimentation en combustible

Outils/équipements spécialisés nécessaires

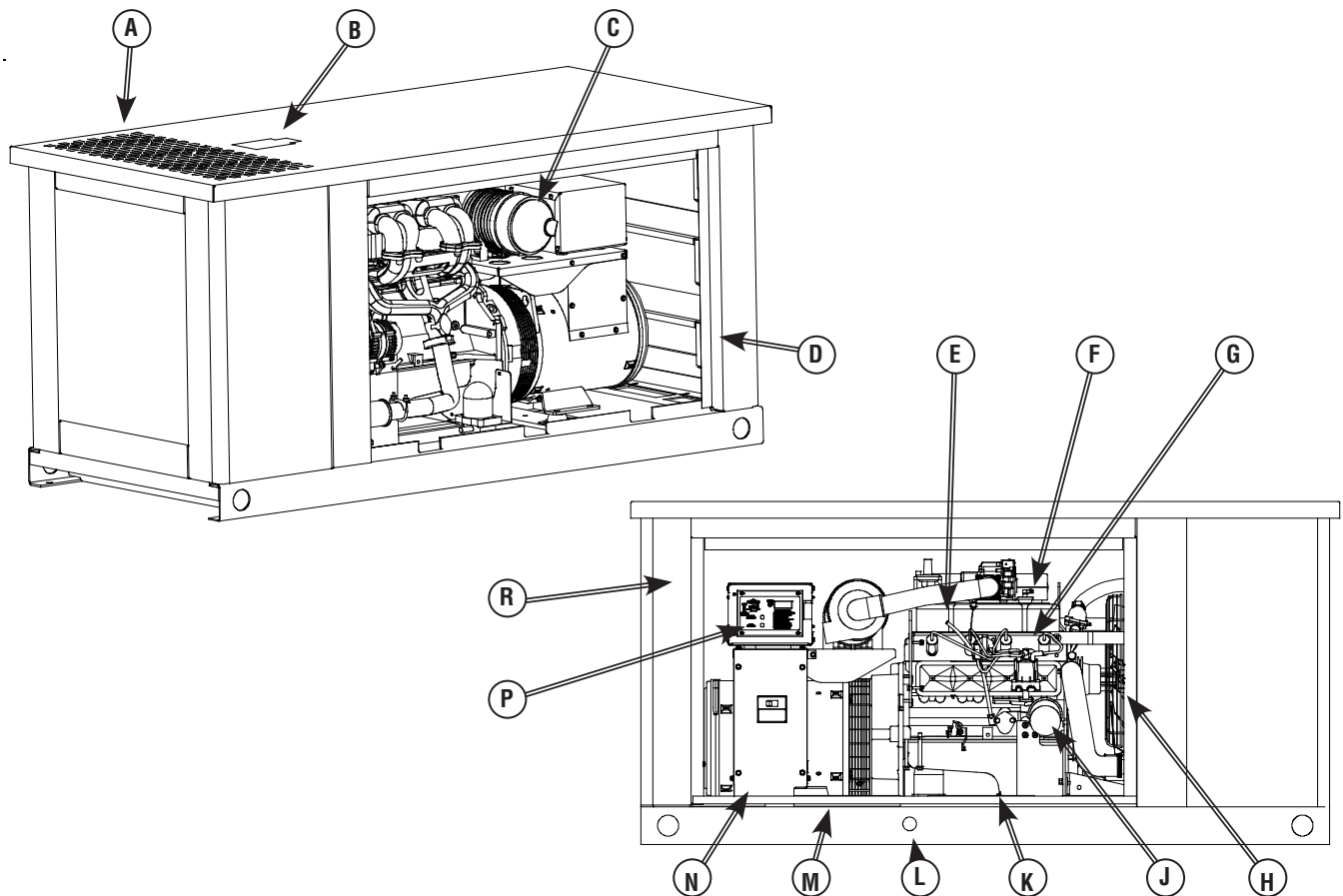
- Divers outils/équipements spécialisés

Fonctions et commandes



Lire ce manuel de l'utilisateur et les **régles de sécurité** avant de faire marcher votre générateur.

Comparez les illustrations avec votre générateur pour vous familiariser avec l'emplacement des diverses commandes et réglages. **Gardez ce manuel pour le consulter plus tard.**



Commandes

La génératrice est illustrée sans les portes d'accès afin de mieux la voir.

A - Orifice d'échappement - Silencieux haute performance qui réduit le bruit du moteur afin de se conformer à la plupart des codes en milieu résidentiel.

B - Porte de remplissage du liquide de refroidissement - Permet d'accéder au moteur pour l'entretien.

C - Filtre à air - Utilise un élément de filtre du type sec et un pré-filtre en mousse pour limiter le montant de saleté et de poussières entrant dans le moteur.

D - Porte de Batterie - Permet l'accès à la batterie de démarrage et au filtre à air.

E - Jauge d'huile - Utilisée pour vérifier le niveau d'huile du moteur.

F - Bouchon de remplissage d'huile - Enlevez-le pour effectuer l'entretien du moteur avec le type d'huile recommandé.

G - Plaque du moteur - Identifie le modèle ainsi que le type de moteur.

H - Bouteille de récupération du liquide de refroidissement - procure une indication visuelle du niveau de liquide de refroidissement du moteur.

J - Filtre à l'huile - Filtre l'huile du moteur afin d'en prolonger la durée de vie utile.

K - Porte de vidange d'huile - Fourni afin de faciliter les changements d'huile.

L - Orifice d'admission du combustible - C'est ici qu'est branché le tuyau d'alimentation en combustible.

M - Décalque apposé sur l'unité (situé sur la base) - Identifie l'unité par son numéro de série.

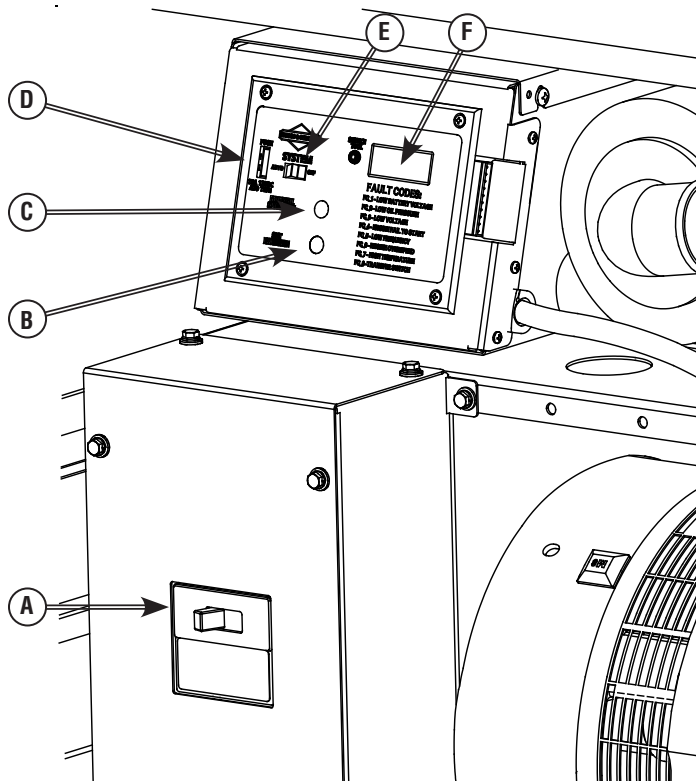
N - Boîtier de disjoncteur - Muni d'un panneau inférieur amovible facilitant le raccordement de conduits.

P - Tableau de commande - Utilisé pour diverses fonctions d'essai, de fonctionnement et d'entretien. Voir *Tableau de commande de système* à la page suivante.

R - Porte d'accès du tableau de commande - Permet d'accéder au tableau de commande.

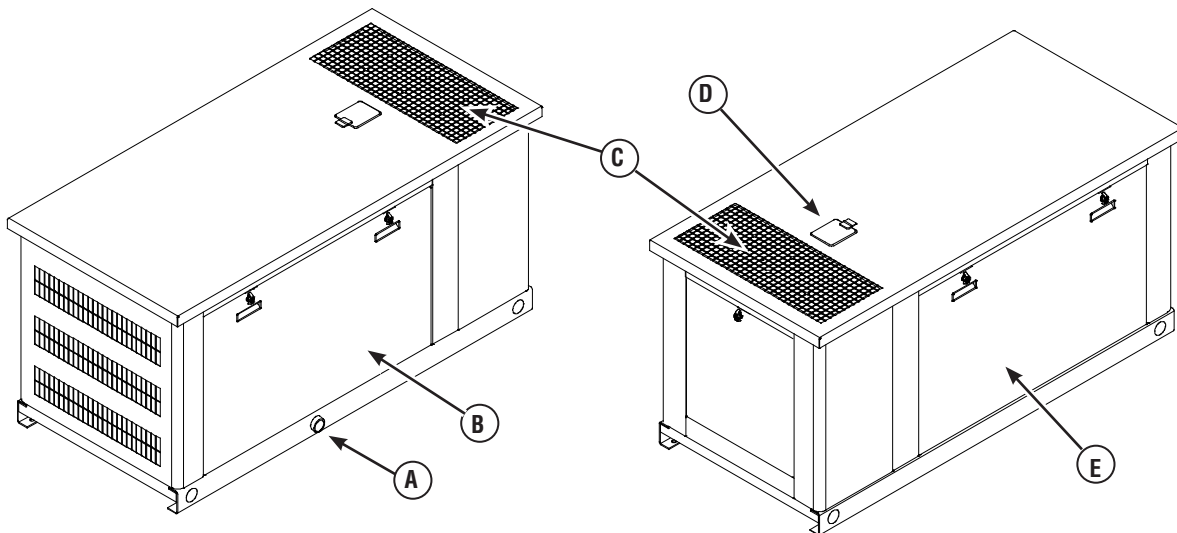
Tableau de commande de système

Comparez la présente illustration au tableau de commande de votre génératrice afin de vous familiariser avec l'emplacement des importantes commandes suivantes:



Commandes

- A - Coupe-Circuits** - Protège le système contre les courts-circuits et autres conditions de surintensité. Celui-ci doit être en position ON pour alimenter le commutateur de transfert automatique.
- B - Bouton de réglage du cycle d'exercice** - Utilisé pour régler le jour et l'heure du début du cycle d'exercice. Le cycle d'exercice ne s'exécute qu'en mode AUTO.
- C - Bouton de surpassement manuel** - Lorsque l'interrupteur de système est à la position AUTO, appuyez sur l'interrupteur de surpassement manuel pour démarrer la génératrice. Appuyez de nouveau sur l'interrupteur de surpassement manuel pour éteindre la génératrice.
- D - Fusible de 15 ampères** - Protège les circuits de commande C.C. du groupe électrogène. Si le fusible est grillé (fondu et ouvert) ou a été enlevé, le moteur ne peut être lancé ou démarré. Remplacez le fusible grillé uniquement par un fusible ATO identique de 15 A.
- E - Interrupteur de système** - Ce dispositif à deux positions est la commande la plus importante du système et s'utilise comme suit:
- La position normale de fonctionnement est la position "AUTO". Si une panne d'électricité est détectée, le système démarrera la génératrice. Lorsque l'électricité est rétablie, laissez le moteur stabiliser les températures internes, fermez la génératrice et attendez la prochaine panne d'électricité.
 - La position "OFF" ferme la génératrice quand elle fonctionne, ce qui empêche l'unité de démarrer et de remettre à zéro toute détection de panne.
- F - Affichage numérique** - Affiche le nombre total d'heures de fonctionnement de la génératrice et les codes de défaillance. Utilisé pour planifier les tâches d'entretien et le dépannage des problèmes de fonctionnement du groupe électrogène résidentiel. Toutes les conditions de panne sont décrites dans la section *Système de détection des défaillances*.



Portes d'Accès

Le groupe électrogène est muni d'un boîtier possédant trois portes d'accès, tel que montré ci-dessus. Chaque porte est identifiée par un élément important qui se trouve derrière celle-ci, comme suit :

- A Orifice d'admission de combustible (illustré pour référence)
- B Porte d'accès au tableau de commande
- C Orifice d'échappement (illustré pour référence)
- D Porte de liquide de refroidissement
- E Porte de batterie

AVERTISSEMENT



Tout contact avec la zone du silencieux peut causer des brûlures graves.

- NE touchez PAS aux pièces chaudes et évitez le contact avec les gaz d'échappement.
- Laissez l'équipement refroidir avant de le toucher.

Le boîtier comprend également des panneaux d'accès au silencieux et au radiateur permettant le nettoyage de ces pièces. Ces panneaux doivent demeurer fermés à tout autre moment.

Chaque groupe électrogène résidentiel est muni de deux clés identiques. Ces clés s'adaptent aux serrures qui verrouillent les portes d'accès.

Pour ouvrir une porte d'accès :

1. Insérez une des clés dans la serrure de la porte d'accès que vous souhaitez ouvrir et tournez la clé d'un quart de tour dans le sens antihoraire.
2. Saisissez la poignée de la porte et tournez-la d'un quart de tour dans le sens antihoraire pour l'ouvrir. Retirez la clé.

Pour fermer une porte d'accès :

1. Fermez la porte et tournez la poignée de la porte d'un quart de tour dans le sens horaire.
2. Insérez une des clés dans la serrure de la porte d'accès et tournez la clé d'un quart de tour dans le sens horaire. Retirez la clé.

REMARQUE: Lorsque l'unité est en marche, il faut que les portes de remplissage du liquide de refroidissement ainsi que les portes d'accès à la batterie et au tableau de commande soient installées.

Fonctionnement

Considérations importantes pour le propriétaire

Huile à Moteur

Le moteur a été rempli avec l'huile recommandée avant son expédition de l'usine. Avant de démarrer le moteur, vérifiez le niveau d'huile et assurez-vous que le moteur a subi l'entretien décrit dans le manuel d'Moteur. Consultez *Huile à Moteur* de la section *Entretien*.

AVIS

Toute tentative de démarrer le moteur avant qu'il ait été rempli avec l'huile et le liquide de refroidissement recommandés entraînera une panne de l'équipement.

- Consultez la section *Entretien* des manuels d'utilisation et du moteur au sujet du remplissage du liquide de refroidissement et de l'huile.
- La garantie sera annulée si des dommages à l'équipement sont entraînés par le manquement à se conformer à cette directive.

Ce moteur a été testé en usine et est livré rempli d'huile non synthétique (API SL 10W-30W). Cela permet au système de fonctionner dans une plage élargie de températures et de conditions climatiques. Avant de démarrer le moteur, vérifiez le niveau d'huile et assurez-vous que le moteur a subi l'entretien décrit dans le Manuel d'utilisation du moteur.

Système de refroidissement

Ce moteur a été testé en usine et est livré rempli d'un mélange équilibré (50-50) d'antigel automobile (Dex-Cool™ orange) et d'eau. Cela procure, durant toute l'année, une protection optimale contre le gel, l'ébullition et la corrosion. Le système de refroidissement comprend un chauffe-eau qui fonctionne lorsque la température ambiante est inférieure à 80 °F (27 °C) ET lorsque l'électricité est branchée au commutateur de transfert. Avant de démarrer le moteur, vérifiez le niveau de liquide de refroidissement comme décrit dans le Manuel d'utilisation du moteur.

Batterie

L'installateur doit fournir une batterie de démarrage rechargeable scellée de 12 volts C.C., de 650 ampères de démarrage à froid (ADF) et de 55 ampères-heures. Il se peut que la batterie ne soit pas complètement chargée à l'installation. Si la tension de la batterie est inférieure à 12 volts, rechargez celle-ci. Consultez la rubrique Batterie de la section Entretien pour de plus amples détails.

REMARQUE: N'utilisez PAS de batterie à décharge poussée.

Fusible de 15 ampères

Le fusible de 15 A de la génératrice a été retiré à l'usine afin d'empêcher l'unité de démarrer durant le transport. Votre installateur s'assurera que le fusible est correctement remis en place après l'installation de la génératrice.

Fonctionnement automatique

Pour actionner le fonctionnement automatique, suivez la procédure décrite ci-dessous :

1. Confirmez qu'un fusible de 15 A est installé dans le tableau de commande.
2. Réglez à **ON** le disjoncteur principal du panneau de distribution qui alimente la tension de service vers le commutateur de transfert.
3. Réglez le disjoncteur principal de la génératrice en position **ON**.
4. Réglez l'interrupteur de système du tableau de commande à **AUTO**.

ATTENTION



Avec l'interrupteur en position AUTO, le moteur peut se lancer et démarrer en tout temps sans avertissement. Un tel démarrage automatique se produit normalement lorsque la tension de l'alimentation de service baisse en deçà d'un niveau préétabli ou au moment du cycle d'exercice normal.

- Pour éviter toute blessure qui pourrait résulter d'un démarrage soudain, réglez toujours l'interrupteur de système à **OFF** avant d'effectuer l'entretien du système.
- Enlevez le fusible de 15 Ampères, avant de travailler sur ou autour de la génératrice ou du commutateur de transfert.

Vérification du Fonctionnement Automatique

Vérification du fonctionnement automatique

Pour vérifier si le fonctionnement automatique du système est adéquat, procédez comme suit :

1. Mettez hors tension le disjoncteur principal du panneau de distribution qui alimente le commutateur de transfert automatique.

Lorsqu'il y aura baisse de tension et que le temps imparti du capteur sera écoulé, le moteur sera lancé et démarrera. Laissez le système effectuer la totalité de sa séquence de fonctionnement automatique.

2. Pendant que la génératrice alimente ses charges, mettez sous tension le disjoncteur principal du panneau de distribution qui alimente le commutateur de transfert automatique.

3. L'interrupteur de transfert automatique transférera les charges à l'alimentation de service après 5 minutes de fonctionnement minimal et du rétablissement de l'électricité.
4. La génératrice fonctionnera une minute de plus pour refroidir le moteur, puis s'arrêtera.

REMARQUE : Si l'électricité est rétablie et que la génératrice ne s'arrête pas après 10 minutes, réglez l'interrupteur du système à **OFF** et appelez votre installateur ou votre centre de service local.

Cela met fin aux procédures d'essais du fonctionnement automatique. La génératrice résidentielle démarrera automatiquement et alimentera le commutateur de transfert en cas de panne électrique.

Réglage de la Minuterie du Cycle d'Exercice

Le groupe électrogène est muni d'une minuterie de cycle d'exercice qui se met en marche et vérifie le système une fois par semaine. Au cours de ce cycle d'exercice, l'unité fonctionne durant une douzaine de 20 minutes, puis s'arrête. Le transfert de charge électrique N'A PAS lieu durant le cycle d'exercice (sauf si une panne de courant survient).

Un bouton du tableau de commande est étiqueté « Set Exercice » (voir *Tableau de commande du système*). Le jour et l'heure particuliers auxquels ce bouton est pressé sont programmés dans la mémoire du tableau de commande. Ce jour et cette heure sont alors utilisés pour initialiser automatiquement le cycle d'exercice du système. La légende « SET EXERCISE » du tableau de commande clignote jusqu'à ce que le cycle d'exercice soit réglé.

Pour exécuter la procédure de réglage du cycle d'exercice:

1. Choisissez le jour et l'heure à laquelle vous désirez que le cycle d'exercice du groupe électrogène ait lieu.
2. À cette journée et heure, appuyez et maintenez enfoncé l'interrupteur "Set Exercice" pendant trois secondes.

REMARQUE : La DEL clignote jusqu'à ce que l'interrupteur soit maintenu enfoncé pendant trois secondes, puis la DEL s'allume pendant 5 secondes et s'éteint.

3. L'unité s'amorcera puis entreprendra son cycle d'exercice de 20 minutes.

Par exemple, si vous appuyez sur le bouton de réglage du cycle d'exercice le dimanche à 10 h, l'unité exécutera immédiatement un cycle d'exercice puis fera de même tous les dimanches à 10 h (+/- ½ heure).

REMARQUE: Le réglage du cycle d'exercice ne fonctionnera que si l'unité est en mode AUTO et que si la procédure exacte est suivie. Vous devrez reprogrammer le cycle d'exercice si vous enlevez ou remplacez le fusible de 15 A ou si la batterie de 12 volts C.C. est débranchée.

Si vous voulez changer le jour et l'heure du cycle d'exercice, vous n'avez qu'à exécuter à nouveau la procédure de "Réglage de Cycle d'Exercice" le jour et à l'heure exacte à laquelle vous voulez que le cycle d'exercice ait lieu.

Entretien

Arrêt du Système

Pour entretenir le groupe électrogène :

1. Retirez le fusible de 15 A du panneau de commande.
2. Réglez l'interrupteur de système du tableau de commande à **OFF**.
3. Il y a de la tension de service. Débranchez l'alimentation avant d'effectuer l'entretien en retirant les deux fusibles de 10 ampères du commutateur de transfert.

Système de Détection des Pannes

La génératrice fonctionnera sans doute sur de longues périodes sans la présence d'un opérateur. C'est pourquoi le système est muni de capteurs qui arrêtent automatiquement la génératrice lorsque surviennent des problèmes potentiels, tels une faible pression de l'huile, une température élevée, l'emballement du moteur, et d'autres conditions.

Le tableau de commande de la génératrice est doté d'un affichage numérique qui indique des codes de défaillance, par exemple « FC_1 ». Le tableau ci-dessous indique les défaillances détectées, le code de défaillance tel qu'il est affiché sur le tableau de commande ainsi que le nombre de clignotements observés sur le voyant DEL à distance.

Description du Problème	Code de défaillance	Nombre de clignotements du voyant
Faible tension de la batterie	FC_1	1
Faible pression d'huile	FC_2	2
Basse tension	FC_3	3
Le moteur ne démarre pas	FC_4	4
Fréquence basse	FC_5	5
Emballement du moteur	FC_6	6
Température élevée	FC_7	7
Défaillance du commutateur de transfert	FC_8	8

Le voyant DEL à distance est posé à l'intérieur, dans un endroit pratique. La DEL reste allumée lorsque la génératrice est en mode AUTO. Si une défaillance du système est décelée, la DEL s'allumera et s'éteindra dans une série de clignotements correspondant à la défaillance. Une série de clignotements se répète avec de brèves pauses entre chaque série de clignotements.

Fonctionnement

Entretien

Réarmement du Système de Détection des Pannes

L'opérateur doit réarmer le système de détection des pannes chaque fois que celui-ci est activé. Pour ce faire, placez l'interrupteur de système du tableau de commande en position **OFF** durant au moins 30 secondes. Après avoir corrigé le problème, remettez le groupe électrogène en service en plaçant l'interrupteur de système en position **AUTO**.

Voici une description de chaque panne, ainsi que des suggestions pour les résoudre:

Aucun DEL - Batterie déchargée

Si une défaillance est détectée, mais que la DEL ne clignote pas, cela signifie que la batterie est complètement déchargée. Pour remédier à ce problème, enlevez le fusible de 15 ampères et débranchez la batterie de la génératrice. Apportez la batterie chez un fournisseur local pour fins d'analyse. Lorsque la batterie est entièrement rechargée, remplacez-la dans son compartiment en vous assurant de brancher le câble NÉGATIF en dernier lieu. Installez ensuite le fusible de 15 ampères dans le tableau de commande.

REMARQUE : Alors que la batterie est installée, que tous les câbles reliant le commutateur de transfert et le groupe électrogène sont branchés, que l'électricité de service est fournie au commutateur de transfert automatique et que l'unité est en mode AUTO, la batterie reçoit une charge à faible débit si le moteur n'est pas en marche. La charge à faible débit ne peut recharger une batterie complètement à plat. Consultez *Batterie* de la section *Entretien*.

Faible Tension de la Batterie (FC_1)

Cette défaillance est indiquée par le code de défaillance FC_1 et un clignotement sur le voyant DEL. Cette situation se produit si la génératrice ne peut démarrer parce que la puissance de la batterie est inférieure au minimum requis pour lancer le moteur. Ce problème peut être causé par une batterie défectueuse ou par une panne du circuit de charge à faible débit.

Pour régler le problème, appelez votre centre de service local pour vérifier la puissance de la charge à faible débit de la batterie. Ôtez le fusible de 15 ampères et débranchez la batterie de la génératrice. Amenez la batterie chez un fournisseur local pour fins d'analyse.

Lorsque la batterie est entièrement rechargée, remplacez-la dans son compartiment en vous assurant de brancher le câble de retour en dernier lieu. Installez le fusible de 15 ampères.

Faible Pression d'Huile (FC_2)

Cette défaillance est indiquée par le code de défaillance FC_2 et deux clignotements sur le voyant DEL à distance. L'unité est munie d'un manocontact d'huile utilisant des contacts normalement fermés qui sont maintenus ouverts par la pression de l'huile du moteur lorsque celui-ci est en marche. Si la pression d'huile baisse sous les 8 lb/po², les manocontacts se referment et le moteur s'arrête.

Pour régler un problème de faible pression d'huile, ajoutez l'huile recommandée jusqu'à la marque FULL de la jauge d'huile.

Si la pression d'huile est toujours faible, le moteur démarrera pour ensuite s'arrêter à nouveau. Le code de défaillance apparaîtra, et la DEL clignotera. Le cas échéant, contactez un détaillant autorisé de Briggs & Stratton.

Basse Tension (FC_3)

Cette défaillance est indiquée par le code de défaillance FC_3 et trois clignotement sur le voyant DEL. Une telle panne est causée par une restriction du débit de combustible, un fil de signal cassé ou débranché, une panne d'enroulement de l'alternateur, l'ouverture du coupe-circuits du tableau de commande ou parce que le groupe électrogène est surchargé.

Pour régler ce problème, appelez votre centre de service local.

Le Moteur Ne Démarre Pas (FC_4)

Cette défaillance est indiquée par le code de défaillance FC_4 et quatre clignotement sur le voyant DEL. Cette caractéristique du système empêche la génératrice de s'infliger des dommages en tentant continuellement de démarrer en dépit de la présence d'un autre problème, comme par exemple un manque de combustible. Chaque fois que le système reçoit le signal de démarrage, l'unité se lance durant 10 secondes, fait une pause de 10 secondes, se lance durant 10 secondes, fait un pause de 10 secondes, et ainsi de suite. Si, après environ 2 minutes, le système ne commence pas à produire de l'électricité, l'unité s'arrête et le voyant clignote.

Assurez-vous que le disjoncteur principal de la génératrice est à la position **ON** (fermé) de sorte que les électrodes à capteur vérifient le fonctionnement de l'appareil.

La source la plus probable de ce problème est le manque de combustible. Vérifiez si les valves de fermeture interne et externe du combustible sont entièrement ouvertes. D'autres causes par une défectuosité de l'un des composants du moteur. Si vous n'êtes pas en mesure de résoudre ces problèmes, demandez l'aide de votre installateur. Une fois le problème corrigé, réarmez le système de détection des pannes, tel que décrit ci-dessus.

Basse Fréquence (FC_5)

Cette défaillance est indiquée par le code de défaillance FC_5 et cinq clignotements sur le voyant DEL. Cette caractéristique protège les appareils branchés au commutateur de transfert en arrêtant la génératrice si le régime du moteur est inférieur à 55 Hz pendant trois secondes. Ce problème est causé par une défectuosité de l'un des composants du moteur ou par des charges excessives sur la génératrice. Pour régler ce problème, communiquez avec votre installateur ou un détaillant autorisé de Briggs & Stratton.

Emballlement du Moteur (FC_6)

Cette défaillance est indiquée par le code de défaillance FC_6 et six clignotement sur le voyant DEL. Cette caractéristique protège les appareils branchés au commutateur de transfert des circuits essentiels en arrêtant la génératrice si le régime du moteur est plus rapide que la limite préétablie. Le problème d'emballement est détecté comme suit :

- Si la fréquence de sortie de la génératrice est 65-70 Hz, après trois secondes, la génératrice s'arrête.
- Si la fréquence de sortie de la génératrice est plus grand que 70 Hz, la génératrice s'arrête instantanément.

Ce problème est causé par une défektivité du régulateur de régime. Pour y remédier, vous devrez obtenir l'aide de votre installateur ou du service technique de Briggs & Stratton. Une fois le problème corrigé, réarmez le système de détection des pannes, tel qu'indiqué ci-dessus.

Température élevée (FC_7)

Cette défaillance est indiquée par le code de défaillance FC_7 et sept clignotements sur le voyant DEL. Les thermocontacts du liquide de refroidissement sont normalement ouverts. Si la température du liquide de refroidissement dépasse approximativement 115,5°C (240°F), le problème est détecté, et le moteur s'arrête.

Les causes habituelles de cette avarie incluent le fonctionnement de l'unité avec les portes d'accès enlevées, l'obstruction de l'entrée d'air ou de l'orifice d'échappement, la faiblesse du niveau d'huile ou de liquide de refroidissement ou la présence de débris dans le compartiment ou le radiateur du moteur.

Pour résoudre ce problème, enlevez toute accumulation de débris ainsi que toute obstruction, et laissez refroidir le moteur. Lorsque l'unité est en marche, assurez-vous que les portes de l'orifice de remplissage d'huile et d'accès du tableau de commande sont installées.

Défaillance du Commutateur de Transfert (FC_8)

Cette défaillance est indiquée par le code de défaillance FC_8 et huit clignotements sur le voyant DEL (lorsque le commutateur de transfert est doté de la détection de défaillance).

Pour régler ce problème, vous devez demander l'aide de l'installateur ou de votre centre de service local.

Entretien du Générateur

La garantie de la génératrice ne couvre pas les éléments soumis à l'abus ou à la négligence de l'opérateur. Pour obtenir la pleine application de la garantie, il faut que l'opérateur maintienne le système conformément aux instructions du manuel d'utilisation du moteur.

Il faut effectuer tous les réglages au moins une fois par saison. Respectez les exigences présentées dans le manuel d'utilisation.

L'entretien du générateur consiste à le garder propre et sec. Faire marcher et remiser l'appareil dans un environnement propre et sec où celui-là ne sera pas exposé à trop de poussière, de saleté, d'humidité ou à des vapeurs corrosives. Les fentes de refroidissement par air du générateur ne doivent pas être bouchées par de la neige, des feuilles ou tout autre corps étranger.

Vérifiez souvent la propreté de l'appareil et nettoyez ce dernier lorsque de la poussière, des saletés, de l'huile, de l'humidité ou d'autres substances étrangères sont visibles sur sa surface extérieure.

REMARQUE: Nous NE RECOMMANDONS PAS d'utiliser un tuyau d'arrosage pour nettoyer le générateur. L'eau peut entrer dans le moteur et causer des problèmes.

Entretien du moteur

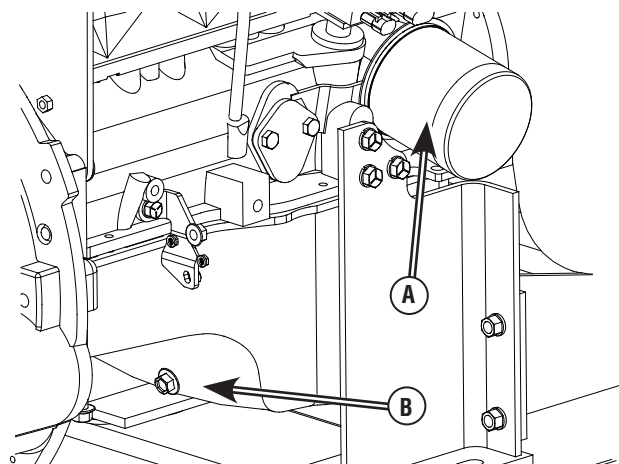
Un manuel d'utilisation du moteur est compris avec ce système. Consultez-le pour obtenir des renseignements sur l'entretien du moteur. Cependant, le refroidissement et la lubrification appropriés du moteur font ici l'objet d'une mention spéciale vu leur grande importance.

l'Huile Moteur

Le système est rempli avec l'huile non synthétique recommandée (API SL 10W-30W). Cela permet au système de fonctionner dans une plage élargie de températures et de conditions climatiques.

REMARQUE : Consultez le manuel d'utilisation du moteur et suivez les recommandations relatives au type d'huile et aux intervalles de changement d'huile.

La figure présente ici l'emplacement du purgeur d'huile (B) et le filtre à huile (A).



Entretien

1. Débranchez la borne négative de la batterie.
2. Changez l'huile lorsque le moteur est encore chaud, comme décrit dans le manuel d'utilisation du moteur.

Pour rendre l'ajout d'huile plus commode, nous recommandons de fixer un entonnoir à un tube suffisamment long pour joindre la porte de remplissage de liquide de refroidissement et la porte de remplissage d'huile sur le couvercle de soupape du moteur.

Français

fr

Système de refroidissement du moteur

Lorsque le moteur est froid, vérifiez que le niveau de liquide de refroidissement dans le réservoir correspond à celui inscrit derrière la porte d'accès du tableau de commande. Les directives d'entretien du système de refroidissement se trouvent dans le manuel d'utilisation du moteur.

Batterie

Rechargez la Batterie

Si vous devez faire charge de la batterie, procédez comme suit:

1. Réglez l'interrupteur de système de la génératrice sur **OFF**.
2. Retirez le fusible de 15 ampères du panneau électrique.
3. À l'aide de la quincaillerie fournie, débranchez le fil noir de la batterie au terminal négative de la batterie (identifié par **NEGATIVE, NEG** ou (-)).
4. Rechargez la batterie avec le chargeur de batterie à 2 ampères jusqu'à obtention de la tension de 12 volts.

⚠ AVERTISSEMENT



Les batteries d'accumulateur produisent du gaz hydrogène explosif lorsqu'elles se rechargent. La plus petite étincelle enflammera l'hydrogène et provoquera une explosion.



Le liquide d'électrolyte de l'accumulateur contient de l'acide et est extrêmement caustique.



Le contact avec le liquide de l'accumulateur provoquera de graves brûlures chimiques. Toute batterie présente un risque de choc électrique et de courant de court-circuit élevé.

- Portez des lunettes de protection, un tablier et des gants en caoutchouc.

REMARQUE : Alors que la batterie est installée, que tous les câbles reliant le commutateur de transfert et le groupe électrogène sont branchés, que l'électricité de service est fournie au commutateur de transfert automatique et que l'unité est en mode AUTO, la batterie reçoit une charge à faible débit si le moteur n'est pas en marche. Par une charge à faible débit, une batterie à plat peut prendre jusqu'à 72 heures pour se recharger complètement. Le chargeur à faible débit ne peut être utilisé pour recharger une batterie complètement à plat.

5. À l'aide de la quincaillerie fournie, branchez le fil noir de la batterie au terminal négative de la batterie (identifié par **NEGATIVE, NEG** ou (-)).
6. Assurez-vous que la quincaillerie des terminaux positif et de retour de la batterie sont fixés solidement.
7. Installez le fusible de 15 A dans le panneau électrique.
8. Réglez l'interrupteur de système de la génératrice sur **AUTO**.
9. Réinitialisez la minuterie du cycle d'exercice. Voir *Réglage de la minuterie du cycle d'exercice*.

Entretien de la Batterie

Si vous devez faire l'entretien de la batterie, procédez comme suit:

1. Réglez l'interrupteur de système de la génératrice sur **OFF**.
2. Retirez le fusible de 15 ampères du panneau électrique.
3. Le service ou remplace la batterie comme exigé.
4. À l'aide de la quincaillerie fournie, branchez le fil rouge de la batterie au terminal positif de la batterie (identifié par **POSITIVE, POS** ou (+)).
5. À l'aide de la quincaillerie fournie, branchez le fil noir de la batterie au terminal négative de la batterie (identifié par **NEGATIVE, NEG** ou (-)).
6. Assurez-vous que la quincaillerie des terminaux positif et de retour de la batterie sont fixés solidement.
7. Installez le fusible de 15 A dans le panneau électrique.
8. Réglez l'interrupteur de système de la génératrice sur **AUTO**.
9. Réinitialisez la minuterie du cycle d'exercice. Voir *Réglage de la minuterie du cycle d'exercice*.

Pour Nettoyer le Générateur

- Se servir d'un chiffon humide pour essuyer et nettoyer les surfaces extérieures.
- Une brosse douce à poils soyeux peut être utilisée pour dégager la saleté, l'huile durcie.
- Un aspirateur peut être utilisé pour ramasser la saleté et les débris qui ne sont pas collés.
- On peut se servir d'air comprimé à basse pression (pas plus de 25 psi) pour enlever la saleté. Inspectez les fentes d'air de refroidissement et les ouvertures sur le générateur. Ces ouvertures doivent rester propres et non bouchées.

Communications avec le Fabricant

Si vous devez communiquer avec le service technique de la société Briggs & Stratton pour l'entretien ou la réparation de cette unité, ayez en main les renseignements suivants:

1. Notez le numéro de modèle ainsi que le numéro de série de l'unité qui sont indiqués sur l'étiquette apposée sur l'unité. Voir Commandes au sujet de l'emplacement de l'étiquette ou consulter les renseignements apparaissant sur la deuxième de couverture du manuel d'installation.
2. Notez les numéros d'identification du moteur indiqués sur la plaque apposée au moteur. Consultez le manuel d'utilisation du moteur pour savoir où trouver ces renseignements. Veuillez noter que plusieurs autres

groupes électrogènes sont décrits dans ce manuel. Il est donc possible que votre unité diffère de celle illustrée dans le présent document.

Remisage

La génératrice résidentielle Briggs & Stratton est conçue pour produire une alimentation de secours à long terme. Ainsi, vous n'avez nul besoin de prendre des mesures relatives à l'entreposage. Toutefois, s'il devient nécessaire de désactiver le système durant une période prolongée, appelez le service technique de Briggs & Stratton au (800) 743-4115, entre 8 h et 17 h HNC, pour obtenir des recommandations spécifiques. Veuillez consulter le manuel d'utilisation du moteur pour de plus amples renseignements.

Dépannage

Problème	Cause	Solution
Le moteur fonctionne, mais il n'y a aucune sortie de C.A.	<ol style="list-style-type: none"> 1. Disjoncteur ouvert ou défectueux. 2. Défaillance dans la génératrice. 3. Raccords du câblage mal effectués ou commutateur de transfert défectueux. 	<ol style="list-style-type: none"> 1. Réarmez ou remplacez le disjoncteur. 2. Contactez le centre d'entretien Briggs & Stratton. 3. Vérifiez et réparez.
Le moteur tourne bien sans charge mais connaît des ratés lorsque les charges sont branchées.	<ol style="list-style-type: none"> 1. Court-circuit dans une des charges branchées. 2. Surcharge de la génératrice. 3. Court-circuit sur un circuit de la génératrice. 4. La pression de combustible est incorrecte. 5. Le mélange de combustible (NG) est incorrecte. 	<ol style="list-style-type: none"> 1. Débranchez la charge électrique ayant un court-circuit. 2. Voir <i>Circuits Essentiels</i>. 3. Contactez le centre d'entretien Briggs & Stratton. 4. Consultez la section <i>Système de combustible gazeux</i> du guide d'installation. 5. Consultez la section <i>Système de combustible gazeux</i> du guide d'installation.
Le moteur ne démarre pas, ou il démarre et a des ratés.	<ol style="list-style-type: none"> 1. Fusible de 15 Ampères manquant ou grillé. 2. Panne de combustible. 3. Batterie défectueuse. 	<ol style="list-style-type: none"> 1. Installez un fusible (neuf) de 15 Ampères. 2. Ouvrez la(les) vanne(s) de combustible; vérifiez le réservoir de gaz propane. 3. Remplacez la batterie.
Le moteur s'arrête lorsqu'il est en marche.	<ol style="list-style-type: none"> 1. Panne de combustible. 2. Le voyant de panne clignote. 	<ol style="list-style-type: none"> 1. Vérifiez les vannes de combustible; remplissez le réservoir de gaz propane. 2. Comptez le nombre de clignotements et référez-vous à <i>Système de Détection des Pannes</i>.
Perte de puissance sur les circuits essentiels.	<ol style="list-style-type: none"> 1. Disjoncteur ouvert sur la génératrice. 2. Problèmes de commutateur de transfert. 	<ol style="list-style-type: none"> 1. Réarmez le disjoncteur. 2. Voir le manuel du commutateur de transfert

Entretien

Dépannage

GARANTIE DU PROPRIÉTAIRE D'UNE GÉNÉRATRICE DE SECOURS DE BRIGGS & STRATTON HOME POWER PRODUCTS GROUP, LLC

À partir du 1er janvier 2008, la présente garantie remplace toute garantie non datée et toute garantie dont la date est antérieure au 1er janvier 2008.

GARANTIE LIMITÉE

Briggs & Stratton Power Products Group, LLC réparera ou remplacera, sans frais, toutes pièces d'équipement défectueuses comportant un vice de matériau ou un défaut de fabrication ou les deux. Les frais de déplacement seront remboursés tel que spécifié dans le document Directives reliés à la garantie de Briggs and Stratton, aux détaillants autorisés Briggs & Stratton pour les travaux de réparation couvertes par la garantie. La présente garantie sera en vigueur aux conditions et durant les périodes stipulées ci-dessous. Pour obtenir des services en vertu de la garantie, veuillez consulter notre Outil de recherche d'un Service après-vente agréé au BRIGGSandSTRATTON.COM, afin de trouver un distributeur de service après-vente agréé dans votre région.

IL N'EXISTE AUCUNE AUTRE GARANTIE EXPRESSE. LES GARANTIES IMPLICITES, INCLUANT CELLES DE QUALITÉ MARCHANDE ET D'APTITUDE À UN USAGE PARTICULIER, SONT LIMITÉES À UN AN DE LA DATE D'ACHAT OU ENCORE JUSQU'À LA LIMITE PERMISE PAR LA LOI. TOUTE GARANTIE IMPLICITE EST EXCLUE. LA RESPONSABILITÉ POUR DOMMAGES ACCESSOIRES OU INDIRECTS EST EXCLUE DANS LA MESURE OÙ UNE TELLE EXCLUSION EST PERMISE PAR LA LOI. Certains états/provinces ou pays n'autorisent aucune restriction sur la durée d'une garantie implicite, et certains états/provinces ou pays n'autorisent pas l'exclusion ou la limitation des dommages consécutifs ou indirects. Par conséquent, les restrictions et exclusions décrites ci-dessus pourraient ne pas s'appliquer dans votre cas. La présente garantie vous accorde des droits légaux spécifiques et vous pourriez également en avoir d'autres, qui peuvent varier d'un état ou d'une province à l'autre et d'un pays à l'autre.

PÉRIODE DE GARANTIE

Usage par un consommateur :	4 ans ou 2 000 heures, le premier des deux prévalant
Usage à des fins commerciales :	2 ans ou 1 000 heures, le premier des deux prévalant. Couverture complète la première année; couverture de l'alternateur et du moteur seulement la deuxième année
Usage à des fins de location :	Aucune

La période de garantie débute à la date d'achat par le premier acheteur au détail ou par le premier utilisateur commercial final, et se prolonge pour la durée stipulée ci-dessus. « Usage par un consommateur » signifie une utilisation domestique personnelle dans une résidence, par l'acheteur au détail. « Usage à des fins commerciales » signifie toute autre utilisation, y compris l'utilisation à des fins commerciales ou de génération de revenus. « Usage à des fins de location » signifie toute utilisation de ce produit pour une application de location d'une installation temporaire ou semi-permanente. Aux fins de la présente garantie, dès qu'un équipement a été utilisé commercialement ou à des fins de location une fois, il est par la suite considéré comme étant d'usage à des fins commerciales ou de location.

POUR EXERCER LA GARANTIE SUR TOUT PRODUIT FABRIQUÉ PAR BRIGGS & STRATTON, IL N'EST PAS NÉCESSAIRE DE L'ENREGISTRER. CONSERVEZ LE REÇU COMME PREUVE D'ACHAT. SI, LORS D'UNE RÉCLAMATION DE GARANTIE, VOUS NE POUVEZ PROUVER LA DATE DE L'ACHAT INITIAL, NOUS UTILISERONS LA DATE DE FABRICATION DU PRODUIT COMME DATE DE RÉFÉRENCE POUR DÉTERMINER LA PÉRIODE DE GARANTIE.

À PROPOS DE LA GARANTIE

Nous acceptons de faire effectuer les réparations couvertes par la garantie et tenons à nous excuser pour tout inconvénient subi. Tout distributeur d'un service après-vente agréé peut exécuter les réparations couvertes par la garantie. La plupart des réparations couvertes par la garantie sont traitées systématiquement; cependant, il arrive parfois que les demandes de service en vertu de la garantie soient non fondées. Par exemple, la garantie ne couvre pas les dommages causés à l'équipement par une utilisation abusive, par un manque d'entretien périodique, durant l'expédition, la manutention ou l'entreposage, ou en raison d'une installation inadéquate. De même, la garantie sera annulée si la date de fabrication ou les numéros de série apposés à l'équipement ont été enlevés ou si l'équipement a été changé ou modifié. Durant la période de garantie, le distributeur de service après-vente agréé réparera ou remplacera, à son gré, toute pièce qui, après examen, est trouvée défectueuse à la suite d'une utilisation et d'un entretien normaux. La présente garantie ne couvre pas les réparations et les équipements suivants :

- **Usure normale** : Comme tout autre dispositif mécanique, les groupes électrogènes d'extérieur et les moteurs nécessitent l'entretien périodique de certaines pièces pour fonctionner adéquatement. La présente garantie ne couvre pas les frais de réparation des pièces ou des équipements dont la durée de vie utile a été dépassée à la suite d'une utilisation normale.
- **Installation et entretien** : La présente garantie ne couvre pas les équipements ou les pièces qui ont fait l'objet d'une installation ou de modifications et de changements inadéquats ou non autorisés, d'une mauvaise utilisation, de négligence, d'un accident, d'une surcharge, d'emballage, d'entretien inadéquat, de réparation ou d'entreposage qui, selon nous, auraient nui à la performance et à la fiabilité du produit.
- **Exclusions** : Veuillez communiquer avec Power Solutions Incorporated au 1-630-350-9400 ou visiter le site www.PSIengines.com au sujet d'éclaircissements reliés aux politiques et aux procédures relatives à la garantie du moteur. IMPCO Technologies est le conservateur du Manufacturer of Record pour toutes les questions de conformité reliées à l'utilisation et à la performance du moteur de la Environmental Protection Agency (EPA).

Les modalités de la garantie se poursuivent à la page suivante.

La présente garantie exclut les pièces qui s'usent telles que les huiles à moteur, les jauges d'huile, les joints toriques, les filtres, les fusibles et les bougies, les antigels, les batteries de démarrage, etc., ou tout dommage ou tout mauvais fonctionnement résultant d'un accident, d'une utilisation abusive, de modifications, de changements ou d'un entretien inadéquat du système, du gel ou d'une détérioration chimique. Les pièces accessoires ne sont pas couvertes par la garantie du produit. Cette garantie exclut toute défaillance due à une catastrophe naturelle ou à toute autre force majeure hors du contrôle du fabricant. Est aussi exclu tout équipement usé, remis à neuf ou de démonstration, tout équipement utilisé pour l'alimentation principale en remplacement de l'alimentation de service et tout équipement utilisé pour l'alimentation d'appareils de maintien des fonctions vitales.

Exclusions supplémentaires :

1. Tous les coûts reliés aux réglages, aux raccords ou attaches desserrés ou non étanches, à l'installation ou au démarrage, au nettoyage du système de carburant et son obstruction (causée par l'accumulation de produits chimiques, de saletés, de calamine, de calcaire, etc.) et à toute défaillance causée par du combustible, de l'antigel et/ou des huiles contaminés.
2. Les appareils vendus pour les applications d'alimentation électrique principale tel que défini dans les codes nationaux de l'électricité des États-Unis et du Canada, que l'alimentation de service soit présente ou que l'alimentation de service n'est habituellement pas présente.
3. Toutes les applications d'appareils de location.
4. Toute perte de revenus découlant directement ou indirectement de la défaillance de cet appareil.
5. Les défaillances dues à une cause externe ou une catastrophe naturelle, mais non limités au gel, au vol, à un incendie, à une collision, à une émeute ou une guerre, au vandalisme, à la foudre, à un tremblement de terre, à une tempête de vent, à de la grêle, à une éruption volcanique, à l'eau ou une inondation, à une tornade ou à un ouragan, à des actes terroristes ou à un cataclysme nucléaire.
6. Tous dommages consécutifs ou indirects causés par des défauts de matériel et de fabrication ou de tout délai pour la réparation ou le remplacement des pièces défectueuses.
7. Une défaillance due à des applications inappropriées ou des représentations trompeuses.
8. Les dépenses reliées au téléphone, au satellite, aux télécopies, au téléphone cellulaire, à l'accès Internet ou à d'autres communications.
9. Les dépenses de main-d'oeuvre reliées au travail en temps supplémentaire, pendant les jours fériés ou d'urgence.
10. Tout moyen de transport considéré anormal selon notre jugement tel qu'avions, traversiers, trains, autobus, hélicoptères, motoneiges, tank des neiges, véhicules tout-terrains, etc.
11. Toutes les dépenses encourues pour l'investigation de plaintes reliées à la performance à moins que le matériel ou la fabrication par BSHPP n'aient été la cause directe du problème.
12. Les frais d'expédition pour le jour suivant pour des pièces de remplacement.
13. Tout autre équipement de location utilisé alors que des réparations en vertu de la garantie sont effectuées (à savoir, génératrices, équipement de manutention, etc.)
14. Les blessures corporelles incluant le décès survenant à la suite de la défaillance du produit 204949E, Rév. B, 17/JAN/2008.

**BRIGGS & STRATTON POWER PRODUCTS GROUP, LLC
JEFFERSON, WI, USA**

Groupe électrogène

Caractéristiques du produit

30 kW

Charge Nominale Maximum:

à 120 Volts 250 Ampères
à 240 Volts 125 Ampères
Tension Nominale C.A. 120/240 Volts
Phase Monophasé
Fréquence Nominale 60 Hz
Plage d'Utilisation Normale. -28.8°C (-20°F) to 40°C (104°F)
Niveau de bruit en sortie. 65 dB(A) at 7 m (23 ft.)
à pleine charge
Poids du Système à l'Expédition. 771 kg (1700 lb)

45 kW

Charge Nominale Maximum:

à 120 Volts 375 Ampères
à 240 Volts 187.5 Ampères
Tension Nominale C.A. 120/240 Volts
Phase Monophasé
Fréquence Nominale 60 Hz
Plage d'Utilisation Normale. -28.8°C (-20°F) to 40°C (104°F)
Niveau de bruit en sortie. 65 dB(A) at 7 m (23 ft.)
à pleine charge
Poids du Système à l'Expédition. 941 kg (2075 lb)

Les caractéristiques nominales de cette génératrice sont conformes à la norme 2200 (génératrices à moteur fixe) de UL (Underwriters Laboratories) et à la norme C22.2 No. 100-04 (moteurs et génératrices) de l'ACNOR (Association canadienne de normalisation).



Briggs & Stratton Power Products Group, LLC
900 N. Parkway
Jefferson, Wisconsin, 53549 U.S.A.

Free Manuals Download Website

<http://myh66.com>

<http://usermanuals.us>

<http://www.somanuals.com>

<http://www.4manuals.cc>

<http://www.manual-lib.com>

<http://www.404manual.com>

<http://www.luxmanual.com>

<http://aubethermostatmanual.com>

Golf course search by state

<http://golfingnear.com>

Email search by domain

<http://emailbydomain.com>

Auto manuals search

<http://auto.somanuals.com>

TV manuals search

<http://tv.somanuals.com>