

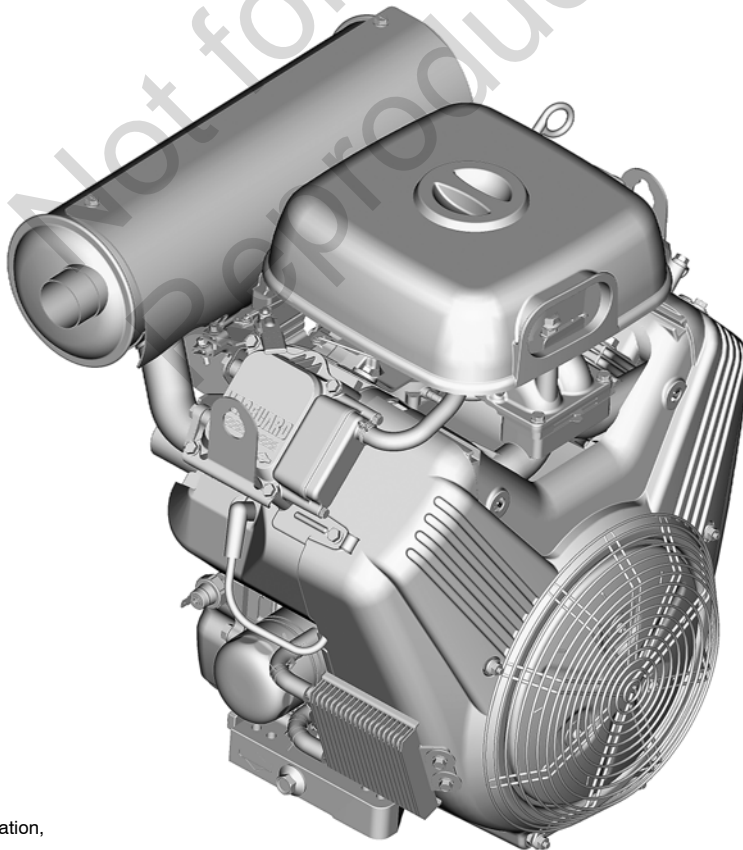


**COMMERCIAL POWER**

- en** *Operator's Manual*
- es** *Manual del Operario*
- fr** *Manuel de l'opérateur*



<b>Model 540000</b>	<b>Vanguard™ Gaseous</b>	<b>Model 610000</b>	<b>Vanguard™ Gaseous</b>
---------------------	------------------------------	---------------------	------------------------------



Copyright © 2013 Briggs & Stratton Corporation, Milwaukee, WI, USA. All rights reserved. Briggs & Stratton is a registered trademark of Briggs & Stratton Corporation.

Form No. 279774TRI  
Revision: F

English

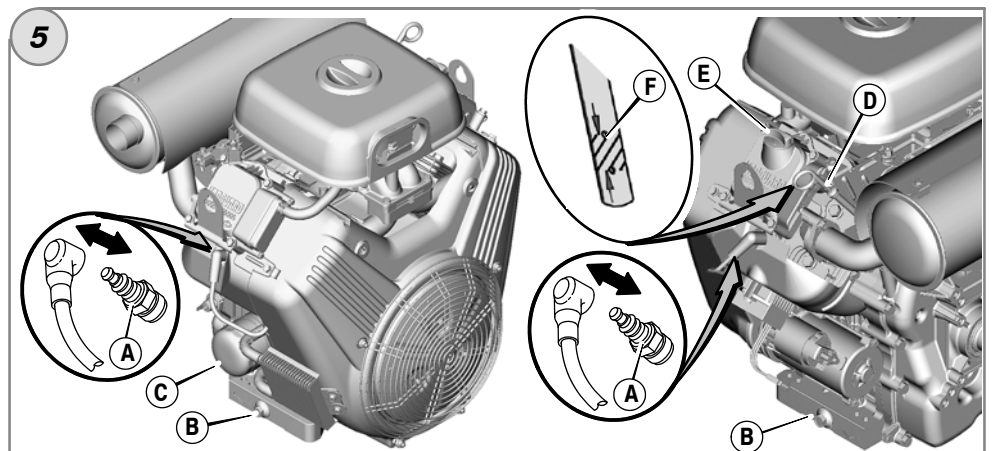
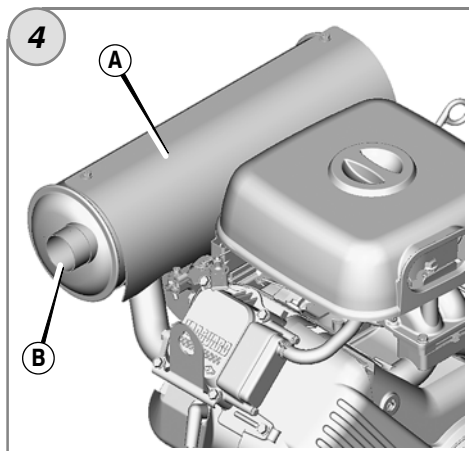
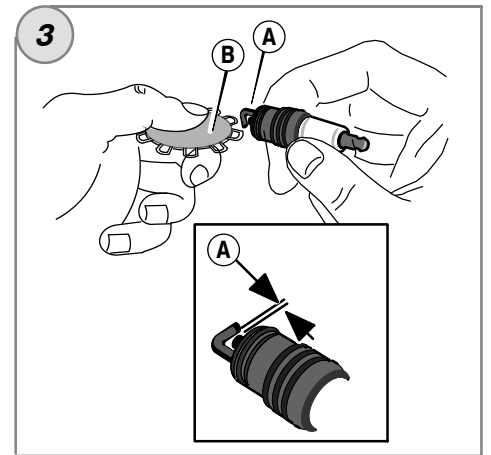
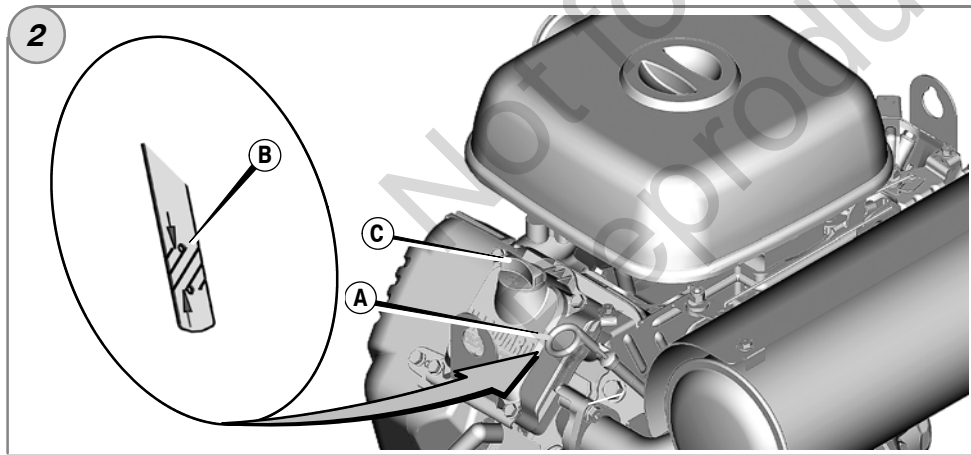
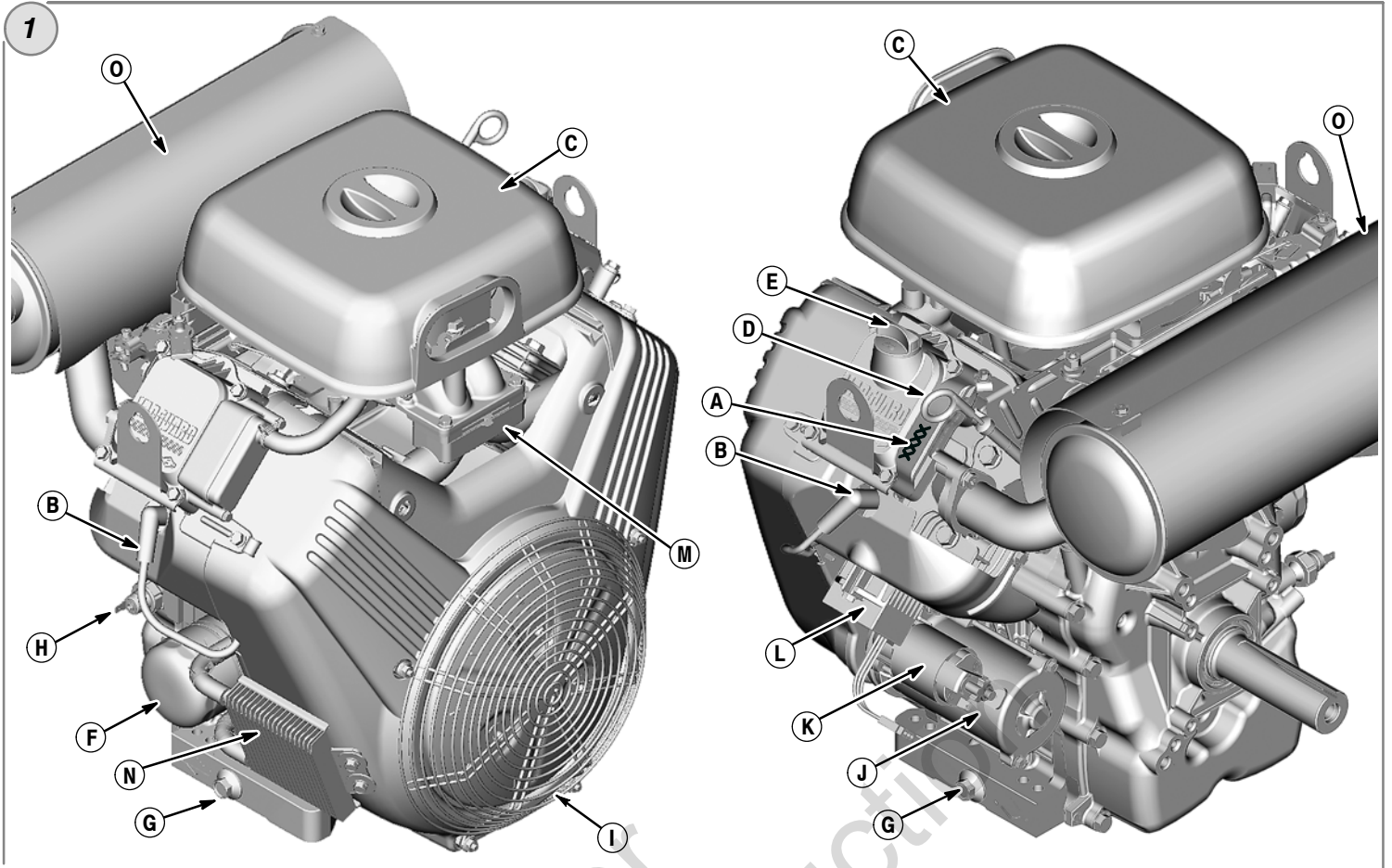
**en**

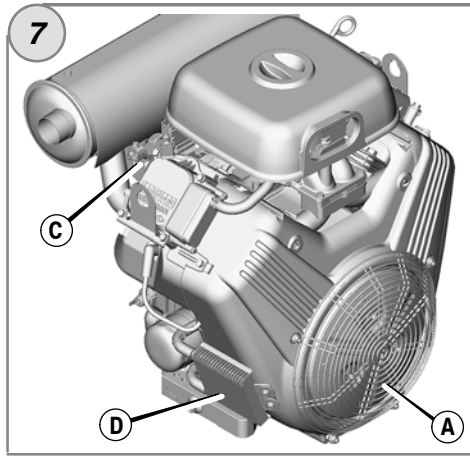
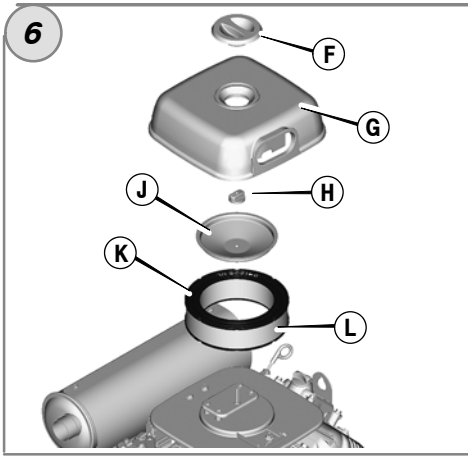
Español

**es**

Français

**fr**





Not for  
Reproduction

## General Information

This manual contains safety information to make you aware of the hazards and risks associated with engines and how to avoid them. It also contains instructions for the proper use and care of the engine. Because Briggs & Stratton Corporation does not necessarily know what equipment this engine will power, it is important that you read and understand these instructions and the instructions for the equipment. **Save these original instructions for future reference.**

For replacement parts or technical assistance, record below the engine model, type, and code numbers along with the date of purchase. These numbers are located on your engine (see the **Features and Controls** page).

**Date of purchase:** \_\_\_\_\_  
MM/DD/YYYY

**Engine model:** \_\_\_\_\_  
Model: Type: Code:


Look for the 2D barcode located on some engines. When viewed with a 2D-capable device, the code will bring up our website where you can access support information for this product. Data rates apply. Some countries may not have online support information available.





## Operator Safety


### SAFETY AND CONTROL SYMBOLS



The safety alert symbol  is used to identify safety information about hazards that can result in personal injury. A signal word (DANGER, WARNING, or CAUTION) is used with the alert symbol to indicate the likelihood and the potential severity of injury. In addition, a hazard symbol may be used to represent the type of hazard.

 **DANGER** indicates a hazard which, if not avoided, **will result in death or serious injury.**

 **WARNING** indicates a hazard which, if not avoided, **could result in death or serious injury.**

 **CAUTION** indicates a hazard which, if not avoided, **could result in minor or moderate injury.**

**NOTICE** indicates a situation that **could result in damage to the product.**



### WARNING

Certain components in this product and its related accessories contain chemicals known to the State of California to cause cancer, birth defects, or other reproductive harm. Wash hands after handling.



### WARNING

The engine exhaust from this product contains chemicals known to the State of California to cause cancer, birth defects, or other reproductive harm.





### WARNING

Briggs & Stratton Engines are not designed for and are not to be used to power: fun-karts; go-karts; children's, recreational, or sport all-terrain vehicles (ATVs); motorbikes; hovercraft; aircraft products; or vehicles used in competitive events not sanctioned by Briggs & Stratton. For information about competitive racing products, see [www.briggsracing.com](http://www.briggsracing.com). For use with utility and side-by-side ATVs, please contact Briggs & Stratton Engine Application Center, 1-866-927-3349. Improper engine application may result in serious injury or death.

**NOTICE:** This engine was shipped from Briggs & Stratton without oil. Before you start the engine, make sure you add oil according to the instructions in this manual. If you start the engine without oil, it will be damaged beyond repair and will not be covered under warranty.



### WARNING

 **Fuel and its vapors are extremely flammable and explosive.**  
 **Fire or explosion can cause severe burns or death.**

#### When Adding Fuel

- Fill fuel tank outdoors or in well-ventilated area.
- Check fuel lines, tank, cap, and fittings frequently for cracks or leaks. Replace if necessary.

#### When Starting Engine

- Ensure that spark plug, muffler, and air cleaner (if equipped) are in place and secured.
- Do not crank engine with spark plug removed.

#### When Operating Equipment

- Never start or run the engine with the air cleaner assembly (if equipped) or the air filter (if equipped) removed.

#### When Transporting Equipment

- On Natural/Liquid Petroleum (LP) Gas engines, transport with fuel cylinder empty or valve closed, or fuel tank disconnected.

#### When Storing Fuel Or Equipment With Fuel In Tank

- Store away from furnaces, stoves, water heaters or other appliances that have pilot lights or other ignition sources because they can ignite fuel vapors.



### WARNING



**Starting engine creates sparking.  
Sparking can ignite nearby flammable gases.  
Explosion and fire could result.**

- If there is natural or LP gas leakage in area, do not start engine.
- Do not use pressurized starting fluids because vapors are flammable.



### WARNING



**POISONOUS GAS HAZARD. Engine exhaust contains carbon monoxide, a poisonous gas that could kill you in minutes. You CANNOT see it, smell it, or taste it. Even if you do not smell exhaust fumes, you could still be exposed to carbon monoxide gas. If you start to feel sick, dizzy, or weak while using this product, shut it off and get to fresh air RIGHT AWAY. See a doctor. You may have carbon monoxide poisoning.**

- Operate this product ONLY outside far away from windows, doors and vents to reduce the risk of carbon monoxide gas from accumulating and potentially being drawn towards occupied spaces.
- Install battery-operated carbon monoxide alarms or plug-in carbon monoxide alarms with battery back-up according to the manufacturer's instructions. Smoke alarms cannot detect carbon monoxide gas.
- DO NOT run this product inside homes, garages, basements, crawlspaces, sheds, or other partially-enclosed spaces even if using fans or opening doors and windows for ventilation. Carbon monoxide can quickly build up in these spaces and can linger for hours, even after this product has shut off.
- ALWAYS place this product downwind and point the engine exhaust away from occupied spaces.



### WARNING



**Rapid retraction of starter cord (kickback) will pull hand and arm toward engine faster than you can let go.  
Broken bones, fractures, bruises or sprains could result.**

- When starting engine, pull the starter cord slowly until resistance is felt and then pull rapidly to avoid kickback.
- Remove all external equipment/engine loads before starting engine.
- Direct-coupled equipment components such as, but not limited to, blades, impellers, pulleys, sprockets, etc., must be securely attached.



### WARNING



**Missing or inoperative "fuel lock-off" valve can cause a fire or explosion.**

- Do not operate the equipment if the "fuel lock-off" valve is missing or inoperative.



### WARNING



**Rotating parts can contact or entangle hands, feet, hair, clothing, or accessories.  
Traumatic amputation or severe laceration can result.**

- Operate equipment with guards in place.
- Keep hands and feet away from rotating parts.
- Tie up long hair and remove jewelry.
- Do not wear loose-fitting clothing, dangling drawstrings or items that could become caught.



### WARNING



**Running engines produce heat. Engine parts, especially muffler, become extremely hot.  
Severe thermal burns can occur on contact.  
Combustible debris, such as leaves, grass, brush, etc. can catch fire.**

- Allow muffler, engine cylinder and fins to cool before touching.
- Remove accumulated debris from muffler area and cylinder area.
- It is a violation of California Public Resource Code, Section 4442, to use or operate the engine on any forest-covered, brush-covered, or grass-covered land unless the exhaust system is equipped with a spark arrester, as defined in Section 4442, maintained in effective working order. Other states or federal jurisdictions may have similar laws. Contact the original equipment manufacturer, retailer, or dealer to obtain a spark arrester designed for the exhaust system installed on this engine.



### WARNING



**Unintentional sparking can result in fire or electric shock.  
Unintentional start-up can result in entanglement, traumatic amputation, or laceration.  
Fire hazard**

#### Before performing adjustments or repairs:

- Disconnect the spark plug wire and keep it away from the spark plug.
- Disconnect battery at negative terminal (only engines with electric start.)
- Use only correct tools.
- Do not tamper with governor spring, links or other parts to increase engine speed.
- Replacement parts must be of the same design and installed in the same position as the original parts. Other parts may not perform as well, may damage the unit, and may result in injury.
- Do not strike the flywheel with a hammer or hard object because the flywheel may later shatter during operation.

#### When testing for spark:

- Use approved spark plug tester.
- Do not check for spark with spark plug removed.



### WARNING



**Gaseous fuels are extremely flammable and readily form explosive air-vapor mixtures at ambient temperatures.**

#### If you smell gas,

- Do not start the engine.
- Do not actuate any electrical switches.
- Do not use a phone in the vicinity.
- Evacuate the area.
- Contact the gas supplier or fire department.



### WARNING



**Wear eye protection when doing repair work.  
Frostbite can result from skin/eye contact with leaking LP liquid.**

- Installation, adjustment and repair work should be done by a qualified technician.
- Regularly check flexible supply line. Make sure they are in good condition. Replace damaged or leaking components.

# Features and Controls

Compare the illustration **1** with your engine to familiarize yourself with the location of various features and controls.

- A. Engine Identification  
**Model Type Code**
- B. Spark Plug
- C. Air Cleaner, Low Profile
- D. Dipstick
- E. Oil Fill
- F. Oil Filter
- G. Oil Drain Plug
- H. Oil Pressure Sensor
- I. Finger Guard / Rotating Screen
- J. Electric Starter
- K. Starter Solenoid
- L. Regulator/Rectifier
- M. LPG/NG Mixer
- N. Oil Cooler
- O. Muffler

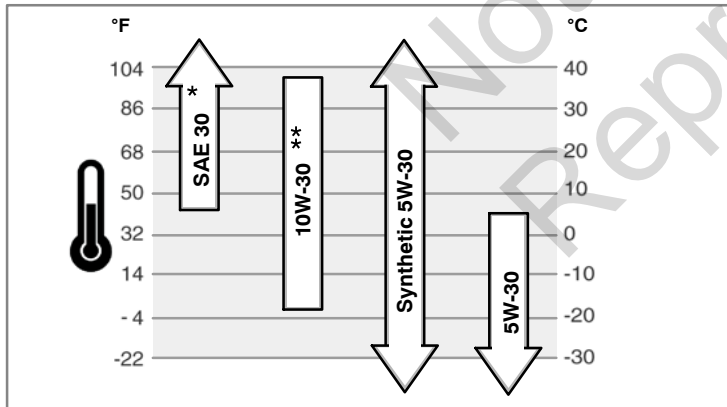
## Operation

Oil capacity (see the **Specifications** section)

### Oil Recommendations

We recommend the use of Briggs & Stratton Warranty Certified oils for best performance. Other high-quality detergent oils are acceptable if classified for service SF, SG, SH, SJ or higher. Do not use special additives.

Outdoor temperatures determine the proper oil viscosity for the engine. Use the chart to select the best viscosity for the outdoor temperature range expected.



\* Below 40°F (4°C) the use of SAE 30 will result in hard starting.

\*\* Above 80°F (27°C) the use of 10W-30 may cause increased oil consumption. Check oil level more frequently.

### How To Check/Add Oil - Figure **2**

**Before adding or checking the oil**

- Place engine level.
  - Clean the oil fill area of any debris.
1. Remove the dipstick (A) and wipe with a clean cloth (Figure 2).
  2. Insert and tighten the dipstick.
  3. Remove the dipstick and check the oil level. It should be at the top of the full indicator (B) on the dipstick.
  4. If low, add oil slowly into the engine oil fill (C). **Do not overfill.** After adding oil, wait one minute and then recheck the oil level.
  5. Replace and tighten the dipstick.

### Low Oil Protection System (if equipped)

Some engines are equipped with a low oil sensor. If the oil is low, the sensor will either activate a warning light or stop the engine. Stop the engine and follow these steps before restarting the engine.

- Make sure the engine is level.
- Check the oil level. See the **How To Check/Add Oil** section.
- If the oil level is low, add the proper amount of oil. Start the engine and make sure the warning light (if equipped) is not activated.
- If the oil level is not low, **do not start** the engine. Contact an Authorized Briggs & Stratton Dealer to have the the oil problem corrected.

### Fuel Recommendations



#### WARNING



Missing or inoperative "fuel lock-off" valve can cause a fire or explosion.



- Do not operate the equipment if the "fuel lock-off" valve is missing or inoperative.

#### Fuel must meet these requirements:

- Use clean, dry fuel, free of moisture or any particulate material. Using fuels outside the following recommended values may cause performance problems.
- In engines set up to run on LPG, commercial grade HD5 LPG is recommended. Recommended fuel composition is fuel with a minimum fuel energy of 2500 BTU's/ft<sup>3</sup> with maximum propylene content of 5% and butane and heavier gas content of 2.5% and minimum propane content of 90%.

NG or LPG engines are certified to operate on natural or liquid propane gas. The emissions control system for this engine is EM (Engine Modifications).



**WARNING:** The equipment on which this engine is mounted is equipped with an automatic safety gas "fuel lock-off" valve. Do not operate the equipment if the "fuel lock-off" valve is missing or inoperative.

### How To Add Fuel



#### WARNING



Fuel and its vapors are extremely flammable and explosive. Fire or explosion can cause severe burns or death.



#### When Adding Fuel

- Fill fuel tank outdoors or in well-ventilated area.
- Check fuel lines, tank, cap, and fittings frequently for cracks or leaks. Replace if necessary.

For information on refueling natural or LP gas engines, read the operating instructions supplied by the equipment manufacturer.

### How To Start And Stop The Engine



#### WARNING



Fuel and its vapors are extremely flammable and explosive. Fire or explosion can cause severe burns or death.



#### When Starting Engine

- Ensure that spark plug, muffler, and air cleaner (if equipped) are in place and secured.
- Do not crank engine with spark plug removed.



## WARNING



**POISONOUS GAS HAZARD.** Engine exhaust contains carbon monoxide, a poisonous gas that could kill you in minutes. You CANNOT see it, smell it, or taste it. Even if you do not smell exhaust fumes, you could still be exposed to carbon monoxide gas. If you start to feel sick, dizzy, or weak while using this product, shut it off and get to fresh air RIGHT AWAY. See a doctor. You may have carbon monoxide poisoning.

- Operate this product ONLY outside far away from windows, doors and vents to reduce the risk of carbon monoxide gas from accumulating and potentially being drawn towards occupied spaces.
- Install battery-operated carbon monoxide alarms or plug-in carbon monoxide alarms with battery back-up according to the manufacturer's instructions. Smoke alarms cannot detect carbon monoxide gas.
- DO NOT run this product inside homes, garages, basements, crawlspaces, sheds, or other partially-enclosed spaces even if using fans or opening doors and windows for ventilation. Carbon monoxide can quickly build up in these spaces and can linger for hours, even after this product has shut off.
- ALWAYS place this product downwind and point the engine exhaust away from occupied spaces.

**NOTICE:** This engine was shipped from Briggs & Stratton without oil. Before you start the engine, make sure you add oil according to the instructions in this manual. If you start the engine without oil, it will be damaged beyond repair and will not be covered under warranty.

For information on starting and stopping the engine, read the operating instructions supplied by the equipment manufacturer.

## Maintenance

We recommend that you see any Briggs & Stratton Authorized Dealer for all maintenance and service of the engine and engine parts.

**NOTICE:** All the components used to build this engine must remain in place for proper operation.

### Emissions Control

**Maintenance, replacement, or repair of the emissions control devices and systems may be performed by any non-road engine repair establishment or individual.** However, to obtain "no charge" emissions control service, the work must be performed by a factory authorized dealer. See the Emissions Warranty.



## WARNING



**Unintentional sparking can result in fire or electric shock.**  
**Unintentional start-up can result in entanglement, traumatic amputation, or laceration.**  
**Fire hazard**

### Before performing adjustments or repairs:

- Disconnect the spark plug wire and keep it away from the spark plug.
- Disconnect battery at negative terminal (only engines with electric start.)
- Use only correct tools.
- Do not tamper with governor spring, links or other parts to increase engine speed.
- Replacement parts must be of the same design and installed in the same position as the original parts. Other parts may not perform as well, may damage the unit, and may result in injury.
- Do not strike the flywheel with a hammer or hard object because the flywheel may later shatter during operation.

### When testing for spark:

- Use approved spark plug tester.
- Do not check for spark with spark plug removed.

## Maintenance Chart

### First 5 Hours

- Change oil

en

### Every 8 Hours or Daily

- Check engine oil level
- Clean area around muffler and controls

### Every 100 Hours or Annually

- Clean or change air filter \* ▲
- Change engine oil and filter
- Replace spark plug
- Check muffler and spark arrester

### Every 250 Hours or Annually

- Check valve clearance. Adjust if necessary.

### Every 400 Hours or Annually

- Change air filter ▲
- Clean air cooling system \*
- Clean oil cooler fins \*

\* In dusty conditions or when airborne debris is present, clean more often.

## How To Replace The Spark Plug - Figure 3

Check the gap (A, Figure 3) with a wire gauge (B). If necessary, reset the gap. Install and tighten the spark plug to the recommended torque. For gap setting or torque, see the **Specifications** section.

**Note:** In some areas, local law requires using a resistor spark plug to suppress ignition signals. If this engine was originally equipped with a resistor spark plug, use the same type for replacement.

## Inspect Muffler And Spark Arrester - Figure 4



## WARNING



**Running engines produce heat. Engine parts, especially muffler, become extremely hot.**

**Severe thermal burns can occur on contact.**

**Combustible debris, such as leaves, grass, brush, etc. can catch fire.**

- Allow muffler, engine cylinder and fins to cool before touching.
- Remove accumulated debris from muffler area and cylinder area.
- It is a violation of California Public Resource Code, Section 4442, to use or operate the engine on any forest-covered, brush-covered, or grass-covered land unless the exhaust system is equipped with a spark arrester, as defined in Section 4442, maintained in effective working order. Other states or federal jurisdictions may have similar laws. Contact the original equipment manufacturer, retailer, or dealer to obtain a spark arrester designed for the exhaust system installed on this engine.

Remove accumulated debris from muffler area and cylinder area. Inspect the muffler (A, Figure 4) for cracks, corrosion, or other damage. Remove the spark arrester (B), if equipped, and inspect for damage or carbon blockage. If damage is found, install replacement parts before operating.



**WARNING:** Replacement parts must be of the same design and installed in the same position as the original parts. Other parts may not perform as well, may damage the unit, and may result in injury.

## How To Change The Oil - Figure 5

Used oil is a hazardous waste product and must be disposed of properly. Do not discard with household waste. Check with your local authorities, service center, or dealer for safe disposal/recycling facilities.

### Remove Oil

1. With engine off but still warm, disconnect the spark plug wire (A) and keep it away from the spark plug (Figure 5).
2. Remove the oil drain plug (B). Drain the oil into an approved container.
3. After the oil has drained, install and tighten the oil drain plug.

### Change The Oil Filter

All models are equipped with an oil filter. For replacement intervals, see the **Maintenance** chart.

1. Drain the oil from the engine. See **Remove Oil** section.
2. Remove the oil filter (C, Figure 5) and dispose of properly.
3. Before you install the new oil filter, lightly lubricate the oil filter gasket with fresh, clean oil.
4. Install the oil filter by hand until the gasket contacts the oil filter adapter, then tighten the oil filter 1/2 to 3/4 turns.
5. Add oil. See **Add Oil** section.
6. Start and run the engine. As the engine warms up, check for oil leaks.
7. Stop the engine and check the oil level. It should be at the top of the full indicator (F) on the dipstick.

## Add Oil

- Place engine level.
  - Clean the oil fill area of any debris.
  - See the **Specifications** section for oil capacity.
- Remove the dipstick (D, Figure 5) and wipe with a clean cloth.
  - Pour the oil slowly into the engine oil fill (E). **Do not overfill.** After adding oil, wait one minute and then check the oil level.
  - Install and tighten the dipstick.
  - Remove the dipstick and check the oil level. It should be at the top of the full indicator (F) on the dipstick.
  - Install and tighten the dipstick.

## How To Service The Air Filter - Figure 6



### WARNING



**Fuel and its vapors are extremely flammable and explosive.  
Fire or explosion can cause severe burns or death.**

- Never start or run the engine with the air cleaner assembly (if equipped) or the air filter (if equipped) removed.

**NOTICE:** Do not use pressurized air or solvents to clean the filter. Pressurized air can damage the filter and solvents will dissolve the filter.

### Low-Profile Air Filter System (Figure 6)

- Remove the knob (F) and the cover (G). See Figure 6.
- Remove the nut (H) and the retainer (J).
- Remove the air filter (K).
- Remove the pre-cleaner (L), if equipped, from the air filter.
- To loosen debris, gently tap the air filter on a hard surface. If the air filter is excessively dirty, replace with a new air filter.
- Wash the pre-cleaner in liquid detergent and water. Then allow it to thoroughly air dry. **Do not** oil the pre-cleaner.
- Assemble the dry pre-cleaner to the air filter.
- Install the air filter and secure with retainer and nut.
- Install the cover and secure with knob.

## How To Clean The Air Cooling System - Figure 7



### WARNING



**Running engines produce heat. Engine parts, especially muffler, become extremely hot.**



**Severe thermal burns can occur on contact.**

**Combustible debris, such as leaves, grass, brush, etc. can catch fire.**

- Allow muffler, engine cylinder and fins to cool before touching.
- Remove accumulated debris from muffler area and cylinder area.

**NOTICE:** Do not use water to clean the engine. Water could contaminate the fuel system. Use a brush or dry cloth to clean the engine.

This is an air cooled engine. Dirt or debris can restrict air flow and cause the engine to overheat, resulting in poor performance and reduced engine life.

Use a brush or dry cloth to remove debris from the finger guard/rotating screen (A, Figure 7). Keep linkage, springs and controls clean. Keep the area around and behind the muffler (C) free of any combustible debris. Make sure that the oil cooler fins (D) are free of dirt and debris.

## Storage



### WARNING



**Fuel and its vapors are extremely flammable and explosive.  
Fire or explosion can cause severe burns or death.**

### When Storing Fuel Or Equipment With Fuel In Tank

- Store away from furnaces, stoves, water heaters or other appliances that have pilot lights or other ignition sources because they can ignite fuel vapors.

## Engine Oil

While the engine is still warm, change the engine oil.

## Troubleshooting

Need Assistance? Go to [VanguardEngines.com](http://VanguardEngines.com) or call (800) 999-9333 (in USA).

# Specifications

Engine Specifications	
Model	540000
Displacement	54.68 ci (896 cc)
Bore	3.366 in (85.5 mm)
Stroke	3.071 in (78.0 mm)
Oil Capacity	78 - 80 oz (2.3 - 2.4 L)

Engine Specifications	
Model	610000
Displacement	60.60 ci (993 cc)
Bore	3.366 in (85.5 mm)
Stroke	3.406 in (86.5 mm)
Oil Capacity	78 - 80 oz (2.3 - 2.4 L)

Tune-up Specifications *	
Model	540000
Spark Plug Gap	0.020 in (0.51 mm)
Spark Plug Torque	180 lb-in (20 Nm)
Armature Air Gap	0.005 - 0.008 in (0.13 - 0.20 mm)
Intake Valve Clearance	0.004 - 0.006 in (0.10 - 0.15 mm)
Exhaust Valve Clearance	0.004 - 0.006 in (0.10 - 0.15 mm)

Tune-up Specifications *	
Model	610000
Spark Plug Gap	0.020 in (0.51 mm)
Spark Plug Torque	180 lb-in (20 Nm)
Armature Air Gap	0.005 - 0.008 in (0.13 - 0.20 mm)
Intake Valve Clearance	0.004 - 0.006 in (0.10 - 0.15 mm)
Exhaust Valve Clearance	0.004 - 0.006 in (0.10 - 0.15 mm)

\* Engine power will decrease 3.5% for each 1,000 feet (300 meters) above sea level and 1% for each 10° F (5.6° C) above 77° F (25° C). The engine will operate satisfactorily at an angle up to 15°. Refer to the equipment operator's manual for safe allowable operating limits on slopes.

## Common Service Parts

Service Part	Part Number
Air Filter, Low-Profile - Generator UL®	841856
Pre-Cleaner, Low-Profile	692520
Oil - SAE 30	100028
Oil Filter	842921

Service Part	Part Number
Resistor Spark Plug	491055
Long Life Platinum Spark Plug	5066
Spark Plug Wrench	19374
Spark Tester	19368

✓ We recommend that you see any Briggs & Stratton Authorized Dealer for all maintenance and service of the engine and engine parts.



## LIMITED WARRANTY

Briggs & Stratton warrants that, during the warranty period specified below, it will repair or replace, free of charge, any part that is defective in material or workmanship or both. Transportation charges on product submitted for repair or replacement under this warranty must be borne by purchaser. This warranty is effective for and is subject to the time periods and conditions stated below. For warranty service, find the nearest Authorized Service Dealer in our dealer locator map at BRIGGSandSTRATTON.COM. The purchaser must contact the Authorized Service Dealer, and then make the product available to the Authorized Service Dealer for inspection and testing.

**There is no other express warranty. Implied warranties, including those of merchantability and fitness for a particular purpose, are limited to one year from purchase, or to the extent permitted by law. All other implied warranties are excluded. Liability for incidental or consequential damages are excluded to the extent exclusion is permitted by law.** Some states or countries do not allow limitations on how long an implied warranty lasts, and some states or countries do not allow the exclusion or limitation of incidental or consequential damages, so the above limitation and exclusion may not apply to you. This warranty gives you specific legal rights and you may also have other rights which vary from state to state and country \*\*.

## STANDARD WARRANTY TERMS \* ▲

Brand/Product Type	Consumer Use	Commercial Use
Vanguard™ ■	3 years	3 years
Commercial Turf Series™	2 years	2 years
Extended Life Series™ ; I/C®; Intek™ I/C®; Intek™ Pro; Professional Series™ with Dura-Bore™ Cast Iron Sleeve; 850 Series™ with Dura-Bore™ Cast Iron Sleeve; Snow Series MAX™ with Dura-Bore™ Cast Iron Sleeve All Other Briggs & Stratton Engines Featuring Dura-Bore™ Cast Iron Sleeve	2 years	1 year
All Other Briggs & Stratton Engines	2 years	90 days

\* These are our standard warranty terms, but occasionally there may be additional warranty coverage that was not determined at time of publication. For a listing of current warranty terms for your engine, go to BRIGGSandSTRATTON.COM or contact your Briggs & Stratton Authorized Service Dealer.

\*\* In Australia - Our goods come with guarantees that cannot be excluded under the Australian Consumer Law. You are entitled to a replacement or refund for a major failure and for compensation for any other reasonably foreseeable loss or damage. You are also entitled to have the goods repaired or replaced if the goods fail to be of acceptable quality and the failure does not amount to a major failure. For warranty service, find the nearest Authorized Service Dealer in our dealer locator map at BRIGGSandSTRATTON.COM, or by calling 1300 274 447, or by emailing or writing to salesenquiries@briggsandstratton.com.au, Briggs & Stratton Australia Pty Ltd, 1 Moorebank Avenue, Moorebank, NSW, Australia, 2170.

▲ Home Standby Generator applications: 2 years consumer warranty only. No commercial warranty. This warranty does not apply to engines on equipment used for prime power in place of a utility. **Engines used in competitive racing or on commercial or rental tracks are not warranted.**

■ Vanguard installed on standby generators: 2 years consumer use, no warranty commercial use. Vanguard installed on utility vehicles: 2 years consumer use, 2 years commercial use. Vanguard 3-cylinder liquid cooled: see Briggs & Stratton 3/LC Engine Warranty Policy.

The warranty period begins on the date of purchase by the first retail consumer or commercial end user, and continues for the period of time stated in the table above. "Consumer use" means personal residential household use by a retail consumer. "Commercial use" means all other uses, including use for commercial, income producing or rental purposes. Once an engine has experienced commercial use, it shall thereafter be considered as a commercial use engine for purposes of this warranty.

**No warranty registration is necessary to obtain warranty on Briggs & Stratton products. Save your proof of purchase receipt. If you do not provide proof of the initial purchase date at the time warranty service is requested, the manufacturing date of the product will be used to determine the warranty period.**

## About Your Warranty

Briggs & Stratton welcomes warranty repair and apologizes to you for being inconvenienced. Any Authorized Service Dealer may perform warranty repairs. Most warranty repairs are handled routinely, but sometimes requests for warranty service may not be appropriate. To avoid misunderstanding which might occur between the customer and the dealer, listed below are some of the causes of engine failure that the warranty does not cover.

**Normal wear:** Engines, like all mechanical devices, need periodic parts service and replacement to perform well. Warranty will not cover repair when normal use has exhausted the life of a part or an engine. Warranty would not apply if engine damage occurred because of misuse, lack of routine maintenance, shipping, handling, warehousing or improper installation. Similarly, warranty is void if the serial number of the engine has been removed or the engine has been altered or modified.

**Improper maintenance:** The life of an engine depends upon the conditions under which it operates, and the care it receives. Some applications, such as tillers, pumps and rotary mowers, are very often used in dusty or dirty conditions, which can cause what appears to be premature wear. Such wear, when caused by dirt, dust, spark plug cleaning grit, or other abrasive material that has entered the engine because of improper maintenance, is not covered by warranty.

**This warranty covers engine related defective material and/or workmanship only, and not replacement or refund of the equipment to which the engine may be mounted. Nor does the warranty extend to repairs required because of:**

- 1 Problems caused by parts that are not original Briggs & Stratton parts.
- 2 Equipment controls or installations that prevent starting, cause unsatisfactory engine performance, or shorten engine life. (Contact equipment manufacturer.)
- 3 Leaking carburetors, clogged fuel pipes, sticking valves, or other damage, caused by using contaminated or stale fuel.

- 4 Parts which are scored or broken because an engine was operated with insufficient or contaminated lubricating oil, or an incorrect grade of lubricating oil (check and refill when necessary, and change at recommended intervals). OIL GARD may not shut down running engine. Engine damage may occur if oil level is not properly maintained.
- 5 Repair or adjustment of associated parts or assemblies such as clutches, transmissions, remote controls, etc., which are not manufactured by Briggs & Stratton.
- 6 Damage or wear to parts caused by dirt, which entered the engine because of improper air cleaner maintenance, re-assembly, or use of a non-original air cleaner element or cartridge. At recommended intervals, clean and/or replace the filter as stated in the Operator's Manual.
- 7 Parts damaged by over-speeding, or overheating caused by grass, debris, or dirt, which plugs or clogs the cooling fins, or flywheel area, or damage caused by operating the engine in a confined area without sufficient ventilation. Clean engine debris at recommended intervals as stated in the Operator's Manual.
- 8 Engine or equipment parts broken by excessive vibration caused by a loose engine mounting, loose cutter blades, unbalanced blades or loose or unbalanced impellers, improper attachment of equipment to engine crankshaft, over-speeding or other abuse in operation.
- 9 A bent or broken crankshaft, caused by striking a solid object with the cutter blade of a rotary lawn mower, or excessive v-belt tightness.
- 10 Routine tune-up or adjustment of the engine.

**Warranty service is available only through Briggs & Stratton Authorized Service Dealers. Locate your nearest Authorized Service Dealer in our dealer locator map on BRIGGSandSTRATTON.COM or by calling 1-800-233-3723 (in USA).**

**General Information**

The U.S. EPA, and Briggs & Stratton (B&S) are pleased to explain the emissions control system warranty on your Model Year 2013 and later engine / equipment. In the U.S., new Emergency Standby Engines must be designed, built, and equipped to meet stringent emission standards. Engines less than 25 Hp must meet requirements of 40 CFR Part 1054. Engines greater than 25 Hp and less than 130 Hp must meet requirements of 40 CFR Part 1048. B&S must warrant the emissions control system on your engine / equipment.

See Definition of appropriate use of Emergency Standby below.

The emission-related warranty covers all components whose failure would increase an engine's non-evaporative emissions of any regulated pollutant referenced below.

**Manufacturer's Warranty Coverage:**

Briggs & Stratton warrants that the engine is free from defects in material and workmanship, and is also designed, built, and equipped to conform to applicable regulations under Section 213 of the Clean Air Act, from the time the engine is sold, until the expiration of its warranty period.

This warranty applies to all emission related engine components whose failure would cause engine exhaust emissions to be out of EPA compliance. Further, this warranty also applies to other engine components damaged due to the failure of any of these emissions related components.

If a warrantable emissions related component on your engine is defective, the part will be repaired or replaced by B&S at no cost to you including diagnosis, parts, and labor.

Warranty coverage period is four years from date of original purchase, and is offered to the original purchaser and each subsequent purchaser so long as Owner's Warranty Responsibilities are adhered to.

**Owner's Warranty Responsibilities:**

- Warranty claims shall be filed according to the provisions of the Briggs & Stratton Warranty Policy.
- An engine may not be warrantable if subjected to abuse, misuse, neglect, improper maintenance, unapproved modifications, accidents not caused by Briggs & Stratton engines or equipment, or by acts of God.
- Only those engines used as an Emergency Stationary Engine, as defined below, are warrantable.
- You are responsible for presenting your engine / equipment to a B&S distribution center, servicing dealer, or other equivalent entity, as applicable, as soon as a problem exists. The warranty repairs should be completed in a reasonable amount of time, not to exceed 30 days. If you have any questions regarding your warranty rights and responsibilities, you should contact B&S at 1-800-233-3723 (in USA) or BRIGGSandSTRATTON.COM.
- If any components not scheduled for maintenance is repaired or replaced under this warranty, the new part will be warranted only for the remaining warranty period.
- If a warrantable component scheduled for maintenance fails prior to its first scheduled replacement, the part will be repaired or replaced by B&S at no charge to the owner. Any such component is only warrantable until the originally scheduled maintenance period has expired.
- Add on or modified parts that are not exempted by the EPA may not be used. The use of any non-exempted add on or modified parts by the owner will be grounds for disallowing a warranty claim. The manufacturer will not be liable to warrant failures or warranted parts caused by the use of a non-exempted add on or modified part.

**Emergency Stationary Engine Definition**

An Emergency Stationary Engine is defined as any stationary internal combustion engine whose operation is limited to emergency situations and required testing and maintenance. Examples include stationary engines used to produce power for critical networks or equipment (including power supplied to portions of a facility) when electric power from the local utility (or the normal power source, if the facility runs on its own power production) is interrupted, or stationary engines used to pump water in the case of fire or flood, etc. Stationary engines used for peak shaving are not considered emergency stationary engines. Stationary engines used to supply power to an electric grid or that supply power as part of a financial arrangement with another entity are not considered to be emergency engines. Emergency stationary ICE may be operated for the purpose of maintenance checks and readiness testing, provided that the tests are recommended by Federal, State or local government, the manufacturer, the vendor, or the insurance company associated with the engine. Maintenance checks and readiness testing of such units is limited to 100 hours per year. There is no time limit on the use of emergency stationary engines in emergency situations. The owner or operator may petition the Administrator for approval of additional hours to be used for maintenance checks and readiness testing, but a petition is not required if the owner or operator maintains records indicating that Federal, State, or local standards require maintenance and testing of emergency ICE beyond 100 hours per year. Emergency stationary ICE may operate up to 50 hours per year in non-emergency situations, but those 50 hours are counted towards the 100 hours per year provided for maintenance and testing. The 50 hours per year for non-emergency situations cannot be used for peak shaving or to generate income for a facility to supply power to an electric grid or otherwise supply power as part of a financial arrangement with another entity. For owners and operators of emergency engines, any operation other than emergency operation, maintenance and testing, and operation in non-emergency situations for 50 hours per year, as permitted above is prohibited.

## Información General

Este manual contiene información de seguridad para que usted tome conciencia de los peligros y riesgos asociados con los motores, y cómo evitarlos. También contiene instrucciones para el uso y cuidado apropiados del motor. Ya que Briggs & Stratton Corporation no conoce necesariamente cuál equipo impulsará este motor, es importante que usted lea y entienda estas instrucciones y las instrucciones del equipo. **Guarde estas instrucciones para consultarlas en el futuro.**

Para conseguir repuestos o asistencia técnica registre los números de modelo, tipo y código de su motor junto con la fecha de compra. Estos números los encuentra localizados en su motor (consulte la página de **Características y Controles**).

**Fecha de compra:** \_\_\_\_\_  
MES/DIA/AÑO

**Modelo del motor:** \_\_\_\_\_  
Modelo: Tipo: Código:


Busque el código de barras en 2D colocado sobre algunos motores. Cuando se ve con un dispositivo con capacidad 2D, el código abrirá nuestro sitio Web donde usted puede acceder a información de soporte para este producto. Aplican tarifas de datos. Algunos países pueden no tener información de soporte disponible en línea.





## Seguridad del Operario


### SÍMBOLOS DE SEGURIDAD Y CONTROL




El símbolo de aviso de seguridad  se utiliza para identificar la información de seguridad relacionada con los peligros que pueden ocasionar lesiones personales. Se señala con una palabra (PELIGRO, ADVERTENCIA o PRECAUCIÓN) con el símbolo de aviso para indicar la probabilidad de una lesión y su gravedad potencial. Además, un símbolo de peligro puede ser utilizado para representar el tipo de peligro.

 **PELIGRO** indica un peligro que si no es evitado, **ocasionará la muerte o heridas graves.**

 **ADVERTENCIA** indica un peligro que si no es evitado, **podría ocasionar la muerte o heridas graves.**

 **PRECAUCIÓN** indica un peligro que, si no es evitado, **podría ocasionar lesiones menores o moderadas.**

**NOTIFICACIÓN** indica una situación que **podría ocasionar daños al producto.**

 **ADVERTENCIA**  
Ciertos componentes en este producto y sus accesorios relacionados contienen químicos que el Estado de California considera que ocasionan cáncer, defectos congénitos y otros daños en el aparato reproductivo. Lávese las manos después de manejarlos.

### **ADVERTENCIA**


La descarga de escape que expelle este motor por este producto contiene químicos conocidos para el Estado de California que pueden ocasionar cáncer, defectos de nacimiento u otros daños que pueden ser perjudiciales para la reproducción.


### **ADVERTENCIA**

Los motores Briggs & Stratton no están diseñados ni deben ser utilizados para impulsar karts para diversión/recreo, vehículos para niños, recreacionales o vehículos deportivos todo terreno (ATVs), bicicletas motorizadas, aerodeslizadores, productos para aviación o vehículos para uso en eventos competitivos no autorizados por Briggs & Stratton. Para información acerca de productos para carreras de competencia refiérase a [www.briggsracing.com](http://www.briggsracing.com). Para la utilización con ATVs utilitarios y "lado a lado," por favor póngase en contacto con Briggs & Stratton Engine Application Center, 1-866-927-3349. La aplicación inadecuada del motor puede tener como resultado lesiones graves o incluso la muerte.

**NOTIFICACIÓN:** Este motor fue despachado de Briggs & Stratton sin aceite. Antes de darle arranque al motor, asegúrese de agregar aceite de acuerdo con las instrucciones de este manual. Si da arranque al motor sin que éste tenga aceite, se dañará hasta tal punto que no podrá ser reparado y no será cubierto por la garantía.

### **ADVERTENCIA**

 **El combustible y sus vapores son extremadamente inflamables y explosivos.**

 **Un incendio o una explosión pueden causar graves quemaduras o la muerte.**

#### Quando Aprovechione con Combustible

- Llene el tanque de combustible en exteriores o en un área bien ventilada.
- Compruebe con frecuencia si existen grietas o fugas en las mangueras de combustible, el tanque, la tapa y en los accesorios. Cámbielos si es necesario

#### Quando le de Arranque al motor

- Asegúrese que la bujía, el mofle y el filtro de aire (si está equipado) estén en su lugar y firmemente asegurados.
- No haga girar el motor si removió la bujía.

#### Quando Opere El Equipo

- Nunca arranque u opere el motor si removió el conjunto del filtro de aire (si está equipado) o el filtro de aire (si está equipado).

#### Quando Transporte el Equipo

- Transporte los motores que operen con Gas Natural/Gas Propano (LP) con el cilindro de combustible vacío o con la válvula cerrada, o con el tanque desconectado.

#### Quando Almacene el Combustible o el Equipo con Combustible en el Tanque

- Almacene a distancia de hornos, estufas, calentadores de agua u otros aparatos que utilicen testigos piloto u otras fuentes de encendido ya que estos pueden encender los vapores combustibles.



### ADVERTENCIA



**Dar arranque al motor crea chispeo. El chispeo puede encender los gases inflamables cercanos. Podría ocurrir una explosión o un incendio.**

- Si hay una fuga de gas natural o gas propano LP en el área, no le de arranque al motor.
- No use líquidos de arranque presurizado ya que los vapores son inflamables.



### ADVERTENCIA



**PELIGRO DEBIDO A GAS VENENOSO. El escape del motor contiene monóxido de carbono, un gas venenoso que puede matarlo en cuestión de minutos. Usted NO PUEDE verlo, olerlo o probarlo. Incluso si usted no puede oler los vapores del escape, usted todavía puede estar expuesto al monóxido de carbono. Si usted comienza a sentirse enfermo, mareado, o débil mientras usa este producto, apáguelo y salga al aire fresco INMEDIATAMENTE. Consulte a un médico. Usted puede sufrir de intoxicación por monóxido de carbono.**

- Opere este producto ÚNICAMENTE lejos de ventanas, puertas y rejillas de ventilación para reducir el riesgo de que se acumule el monóxido de carbono y que potencialmente resulte arrastrado hacia los espacios ocupados.
- Instale alarmas para monóxido de carbono que funcionen con baterías o alarmas insertables para monóxido de carbono con batería de respaldo, de acuerdo a las instrucciones del fabricante. Las alarmas de humo no pueden detectar el monóxido de carbono.
- NO haga funcionar este producto dentro de hogares, garajes, sótanos, espacios para acceso, casetas u otros espacios parcialmente cerrados, incluso si se usan ventiladores o se abren las puertas y ventanas para propósitos de ventilación. El monóxido de carbono puede acumularse rápidamente en estos espacios y puede persistir durante horas, incluso después de que se haya apagado este producto.
- SIEMPRE coloque este producto a favor del viento y apunte el escape del motor lejos de espacios ocupados.



### ADVERTENCIA



**La retracción rápida de la cuerda de arranque (contragolpe) le halará la mano y el brazo hacia el motor más rápido de lo que usted la pueda dejar ir.**

**Podrían ocasionarse roturas de huesos, fracturas, moretones o torceduras.**

- Cuando le de arranque al motor, hale lentamente la cuerda hasta que se sienta resistencia y después hálela rápidamente para evitar un contragolpe.
- Remueva todas las cargas externas del equipo/motor antes de darle arranque al motor.
- Los componentes de acople directo del equipo tal como, pero sin limitarse a, cuchillas, impulsores, poleas, dientes de piñones, etc. se deben asegurar firmemente.



### ADVERTENCIA



**Las partes rotantes pueden tener contacto o enredar las manos, los pies, el cabello, la ropa o los accesorios.**

**Puede producirse una traumática amputación o una grave laceración.**

- Opere el equipo con los protectores en su lugar.
- Mantenga sus manos y sus pies a distancia de las partes rotantes.
- Recójase el cabello largo y quítese las joyas.
- No use ropa floja, tiras que cuelguen ni artículos que puedan ser agarrados.



### ADVERTENCIA



**El funcionamiento de los motores produce calor. Las partes de los motores, especialmente el mofle, se calientan demasiado.**

**Pueden ocurrir graves quemaduras a causa de su contacto.**



**Desechos combustibles, tal como hojas, grama, maleza, etc. pueden alcanzar a encenderse.**

- Deje que el mofle, el cilindro y las aletas del motor se enfríen antes de tocarlos.
- Remueva los desechos acumulados en el área del mofle y en el área del cilindro.
- Usar u operar el motor en un terreno que contenga bosques, arbustos o pasto es una violación al Código de Recursos Públicos de California, Sección 4442, a menos que el sistema de escape esté equipado con un atrapachispas, según se define en la Sección 4442, mantenido en excelente estado de funcionamiento. Otros estados o jurisdicciones federales pueden tener leyes similares. Contacte al fabricante, comerciante o distribuidor del equipo original para obtener un atrapachispas diseñado para el sistema de escape instalado en este motor.



### ADVERTENCIA



**Un chispeo involuntario puede producir un incendio o una descarga eléctrica.**



**Una puesta en marcha involuntaria puede ocasionar un enredo, una amputación traumática o una laceración.**



**Peligro de incendio**

#### Antes de hacer ajustes o reparaciones:

- Desconecte el cable de la bujía y mántegalo a distancia de la bujía.
- Desconecte la batería en la terminal negativa (únicamente motores con arranque eléctrico).
- Use únicamente las herramientas correctas.
- No manipule los resortes del regulador, las varillas u otras partes para incrementar la velocidad del motor.
- Los repuestos deben ser del mismo diseño y ser instalados en la misma posición que tenían las partes originales. Es posible que otros repuestos no funcionen tan bien, dañen la unidad y hasta pueden ocasionar lesiones.
- No golpee la volante con un martillo ni con un objeto pesado ya que la volante podría astillarse más adelante durante la operación.

#### Cuando compruebe chispa:

- Utilice un probador aprobado.
- No compruebe chispa si removió la bujía.



### ADVERTENCIA



**Los combustibles gaseosos son extremadamente inflamables y fácilmente forman mezclas explosivas de aire-vapor en temperaturas ambiente.**



#### Si percibe un olor a gas

- No le de arranque al motor.
- No accione ninguno de los suiches eléctricos.
- No use el teléfono cerca.
- Evacúe el área.
- Contacte al proveedor de gas o al departamento de bomberos.



### ADVERTENCIA



**Protéjase los ojos cuando realice un trabajo de reparación.**



**Se puede presentar congelamiento por el contacto de la piel/ojos con una fuga de gas propano.**

- La instalación, el ajuste y las labores de reparación deben hacerse por un técnico calificado.
- Las mangueras flexibles de suministro deben revisarse con regularidad para asegurarse que están en buenas condiciones. Reemplace los componentes que estén dañados o que presenten fugas.



### ADVERTENCIA



**Si falta la válvula de "paso de combustible" o si es inoperante se podría presentar una explosión o un incendio.**



- No opere el equipo si falta la válvula de "paso de combustible" o si es inoperante.

# Características y Controles

Compare la ilustración **1** con su motor para que se familiarice con la localización de las diversas características y controles.

- A. Identificación del motor  
Modelo, Tipo y Código. Ejemplo:
- B. Bujía
- C. Filtro de Aire, Bajo Perfil
- D. Varilla Indicadora Nivel de Aceite
- E. Llenado de Aceite
- F. Filtro de Aceite
- G. Tapón Drenaje Aceite
- H. Sensor de Presión de Aceite
- I. Protector de dedos / Malla de la Volante
- J. Arranque eléctrico
- K. Solenoide de Arranque
- L. Regulador/Rectificador
- M. Mezclador LPG/NG
- N. Refrigerador de Aceite
- O. Mofle

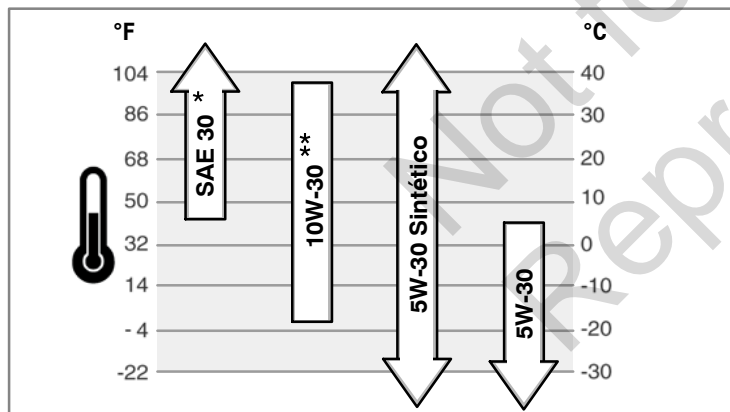
## Operación

Capacidad de aceite (consulte la sección de **Especificaciones**)

### Recomendaciones de Aceite

Recomendamos el uso de aceites Briggs & Stratton Warranty Certified para obtener el mejor desempeño. Otros aceites detergentes de alta calidad son aceptables si están clasificados para servicio SF, SG, SH, SJ o mayores. No utilice aditivos especiales.

Las temperaturas externas determinan la viscosidad adecuada del aceite para el motor. Utilice la tabla para seleccionar la mejor viscosidad según el rango de temperatura externa esperado.



\* Si se utiliza SAE 30 a una temperatura inferior a los 40°F (4°C) se producirá un arranque difícil.

\*\* Si se utiliza 10W-30 a una temperatura superior a los 80°F (27°C) se podrá ocasionar un mayor consumo de aceite. Verifique el nivel de aceite con mayor frecuencia.

### Cómo Comprobar/Añadir Aceite - Figura 2

#### Antes de añadir o comprobar el nivel de aceite

- Coloque el motor a nivel.
  - Limpie el área de llenado de aceite de todo desecho.
1. Remueva la varilla indicadora de nivel de aceite (A) y límpiela con un trapo limpio (Figura 2).
  2. Inserte y apriete la varilla indicadora de nivel de aceite.
  3. Remueva la varilla indicadora de nivel de aceite y compruebe el nivel de aceite. El aceite debe llegar arriba del indicador de (B) en la varilla indicadora de nivel de aceite.
  4. Si el nivel de aceite es bajo, agregue aceite lentamente por dentro del tubo de llenado de aceite (C). **No lo llene excesivamente.** Después de añadir aceite, espere un minuto y vuelva a comprobar el nivel de aceite.

5. Coloque y apriete la varilla indicadora de nivel de aceite.

### Sistema de protección contra bajo nivel de aceite (si está equipado)

Algunos motores están equipados con un sensor de bajo nivel de aceite. Si el nivel de aceite es bajo, el sensor o activará una luz de advertencia o detendrá el motor. Pare el motor y siga estos pasos antes de volverlo a arrancar.

- Asegúrese que el motor esté nivelado.
- Verifique el nivel de aceite. Consulte la sección **Cómo verificar/Agregar aceite**.
- Si el nivel de aceite es bajo, añada la cantidad apropiada de aceite. Arranque el motor y compruebe que la luz de advertencia (si está equipada) no quede encendida.
- Si el nivel de aceite no está en bajo **no dé arranque** al motor. Contacte un Distribuidor Autorizado Briggs & Stratton para corregir el problema de presión de aceite.

### Recomendaciones para el Combustible



#### ADVERTENCIA

Si falta la válvula de "paso de combustible" o si es inoperante se podría presentar una explosión o un incendio.

- **No opere** el equipo si falta la válvula de "paso de combustible" o si es inoperante.

#### El combustible debe cumplir con estos requerimientos:

- Utilice combustible limpio, seco, libre de humedad o cualquier partícula. Si se utilizan combustibles por fuera de los siguientes valores recomendados se podrían presentar problemas de rendimiento.
- En motores ajustados para operar con gas propano LPG, se recomienda un grado comercial HD5 LPG. La composición recomendada de combustible es combustible con una energía mínima de combustible de 2500 BTU's/pies<sup>3</sup> con un contenido máximo de propileno del 5% y butano y un contenido más denso de gas del 2.5% y un contenido mínimo de propano del 90%.

Los motores NG o LPG están certificados para funcionar con gas natural o con gas propano. El sistema de control de emisiones para este motor es EM (Modificaciones del Motor).



**ADVERTENCIA:** El equipo en el cual se monta este motor viene equipado con una válvula automática de seguridad de "cierre de combustible". No opere el equipo si falta la válvula de "cierre de combustible" o si es inoperante.

### Cómo agregar combustible



#### ADVERTENCIA

El combustible y sus vapores son extremadamente inflamables y explosivos. Un incendio o una explosión pueden causar graves quemaduras o la muerte.

#### Cuando Aprovisione con Combustible

- Llene el tanque de combustible en exteriores o en un área bien ventilada.
- Compruebe con frecuencia si existen grietas o fugas en las mangueras de combustible, el tanque, la tapa y en los accesorios. Cámbielos si es necesario

Para obtener información acerca del aprovisionamiento de motores que funcionan con gas natural o con gas propano LP, lea las instrucciones de operación suministradas por el fabricante del equipo.

### Cómo arrancar y detener el motor



#### ADVERTENCIA

El combustible y sus vapores son extremadamente inflamables y explosivos. Un incendio o una explosión pueden causar graves quemaduras o la muerte.

#### Cuando le de Arranque al motor

- Asegúrese que la bujía, el mofle, la tapa de combustible y el filtro de aire (si está equipado) estén en su lugar, y firmemente asegurados.
- No haga girar el motor si removió la bujía.



## ADVERTENCIA

**PELIGRO DEBIDO A GAS VENENOSO.** El escape del motor contiene monóxido de carbono, un gas venenoso que puede matarlo en cuestión de minutos. Usted **NO PUEDE** verlo, olerlo o probarlo. Incluso si usted no puede oler los vapores del escape, usted todavía puede estar expuesto al monóxido de carbono. Si usted comienza a sentirse enfermo, mareado, o débil mientras usa este producto, apáguelo y salga al aire fresco **INMEDIATAMENTE**. Consulte a un médico. Usted puede sufrir de intoxicación por monóxido de carbono.

- Opere este producto ÚNICAMENTE lejos de ventanas, puertas y rejillas de ventilación para reducir el riesgo de que se acumule el monóxido de carbono y que potencialmente resulte arrastrado hacia los espacios ocupados.
- Instale alarmas para monóxido de carbono que funcionen con baterías o alarmas insertables para monóxido de carbono con batería de respaldo, de acuerdo a las instrucciones del fabricante. Las alarmas de humo no pueden detectar el monóxido de carbono.
- NO haga funcionar este producto dentro de hogares, garajes, sótanos, espacios para acceso, casetas u otros espacios parcialmente cerrados, incluso si se usan ventiladores o se abran las puertas y ventanas para propósitos de ventilación. El monóxido de carbono puede acumularse rápidamente en estos espacios y puede persistir durante horas, incluso después de que se haya apagado este producto.
- SIEMPRE coloque este producto a favor del viento y apunte el escape del motor lejos de espacios ocupados.

**NOTIFICACIÓN:** Este motor fue despachado de Briggs & Stratton sin aceite. Antes de darle arranque al motor, asegúrese de agregar aceite de acuerdo con las instrucciones de este manual. Si da arranque al motor sin que éste tenga aceite, se dañará hasta tal punto que no podrá ser reparado y no será cubierto por la garantía.

Para obtener información acerca de cómo arrancar y detener el motor, lea las instrucciones de operación suministradas por el fabricante del equipo.

## Mantenimiento

Recomendamos que contacte a cualquier Distribuidor Autorizado de Briggs & Stratton para todo lo relacionado con el mantenimiento y el servicio del motor y sus partes.

**NOTIFICACIÓN:** Todos los componentes utilizados para fabricar este motor deben mantenerse en su lugar para una correcta operación.

### Control de Emisiones

El mantenimiento, cambio o reparación de los dispositivos y sistemas del control de emisiones pueden ser realizados por cualquier establecimiento o persona que repare motores todo terreno. Sin embargo, para obtener servicio de control de emisiones "sin costo", la labor debe ser realizada por un distribuidor autorizado por la fábrica. Vea la Garantía de Emisiones.



## ADVERTENCIA



Un chispeo involuntario puede producir un incendio o una descarga eléctrica.



Una puesta en marcha involuntaria puede ocasionar un enredo, una amputación traumática o una laceración.



Peligro de incendio

### Antes de hacer ajustes o reparaciones:

- Desconecte el cable de la bujía y mántegalo a distancia de la bujía.
- Desconecte la batería en la terminal negativa (únicamente motores con arranque eléctrico).
- Use únicamente las herramientas correctas.
- No manipule los resortes del regulador, las varillas u otras partes para incrementar la velocidad del motor.
- Los repuestos deben ser del mismo diseño y ser instalados en la misma posición que tenían las partes originales. Es posible que otros repuestos no funcionen tan bien, dañen la unidad y hasta pueden ocasionar lesiones.
- No golpee la volante con un martillo ni con un objeto pesado ya que la volante podría astillarse más adelante durante la operación.

### Cuando compruebe chispa:

- Utilice un probador aprobado.
- No compruebe chispa si removió la bujía.

## Cuadro de Mantenimiento

### Las Primeras 5 horas

- Cambie aceite

### Cada 8 Horas o Diariamente

- Compruebe el nivel de aceite del motor.
- Limpie el área alrededor del mofle y los controles

### Cada 100 horas o anualmente

- Limpie o cambie el filtro de aire \* ▲
- Cambie el filtro de aire
- Cambie la bujía
- Compruebe el mofle y el atrapachispas

### Cada 250 horas o anualmente

- Compruebe la tolerancia de la válvula. Ajuste si es necesario.

### Cada 400 horas o anualmente

- Cambie el aceite y el filtro del motor ▲
- Limpie el sistema de enfriamiento de aire \*
- Limpie las aletas refrigerantes de aceite \*

\* Limpie con mayor frecuencia en condiciones de mucho polvo o cuando el aire contenga muchas partículas.

## Cómo Cambiar la Bujía - Figura 3

Compruebe el entrehierro (A, Figura 3) con un calibrador de alambre (B). Si es necesario, reajuste el entrehierro. Instale y apriete la bujía al par de torsión recomendado. Para el ajuste del entrehierro o el par de torsión, consulte la sección de **Especificaciones**.

*Nota:* En algunas áreas, las leyes locales requieren el uso de una bujía con resistencia para suprimir las señales de encendido. Si este motor vino originalmente equipado con una bujía con resistencia, utilice el mismo tipo de bujía cuando la reemplace.

## Inspección del Mofle y el Atrapachispas - Figura 4



## ADVERTENCIA



El funcionamiento de los motores produce calor. Las partes de los motores, especialmente el mofle, se calientan demasiado.

Pueden ocurrir graves quemaduras a causa de su contacto.



Desechos combustibles, tal como hojas, grama, maleza, etc. pueden alcanzar a encenderse.

- Deje que el mofle, el cilindro y las aletas del motor se enfríen antes de tocarlos.
- Remueva los desechos acumulados en el área del mofle y en el área del cilindro.
- Constituye una violación del Código de Recursos Públicos de California, Sección 4442, el utilizar u operar el motor en terrenos cubiertos con bosques, maleza o grama, a menos que el sistema de escape esté equipado con un atrapachispas, tal como se define en la Sección 4442, mantenido en correcto orden de funcionamiento. Otros estados pueden tener leyes similares. Póngase en contacto con el fabricante, minorista o distribuidor del equipo original para obtener un atrapachispas diseñado para el sistema de escape instalado en este motor.

Remueva los desechos acumulados en el área del mofle y en el área del cilindro. Inspeccione el mofle (A, Figura 4) en busca de grietas, corrosión u otros daños. Remueva el atrapachispas (B), en caso de estar equipado, e inspeccione en búsqueda de daños u obstrucciones de carbón. Si se encuentran daños, instale los repuestos antes de operar.



**ADVERTENCIA:** Los repuestos deben ser del mismo diseño y ser instalados en la misma posición que tenían las partes originales. Es posible que otros repuestos no funcionen tan bien, dañen la unidad y hasta pueden ocasionar lesiones.

## Cómo Cambiar el Aceite - Figura 5

El aceite usado es un producto de desecho peligroso y debe ser desechado en forma apropiada. No lo descarte en la basurera de la casa. Verifique con sus autoridades locales, con el centro de servicio, o con su distribuidor para obtener información acerca de las facilidades seguras para su destrucción/reciclaje.

### Remoción del Aceite

1. Con el motor apagado pero aún caliente, desconecte el cable de la bujía (A) y mántegalo a distancia de la bujía (Figura 5).
2. Remueva el tapón de drenaje de aceite (B). Drene el aceite a un recipiente aprobado.
3. Después de haber drenado el aceite del motor, instale y apriete el tapón de drenaje de aceite.

### Cambio del Filtro de Aceite

Todos los modelos están equipados con un filtro de aceite. Para consultar cada cuánto deben ser reemplazados, vea la tabla de **Mantenimiento**.

1. Drene el aceite del motor. Consulte la sección **Remoción del Aceite**.
2. Remueva el filtro de aceite (C, Figura 5) y deséchelo de manera adecuada.
3. Antes de instalar el nuevo filtro de aceite, lubrique un poco el empaque del filtro de aceite con aceite fresco y limpio.
4. Instale manualmente el filtro de aceite de hasta que el empaque haga contacto con el adaptador del filtro de aceite, luego apriete el filtro de aceite dándole 1/2 a 3/4 vueltas.

5. Agregue aceite. Consulte la sección **Aprovisionamiento de Aceite**.
6. De arranque y opere el motor. A medida que el motor se caliente compruebe que no presente fugas de aceite.
7. Detenga el motor y compruebe el nivel de aceite. El aceite debe llegar arriba del indicador de (F) en la varilla indicadora de nivel de aceite.

### Aprovisionamiento de Aceite

- Coloque el motor a nivel.
  - Limpie el área de llenado de aceite de todo desecho.
  - Consulte la sección de **Especificaciones** para la capacidad de aceite.
1. Remueva la varilla indicadora de nivel de aceite (D, Figura 5) y límpiela con un trapo limpio.
  2. Vierta el aceite lentamente por dentro del tubo de llenado de aceite (E). **No lo llene excesivamente**. Después de añadir aceite, espere un minuto y vuelva a comprobar el nivel de aceite.
  3. Coloque y ajuste la varilla indicadora.
  4. Remueva la varilla indicadora de nivel de aceite y compruebe el nivel de aceite. El aceite debe llegar arriba del indicador de (F) en la varilla indicadora de nivel de aceite.
  5. Coloque y ajuste la varilla indicadora.

### Cómo Darle Servicio al Filtro de Aire - Figura 6



#### ADVERTENCIA



El combustible y sus vapores son extremadamente inflamables y explosivos.

Un incendio o una explosión pueden causar graves quemaduras o la muerte.

- Nunca arranque u opere el motor si removió el conjunto del filtro de aire (si está equipado) o el filtro de aire (si está equipado).

**NOTIFICACIÓN:** No use aire a presión ni solventes para limpiar el filtro. El aire a presión puede dañar el filtro y los solventes pueden disolverlo.

#### Sistema de Filtro de Aire de Bajo Perfil (Figura 6)

1. Remueva la perilla (F) y la tapa (G). Vea Figura 6.
2. Remueva la tuerca (H) y el retenedor (J).
3. Remueva el filtro de aire (K).
4. Remueva el pre-filtro (L), si está equipado, del filtro de aire.
5. Para aflojar los desechos, golpee suavemente el filtro sobre una superficie dura. Si el filtro está excesivamente sucio, reemplácelo con un nuevo filtro.
6. Lave el pre-filtro en detergente líquido y agua. Luego permita que se seque completamente al aire. **No** aceite el pre-filtro.
7. Instale el pre-filtro seco sobre el filtro de aire.

8. Instale el filtro de aire y asegúrelo con el retenedor y la tuerca.
9. Instale la tapa y asegúrela con la perilla.

### Cómo Limpiar el Sistema de Enfriamiento de Aire - Figura 7



#### ADVERTENCIA



El funcionamiento de los motores produce calor. Las partes de los motores, especialmente el mofle, se calientan demasiado.

Pueden ocurrir graves quemaduras a causa de su contacto.



Desechos combustibles, tal como hojas, grama, maleza, etc. pueden alcanzar a encenderse.

- Deje que el mofle, el cilindro y las aletas del motor se enfríen antes de tocarlos.
- Remueva los desechos acumulados en el área del mofle y en el área del cilindro.

**NOTIFICACIÓN:** No use agua para limpiar el motor. El agua podría contaminar el sistema de combustible. Utilice un cepillo o un trapo seco para limpiar el motor. Este es un motor enfriado por aire. Las suciedades o los desechos pueden restringir el flujo de aire y ocasionar recalentamiento en el motor, produciendo un desempeño pobre y una vida del motor reducida.

Utilice un cepillo o un trapo seco para remover los desechos del protector de dedos/malla de la volante (A, Figura 7). Mantenga las varillas, los resortes y los controles limpios. Mantenga el área alrededor y por detrás del mofle (C) libre de todo desecho combustible. Asegúrese de que las aletas de enfriamiento del aceite (D) estén libres de mugre y de desechos.

### Bodegaje



#### ADVERTENCIA



El combustible y sus vapores son extremadamente inflamables y explosivos.

Un incendio o una explosión pueden causar graves quemaduras o la muerte.

**Cuando Almacene el Combustible o el Equipo con Combustible en el Tanque**

- Almacene a distancia de hornos, estufas, calentadores de agua u otros aparatos que utilicen testigos piloto u otras fuentes de encendido ya que estos pueden encender los vapores combustibles.

### Aceite del Motor

Cambie el aceite del motor mientras que el motor se encuentre todavía caliente.

### Detección de Fallas

¿Necesita Asistencia? Vaya a [VanguardEngines.com](http://VanguardEngines.com) o marque el teléfono (800) 999-9333 (en los EE.UU.).

## Especificaciones

### Especificaciones del Motor

Modelo	540000
Desplazamiento	54,68 in <sup>3</sup> (896 cm <sup>3</sup> )
Diámetro Interno del Cilindro	3,366 in (85,5 mm)
Carrera	3,071 in (78,0 mm)
Capacidad de Aceite	78 - 80 oz (2,3 - 2,4 L)

### Especificaciones de Ajuste \*

Modelo	540000
Entrehierro de la Bujía	0,020 in (0,51 mm)
Par de Torsión de la Bujía	180 lb-in (20 Nm)
Entrehierro Inducido	0,005 - 0,008 in (0,13 - 0,20 mm)
Tolerancia de la Válvula de Admisión	0,004 - 0,006 in (0,10 - 0,15 mm)
Tolerancia de la Válvula de Escape	0,004 - 0,006 in (0,10 - 0,15 mm)

\* La potencia del motor disminuirá 3.5% por cada 1,000 pies (300 metros) sobre el nivel del mar y un 1% por cada 10° F (5.6° C) por encima de 77° F (25° C). El motor operará satisfactoriamente a un ángulo de hasta 15°. Refiérase al manual del operador del equipo para obtener información acerca de los límites de operación permitidos en pendientes.

### Especificaciones del Motor

Modelo	610000
Desplazamiento	60,60 in <sup>3</sup> (993 cm <sup>3</sup> )
Diámetro Interno del Cilindro	3,366 in (85,5 mm)
Carrera	3,406 in (86,5 mm)
Capacidad de Aceite	78 - 80 oz (2,3 - 2,4 L)

### Especificaciones de Ajuste \*

Modelo	610000
Entrehierro de la Bujía	0,020 in (0,51 mm)
Par de Torsión de la Bujía	180 lb-in (20 Nm)
Entrehierro Inducido	0,005 - 0,008 in (0,13 - 0,20 mm)
Tolerancia de la Válvula de Admisión	0,004 - 0,006 in (0,10 - 0,15 mm)
Tolerancia de la Válvula de Escape	0,004 - 0,006 in (0,10 - 0,15 mm)

### Partes de Servicio Comunes

Parte de Servicio	Numero de parte	Parte de Servicio	Numero de parte
Filtro de bajo perfil - Grupo electrógeno UL®	841856	Bujía con Resistencia	491055
Pre-filtro de bajo perfil	692520	Bujía de Platino de Larga Vida	5066
Aceite - SAE 30	100028	Llave de Bujía	19374
Filtro de Aceite	842921	Probador de Chispa	19368

Recomendamos que contacte a cualquier Distribuidor de Servicio Autorizado Briggs & Stratton para todo lo relacionado con el mantenimiento y el servicio del motor y sus partes.

**GARANTÍA LIMITADA**

Briggs & Stratton Corporation garantiza que durante el período de garantía especificado más adelante reparará o reemplazará, sin costo alguno, cual(es)quier parte(s) del motor considerada(s) como defectuosas en material, mano de obra o ambos. Los gastos de transporte del producto sometido a reparación o cambio bajo esta Garantía deben ser abonados por el comprador. Esta garantía tiene vigencia y está sujeta a los períodos y condiciones establecidos a continuación. Para recibir servicio de garantía, contacte el Distribuidor de Servicio Autorizado más cercano en nuestro mapa de localización de distribuidores en BRIGGSandSTRATTON.COM. El comprador debe ponerse en contacto con el Distribuidor de Servicio Autorizado, y luego poner el producto a disposición del Distribuidor de Servicio Autorizado para la inspección y pruebas.

**No existe ninguna otra garantía expresa. Las garantías implícitas, incluso aquellas de mercantilidad o adaptabilidad para un fin determinado quedan limitadas a un año a partir de la fecha de compra o a la extensión permitida por la ley, quedando excluidas todas las demás garantías implícitas. La responsabilidad por daños fortuitos o consecuentes bajo cualquier y todas las garantías queda excluida en la medida que dicha exclusión sea permitida por la ley.** Algunos países o estados no contemplan limitaciones en cuanto a la duración de una garantía implícita, y otros países o estados no permiten la exclusión o limitación de daños consecuentes o incidentales, en cuyo caso la limitación y la exclusión anteriores pueden no ser aplicables para usted. Esta garantía le da derechos legales específicos, pudiendo tener a su vez otros derechos que varían de un estado a otro y de un país a otro \*\*.

**TÉRMINOS ESTÁNDAR PARA GARANTÍA \* ▲**

Marca/Tipo de Producto	Uso Privado	Uso Comercial
Vanguard™ ■	3 años	3 años
Serie comercial para césped™	2 años	2 años
Serie Larga Vida™; I/C®; Intek™ I/C®; Intek™ Pro;™ Serie Professional™ con Funda de Hierro Colado Dura-Bore™; Serie 850™ con Funda de Hierro Colado Dura-Bore™; Serie Snow MAX™ con Funda de Hierro Colado Dura-Bore™ Todos los otros motores Briggs & Stratton que incorporan Funda de Hierro Colado Dura-Bore™	2 años	1 año
Todos los otros motores Briggs & Stratton	2 años	90 días

- \* Éstos son nuestros términos de garantía estándares, pero de vez en cuando puede existir una cobertura adicional de la garantía que no fue determinada en el momento de la publicación. Para obtener un listado de los términos de garantía corrientes para su motor, vaya a BRIGGSandSTRATTON.COM o póngase en contacto con su Distribuidor de Servicio autorizado de Briggs & Stratton.
- \*\* En Australia - Nuestros productos cuentan con garantías que no pueden ser excluidas en virtud de la Ley del Consumidor de Australia. Usted tiene derecho a un reemplazo o un reembolso en caso de una falla grave y a una compensación por cualquier pérdida o daño razonablemente previsible. Usted también tiene derecho a que se le reparen o reemplacen los productos si no son de calidad aceptable y la falla no tiene como consecuencia una falla grave. Para el servicio en garantía, ubique el Distribuidor de Servicio Autorizado más cercano en nuestro mapa de ubicación de distribuidores en BRIGGSandSTRATTON.COM, o llamando al 1300 274 447, o enviando un correo electrónico o una carta a salesenquiries@briggsandstratton.com.au, Briggs & Stratton Australia Pty Ltd, 1 Moorebank Avenue, Moorebank, NSW, Australia, 2170.
- ▲ Aplicaciones de Generadores Domésticos: 2 años como garantía del consumidor solamente. No hay garantía comercial. Esta garantía no se aplica a motores en equipos usados para energía principal en lugar de un servicio. **Los motores usados en eventos competitivos o en pistas comerciales o de renta no están cubiertos por la garantía.**
- Vanguard instalado en generadores standby: 2 años de uso por el consumidor, la garantía solo aplica para generadores en uso privado. Vanguard instalado en vehículos de servicio: 2 años de uso por el consumidor, 2 años para uso comercial. Para Vanguard de 3 cilindros enfriado por líquido: ver la Póliza de Garantía para Motor 3/LC de Briggs & Stratton.

El período de garantía comienza a partir de la fecha en la cual lo compró el consumidor detallista original o usuario final comercial, y continúa por el período de tiempo establecido en la tabla anterior. "Uso privado" significa uso doméstico personal por el consumidor detallista original. "Uso Comercial" significa todos los otros usos, incluyendo fines comerciales o que produzcan ingresos o renta. Una vez que el motor haya experimentado uso comercial, será considerado en adelante como motor de uso comercial para fines de esta garantía.

**No es necesario registrar la garantía para obtener servicio en los productos Briggs & Stratton. Guarde su recibo de compra. Si no aporta la prueba de la fecha de compra inicial, se utilizará la fecha de fabricación del producto para determinar el período de garantía.**

**Acerca de su Garantía**

Briggs & Stratton recibe con agrado las reparaciones en garantía y le pide disculpas por las molestias causadas. Cualquier Distribuidor de Servicio Autorizado puede efectuar reparaciones en garantía. La mayoría de las reparaciones en garantía se gestionan normalmente, pero a veces las solicitudes para servicio de garantía pueden no ser las apropiadas. Para evitar cualquier malentendido que pudiera presentarse entre el cliente y el distribuidor, se enumeran a continuación algunas de las causas de fallas del motor que la garantía no cubre.

**Desgaste Normal:** Los motores necesitan, como todos los dispositivos mecánicos, el cambio y el servicio periódico de las partes para desempeñarse bien. La garantía no cubrirá la reparación cuando el uso normal haya agotado la vida de una parte o del motor. La garantía no podría aplicarse si el daño del motor ocurrió debido a abuso, falta del mantenimiento habitual, transporte, manejo, bodegaje o instalación inapropiados. De igual manera se invalidará la garantía si el número serial del motor ha sido removido o si el motor ha sido alterado o modificado.

**Mantenimiento Incorrecto:** La vida útil de un motor depende de las condiciones bajo las cuales opere el motor y del cuidado que éste reciba. Algunas aplicaciones, tales como cultivadoras, bombas y máquinas cortacésped rotantes, se utilizan con mucha frecuencia en condiciones de mucho polvo o en condiciones muy sucias, las cuales pueden hacer que parezca un desgaste prematuro del motor. Tal desgaste, cuando es ocasionado por suciedad, polvo o por el hecho de limpiar la bujía con chorro de arena, o porque otro material abrasivo haya entrado al motor debido a un mantenimiento no apropiado, no será cubierto por la garantía.

**Esta garantía cubre únicamente, material defectuoso y/o mano de obra relacionados con el motor, y no el cambio o reembolso del equipo en el cual haya sido montado el motor. Ni extenderá la garantía a reparaciones requeridas debido a:**

- 1 Problemas ocasionados por el uso de partes que no sean partes originales Briggs & Stratton.
- 2 Controles del equipo o instalaciones que impidan el arranque, ocasionando un rendimiento poco satisfactorio del motor, o que acorten la vida del motor. (Contacte el fabricante del equipo.)
- 3 Carburadores con fugas, conductos de combustible obstruidos, válvulas atascadas u otros daños causados por el uso de combustible contaminado o pasado.

- 4 Partes que se hayan rayado o reventado por operar el motor con aceite lubricante insuficiente o contaminado, o por el uso del grado de viscosidad de aceite incorrecto (compruebe el nivel de aceite y termine de aprovisionar cuando sea necesario, y cambie aceite según los intervalos recomendados.) El dispositivo protector del aceite OIL GARD no se puede apagar durante la operación del motor. Se podrían presentar daños en el motor si el nivel de aceite no se mantiene correctamente.
- 5 Reparación o ajuste de partes asociadas o conjuntos tales como embragues, transmisiones, controles remoto, etc., los cuales no son fabricados por Briggs & Stratton.
- 6 Daño o desgaste de partes causado por la entrada de suciedades al motor debido al mantenimiento incorrecto del filtro de aire, montaje incorrecto, o por el uso de un elemento o cartucho para el filtro de aire que no sea original. Limpie y/o cambie el filtro según los intervalos recomendados de acuerdo a lo establecido en el Manual del Operador.
- 7 Partes dañadas por velocidad excesiva o recalentamiento causado por residuos de grama, desechos o suciedades los cuales tapan u obstruyen las aletas de enfriamiento, o el área de la volante, o por daños causados por operar el motor en un área confinada sin la suficiente ventilación. Limpie los desechos del motor según los intervalos recomendados de acuerdo a lo establecido en el Manual del Operador.
- 8 Partes del motor o del equipo quebradas por vibración excesiva causada por un montaje flojo del motor, cuchillas de corte flojas, cuchillas o impulsores flojos o no balanceados, fijación incorrecta del equipo al cigüeñal del motor, velocidad excesiva u otro abuso en la operación.
- 9 Un cigüeñal deformado o quebrado causado por golpear con un objeto sólido la cuchilla de corte de una máquina cortacésped rotante, o por tensión excesiva de las correas en v.
- 10 Afinación o ajuste de rutina del motor.

**El servicio de garantía está disponible solamente a través de los Distribuidores de Servicio Autorizados por Briggs & Stratton. Póngase en contacto con su Distribuidor de Servicio Autorizado más cercano en nuestro mapa de localización de distribuidores en BRIGGSandSTRATTON.COM, o llamando al 1-800-233-3723 (en los EE.UU.).**



### Información general

La EPA de los EE. UU. y Briggs & Stratton (B&S) le explican a continuación la garantía del sistema de control de emisiones de su motor/equipo modelo 2013 y posteriores. En los Estados Unidos, los motores nuevos de reserva de emergencia deben ser diseñados, fabricados y equipados de tal forma que cumplan con estrictas normas sobre emisiones. Los motores de menos de 25 Hp deben cumplir con los requisitos del CFR, título 40, parte 1054. Los motores de más de 25 Hp y menos de 130 Hp deben cumplir con los requisitos del CFR, título 40, parte 1048. B&S debe garantizar el sistema de control de emisiones en el motor/equipo.

Consulte más abajo la sección Definición para conocer el uso adecuado de la reserva de emergencia.

La garantía relacionada con las emisiones cubre todos los componentes que, al fallar, provocan el aumento de las emisiones no evaporativas del motor de cualquier contaminante regulado que se mencione más adelante.

### Cobertura de la garantía del fabricante:

Briggs & Stratton garantiza que el motor no tiene ningún defecto de material ni mano de obra, y que también está diseñado, fabricado y equipado según las normativas vigentes de la Sección 213 de la Ley de Aire Limpio, desde el momento de la venta del motor hasta el vencimiento del período de su garantía.

Esta garantía se aplica a todos los componentes del motor asociados con la producción de emisiones que, al fallar, provocan que las emisiones del escape del motor no cumplan con lo establecido por la EPA. Además, esta garantía también se aplica a otros componentes del motor dañados debido al fallo de cualquiera de estos componentes asociados con la producción de emisiones.

Si un componente del motor asociado con la producción de emisiones y cubierto por la garantía está defectuoso, B&S reparará o reemplazará la pieza sin ningún coste para usted, incluidos el diagnóstico, las piezas y la mano de obra.

El período de cobertura de la garantía es de cuatro años, a partir de la fecha de compra original, y se ofrece al comprador original y a cada comprador posterior, siempre y cuando se cumplan las responsabilidades del propietario con respecto a la garantía.

### Responsabilidades del propietario con respecto a la garantía:

- Las reclamaciones de garantía se presentarán de conformidad con las disposiciones de la política de garantías de Briggs & Stratton.
- Un motor puede no estar cubierto por la garantía si fue objeto de abuso, uso indebido, descuido, mantenimiento incorrecto, modificaciones no aprobadas, accidentes no provocados por motores o equipo de Briggs & Stratton o por hechos fortuitos.
- La garantía sólo cubrirá los motores usados como motores estacionarios de emergencia, según se define más adelante.
- Usted es responsable de presentar su motor/equipo a un centro de distribución de B&S, distribuidor autorizado de servicio u otra entidad equivalente, según corresponda, en el momento en que surja un problema. Las reparaciones cubiertas por la garantía se llevarán a cabo en un plazo razonable no superior a 30 días. En caso de tener preguntas sobre los derechos y responsabilidades relativos a la garantía, póngase en contacto con B&S llamando al 1-800-233-3723 (en los EE.UU.) o en BRIGGSandSTRATTON.COM.
- Si se repara o reemplaza algún componente no programado para mantenimiento mediante esta garantía, la nueva pieza tendrá garantía sólo durante el período de garantía restante.
- Si un componente cubierto por la garantía programado para mantenimiento falla antes de que se realice el primer reemplazo programado, B&S reparará o reemplazará la pieza sin ningún coste para el propietario. Cualquier componente de ese tipo está cubierto por la garantía sólo hasta que haya vencido el período de mantenimiento programado originalmente.
- No se podrán utilizar piezas complementarias o modificadas no exentadas por la EPA. Si el propietario usa piezas complementarias o modificadas no exentas dará lugar a la anulación de la reclamación de garantía. El fabricante no será responsable de los fallos o piezas cubiertas por la garantía que se deban al uso de una pieza complementaria o modificada no exenta.

### Definición del motor de reserva de emergencia

Un motor estacionario de emergencia se define como cualquier motor de combustión interna estacionario cuya operación está limitada a situaciones de emergencia y a la realización de pruebas y tareas de mantenimiento requeridas. Algunos ejemplos serían los motores estacionarios que se utilizan para generar energía para redes o equipo crítico (incluida la energía suministrada a algunas partes dentro de una instalación), cuando se interrumpe la energía eléctrica del servicio público local (o la fuente normal de energía eléctrica, si el lugar genera su propia energía), o cuando se utilizan motores estacionarios para bombear agua en caso de incendio, inundación, etc. Los motores estacionarios que se usan para nivelar los picos de voltaje no se consideran motores estacionarios de emergencia. No se consideran motores de emergencia los motores estacionarios que se usan para suministrar energía a una red eléctrica o los que suministran energía como parte de un acuerdo económico con otra entidad. Los ICE estacionarios de emergencia se pueden utilizar para realizar verificaciones de mantenimiento y pruebas de disponibilidad, siempre y cuando las pruebas sean las recomendadas por el gobierno federal, estatal o local, por el fabricante, el vendedor o la compañía de seguro relacionada con el motor. Las verificaciones de mantenimiento y las pruebas de disponibilidad de dichas unidades están limitadas a 100 horas por año. No hay límite de tiempo en relación con el uso de los motores estacionarios de emergencia en caso de que se presente alguna emergencia. El propietario u operario puede solicitar al administrador su aprobación para extender las horas de uso del motor a fin de realizar verificaciones de mantenimiento y pruebas de disponibilidad, pero la petición no es necesaria si el propietario u operario mantienen registros que indiquen que las normas federales, estatales o locales requieren que se realice mantenimiento y pruebas del ICE de emergencia de más de 100 horas por año. Los ICE estacionarios de emergencia pueden funcionar durante un máximo de 50 horas por año en situaciones que no sean de emergencia, pero dichas 50 horas se incluirán dentro de las 100 horas por año que se tienen para mantenimiento y pruebas. Las 50 horas por año para casos que no son de emergencia no se pueden usar para nivelar picos de voltaje ni para generar ingresos para una instalación por suministrar energía a una red eléctrica o bien, para suministrar energía eléctrica como parte de un acuerdo económico con otra entidad. Para los propietarios y operarios de motores de emergencia, queda prohibida toda operación que no sea una operación de emergencia, mantenimiento o prueba, así como el funcionamiento del motor en situaciones que no sean de emergencia durante 50 horas por año, como se indica anteriormente.

## Informations générales

Ce manuel contient des informations concernant la sécurité visant à attirer l'attention des usagers sur les dangers et les risques associés aux moteurs. Il contient aussi des instructions d'utilisation et d'entretien appropriées à ce moteur. Briggs & Stratton Corporation ne sachant pas forcément sur quel équipement ce moteur est monté, il est important de lire et de comprendre ces instructions ainsi que celles concernant l'équipement utilisé. **Conserver ces instructions originales pour un usage ultérieur.**

Pour obtenir des pièces de rechange ou une assistance technique, reporter ici les numéros de Modèle, Type et Code du moteur ainsi que la date d'achat. Ces numéros sont situés sur le moteur (voir la page **Caractéristiques et commandes**).

Date d'achat: \_\_\_\_\_  
JJ/MM/AAAA

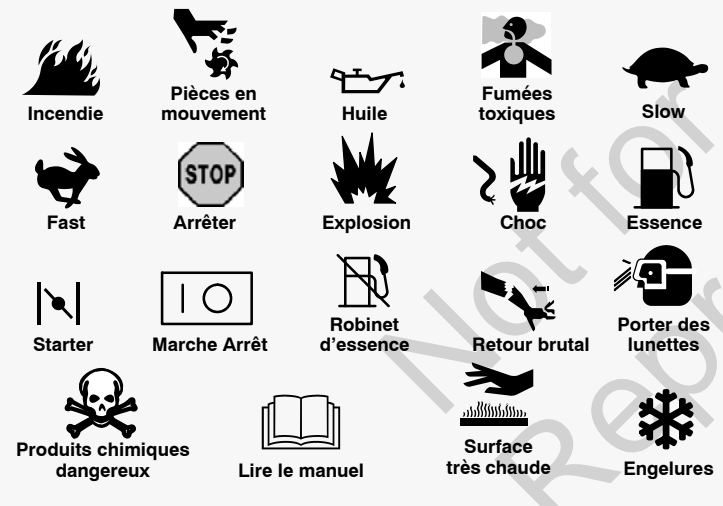
Modèle de moteur: \_\_\_\_\_  
Modèle: Type: Code:


Rechercher le code-barres 2D placé sur certains moteurs. Lorsqu'il est lu par un lecteur 2D compatible, le code renvoie vers notre site internet sur lequel vous trouverez des informations pratiques sur le produit en question. En fonction des débits. Il se peut que ces informations soient indisponibles dans certains pays.





## Sécurité de l'utilisateur


### SYMBOLES DE SÉCURITÉ ET DE COMMANDE




Le symbole d'alerte de sécurité  est utilisé pour identifier des informations sur des risques qui peuvent entraîner des blessures. Un mot (DANGER, AVERTISSEMENT, ATTENTION) est utilisé avec le symbole d'alerte pour indiquer le risque de blessure. En outre, un signal de danger peut être utilisé pour représenter le type de risque.

 **DANGER** indique un risque qui, s'il n'est pas éliminé, **entraînera la mort ou des blessures très graves.**

 **AVERTISSEMENT** indique un risque qui, s'il n'est pas éliminé, **pourrait entraîner la mort ou des blessures très graves.**

 **ATTENTION** indique un risque qui, s'il n'est pas éliminé, **pourrait entraîner des blessures mineures ou légères.**

**AVIS** indique une situation qui **pourrait endommager l'appareil.**

 **AVERTISSEMENT**  
Certains composants de ce produit et de ses accessoires contiennent des produits chimiques connus dans l'État de Californie pour provoquer des cancers et des troubles de la procréation. Se laver les mains après chaque manipulation.



### AVERTISSEMENT

Les gaz d'échappement de ce moteur contiennent des substances chimiques pouvant causer des cancers, des malformations fœtales ou d'autres problèmes de fécondation.





### AVERTISSEMENT

Les moteurs Briggs & Stratton ne sont pas conçus et ne doivent pas être utilisés pour alimenter les karts de loisir, les véhicules tout-terrain à destination des enfants ou usage récréatif ou sportif, les motocyclettes, les aéroglisseurs, les aéroplanes ou les véhicules utilisés au cours de compétitions non approuvées par Briggs & Stratton. Pour plus d'informations sur les produits destinés à la compétition, prière de consulter [www.briggsracing.com](http://www.briggsracing.com). Pour une utilisation avec les véhicules tout-terrain utilitaires et biplace côte à côte (SSV), prière de contacter Briggs & Stratton Engine Application Center, 1-866-927-3349. Une application inappropriée du moteur peut entraîner des blessures graves ou mortelles.

**AVIS:** Ce moteur a été expédié par Briggs & Stratton sans huile. Avant de le démarrer, s'assurer d'avoir fait le plein d'huile selon les instructions de ce manuel. Si le moteur est démarré sans huile, il sera endommagé irrémédiablement et ne sera pas couvert par la garantie.



### AVERTISSEMENT

 **Le combustible et ses vapeurs sont extrêmement inflammables et explosifs.**  
 **Un incendie ou une explosion peut entraîner des blessures très graves ou même la mort.**

#### Pour faire le plein

- Remplir le réservoir de carburant à l'extérieur ou dans un local extrêmement bien ventilé.
- Contrôler que les durites, le réservoir, le bouchon et les raccords de carburant ne présentent ni fissures ni fuites. Remplacer si nécessaire.

#### Pour démarrer le moteur

- S'assurer que la bougie, le bouchon du réservoir de carburant et le filtre à air sont le cas échéant montés et solidement fixés.
- Ne pas faire tourner le moteur avec la bougie enlevée.

#### Lors de l'utilisation de l'équipement

- Ne pas démarrer ou faire fonctionner un moteur sans filtre à air ou avec le filtre à air enlevé (le cas échéant).

#### Pour transporter l'équipement

- Pour les moteurs à gaz naturel/GPL, transporter avec le cylindre de carburant vide, le robinet fermé ou le réservoir débranché.

#### Pour stocker du carburant ou l'équipement avec un réservoir plein

- Les ranger loin des chaudières, cuisinières, chauffe-eau ou tout autre appareil comportant une veilleuse ou une source susceptible de produire une étincelle, car ils pourraient enflammer les vapeurs de carburant.



### AVERTISSEMENT



**Le démarrage du moteur produit des étincelles. Les étincelles peuvent enflammer les gaz inflammables à proximité. Ceci pourrait provoquer une explosion ou un incendie.**

- S'il y a une fuite de gaz naturel ou de GPL à proximité, ne pas démarrer le moteur.
- Ne pas utiliser de liquides de démarrage sous pression car leurs vapeurs sont inflammables.



### AVERTISSEMENT



**RISQUE DE GAZ TOXIQUE. Les gaz d'échappement du moteur contiennent du monoxyde de carbone, un gaz toxique qui peut tuer en quelques minutes. Ce gaz est INVISIBLE, SANS odeur et SANS goût. Une personne peut être exposée au monoxyde de carbone même si elle ne sent pas de gaz d'échappement. Dès les premiers signes de nausées, étourdissements ou faiblesses en cours d'utilisation, arrêter le produit et sortir IMMÉDIATEMENT à l'air frais. Consulter un médecin. Il peut s'agir d'une intoxication au monoxyde de carbone.**

- Faire fonctionner ce produit UNIQUEMENT à l'écart des fenêtres, portes et ventilations afin de réduire le risque que le monoxyde de carbone ne s'accumule et ne pénètre dans les espaces occupés.
- Installer des alarmes de monoxyde de carbone fonctionnant sur piles ou sur secteur avec pile de secours conformément aux instructions du fabricant. Les détecteurs de fumée ne peuvent pas détecter le monoxyde de carbone.
- NE PAS faire fonctionner ce produit à l'intérieur des maisons, garages, caves, vides sanitaires, cabanes ou autres lieux partiellement fermés même si des ventilateurs sont utilisés ou si portes et fenêtres sont ouvertes pour créer une ventilation. Le monoxyde de carbone peut rapidement s'accumuler dans ces espaces et y stagner pendant des heures, même après extinction de ce produit.
- Placer SYSTÉMATIQUEMENT ce produit dans la direction du vent et diriger les gaz d'échappement du moteur à l'écart des espaces occupés.



### AVERTISSEMENT



**La rétraction rapide de la corde de lanceur (retour brutal) tirera votre main et votre bras vers le moteur beaucoup plus vite que vous ne pourrez les laisser partir.**

**Ceci pourrait entraîner des fêlures, des fractures, des ecchymoses ou des foulures.**

- Pour démarrer le moteur, tirer lentement sur la corde jusqu'à sentir une résistance et tirer alors rapidement afin d'éviter l'effet de rétraction.
- Retirer tout équipement extérieur/charge avant de démarrer le moteur.
- Les composants directement couplés à l'équipement, tels que lames, turbines, poulies, engrenages, etc. sans que cette liste soit limitative, devront être fermement arrimés.



### AVERTISSEMENT



**Les pièces en rotation peuvent toucher ou saisir les mains, les pieds, les cheveux, les vêtements ou les accessoires.**

**Le résultat peut en être une amputation ou une lacération grave.**

- Ne faire fonctionner l'équipement qu'avec les protections en place.
- Ne pas approcher les mains ou les pieds des pièces en mouvement.
- Attacher les cheveux longs et retirer les bijoux.
- Ne pas porter de vêtements amples, de ceintures larges pendantes ou tout vêtement pouvant être saisi.



### AVERTISSEMENT



**Un moteur en marche produit de la chaleur. Les pièces du moteur, et plus particulièrement le silencieux, deviennent extrêmement chaudes.**

**Les toucher peut provoquer des brûlures sévères.**



**Les débris combustibles comme les feuilles, l'herbe, les broussailles peuvent s'enflammer.**

- Laisser le silencieux, le cylindre du moteur et les ailettes refroidir avant de les toucher.
- Retirer les débris accumulés autour du silencieux et du cylindre.
- La Section 4442 du California Public Resource Code (Code des ressources publiques de Californie) interdit l'utilisation ou le fonctionnement du moteur dans des espaces recouverts de forêts, de broussailles ou d'herbe sauf si le système d'échappement est équipé d'un pare-étincelles, tel que défini dans la Section 4442, en bon état de fonctionnement. D'autres états ou juridictions fédérales peuvent appliquer des lois similaires. Contacter le fabricant, le distributeur ou le fournisseur d'origine de l'équipement pour obtenir un pare-étincelles conçu pour le système d'échappement installé sur ce moteur.



### AVERTISSEMENT



**Une étincelle accidentelle peut provoquer un incendie ou un choc électrique.**



**Un démarrage accidentel peut causer un étranglement, l'amputation ou la lacération d'un membre.**



**Risque d'incendie**

#### Avant d'effectuer des réglages ou des réparations

- Débrancher le fil de bougie et l'attacher à bonne distance de la bougie.
- Débrancher le câble Négatif de la batterie (seulement pour les moteurs à démarrage électrique).
- N'utiliser que les outils corrects.
- Ne pas modifier les ressorts du régulateur, les tringles et autres pièces pour augmenter le régime du moteur.
- Les pièces de rechange doivent être strictement identiques et être installées dans la même position que les pièces d'origine. Des pièces autres risquent de ne pas fonctionner aussi bien, d'endommager l'unité et d'entraîner des blessures.
- Ne pas taper sur le volant moteur avec un marteau ou un objet dur cela pourrait entraîner une rupture ultérieure du volant pendant que le moteur fonctionne.

#### Contrôle de l'étincelle

- Utiliser un contrôleur homologué.
- Ne pas contrôler l'étincelle avec la bougie retirée.



### AVERTISSEMENT



**Les combustibles gazeux sont extrêmement inflammables et forment facilement un mélange air-vapeur explosif à la température ambiante.**

#### Si cela sent le gaz:

- **Ne pas** démarrer le moteur.
- **Ne pas** manipuler d'interrupteur électrique.
- **Ne pas** utiliser de téléphone à proximité.
- Évacuer la zone.
- Prendre contact avec la compagnie du gaz ou avec les pompiers.



### AVERTISSEMENT



**Porter des lunettes de protection pour faire des réparations.**

**Le contact du gaz liquéfié sur la peau ou les yeux peut provoquer des engelures.**

- L'installation, les réglages et les réparations doivent être effectués par un technicien qualifié.
- Vérifier régulièrement les Durits d'alimentation pour s'assurer qu'elles sont en bon état. Remplacer les composants endommagés ou présentant des fuites.



### AVERTISSEMENT



**Un «détendeur» enlevé ou ne fonctionnant pas, peut provoquer une explosion ou un incendie.**

- **Ne pas** faire fonctionner l'équipement si le «détendeur» a été enlevé ou ne fonctionne pas.

# Caractéristiques et commandes

Comparer l'illustration **1** avec votre moteur pour vous familiariser avec l'emplacement des différents composants et commandes.

- A. Identification du moteur  
**Modèle Type Code**
- B. Bougie
- C. Filtre à air à dimensions réduites
- D. Jauge à huile
- E. Remplissage d'huile
- F. Filtre à huile
- G. Bouchon de vidange
- H. Capteur de pression d'huile
- I. Protège-doigts/grille de volant
- J. Démarreur électrique
- K. Solénoïde du démarreur
- L. Régulateur/redresseur
- M. Diffuseur GPL/GN
- N. Refroidisseur d'huile
- O. Silencieux d'échappement

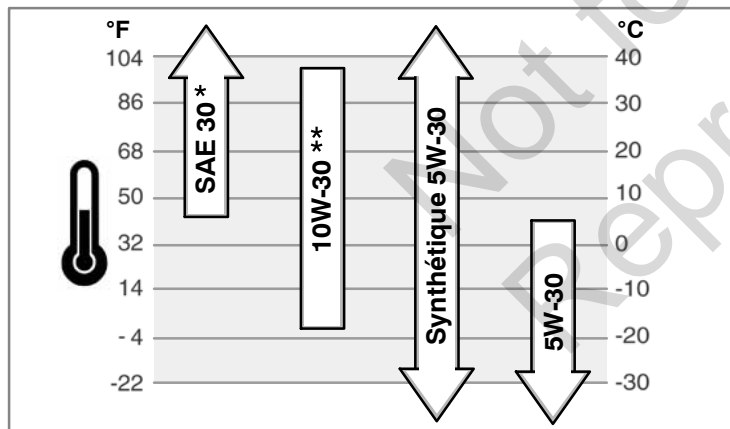
## Fonctionnement

Capacité d'huile (voir la section **Spécifications**)

### Recommandations concernant l'huile

Nous recommandons l'utilisation des huiles certifiées par Briggs & Stratton pour obtenir les meilleures performances. D'autres huiles détergentes de qualité sont acceptables si elles sont classées SF, SG, SH, SJ ou au-delà. Ne pas utiliser d'additifs.

La température extérieure détermine la viscosité de l'huile moteur. Utiliser le tableau pour sélectionner la viscosité qui convient à la température extérieure prévue.



\* L'emploi d'huile SAE 30 au-dessous de 4°C (40°F) rend le démarrage difficile.

\*\* L'utilisation d'une huile 10W-30 à des températures supérieures à 27°C (80°F) entraînera une consommation d'huile supérieure à la normale. Vérifier le niveau d'huile plus souvent.

### Vérification/Plein d'huile - Figure 2

#### Avant de vérifier ou de faire le plein d'huile

- Mettre le moteur de niveau.
- Nettoyer le pourtour de l'orifice de remplissage de tout débris.
- 1. Sortir la jauge (A) et la nettoyer avec un chiffon propre (Figure 2).
- 2. Mettre la jauge et la serrer.
- 3. Retirer la jauge et vérifier le niveau. L'huile doit être au ras de l'indicateur de niveau maximum (B) de la jauge.
- 4. S'il est bas, verser doucement de l'huile dans l'orifice de remplissage du moteur (C). **Ne pas trop remplir.** Après avoir ajouté de l'huile, attendre une minute et revérifier le niveau d'huile.
- 5. Remettre la jauge et la serrer.

### Système de détection de niveau d'huile bas (le cas échéant)

Certains moteurs sont équipés d'un capteur de niveau d'huile bas. Si le niveau d'huile est bas, le capteur active un témoin lumineux ou arrête le moteur. Éteindre le moteur et suivre les étapes suivantes avant de redémarrer le moteur.

- S'assurer que le moteur est horizontal.
- Vérifier le niveau d'huile. Voir la section **Vérification/Plein d'huile**.
- Si le niveau d'huile est bas, ajouter la quantité d'huile adéquate. Démarrer le moteur et s'assurer que le témoin lumineux (le cas échéant) n'est pas allumé.
- Si le niveau d'huile n'est pas bas, **ne pas démarrer** le moteur. Contacter un Réparateur Agréé Briggs & Stratton pour corriger le problème lié à l'huile.

### Recommandations concernant le carburant



#### AVERTISSEMENT



Un «détendeur» enlevé ou ne fonctionnant pas, peut provoquer une explosion ou un incendie.

- **Ne pas** faire fonctionner l'équipement si le «détendeur» a été enlevé ou ne fonctionne pas.

#### Le carburant doit répondre aux critères suivants:

- Utiliser un carburant récent, propre, sans humidité ni particules solides. Le fait d'utiliser des carburants qui ne correspondent pas aux spécifications requises peut entraîner des problèmes de performances.
- Pour les moteurs qui sont réglés pour fonctionner au GPL, la qualité recommandée est HD5 GPL. La composition recommandée pour ce carburant doit permettre de disposer d'une énergie minimale de 18 Kcal/m<sup>3</sup>, d'une concentration maximale de propylène de 5% de butane et de gaz lourd de 2,5% et d'une concentration minimale de propane de 90%.

Les moteurs GN ou GPL sont certifiés fonctionner au gaz naturel ou au gaz de pétrole liquéfié. Le système de contrôle des émissions de ce moteur est EM (Modifications Moteur).



#### AVERTISSEMENT: L'équipement sur lequel ce moteur est monté est

équipé d'une «valve» automatique de sécurité. Ne pas le faire fonctionner si le «clapet de sécurité» a été enlevé ou ne fonctionne pas.

### Plein d'essence



#### AVERTISSEMENT



Le combustible et ses vapeurs sont extrêmement inflammables et explosifs.

Un incendie ou une explosion peut entraîner des blessures très graves ou même la mort.

#### Pour faire le plein

- Remplir le réservoir de carburant à l'extérieur ou dans un local extrêmement bien ventilé.
- Contrôler que les durites, le réservoir, le bouchon et les raccords de carburant ne présentent ni fissures ni fuites. Remplacer si nécessaire.

Pour plus d'informations sur le plein de gaz naturel ou de GPL, lire les instructions fournies par le constructeur de l'équipement.

### Démarrage et arrêt du moteur



#### AVERTISSEMENT



Le combustible et ses vapeurs sont extrêmement inflammables et explosifs.

Un incendie ou une explosion peut entraîner des blessures très graves ou même la mort.

#### Pour démarrer le moteur

- S'assurer que la bougie, le bouchon du réservoir de carburant et le filtre à air sont le cas échéant montés et solidement fixés.
- Ne pas faire tourner le moteur avec la bougie enlevée.



## AVERTISSEMENT



**RISQUE DE GAZ TOXIQUE.** Les gaz d'échappement du moteur contiennent du monoxyde de carbone, un gaz toxique qui peut tuer en quelques minutes. Ce gaz est INVISIBLE, SANS odeur et SANS goût. Une personne peut être exposée au monoxyde de carbone même si elle ne sent pas de gaz d'échappement. Dès les premiers signes de nausées, étourdissements ou faiblesses en cours d'utilisation, arrêtez le produit et sortez IMMÉDIATEMENT à l'air frais. Consultez un médecin. Il peut s'agir d'une intoxication au monoxyde de carbone.

- Faire fonctionner ce produit UNIQUEMENT à l'écart des fenêtres, portes et ventilations afin de réduire le risque que le monoxyde de carbone ne s'accumule et ne pénètre dans les espaces occupés.
- Installer des alarmes de monoxyde de carbone fonctionnant sur piles ou sur secteur avec pile de secours conformément aux instructions du fabricant. Les détecteurs de fumée ne peuvent pas détecter le monoxyde de carbone.
- NE PAS faire fonctionner ce produit à l'intérieur des maisons, garages, caves, vides sanitaires, cabanes ou autres lieux partiellement fermés même si des ventilateurs sont utilisés ou si portes et fenêtres sont ouvertes pour créer une ventilation. Le monoxyde de carbone peut rapidement s'accumuler dans ces espaces et y stagner pendant des heures, même après extinction de ce produit.
- Placer SYSTÉMATIQUEMENT ce produit dans la direction du vent et diriger les gaz d'échappement du moteur à l'écart des espaces occupés.

**AVIS:** Ce moteur a été expédié de chez Briggs & Stratton sans huile. Avant de le démarrer, s'assurer d'avoir fait le plein d'huile selon les instructions de ce manuel. Si le moteur est démarré sans huile, il sera endommagé irrémédiablement et ne sera pas couvert par la garantie.

Se reporter aux instructions fournies par le constructeur de l'équipement pour le démarrage et l'arrêt du moteur.

## Entretien

Il est recommandé de consulter un Réparateur Agréé Briggs & Stratton pour tout l'entretien du moteur et l'acquisition de pièces.

**AVIS:** Tous les composants de ce moteur doivent rester à leur place d'origine pour que le moteur fonctionne correctement.

### Contrôle des émissions

L'entretien, le remplacement ou la réparation des dispositifs et des systèmes de contrôle des émissions gazeuses peut être effectué par tout établissement ou individu spécialisé dans la réparation des moteurs autres que les moteurs automobiles. Néanmoins, pour que les réparations soient prises en charge par Briggs & Stratton au titre de la garantie, l'intervention doit être effectuée par un Réparateur Agréé. Voir la garantie des émissions.



## AVERTISSEMENT



Une étincelle accidentelle peut provoquer un incendie ou un choc électrique.



Un démarrage accidentel peut causer un étranglement, l'amputation ou la lésion d'un membre.



Risque d'incendie

### Avant d'effectuer des réglages ou des réparations

- Débrancher le fil de bougie et l'attacher à bonne distance de la bougie.
- Débrancher le câble Négatif de la batterie (seulement pour les moteurs à démarrage électrique).
- N'utiliser que les outils corrects.
- Ne pas modifier les ressorts du régulateur, les tringles et autres pièces pour augmenter le régime du moteur.
- Les pièces de rechange doivent être strictement identiques et être installées dans la même position que les pièces d'origine. Des pièces autres risquent de ne pas fonctionner aussi bien, d'endommager l'unité et d'entraîner des blessures.
- Ne pas taper sur le volant moteur avec un marteau ou un objet dur cela pourrait entraîner une rupture ultérieure du volant pendant que le moteur fonctionne.

### Contrôle de l'étincelle

- Utiliser un contrôleur homologué.
- Ne pas contrôler l'étincelle avec la bougie retirée.

## Tableau d'entretien

### Après les 5 premières heures

- Vidanger l'huile

### Toutes les 8 heures ou chaque jour

- Vérifier le niveau d'huile du moteur.
- Nettoyer aux alentours du silencieux et des commandes

### Toutes les 100 heures ou une fois par an

- Nettoyer ou changer le filtre à air \* ▲
- Changer le filtre à air
- Remplacer la bougie
- Inspecter le silencieux d'échappement et l'écran pare-étincelles

### Toutes les 250 heures ou une fois par an

- Contrôler le jeu des soupapes. Régler si nécessaire.

### Toutes les 400 heures ou une fois par an

- Vidanger l'huile moteur et changer le filtre ▲
- Nettoyer le système de refroidissement par air \*
- Nettoyer les ailettes du refroidisseur d'huile \*

\* Nettoyer plus souvent dans des conditions d'utilisation en atmosphère poussiéreuse ou chargée de débris aériens.

## Remplacement de la bougie - Figure 3

Vérifier l'écartement des électrodes (A, Figure 3) avec une jauge à fil (B). Le cas échéant, régler l'écartement. Remettre la bougie et la serrer au couple recommandé. Pour régler l'écartement et trouver le couple de serrage, voir la section **Spécifications**. *Remarque:* Dans certains pays, la législation impose l'emploi de bougies à résistance pour supprimer les parasites de l'allumage. Si ce moteur était équipé d'une bougie avec résistance, utiliser le même type de bougie lors de son remplacement.

## Inspecter le silencieux et le pare-étincelles - Figure 4



## AVERTISSEMENT



Un moteur en marche produit de la chaleur. Les pièces du moteur, et plus particulièrement le silencieux, deviennent extrêmement chaudes. Les toucher peut provoquer des brûlures sévères.



Les débris combustibles comme les feuilles, l'herbe, les broussailles peuvent s'enflammer.

- Laisser le silencieux, le cylindre du moteur et les ailettes refroidir avant de les toucher.
- Retirer les débris accumulés autour du silencieux et du cylindre.
- La Section 4442 du California Public Resource Code (Code des ressources publiques de Californie) interdit l'utilisation ou le fonctionnement du moteur dans des espaces recouverts de forêts, de broussailles ou d'herbe sauf si le système d'échappement est équipé d'un pare-étincelles, tel que défini dans la Section 4442, en bon état de fonctionnement. D'autres états ou juridictions fédérales peuvent appliquer des lois similaires. Contacter le fabricant, le distributeur ou le fournisseur d'origine de l'équipement pour obtenir un pare-étincelles conçu pour le système d'échappement installé sur ce moteur.

Retirer les débris accumulés autour du silencieux et du cylindre. Inspecter le silencieux (A, Figure 4) à la recherche de fissures, de corrosion ou autre dommage. Enlever le pare-étincelles (B), le cas échéant, et inspecter s'il est endommagé ou obstrué par des dépôts de carbone. En présence de pièces endommagées, les remplacer avant toute utilisation.



**AVERTISSEMENT:** Les pièces de rechange doivent être strictement identiques et être installées dans la même position que les pièces d'origine. Des pièces autres risquent de ne pas fonctionner aussi bien, d'endommager l'unité et d'entraîner des blessures.

## Changement d'huile - Figure 5

L'huile usagée est un produit dangereux. S'en débarrasser correctement. Ne pas la jeter avec les ordures ménagères. Vérifier le lieu de collecte ou de recyclage avec les autorités locales, le centre de services ou le vendeur.

### Vidange de l'huile

1. Quand le moteur est arrêté mais encore chaud, débrancher le fil de bougie (A) et l'éloigner de la bougie (Figure 5).
2. Retirer le bouchon de vidange d'huile (B). Vidanger l'huile du moteur dans un récipient approuvé.
3. Quand l'huile a été vidangée, remettre le bouchon de vidange. Le serrer.

### Changer le filtre à huile

Tous les modèles sont équipés d'un filtre à huile. Pour connaître les intervalles de maintenance, se reporter au **Tableau d'entretien**.

1. Vidanger l'huile du moteur. Voir la section **Vidange de l'huile**.
2. Déposer le filtre à huile (C, Figure 5) et le jeter correctement.
3. Avant d'installer le nouveau filtre à huile, lubrifier légèrement le filtre avec de l'huile neuve.
4. Installer le filtre à huile à la main jusqu'à ce que le joint soit au contact de l'adaptateur du filtre puis visser le filtre de 1/2 à 3/4 tours.
5. Ajouter de l'huile. Voir la section **Faire le plein d'huile**.

- Démarrer puis faire tourner le moteur. Lorsque le moteur chauffe, détecter les éventuelles fuites d'huile.
- Arrêter le moteur et vérifier le niveau d'huile. L'huile doit être au ras de l'indicateur de niveau maximum (F) de la jauge.

### Faire le plein d'huile

- Mettre le moteur de niveau.
  - Nettoyer le pourtour de l'orifice de remplissage de tout débris.
  - Voir la capacité d'huile dans la section **Spécifications**.
- Sortir la jauge (D, Figure 5) et la nettoyer avec un chiffon propre.
  - Verser doucement l'huile dans l'orifice de remplissage (E). **Ne pas trop remplir.** Après avoir fait le plein d'huile, attendre une minute et revérifier le niveau d'huile.
  - Remettre la jauge et la visser.
  - Retirer la jauge et vérifier le niveau. L'huile doit être au ras de l'indicateur de niveau maximum (F) de la jauge.
  - Remettre la jauge et la visser.

### Entretien du filtre à air - Figure 6



#### AVERTISSEMENT



**Le combustible et ses vapeurs sont extrêmement inflammables et explosifs.**

**Un incendie ou une explosion peut entraîner des blessures très graves ou même la mort.**

- Ne pas démarrer ou faire fonctionner un moteur sans filtre à air ou avec le filtre à air enlevé (le cas échéant).

**AVIS:** Ne pas utiliser d'air comprimé ni de solvant pour nettoyer le filtre à air. L'air comprimé peut endommager le filtre, les solvants le dissoudre.

#### Système de filtre à air à dimensions réduites (Figure 6)

- Déposer l'écrou papillon (F) et le couvercle (G). Voir Figure 6.
- Déposer l'écrou (H) et le support (J).
- Déposer le filtre à air (K).
- Retirer le pré-filtre (L), le cas échéant, du filtre à air.
- Pour le nettoyer, le tapoter doucement contre une surface dure. Si le filtre à air est excessivement encrassé, le remplacer par un neuf.
- Nettoyer le pré-filtre dans de l'eau additionnée de détergent liquide. **Ne pas graisser le pré-filtre.**
- Assembler le pré-filtre sec sur le filtre à air.
- Installer le filtre à air et le fixer avec un support et un écrou.
- Remonter le couvercle et le fixer avec les écrous papillon.

## Spécifications

#### Spécifications du moteur

Modèle	540000
Cylindrée	54,68 ci (896 cc)
Alésage	3,366 in (85,5 mm)
Course	3,071 in (78,0 mm)
Capacité d'huile	78 - 80 oz (2,3 - 2,4 L)

#### Spécifications de réglage \*

Modèle	540000
Écartement des électrodes	0,020 in (0,51 mm)
Couple de serrage de la bougie	180 lb-in (20 Nm)
Entrefer bobine	0,005 - 0,008 in (0,13 - 0,20 mm)
Jeu de soupape d'admission	0,004 - 0,006 in (0,10 - 0,15 mm)
Jeu de soupape d'échappement	0,004 - 0,006 in (0,10 - 0,15 mm)

\* La puissance du moteur décroît de 3,5% par 300 mètres d'altitude au-dessus du niveau de la mer et de 1% par 5,6° C au-delà de 25° C. Le moteur fonctionne normalement jusqu'à 15° d'inclinaison. Voir le manuel d'utilisation de l'équipement pour les limites autorisées de fonctionnement en pente.

#### Pièces d'entretien courant ✓

Pièce d'entretien	Référence
Filtre à air à dimensions réduites - Groupe électrogène UL®	841856
Pré-filtre à dimensions réduites	692520
Huile - SAE 30	100028
Filtre à huile	842921

### Nettoyage du système de refroidissement par air - Figure 7



#### AVERTISSEMENT



**Un moteur en marche produit de la chaleur. Les pièces du moteur, et plus particulièrement le silencieux, deviennent extrêmement chaudes. Les toucher peut provoquer des brûlures sévères.**



**Les débris combustibles comme les feuilles, l'herbe, les broussailles peuvent s'enflammer.**

- Laisser le silencieux, le cylindre du moteur et les ailettes refroidir avant de les toucher.
- Retirer les débris accumulés autour du silencieux et du cylindre.

**AVIS:** Ne pas utiliser d'eau pour nettoyer le moteur. L'eau peut contaminer le système d'alimentation en essence. Utiliser une brosse ou un chiffon sec pour nettoyer le moteur.

Ce moteur est refroidi par air. De la poussière ou des débris peuvent affecter le débit d'air et faire chauffer le moteur, ce qui réduit ses performances et sa durée de vie.

Utiliser une brosse ou un chiffon sec pour enlever les débris du protège-doigts/grille de volant (A, Figure 7). Nettoyer les biellettes, les ressorts et les commandes. Ne pas laisser les débris combustibles s'accumuler autour et derrière le silencieux d'échappement (C). Vérifier que les ailettes du refroidisseur d'huile (D) sont exemptes de saletés et de débris.

#### Stockage



#### AVERTISSEMENT



**Le combustible et ses vapeurs sont extrêmement inflammables et explosifs.**



**Un incendie ou une explosion peut entraîner des blessures très graves ou même la mort.**

#### Pour stocker du carburant ou l'équipement avec un réservoir plein

- Les ranger loin des chaudières, cuisinières, chauffe-eau ou tout autre appareil comportant une veilleuse ou une source susceptible de produire une étincelle, car ils pourraient enflammer les vapeurs de carburant.

#### Huile moteur

Pendant que le moteur est encore chaud, changer l'huile du moteur.

#### Dépannage

Besoin d'aide? Aller sur [VanguardEngines.com](http://VanguardEngines.com) ou appeler (800) 999-9333 (aux États-Unis).

#### Spécifications du moteur

Modèle	610000
Cylindrée	60,60 ci (993 cc)
Alésage	3,366 in (85,5 mm)
Course	3,406 in (86,5 mm)
Capacité d'huile	78 - 80 oz (2,3 - 2,4 L)

#### Spécifications de réglage \*

Modèle	610000
Écartement des électrodes	0,020 in (0,51 mm)
Couple de serrage de la bougie	180 lb-in (20 Nm)
Entrefer bobine	0,005 - 0,008 in (0,13 - 0,20 mm)
Jeu de soupape d'admission	0,004 - 0,006 in (0,10 - 0,15 mm)
Jeu de soupape d'échappement	0,004 - 0,006 in (0,10 - 0,15 mm)

## GARANTIE LIMITÉE

Briggs & Stratton garantit que, pendant la période de garantie spécifiée ci-dessous, il remplacera ou réparera gratuitement toute pièce du moteur présentant un défaut de matière ou de fabrication ou les deux. Tous les frais de transport du produit destiné à être remplacé ou réparé au titre de la présente garantie restent à charge de l'acheteur. Cette garantie est applicable pendant la période et aux conditions prévues dans le présent document. Pour toute intervention sous garantie, cherchez le Réparateur Agréé Briggs & Stratton le plus proche dans la liste des Réparateurs Agréés sur notre site Internet BRIGGSandSTRATTON.COM. L'acheteur doit contacter le Réparateur Agréé puis mettre le moteur ou le produit à sa disposition pour inspection et essais.

**Il n'existe aucune autre garantie expresse. Les garanties implicites, y compris celles de la valeur marchande et d'adaptation à un objectif particulier, sont limitées à un an à partir de la date d'achat ou à la période légale admise. Toute autre garantie implicite est exclue. Notre responsabilité pour les dégâts provoqués par l'équipement ou les dommages-intérêts accessoires est exclue dans la limite des exclusions autorisées par la loi.** Certains pays ou États/provinces n'autorisent aucune restriction sur la durée d'une garantie implicite, et certains pays ou États/provinces n'autorisent pas l'exclusion ou la limitation des dommages accessoires ou indirects. Par conséquent, les restrictions et exclusions décrites ci-dessus pourraient ne pas s'appliquer dans certains cas. La présente garantie accorde également à l'utilisateur certains droits spécifiques auxquels peuvent également s'ajouter d'autres droits qui varient d'un pays ou d'un État à l'autre\*\*.

## CONDITIONS DE GARANTIE STANDARD \* ▲

Marque/Type de produit	Usage privé	Usage professionnel
Vanguard™ ■	3 ans	3 ans
Commercial Turf Series™	2 ans	2 ans
Extended Life Series™ ; I/C®; Intek™ I/C®; Intek™ Pro;™ Professional Series™ avec chemise en fonte Dura-Bore™ ; 850 Series™ avec chemise en fonte Dura-Bore™ ; Snow Series MAX™ avec chemise en fonte Dura-Bore™ Tous les autres moteurs Briggs & Stratton comportant une chemise en fonte Dura-Bore™	2 ans	1 an
Tous les autres moteurs Briggs & Stratton	2 ans	90 jours

\* Ces conditions sont nos conditions de garantie standard. Néanmoins, dans certains cas, nos produits peuvent bénéficier d'une couverture supplémentaire qui n'était pas déterminée au moment de la publication. Pour consulter les conditions de garantie actuelles de votre moteur, rendez-vous sur BRIGGSandSTRATTON.COM ou contactez le Réparateur Agréé Briggs & Stratton.

\*\* En Australie - Nos produits disposent de garanties qui ne peuvent être exclues dans le cadre du droit de la consommation australien. Vous êtes en droit de bénéficier d'un remplacement ou d'un remboursement pour une défaillance majeure, ou d'un dédommagement pour toute autre perte ou tout autre dommage raisonnablement prévisible. Vous êtes aussi en droit de bénéficier de la réparation ou du remplacement des produits si ceux-ci s'avèrent ne pas être de qualité acceptable et si la défaillance n'est pas majeure. Pour toute intervention sous garantie, cherchez le Réparateur Agréé Briggs & Stratton le plus proche en consultant la liste des Réparateurs sur BRIGGSandSTRATTON.COM, en composant le 1300 274 447, en envoyant un message électronique à salesenquiries@briggsandstratton.com.au, ou en écrivant directement à Briggs & Stratton Australia Pty Ltd, 1 Moorebank Avenue, Moorebank, NSW, Australie, 2170.

▲ Groupes électrogènes stationnaires: 2ans de garantie en usage privé. Pas de garantie en usage professionnel. Les équipements utilisés pour une alimentation principale en remplacement du réseau public d'électricité ne sont pas couverts par la présente garantie. **Les moteurs utilisés en compétition ou avec un but d'exploitation commerciale ou de location ne sont pas garantis.**

■ Vanguard installés sur les groupes électrogènes stationnaires: 2ans de garantie en usage privé, pas de garantie en usage professionnel. Vanguard installés sur des véhicules utilitaires: 2ans de garantie en usage privé, 2ans de garantie en usage professionnel. Vanguard 3cylindres refroidis à eau: consulter l'application de la garantie sur les moteurs Briggs & Stratton 3/LC.

La période de garantie débute à la date d'achat par l'acheteur particulier initial ou l'utilisateur professionnel final et continue pendant la période indiquée dans le tableau ci-dessus. «Usage privé» signifie utilisation pour l'entretien de sa résidence personnelle par un acheteur particulier. «Usage commercial» couvre toutes les autres utilisations, y compris dans un but commercial, de rentabilité ou de location. Dès qu'un moteur a servi à un usage commercial, il sera considéré comme moteur à usage commercial dans le cadre de la présente garantie.

**Pour tous les équipements fabriqués par Briggs & Stratton, l'enregistrement de la garantie n'est pas obligatoire pour qu'elle prenne effet. Conserver le reçu comme preuve d'achat. Si, lors d'une demande d'intervention sous garantie, la date initiale d'achat ne peut être fournie, la date de fabrication du produit sert de référence pour déterminer la période de garantie.**

## Au sujet de la garantie

Briggs & Stratton se fera un plaisir d'effectuer une réparation en garantie tout en déplorant les inconvénients qu'elle peut vous occasionner. Tout Réparateur Agréé peut effectuer des réparations en garantie. La plupart des réparations en garantie sont effectuées sans discussion mais il peut arriver que la demande de réparation en garantie soit injustifiée. Afin d'éviter tout malentendu entre les propriétaires de moteurs et les Réparateurs Agréés Briggs & Stratton, nous indiquons ci-après quelques-unes des causes de défaillance des moteurs pour lesquelles le remplacement ou la réparation ne sont pas couverts par la garantie.

**Usure normale:** Les moteurs, comme tous les dispositifs mécanisés, nécessitent un entretien régulier et le remplacement des pièces d'usure pour fonctionner correctement. Cette garantie ne couvre pas la réparation de pièces ou d'équipements usés par un usage normal. La garantie ne s'applique pas quand la défaillance du moteur est due à un abus, un manque d'entretien courant, l'expédition, la manutention, l'entreposage ou une mauvaise installation. Il en va de même si le numéro de série du moteur a été éliminé ou que le moteur a été modifié ou trafiqué.

**Entretien inadéquat:** La longévité d'un moteur dépend des conditions dans lesquelles il est utilisé et de l'entretien qu'il reçoit. Certaines applications, comme les motoculteurs, les pompes et les tondeuses, sont souvent utilisées dans un environnement poussiéreux ou sale, ce qui peut être la cause d'une usure pouvant paraître prématurée. Une telle usure, lorsqu'elle est consécutive à l'entrée de poussière, sable ou autre produit abrasif à cause d'un mauvais entretien, n'est pas couverte par la garantie.

**Cette garantie couvre uniquement les pièces défectueuses et/ou la main d'œuvre et pas le remplacement ou le remboursement de l'équipement sur lequel est monté le moteur. La garantie ne s'applique pas non plus aux réparations dues à:**

- 1 Des problèmes provoqués par l'emploi de pièces non d'origine Briggs & Stratton.
- 2 Les commandes de l'équipement ou les dispositifs qui empêchent le démarrage, perturbent le fonctionnement du moteur ou abrègent sa durée de vie. (Contactez le fabricant de l'équipement.)
- 3 Les fuites de carburateur, l'obstruction des Durits d'alimentation, le gommage des soupapes ou autres dommages provoqués par une essence contaminée ou trop vieille.

- 4 Les pièces qui seraient rayées ou cassées du fait du fonctionnement du moteur avec un manque d'huile ou d'une huile polluée, ou encore d'un indice de viscosité de l'huile inadéquat (vérifier et refaire le niveau quand c'est nécessaire et vidanger aux périodes recommandées). Le dispositif OIL GARD peut ne pas couper un moteur en marche. Le moteur peut être endommagé si le niveau d'huile n'est pas maintenu régulièrement.
- 5 La réparation ou le réglage de pièces ou d'un groupe de pièces associées tels que les embrayages, transmissions, commandes à distance, etc., qui ne sont pas fabriqués par Briggs & Stratton.
- 6 Les dommages ou l'usure de pièces provoqués par la pénétration de poussière due au manque d'entretien ou au mauvais montage du filtre à air ou à l'emploi d'un élément ou d'une cartouche de filtre à air non d'origine. Aux intervalles recommandés, nettoyer et/ou remplacer le filtre comme indiqué dans le manuel d'utilisation.
- 7 Les pièces endommagées suite à un sursrégime ou une surchauffe provoqués par l'obstruction des ailettes de refroidissement et de la zone du volant par des débris d'herbe ou de la poussière ou par l'utilisation du moteur dans un local fermé insuffisamment ventilé. Nettoyer les débris aux intervalles recommandés comme indiqué dans le manuel d'utilisation.
- 8 Le bris de pièces du moteur ou de l'équipement dû à des vibrations excessives résultant d'un serrage insuffisant des boulons de fixation du moteur, d'une lame ou d'une turbine desserrée ou mal équilibrée, d'une mauvaise adaptation de l'équipement sur le vilebrequin du moteur, d'un sursrégime ou d'une mauvaise utilisation.
- 9 Vilebrequin faussé ou cassé suite au choc de la lame d'une tondeuse rotative sur un corps dur, ou d'une courroie trapézoïdale trop tendue.
- 10 Réglage ou mise au point normale du moteur.

**Les interventions sous garantie ne sont effectuées que par les Réparateurs Agréés de Briggs & Stratton. Recherchez-les dans la liste des Réparateurs Agréés Briggs & Stratton sur notre site Internet BRIGGSandSTRATTON.com ou en composant le 1-800-233-3723 (aux États-Unis).**

### Généralités

L'U.S. EPA et Briggs & Stratton (B&S) sont heureux de vous expliquer la garantie couvrant le dispositif antipollution du modèle 2013 ou ultérieur de votre moteur de génératrice ou matériel. Aux États-Unis, les nouveaux moteurs de génératrice d'urgence doivent être conçus, construits et équipés de façon à respecter des normes d'émission rigoureuses. Les moteurs de génératrice de moins de 25 Hp doivent satisfaire les exigences de 40 CFR, Partie 1054. Les moteurs de génératrice qui excèdent 25 Hp et moins de 130 Hp doivent satisfaire 40 CFR, Partie 1048. B&S doit garantir le dispositif antipollution de votre moteur de génératrice/matériel.

Consultez la définition de l'utilisation adéquate de la génératrice d'urgence ci-dessous.

La garantie liée au dispositif antipollution couvre toutes les pièces dont la défectuosité éventuelle augmenterait les émissions non reliées au système d'évaporation d'un moteur de génératrice de toute matière polluante réglementée citée en référence ci-dessous.

### Couverture de garantie du fabricant :

Briggs & Stratton garantit que le moteur de la génératrice est exempt de tout défaut de matériel et de main-d'œuvre, et qu'il est également conçu, construit et équipé de façon à respecter toutes les normes adoptées en vertu de l'article 213 de la Loi sur la qualité de l'air, et ce, dès la vente du moteur de la génératrice jusqu'à la fin de la période de garantie.

Cette garantie s'applique à toutes les pièces du moteur de la génératrice liées aux émissions dont la défectuosité éventuelle pourrait entraîner des émissions de gaz d'échappement non conformes à l'EPA. De plus, la présente garantie s'applique à d'autres pièces du moteur de la génératrice endommagées à la suite d'une défectuosité d'une pièce liée aux émissions.

Dans le cas où une pièce garantie liée aux émissions du moteur de la génératrice devenait défectueuse, B&S réparera ou remplacera ladite pièce sans aucuns frais, et ce, incluant le diagnostic, les pièces et la main-d'œuvre.

La période de couverture de la garantie est de deux ans à compter de la date d'achat initiale et est offerte au premier acheteur ainsi qu'à chaque acheteur subséquent tant que les Responsabilités de la garantie du propriétaire sont respectées.

### Responsabilités du propriétaire dans le cadre de la garantie :

- Les réclamations au titre de la garantie doivent être présentées conformément aux dispositions de la politique de garantie de Briggs & Stratton.
- Un moteur de génératrice pourrait ne pas être couvert par la garantie en cas de défectuosité liée à des abus, à une mauvaise utilisation, à de la négligence, à un entretien inadéquat, à des modifications non approuvées, à des accidents non causés par les moteurs de génératrice ou le matériel Briggs & Stratton ou à des catastrophes naturelles.
- Seules les moteurs de génératrice utilisés comme moteurs de génératrice fixe d'urgence, comme défini ci-dessous, sont couvertes par la garantie.
- Dès qu'un problème survient, vous avez la responsabilité de faire examiner votre moteur de génératrice ou matériel dans un centre de distribution B&S, un centre de services ou une entité équivalente, selon le cas. Les réparations couvertes par la garantie doivent être effectuées dans un délai raisonnable, n'excédant pas 30 jours. Si vous avez des questions au sujet de vos droits et responsabilités liés à la garantie, veuillez communiquer avec un représentant de Briggs & Stratton au 1-800-233-3723 (aux États-Unis) ou BRIGGSandSTRATTON.COM.
- Si une pièce dont l'entretien n'est pas prévu doit être réparée ou remplacée en vertu de cette garantie, la nouvelle pièce sera garantie uniquement pour la période de garantie restante.
- Si une pièce garantie dont un entretien est prévu s'avère défectueuse avant son premier remplacement prévu, B&S réparera ou remplacera ladite pièce sans aucuns frais pour le propriétaire. Ces pièces ne sont garanties que pendant la période d'entretien prévue initialement.
- Les pièces ajoutées ou modifiées ne faisant pas partie d'une exemption de l'EPA ne doivent pas être utilisées. L'utilisation de pièces ajoutées ou modifiées qui ne font pas l'objet d'une exemption, sera une cause de refus de demande de garantie. Le fabricant n'a pas la responsabilité de garantir les défectuosités des pièces garanties causées par l'utilisation de pièces ajoutées ou modifiées qui ne font pas partie d'une exemption.

### Définition de moteur de génératrice fixe d'urgence

Un moteur de génératrice fixe d'urgence est défini comme tout moteur à combustion interne dont l'opération est limitée à des situations d'urgence et exige des tests et de l'entretien. Les exemples incluent des moteurs de génératrice fixe utilisés pour produire de l'alimentation à des réseaux ou des équipements critiques (incluant l'alimentation fournie aux parties de l'installation) lorsque l'alimentation électrique du service local (ou la source d'alimentation normale, si l'installation opère à même sa propre production) est interrompue ou des moteurs de génératrice fixe utilisés pour pomper de l'eau en cas d'incendie ou d'inondation, etc. Les moteurs de génératrice fixe utilisés pour des écrêtements de demande de pointe ne sont pas considérés comme étant des moteurs de génératrice fixe d'urgence. Les moteurs de génératrice fixe utilisés pour fournir de l'alimentation à un réseau électrique ou qui fournissent de l'alimentation dans le cadre d'un accord financier avec une autre entité ne sont pas considérés comme étant des moteurs de génératrice fixe d'urgence. Des moteurs à combustion interne fixe d'urgence peuvent être utilisés à des fins de vérifications d'entretien et des tests de vérification de disponibilité en autant que ces tests soient recommandés par l'État fédéral ou un gouvernement local, le fabricant, le distributeur ou la compagnie d'assurance associé à ce moteur. Les vérifications d'entretien et les tests de disponibilité de ces appareils sont limités à 100 heures par année. Il n'y a pas de limite relative au temps d'utilisation de moteurs de génératrice fixe d'urgence dans des situations d'urgence. Le propriétaire ou l'opérateur peut présenter une pétition à l'administrateur afin d'obtenir l'approbation pour des heures additionnelles à des fins de vérifications d'entretien et des tests de disponibilité, mais une pétition n'est pas requise si le propriétaire ou l'opérateur conserve à jour des dossiers indiquant que les normes fédérales, d'État ou locales exigent de l'entretien et des tests de moteurs à combustion interne d'urgence au-delà de 100 heures par année. Les moteurs à combustion interne fixes d'urgence peuvent être utilisés 50 heures par année dans des situations autre que d'urgence, mais ces 50 heures comptent parmi les 100 heures par année prévues pour de l'entretien ou des tests. Les 50 heures par année dans des situations autre que d'urgence ne peuvent être utilisées pour des écrêtements de demande de pointe ou générer des revenus pour une installation qui fournit de l'alimentation à un réseau électrique ou fournit autrement de l'alimentation dans le cadre d'un accord financier avec une autre entité. Pour les propriétaires et les opérateurs de moteurs de génératrice d'urgence, toute opération autre que dans des situations d'urgence, d'entretien et de tests et l'opération autre que dans des situations d'urgence de 50 heures par année, tel que permis ci-dessus est interdite.



## Free Manuals Download Website

<http://myh66.com>

<http://usermanuals.us>

<http://www.somanuals.com>

<http://www.4manuals.cc>

<http://www.manual-lib.com>

<http://www.404manual.com>

<http://www.luxmanual.com>

<http://aubethermostatmanual.com>

Golf course search by state

<http://golfingnear.com>

Email search by domain

<http://emailbydomain.com>

Auto manuals search

<http://auto.somanuals.com>

TV manuals search

<http://tv.somanuals.com>