



**6200 Watt Portable Generator
Illustrated Parts List
Las Partes ilustradas Listan**



Questions? Help is just a moment away!
Preguntas? La ayuda es justa un momento lejos!

Call: **Generator Helpline**

Llame: **Línea Directa del Generador**

1-800-743-4115 M-F 8-5 CT

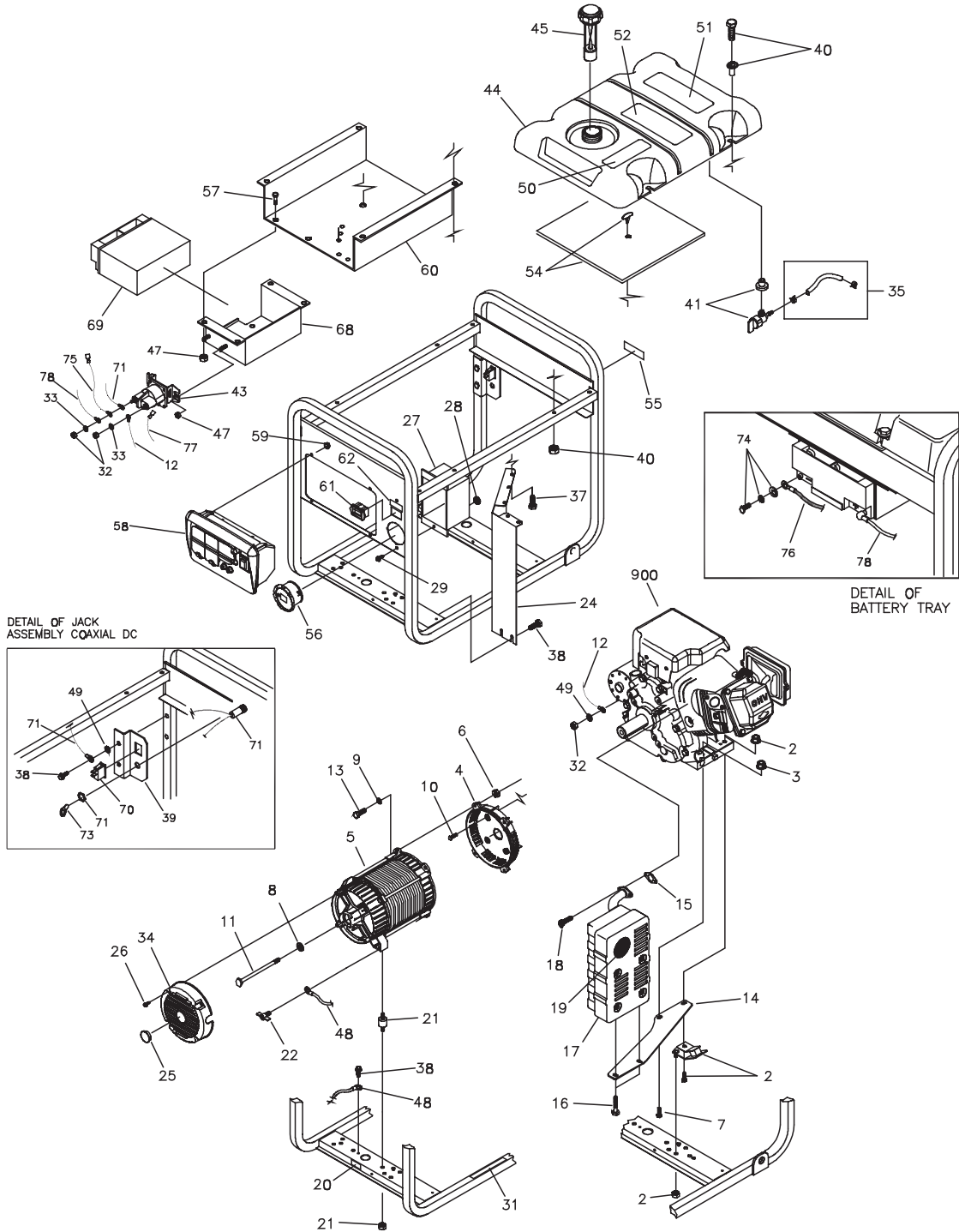
BRIGGSandSTRATTON.COM

**BRIGGS & STRATTON POWER PRODUCTS GROUP, LLC
JEFFERSON, WISCONSIN, U.S.A.**

030358 Manual No. 204330A Revision - (07/31/2007)



EXPLODED VIEW - MAIN UNIT



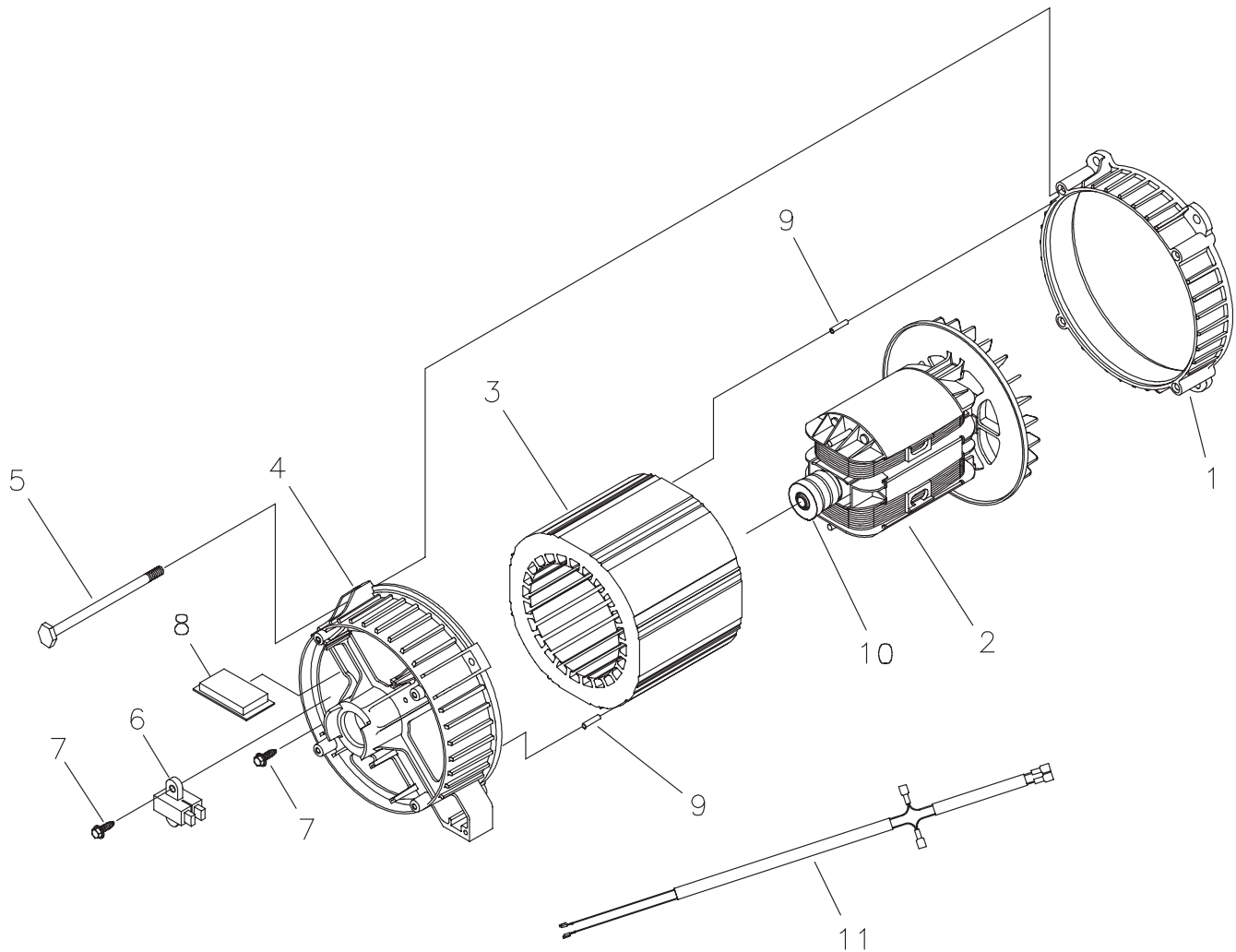
EXPLODED VIEW - PARTS LIST

Item	Part #	Description	Item	Part #	Description
1	J204103GS	KIT, Cradle (Includes 20, 31, 55 & 62)	43	691656	SOLENOID
2	194150GS	KIT, Vibration Mount, 45°	44	197303GS	ASSY., Tank Fuel (Includes Items 41, 50, 51 & 52)
3	67989GS	NUT, M8 Flange Serrated	45	B4363GS	CAP, Fuel Gauge
4	190220GS	ADAPTER, Engine	47	77395GS	NUT, M6 Flange Lock
5	NSP	ASSY., Alt (see page 4)	48	195373GS	WIRE, Ground
6	*	NUT, Hex M8 - 1.25	49	*	WASHER, Shakeproof, Ext
7	195398GS	TPHMS, M8 1.25 x 35	50	188333GS	DECAL, Instruction Fuel Level
8	96796GS	WASHER, 8.4 x 22.2 x 3	51	194984GS	DECAL, Warning
9	*	WASHER, 5/16 - M8 Lock	52	94480GS	DECAL, Start Instructions
10	190274BGS	SBHC, 3/8-16 x 1"	54	194448GS	KIT, Insulation w/clip
11	187365FGS	HHCS, 5/16 - 24 x 7.44	55	197789GS	DECAL, Fuel Shutoff
12	189302JGS	ASM WIRE, #16, Red	56	196908GS	LOAD MONITOR
13	*	HHCS, M8 - 1.25 x 25	57	*	HHCS, M6 - 1.0 x 12
14	189009GS	BRACKET, Muffler	58	201576GS	ASSY. Control Panel
15	695398	GASKET, Exhaust	59	189164GS	PALNUT, 3/16
16	*	GASKET, M6 - 1.0 x 12	60	194389GS	HEATSHEILD
17	189008GS	MUFFLER	61	198245GS	METER, Hour Digital
18	*	SHCS, 5/16-18 x 3/4	62	200311GS	DECAL, Neutral Bonded
19	83083GS	SCREEN, Spark Arrest	68	198760GS	ASSY, Battery Tray w/Studs
20	B4986GS	DECAL, Ground	69	193043GS	BATTERY
21	194153GS	KIT, Vibration Mount	70	87799GS	SWITCH, Rocker On/Off
22	86494GS	SCREW, Wing M6 - 1.0 x 16	71	199152GS	ASSY, Jack, Coax, DC
24	194390GS	ASSY., Heat Shield	73	192351GS	LUG, 1/4, #22/18
25	191190GS	CAP	74	193347GS	KIT, Hardware Battery
26	74908GS	TAPTITE, M5 - 0.8 x 10	75	198871GGS	WIRE, #13 Red
27	204342GS	BOX, Cover	76	185939KGS	WIRE, #55 Black
28	62265GS	GROMMET	77	198871HGS	WIRE, #13B Red
29	204626GS	TPHMS, M6 - 1 x 12, Taptite	78	189302MGS	WIRE, #13 Red
31	200310GS	DECAL, Warning, Exhaust	900	§	ENGINE
32	*	NUT, 1/4 - 20			
33	*	WASHER, 1/4 Lock			
34	195422GS	COVER, RBC Plastic with Cap	Parts Not Illustrated		
35	791745	KIT, Hose, Fuel (cut to fit)	204330GS	MANUAL, Operator's	
37	56893GS	CRIMPTITE, 10-24 x 1/2	B4177GS	CHARGER, Battery	
38	B2153GS	SCREW, Self Driller, 12-14 x 7/8	204635GS	KIT, Decals Srv	
39	196441GS	BRACKET, Switch/Jack			
40	195477GS	KIT, Fuel Tank Hardware (Includes Qty of 4)	§ - Contact Engine Manufacturer		
41	192980GS	VALVE, Fuel	* - Items without part numbers are common fasteners and are available at your local hardware store.		

Copyright © 2007 Briggs & Stratton Power Products Group, LLC. All rights reserved. No part of this material may be reproduced or transmitted in any form by any means without the express written permission of Briggs & Stratton Power Products Group, LLC.

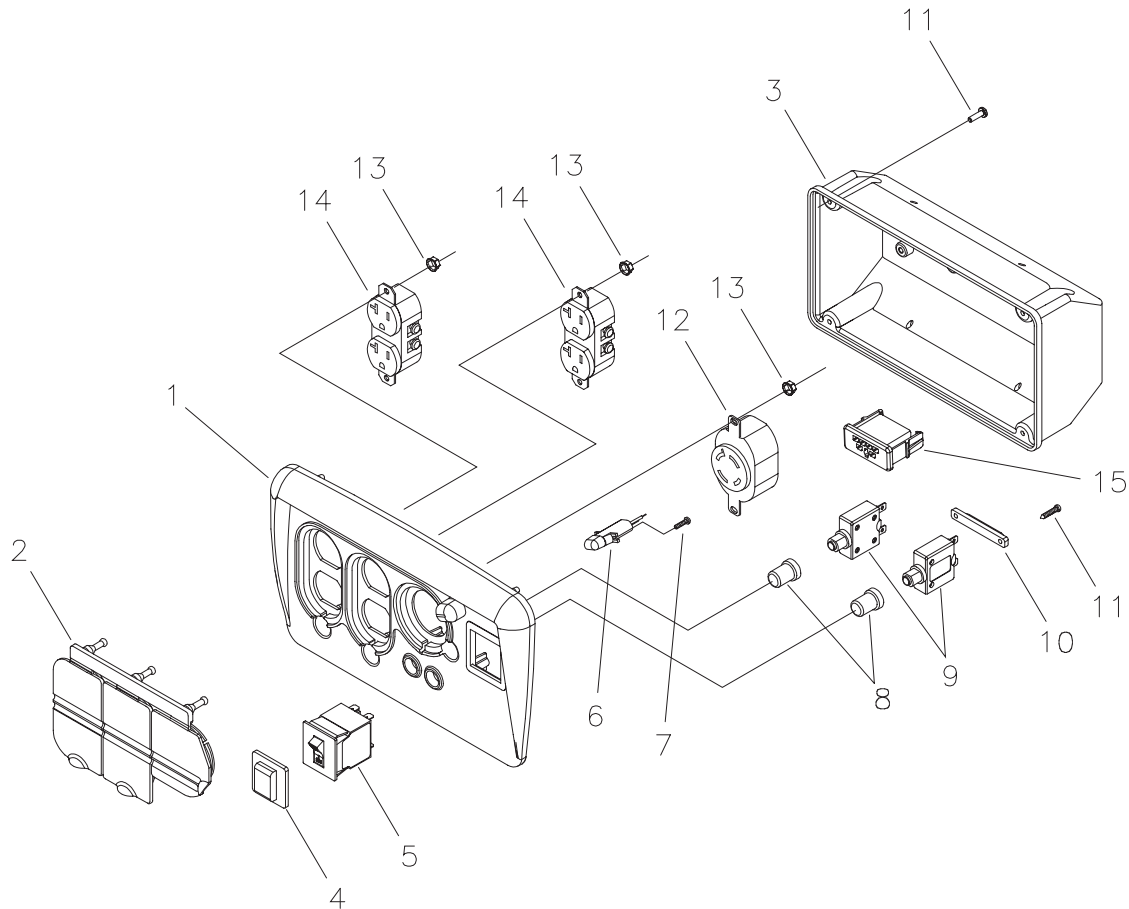


EXPLODED VIEW AND PARTS LIST - ALTERNATOR



Item	Part #	Description
1	186059GS	ADAPTER, Mounting, Alternator
2	191876GS	ASSY, Rotor (Includes Item 10)
3	203480GS	STATOR
4	193336GS	RBC, (with O-Ring p/n 189197GS)
5	86308HGS	HHCS, M6 - 1.0 x 140 SEMS
6	66386GS	ASSY, Holder, Brush
7	66849GS	TAPTITE, M5 - 0.8 x 16
8	198339GS	REGULATOR
9	81917GS	PIN, Roll, 4mm x 10
10	65791GS	BEARING
11	204389GS	HARNESS, Monitor Load

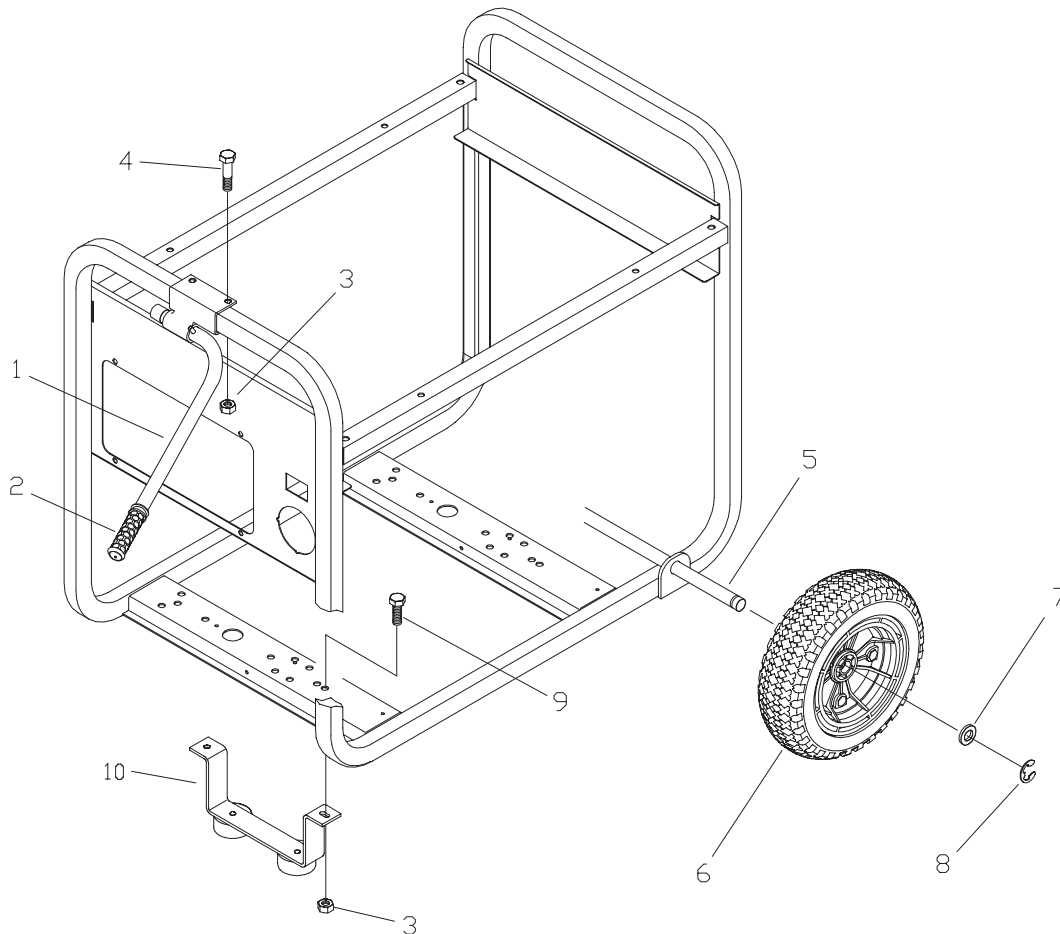
EXPLODED VIEW AND PARTS LIST - CONTROL PANEL



Item	Part #	Description
1	198468GS	PANEL, Control
2	197472GS	COVER, Flip Outlets
3	201573GS	BOX, Control Panel
4	191481GS	BOOT, Circuit Breaker
5	202033GS	BREAKER, Circuit, 30A
6	202951GS	LIGHT, Led Panel
7	197958GS	SCREW, 3 x 6, Tapping
8	84198GS	CAP, Breaker, Circuit
9	202394GS	BREAKER, Circuit, 20A
10	202932GS	BAR, Retaining
11	84543BGS	PPPHS, M3-0.5 x 12
12	43437GS	OUTLET, 120/240V, 30A
13	189164GS	PALNUT, 3/16
14	197731GS	OUTLET, 120V, 15/20A
15	201678GS	HOUSING, 6-Pin, Plug, Ark-les



EXPLODED VIEW AND PARTS LIST - WHEEL KIT



Item	Part #	Description
1	189715GS	ASSY, Handle with Grip
2	189718GS	GRIP
3	67989GS	NUT, M8 Flange Serrated
4	*	HHCS, M8 - 1.25 x 45
5	191267GGS	AXLE, 5/8 x 23.62"
6	196517GS	WHEEL
7	*	WASHER, 5/8"
8	191265GS	E-RING
9	*	HHCS, M8 - 1.25 x 20
10	204536GS	ASSY, Leg Support

Parts Not Illustrated

204249GS KIT, Hardware, Wheel

* - Items without part numbers are common fasteners and are available at your local hardware store.

Free Manuals Download Website

<http://myh66.com>

<http://usermanuals.us>

<http://www.somanuals.com>

<http://www.4manuals.cc>

<http://www.manual-lib.com>

<http://www.404manual.com>

<http://www.luxmanual.com>

<http://aubethermostatmanual.com>

Golf course search by state

<http://golfingnear.com>

Email search by domain

<http://emailbydomain.com>

Auto manuals search

<http://auto.somanuals.com>

TV manuals search

<http://tv.somanuals.com>