

Breville®



Panini Press

Instruction Booklet • Livret d'instructions

BSG520XL / BSG540XL

CONGRATULATIONS

On the purchase of your new Breville Panini Press

CONTENTS

- 4 Breville recommends safety first
- 6 Know your Breville Panini Press
- 8 Operating your Breville Panini Press
- 12 Care & cleaning your Breville Panini Press
- 14 Recipes
- 22 One year limited warranty

BREVILLE RECOMMENDS SAFETY FIRST

We at Breville are very safety conscious. We design and manufacture consumer products with the safety of you, our valued customer, foremost in mind. In addition we ask that you exercise a degree of care when using any electrical appliance and adhere to the following precautions:

IMPORTANT SAFEGUARDS



READ ALL INSTRUCTIONS

- Carefully read all instructions before operation and save for future reference.
- Remove any packaging material and promotional stickers before using the panini press for the first time.
- To eliminate a choking hazard for young children, remove and safely discard the protective cover fitted to the power plug of this appliance.
- Do not place the panini press near the edge of a bench or table during operation. Ensure that the surface is level, clean and free of water.
- Keep the panini press clear of walls, curtains and other heat or steam sensitive materials.
- Do not place the Breville Panini Press on or near a hot gas or electric burner, or where it could touch a heated oven. Use the panini press well away from walls.
- Provide adequate space above and on all sides for air circulation around the panini press.
- Do not place the panini press on any surface that may be affected by heat. The use of a heat resistant matt is recommended on these surfaces.
- Do not use on a sink drain board.
- Always use the panini press on a dry, level surface.
- Do not touch hot surfaces. Use the handle to lift and open the top plate. Take care when using the Adjustable Height Control.
- Do not leave the panini press unattended when in use.
- Do not place anything on top of the panini press when the lid is closed, when in use and when stored.
- Always remove the plug from the wall outlet and allow to cool if the appliance is not in use, before cleaning, before attempting to move the appliance, disassembling, assembling and when storing the appliance.
- Do not use harsh abrasives, caustic cleaners or oven cleaners when cleaning the panini press.
- Keep the exterior housing and the non-stick cooking plates clean. Follow the cleaning instructions provided in this book. Refer to care and cleaning (Page 12)
- If the appliance is of the grounded type, the extension cord should be a grounding 3-wire cord.
- The use of accessory attachments not recommended by Breville may cause injuries.
- Extreme caution must be used when moving an appliance containing hot oil or other hot liquids.

BREVILLE RECOMMENDS SAFETY FIRST

FOR ALL ELECTRICAL APPLIANCES

- Fully unwind the cord before use.
- To protect against electric shock, do not immerse the cord, plug or appliance in water or any other liquid.
- Do not allow the cord to hang over the edge of a table or bench, touch hot surfaces or become knotted.
- This appliance is not intended for use by persons (including children) with reduced physical, sensory or mental capabilities, or lack of experience and knowledge, unless they have been given supervision or instruction concerning use of the appliance by a person responsible for their safety.
- Children should be supervised to ensure that they do not play with the appliance.
- It is recommended to regularly inspect the appliance. Do not use the appliance if the power supply cord, plug or appliance becomes damaged in any way. Return the entire appliance to the nearest authorized Breville Service Center for examination and/or repair.
- Any maintenance other than cleaning should be performed at an authorized Breville Service Center.
- This appliance is for household use only. Do not use in moving vehicles or boats. Do not use outdoors. Do not use this appliance for anything other than its intended use. Misuse may cause injury.

NOTE:

Your Breville appliance comes with the unique Assist Plug™, conveniently designed with a finger hole in the power plug, for easy and safe removal from the outlet. For safety reasons it is recommended you plug your Breville appliance directly into the power outlet.

DO NOT use in conjunction with a power strip or extension cord.

ELECTRIC CORD STATEMENT

Your panini press has a short cord as a safety precaution to prevent personal injury or property damage resulting from pulling, tripping or becoming entangled with the cord. Do not allow children to be near or use this appliance without close adult supervision.

If you must use a longer power cord or an extension cord when using the appliance, the cord must be arranged so it will not drape or hang over the edge of a countertop, tabletop or surface area where it can be pulled on by children or tripped over.

To prevent electric shock, personal injury or fire, the electrical rating of the extension cord you use must be the same or more than the wattage of the appliance (wattage is marked on the underside of the appliance).

SAVE THESE INSTRUCTIONS FOR HOUSEHOLD USE ONLY

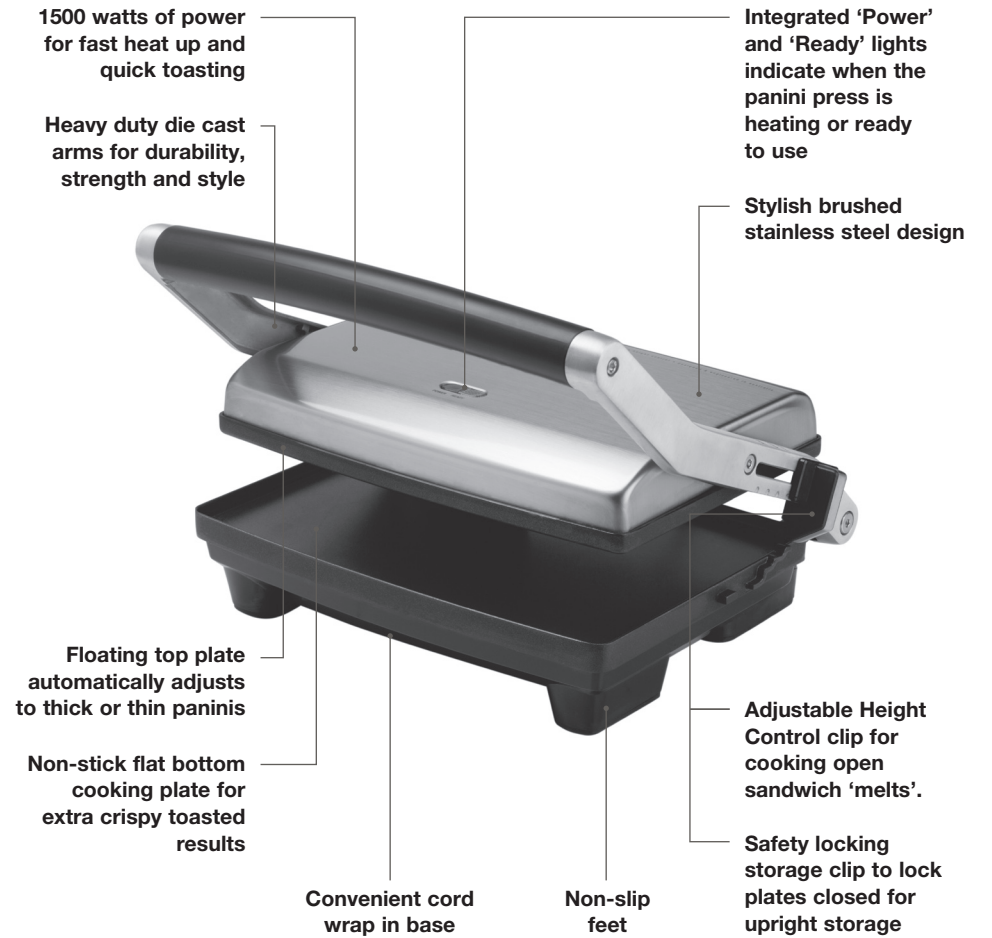
KNOW

your Breville Panini Press

signed & engineered in australia

KNOW YOUR BREVILLE PANINI PRESS

BSG520XL / BSG540XL



OPERATING

your Breville Panini Press

signed & engineered in australia

OPERATING YOUR BREVILLE PANINI PRESS

Before first use

Remove any promotional materials and packaging materials before use. Check that the cooking plates are clean and free of dust. If necessary, wipe with a soft, damp cloth.

When using the panini press for the first time you may notice a fine smoke haze. This is caused by the heating of some of the components. There is no need for concern.

To use as a panini press

1. Insert the power plug into a 110/120 volt power outlet. The Red power 'On' light will illuminate.
2. Allow the panini press to pre-heat with the top cooking plate in the closed position until the green 'READY' light illuminates.
3. During this time, prepare the panini. When the green 'Ready' light illuminates, place the panini onto the bottom cooking plate. Always place panini towards the rear of the bottom cooking plate.
4. Close the top cooking plate. The top cooking plate has a floating hinge that is designed to evenly press down on the panini (see Fig. 1).



5. Toasting should take approximately 5-8 minutes. Exact toasting time will be a matter of taste. It will also depend on the type of bread and type of filling used.
6. When the panini is cooked, use the handle to open the panini press and raise the top cooking plate. Remove the panini with the help of a plastic or wooden spatula. Never use metal tongs or a knife as these can cause damage to the non-stick coating.

NOTE:

Always allow the panini press to pre-heat until the green 'READY' light illuminates.

NOTE:

The locking storage clip should not be used to clamp down the top cooking plate when the paninis are in the panini press. The weight of the top cooking plate will gradually press down the sandwich during the cooking process.

NOTE:

When using the panini press for the first time you may notice a fine smoke haze. This is caused by the heating of some of the components. There is no need for concern.



THE TEMPERATURE OF ACCESSIBLE SURFACES MAY BE HIGH WHEN THE APPLIANCE IS OPERATING.

FULLY UNWIND THE CORD FROM THE CORD STORAGE FACILITY BEFORE USE.

Fig. 1

OPERATING YOUR BREVILLE PANINI PRESS

TOASTING OPEN SANDWICH 'MELTS'

Your panini press has an Adjustable Height Control feature which allows you to fix the top plate to a range of positions above the bottom plate. This allows your panini press to be used as an open toaster ideal for toasting open sandwich style 'melts'.

It can also be used for toasting sandwiches and snacks where you don't need to apply the weight of the top plate.

Open sandwich melts

1. Allow the panini press to pre-heat until the green 'READY' light illuminates.
2. Place sandwich to be melted on bottom plate.
3. Move the Adjustable Height Control clip on the right hand side of the panini press to the desired height (see Fig. 2).
4. Slowly lower the top plate until it rests on the Adjustable Height Control clip.
5. The top plate will radiate the desired heat to melt ingredients such as cheese.
6. Toasting 'melts' should take approximately 3-4 minutes. However exact toasting time will be a matter of taste. It will also depend on the height of the top plate.

NOTE:

The panini press should be used to heat sandwich fillings and deli meats or reheat pre-cooked fillings. Always ensure uncooked meats are cooked before using them as sandwich fillings in toasted sandwiches.



Fig. 2

Adjustable Height Control

Toasts or melts any bread thickness in minutes.



NOTE:

The Adjustable Height Control can be moved to accommodate thick or thin melts by sliding the clip forwards or backwards along the arm.

OPERATING YOUR BREVILLE PANINI PRESS

HINTS FOR BEST RESULTS

Bread

Most types of bread can be used; white, wholemeal, kibbled wheat, wholegrain, raisin loaf and so on. The panini press is ideal for toasting focaccia, Turkish bread, baguette as well as bread rolls. Raisin bread, brioche or other sweet breads which contain a high sugar content will tend to brown quicker.

Filings

Try to use canned or pre-cooked fruit as fresh fruit may give off excessive juices when heated. Be careful when biting into paninis containing fillings such as cheese and tomato or jam as they retain heat and can burn if eaten too quickly.

Versatility

The flat bottom plate design makes the panini press ideal for toasting plain bread and Turkish bread without any fillings or spreads. The flat bottom plate is also perfect for cooking breakfast items such as eggs and pancakes.

Fat free snacks

Due to the non-stick flat plate design, it is not necessary to use any butter or margarine on the outside of your toasted snacks.

NOTE:

When using the flat bottom plate to cook breakfast items, move the Adjustable Height Control clip so that the top plate floats above the food. The top plate will radiate heat onto the food, shortening the cooking time.

CARE & CLEANING

your Breville Panini Press

signed & engineered in australia

CARE & CLEANING YOUR BREVILLE PANINI PRESS

Before cleaning, remove the plug from the power outlet. Allow your panini press to cool before cleaning. The appliance is easier to clean when slightly warm.

Always clean your panini press after each use to prevent a build up of baked-on foods.

Wipe cooking plates with a soft cloth. If cooked on food is not removed by this method, reheat the unit for 1-2 minutes, then brush with a little oil or melted butter. Allow to stand for five minutes then wipe with a damp cloth.

NOTE:
The cooking plates are coated with a non-stick surface, do not use abrasives.

Storage

To store your panini press:

1. Unplug from the power outlet.
2. Allow the panini press to fully cool.
3. Slide the Adjustable Height Control clip towards the front handle to the LOCK position so that the top and bottom cooking plates are locked together (See Fig 3).



Fig. 3

4. Wrap the cord in the cord storage area below the appliance (See Fig 4).
5. The panini press can be stored upright or flat on a dry, level surface.

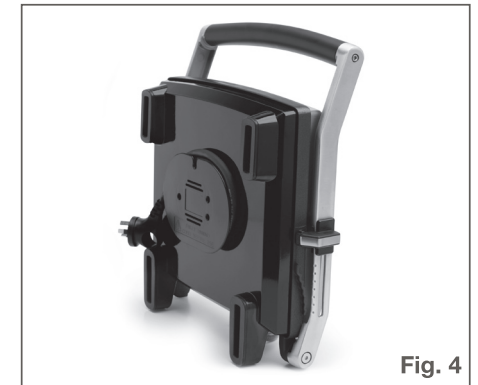


Fig. 4

NOTE:
The storage clip should not be used to clamp down the top plate when paninis are in the panini press.

⚠ DO NOT IMMERSE ANY PART OF THE BREVILLE PANINI PRESS IN WATER OR ANY OTHER LIQUID.

RECIPES

RECIPES - FLAVORFUL PANINIS & SANDWICHES

HERBED OMELETTE PANINI

Serves 2

- 3 bacon rashers, thinly sliced
- 1 tablespoon extra virgin olive oil
- 3.5oz (100g) button mushrooms, sliced
- 1/3 cup shallots, thinly sliced
- Freshly ground black pepper
- 3 x 2oz (60g) eggs, lightly beaten
- 1 tablespoon freshly chopped herbs
- 1/4 cup thinly sliced roasted bell peppers
- 1 large focaccia, halved
- 4oz (125g) sliced Swiss cheese

1. Pre-heat the panini press until the green "READY" light illuminates.
2. Meanwhile, fry bacon in a non-stick frypan until crisp. Remove from pan and set aside. Sauté mushrooms and shallots in frypan until any liquid has evaporated. Remove from heat.
3. Beat eggs lightly adding pepper and herbs. Pour mixture over mushrooms in pan. Return to medium heat and cook until eggs are set but soft in the center, approximately 3-5 minutes.
4. Remove omelette from frypan and roughly chop.
5. Cut focaccia in half to form a sandwich. Fill focaccias with omelette, bell pepper, cheese and bacon.
6. Cook focaccia until golden, crisp and heated through, approximately 8 minutes.

Serve with salad greens.

CHAR GRILLED CHICKEN LAVOSH WITH MANGO & PINENUT MAYONNAISE

Serves 2-3

- 1/4 cup mayonnaise
- 1/2 tablespoon chilli salsa
- 1 teaspoons grated lime rind
- 1/2 tablespoon lime juice
- 4oz (125) canned mango pieces, drained
- 1 1/2 tablespoon toasted pinenuts
- 1 char-grilled chicken breast, sliced thinly
- 2 sheets lavash bread
- 1 avocado, sliced

1. Pre-heat the panini press until the green "READY" light illuminates.
2. Combine mayonnaise, salsa, rind, juice, mango, pinenuts and chicken.
3. Spread chicken mixture over each lavash. Top with avocado and roll tightly.
4. Cook lavash rolls until golden, crisp and heated through, approximately 8 minutes.

Serve sliced on an angle with salad greens.

TUNA AND ARTICHOKE

Serves 2

- 2 large crusty round rolls
- 3.5oz (100g) black olive paste
- 7oz (200g) can tuna, drained
- 6 marinated baby artichokes
- 4oz (125g) Brie cheese, thinly sliced

1. Pre-heat the panini press until the green "READY" light illuminates.
2. Cut rolls in half and spread with olive paste. Fill with tuna, artichokes and cheese.
3. Cook until golden, crisp and heated through, approximately 8 minutes.

RECIPES - FLAVORFUL PANINIS & SANDWICHES

ROAST BEEF KEBABS

Serves 2-3

- 2 round Pita bread
- 2.5oz (70g) cream cheese
- 3 teaspoons seeded mustard
- ½ tablespoon lemon juice
- ¼ cup grated canned beets, drained
- 3.5oz (100g) shaved rare roast beef
- 2.5oz (70g) marinated roasted eggplant

1. Pre-heat the panini press until the green "READY" light illuminates.
2. Combine cream cheese, mustard and lemon juice. Spread each Pita bread with cream cheese mixture. Top with beets, roast beef and eggplant. Roll tightly.
3. Cook Pita bread until golden, crisp and heated through, approximately 10 minutes.

Serve Sliced.

SPICY LAMB IN PITA

Serves 2-3

- 1 tablespoons oil
- 4oz (125g) ground lamb mince
- 2 tablespoons finely chopped onion
- ½ cup diced tomato
- 1 tablespoons freshly chopped mint
- ¼ teaspoon ground cilantro
- Pinch ground ginger
- ½ teaspoon ground cumin
- ¼ teaspoon turmeric
- Salt and freshly ground black pepper, to taste
- 3 pita breads
- 3 slices Swiss cheese
- Tatziki dip, for serving

1. Pre-heat the panini press until the green "READY" light illuminates.
2. Heat oil in a non-stick frypan, sauté lamb mince, onions, tomato, mint, spices and seasonings until browned and cooked. Drain.
3. Split pitas open to form pockets. Fill with lamb mixture and insert a cheese slice into each pocket.
4. Cook pitas until golden, crisp and heated through, approximately 10 minutes.

Serve with tatziki dip.

WARM CAESAR SANDWICH

Serves 2

- 3 bacon rashers, thinly sliced
- 2 round Turkish breads
- 1 char-grilled chicken breast fillet, thinly sliced
- 1 hard boiled egg, peeled and sliced
- ½ cup prepared garlic croutons
- 1oz (30g) baby spinach leaves
- 2oz (60g) freshly grated Parmesan cheese
- Caesar salad dressing, for serving

1. Pre-heat the the panini press until the green "READY" light illuminates.
2. Meanwhile heat a non-stick frypan and fry bacon until crispy. Cut Turkish bread in half to form a sandwich. Fill with bacon, chicken, eggs, croutons, spinach and cheese.
3. Cook Turkish bread until golden, crisp and cooked through, approximately 6 minutes.

Serve drizzled with Caesar salad dressing.

RECIPES - FLAVORFUL PANINIS & SANDWICHES

MEDITERRANEAN LAYERED TWISTS

Serves 2-3

- 2 twist or cob bread rolls
- 2 tablespoons pesto
- 3.5oz (100g) marinated roasted eggplant
- 4oz (125g) marinated roasted red bell pepper
- 2oz (60g) char-grilled sliced sweet potato
- 3.5oz (100g) marinated semi-dried tomatoes, drained
- 2oz (60g) mushrooms, sliced
- 3.5oz (100g) sliced Swiss cheese

1. Pre-heat the panini press until the green "READY" light illuminates.
2. Cut bread rolls in half and spread with pesto. Fill with eggplant, bell pepper, sweet potato, dried tomato, mushrooms and cheese.
3. Cook bread rolls until golden, crisp and heated through, approximately 8 minutes.

GORGONZOLA PANINI

Serves 2

- 1oz (30g) herb and garlic butter
- 4 slices crusty country-style bread
- 1.5oz (50g) English spinach leaves
- 2oz (60g) Gorgonzola cheese, crumbled
- 2oz (60g) marinated roasted bell pepper

1. Pre-heat the panini press until the green "READY" light illuminates.
2. Spread herb and garlic butter over bread slices and fill with spinach, cheese and bell pepper.
3. Cook until golden, crisp and heated through approximately 6 minutes.

Serve cut in half.

ANTIPASTO RYE BREAD

Serves 2-3

- 4 slices rye bread
- ½ tablespoon extra virgin olive oil
- 1 tablespoon sun-dried tomato paste
- 2oz (60g) hummus
- 4 stuffed vine leaves
- 7oz (200g) artichoke hearts, drained & sliced
- 4 slices Swiss cheese

1. Pre-heat the panini press until the green "READY" light illuminates.
2. Combine oil and tomato paste. Spread rye bread with tomato mixture then hummus. Fill with vine leaves, artichokes and cheese to make 2 sandwiches.
3. Cook until golden, crisp and heated through, approximately 8 minutes

Serve cut in half.

PROSCIUTTO BAGUETTE

Serves 2

- 2 small-medium baguette rolls
- 2.75oz (80g) Italian prosciutto, thinly sliced
- 2.5oz (75g) bocconcini cheese, thinly sliced
- 4 basil leaves
- Freshly ground black pepper
- 1 tablespoons extra virgin olive oil

1. Pre-heat the panini press until the green "READY" light illuminates.
2. Cut baguette in half. Fill with layers of prosciutto, cheese and basil. Season to taste and drizzle with oil.
3. Cook baguettes until golden, crisp and heated through, approximately 6-8 minutes.

Serve cut in half.

RECIPES - FLAVORFUL PANINIS & SANDWICHES

GOAT'S CHEESE AND ROASTED PEPPER

Serves 2

- 1 large round focaccia
- 3oz (90g) softened goat's cheese
- ½ tablespoon roughly chopped Italian parsley
- ½ tablespoon roughly chopped basil
- 1 clove garlic, thinly sliced
- 1 tablespoons drained capers
- 1 tablespoons lemon juice
- ½ tablespoon sweet Thai chilli sauce
- 2oz (60g) marinated roasted zucchini
- 2oz (60g) semi dried tomatoes

1. Pre-heat the panini press until the green "READY" light illuminates.
2. Cut focaccia in half to form a sandwich. Combine goat's cheese, parsley, basil, garlic, capers, lemon juice and chilli sauce. Spread focaccia with goat's cheese mixture. Fill with zucchini and tomatoes.
3. Cook focaccias until golden, crisp and heated through, approximately 8 minutes.

PRAWN AND WATERCRESS SANDWICHES

Serves 2

- 4 slices wholegrain bread
- 2.5oz (70g) cream cheese, softened
- 2oz (60g) herb & garlic butter
- 2.5oz (75g) watercress
- 13.5oz (400g) medium cooked king prawns, peeled and de-veined

1. Pre-heat the panini press until the green "READY" light illuminates.
2. Spread bread with combined cream cheese and garlic butter. Fill with watercress and prawns to make 2 sandwiches.
3. Cook until golden, crisp and heated through, approximately 8 minutes.

ITALIAN FONTINA TOAST

Serves 2

- 4 slices white bread
- 3.5oz (100g) Italian fontina cheese, sliced
- 3.5oz (100g) marinated roasted red bell pepper
- 3.5oz (100g) sliced marinated mushrooms
- Freshly ground black pepper, to taste

1. Pre-heat the panini press until the green "READY" light illuminates.
2. Fill bread with layers of cheese, bell pepper and mushrooms. Season with pepper. Make into 2 sandwiches.
3. Cook until golden, crisp and heated through, approximately 6-8 minutes.

NOTE:
Fontina cheese may be substituted with Parmesan or Romano cheese.

RECIPES - FLAVORFUL PANINIS & SANDWICHES

CHAR-GRILLED CHICKEN AND SALSA VERDE

Serves 2

- 1 char-grilled chicken breast fillet, sliced
- 1 clove garlic, thinly sliced
- 1/3 cup chopped parsley
- 1 tablespoon finely chopped sage
- ¼ cup stuffed pimento green olives, chopped
- 1 tablespoons drained capers
- 1 tablespoon extra virgin olive oil
- ½ teaspoon freshly grated lime rind
- ½ tablespoon lemon juice
- 4 large slices Ciabatta bread
- 4 large slices Swiss cheese

1. Pre-heat the panini press until the green "READY" light illuminates.
2. Combine chicken, garlic, parsley, sage, olives, capers, oil, rind and juice. Fill bread with chicken mixture and sliced cheese to make 2 sandwiches.
3. Cook until golden, crisp and heated through, approximately 8-10 minutes.

CRISPY SWORDFISH SANDWICHES

Serves 2

- 8oz (250g) fresh swordfish fillets thinly sliced
- 1½ tablespoons extra virgin olive oil
- 2 tablespoons freshly chopped herbs (basil, garlic chives, thyme, dill)
- ½ teaspoon paprika
- Salt and freshly ground black pepper, to taste
- 1 large focaccia
- 2 tablespoons mayonnaise
- 4 tomato slices
- ½ tablespoon drained capers
- 6 baby English spinach leaves

1. Pre-heat the panini press until the green "READY" light illuminates.
2. Brush fish fillets with half the olive oil. Coat fillets with combined herbs, paprika and seasonings.
3. Heat remaining oil in a frypan. Fry fish until golden. Remove and drain.
4. Cut focaccia in half to form a sandwich and spread mayonnaise. Fill with fish, tomato, capers and spinach.
5. Cook focaccias until golden, crisp, and heated through, approximately 5 minutes.

NOTE:
Large focaccia may need to be cut in half to fit into the panini press.

RECIPES - DESSERT STYLE PANINIS & SANDWICHES

TOASTED CHOCOLATE PANINI

Serves 2

- 2.75oz (80g) cream cheese, softened
- 4 slices textured Country style bread
- 8.5oz (250g) bittersweet chocolate, coarsely grated
- Vanilla ice-cream, for serving

1. Pre-heat the panini press until the green "READY" light illuminates.
2. Spread cream cheese over bread slices and sprinkle with grated chocolate. Sandwich together.
3. Cook until golden, crisp and heated through, approximately 6 minutes.

Serve with vanilla ice-cream.

CRISP BERRY AND MASCARPONE SANDWICHES

Serves 2

- 3.5oz (100g) Mascarpone cheese
- 4 slices Country styled bread
- ½ punnet strawberries, hulled and sliced
- ½ punnet raspberries
- 1 tablespoons honey

1. Pre-heat the panini press until the green "READY" light illuminates.
2. Spread cheese over bread slices. Fill with berries and drizzle with honey to make 2 sandwiches.
3. Cook until golden, crisp and heated through, approximately 8 minutes.

CRISPY BRIOCHE WITH BERRIES AND ICE-CREAM

Serves 2

- ½ punnet strawberries, hulled
- ½ punnet blueberries
- ½ punnet raspberries
- ¼ cup port
- 1 loaf brioche
- Vanilla ice-cream, for serving
- Icing sugar, for serving

1. Pre-heat the panini press until the green "READY" light illuminates.
2. Puree berries and port until smooth. Set aside. Cut 4 slices from brioche and cook until toasted, approximately 5 minutes.
3. Arrange toasted brioche on 2 large, white plates. Top with ice-cream and drizzle with berry sauce.

Dust with icing sugar and serve immediately.

SWEET NECTARINE SANDWICH

Serves 2

- 1.5oz (40oz) unsalted butter, softened
- 4 slices soy and linseed grain bread
- 2 nectarines, peeled and sliced
- 1 teaspoon ground cinnamon
- 2 tablespoons caster sugar

1. Pre-heat the panini press until the green "READY" light illuminates.
2. Spread butter over bread slices. Fill with sliced nectarine and sprinkle with combined cinnamon and sugar to make 2 sandwiches.
3. Cook until golden, crisp and heated through, approximately 8 minutes.

RECIPES - DESSERT STYLE PANINIS & SANDWICHES

SWEET FIG FOCACCIA

Serves 2

- 2 small plain rounds of focaccia
- 2.75oz (80g) fresh ricotta cheese
- 3 fresh figs, thinly sliced
- 6 small fresh mint leaves
- 1 tablespoon caster sugar

1. Pre-heat the panini press until the green "READY" light illuminates.
2. Cut focaccias in half to form a sandwich. Spread with ricotta cheese. Fill with figs, mint leaves and sprinkling of caster sugar.
3. Cook until golden, crisp and heated through, approximately 8 minutes.

ONE YEAR LIMITED WARRANTY

Breville®* warrants this Breville® appliance against defects that are due to faulty material or workmanship for a period of one (1) year from the date of original consumer purchase. This warranty does not cover damage from abuse, neglect, use for commercial purposes, or any other use not found in the printed "Instructions for use" booklet. There is no warranty for glass parts, glass containers, filter basket, blades and agitators. HWI Breville® expressly disclaim all responsibility for consequential damages for incidental losses caused by use of this appliance. Some states or provinces do not allow this exclusion or limitation for incidental or consequential losses, so the foregoing disclaimer may not apply to you.

ANY WARRANTY OF MERCHANTABILITY OR FITNESS WITH RESPECT TO THIS PRODUCT IS ALSO LIMITED TO THE ONE YEAR LIMITED WARRANTY PERIOD.

Some states or provinces do not allow disclaimer of the implied warranty with respect to consumer goods, so the foregoing disclaimer may not apply to you.

This warranty gives you specific legal rights and you may also have other legal rights which vary from state to state or province to province.

If the appliance should become defective within the warranty period, do not return the appliance to the store. Please contact our Customer Service Center.

Toll free phone number:

1-866-BREVILLE (1-866-273-8455)

Internet email:

AskUs@BrevilleUSA.com (in USA)

AskUs@Breville.ca (in Canada)

*HWI Breville® products are distributed in Canada by Anglo Canadian Housewares, L.P. and in USA by Metro/Thebe Inc.

FÉLICITATIONS

pour l'acquisition de votre nouveau Presse-Panini de Breville

signed & engineered in australia

TABLE DES MATIÈRES

- 26** Breville vous recommande la sécurité avant tout
- 30** Faites la connaissance de votre Presse-Panini de Breville
- 32** Fonctionnement de votre Presse-Panini de Breville
- 36** Entretien et nettoyage de votre Presse-Panini de Breville
- 38** Recettes
- 47** Garantie limitée d'un an

BREVILLE VOUS RECOMMANDE LA SÉCURITÉ AVANT TOUT

Chez Breville, la sécurité occupe une place de choix. Nous concevons et fabriquons des produits destinés au consommateur sans jamais perdre de vue la sécurité de notre précieuse clientèle. De plus, nous vous demandons d'être très vigilant lorsque vous utilisez un appareil électroménager et de respecter les mesures de sécurité suivantes:

IMPORTANTES MESURES DE SÉCURITÉ



LIRE TOUTES LES INSTRUCTIONS

- Veuillez lire attentivement toutes les instructions avant de faire fonctionner votre presse-panini et conservez-les pour consultation future.
- Retirez et disposez de tout matériel d'emballage ou étiquettes promotionnelles avant d'utiliser votre presse-panini pour la première fois.
- Pour éviter les risques de suffocation chez les jeunes enfants, retirez et jetez le capuchon protecteur recouvrant la fiche de l'appareil.
- Ne placez pas votre presse-panini sur le bord d'un comptoir ou d'une table lorsque vous l'utilisez. Assurez-vous que la surface de travail soit de niveau, propre et sèche.
- Placez votre presse-panini loin du mur, des rideaux ou de tout autre matériel inflammable ou sensible à la vapeur.
- Ne placez pas le presse-panini sur ou près d'un élément chauffant au gaz ou à l'électricité, et évitez qu'il ne soit en contact avec un four chaud. Éloignez l'appareil du mur lorsque vous l'utilisez.
- Lorsque vous utilisez votre presse-panini, laissez assez d'espace au-dessus et de chaque côté afin d'assurer une bonne circulation d'air autour de l'appareil.

- Ne placez pas votre presse-panini sur une surface inflammable. Nous vous recommandons de recouvrir toute surface d'un napperon isolant.
- N'utilisez pas l'appareil sur le plateau d'égouttement du lavabo.
- Utilisez toujours votre presse-panini sur une surface sèche et de niveau.
- Ne touchez pas aux surfaces chaudes de l'appareil. Soulevez la plaque de cuisson supérieure en utilisant les poignées. Soyez prudent lorsque vous utilisez le levier de réglage de hauteur ajustable.
- Ne laissez pas le presse-panini sans surveillance lorsqu'il est en opération.
- Ne déposez aucun objet sur le couvercle du presse-panini lorsque qu'il est fermé, s'il est en opération ou lorsqu'il est rangé.
- Débranchez toujours l'appareil et laissez-le refroidir après l'utilisation ou avant de le nettoyer, le déplacer, le démonter, le remonter et le ranger.
- N'utilisez pas de produits abrasifs, de nettoyants caustiques ou de nettoyants pour le four lorsque vous nettoyez votre presse-panini.
- Assurez-vous de garder le boîtier et les plaques de cuisson antiadhésives propres. Référez-vous aux consignes de nettoyage contenues dans ce livret à la page 36 (Entretien et nettoyage).

BREVILLE VOUS RECOMMANDE LA SÉCURITÉ AVANT TOUT

- Si l'appareil est muni d'une mise à la terre, la corde de rallonge doit être munie d'une fiche de mise à la terre à trois broches.
- L'utilisation d'accessoires non recommandés par Breville peut causer des blessures.
- Soyez extrêmement prudent lorsque vous manipulez un appareil contenant de l'huile chaude ou tout autre liquide chauds.
- Tout entretien autre que le nettoyage doit se faire dans un centre de service autorisé Breville.
- Cet appareil est conçu pour une utilisation domestique seulement. Ne l'utilisez pas dans un véhicule en mouvement, dans un bateau ou à l'extérieur. Ne l'utilisez que dans le cadre de l'usage recommandé. Un mauvais usage de l'appareil peut causer des blessures.

POUR TOUS LES APPAREILS ÉLECTRIQUES

- Déroulez complètement le cordon d'alimentation avant d'utiliser l'appareil.
- Afin de vous prémunir contre les chocs électriques, ne plongez pas le cordon, la fiche ou l'appareil dans l'eau ou tout autre liquide.
- Ne laissez pas le cordon pendre d'une table ou d'un comptoir, entrer en contact avec des surfaces chaudes ou se nouer.
- Cet appareil ne doit pas être utilisé par des personnes (incluant des enfants) inaptes physiquement ou mentalement, sans l'expérience ou les connaissances requises, à moins d'avoir été au préalable initiés par une personne responsable qui veille à leur sécurité.
- Assurez-vous que les jeunes enfants ne jouent pas avec l'appareil.
- Il est recommandé de vérifier régulièrement l'appareil. Ne l'utilisez pas si le cordon d'alimentation, la fiche ou l'appareil sont endommagés. Rapportez l'appareil dans un centre de service autorisé Breville pour vérification et/ou réparation.

NOTE:

Votre appareil Breville est muni d'une fiche exclusive Assist Plug^{MC} dotée d'une boucle qui laisse passer un doigt afin de permettre le retrait facile et sécuritaire de la fiche. Pour des raisons de sécurité, il est conseillé de brancher l'appareil directement dans une prise murale.

N'UTILISEZ PAS de barre d'alimentation ou de corde de rallonge.

BREVILLE VOUS RECOMMANDE LA SÉCURITÉ AVANT TOUT

RECOMMANDATIONS SUR LE CORDON D'ALIMENTATION

Votre presse-panini de Breville est muni d'un cordon d'alimentation court, très sécuritaire, qui réduit les risques de blessures corporelles ou dommages pouvant être causés par le fait de tirer, trébucher ou s'enchevêtrer dans le cordon. Ne laissez pas les enfants utiliser ou être à proximité de l'appareil sans surveillance.

Si vous devez utiliser une corde de rallonge ou une barre d'alimentation, assurez-vous que la corde ne pende pas d'un comptoir, d'une table ou d'une surface de travail où de jeunes enfants pourraient s'y suspendre ou trébucher.

Afin de prévenir les risques de chocs électriques, de blessures corporelles ou d'incendie, la puissance nominale de la corde de rallonge doit être similaire ou supérieure à celle de l'appareil (la puissance est indiquée sous l'appareil).

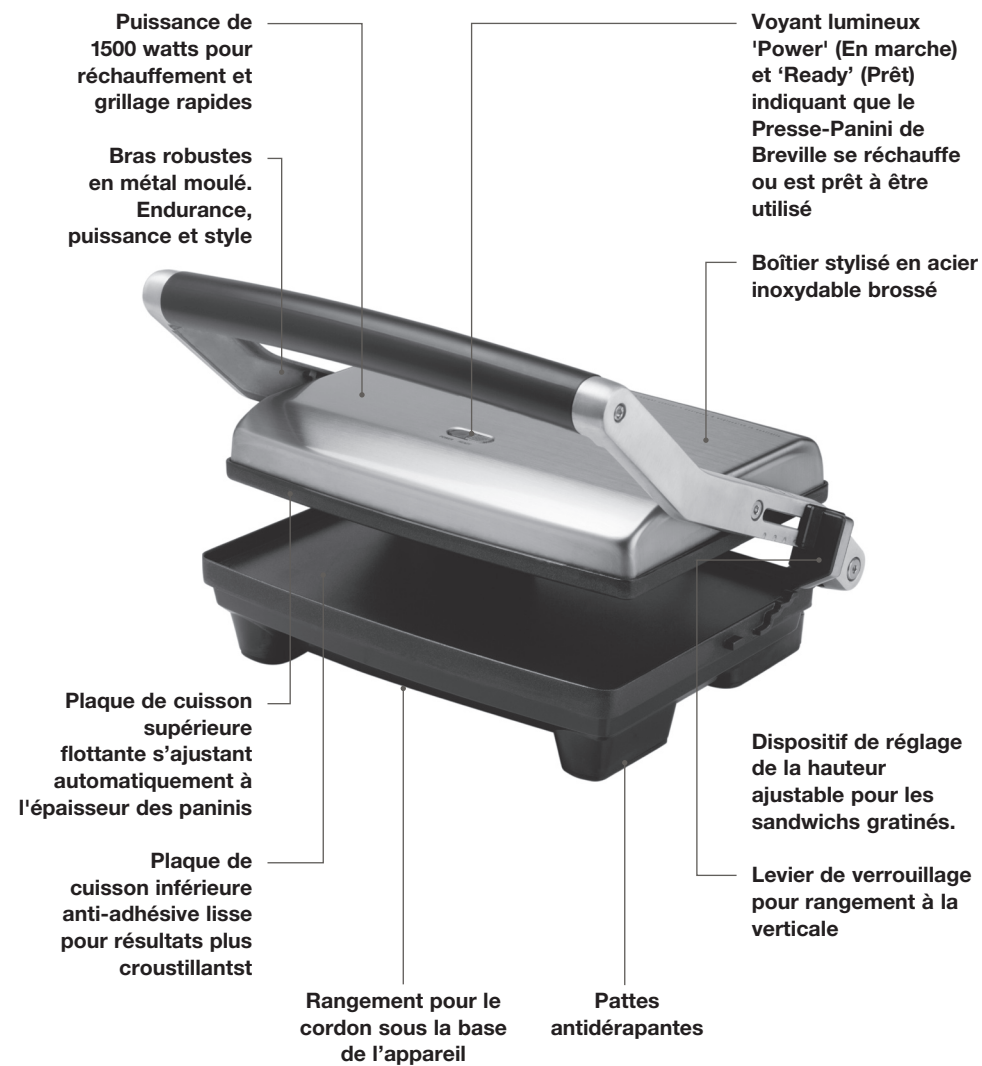
SAUVEGARDEZ CES INSTRUCTIONS UTILISATION DOMESTIQUE SEULEMENT

FAITES LA CONNAISSANCE

de votre Presse-Panini de Breville

FAITES LA CONNAISSANCE DE VOTRE PRESSE-PANINI DE BREVILLE

BSG520XL / BSG540XL



FONCTIONNEMENT

de votre Presse-Panini de Breville

FONCTIONNEMENT DE VOTRE PRESSE-PANINI DE BREVILLE

Avant la première utilisation

Retirez tout matériel d'emballage et étiquettes promotionnelles avant l'utilisation. Assurez-vous que les plaques de cuisson soient propres et exemptes de poussière. Si nécessaire, essuyez avec un chiffon doux et humide.

Lorsque vous utilisez votre presse-panini pour la première fois, vous remarquerez une légère fumée pouvant s'en émaner. Cela est dû au réchauffement de certaines composantes de l'appareil. Il n'y a pas lieu de s'inquiéter.

Utilisation comme presse-panini

1. Branchez la fiche dans une prise de 110/120 V. Le voyant rouge 'ON' s'illuminera.
2. Laissez le presse-panini se réchauffer en gardant la plaque de cuisson supérieure abaissée jusqu'à ce que le voyant vert 'READY' s'illumine.
3. Pendant ce temps, préparez votre panini. Lorsque le voyant lumineux 'Ready' s'illuminera, déposez le panini sur la partie arrière de la plaque de cuisson inférieure.
4. Rabaissez la plaque de cuisson supérieure. Cette plaque de cuisson flottante à charnière a été spécialement conçue pour presser le panini (voir Fig. 1).

5. Le grillage devrait prendre environ 5 à 8 minutes, selon vos goûts. Le type de pain et de garniture influencera également la durée de grillage.
6. Lorsque le panini est prêt, soulevez la plaque de cuisson supérieure du presse-panini par la poignée. Retirez le panini à l'aide d'une spatule de bois ou de plastique. N'utilisez jamais de pinces de métal ou de couteaux car ils pourraient endommager la surface antiadhésive des plaques de cuisson.

NOTE:

Laissez toujours le presse-panini se réchauffer jusqu'à ce que le voyant vert 'READY' s'illumine.

NOTE:

Le levier de verrouillage ne doit pas être utilisé pour tenir la plaque supérieure rabaissée sur les paninis lorsqu'ils sont à l'intérieur du presse-panini. Le poids de la plaque supérieure exercera à elle seule une pression graduelle sur les paninis durant la cuisson.

NOTE:

Lorsque vous utilisez votre presse-panini pour la première fois, vous remarquerez une légère fumée pouvant s'en émaner. Cela est dû au réchauffement de certaines composantes de l'appareil et il n'y a pas lieu de s'inquiéter.



FONCTIONNEMENT DE VOTRE PRESSE-PANINI DE BREVILLE

! LES SURFACES DE L'APPAREIL PEUVENT DEVENIR TRÈS CHAUDES DURANT L'UTILISATION.

DÉROULEZ COMPLÈTEMENT LE CORDON D'ALIMENTATION HORS DE L'ESPACE DE RANGEMENT AVANT L'UTILISATION.

GRILLAGE DES SANDWICHS GRATINÉS

Votre presse-panini est muni d'un dispositif de réglage ajustable de la hauteur qui permet d'ajuster la plaque supérieure à différentes positions au-dessus de la plaque inférieure. Ainsi, vous pourrez vous servir de votre presse-panini comme grille-pain ouvert pour les sandwichs gratinés.

Il peut également servir pour griller les sandwichs et grignotines sans avoir à utiliser la pression de la plaque supérieure.

Sandwichs gratinés

1. Laissez toujours le presse-panini se réchauffer jusqu'à ce que le voyant vert 'READY' s'illumine.
2. Déposez le sandwich ouvert sur la plaque de cuisson inférieure.
3. Ajustez le levier de réglage ajustable de la hauteur situé sur le côté droit du presse-panini à la position désirée (voir Fig. 2).
4. Abaissez lentement la plaque de cuisson supérieure jusqu'à ce qu'elle repose sur le levier de réglage ajustable de la hauteur.
5. La plaque de cuisson supérieure diffusera la chaleur nécessaire pour faire fondre les ingrédients comme le fromage.

6. Le temps de grillage des sandwichs gratinés devrait être de 3-4 minutes. Cependant, la durée exacte dépendra de vos goûts personnels et de la hauteur de la plaque de cuisson supérieure.



Fig. 2

Réglage ajustable de la hauteur

Permet de griller ou faire fondre le fromage en quelques minutes, peu importe l'épaisseur du pain.



FONCTIONNEMENT DE VOTRE PRESSE-PANINI DE BREVILLE

NOTE:

La hauteur peut être ajustée selon l'épaisseur du sandwich gratiné en faisant glisser la levier le long du bras vers le devant ou l'arrière.

CONSEILS POUR DE MEILLEURS RÉSULTATS

Pain

Toutes les sortes de pain peuvent être utilisées: blanc, blé entier, blé concassé, grains entiers, pain aux raisins, etc. Le presse-panini convient à merveille au grillage des focaccia, du pain turc, des baguettes et des petits pains. Le pain aux raisins, les brioches et autres pains sucrés sont à haute teneur en sucre et auront tendance à griller plus vite.

Garniture

Utilisez des fruits en conserve ou pré-cuits au lieu de fruits frais qui seraient trop juteux pour la cuisson. Soyez prudent lorsque vous croquez dans un panini chaud garni de fromage, de tomates ou de confiture, car ces aliments retiennent la chaleur et peuvent causer des brûlures si on les mange trop rapidement.

Variété

La plaque de cuisson lisse est idéale pour griller le pain blanc ou le pain turc, sans garniture ni tartinaie. Elle convient parfaitement à la cuisson des oeufs ou des crêpes pour le petit déjeuner.

Grignotines faibles en gras

Grâce à la surface antiadhésive des plaques de cuisson, vous n'aurez plus besoin de beurrer vos grignotines.

ENTRETIEN ET NETTOYAGE

de votre Presse-Panini de Breville

ENTRETIEN ET NETTOYAGE DE VOTRE PRESSE-PANINI DE BREVILLE

Avant de nettoyer votre presse-panini, débranchez-le et laissez-le tiédir. L'appareil est plus facile à nettoyer lorsqu'il est légèrement chaud.

Nettoyez votre presse-panini après chaque utilisation afin de prévenir l'accumulation de résidus de cuisson.

Essuyez les plaques de cuisson à l'aide d'un chiffon doux. Si des résidus de cuisson persistent, faites fonctionner l'appareil 1-2 minutes, badigeonnez avec un peu d'huile ou de beurre fondu. Laissez reposer 5 minutes puis essuyez avec un chiffon humide.

NOTE:

Les plaques de cuisson sont recouvertes d'un enduit antiadhésif. N'utilisez pas de produits abrasifs.

Rangement

Pour ranger votre presse-panini:

1. Débrancher d'abord l'appareil.
2. Laissez votre presse-panini de Breville refroidir complètement.
3. Faire glisser le levier de réglage ajustable de la hauteur vers l'avant jusqu'en position de verrouillage, afin que les plaques de cuisson supérieure et inférieure soient verrouillées ensemble (voir Fig 3).
4. Enroulez le cordon dans l'espace de rangement situé en-dessous de l'appareil.



Fig. 3

5. Le presse-panini peut être rangé à la verticale ou à plat sur une surface sèche et de niveau.

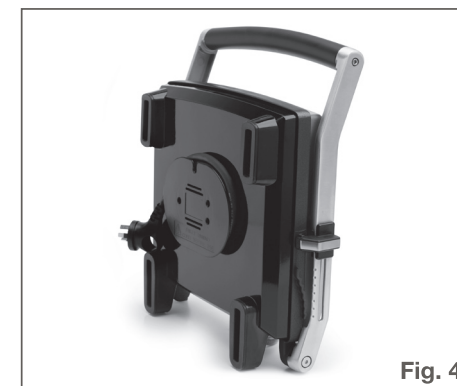


Fig. 4

NOTE:

Le levier de verrouillage ne doit pas être utilisé pour tenir la plaque de cuisson supérieure rabaissée sur les paninis à l'intérieur du presse-panini.



NE PLONGEZ AUCUNE PIÈCE DU PRESSE-PANINI DE BREVILLE DANS L'EAU OU TOUT AUTRE LIQUIDE.

RECETTES

RECETTES - PANINIS & SANDWICHS SAVOUREUX

PANINI À L'OMELETTE AUX HERBES

2 portions

- 3 tranches de bacon tranchées minces
- 1 c. à soupe d'huile extra vierge
- 100g (3,5oz) de petits champignons tranchés
- 1/3 tasse d'échalotes finement coupées
- Poivre noir fraîchement moulu
- 3 oeufs de 60g (2oz) légèrement battus
- 1 c. à soupe de fines herbes fraîchement hachées
- 1/4 tasse de poivron rouge rôti et haché finement
- 1 gros pain focaccia coupé en deux
- 125g (4oz) de fromage suisse tranché

1. Préchauffer le presse-panini jusqu'à ce que le voyant vert 'READY' s'allume.
2. Pendant ce temps, faire griller le bacon dans un poêlon antiadhésif jusqu'à ce qu'il soit croustillant. Retirer du poêlon et réserver. Faire sauter les champignons et les échalotes jusqu'à ce que l'eau soit évaporée. Retirer du feu.
3. Battre les œufs légèrement, poivrer et ajouter les herbes. Verser le mélange sur les champignons. Cuire à feu moyen jusqu'à ce que les œufs soient pris mais encore tendres au centre, à peu près 3-5 minutes.
4. Retirer l'omelette du poêlon et hacher grossièrement.
5. Couper le focaccia en deux. Garnir le sandwich d'omelette, de poivron rouge, de fromage et de bacon.
6. Faire griller le focaccia jusqu'à ce qu'il soit doré, croustillant et chaud à l'intérieur, environ 8 minutes.

Servir avec une salade verte.

PAIN LAVASH AU POULET BAR-B-CUE, MANGUE ET MAYONNAISE D'ARACHIDES

2-3 portions

- 1/4 tasse de mayonnaise
- 1/2 c. à soupe de salsa chilienne
- 1 c. à thé de zeste de lime râpé
- 1/2 c. à soupe de jus de lime
- 125g (4oz) de cubes de mangues en boîte, égouttés
- 1 1/2 c. à soupe d'arachides grillées
- 1 poitrine de poulet barbecue tranchée finement
- 2 tranches de pain Lavash
- 1 avocat tranché

1. Préchauffer le presse-panini jusqu'à ce que le voyant vert 'READY' s'allume.
2. Mélanger la mayonnaise, la salsa, le zeste, le jus de lime, les cubes de mangue, les arachides et le poulet.
3. Étendre le mélange de poulet sur chaque tranche de pain Lavash. Recouvrir de tranches d'avocat et rouler fermement.
4. Faire griller le pain Lavash jusqu'à ce qu'il soit doré, croustillant et chaud à l'intérieur, environ 8 minutes.

Trancher en diagonales, accompagné de salade verte.

RECETTES - PANINIS & SANDWICHS SAVOUREUX

THON ET ARTICHAUT

2 portions

2 petits pains ronds, moyens
100g (3.5oz) de pâte d'olive noire
200g (7oz) de thon en boîte, égoutté
6 coeurs d'artichaut marinés
125g (4oz) de fromage Brie, tranché finement

1. Préchauffer le presse-panini jusqu'à ce que le voyant vert 'READY' s'illumine.
2. Couper les petits pains en deux et les recouvrir de pâte d'olive. Ajouter le thon, les artichauts et le fromage.
3. Faire griller les petits pains jusqu'à ce qu'ils soient dorés, croustillants et chauds à l'intérieur, environ 8 minutes.

KEBABS AU ROSBIF

2-3 portions

2 pains Pita ronds
70g (2.5oz) de fromage à la crème
3 c. à à thé de moutarde en grains
½ c. à soupe de jus de citron
1/3 tasse de betteraves en conserve, râpées et égouttées
100g (3.5oz) d'émincé de rosbif saignant
70g (2.5oz) d'aubergine rôtie marinée

1. Préchauffer le presse-panini jusqu'à ce que le voyant vert 'READY' s'illumine.
2. Mélanger le fromage à la crème, la moutarde et le jus de citron. Étendre le mélange au fromage à la crème sur chaque pain Pita. Ajouter les betteraves, le rosbif et l'aubergine.
3. Faire griller les pains Pita jusqu'à ce qu'ils soient dorés, croustillants et chauds à l'intérieur, environ 10 minutes.

Servir en tranches.

SANDWICH CÉSAR CHAUD

2 portions

3 tranches de bacon minces
2 pains turcs ronds
1 poitrine de poulet barabecue, désossée et tranchée finement
1 œuf à la coque, bien cuit et tranché
¼ tasse de croûtons à l'ail
30g (1oz) de jeunes pousses d'épinards
60g (2oz) de parmesan fraîchement râpé
Vinaigrette César

1. Préchauffer le presse-panini jusqu'à ce que le voyant vert 'READY' s'illumine.
2. Pendant ce temps, faire revenir le bacon dans un poêlon antiadhésif jusqu'à ce qu'il soit croustillant. Couper le pain turc en deux pour en faire des sandwiches. Garnir de bacon, d'œuf, de croûtons, d'épinard et de fromage.
3. Faire griller les pains turcs jusqu'à ce qu'ils soient dorés, croustillants et chauds à l'intérieur, environ 6 minutes.

Servir avec un filet de vinaigrette César.

RECETTES - PANINIS & SANDWICHS SAVOUREUX

PETITS PAINS MÉDITERRANÉENS

2-3 portions

2 petits pains ronds
2 c. à soupe de pesto
100g (3.5oz) d'aubergine rôtie marinée
125g (4oz) poivrons rouges grillés et marinés
60g (2oz) de patate sucrée grillée et tranchée
100g (3.5oz) tomates séchées marinées et égouttées
60g (2oz) de champignons tranchés
100g (3.5oz) de fromage suisse en tranches

1. Préchauffer le presse-panini jusqu'à ce que le voyant vert 'READY' s'illumine.
2. Couper les petits pains en deux et tartiner de pesto. Ajouter l'aubergine, le poivron, la patate sucrée, les tomates séchées, les champignons et le fromage.
3. Faire griller les petits pains jusqu'à ce qu'ils soient dorés, croustillants et chauds à l'intérieur, environ 8 minutes.

ANTIPASTO AU PAIN DE SEIGLE

2-3 portions

4 tranches de pain de seigle
½ c. à soupe d'huile extra vierge
1 c. à soupe de pâte de tomates séchées
60g (2oz) de hummus
4 feuilles de vignes farcies
200g (7oz) de coeurs d'artichauts, égouttés et tranchés
4 tranches de fromage suisse

1. Préchauffer le Panini Press^{MC} de Breville jusqu'à ce que le voyant vert 'READY' s'illumine.
2. Mélanger l'huile et la pâte de tomate. Étendre sur le pain de seigle et ajouter l'hummus, les artichauts et le fromage et recouvrir des tranches de pain restantes, pour obtenir 2 sandwiches.
3. Faire griller les sandwiches jusqu'à ce qu'ils soient dorés, croustillants et chauds à l'intérieur, environ 8 minutes.

Servir coupés en deux.

RECETTES - PANINIS & SANDWICHS SAVOUREUX

PANINI AU GORGONZOLA

2 portions

- 30g (1oz) de beurre à l'ail et aux herbes
- 4 tranches de pain de campagne
- 50g (1.5oz) d'épinards
- 60g (2oz) de fromage Gorgonzola, émietté
- 60g (2oz) de poivron rouge rôti mariné

1. Préchauffer le presse-panini jusqu'à ce que le voyant vert 'READY' s'allume.
2. Étendre le beurre à l'ail sur les tranches de pain. Ajouter les épinards, le fromage et le poivron.
3. Faire griller le panini jusqu'à ce qu'il soit doré, croustillant et chaud à l'intérieur, environ 6 minutes.

Servir coupé en deux.

BAGUETTE AU PROSCIUTTO

2 portions

- 2 baguettes moyennes
- 80g (2.75oz) de prosciutto tranché finement
- 75g (2.5oz) de fromage Bocconchini
- 4 feuilles de basilic
- Poivre fraîchement moulu
- 1 c. à soupe d'huile extra vierge

1. Préchauffer le presse-panini jusqu'à ce que le voyant vert 'READY' s'allume.
2. Couper les baguettes en deux. Étaler le prosciutto, le fromage et le basilic. Assaisonner au goût et garnir d'un filet d'huile.
3. Faire griller les baguettes jusqu'à ce qu'elles soient dorées, croustillantes et chaudes à l'intérieur, environ 6-8 minutes.

Servir coupées en deux.

FROMAGE DE CHÈVRE ET POIVRON RÔTI

2 portions

- 1 gros pain focaccia
- 90g (3oz) de fromage de chèvre ramolli
- ½ c. à soupe de persil italien, haché grossièrement
- ½ c. à soupe de basilic, haché grossièrement
- 1 gousse d'ail, hachée finement
- 1 c. à soupe de câpres égouttées
- 1 c. à soupe de jus de citron
- ½ c. à soupe de sauce Chili thaïlandais douce
- 60g (2oz) de zucchini rôti mariné
- 50g (1.5oz) de tomates séchées

1. Préchauffer le presse-panini jusqu'à ce que le voyant vert 'READY' s'allume.
2. Couper les pains focaccia en deux pour en faire deux sandwiches. Mélanger le fromage de chèvre, le persil, le basilic, l'ail, les câpres, le jus de citron et la sauce Chili. Étendre le mélange sur les pains. Garnir de zucchini et de tomates.
3. Faire griller les sandwiches jusqu'à ce qu'ils soient dorés, croustillants et chauds à l'intérieur, environ 8 minutes.

RECETTES - PANINIS & SANDWICHS SAVOUREUX

SANDWICH AUX CREVETTES ET CRESSON

2 portions

- 4 tranches de pain de blé entier
- 70g (2.5oz) de fromage à la crème, ramolli
- 60g (2oz) de beurre à l'ail et aux herbes
- 75g (2.5oz) de cresson
- 400g (13.5oz) de crevettes géantes, pelées, décortiquées et légèrement cuites

1. Préchauffer le presse-panini jusqu'à ce que le voyant vert 'READY' s'allume.
2. Mélanger le fromage à la crème et le beurre à l'ail et étendre sur 2 tranches de pain. Ajouter le cresson et les crevettes et former 2 sandwiches.
3. Faire griller les sandwiches jusqu'à ce qu'ils soient dorés, croustillants et chauds à l'intérieur, environ 8 minutes.

RÔTIES AU FROMAGE FONTINA

2 portions

- 4 tranches de pain blanc
- 100g (3oz) de fromage Fontina tranché
- 100g (3oz) de poivrons rouges grillés et marinés
- 100g (3oz) de champignons marinés tranchés
- Poivre noir fraîchement moulu

1. Préchauffer le presse-panini jusqu'à ce que le voyant vert 'READY' s'allume.
2. Étaler sur 2 tranches de pain le fromage, le poivron et les champignons, en alternant. Poivrer au goût et former 2 sandwiches.
3. Faire griller les sandwiches jusqu'à ce qu'ils soient dorés, croustillants et chauds à l'intérieur, environ 6-8 minutes.

NOTE:

Vous pouvez remplacer le fromage Fontina par du Parmesan ou du Romano.

POULET GRILLÉ ET SALADE VERTE

2 portions

- 1 poitrine de poulet grillée, désossée et tranchée
- 1 gousse d'ail tranchée finement
- ⅓ tasse de persil haché
- 1 c. à soupe de sauge finement hachée
- ¼ tasse d'olives vertes farcies au piment, hachées
- 1 c. à soupe de câpres égouttées
- 1 c. à soupe d'huile extra vierge
- 1 c. à soupe de zeste de lime haché finement
- ½ c. à soupe de jus de citron
- 4 grandes tranches de pain Ciabatta
- 4 grandes tranches de fromage suisse

1. Préchauffer le presse-panini jusqu'à ce que le voyant vert 'READY' s'allume.
2. Mélanger le poulet, l'ail, le persil, la sauge, les olives, les câpres, l'huile, le zeste de lime et le jus de citron. Étendre sur 2 tranches de pain et couvrir des tranches de fromage. Former 2 sandwiches.
3. Faire griller les sandwiches jusqu'à ce qu'ils soient dorés, croustillants et chauds à l'intérieur, environ 8-10 minutes.

RECETTES - PANINIS & SANDWICHS SAVOUREUX

SANDWICHS CROUSTILLANTS À L'ESPADON

2 portions

250g (8oz) de files d'espadon tranché finement

1½ c. à soupe d'huile extra vierge

2 c. à soupe de fines herbes hachées (basilic, ciboulette à l'ail, thym, aneth)

½ c. à thé de paprika

Sel et poivre noir fraîchement moulu, au goût

1 gros pain focaccia

2 c. à soupe de mayonnaise

4 tranches de tomate

½ c. à soupe de câpres égouttées

6 jeunes pousses d'épinard

1. Préchauffer le presse-panini jusqu'à ce que le voyant vert 'READY' s'illumine.
2. Badigeonner les filets de poisson avec la moitié de l'huile. Enrober-les du mélange d'herbes et de paprika et assaisonner.
3. Chauffer l'huile dans un poêlon. Faire griller le poisson jusqu'à coloration. Retirer et égoutter.
4. Couper le pain focaccia en deux pour en faire un sandwich et tartiner de mayonnaise. Ajouter le poisson, les tomates, les câpres et les épinards.
5. Faire griller le focaccina jusqu'à ce qu'il soit doré, croustillant et chaud à l'intérieur, environ 5 minutes.

NOTE:

Les tranches de focaccia devront être coupées en deux, si elles sont trop grandes pour le presse-panini.

PAIN PITA À L'AGNEAU ÉPICÉ

2-3 portions

1 c. à soupe d'huile

125g (4oz) d'agneau haché

2 c. à soupe d'oignon finement haché

½ tasse de tomates en dés

1 c. à soupe de menthe fraîche hachée

¼ c. à thé de coriandre en poudre

Pincée de gingembre en poudre

½ c. à thé de cumin en poudre

¼ c. à thé de curcuma

Sel et poivre au goût

3 pains Pita

3 tranches de fromage suisse

Sauce Tatziki

1. Préchauffer le presse-panini jusqu'à ce que le voyant vert 'READY' s'illumine.
2. Chauffer l'huile dans une poêle antiadhésif, faire sauter l'agneau haché avec l'oignon, les tomates, les épices et l'assaisonnement. Laisser griller jusqu'à coloration. Égoutter.
3. Séparer les pains Pita en deux de façon à former des pochettes. Ajouter le mélange d'agneau et une tranche de fromage suisse dans chaque pochette.
4. Faire griller les pains Pita jusqu'à ce qu'ils soient dorés, croustillants et chauds à l'intérieur, environ 10 minutes.

Servir accompagné de sauce Tatziki.

RECETTES - PANINIS & SANDWICHS SUCRÉS

PANINI GRILLÉ AU CHOCOLAT

2 portions

80g (2.75oz) de fromage à la crème ramolli

4 tranches de pain de campagne

250g (8oz) de chocolat mi-sucré, grossièrement râpé

Crème glacée à la vanille

1. Préchauffer le presse-panini jusqu'à ce que le voyant vert 'READY' s'illumine.
2. Étaler le fromage à la crème sur les tranches de pain et saupoudrer de chocolat râpé. Former 2 sandwiches.
3. Faire griller les sandwiches jusqu'à ce qu'ils soient dorés, croustillants et chauds à l'intérieur, environ 6 minutes.

Servir avec de la crème glacée à la vanille.

SANDWICHS CROUSTILLANTS AUX PETITS FRUITS ET À LA MASCARPONE

2 portions

100g (3.5oz) de Mascarpone

4 tranches de pain de campagne

½ petit panier de fraises, équeutées et tranchées

½ petit panier de framboises

1 c. à soupe de miel

1. Préchauffer le presse-panini jusqu'à ce que le voyant vert 'READY' s'illumine.
2. Étaler le fromage Mascarpone sur les tranches de pain. Ajouter les fruits et un filet de miel et former 2 sandwiches.
3. Faire griller les sandwiches jusqu'à ce qu'ils soient dorés, croustillants et chauds à l'intérieur, environ 8 minutes.

BRIOCHE CROUSTILLANTE AUX PETITS FRUITS ET À LA CRÈME GLACÉE

2 portions

½ barquette de fraises équeutées

½ barquette de bleuets

½ barquette de framboises

¼ tasse de porto

1 brioche entière

Crème glacée à la vanille

Sucre à glacer

1. Préchauffer le presse-panini jusqu'à ce que le voyant 'READY' s'illumine.
2. Mélanger en purée les fruits et le porto jusqu'à consistance crémeuse. Réserver. Couper la brioche en 4 tranches et faire griller, environ 5 minutes.
3. Déposer les tranches grillées sur 2 grandes assiettes blanches. Couvrir de crème glacée et d'un filet de sauce aux fruits.

Saupoudrer de sucre à glacer et servir immédiatement.

RECETTES - PANINIS & SANDWICHS SUCRÉS

SANDWICHS SUCRÉS À LA NECTARINE

2 portions

- 40g (1.5oz) de beurre non salé, ramolli
- 4 tranches de pain de soya et grain de lin
- 2 nectarines, pelées et tranchées
- 1 c. à thé de cannelle moulue
- 2 c. à soupe de sucre en poudre

1. Préchauffer le presse-panini jusqu'à ce que le voyant 'READY' s'illumine.
2. Étaler le beurre sur les tranches de pain. Ajouter la nectarine tranchée, saupoudrer de sucre à la cannelle et former 2 sandwichs.
3. Faire griller les sandwichs jusqu'à ce qu'ils soient dorés, croustillants et chauds à l'intérieur, environ 8 minutes.

FOCACCIA SUCRÉ AUX FIGUES

2 portions

- 2 petits pains ronds focaccia
- 80g (2.75oz) de fromage Ricotta
- 3 figues fraîches, tranchées finement
- 6 petites feuilles de menthe fraîche
- 1 c. à soupe de sucre à glacer

1. Préchauffer le presse-panini jusqu'à ce que le voyant 'READY' s'illumine.
2. Couper les pains focaccia en deux pour en faire 1 sandwich. Étaler le fromage Ricotta sur le pain. Ajouter les figues, les feuilles de menthe et saupoudrer de sucre à glacer.
3. Faire griller le sandwich jusqu'à ce qu'il soit doré, croustillant et chaud à l'intérieur, environ 8 minutes.

GARANTIE LIMITÉE D'UN AN

Breville® garantit cet appareil contre tous défauts causés par un matériau ou une fabrication défectueuse pendant une période d'un an suivant la date d'achat initial par le consommateur. La présente garantie ne couvre pas les dommages dus aux abus, à la négligence, à un usage commercial ou à tout autre usage non prévu dans le livret d'instructions. Aucune garantie ne couvre les pièces en verre, les cruches en verre, les paniers-filtre, les lames et les agitateurs. HWI Breville décline toute responsabilité en cas de dommages ou pertes consécutifs à l'usage de cet appareil.

TOUTE GARANTIE DE VALEUR MARCHANDE OU D'APTITUDE DE CE PRODUIT EST ÉGALEMENT LIMITÉE À LA PÉRIODE D'UN AN PRÉVUE PAR LA GARANTIE LIMITÉE.

Certains états ou provinces ne permettent pas cette exclusion ou limitation des pertes connexes ou consécutives et il se pourrait que la dénégaration qui précède ne s'applique pas à vous.

La présente garantie vous accorde certaines garanties juridiques particulières et il se pourrait que vous ayez également d'autres garanties juridiques susceptibles de varier d'un état à l'autre ou d'une province à l'autre.

Si l'appareil devient défectueux dans les limites de la période de garantie, ne retournez pas l'appareil au magasin.

Veillez communiquer avec notre centre de service à la clientèle.

Numéro de téléphone sans frais:

1-866-BREVILLE (1-866-273-8455)

Courriel:

AskUs@BrevilleUSA.com (E-U)

AskUs@Breville.ca (CANADA)

*Les produits Breville sont distribués au Canada par la compagnie Anglo Canadian L.P. et aux USA par Metro/Thebe inc.

Breville®

Breville Customer Service Center

US Customers

Mail: 19400 S.Western Ave
Torrance
CA 90501-1119

Phone: Customer Service
1 (866) BREVILLE

Email: Customer Service
askus@brevilleusa.com

Canada Customers

Mail: Anglo Canadian
2555, Avenue de l'Aviation
Pointe-Claire (Montreal)
Quebec
H9P 2Z2

Phone: Customer Service:
1 (866) BREVILLE

Email: Customer Service
askus@breville.ca

www.breville.com

Breville is a registered trademark of Breville Pty Ltd. A.B.N. 98 000 092 928.

USA: 19400 S.Western Ave, Torrance, CA90501-1119, Tel: 1 866 BREVILLE.

CANADA: 2555, Avenue de l'Aviation, Pointe-Claire (Montreal) Quebec, H9P2Z2. Tel: 1 866 BREVILLE

Copyright Breville Pty Ltd 2008. Due to continued product improvement, the products illustrated/photographed in this brochure may vary slightly from the actual product.

Model BSG520XL / BSG540XL Issue NA-1/09

Free Manuals Download Website

<http://myh66.com>

<http://usermanuals.us>

<http://www.somanuals.com>

<http://www.4manuals.cc>

<http://www.manual-lib.com>

<http://www.404manual.com>

<http://www.luxmanual.com>

<http://aubethermostatmanual.com>

Golf course search by state

<http://golfingnear.com>

Email search by domain

<http://emailbydomain.com>

Auto manuals search

<http://auto.somanuals.com>

TV manuals search

<http://tv.somanuals.com>