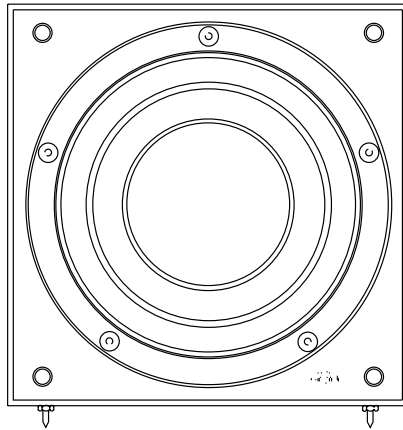


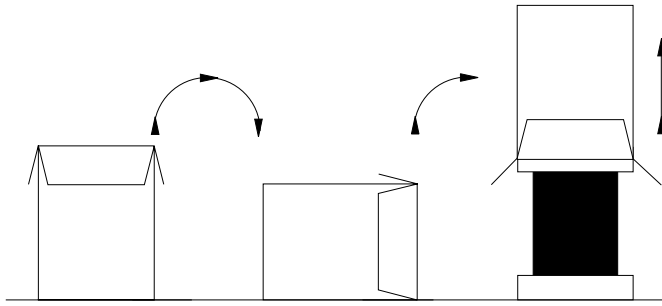
ASW™ 2500

Owner's Manual



LISTEN AND YOU'LL SEE

Figure 1



ASW™2500 Owner's manual

English1
 Français4
 Deutsch8
 Español11
 Português15
 Italiano18
 Nederlands21
 Dansk24
 Ελληνικά26
 Русский30
 Svenska34
 Norsk34
 Suomi34

Figure 2

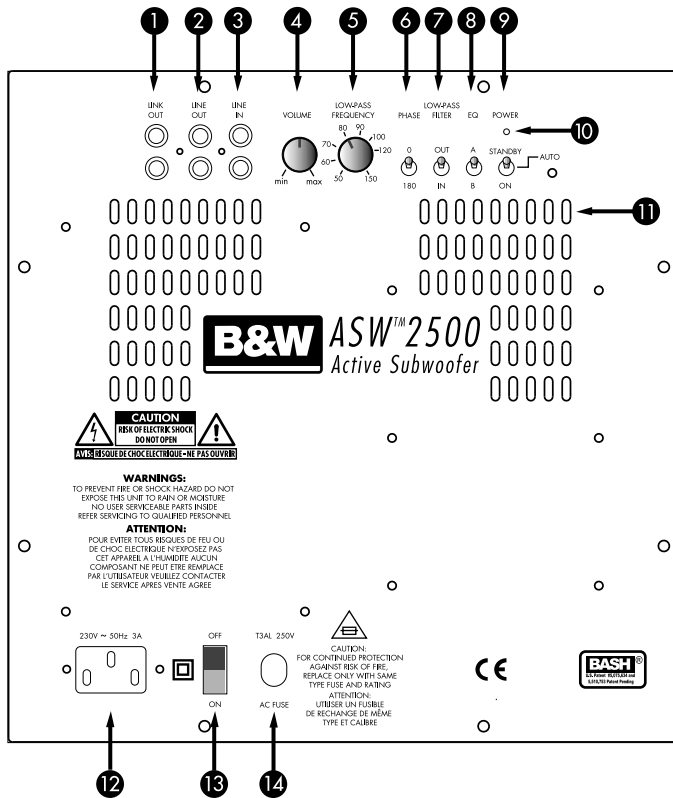


Figure 3

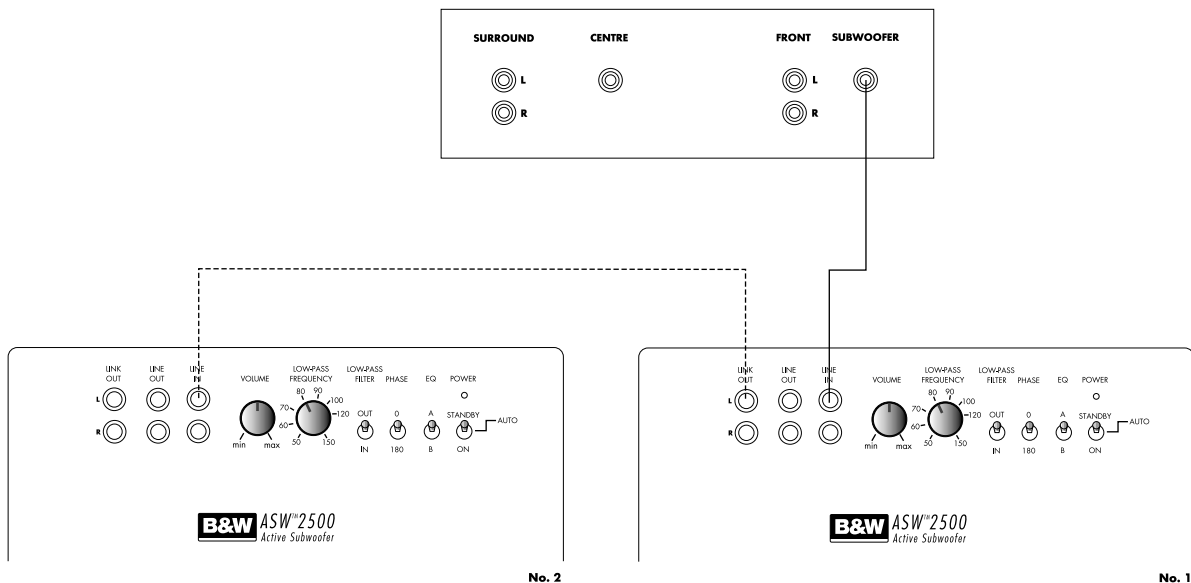


Figure 4

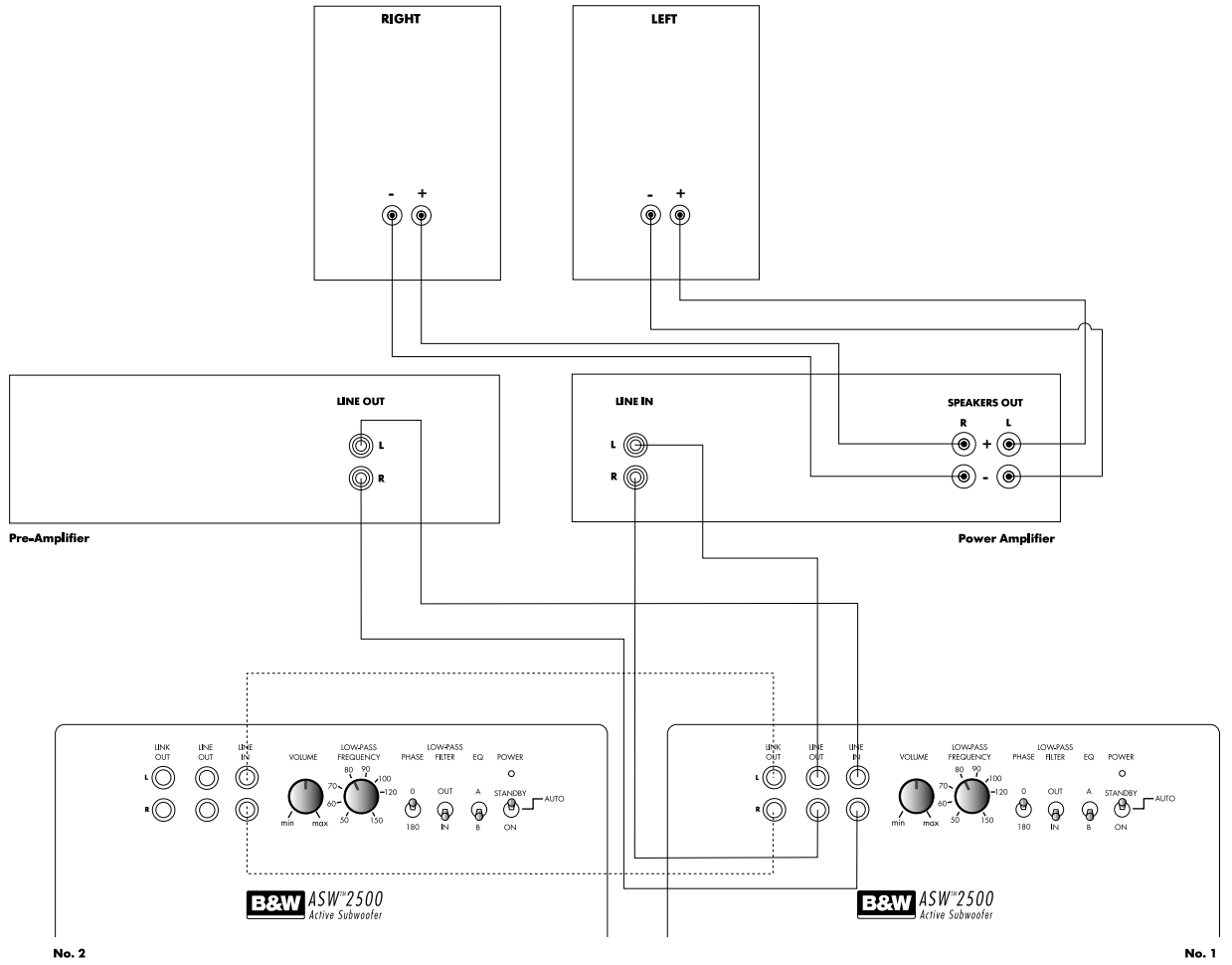
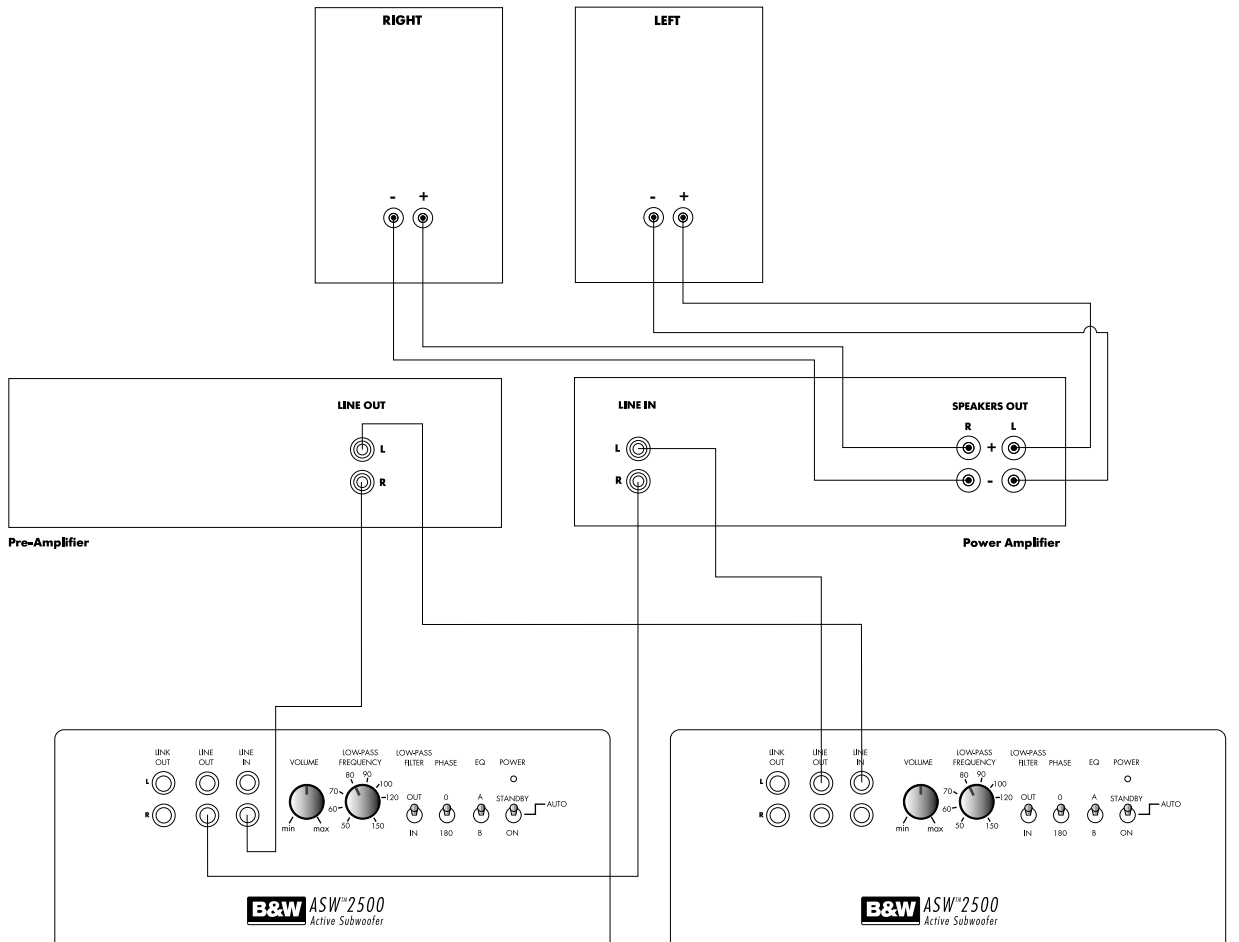


Figure 5



IMPORTANT SAFETY INSTRUCTIONS



CAUTION
RISK OF ELECTRIC SHOCK
DO NOT OPEN



Caution:

To reduce the risk of electric shock, do not remove the back panel. No user-serviceable parts inside. Refer servicing to qualified personnel.

Explanation of Graphical Symbols:



The lightning flash within an equilateral triangle is intended to alert you to the presence of uninsulated "dangerous voltage" within the product's enclosure that may be of sufficient magnitude to constitute an electric shock to persons.



The exclamation point within an equilateral triangle is intended to alert you to the presence of important operating and maintenance (servicing) instructions in the literature accompanying the appliance.

- 1 Read Instructions – All the safety and operating instructions should be read before the appliance is operated.
- 2 Retain Instructions – The safety and operating instructions should be retained for future reference.
- 3 Heed Warnings – All warnings on the appliance and in the operating instructions should be adhered to.
- 4 Follow Instructions – All operating and use instructions should be followed.
- 5 Cleaning – Unplug the product from the wall outlet before cleaning. Refer to the cleaning instructions in the section of the manual titled "Aftercare".
- 6 Attachments – Do not use attachments not recommended by the product manufacturer, as they may cause hazards.
- 7 Water and Moisture – Do not use this product near water – for example, near a bathtub, washbowl, kitchen sink, laundry tub, in a wet basement, or near a swimming pool and the like.
- 8 Accessories – Do not place this product on an unstable cart, stand, tripod, bracket or table. The product may fall, causing serious injury to a child or adult, and serious damage to the product. Use only with a cart, stand, tripod, bracket or table recommended by the manufacturer or sold with the product. Any mounting of the product should follow the manufacturer's instructions and should use a mounting accessory recommended by the manufacturer.
- 9 A product and cart combination should be moved with care. Quick stops, excessive force and uneven surfaces may cause the product and cart combination to overturn.
- 10 Ventilation – Openings in the rear control panel are provided for ventilation and to ensure reliable operation of the product and to prevent it from overheating, and these openings must not be blocked or covered. The panel itself forms part of the cooling mechanism and must not be obscured by placing the product on a bed, sofa, rug, or other similar surface. The product should not be placed in a built-in installation, such as a rack, bookcase or cabinet unless proper ventilation is provided or the manufacturer's instructions have been adhered to.
- 11 Power Sources – This product should be operated only from the type of power source indicated on the marking label situated on the rear panel above the power input socket. If you are not sure of the type of power supply to your home, consult your product dealer or local power company.
- 12 Grounding or Polarisation – The appliance is not required to be grounded. Versions of the product marked for use with 120V power supplies are equipped with a power cord fitted with a polarised alternating line plug (a plug having one blade wider than the other). This plug will fit onto the power outlet only one way. This is a safety feature. If you are unable to insert the plug fully into the outlet, try reversing the plug. If the plug should still fail to fit, contact your electrician to replace your obsolete outlet. Do not defeat the safety purpose of the polarised plug. When using an extension power-supply cord or a power-supply cord other than that supplied with the appliance, it should be fitted with the appropriate moulded-on plugs and carry safety approval appropriate to the country of use.
- 12 Power Cord Protection – Power-supply cords should be routed so that they are not likely to be walked on or pinched by items placed on or against them, paying particular attention to cords at plugs, convenience receptacles and the point where they exit from the appliance.
- 13 Overloading – Do not overload wall outlets, extension cords or integral convenience receptacles, as this can result in a risk of fire or electric shock.
- 14 Non-use Periods – The power cord of the appliance should be unplugged from the outlet when left unused for a long period of time.
- 15 Object and Liquid Entry – Never push objects of any kind into this product through openings, as they may touch dangerous voltage points or short out parts that could result in a fire or electric shock. Never spill liquid of any kind on the product.
- 16 Servicing – Do not attempt to service this product yourself, as opening or removing covers may expose you to dangerous voltage or other hazards. Refer all servicing to qualified service personnel.
- 17 Damage Requiring Service – Unplug this product from the wall outlet and refer servicing to qualified personnel under the following conditions:
 - a When the power-supply cord or plug has been damaged.
 - b If liquid has been spilled or objects have fallen into the appliance.
 - c If the product has been exposed to rain or water.
 - d If the product does not operate normally by following the operating instructions. Adjust only those controls that are covered by the operating instructions, as an improper adjustment of other controls may result in damage and will often require extensive work by a qualified technician to restore the product to its normal operation.
 - e If the product has been dropped, or damaged in any way.
 - f When the product exhibits a distinct change in performance – this indicates a need for service.
- 18 Replacement Parts – When replacement parts are required, be sure the service technician has used replacement parts specified by the manufacturer or have the same characteristics as the original part. Unauthorised substitutions may result in fire, electric shock or other hazards.
- 19 Safety Check – Upon completion of any service or repairs to this product, ask the service technician to perform safety checks to determine that the product is in proper operating condition.
- 20 Wall or Ceiling Mounting – The product should be mounted to a wall or ceiling only as recommended by the manufacturer.
- 21 Heat – The product should be situated away from heat sources such as radiators, heat registers, stoves, or other products (including amplifiers) that produce heat.

WARNINGS:

CAUTION: 120V versions of the product are supplied with a power cord equipped with a polarised plug. To prevent electric shock, match wide blade of plug to wide slot, fully insert.

Ensure the plug is fully inserted into the wall outlet or extension cord receptacle to prevent blade or pin exposure.

To prevent fire or shock hazard, do not expose this equipment to rain or moisture.

Observe all warnings on the equipment itself.

To avoid electrical shock, do not open the enclosure or remove the amplifier from the rear panel. There are no user serviceable parts inside. Refer all service questions to an authorised B&W dealer.

Ensure that the voltage indicated on the amplifier panel matches that of the power supply.

The mains fuse holder is located on the back panel of the amplifier module. Replacement fuse must be of the same type and rating as supplied and marked on the product.

The product does not require earthing (grounding).

Ensure the product is adequately ventilated. Do not prevent air from circulating round the rear amplifier panel. Do not obscure or block the openings in the panel. Do not use the product in a rack, bookcase, cabinet or cupboard unless the volume behind the product is adequately ventilated to the room space.

Check that there are no cables under the carpet that may be damaged by the spike feet.

Do not walk the product on the spike feet as this may cause them to become detached from the cabinet and cause damage.

Take care not to impale yourself with the spike feet when moving the product.

Introduction

Thank you for purchasing the B&W ASW™2500 Active Subwoofer.

Since its foundation in 1966, the continuing philosophy of B&W has been the quest for perfect sound reproduction. Inspired by the company's founder, the late John Bowers, this quest has entailed not only high investment in audio technology and innovation but also an abiding appreciation of music and the demands of film sound to ensure that the technology is put to maximum effect.

The ASW™2500 has been designed for Home Theatre installations and to augment the bass performance of full-range speakers in 2-channel audio use. Adding the subwoofer to your system not only extends the bass to lower frequencies, it improves the midrange clarity by reducing the low-frequency demands on your existing speakers.

Please read through this manual fully before

using the subwoofer. All sound installations require some planning and experimentation if you are to get the best out of the products used and this manual will guide you in this process.

As the subwoofer is connected to the electricity power supply, it is important that you familiarise yourself with the safety instructions and heed all warnings.

Keep this manual in a safe place for future reference.

B&W loudspeakers are distributed to over 60 countries worldwide and we maintain an international network of carefully chosen and dedicated distributors. If you have a problem, which your dealer cannot resolve, our distributors will be more than willing to assist you.

Unpacking

(figure 1)

The easiest way to unpack the subwoofer and avoid damage is as follows:

- Open the carton flaps right back and invert the carton and contents.
- Lift the carton away from the product.

We recommend that you retain the packaging for future use.

In addition to this manual, the carton should contain:

- 1 Subwoofer
- 1 Accessory pack containing:
 - 4 Rubber feet
 - 4 Spike feet
 - 4 Lock nuts
- 1 International warranty document

A tour of the subwoofer

(figure 2)

- 1 LINK OUT sockets
- 2 LINE OUT sockets
- 3 LINE IN sockets
- 4 VOLUME control
- 5 LOW-PASS FREQUENCY control
- 6 PHASE switch
- 7 LOW-PASS FILTER defeat switch
- 8 EQualisation switch
- 9 POWER On/Auto/Standby switch
- 10 Power/Standby indicator
- 11 Ventilation holes
- 12 Power input socket
- 13 Power isolator switch (230V versions only)
- 14 Fuse holder

Positioning the subwoofer

Because the subwoofer produces only low-frequency sounds, positioning is less critical in some respects compared to full-range speakers. Directional information is much less precise and you have more choice where to place the speakers to good effect. This said, best results are obtained if the subwoofer is placed between the satellite speakers or in the vicinity of one of them. If you use two subwoofers, it is best to put one near each satellite speaker.

Placing the subwoofer behind the listeners, even in surround sound installations, generally gives inferior imaging, but may be an acceptable compromise if domestic considerations dictate.

As with all speakers, the proximity of room boundaries affects the sound. Bass is generally increased as more surfaces come into close proximity with the speakers. Unlike full-range speakers, however, you can always restore the correct overall system balance by adjusting the volume level of the subwoofer. The more boost you get from the room, the less hard the speaker has to work; but there is a down side. Corner positions often excite more low-frequency room resonances, making the bass more uneven with frequency. There is no substitute for experiment as all rooms behave differently, so try the subwoofer in a variety of positions before making a final decision. A piece of music with a bass line ascending or descending the musical scale is useful for assessing the smoothness of the bass response. Listen for exaggerated or quiet notes. Having a separate subwoofer does enable you to optimise for room resonances independently from siting the satellite speakers for best imaging.

If the subwoofer is to be used in a confined space (eg in custom furniture), the space must be ventilated to allow sufficient air to circulate and cool the unit. Ask your dealer for advice.

The subwoofer is supplied with four spike feet. The spikes pierce through carpet pile, giving a firm support directly to the floor surface without crushing the pile.

If the unit is to be placed on a vulnerable surface, such as a wooden floor, either place a protective disc under each spike or fit the four rubber feet in place of the spikes.

When fitting either the rubber feet or the spike feet, first screw the lock nuts fully onto the thread and then screw the feet fully onto the threaded inserts in the base of the cabinet. If the unit rocks, loosen the relevant two opposing feet until the support is firm, then re-tighten the lock nuts to the inserts.

Electrical connections

Disconnect all sound system equipment from the power supply until the signal connections have been made and checked. This avoids the risk of damage whilst connections are made or broken.

The function of the subwoofer is to receive signals from the amplification chain and, where

necessary for 2-channel audio, split the signal into low bass and higher frequencies and feed the latter back out to the satellite speakers. Left and right channel inputs may be combined into a single mono low bass feed to the subwoofer drive unit if required.

The subwoofer will input and output line-level signals via the RCA Phono sockets located on the back panel.

Use the following table to select the correct wiring method for your installation:

Application: Home Theatre

The subwoofer may be used with any decoder that has a line-level subwoofer output (normally from an RCA Phono socket). Most decoders with integral power amplifiers still output the subwoofer or Low-Frequency Effects (LFE) signal at line level.

- Decoder with one or more subwoofers – fig. 3

Application: 2-channel audio

Separate pre- & power amplifiers:

- a One or more subwoofers with output combined into a single mono signal – fig. 4
- b Two subwoofers with separate left and right signal – fig. 5

The ASW™2500 is not suitable for use with 2-channel integrated pre/power amplifiers, unless they feature a line level output from the pre-amplifier.

Using more than one subwoofer

Using more than one unit in a single installation can improve performance in the following ways:

- Maintain stereo separation to the lowest frequencies.
- Cope with larger listening rooms.
- Enable greater maximum sound output – often useful for effectively reproducing special effects in Home Theatre applications.
- Smooth out the effects of low-frequency room resonances.

If you are using two subwoofers for 2-channel audio, separation is improved if each channel has its own subwoofer, providing each one is placed close to the relevant satellite speaker. Only use the mono connection of figure 4 if you cannot place each subwoofer close to its satellite speaker.

Double-check the connections

ENSURE THAT THE VOLTAGE INDICATED ON THE AMPLIFIER PANEL MATCHES THAT OF THE POWER SUPPLY.

Before auditioning the sound quality of your new installation and fine-tuning it, double-check the connections. All too often, users complain that they cannot get a decent sound however they set

the controls, only to discover something has been wrongly connected. Make sure that:

- The phasing is correct – there should be no positive to negative connections to the satellite speakers. If something is out of phase you may get a fuzzy sound with an imprecise and floating image, a lack of bass or a combination of the two.
- There are no left to right mix-ups – this can result, for example, in the orchestra being the wrong way round or, more disastrously, sounds on your Home Theatre going in the opposite direction to the action on the screen.

Switching on and off

We recommend that you switch the subwoofer on before any power amplifiers receiving signals from the subwoofer. Similarly, when switching off, switch the subwoofer off last.

The on/auto/standby switch (9) at the top right of the amplifier panel does not isolate the amplifier completely from the power supply. It maintains a low-power input to an auxiliary sensing circuit. The 230V version of the amplifier has an additional switch (13) that completely isolates the power supply. To isolate other versions, either switch off at the wall outlet or disconnect the power cord from the amplifier. We recommend you isolate the subwoofer from the power supply if it is to be out of use for extended periods of time.

The switch (9) operates as follows:

On:

With the switch in this position, the amplifier remains permanently on, and the light glows green.

Auto:

On first switching the subwoofer to Auto, the amplifier becomes fully active and the light (10) above the on/auto/standby switch glows green. After a period of about 5 minutes without an input signal, the amplifier automatically reverts to standby mode, and the light glows red. When an input signal is detected, the amplifier automatically becomes fully active and the light glows green.

Standby:

In this position, the amplifier is in permanent standby, and the light glows red.

Setting the controls

There are 5 controls to consider:

- The VOLUME control (4)
- The LOW-PASS FREQUENCY control (5)
- The PHASE switch (6)
- The LOW-PASS FILTER switch (7)
- The EQ (equalisation) switch (8)

The optimum settings depend on the other equipment used with the subwoofer. If using

more than one subwoofer, ensure the controls on each one are set the same.

Use with home theatre decoders

The ASW™2500 is not a THX® licensed component, but may be used with a THX® controller if desired.

- Set the decoder VOLUME control to the half way (12 o'clock) position.
- The setting of the LOW-PASS FREQUENCY control is irrelevant.
- Set the PHASE switch initially to O'.
- Set the LOW-PASS FILTER switch to OUT.
- Set the EQ switch initially to position A.

See also the section "Fine tuning".

If you have a THX® controller, ensure that the subwoofer function is enabled. When so configured it incorporates all the filtering and level setting required for the subwoofer in all modes. For level calibration, the internal test noise and channel level controls in the THX® controller should be used. In all cases the levels should be set to obtain 75dB SPL (C-weighted) at the listening position from the controller's internal noise test signal.

With other decoders, configure the front and surround speakers to "large" or "small" as appropriate before setting the levels. Use the internal noise test signal and volume controls of the decoder to set the levels of all the speakers. Only change the VOLUME control on the subwoofer if there is not enough range in the decoder to achieve the correct levels.

Inexpensive sound level meters are readily available from electronics stores and should be used to calibrate the levels. Refer to your decoder manual for further details on how to set the levels.

Use for 2-channel audio

- Set the VOLUME control initially to the half way (12 o'clock) position.
- Set the LOW-PASS FREQUENCY initially to 80Hz.
- Set the LOW-PASS FILTER switch to IN.
- Set the EQ switch initially to position B.
- Set the PHASE switch initially to O'.

See also the section "Fine tuning".

Fine-tuning

There are two settings of the EQ switch. Position A is optimised to allow the subwoofer to provide the highest listening levels, while position B gives greater bass extension coupled with a tighter sound.

2-channel audio

The optimum settings of the PHASE switch and the LOW-PASS FREQUENCY control are inter-related and also dependent on the low-frequency cut-off characteristic of the satellite speakers and

the relative positions of all the speakers in the installation.

Set the system up in the preferred position and play some programme with a steady bass content. The optimum setting for the LOW-PASS FREQUENCY depends on several variables; the bass performance and power handling of the satellite speakers, the number of subwoofers used and their position relative to the satellite speakers. The range 80 – 90Hz is a good starting point for the LOW-PASS frequency. Unless two subwoofers are used to preserve separate right and left channel information and are sited close to the relevant satellite speakers, using a higher cut-off frequency may compromise the stereo image and should only be considered if the bass performance of the satellite speakers is particularly limited.

At each setting of the cut-off frequency, listen with the phase switch in both positions. The correct one is that which gives the fullest bass and that will depend on the bass characteristics of your satellite speakers and the relative distances of the subwoofer(s) and the satellite speakers to the listeners. When using more than one subwoofer, ensure that each one has its cut-off frequency and phase switch set the same way.

Set the loudness of the subwoofer relative to the satellite systems to your liking. Use a wide variety of programme material to get an average setting. One that sounds impressive on one piece may sound overpowering on another. Listen at realistic levels as the perception of balance varies with sound level.

Home theatre

The situation with home theatre is somewhat different from 2-channel audio. The subwoofer (LFE) signal is a separate channel rather than an extension of the signal to the satellite speakers. The LOW-PASS filter is switched out, because the decoder provides all the filtering for any speakers set to "small". However, the position of the phase switch must still be assessed. Normally the phase will be set to 0°, but if the subwoofer is positioned at a distance significantly different from the other speakers, or the power amplifier driving the other speakers happens to invert the signal, the 180° position may be preferable. Listen with the switch in both positions and choose the one that gives the fullest sound. If there is little difference, leave the switch at 0°.

Decoders normally have a calibrated noise signal that can be used to set the relative levels of all the speakers, making the task somewhat more straightforward than for 2-channel audio. However, do not be afraid to alter the settings to your personal preference. It is all too easy to get carried away with the capabilities of the subwoofer, especially with some special low-frequency effects. Often a more realistic portrayal, and one more satisfying in the long term, is to be had by setting the subwoofer level lower than the standard calibration level.

All applications

If you get problems with lumpy bass – if certain bass notes are exaggerated more than others – then you probably have a room interface problem and it is worth experimenting with the placement of the subwoofer. What may seem like small changes in position – 15cm (6in) or so – can have a profound effect on the sound. Try raising the subwoofer clear of the floor as well as lateral movement. The use of multiple subwoofers can smooth the effects of room resonances, as each subwoofer will tend to excite resonances at different frequencies. If you alter the relative distances from the subwoofer(s) and satellite speakers to the listeners appreciably, reassess the phase switch setting. You should also check the level setting of the subwoofer (using either the decoder output levels or the volume control on the subwoofer amplifier as appropriate), but only after setting the phase correctly.

Taking care of the subwoofer

The cabinet of the subwoofer may be cleaned by dusting with a dry cloth. If you wish to use an aerosol cleaning spray, do not spray directly on the cabinet; spray onto the cloth. Remove the grille first so that the cloth does not become stained, but be careful not to disturb the drive unit. The grille itself may be cleaned using a soft brush.

Do not use the subwoofer as a table. When in use, objects left on top of the subwoofer are liable to rattle. In particular, avoid the risk of liquids being spilled (eg from drinks or vases of flowers).

If the system is taken out of use for a long period, disconnect the subwoofer from the power supply.

FRANÇAIS

AVERTISSEMENTS:

ATTENTION: les versions 120V de ce produit sont livrées avec un cordon d'alimentation avec connecteur polarisé. Pour éviter les chocs électriques, introduisez la lame la plus large de la fiche dans la borne correspondante de la prise et poussez jusqu'au fond.

Pour éviter tout risque d'incendie ou d'électrocution, n'exposez jamais cet appareil à la pluie ou même à l'humidité.

Observez tout signe anormal pouvant provenir du subwoofer lui-même.

N'ouvrez jamais l'enceinte et ne sortez pas l'amplificateur de son logement ; vous n'y trouverez aucun réglage utile. En cas de problème renseignez-vous, préalablement à toute intervention, auprès d'un véritable revendeur spécialiste de la marque B&W.

Assurez-vous, en premier lieu, que la tension indiquée sur l'appareil correspond bien à celle de votre réseau électrique.

Les fusibles d'alimentation se trouvent sur le panneau du module d'amplification. En cas de remplacement, n'utilisez jamais de fusibles d'un type différent ; vérifiez que les valeurs indiquées sur les nouveaux fusibles sont parfaitement identiques à celles qui figurent sur les modèles d'origine.

Cet appareil ne doit pas être raccordé à la terre.

Assurez-vous que l'appareil est correctement aéré. N'empêchez pas l'air de circuler autour de la plaque d'amplification située à l'arrière. N'obstruez pas les ouvertures du panneau. N'encastrez pas cette enceinte dans un rack, une étagère, une niche ou un meuble si le volume disponible à l'arrière ne peut être ventilé par l'air ambiant.

Contrôlez que les câbles ne risquent pas d'être transpercés par les pointes de découplage.

Ne déplacez pas l'appareil en le faisant glisser sur ses pointes. Vous risquez de les arracher ou de créer des dégâts.

Prenez simplement garde de ne pas vous piquer.

Introduction

Nous vous remercions d'avoir choisi l'enceinte active de subgrave B&W ASW™2500.

Depuis la création de notre entreprise en 1966, la base invariable de notre philosophie a toujours été la recherche de la perfection absolue. Inspirée par son fondateur, le regretté John Bowers, cette extraordinaire aventure qu'est la quête de l'absolu, n'a pas seulement débouché sur de très lourds investissements consacrés à la recherche et à l'innovation, mais aussi sur une profonde connaissance de la musique et des spécificités du son cinématographique. Cette

connaissance nous permet de nous assurer que la technologie sera toujours utilisée au service du meilleur résultat possible et non à la technique pour la technique.

L'ASW™2500 a été spécialement conçu pour les installations de cinéma domestique, mais aussi pour renforcer efficacement la reproduction des basses d'un système stéréophonique à deux canaux. L'emploi d'un tel subgrave n'apporte pas seulement une réponse plus étendue vers les très basses fréquences ; il améliore la reproduction du médium grâce à la moindre sollicitation des enceintes principales.

Veillez lire attentivement et totalement cette notice avant d'utiliser votre subwoofer. Toute installation sonore requiert un minimum d'attention et d'expérimentation quand on souhaite en tirer le meilleur parti ; ce manuel vous guidera dans cette voie.

Avant de raccorder le subwoofer au réseau électrique, il est important que vous ayez pris connaissance des consignes de sécurité pour que vous puissiez tenir compte de tout signe anormal ou alarmant.

Rangez ce guide de telle façon que vous puissiez le retrouver facilement pour de futures consultations.

La distribution de B&W est assurée dans plus de 60 pays à travers le monde. Nous entretenons un réseau d'importateurs sélectionnés avec la plus grande attention. Quelque soit le problème qu'un revendeur ne saurait régler, n'hésitez jamais à contacter votre agent national afin qu'il puisse vous assister.

Déballage

(figure 1)

Pour déballer aisément votre subwoofer tout en évitant le risque d'un choc malencontreux, veuillez procéder de la manière suivante :

- Ouvrez les abattants du carton au maximum puis retournez le colis.
- Il suffit ensuite de soulever le carton pour que l'appareil sorte de l'emballage.

Nous vous conseillons de conserver le carton et ses accessoires pour toute utilisation ultérieure.

En plus de ce manuel vous trouverez également :

- 1 Subwoofer
- 1 sachet d'accessoires contenant :
 - 4 pieds en caoutchouc
 - 4 pointes de découplage
 - 4 écrous
- 1 carnet de garantie internationale

Faisons le tour du Subwoofer

(figure 2)

- 1 Prises de SORTIES pour chaînage
- 2 Prises de SORTIES de la modulation
- 3 Prises d'ENTREES de la modulation
- 4 Réglage de VOLUME
- 5 Réglage du FILTRE PASSE-BAS
- 6 Inverseur de PHASE
- 7 Mise en/hors service du FILTRE PASSE-BAS
- 8 Commutateur d'égalisation (EQ)
- 9 Commutateur En service/Auto/Veille
- 10 Indicateur de mise en service et veille
- 11 Trous de ventilation
- 12 Prise d'alimentation secteur
- 13 Coupe-circuit (230V uniquement)
- 14 Porte fusible

Trouver le bon emplacement

Parce qu'il ne diffuse que de très basses fréquences et parce que les informations relatives à la localisation des sons y sont nettement moins importantes, le positionnement d'un subwoofer est beaucoup moins critique que celui d'enceintes à large bande. Vous disposez donc d'un choix plus large pour trouver l'emplacement idéal. Les meilleurs résultats sont, généralement, obtenus lorsque le subwoofer est placé au milieu des enceintes satellites ou encore au voisinage immédiat de l'une d'entre elles. Lorsque vous utilisez deux subwoofers, le mieux est que vous en placiez un à proximité de chaque satellite.

Placer le subwoofer derrière l'auditeur, même dans une installation "surround", procure une image généralement moins précise mais représente un compromis acceptable quand les considérations domestiques l'emportent.

Les réflexions du son sur les parois de la pièce modifient la qualité de reproduction de toute enceinte acoustique, car les murs et le sol qui se trouvent à proximité immédiate amplifient les basses. Cependant et contrairement à ce qui se passe avec les modèles à large bande, vous pourrez toujours rééquilibrer la balance sonore d'un ensemble utilisant un subwoofer actif ; pour cela, il suffit d'ajuster le niveau sonore du caisson de grave et tout rentrera dans l'ordre. Il peut être tentant de rechercher l'amplification acoustique maximale en approchant le subwoofer des angles de la pièce. Ceux-ci comportent trois parois (le sol et deux murs) qui amplifient très avantageusement et très efficacement le grave. Ce procédé permet de réduire la puissance du subwoofer et le travail du haut-parleur lui-même. C'est, cependant, une voie qu'il faudra emprunter avec beaucoup de prudence, car la position en encoignure n'est pas nécessairement la meilleure pour ce qui concerne les résonances de salle. Mal contrôlées, celles-ci peuvent altérer gravement la

régularité de la réponse en fréquence. Il n'existe pas de meilleur procédé que l'expérimentation, chaque salle étant très différente d'une autre. Vous devrez essayer une grande variété d'emplacements avant de faire votre choix définitif. Utiliser un extrait musical avec une partie de basse montant et descendant la gamme est très utile pour juger l'équilibre des graves. Ecoutez attentivement les notes très contrastées, trop faibles ou exagérément fortes. Le fait de posséder un reproducteur de grave séparé, comme l'ASW™2500, autorise une optimisation très efficace de votre installation. Vous pourrez tenir compte des résonances de la pièce tout en soignant l'image stéréophonique, parce que vous pouvez adopter un emplacement spécifique différent pour le subwoofer et pour les satellites.

Si le subwoofer est placé dans un espace très restreint (intégré dans un meuble par exemple), cet espace devra être ventilé afin qu'il y ait suffisamment d'air pour refroidir l'appareil ; questionnez votre revendeur à ce sujet.

Un jeu de quatre pointes de découplage est fourni avec le subwoofer. Ces pointes traversent le tapis ou la moquette, dans le but de procurer une assise très ferme en recherchant un contact direct avec le sol.

Si l'appareil doit être placé sur une surface fragile (un parquet par exemple), placez un petit disque de protection sous chaque pointe ou choisissez d'utiliser les pieds en caoutchouc à la place de ces pointes.

Que vous ayez choisi l'une ou l'autre solution, vissez préalablement les écrous à fond sur les tiges filetées puis vissez à leur tour et complètement, les pieds ou pointes dans les inserts prévus à cet effet sous l'enceinte. En cas de manque de stabilité, desserrez les pieds ou pointes opposés jusqu'à l'obtention d'une parfaite stabilité. Pour terminer, bloquez les écrous contre les inserts.

Raccordement

Veillez déconnecter les appareils du réseau électrique tant que le raccordement n'est pas totalement terminé et contrôlé. Vous éviterez, de cette façon, tout risque de détérioration du matériel en cours d'opération.

La fonction principale d'un subgrave actif est de recevoir le signal provenant d'une chaîne d'amplification. En stéréophonie à deux canaux, il sépare la modulation en deux gammes : les basses fréquences et les hautes fréquences, ces dernières étant dirigées ensuite vers les enceintes satellites. Les basses des canaux gauche et droit sont réunies en une seule voie mono, chargée d'alimenter l'unique haut-parleur de basses.

Notre subwoofer offre une grande flexibilité d'utilisation, car il autorise deux modes de raccordements distincts : soit à partir d'un préamplificateur, en le connectant aux embases RCA ; soit à partir d'un amplificateur, en le raccordant aux connecteurs de 4 mm que vous trouverez sur le panneau arrière.

Reportez-vous au tableau suivant afin de choisir la formule de raccordement convenable.

Application: Home Cinéma

Le subgrave peut être utilisé avec n'importe quel décodeur possédant une sortie ligne "subwoofer" (généralement par une prise RCA). La majorité des décodeurs avec amplificateurs intégrés du marché possèdent cette prise.

- Décodeur avec un ou plusieurs subgraves – fig. 3

Application: 2 canaux audio

Préamplificateur et amplificateur indépendants :

- a Equipement : d'un ou plusieurs subwoofers en monophonie : fig. 4
- b Equipement : deux subwoofers avec signaux gauche et droit séparés : fig. 5

L'ASW™2500 n'est pas prévu pour être utilisé avec un amplificateur stéréophonique intégré ; à moins qu'il ne possède une sortie directe du préamplificateur.

Utilisation de plusieurs Subwoofers

L'utilisation de plusieurs subwoofers dans une seule installation est bénéfique dans les cas suivants :

- Quand vous souhaitez maintenir une séparation stéréophonique jusqu'aux très basses fréquences.
- Lorsque vous avez une très grande salle à sonoriser.
- Lorsque vous cherchez à obtenir une puissance sonore plus importante, particulièrement lorsque vous souhaitez reproduire les effets du Home Cinéma avec une très grande efficacité.
- Lorsque vous devez atténuer les effets gênants des résonances de votre salle d'écoute.

Si vous utilisez deux subgraves sur une installation à deux canaux, la séparation stéréophonique est améliorée si chaque canal possède son propre subgrave, placé à proximité du satellite correspondant. N'employez la configuration mono de la figure 4 qu'au cas où vous ne pourriez pas rapprocher les subgraves des satellites.

Double contrôle des connexions

ASSUREZ-VOUS QUE LA TENSION INDIQUEE SUR LE PANNEAU DE L'AMPLIFICATEUR CORRESPONDE BIEN A LA TENSION DE SERVICE.

Avant de profiter de la qualité sonore de votre nouvelle installation et d'en optimiser finement les réglages, nous vous recommandons d'effectuer un double contrôle des connexions. Trop souvent, l'utilisateur découvre une erreur de raccordement lorsqu'il obtient un résultat sonore de médiocre qualité. Pour éviter toute perte de temps, assurez-vous donc que :

- Pour que la phase soit correcte, il ne faut aucune inversion de branchement positif vers négatif vers les enceintes satellites. Une inversion de phase se traduit pas une reproduction floue accompagnée d'une image instable et imprécise, par un manque de grave ou pire : une combinaison des deux.
- Qu'il n'y a pas d'inversion entre les différents canaux et que chaque voie d'amplification est bien raccordée au haut-parleur correspondant. Le résultat obtenu pourrait être très singulier, par exemple : un orchestre disposé à l'envers ou, plus désastreux, le son de votre film se déplaçant dans la direction opposée à l'action visible à l'écran.

Mise en service

Nous vous recommandons de mettre votre subwoofer en service le premier ; de cette façon, les amplificateurs principaux ne risqueront pas de transmettre un éventuel transitoire de commutation. A l'inverse, pensez à éteindre le subwoofer en dernier.

Le commutateur de mise en service/auto/veille (9) situé en haut et à droite du panneau d'amplification n'isole jamais complètement l'amplificateur de l'alimentation qui fournit toujours une faible tension à un circuit sensible auxiliaire. La version 230V dispose d'un second commutateur (13) destiné à la coupure totale de l'alimentation. Pour isoler en totalité les autres versions : utilisez le commutateur de prise murale ou débranchez le cordon d'alimentation.

Le commutateur (9) fonctionne de la manière suivante :

On :
Lorsque le commutateur est sur cette position, l'amplificateur est en permanence en mode actif et le témoin lumineux s'éclaire en vert.

Auto :
Lorsque vous commutez pour la première fois le subgrave en position "Auto", l'amplificateur passe en mode totalement actif et le témoin lumineux situé au-dessus du commutateur s'éclaire en vert. Après une période d'inactivité de 5 minutes environ, l'amplificateur passe automatiquement en mode veille et le témoin lumineux s'éclaire en rouge. Dès qu'un signal est détecté, l'amplificateur se commut à nouveau en mode actif et le témoin lumineux s'éclaire en vert.

Veille :
Dans cette position, l'amplificateur est en veille permanente, le témoin lumineux est vert.

Réglages

5 contrôles doivent être pris en considération :

- Le réglage de VOLUME (4)
- Le réglage de la FREQUENCE DE COUPURE (5)
- Le commutateur de PHASE (6)
- Le commutateur de FILTRE PASSE-BAS (7)
- Le commutateur d'égalisation "EQ" (8)

L'optimisation des réglages dépend beaucoup des caractéristiques des appareils associés à votre subwoofer. En cas d'utilisation de plusieurs caissons de grave, assurez-vous que tous leurs réglages sont identiques.

Utilisation du subwoofer avec un contrôleur THX® (même non réglé en mode THX®)

Bien que l'ASW™2500 ne soit pas certifié THX®, il peut être employé avec un contrôleur THX® :

- Réglez le VOLUME à mi-course (12 heures).
- Le réglage de la FREQUENCE DE COUPURE est sans effet.
- Commutez le réglage de la PHASE sur 0°.
- Placez le commutateur "LOW PASS FREQUENCY" en position "OUT".
- Placez le commutateur "EQ" en position A.

Reportez-vous également à la rubrique "réglages fins".

Si vous possédez un contrôleur THX®, assurez-vous que sa fonction "subwoofer" est activée. Ainsi configuré, ce dernier dispose des filtres et réglages de niveau adaptés au subgrave pour tous les modes. Pour le calibrage, seuls le générateur de bruit intégré au contrôleur THX® ainsi que ses réglages de niveau devront être employés. Vous devez relever une pression acoustique de 75 dB (pondéré C) à la position d'écoute pour chacune des enceintes.

Avec les autres décodeurs, choisissez la configuration "small" ou "large" la plus appropriée avant de débiter les réglages. Utilisez le générateur et les réglages intégrés au décodeur pour calibrer les différentes enceintes du système. N'employez le contrôle de volume du subgrave qu'au cas où la plage de réglage du décodeur est trop limitée pour vous permettre d'obtenir le niveau sonore souhaité.

Si vous souhaitez obtenir un réglage de grande précision, nous vous recommandons d'acquérir l'un de ces sonomètres très abordables que l'on trouve dans les magasins de pièces détachées électroniques; il s'agit d'un instrument totalement indispensable et vraiment peu coûteux.

Utilisation en deux canaux audio

- Réglez le VOLUME à mi-course (12 heures).
- Réglez le FILTRE PASSE-BAS (low pass frequency) sur 80 Hz.

- Placez le commutateur "LOW PASS FREQUENCY" en position "IN".
- Placez le commutateur "EQ" en position B.
- Commutez la PHASE sur 0°.

Reportez-vous également à la rubrique "Réglages fins".

Réglages fins

Le commutateur d'égalisation propose deux réglages. La position A est destinée à l'écoute à très haut niveau sonore. La position B offre une plus grande étendue et un excellent contrôle des fréquences basses.

2 canaux audio

Le réglage optimal de la phase ainsi que le réglage du FILTRE PASSE-BAS sont interdépendants. Ils dépendent également de la coupure basse des satellites ainsi que de la disposition relative des différentes enceintes dans la pièce.

Réglez le système de façon préférentielle et écoutez un programme riche en basses. Le meilleur réglage dépend de nombreux facteurs tels que : les performances et la tenue en puissance des satellites, le nombre de subgraves, leur position relative aux satellites. La gamme de 80 – 90Hz est un bon point de départ en tant que fréquence de coupure. A moins d'utiliser deux subgraves placés très près des satellites pour préserver la séparation gauche/droite, le choix d'une fréquence plus élevée risque de compromettre l'image stéréophonique et ne doit être envisagée que si les satellites ont des performances vraiment très limitées dans les basses.

Pour bien régler votre système, commencez par ajuster la puissance du subwoofer à votre goût puis affinez ce réglage en utilisant la plus large variété d'enregistrements. Cette méthode est préférable si vous voulez parvenir aux meilleurs résultats, car tout réglage convenant à un seul enregistrement peut se révéler très mauvais avec un autre.

Procédez en plusieurs fois, en vous ménageant certaines périodes de repos et surtout effectuez toutes vos écoutes au niveau sonore le plus réaliste possible. La perception de l'équilibre tonal varie considérablement avec le niveau de reproduction et la fatigue auditive, vous limiterez ainsi les risques d'erreurs.

Vous devez chercher à obtenir une restitution équilibrée, sans exagération ni insuffisance des basses. Vous pouvez être amené à retoucher, légèrement, la fréquence de coupure si le réglage de volume seul ne suffit pas à parvenir à l'équilibre parfait. Pour chaque nouveau réglage du filtre passe-bas, écoutez le résultat obtenu en testant chacune des deux positions du commutateur de phase. Le bon réglage de phase est celui qui procure les basses les plus puissantes il dépend évidemment des performances des satellites dans le grave et de leur position relative par rapport au(x) subwoofer(s) et à l'auditeur.

Cinéma domestique

La situation en "home cinema" est assez différente de celle des deux canaux audio. Le signal très basses-fréquences (LFE) est davantage un canal séparé qu'une extension des satellites. Le filtre PASSE-BAS doit être désactivé, parce que le décodeur assure tout le filtrage nécessaire aux enceintes lorsqu'il est configuré en mode "small". Malgré tout, il peut être nécessaire de jouer sur la polarité acoustique avec le commutateur de phase. Normalement, la phase doit être réglée en position 0° mais, si le subgrave se trouve à une distance assez différente des autres enceintes ou si l'amplificateur chargé d'alimenter ces autres enceintes inverse le signal, la position 180° pourra être préférée. Ecoutez en utilisant les deux positions et choisissez celle qui fournit le son le plus complet.

Les decodeurs disposent généralement d'un générateur de bruit calibré pouvant être utilisé pour ajuster le niveau relatif de toutes les enceintes, rendant l'opération de réglage plus aisée qu'en deux canaux. Ne soyez pas inquiets et n'hésitez pas à réajuster les niveaux en fonction de vos préférences. Il est très facile de se laisser emporter par les possibilités d'un subgrave. En général, la reproduction la plus réaliste et la plus satisfaisante à long terme est obtenue en ajustant le subgrave en dessous du niveau standard de calibration.

Toutes applications

Si vous ne parvenez pas à un équilibre satisfaisant, si le grave semble gonflé ou si certaines notes sont reproduites avec exagération tandis que d'autres sont à peine audibles, c'est que vous vous trouvez, probablement, en présence de problèmes d'interface avec la salle d'écoute. Vous aurez avantage, dans ce cas, à reconsidérer l'emplacement du subwoofer. Un simple déplacement de 15 cm peut avoir un effet spectaculaire sur la qualité sonore ; essayez également de le surélever.

L'utilisation de plusieurs subwoofers est bénéfique car elle atténue les effets de résonance de la salle. Positionnés à des places différentes, ces subwoofers excitent aussi des fréquences différentes. Les résonances sont donc moins exagérées, voire même masquées. Le son est enrichi, beaucoup plus naturel et surtout moins coloré.

Attention ! une modification appréciable de la distance relative entre le ou les subwoofers, les satellites et l'auditeur nécessite, à chaque fois, un nouveau contrôle de la phase.

Si vous êtes amené à modifier les raccordements entre le subwoofer et les autres appareils, en utilisant le réseau de connecteurs pour liaison à un préamplificateur à la place des connecteurs pour liaison à un amplificateur, ou inversement, il est indispensable de contrôler à nouveau le réglage de phase. Le subwoofer comporte, en effet, un filtre passe-haut non réglable qui est destiné au raccordement idéal des satellites. La pente d'atténuation de ce filtre passe-haut

varie selon que l'on utilise le réseau pour amplificateur ou pour préamplificateur.

C'est cette différence qui se traduit par une modification tout à fait normale de la phase. Il faut également procéder à la vérification systématique du niveau du subwoofer qui peut varier selon que vous l'avez approché ou éloigné de la zone d'écoute (l'emploi du réglage interne du décodeur ou du réglage de volume du subwoofer conviennent tous les deux car ils produisent exactement le même effet). Ce dernier contrôle ne doit s'opérer qu'après vérification de la phase.

Entretenez votre Subwoofer

L'ébénisterie du subwoofer sera entretenue à l'aide d'un chiffon doux et sec. Vous pouvez utiliser un produit d'entretien en aérosol à condition de le vaporiser sur le chiffon, jamais directement sur l'appareil. Retirez la grille pour éviter de la tâcher, tout en prenant garde de ne pas endommager le transducteur. Cette grille se nettoie simplement avec une brosse douce.

N'utilisez jamais le subwoofer en tant que table basse. Pendant le fonctionnement de l'appareil tous les objets posés sur le dessus sont en mesure de vibrer et de créer des bruits parasites gênants. Evitez, tout particulièrement, de renverser du liquide (boissons ou eau d'un vase).

Si vous ne devez pas employer votre subwoofer pendant une assez longue période, pensez à le déconnecter du réseau électrique.

DEUTSCH

WARNHINWEISE:

VORSICHT: Um einem elektrischen Schlag vorzubeugen, ist bei 120-V-Modellen darauf zu achten, daß die Pole des Netzsteckers exakt in die Buchsen der jeweiligen Steckdose passen.

Um die Gefahr eines Brandes oder eines elektrischen Schlages auszuschließen, darf das Gerät weder Nässe noch Feuchtigkeit ausgesetzt werden.

Beachten Sie alle Warnhinweise auf dem Gerät.

Um einem elektrischen Schlag vorzubeugen, sollten Sie niemals das Gehäuse öffnen oder den Verstärker an der Rückseite ausbauen. Im Innern befinden sich keine vom Bediener zu wartenden Teile. Der Service ist ausschließlich von einem autorisierten B&W-Fachhändler durchzuführen.

Stellen Sie sicher, daß die auf dem Verstärker angegebene Spannung der Netzspannung entspricht. Sollte dies nicht der Fall sein, wenden Sie sich an Ihren autorisierten B&W-Fachhändler.

Der Sicherungshalter befindet sich an der Rückseite des Verstärkermoduls. Beim Austausch von Sicherungen dürfen nur solche desselben Typs mit denselben Nennwerten verwendet werden.

Das Gerät ist schutzisoliert und muß daher nicht geerdet werden.

Bitte stellen Sie sicher, daß um das Gerät genügend Freiraum ist, um eine ausreichende Luftzirkulation zu gewährleisten. Stellen Sie das Gerät weder auf ein Bett, Sofa, Teppich oder ähnliche Oberflächen, um die Ventilationsöffnungen nicht zu verdecken. Das Gerät sollte nur dann in einem Regal oder Schrank untergebracht werden, wenn eine ausreichende Luftzirkulation gewährleistet ist.

Vergewissern Sie sich, daß unter dem Teppich(boden) keine Kabel liegen, die durch die Spikes beschädigt werden könnten.

Bewegen Sie das Gerät nicht auf den Spikes, da diese sich hierbei vom Gehäuse lösen können. Dies kann zu Beschädigungen führen.

Achten Sie darauf, daß Sie sich beim Heben des Gerätes nicht an den Spikes verletzen.

Einleitung

Vielen Dank, daß Sie sich für den aktiven Subwoofer ASW™2500 entschieden haben.

Seit der Gründung 1966 war B&Ws oberstes Anliegen die perfekte Klangwiedergabe. Inspiriert durch den Firmengründer John Bowers wird diesem Streben nicht nur durch hohe Investitionen in die Audio-Technologie und stetige Innovationen Rechnung getragen, sondern auch durch die Liebe zur Musik, um sicherzustellen, daß die Technologie auch in neuen Anwendungsbereichen wie HiFi-Cinema optimal eingesetzt wird.

Der ASW™2500 ist für HiFi-Cinema-Anwendungen und 2-Kanal-Audio-Anwendungen entwickelt worden. In 2-Kanal-Audio-Anwendungen besteht seine Aufgabe darin, die Möglichkeiten von „Full Range“-Lautsprechern, d.h. Lautsprechern, die das komplette Klangspektrum abdecken, im Tieftonbereich zu optimieren. Die Verwendung dieses Subwoofers ermöglicht nicht nur die Wiedergabe von tieferen Frequenzen, sondern verbessert durch Entlastung der anderen Lautsprecher im Tieftonbereich auch die Transparenz im Mitteltönenbereich.

Bitte lesen Sie sich diese Bedienungsanleitung vor Inbetriebnahme des Subwoofers aufmerksam durch. Das Aufstellen von Beschallungsanlagen verlangt einige Planung und Experimentierfreudigkeit, wenn Sie das bestmögliche Ergebnis erzielen möchten. Diese Bedienungsanleitung wird Ihnen dabei helfen.

Bevor Sie den Subwoofer an das Netz anschließen, sollten Sie sich mit den Sicherheitshinweisen vertraut machen. Beachten Sie alle Warnhinweise.

Bewahren Sie diese Bedienungsanleitung sorgfältig auf.

B&W liefert in über 60 Länder und verfügt weltweit über ein Netz erfahrener Distributoren, die Ihnen zusammen mit den autorisierten B&W-Fachhändlern weiterhelfen, um Ihnen den Musikgenuß zu Hause zu ermöglichen.

Auspacken

(Abbildung 1)

Gehen Sie beim Auspacken des Subwoofers folgendermaßen vor:

- Klappen Sie die Kartonlaschen nach hinten und drehen Sie Karton samt Inhalt um.
- Ziehen Sie den Karton vom Inhalt ab.

Wir empfehlen, die Verpackung für einen eventuellen späteren Transport aufzubewahren.

Neben dieser Bedienungsanleitung sollte der Karton enthalten:

- 1 Subwoofer
- 1 Zubehörpaket bestehend aus:
 - 4 Gummifüßen
 - 4 Spikes
 - 4 Kontermuttern

1 International Warranty Booklet (Hinweise zur Garantie, mehrsprachig)

Ausstattungsmerkmale des Subwoofers

(Abbildung 2)

- 1 LINK OUT-Buchsen
- 2 LINE OUT-Buchsen
- 3 LINE IN-Buchsen
- 4 Lautstärkereglern

- 5 LOW-PASS-FREQUENCY-Regler
- 6 PHASE-Schalter
- 7 Schalter für LOW PASS FILTER ein/aus
- 8 EQualisation-Schalter
- 9 Netzschalter (Positionen On/Auto/Standby)
- 10 Power/Standby-Anzeige
- 11 Ventilationsöffnungen
- 12 Netzeingang
- 13 Netzschalter (nur bei 230-V-Version)
- 14 Sicherungshalter

Positionieren des Subwoofers

Da der Subwoofer ausschließlich Bässe produziert, ist seine Positionierung in gewisser Hinsicht nicht so schwierig wie die von „Full-Range“-Lautsprechern. Die gerichtete Information ist weit weniger genau, so daß Sie von verschiedenen Positionen aus ein gutes Ergebnis erzielen können. Die besten Resultate erhalten Sie jedoch, wenn der Subwoofer zwischen die Satellitenlautsprecher oder in die Nähe eines Satellitenlautsprechers gestellt wird. Bei Verwendung von zwei Subwoofern sollte jeweils einer neben einem Satellitenlautsprecher stehen.

Eine Platzierung des Subwoofers hinter den Zuhörern führt im allgemeinen zu einer Verschlechterung des Klangbildes. Dies gilt auch für Surroundanwendungen. Jedoch kann hierin ein akzeptabler Kompromiß bestehen, falls die örtlichen Gegebenheiten es nicht anders zulassen.

Wie bei allen Lautsprechern, wird die Klangqualität des Subwoofers durch die Nähe von Wänden beeinflusst. Der Baß wird stets intensiver, je größer die Oberflächen in nächster Nähe der Lautsprecher sind. Im Gegensatz zu „Full-Range“-Lautsprechern kann die Klangbalance des Gesamtsystems einfach durch Einstellen des Subwoofer-Lautstärkereglers optimiert werden. Je größer die Verstärkung durch den Raum ist, desto weniger muß der Subwoofer leisten. Jedoch hat dies nicht nur Vorteile. So werden tiefe Raumresonanzen durch die Platzierung in den Ecken eines Raumes verstärkt, wodurch die Tieftonwiedergabe nicht im Einklang mit der Frequenz steht. Letztendlich gibt es kein Patentrezept, da sich der Klang mit dem Raum verändert. Daher sollten Sie mehrere Positionen ausprobieren, bevor Sie Ihre Entscheidung treffen. Ein Musikstück mit längeren, variierenden Baßpassagen erleichtert die Einstellung, um schließlich eine erstklassige Tieftonwiedergabe sicherzustellen. Achten Sie auf betonte oder ruhigere Passagen. Durch die Verwendung eines weiteren Subwoofers kann der Klang der Anlage im Hinblick auf Raumresonanzen optimiert werden, und zwar unabhängig von der Platzierung der Satellitenlautsprecher zur Verbesserung des Klangbildes.

Wird der Subwoofer auf begrenztem Raum betrieben (z.B. in speziellem Mobiliar), muß für eine ausreichende Belüftung des Gerätes gesorgt werden. Lassen Sie sich von Ihrem autorisierten Fachhändler beraten.

Zum Lieferumfang des Subwoofers gehören vier Spikes. Die Spikes bohren sich durch Teppich(boden) und liegen direkt auf dem Boden auf. Ohne Beschädigungen hervorgerufen, verleihen Sie dem Subwoofer eine hervorragende Standfestigkeit.

Steht das Gerät auf einer empfindlichen Oberfläche, wie z.B. auf einem Holzfußboden, legen Sie entweder eine Schutzscheibe unter die Spikes oder bringen anstelle der Spikes die vier GummifüÙe an. Beim Anbringen der GummifüÙe bzw. Spikes schrauben Sie zunächst die Kontermuttern vollständig auf das Gewinde und anschließend die FüÙe bzw. Spikes in die Gewindebohrungen im Gehäuseboden. Steht das Gerät instabil, lösen Sie die beiden betreffenden, gegenüberliegenden FüÙe bzw. Spikes, bis die optimale Standfestigkeit erreicht ist. Ziehen Sie die Kontermuttern anschließend gegen die Bohrung fest.

Elektrische Anschlüsse

Die zum System gehörenden Geräte sollten zunächst untereinander verbunden werden (achten Sie dabei auf die korrekte Polarität der Anschlüsse!), bevor die Anlage ans Stromnetz angeschlossen wird. Dadurch können Beschädigungen vermieden werden.

Innerhalb einer Anlagenkette erhält der Subwoofer seine Informationen von den Verstärkern, trennt diese, wo es für 2-Kanal-Audio-Anwendungen erforderlich ist, in niedrige Tieftonfrequenzen und höhere Frequenzen auf und leitet die letztgenannten zurück zu den Satellitenlautsprechern. Gegebenenfalls können die Eingangssignale der rechten und linken Kanäle zusammengeführt und als ein Mono-Tiefbaßsignal dem Subwoofer-Lautsprecherchassis zugeleitet werden.

Der Subwoofer empfängt und sendet Hochpegelsignale über die Cinch-Buchsen an der Geräterückseite.

Die folgenden Hinweise helfen Ihnen beim korrekten Anschluß Ihrer Anlage:

Anwendung: HiFi-Cinema

Der Subwoofer kann mit jedem Decoder kombiniert werden, der über einen Line-Level-Subwooferausgang verfügt (dies ist in der Regel eine Cinch-Buchse). Die meisten Decoder mit eingebauter Endstufe senden die Subwoofer- oder LFE (Low Frequency Effects)-Signale über Line Level-Anschlüsse.

- Decoder mit einem oder mehreren Subwoofern – Abbildung 3

Anwendung: 2-Kanal-Audio

Separate Vor- und Endstufen:

- a Ein oder mehrere Subwoofer mit zu einem Mono-Signal gekoppeltem Ausgangssignal – Abbildung 4
- b Zwei Subwoofer, je einer pro Kanal – Abbildung 5

Der ASW™2500 kann nur mit Stereo-Vollverstärkern kombiniert werden, wenn diese über einen Line-Level-Ausgang vom Vorverstärker verfügen.

Einsatz von mehr als einem Subwoofer

Durch die Verwendung mehr als eines Subwoofers in einem System kann:

- Eine präzise Stereokanaltrennung bis hin zu tiefsten Frequenzen sichergestellt werden.
- Die Wiedergabequalität in größeren Hörräumen optimiert werden.
- Die Wiedergabe tiefster Frequenzen verbessert werden – dies ist oftmals bei der Wiedergabe von Spezialeffekten in HiFi-Cinema-Anwendungen sinnvoll.
- Der Klang im Hinblick auf Raumresonanzen optimiert werden.

Bei Verwendung von zwei Subwoofern für 2-Kanal-Audio wird die Stereokanaltrennung verbessert, weil jeder Kanal seinen eigenen Subwoofer besitzt. Achten Sie darauf, daß jeder Subwoofer in der Nähe des jeweiligen Satellitenlautsprechers aufgestellt wird. Schließen Sie die Subwoofer wie in Abbildung 4 dargestellt an, wenn Sie die Subwoofer nicht in der Nähe des jeweiligen Satellitenlautsprechers unterbringen können.

Prüfen der Anschlüsse

VERGEWISSERN SIE SICH, DASS DIE AUF DEM VERSTÄRKER ANGEGEBENE SPANNUNG DER NETZSPANNUNG ENTSPRICHT.

Bevor Sie mit der Klangoptimierung Ihres neuen Systems beginnen und die Komponenten aufeinander abstimmen, sollten Sie noch einmal die Anschlüsse prüfen. Ist der Klang des Systems nicht optimal, obwohl die Bedienelemente des Gerätes richtig eingestellt wurden, so kann dies darauf zurückzuführen sein, daß ein Gerät einfach nicht korrekt angeschlossen wurde. Stellen Sie daher sicher, daß:

- Die Polarität korrekt ist. Verbinden Sie die positiven Anschlußklemmen der Satellitenlautsprecher stets mit den positiven Anschlüssen am Verstärker und die negativen Anschlußklemmen an der Satellitenlautsprechern mit den negativen Anschlüssen am Verstärker. Ansonsten ist der Klang unpräzise mit einem ungenauen Klangbild, schwachem Baß bzw. einer Kombination aus beidem.

- Die Signale aus dem rechten und linken Kanal nicht vermischt werden – das kann z.B. dazu führen, daß die Musik eines Orchesters genau seitenverkehrt wahrgenommen wird oder, was noch schlimmer ist, daß der Ton aus Ihrer HiFi-Cinema-Anlage nicht zur Handlung auf dem Bildschirm paÙt.

Ein- und Ausschalten

Wir empfehlen Ihnen, den Subwoofer einzuschalten, bevor die Verstärker Signale vom Subwoofer erhalten. Entsprechend sollte der Subwoofer als letztes Gerät ausgeschaltet werden.

Der On/Auto/Standby-Schalter (9) oben rechts trennt den Verstärker nicht vollständig vom Netz. Er hält ein geringes Eingangssignal für einen zusätzlichen Schaltkreis bereit. In die 230-V-Verstärkerversionen ist ein zusätzlicher Schalter (13) eingebaut, der für eine vollständige Trennung vom Netz sorgt. Um die Stromversorgung der anderen Versionen zu unterbinden, trennen Sie das Netzkabel von der Steckdose und vom Verstärker. Wir empfehlen, den Subwoofer von der Stromversorgung zu trennen, wenn er über einen längeren Zeitraum nicht genutzt wird.

Der Schalter (9) verfügt über die folgenden Einstellungsmöglichkeiten:

On:

Befindet sich der Schalter in dieser Position, ist der Verstärker permanent eingeschaltet. Die Anzeige leuchtet grün.

Auto:

Wird der Schalter in die Auto-Position gesetzt, wird der Verstärker vollständig aktiviert und die Anzeige (10) über dem On/Auto/Standby-Schalter leuchtet grün. Liegt 5 Minuten lang kein Eingangssignal an, schaltet der Verstärker automatisch in den Standby-Modus. Die Anzeige leuchtet rot. Wird ein Eingangssignal empfangen, wird der Verstärker automatisch aktiviert. Die Anzeige leuchtet grün.

Standby:

In dieser Position befindet sich der Verstärker permanent im Standby-Modus. Die Anzeige leuchtet rot.

Einstellen der Regler bzw. Schalter

Am ASW™2500 stehen fünf Regler bzw. Schalter zur Verfügung:

- Lautstärkeregler (4)
- Regler zur Einstellung der LOW-PASS-FILTERFREQUENZ (5)
- PHASE-Schalter (6)
- LOW PASS FILTER-Schalter (7)
- EQualisation-Schalter (8)

Die optimale Einstellung hängt von den jeweils mit dem Subwoofer kombinierten Geräten ab. Stellen Sie bei Verwendung von mehr als einem Subwoofer sicher, daß die Regler und Schalter bei allen Subwoofern gleich eingestellt sind.

Kombination mit HiFi-Cinema-Decodern

Der ASW™2500 ist nicht THX®-lizenziert, kann gegebenenfalls aber auch mit einem THX®-Controller verwendet werden.

- Setzen Sie den Lautstärkeregler für den Decoder in die 12-Uhr-Position.
- Die Einstellung der LOW-PASS-FILTERFREQUENZ spielt keine Rolle.
- Setzen Sie den PHASE-Schalter zunächst auf 0°.
- Setzen Sie den Schalter LOW PASS FILTER in die Position OUT.
- Setzen Sie den EQ-Schalter zunächst in Position A.

Siehe auch Abschnitt „Feinabstimmung“ unten.

Stellen Sie bei Verwendung eines THX®-Controllers sicher, daß die Subwoofer-Funktion aktiviert ist. Bei dieser Einstellung ist gewährleistet, daß alle für den Subwoofer erforderlichen Filter- und Pegelinstellungen in allen Modi verfügbar sind. Zur Pegelinstellung sollten die Testton- und Kanalpegelinstellungsmöglichkeiten des THX®-Controllers genutzt werden. In allen Fällen sollten die Pegel mit Hilfe des Testtons in Hörposition auf 75 dB SPL (C-weighting) eingestellt werden.

Bei anderen Decodern wählen Sie für die Front- und Surroundlautsprecher die Einstellung „large“ oder „small“, bevor Sie die Pegel einstellen. Nutzen Sie den internen Testton und die Lautstärkeregler des Decoders, um die Pegel aller Lautsprecher einzustellen. Ändern Sie die Einstellung des Lautstärkereglers am Subwoofer nur, wenn der Decoder nicht genügend Spielraum zur Einstellung der korrekten Pegel liefert.

Preisgünstige Schallpegelmesser sind in Elektronik-Fachgeschäften erhältlich. Sie sollten zur Pegelinstellung verwendet werden.

Im Modus 2-Kanal-Audio

- Setzen Sie den Lautstärkeregler zunächst in die 12-Uhr-Position.
- Setzen Sie den Regler für die LOW-PASS-FILTERFREQUENZ zunächst auf 80 Hz.
- Setzen Sie den Schalter LOW PASS FILTER in die IN-Position.
- Setzen Sie den EQ-Schalter zunächst in Position B.
- Setzen Sie den PHASE-Schalter zunächst auf 0°.

Siehe auch Abschnitt „Feinabstimmung“ unten.

Feinabstimmung

Der EQ-Schalter bietet zwei Einstellmöglichkeiten. Position A ermöglicht dem Subwoofer die Wiedergabe höchster Pegel, während Position B eine verstärkte Tieftonwiedergabe ermöglicht.

2-Kanal-Audio

Es besteht ein Zusammenhang zwischen der optimalen Einstellung des PHASE- und des LOW-PASS-FREQUENCY-Reglers, die ferner auch von der Tiefton-Trennfrequenz der Satellitenlautsprecher und der relativen Positionen aller Lautsprecher eines Systems abhängt.

Setzen Sie das System in die von Ihnen bevorzugte Position und spielen Sie Stücke mit kontinuierlichen Baßpassagen. Die optimale Einstellung für die LOW-PASS-TRENNFREQUENZ hängt von mehreren Variablen ab: den Möglichkeiten der Satellitenlautsprecher bei der Wiedergabe tiefer Frequenzen, der Nennbelastbarkeit der Satellitenlautsprecher, der Anzahl der verwendeten Subwoofer und ihrer relativen Position zu den Satellitenlautsprechern. Der Bereich zwischen 80 und 90 Hz ist ein guter Ausgangspunkt für den LOW-PASS-Filter. Werden nicht zwei Subwoofer zur Signalübertragung des linken und rechten Kanals verwendet und in der Nähe des jeweiligen Satellitenlautsprechers aufgestellt, kann eine höhere Trennfrequenz zu einem schlechteren Stereoklangbild führen und sollte nur in Betracht gezogen werden, wenn die Tieftonwiedergabe der Satellitenlautsprecher ausgesprochen begrenzt ist.

Bei jeder Einstellung der Trennfrequenz sollte der Phase-Schalter in beide Positionen gesetzt und ein Hörtest gemacht werden. Bei korrekter Einstellung klingt der Baß voller. Das hängt von der Tieftoncharakteristik der Satellitenlautsprecher und der relativen Entfernung von Subwoofer(n) und Satellitenlautsprechern zu den Zuhörern ab. Bei Einsatz von mehr als einem Subwoofer sollten Sie sicherstellen, daß Trennfrequenz und Phase-Schalter jeweils gleich eingestellt sind.

Stellen Sie die Lautstärke des Subwoofers so ein, daß sie im Einklang mit den Satellitensystemen steht. Nutzen Sie dazu eine große Programmbandbreite, um eine optimale Einstellung zu gewährleisten. Was bei einem Stück beeindruckend klingt, kann bei einem anderen als unangenehm empfunden werden. Hören Sie bei normalen Lautstärken, da sich die Wahrnehmung der Balance mit dem Schallpegel verändert.

HiFi-Cinema

HiFi-Cinema-Anwendungen unterscheiden sich in gewisser Weise von 2-Kanal-Audio-Anwendungen. Das Subwoofer (LFE)-Signal ist bei HiFi-Cinema-Anwendungen ein separater Kanal. Der LOW-PASS-Filter ist ausgeschaltet, da der Decoder die Filterfunktion für die auf „small“ eingestellten Lautsprecher übernimmt. Jedoch gilt es, die optimale Position für den Phase-Schalter zu finden. In der Regel wird der Phase-Schalter auf 0° gesetzt. Steht der Subwoofer deutlich von den anderen Lautsprechern entfernt oder kehrt

der die anderen Lautsprecher antreibende Endverstärker das Signal um, so ist möglicherweise die 180°-Position zu bevorzugen. Setzen Sie den Schalter in beide Positionen und entscheiden Sie sich für die Position, bei der der Klang am vollsten ist. Ist kein deutlicher Unterschied wahrnehmbar, lassen Sie den Schalter auf 0°.

Decoder verfügen normalerweise über einen eingebauten Testtongenerator, der zur Einstellung der relativen Pegel aller Lautsprecher genutzt werden kann. Sie sollten sich jedoch nicht scheuen, die Einstellungen Ihrem persönlichen Geschmack entsprechend zu verändern. Man neigt häufig dazu, sich von den Möglichkeiten, die der Subwoofer bietet (besonders bei Spezialeffekten), beeindrucken zu lassen. Oftmals ist aber eine realistischere Wiedergabe langfristig zufriedener. Dazu sollte die Einstellung des Subwooferpegels unter dem Standardpegel liegen.

Alle Anwendungen

Werden bestimmte Baßpassagen mehr betont als andere, ist der Klang der Anlage vermutlich nicht optimal an den Raum angepaßt. Hierbei lohnt es sich, die Position des Subwoofers solange zu verändern, bis er optimal plaziert ist. Selbst kleinste Änderungen in der Position – z.B. 15 cm – können einen erheblichen Einfluß auf den Klang haben. Versuchen Sie, einen Abstand zwischen Boden und Subwoofer zu schaffen oder den Subwoofer hin und her zu bewegen. Der Einsatz von mehreren Subwoofern kann die Wirkung von Raumresonanzen mildern, da jeder Subwoofer in unterschiedlichen Frequenzbereichen Resonanzen erzeugen wird. Wird der relative Abstand von Subwoofer(n) zu den Satellitenlautsprechern verändert, kann es unter Umständen erforderlich sein, die Einstellung des Phase-Schalters zu ändern. Ferner ist die Pegelinstellung des Subwoofers zu prüfen (entweder über die Decoder-Ausgangspegel oder die Lautstärkeregelung am Verstärker des Subwoofers), aber erst, nachdem die Phase korrekt eingestellt wurde.

Pflege

Das Subwoofergehäuse kann einfach mit einem trockenen Staubtuch abgewischt werden. Bei Verwendung eines Aerosol-Reinigers sollten Sie diesen zunächst auf ein Tuch sprühen und nicht direkt auf das Gehäuse. Entfernen Sie die Frontabdeckung, indem Sie sie vorsichtig vom Gehäuse abziehen. Achten Sie darauf, daß dabei das Lautsprecherchassis nicht beschädigt wird. Die Frontabdeckung kann mit einer sauberen Bürste gereinigt werden.

Benutzen Sie den Subwoofer nicht als Ablagefläche. Auf der Oberfläche abgestellte Gegenstände können wackeln und so die Klangqualität beeinträchtigen. Besonders Flüssigkeiten (z.B. Getränke oder Blumenvasen mit Wasser) sollten niemals auf den Subwoofer gestellt werden.

Wird Ihr System für längere Zeit nicht in Betrieb genommen, ziehen Sie den Netzstecker aus der Steckdose.

ESPAÑOL

PRECAUCIONES:

PRECAUCIÓN: Las versiones del aparato diseñadas para funcionar a 120 V son suministradas de serie con un enchufe polarizado. Para prevenir cualquier descarga eléctrica, haga coincidir cada clavija del enchufe con su correspondiente toma y a continuación insértela por completo.

Asegúrese de que cada clavija del enchufe esté firme y completamente insertada en la toma de corriente de la pared o de un cable de extensión a fin de que ninguno de sus terminales quede a la vista.

Para evitar cualquier peligro de incendio o electrocución, no exponga este aparato a la lluvia o la humedad.

Observe todas las precauciones posibles durante la manipulación del aparato.

Para evitar el riesgo de sufrir una descarga eléctrica, no abra el recinto ni extraiga el amplificador situado en su panel posterior. No hay partes manipulables por el usuario en el interior del aparato. Para cualquier pregunta relacionada con el tema, consulte con un distribuidor autorizado de productos B&W.

Asegúrese de que la tensión eléctrica indicada en el panel del amplificador coincida con la de su red eléctrica local. En caso contrario, contacte con un detallista autorizado de B&W. No intente alterar por su cuenta el ajuste del selector de tensión.

El compartimento portafusibles principal está ubicado en el panel posterior del módulo amplificador. El fusible de repuesto debería ser del mismo tipo y valor que el suministrado de serie.

Este aparato no debería ser conectado a tierra.

Asegúrese de que el aparato esté adecuadamente ventilado. Procure no impedir la circulación de aire alrededor del panel posterior del amplificador. No bloquee ni obstruya las aberturas del panel. No instale el aparato en un rack, estante, mueble o armario a menos que el volumen que haya detrás del aparato esté adecuadamente ventilado.

Compruebe que no haya cables en la alfombra/moqueta susceptibles de ser dañados por las puntas metálicas de desacoplo del subwoofer.

No desplace el aparato con las puntas de desacoplo montadas puesto que podría provocar que las mismas saliesen de su lugar y por tanto dañaran el suelo de la sala de escucha.

Asegúrese de que ninguna de las puntas de desacoplo se coloque sobre su propio pie.

Introducción

Gracias por haber adquirido el Subwoofer Activo B&W ASW™2500.

Desde su fundación en 1966, la filosofía de B&W no ha sido otra que la búsqueda de la perfecta reproducción del sonido. Inspirada por el fundador de la compañía, el fallecido John Bowers, esta búsqueda ha supuesto no sólo la realización de grandes inversiones en innovación y tecnología aplicadas al campo del audio sino también una muy precisa apreciación de la música y de las exigencias de la reproducción de bandas sonoras de películas con el fin de asegurar que dicha tecnología es aprovechada al máximo de sus posibilidades.

El ASW™2500 ha sido diseñado para ser utilizado en instalaciones de Cine en Casa y para incrementar la respuesta en graves de cajas acústicas de gama completa ("full range") en aplicaciones de audio estereofónico de 2 canales. La adición del subwoofer a su equipo no sólo extiende la respuesta en graves del mismo sino que mejora la claridad de la zona media, reduciendo las demandas de energía para cubrir la restitución de las octavas inferiores por parte de las cajas acústicas que usted posea.

Le rogamos que lea cuidadosamente el presente manual antes de utilizar el subwoofer. Todas las instalaciones de sonido requieren cierta planificación y experimentación durante su puesta a punto. Si usted está interesado en explotar al máximo las posibilidades de los componentes de su equipo, este manual le servirá de guía en el proceso.

Puesto que el subwoofer es conectado directamente a la red eléctrica, es importante que usted se familiarice con las instrucciones de seguridad y tenga en cuenta todas las advertencias que figuran al principio del presente manual.

Guarde este manual en un lugar seguro para el caso de que necesite utilizarlo en el futuro.

Las cajas acústicas B&W son distribuidas en más de 60 países de todo el mundo, motivo por el que mantenemos una red internacional constituida por distribuidores altamente cualificados que han sido cuidadosamente seleccionados. En caso de que tenga algún problema que su detallista no pueda resolver, nuestros distribuidores estarán encantados de poder ayudarle.

Desembalaje

(figura 1)

La manera más fácil de desembalar el subwoofer y a la vez de evitar que pueda sufrir daños es la siguiente:

- Abra las aletas del embalaje y sitúelas hacia atrás, procediendo posteriormente a colocar en posición invertida la caja y su contenido.
- Levante la caja de modo que el subwoofer quede depositado en el suelo.

Le recomendamos que guarde el embalaje para un posible uso futuro del mismo.

Además del presente manual, la caja debería contener:

- 1 Subwoofer
- 1 Paquete de accesorios en el que figuran:
 - 4 pies de goma
 - 4 puntas metálicas de desacoplo
 - 4 tuercas de bloqueo
- 1 documentación de garantía internacional

Un repaso al subwoofer

(figura 2)

- 1 Terminales LINK OUT (*SALIDA PARA ENLACE*)
- 2 Terminales LINE OUT (*SALIDA DE SEÑAL DE LINEA*)
- 3 Terminales LINE IN (*ENTRADA DE SEÑAL DE LINEA*)
- 4 Control de VOLUMEN
- 5 Ajuste de la FRECUENCIA DE CORTE DEL FILTRO PASO BAJO
- 6 Conmutador de FASE
- 7 Conmutador de supresión del FILTRO PASO BAJO
- 8 Conmutador de activación del circuito de Ecuilización
- 9 Conmutador de PUESTA EN MARCHA /Arranque Automático/Activación de la Posición de Espera
- 10 Indicador luminoso de Puesta en Marcha/Activación de la Posición de Espera
- 11 Ranuras de ventilación
- 12 Selector/indicador de la tensión de alimentación
- 13 Conmutador de aislamiento de la señal eléctrica de alimentación (sólo en las versiones que operan a 230 V)
- 14 Compartimento portafusibles

Colocación del subwoofer

Puesto que el subwoofer produce únicamente sonidos de baja frecuencia, en muchos aspectos su posición resulta menos crítica que la de las cajas acústicas convencionales. La información direccional es mucho menos precisa y por tanto usted dispone de muchas más alternativas a la hora de colocar las cajas acústicas y conseguir un buen efecto. Dicho esto, los mejores resultados se obtienen si el subwoofer es colocado entre las cajas acústicas satélites o en las cercanías de una de ellas. Si usted utiliza dos subwoofers, es mejor situar uno cerca de cada satélite.

La colocación del subwoofer detrás de los oyentes, incluso en instalaciones de sonido envolvente, suele proporcionar una imagen sonora de inferior calidad aunque puede constituir un compromiso aceptable en caso de que lo dicten las consideraciones domésticas.

Tal y como sucede con todo tipo de cajas acústicas, la proximidad de las paredes de la habitación afecta al sonido. Generalmente, los graves sufren un incremento en su nivel cuanto más superficies haya en las cercanías de los altavoces que los producen. Sin embargo, y contrariamente a lo que sucede con las cajas acústicas de gama completa, usted siempre puede restaurar el correcto balance tonal global del sistema ajustando el nivel de volumen del subwoofer. Cuando más realce los graves presentes en su habitación, menos tendrán que trabajar los otros altavoces. Pero también hay un punto oscuro: la ubicación del subwoofer en las esquinas de la habitación suele excitar con más intensidad las resonancias (modos propios) de baja frecuencia de la misma, desequilibrando a los graves con respecto al resto de frecuencias. No hay, en este sentido, una alternativa a la experimentación pura y simple puesto que cada habitación exhibe un comportamiento diferente; en consecuencia, evalúe la respuesta del subwoofer en una amplia variedad de posiciones antes de tomar una decisión definitiva. Una melodía con un bajo que ascienda o descienda progresivamente en la escala musical resulta muy útil para evaluar la suavidad de la respuesta en graves. Escuche atentamente tanto los párrafos más exagerados como los más suaves. Poseer un subwoofer separado le permitirá optimizar el comportamiento de su equipo con respecto a las resonancias de la habitación, así como conseguir la mejor imagen sonora posible.

Si el subwoofer va a ser utilizado en un espacio limitado (como por ejemplo un mueble hecho a medida), dicho espacio debe estar suficientemente ventilado para permitir la perfecta refrigeración del amplificador incluido en aquél. Consulte con su detallista en caso de que precise de algún consejo al respecto.

El subwoofer es suministrado de serie con cuatro puntas de desacoplo. Dichas puntas atravesarán la alfombra de su habitación, proporcionando un firme soporte del aparato directamente sobre el suelo aunque sin dañar este último.

Si el aparato va a ser instalado sobre una superficie delicada, como por ejemplo un suelo de parquet o revestido de moqueta, coloque un disco de protección debajo de cada punta metálica de desacoplo o coloque los cuatro pies de goma en lugar de las puntas metálicas de desacoplo.

Cuando coloque las puntas metálicas de desacoplo o los pies de goma, coloque en primer lugar completamente las tuercas de fijación en los tornillos correspondientes y a continuación inserte cada conjunto en los orificios dispuestos para tal efecto en la base del recinto. Si el subwoofer no está bien equilibrado, afloje los pies/puntas que sean

necesarios hasta que el mismo descansa firmemente sobre el suelo y a continuación fije de nuevo las tuercas de fijación correspondientes.

Conexiones eléctricas

Desconecte todos los componentes de su equipo de sonido de la red eléctrica hasta que hayan sido efectuadas y comprobadas todas las conexiones de señal. De este modo evitará el riesgo de que se produzcan daños en caso de que se realicen conexiones erróneas.

La función del subwoofer consiste en recibir señales de la cadena de amplificación y, en aquellos casos donde sea necesario para aplicaciones de audio de 2 canales, dividir la señal entre extremo grave y el resto de frecuencias enviando esta última a las cajas acústicas del equipo (*satélites*). Si se desea, las entradas de señal correspondientes a los canales izquierdo y derecho pueden combinarse en una única señal de extremo grave que es enviada al altavoz del subwoofer.

El subwoofer admitirá la entrada y la salida tanto de señales de nivel de línea como de alto nivel a través, respectivamente, de los terminales RCA y los de 4 mm para la conexión de cajas acústicas ubicados en su panel posterior.

Utilice la siguiente tabla para seleccionar el modo de conexión más adecuado para su instalación:

Aplicación: Cine en Casa/Audio Multicanal

El subwoofer puede ser utilizado con cualquier decodificador que incorpore una salida de nivel de línea específica para subwoofer (normalmente a partir de un conector RCA). La mayoría de decodificadores separados y electrónicas integradas de A/V suelen suministrar una señal de nivel de línea para el canal de subwoofer o Efectos de Baja Frecuencia (*Low-Frequency Effects* o LFE).

- Decodificador con uno o más subwoofers – figura 3

Aplicación: Audio Estéreo

Preamplificador y etapa de potencia separados:

- a Uno o más subwoofers con su salida combinada en una única señal monofónica: fig. 4
- b Dos subwoofers con señales separadas para los canales izquierdo y derecho: fig. 5

El ASW™2500 no es adecuado para ser utilizado con conjuntos formados por preamplificador y etapa de potencia de 2 canales a menos que el primero incorpore una salida de nivel de línea.

Utilización de más de un subwoofer

El empleo de más de un subwoofer en una única instalación puede mejorar las prestaciones de la misma del siguiente modo:

- Mantenimiento de la separación estereofónica hasta las frecuencias más bajas.
- Sonorización de habitaciones de mayores dimensiones.
- Permitir niveles de presión sonora más elevados, lo que a menudo resulta muy útil para reproducir de modo efectivo los efectos especiales relacionados con las aplicaciones de Cine en Casa.
- Suavizar los efectos de las resonancias de baja frecuencia de la sala de escucha.

Si está utilizando dos subwoofers en un equipo de audio de 2 canales, la separación estereofónica en el caso de que cada canal tenga su propio subwoofer aumentará dando por supuesto que cada subwoofer sea ubicado cerca de la correspondiente caja acústica satélite. Utilice la conexión para funcionamiento monofónico que se muestra en la figura 4 solamente en el caso de que le sea imposible colocar cada subwoofer cerca de su correspondiente caja acústica satélite.

Compruebe las conexiones

ASEGÚRESE DE QUE LA TENSION DE ALIMENTACION INDICADA EN EL PANEL DEL AMPLIFICADOR CONCUERDA CON LA DE SU RED ELECTRICA LOCAL.

Antes de proceder a la evaluación de la calidad sonora de su nueva instalación y al ajuste fino de la misma, compruebe las conexiones realizadas. Muy a menudo, los usuarios se quejan de que no pueden obtener un sonido decente a pesar de manejar adecuadamente los controles aunque sólo para descubrir que algo había sido conectado de forma errónea. Asegúrese de que:

- La puesta en fase es correcta, lo que significa que no debería haber conexiones de positivo a negativo (o viceversa) en las cajas acústicas satélites. Si algo está fuera de fase, es posible que se obtenga un sonido difuso con una imagen sonora flotante e imprecisa, una falta patente de graves o una combinación de ambas cosas.
- No hay cruces entre canales, hecho que podría derivar en, por ejemplo, que una orquesta esté situada en la posición incorrecta o, peor aún, los sonidos de su sistema de Cine en Casa fueran en dirección opuesta a la de la acción que transcurre en la pantalla.

Arranque y apagado

Le recomendamos que ponga en marcha el subwoofer antes que cualquier amplificador que reciba señales del mismo. Del mismo modo, en el momento del apagado del sistema deje al subwoofer para el final.

El conmutador de puesta en marcha/arranque automático/activación de la posición de espera (9) situado en la parte superior derecha del panel del amplificador no aísla por completo este último del suministro de energía eléctrica puesto que mantiene una entrada de señal de alimentación de bajo nivel para un circuito de detección auxiliar. La versión de 230 V del amplificador incorpora un conmutador adicional (13) que aísla por completo el suministro de energía. Para aislar otras versiones deberá desactivar la toma de corriente eléctrica o desconectar el cable de alimentación del amplificador. Le recomendamos que aisle el subwoofer de la red eléctrica si no piensa utilizarlo durante largos períodos de tiempo.

El conmutador (9) funciona tal como se explica a continuación:

On:

Con el conmutador en esta posición, el amplificador permanece siempre activado y el indicador se ilumina en color verde.

Auto:

La primera vez que sitúe el subwoofer en la posición Auto, el amplificador interno se colocará en su posición de pleno funcionamiento y el indicador luminoso situado (10) encima del conmutador de puesta en marcha/arranque automático/activación de la posición de espera adquiere color amarillo. Después de unos 5 minutos sin presencia de señal de entrada, el amplificador regresa automáticamente a la posición de espera y el mencionado indicador luminoso pasa a ser de color rojo. Cuando se detecta una señal a la entrada, el amplificador se sitúa automáticamente en su posición de pleno funcionamiento y el indicador luminoso cambia a color verde.

Posición de Espera ("Standby"):

En esta posición, el amplificador está permanentemente en la posición de espera y el indicador luminoso se activa en color rojo.

Ajuste de los controles

Hay 5 controles a considerar:

- El control de VOLUMEN (4)
- El control para el ajuste de la FRECUENCIA DE CORTE DEL FILTRO PASO BAJO (5)
- EL conmutador de FASE (6)
- El conmutador de activación del FILTRO PASO BAJO (7)
- El conmutador de ECUALIZACION (EQ) (8)

El ajuste óptimo depende del resto de componentes utilizados conjuntamente con el subwoofer. Si se está utilizando más de un subwoofer, asegúrese de que los controles de cada uno están ajustados en la misma posición.

Utilización con decodificadores de sonido envolvente

El ASW™2500 no posee certificación THX® pero en caso de que así se desee puede ser utilizado con un controlador THX®.

- Ajuste el control de VOLUMEN del decodificador en la mitad de su recorrido (las 12 en punto).
- El ajuste del control correspondiente a la FRECUENCIA DE CORTE DEL FILTRO PASO BAJO es irrelevante.
- Sitúe inicialmente el conmutador de FASE en 0°.
- Ajuste el conmutador de activación del FILTRO PASO BAJO en OUT.
- Sitúe inicialmente el conmutador de ECUALIZACION en la posición A.

Vea también la sección dedicada al "Ajuste fino".

Si usted posee un controlador THX®, asegúrese de que la función de subwoofer esté activada. Cuando el controlador esté adecuadamente configurado, el mismo incorporará todos los ajustes de nivel y filtrado requeridos por el subwoofer en todos los modos de funcionamiento. Para la calibración de nivel pueden utilizarse los controles de nivel y el generador interno de tonos de prueba del controlador THX®. En todos los casos, los niveles deberían ajustarse para obtener un nivel de presión sonora de 75 dB (medidos con ponderación C) en la posición de escucha utilizando la señal de ruido rosa de prueba del controlador.

Si utiliza otro tipo de decodificadores, configure las cajas acústicas de sonido envolvente en "large" ("grandes") o "small" ("pequeñas") antes de ajustar los niveles correspondientes. Utilice los controles de nivel y el generador interno de tonos de prueba del controlador para ajustar los niveles de todas las cajas acústicas del equipo. Cambie el nivel de VOLUMEN en el subwoofer solamente si el decodificador no dispone de un rango de ajuste suficiente para lograr los niveles adecuados.

Pueden adquirirse sonómetros de bajo precio en cualquier tienda de componentes electrónicos. Dichos aparatos deberían utilizarse cada vez que se procediese a calibrar los niveles correspondientes a los distintos canales de su equipo.

Uso para audio de 2 canales

- Ajuste el control de VOLUMEN del decodificador en la mitad de su recorrido (las 12 en punto).
- Sitúe inicialmente la FRECUENCIA DEL CORTE DEL FILTRO PASO BAJO en 80 Hz.
- Sitúe el conmutador de activación del FILTRO PASO BAJO en IN.
- Sitúe inicialmente el conmutador de ECUALIZACION en la posición B.

- Sitúe inicialmente el conmutador de FASE en 0°.

Vea también la sección dedicada al "Ajuste fino".

Ajuste fino

Hay dos ajustes para el conmutador de ECUALIZACION: "Posición A" está optimizado para permitir que el subwoofer proporcione los niveles de escucha más altos posible mientras que "Posición B" proporciona una superior extensión de la respuesta en graves y un sonido con más cuerpo y control.

Audio de 2 canales

Los ajustes óptimos para el conmutador de FASE y la FRECUENCIA DE CORTE DEL FILTRO PASO BAJO están interrelacionados y además dependen de la frecuencia de corte inferior de las cajas acústicas satélites y las posiciones relativas de todas las cajas acústicas del equipo.

Ajuste el sistema en su posición preferida y reproduzca algunos temas musicales que contengan una buena dosis de graves. El ajuste óptimo para la FRECUENCIA DE CORTE DEL FILTRO PASO BAJO depende de varias variables: la respuesta en graves y la capacidad en potencia de las cajas acústicas satélites, el número de subwoofers utilizados y su posición con respecto a las cajas acústicas satélites. La zona de 80–90 Hz es un buen punto de partida para la FRECUENCIA DE CORTE INFERIOR. A menos que se utilicen dos subwoofers para preservar por separado la información de graves correspondiente a los canales izquierdo y derecho y los mismos estén ubicados cerca de las correspondientes cajas acústicas satélites, el uso de una frecuencia de corte más alta puede comprometer la imagen estereofónica y debe ser considerada únicamente en el caso de que la respuesta en graves de las cajas acústicas satélites sea particularmente limitada.

Cada vez que realice un ajuste de la frecuencia de corte superior del subwoofer, efectúe una prueba de escucha con el conmutador de fase en las dos posiciones. La posición correcta será aquella que proporcione un mayor nivel de graves, dependiendo el resultado final de las características de la respuesta en graves de sus cajas acústicas satélites y de las distancias relativas del(los) subwoofer(s) y aquellas a los oyentes. Cuando utilice más de un subwoofer, asegúrese de que cada uno tenga los mismos ajustes en la frecuencia de corte y el selector de fase.

Ajuste el nivel de salida del subwoofer con respecto a las cajas acústicas satélites en función de sus preferencias. Utilice una amplia variedad de mensajes musicales con el fin de establecer un ajuste intermedio que sea válido para todos. Piense al respecto que un ajuste que proporcione un sonido impresionante con un tema musical puede ser desastroso para otro. Escuche la música a niveles de presión sonora sensatos puesto que la percepción del balance varía con el nivel del sonido.

Cine en Casa

En el caso del Cine en Casa, la situación es algo distinta de la existente en audio de 2 canales. La señal de subwoofer (LFE) corresponde más a una señal separada que a una extensión de la enviada a las cajas acústicas satélites. El filtro PASO BAJO es desconectado puesto que es el decodificador el que se encarga de proporcionar todo el filtrado a cualquier caja acústica configurada como "small" ("pequeña"). Sin embargo, la posición del conmutador de fase debe seguir siendo valorada. Por lo general, la fase debe ser ajustada en 0° pero si el subwoofer está colocado a una distancia significativamente distinta de las demás cajas acústicas o la etapa de potencia que ataca a estas últimas invierte la señal, la posición de 180° podría resultar más adecuada. Haga pruebas de escucha colocando el conmutador en las dos posiciones disponibles y elija la que proporcione el sonido más convincente. Si la diferencia percibida es poca, deje el conmutador en 0°.

Por regla general, los decodificadores de sonido envolvente incluyen una señal de ruido calibrada que puede ser utilizada para establecer los niveles relativos de todas las cajas acústicas, haciendo de este modo que la tarea resulte algo más sencilla que en el caso del audio de 2 canales. Aún así, no tenga miedo de alterar los ajustes para que se adapten a sus preferencias personales. Es demasiado fácil entusiasmarse con las posibilidades del subwoofer, en particular con ciertos efectos especiales de baja frecuencia. Muy a menudo se consigue una recreación del sonido más realista y satisfactoria a largo plazo situando el nivel del subwoofer por debajo del correspondiente a la calibración estándar.

Todo tipo de aplicaciones

Si detecta problemas relacionados con una concentración excesiva de graves -es decir si ciertas notas bajas son exageradas con respecto a otras-, es muy posible que se deban a la interacción del equipo con la sala de escucha, por lo que le recomendamos que experimente con la colocación del subwoofer. Piense que un pequeño cambio en la posición -del orden de unos 15 centímetros- puede tener efectos muy importantes sobre el sonido. Intente elevar un poco el subwoofer con respecto al suelo, así como desplazarlo lateralmente. El uso de varios subwoofers puede suavizar los efectos debidos a las resonancias de la habitación puesto que cada subwoofer tenderá a excitar resonancias a frecuencias distintas. Si usted altera de modo

apreciable las distancias relativas entre el(los) subwoofers(s) y las cajas acústicas satélites con respecto a los oyentes, reajuste el selector de fase. También debería comprobar el ajuste de nivel del subwoofer (utilizando los controles del nivel de salida del decodificador o el control de volumen del subwoofer dependiendo de cada situación) aunque sólo después de ajustar correctamente la fase.

Cuidado y mantenimiento

El recinto del subwoofer debe limpiarse con ayuda de una gamuza seca. Si desea utilizar un spray limpiador de tipo aerosol, no pulverice nunca directamente hacia el recinto de la caja sino hacia la gamuza. Quite la rejilla antes de proceder a la limpieza del recinto pero asegúrese de no tocar el altavoz. La rejilla también puede limpiarse con ayuda de un cepillo suave.

No utilice el subwoofer como mesa. Cuando está funcionando, los objetos situados en su parte superior pueden moverse y caer. En particular, evite los riesgos asociados al vertido de líquidos (procedentes de bebidas o floreros).

Si el sistema no va a ser utilizado durante un largo período de tiempo, desconecte el subwoofer de la red eléctrica.

PORTUGUÊS

AVISOS:

Para evitar o risco de choque eléctrico, não exponha este equipamento à chuva ou humidade.

Respeite todos os avisos presentes no próprio equipamento.

Para evitar choques eléctricos, não abra a tampa nem retire o painel posterior. Não existem partes substituíveis pelo utilizador no interior, devendo todas as questões relativas a assistência ser apresentadas a um revendedor autorizado B&W.

Assegure-se que a tensão de alimentação especificada para o amplificador é igual à da sua instalação.

O fusível de alimentação está colocado no interior do módulo de amplificação, em caso de defeito, o substituto deve ser do mesmo tipo e calibre do inicialmente fornecido.

Este equipamento não deve ser ligado à terra.

Assegure-se que o produto é adequadamente ventilado. Não obstrua a circulação de ar à volta do painel traseiro do amplificador. Não bloqueie as aberturas do painel. Não use este produto num móvel ou armário a menos que o volume atrás dele seja ventilado para o espaço da sala.

Verifique se não existem cabos sob a tapete que possam ser danificados pelos espigões.

Não desloque o equipamento sobre os espigões, pois isso pode fazer com que se soltem do equipamento e causar danos.

Tenha cuidado com os seus próprios pés, os espigões são perigosos.

Introdução

Obrigado pela sua preferência na compra do Subwoofer Activo da B&W ASW™2500.

Desde a sua fundação em 1966, que a filosofia de base da B&W tem sido a procura da reprodução sonora perfeita. Inspirados pelo fundador da companhia, o já falecido John Bowers, esta busca significou não só um elevado investimento em tecnologia e inovação de áudio mas também uma permanente avaliação em termos musicais para assegurar que a tecnologia é aproveitada ao máximo.

O ASW™2500 foi desenhado para instalações de Cinema em Casa e para aumentar a performance de graves das colunas "full range" usadas em 2 canais audio. Adicionando o subwoofer ao seu sistema não só estende o grave a frequências mais baixas, como melhora a clareza dos médios reduzindo a exigência de graves nas suas colunas.

Por favor, leia a totalidade deste manual antes de utilizar o subwoofer. Todas as instalações sonoras necessitam de algum planeamento e ensaio quando se pretende obter o melhor desempenho dos equipamentos utilizados. Este manual poderá guiá-lo através deste processo.

Uma vez que o subwoofer é ligado à rede de alimentação, será da maior importância que se familiarize com as instruções de segurança e siga todos os avisos.

Mantenha este manual em lugar seguro para futuras consultas.

Os equipamentos B&W Loudspeakers são distribuídos em mais de 60 países de todo o mundo e mantemos uma rede internacional de dedicados distribuidores cuidadosamente escolhidos. Se deparar com qualquer problema que o seu revendedor não esteja em condições de resolver, os nossos distribuidores estão à sua disposição.

Desembalagem

(figura 1)

A forma mais fácil para desembalar o subwoofer é a seguinte:

- Abra completamente as tampas e coloque a caixa em posição invertida.
- Levante a caixa deixando o equipamento no chão.

Recomendamos que guarde a embalagem para futura utilização.

Para além deste manual, a caixa deve conter:

- 1 Subwoofer
- 1 Pacote de acessórios contendo:
 - 4 Pés de borracha
 - 4 Spike
 - 4 Porcas de aperto
- 1 Documento de garantia internacional

Visita ao subwoofer

(figura 2)

- 1 Tomada LINK OUT
- 2 Tomada LINE OUT
- 3 Tomada LINE IN
- 4 Controlo de VOLUME (entrada de linha)
- 5 Controlo de FREQUÊNCIAS BAIXAS
- 6 Selector de FASE
- 7 Interruptor de corte de FILTRO DE FREQUÊNCIAS BAIXAS
- 8 Interruptor de Equalização
- 9 Interruptor de CORRENTE Ligado/Auto/Desligado
- 10 Indicador de Corrente/Standby
- 11 Orifícios de ventilação

12 Selector de voltagem/indicador

13 Interruptor de isolamento de corrente

14 Suporte de fusível

Colocação do subwoofer

Uma vez que o subwoofer reproduz apenas sons de frequência muito baixa, a colocação da unidade é menos exigente, em certos aspectos, do que a das colunas convencionais. A informação mais direccional é muito menos precisa existindo uma maior gama de escolha na colocação do equipamento para obter um bom efeito. Dito isto, os melhores resultados são obtidos quando o subwoofer é colocado entre as colunas ou próximo de uma delas. Se utilizar dois subwoofers, o melhor será colocar um junto de cada uma das colunas frontais.

A colocação do subwoofer atrás do ouvinte, mesmo em sistemas de som envolvente, oferece geralmente uma imagem sonora de menor qualidade; mas pode constituir um compromisso aceitável em casos de incompatibilidade com a decoração doméstica.

Como em todas as colunas, a proximidade das paredes afecta o desempenho sonoro. Os baixos são geralmente reforçados pela proximidade de superfícies. No entanto, ao contrário das colunas para toda a gama, poderá sempre ajustar o equilíbrio geral do sistema através do controlo de volume do subwoofer. Quanto mais ganho obtiver da própria sala, menos potência a coluna terá de fornecer; mas existe um contra. A colocação junto ao canto excita por vezes as ressonâncias de baixa frequência da sala, tornando os baixos menos homogêneos. Não existe qualquer forma de substituir os ensaios, uma vez que todas as salas se comportam de forma diferente, por isso deverá ensaiar várias soluções de colocação antes de tomar a decisão final. Uma peça musical com uma linha de baixos subindo ou descendo a escala musical, será útil para determinar o equilíbrio da resposta de baixos. Esteja atento à existência de notas demasiado fortes ou fracas. Com um subwoofer independente poderá otimizar a interacção com as ressonâncias da sala independentemente da colocação das colunas satélite para uma melhor imagem sonora.

Se pretender utilizar o subwoofer num espaço exíguo, como é o caso de mobiliário feito por medida, assegure-se que existe suficiente ventilação para o amplificador integrado no equipamento. Se não estiver certo se o espaço para ventilação é adequado, consulte o seu revendedor.

O subwoofer é fornecido com quatro espigões. Estes espigões atravessam a tapete, fixando a coluna directamente ao solo sem achatar a tapete.

Se a unidade é para ser usada numa superfície vulnerável, como chão de madeira, coloque um disco de protecção em cada spike ou coloque os quatro pés de borracha no lugar dos spikes.

Quando fixar quer os pés de borracha quer os spikes, primeiro enrosque as porcas de aperto e depois enrosque os pés completamente nos orifícios com rosca na base da caixa. Se a unidade abana, desaperte os dois opostos e respectivos pés até que esteja firme, depois reaperte as porcas de aperto.

Ligações eléctricas

Desligue todos os equipamentos do sistema de som da respectiva alimentação até efectuar e verificar todas as ligações. Isto assegura que não há risco de provocar avarias quando se ligam e desligam os cabos.

A função do subwoofer é receber sinais do amplificador e, onde necessário para 2 canais audio, dividir o sinal em frequências graves baixas e frequências mais altas e enviar as mesmas para as colunas satélite. As entradas dos canais esquerdo e direito podem ser combinadas num envio único mono de graves para a unidade do subwoofer se necessário.

O subwoofer possui entradas e saídas para sinais de nível de linha através de fichas RCA e sinais de nível de coluna através de bornes de 4mm localizados no painel posterior.

Utilize a tabela seguinte para escolher a forma de ligação correcta do seu sistema.

Aplicação: Home Theatre: Equipamento:

O subwoofer pode ser usado com qualquer descodificador que tenha uma saída de linha para subwoofer (normalmente através de uma ficha RCA). A maioria dos descodificadores com amplificadores de potência internos ainda fazem o sinal de saída de subwoofer ou Efeitos de Frequências Baixas (LFE) a nível de linha.

- Descodificador com um ou mais subwoofers – fig. 3

Aplicação: audio 2-canais

Amplificador de potência e pré-amplificador separados:

- a Um ou mais subwoofers com saída combinada num único sinal mono – fig. 4
- b Dois subwoofers com sinais independentes esquerdo e direito – fig. 5

O ASW™2500 não é compatível para uso com amplificadores integrados/pré ou potência de 2 canais, a menos que possuam uma saída de linha.

Utilização de mais de um subwoofer

A montagem de vários subwoofers pode melhorar o desempenho da seguinte forma:

- Mantém a separação entre canais nas frequências mais baixas.
- Melhor desempenho em salas de maiores dimensões.

- Possibilita um maior nível saída – especialmente para efeitos especiais em sistemas Home Theatre.
- Suaviza os efeitos das ressonâncias de baixa frequência da sala.

Se está a usar 2 subwoofers para 2 canais audio, a separação stereo é melhorada se cada canal tiver o seu subwoofer, dando a cada um, um lugar perto da coluna satélite correspondente. Use apenas a ligação mono da figura 4 se não conseguir colocar cada subwoofer perto da sua coluna satélite.

Confirme as ligações

ASSEGURE-SE QUE A TENSÃO INDICADA NO PAINEL DO AMPLIFICADOR ESTÁ DE ACORDO COM A SUA TENSÃO DE ALIMENTAÇÃO.

Antes de apreciar a qualidade de som da sua nova instalação e de efectuar o respectivo ajuste fino, volte a verificar as ligações. Os utilizadores queixam-se muitas vezes de não conseguir obter um som de qualidade decente quando ajustam os controlos, e a causa está normalmente em ligações erradas. Assegure-se que:

- A fase está correcta – não pode haver nenhuma ligação positivo para negativo para as colunas satélite. Se alguma coisa está fora de fase pode obter um som estranho com uma imagem imprecisa e flutuante, uma falta de graves ou uma combinação de ambas.
- Não devem existir trocas do canal esquerdo com o direito – isso pode resultar, por exemplo, numa disposição incorrecta da orquestra ou, pior ainda, o som do seu sistema de auditório doméstico é proveniente do lado oposto do ecrã àquela em que decorre a acção.

Ligar e desligar

Recomendamos que ligue o subwoofer antes de qualquer amplificador que receba sinais deste equipamento. De forma idêntica, quando desligar, desligue o subwoofer em último lugar.

O interruptor (9) ligado/auto/desligado na parte superior direita do painel do amplificador não isola completamente da fonte de alimentação. Mantém uma entrada de baixa corrente para um circuito de sensibilidade auxiliar. A versão de 230V do amplificador tem um interruptor adicional (13) que o isola completamente da fonte de alimentação. Para isolar outras versões, ou desligue a ficha da tomada de corrente ou desligue o cabo de corrente do amplificador. Recomendamos que isole o subwoofer da fonte de alimentação se estiver sem uso por longos períodos de tempo.

O interruptor (9) funciona como a seguir se descreve:

On:

Com o comutador nesta posição, o amplificador fica permanentemente ligado, e a lâmpada ilumina-se de cor verde.

Auto:

Ligando inicialmente o subwoofer em Auto, o amplificador fica activo e a luz (10) acima do interruptor ligado/auto/standby fica verde. Depois de um período de 5 minutos sem entrada de sinal, o amplificador reverte automaticamente ao modo standby, e a luz fica vermelha. Quando um sinal é detectado, o amplificador fica automaticamente activo e a luz fica verde.

Standby:

Nesta posição, o amplificador está em standby, e a luz fica vermelha.

Ajuste dos controlos do subwoofer

Há 5 controlos a considerar:

- O controlo de VOLUME (4)
- O controlo de FREQUÊNCIAS BAIXAS (5)
- O selector de FASE (6)
- O interruptor de FILTRO DE FREQUÊNCIAS BAIXAS (7)
- O interruptor EQ (equalização) (8)

A posição óptima dos ajustes depende do restante equipamento utilizado com o subwoofer. Se usar mais de um subwoofer, assegure-se que a posição dos controlos de ambos é idêntica.

Utilização com dispositivos de controlo THX® (incluindo dispositivos de controlo THX® em modo não THX®)

O ASW™2500 não é um componente com certificação THX®, mas pode ser usado com um controlador THX® se desejado.

- Ponha o controlo de VOLUME do descodificador a meio do seu percurso total (12 horas)
- O acerto das FREQUÊNCIAS BAIXAS é irrelevante.
- Coloque o comutador de fase inicialmente na posição de 0°.
- Desligue o selector de FREQUÊNCIAS BAIXAS.
- Posicione o selector EQ inicialmente na posição A.

Veja também a secção "Ajuste fino do sistema".

Se tem um controlador THX®, assegure-se de que a função subwoofer está activada. Quando assim configurada incorpora todas as configurações de nível e filtragem necessárias ao subwoofer em todos os modos. Para calibrar o nível, o teste interno de ruído e os controlos internos de nível no controlador THX® devem ser usados. Em qualquer dos casos os níveis devem ser configurados para obter 75dB SPL (C-weighted) na posição de audição do teste de sinal interno do controlador.

Com outros descodificadores, configure as colunas frontais e traseiras para "large" ou "small" como deve ser antes de configurar os níveis. Use o sinal interno de teste de ruído e o controlo de VOLUME no subwoofer se o descodificador não tiver alcance suficiente para atingir os níveis correctos.

Existem aparelhos económicos de medida de nível de pressão sonora (nps) nas lojas de componentes electrónicos que devem ser utilizados para calibrar estes níveis.

Para 2 canais audio (Estéreo)

- Coloque inicialmente o controlo de VOLUME na posição intermédia (12 horas).
- Coloque as FREQUÊNCIAS GRAVES inicialmente em 80Hz.
- Coloque o interruptor de FREQUÊNCIAS GRAVES em IN.
- Coloque o interruptor EQ inicialmente na posição B.
- Coloque o comutador de FASE inicialmente em 0°.

Veja também a secção "Ajuste fino do sistema".

Ajuste fino do sistema

Há duas definições para o interruptor EQ. A posição A é otimizada para permitir o subwoofer para dar os mais altos níveis de audição, enquanto que a posição B dá uma maior extensão de graves juntamente com um som mais compacto.

2 canais audio (Estéreo)

Ajuste do selector de FASE e do controlo de FREQUÊNCIAS GRAVES estão inter-relacionados e também dependentes da frequência de corte das colunas satélite e das posições em que são colocadas todas as colunas do sistema.

Instale o sistema na posição preferida faça uma audição de uma faixa que contenha um grave controlado. A melhor configuração para as FREQUÊNCIA BAIXAS depende de diferentes variáveis; o desempenho de graves e a potência recomendada das colunas satélite, o número de subwoofers usados e a sua posição relativamente às colunas satélite. O intervalo 80 – 90 Hz é um bom ponto de começo para as Frequências BAIXAS. A menos que dois subwoofers estejam a ser usados para preservar a separação de informação dos canais esquerdo e direito e estejam situados perto das colunas satélite correspondentes, usando uma frequência de corte mais alta pode comprometer a imagem stereo e apenas deve ser considerada se o desempenho de graves das colunas satélite é particularmente limitado.

Para cada ajuste da frequência de corte, escute o som com o comutador de fase em ambas as posições. A posição correcta é aquela que fornece mais baixos e que depende do desempenho de baixos das colunas satélite e da distância relativa do(s) subwoofer(s) e colunas satélite ao ouvinte. Quando utilizar mais de um subwoofer, assegure-se que cada um possui os mesmos ajustes de fase e frequência de corte.

Ajuste o ganho do subwoofer em relação aos satélites de acordo com o seu gosto. Utilize uma grande variedade de músicas para poder obter um ajuste médio, pois um som que pode impressionar em determinada peça pode exceder o limite numa outra. Faça o seu ajuste com os níveis de som habituais pois a percepção de equilíbrio varia com o nível de som.

Cinema em Casa

A situação com Cinema em Casa é em algo diferente de simples utilização Estéreo. O sinal do subwoofer (LFE) é um canal separado em vez de uma extensão do sinal das colunas. O filtro de GRAVES é desligado, porque o descodificador faz toda a filtragem para qualquer coluna definida como "small". No entanto, a posição do selector de fase deve ainda assim ser fixado. Normalmente a fase será fixada em 0°, mas se o subwoofer está posicionado a uma distância significativamente diferente das outras colunas, ou que aconteça o amplificador de potência que está a alimentar as outras colunas inverter o sinal, a posição 180° pode ser a melhor. Ouça com o selector em ambas as posições e escolha a que lhe dá o som mais completo. Se houver uma pequena diferença, deixe o selector a 0°.

Os Descodificadores têm habitualmente um sinal de ruído calibrado que pode ser usado para configurar os níveis de todas as colunas, tornando esta tarefa muito mais avançada do que para utilizações Estéreo. No entanto, não tenha medo de alterar as definições para as suas preferências. É também muito fácil deixar-se levar com as capacidades do subwoofer, especialmente com alguns efeitos de frequências baixas. Frequentemente consegue-se um desempenho mais real e a longo prazo mais satisfatório regulando o subwoofer a um nível abaixo do nível normal da calibragem.

Para todas as aplicações

Se tiver problemas de desequilíbrio na reprodução de baixos – com algumas notas baixas exageradas em relação a outras – isto quer dizer que terá provavelmente um problema de interacção com a própria sala de audição, que poderá em princípio ser resolvido alterando a posição do subwoofer. Aquilo que poderá parecer uma pequena alteração de posição – cerca de 15cm – poderá produzir um profundo efeito no som. Experimente levantar o subwoofer do chão assim como a deslocação lateral do mesmo. A utilização de vários subwoofers pode suavizar o efeito das ressonâncias da sala uma vez que cada subwoofer tem tendência para excitar ressonâncias a frequências diferentes. Se alterar de forma apreciável as distâncias relativas do(s) subwoofer(s) e colunas satélite ao ouvinte, controle novamente a posição do comutador de fase. Deverá também verificar o ajuste de nível do subwoofer (utilizando tanto o controlo de nível de saída do descodificador ou o controlo de volume do amplificador do subwoofer), mas apenas após escolher a posição correcta do comutador de fase.

Cuidados com o subwoofer

A caixa do subwoofer pode ser limpa apenas com um pano seco. Se preferir utilizar um produto de polimento em spray, deverá pulverizar sobre o pano e depois aplicar (nunca pulverizar directamente sobre o equipamento). Remova cuidadosamente a grelha afastando-a da caixa e limpe-a com uma escova macia.

Não utilize o subwoofer como mesa. Os objectos colocados sobre ele chocam e deterioram a qualidade de som. Os líquidos são particularmente perigosos (por exemplo bebidas ou vasos de flores), deve pois conservá-los o mais possível afastados do equipamento.

Se o seu sistema não for utilizado por um longo período de tempo, desligue o subwoofer da alimentação.

ITALIANO

AVVERTENZE:

ATTENZIONE: Versioni del prodotto a 120V vengono fornite con un cordone di alimentazione provvisto di spina polarizzata. Per evitare una scarica elettrica alloggiare la lamella piatta della spina nella fessura piatta ed inserirla completamente.

Assicuratevi che la spina sia completamente inserita nella presa a parete o nell'alloggiamento per il cordone di alimentazione per evitare l'esposizione della lamella o del polo.

Per evitare incendi o folgorazioni non esporre l'apparecchiatura a pioggia o umidità.

Rispettare tutte le avvertenze sulle apparecchiature stesse.

Per evitare scosse non aprire il cabinet né rimuovere l'amplificatore dal pannello posteriore. Non contiene parti che l'utente possa utilizzare. Per qualsiasi domanda rivolgersi al rivenditore autorizzato B&W.

Controllare che il voltaggio dell'amplificatore sia quello della rete.

L'alloggiamento del fusibile si trova sul pannello posteriore del modulo dell'amplificatore. Sostituire il fusibile della rete solo con lo stesso tipo e la stessa potenza come indicato sull'etichetta di voltaggio.

Questa apparecchiatura non richiede la messa a terra.

Assicuratevi che il prodotto sia ventilato adeguatamente. Fate in modo che l'aria circoli dietro al pannello posteriore dell'amplificatore. Non oscurate o bloccate le aperture del pannello. Non utilizzate il prodotto in uno scaffale, in una libreria, in un cabinet o in una credenza a meno che il volume dietro al prodotto sia adeguatamente ventilato per lo spazio della stanza.

Controllate che non ci siano cavi sotto il tappeto che potrebbero venire danneggiati dalle punte.

Non spostate il sistema con le punte applicate perché i piedini conici potrebbero staccarsi dal cabinet e danneggiarlo.

Fate attenzione a non trapassarvi i piedi con le punte.

Introduzione

Grazie per avere acquistato il Subwoofer attivo ASW™2500 B&W.

Fin dalla sua fondazione nel 1966, la costante filosofia di B&W è stata quella di ricercare una perfetta riproduzione del suono. Questa ricerca, ispirata dal fondatore della società, John Bowers, ha comportato non solo un elevato investimento in tecnologia audio ed innovazioni, ma ha anche significato una costante rivalutazione della musica e della qualità sonora nei film per garantire il massimo rendimento della tecnologia stessa.

L'ASW™2500 è stato progettato per installazioni home theatre e per aumentare la risposta alle basse frequenze dei diffusori "full range" nell'uso audio a 2 canali. L'aggiunta del subwoofer al vostro sistema non solo estende le basse frequenze a ottave inferiori, ma migliora la purezza della gamma media riducendo le richieste di basse frequenze ai vostri attuali diffusori.

Vi preghiamo di leggere attentamente questo manuale prima di usare il subwoofer. Tutte le installazioni audio richiedono alcune prove al fine di utilizzare in maniera ottimale i prodotti e questo manuale vi guiderà in questo procedimento.

Appena collegato il subwoofer alla rete di alimentazione è importante conoscere le istruzioni di sicurezza e seguire le avvertenze.

Conservate questo manuale in un posto sicuro per successive consultazioni.

I diffusori B&W sono distribuiti in più di 60 paesi in tutto il mondo con una rete internazionale di distributori esclusivi accuratamente selezionati. Se avete un problema che il vostro rivenditore non può risolvere, i nostri distributori saranno lieti di assistervi.

Sballaggio

(figura 1)

Il modo migliore per sballare il Subwoofer evitando di causare danni è il seguente:

- Aprite totalmente i lembi della scatola e capovolgete il cartone e il suo contenuto.
- Sollevate il cartone togliendolo dal prodotto.

Vi raccomandiamo di conservare l'imballo per un successivo utilizzo.

Oltre a questo manuale l'imballo dovrebbe contenere:

- 1 Subwoofer
- 1 Pacchetto di accessori contenente:
 - 4 piedini in gomma
 - 4 punte
 - 4 dadi di fissaggio
- 1 documento di garanzia internazionale

Uno sguardo al subwoofer

(figura 2)

- 1 Connettori livello LINK OUT
- 2 Connettori livello LINE OUT
- 3 Connettori LINE IN
- 4 Controllo VOLUME
- 5 Controllo FREQUENZA FILTRO PASSA-BASSO
- 6 Interruttore di FASE
- 7 Interruttore di neutralizzazione di filtro PASSA-BASSO
- 8 Interruttore di Equalizzazione

- 9 Interruttore di ALIMENTAZIONE On/Auto/Standby
- 10 Spia Alimentazione/Standby
- 11 Fori di ventilazione
- 12 Presa di ingresso di alimentazione
- 13 Interruttore di isolamento di alimentazione (solo nelle versioni a 230V)
- 14 Alloggiamento per fusibile

Posizionamento del subwoofer

Poiché il subwoofer riproduce solo note molto basse, il posizionamento è in qualche modo meno impegnativo di quello dei diffusori a gamma estesa. La direzionalità dell'informazione musicale è molto meno precisa e voi avete maggiore scelta sul posizionamento dei diffusori per ottenere il miglior effetto. Detto questo, i risultati migliori si ottengono se il subwoofer viene collocato fra i diffusori satellite o in prossimità di uno di essi. Se utilizzate due subwoofer è meglio collocarne uno vicino ad ogni diffusore satellite.

Collocando il subwoofer dietro agli ascoltatori, anche in installazioni con suono surround, generalmente crea un'immagine inferiore, tuttavia può risultare un compromesso accettabile nel caso fosse dettato da considerazioni domestiche.

Così come con tutti i diffusori, la vicinanza con le pareti della stanza condiziona il suono. Generalmente i bassi aumentano quando più superfici sono molto vicine ai diffusori. Tuttavia, a differenza dei diffusori a gamma estesa, potete sempre ricreare il corretto bilanciamento di tutto il sistema modificando il livello di volume del subwoofer. Più la stanza tende ad amplificare le basse frequenze, meno il subwoofer deve lavorare. Ma c'è un inconveniente. Le posizioni d'angolo stimolano maggiori risonanze a bassa frequenza nella stanza rendendo il basso più irregolare. Non c'è alcuna alternativa alla sperimentazione in quanto ogni stanza si comporta diversamente, pertanto provate il subwoofer in varie posizioni prima di prendere la decisione finale. Un brano musicale con una scala di bassi ascendente e discendente è utile per determinare la linearità della risposta alle basse frequenze. Ascoltate gli estremi della gamma dei bassi. La presenza di un subwoofer separato vi consente di ottimizzare le risonanze sonore della stanza indipendentemente dalla collocazione dei diffusori satellite per un'immagine ottimale.

Se il subwoofer deve essere utilizzato in uno spazio angusto (per esempio in un mobile apposito), lo spazio deve essere ventilato per consentire una sufficiente circolazione d'aria per raffreddare l'unità. Chiedete consiglio al vostro rivenditore.

Il subwoofer viene fornito con quattro piedini a punta. Le punte trapassano la trama del tappeto fornendo un solido sostegno direttamente sulla superficie del pavimento senza rompere la trama.

Se il subwoofer deve essere collocato su una superficie delicata, come un pavimento in legno, o collocate un dischetto protettivo sotto ogni punta o applicate al posto delle punte i quattro piedini in gomma.

Quando sistemate sia i piedini in gomma sia le punte, avvitate prima completamente i dadi alla filettatura, poi avvitate i piedini saldamente sugli inserti filettati alla base del cabinet. Se l'unità oscilla allentate le due punte opposte che sporgono fino a che il sostegno è stabile poi riavvitate i dadi agli inserti.

Collegamenti elettrici

Scollegate tutto l'impianto audio dalla rete di alimentazione fino a che i collegamenti di segnale sono stati effettuati e controllati. Ciò evita il rischio di danni mentre i collegamenti vengono effettuati o che questi possano essere interrotti.

La funzione del subwoofer è quella di ricevere segnali dalla catena di amplificazione e, dove necessario per l'audio stereo a 2 canali, suddividere il segnale in frequenze basse e frequenze più alte ed inviare queste ultime ai diffusori satellite. Gli ingressi del canale destro e sinistro possono essere uniti in un unico segnale mono alle bassissime frequenze e inviato all'unità subwoofer se necessario.

Il subwoofer può ricevere ed inviare sia segnali di livello linea attraverso le prese RCA Phono collocate sul pannello posteriore.

Utilizzate la seguente tavola per scegliere il corretto metodo di cablaggio per la vostra installazione:

Applicazione: Home Theater

Il subwoofer può essere utilizzato con qualsiasi decoder che abbia un'uscita per subwoofer di livello di linea (normalmente da una presa Phono RCA). La maggior parte dei decoder con finali di potenza integrati erogano il segnale del subwoofer o degli effetti di bassa frequenza (LFE) al livello di linea.

- Decoder con uno o più subwoofer – figura 3

Applicazione: per audio a 2 canali

Preamplificatori e finali di potenza separati:

- Uno o più subwoofer con uscita abbinata in un segnale mono unico – figura 4
- Due subwoofer con segnale destro e sinistro separati – figura 5

L'ASW™2500 non è adatto per un utilizzo con amplificatori integrati a 2 canali, a meno che non siano provvisti di un'uscita di livello di linea dal preamplificatore.

Uso con più di un subwoofer

Usando più di un'unità in un'unica installazione si può migliorare la resa in questo modo:

- Mantenendo la separazione stereo alle frequenze più basse.
- Sfruttando stanze più grandi.
- Rendendo possibile un'uscita sonora più elevata – spesso utile per riprodurre gli effetti speciali nelle applicazioni Home Theater.
- Regolarizza gli effetti delle risonanze nelle stanze sulle basse frequenze.

Se state utilizzando due subwoofer per un audio a 2 canali, la separazione stereo viene migliorata se ogni canale ha il proprio subwoofer, purché ciascuno sia collocato vicino al diffusore satellite importante. Utilizzate solamente i collegamenti mono della figura 4 se non potete collocare ogni diffusore vicino al suo diffusore satellite.

Controllo accurato dei collegamenti

ASSICURATEVI CHE IL VOLTAGGIO INDICATO SUL PANNELLO DELL'AMPLIFICATORE SIA UGUALE A QUELLO DELLA RETE DI ALIMENTAZIONE.

Prima di ascoltare la qualità sonora della vostra nuova installazione e di metterla a punto controllate accuratamente i collegamenti. Troppo spesso gli utenti si lamentano di non riuscire ad ottenere un suono decente nonostante regolino i controlli per poi scoprire che qualche collegamento è stato effettuato male. Assicuratevi che:

- La fase sia corretta – non ci dovrebbero essere collegamenti da positivo a negativo verso i diffusori satellite. Se qualcosa è fuori fase potete notare un suono confuso con un'immagine imprecisa e fluttuante, una mancanza di basse frequenze o una combinazione delle due.
- I canali destro e quello sinistro non siano invertiti – questo può produrre come risultato, per esempio, che l'orchestra si trovi nella posizione opposta o, ancor peggio, che i suoni nel vostro sistema home theater vadano nella direzione opposta all'azione sullo schermo.

Accensione e spegnimento

Vi raccomandiamo di accendere il subwoofer prima che qualsiasi amplificatore di potenza riceva segnali dal subwoofer. Allo stesso modo quando lo spegnete disinserite il subwoofer per ultimo.

L'interruttore on/auto/standby (9) alla destra in alto del pannello dell'amplificatore non isola completamente l'amplificatore dall'alimentazione. Conserva un ingresso a bassa alimentazione a un circuito ausiliario censibile. La versione a 230V dell'amplificatore ha un interruttore in più (13) che isola completamente l'alimentazione.

Per isolare le altre versioni potete o spegnere all'ingresso a parete o scollegare il cordone di alimentazione dall'amplificatore. Vi raccomandiamo di staccare il subwoofer dall'alimentazione se non dovesse essere usato per lunghi periodi di tempo.

Questo interruttore (9) funziona in questo modo:

On:

Con l'interruttore in questa posizione, l'amplificatore resta costantemente acceso e la spia è verde.

Auto:

Non appena si attiva il subwoofer su Auto, l'amplificatore diventa completamente attivo e la spia (10) sopra l'interruttore on/auto/standby diventa verde. Dopo un periodo di circa 5 minuti senza un segnale di ingresso, l'amplificatore automaticamente ritorna in modalità standby e la spia diventa rossa. Quando viene individuato un segnale in ingresso, l'amplificatore diventa automaticamente attivo e la spia diventa verde.

Standby:

In questa posizione l'amplificatore è in standby costante e la luce è rossa.

Regolazione dei comandi

Ci sono 5 comandi da considerare:

- Il comando del VOLUME (4)
- Il comando di FREQUENZA PASSA-BASSO (5)
- L'interruttore di FASE (6)
- L'interruttore FILTRO PASSA-BASSO (7)
- L'interruttore di EQ (equalizzazione) (8)

Le regolazioni ottimali dipendono dagli altri apparecchi utilizzati con il subwoofer. Se utilizzate più di un subwoofer, assicuratevi che i comandi su ciascuno siano gli stessi.

Utilizzo con decoder home theater

L'ASW™2500 non è un componente con certificazione THX®, ma può essere utilizzato con un preamplificatore THX® se si vuole.

- Spostate il controllo VOLUME in posizione media (ore 12).
- La regolazione del comando di FREQUENZA PASSA-BASSO è irrilevante.
- Spostate l'interruttore FASE inizialmente su 0°.
- Regolate l'interruttore di FREQUENZA PASSA-BASSO su OUT.
- Regolate l'interruttore EQ inizialmente in posizione A.

Consultate anche il paragrafo sulla perfetta "messa a punto".

Se avete un'unità di controllo THX® assicuratevi che la funzione subwoofer sia abilitata. In questa configurazione tutti i filtri e le regolazioni di livello necessarie al subwoofer in tutti i modi risultano inseriti. Per la calibrazione di livello, il test di rumore interno e i controlli di livello di canali dovrebbero essere usati. In tutti i casi i livelli dovrebbero essere regolati in modo tale da ottenere 75 dB di pressione sonora (pesato C) nella posizione d'ascolto dal segnale test di rumore interno dell'unità di controllo.

Con altri decoder, configurate i diffusori anteriori e surround come "large" o "small" come corretto prima di regolare i livelli. Utilizzate il segnale interno di verifica del disturbo e i controlli di volume del decoder per regolare i livelli di tutti i diffusori. Cambiate solamente il comando del VOLUME sul subwoofer se non c'è nel decoder gamma sufficiente per raggiungere i giusti livelli.

Misuratori di livello sono poco costosi sono facilmente reperibili presso i negozi di elettronica e dovrebbero essere usati per regolare accuratamente i livelli. Fate riferimento al manuale di istruzioni per ulteriori dettagli sulle regolazioni dei livelli.

Utilizzo per l'audio a 2 canali

- Inizialmente regolate il comando del VOLUME in posizione centrale (ore 12).
- Inizialmente regolate la FREQUENZA PASSA-BASSO a 80 Hz.
- Regolate l'interruttore di FREQUENZA PASSA-BASSO su IN.
- Inizialmente regolate l'interruttore EQ in posizione B.
- Posizionate il commutatore di fase inizialmente a 0°.

Vedere anche la sezione "Messa a punto".

Messa a punto

Ci sono due regolazioni dell'interruttore EQ. La posizione A viene ottimizzata per consentire al subwoofer di fornire i più alti livelli di ascolto, mentre la posizione B offre una maggiore estensione sulle basse frequenze abbinata a un suono più controllato.

Audio a 2 canali

Le regolazioni ottimali del commutatore di FASE e della frequenza del filtro PASSA/BASSO sono correlate e dipendono anche dalla caratteristica di taglio alle basse frequenze dei diffusori satellite e dalle relative posizioni di tutti i diffusori dell'impianto.

Collocate il sistema nella posizione preferita ed ascoltate alcuni brani con un ricco contenuto di basse frequenze. La regolazione ottimale della FREQUENZA PASSA-BASSO dipende da diverse variabili – la risposta ai bassi e la potenza di pilotaggio dei diffusori satellite, il numero dei subwoofer utilizzati e la loro posizione rispetto ai diffusori. La gamma degli 80 – 90 Hz è un buon punto di partenza per il filtro PASSA-BASSO. A meno che non vengano utilizzati due subwoofer per garantire un'informazione musicale separata nei canali destro e sinistro, e questi sono collocati vicino ai diffusori principali, l'utilizzo di una frequenza di taglio più alta può alterare l'immagine stereo e dovrebbe essere presa in considerazione solo nel caso in cui la risposta sui bassi dei diffusori satellite fosse particolarmente limitata.

Ad ogni regolazione della frequenza di taglio ascoltate con il commutatore di fase in entrambe le posizioni. Quella corretta vi darà il basso più corposo e questo dipenderà dalle caratteristiche di risposta alle basse frequenze dei vostri diffusori satellite e dalle relative distanze del/dei subwoofer e dei satelliti dall'ascoltatore. Quando utilizzate più di un subwoofer, assicuratevi che ognuno di essi abbia i commutatori di fase e di frequenza di taglio nella stessa posizione.

Regolate il loudness del subwoofer rispetto ai diffusori satellite a vostro piacimento. Usate un'ampia varietà di brani per trovare una regolazione ottimale. Se un pezzo musicale ad un livello di regolazione ha un suono eccezionale, un altro brano allo stesso livello di loudness può risultare eccessivamente potente. Ascoltate a livelli realistici poiché la percezione del bilanciamento varia in funzione del livello sonoro.

Home theatre

La situazione con l'home theatre è in un certo senso diversa dall'audio a 2 canali. Il segnale del subwoofer (LFE) è un canale separato più che un'estensione del segnale ai diffusori satelliti. Il filtro PASSA-BASSO viene disattivato, perché il decoder fornisce tutti i filtri per qualsiasi diffusore posto su "small". Tuttavia, la posizione dell'interruttore di fase deve ancora essere definita. Normalmente la fase sarà posta a 0°, ma se il subwoofer viene posto a una notevole distanza dagli altri diffusori, oppure l'amplificatore di potenza che pilota gli altri diffusori inverte per caso il segnale, potrebbe essere consigliabile la posizione a 180°. Ascoltate con l'interruttore in entrambe le posizioni e scegliete quello che fornisce il suono più pieno. Se c'è poca differenza, lasciate l'interruttore a 0°.

In genere i decoder hanno un segnale di disturbo calibrato che può essere utilizzato che può essere usato per definire i livelli relativi di tutti i diffusori, rendendo il compito in un certo senso più semplice che con l'audio a 2 canali. Tuttavia, non temete di alterare le regolazioni secondo le vostre preferenze. È fin troppo facile lasciarsi trasportare dalle possibilità del subwoofer, in particolar modo con alcuni effetti sulle basse frequenze. Spesso un'immagine più realistica e una più soddisfacente a lungo termine, è possibile ottenerla regolando il livello del subwoofer più basso del livello di calibrazione standard.

Tutte le applicazioni

Se avete problemi di bassi eccessivi – se alcune note basse sono esuberanti più di altre – probabilmente avete problemi di interfaccia con l'ambiente d'ascolto ed è consigliabile intervenire sul posizionamento del subwoofer. Quelli che possono sembrare piccoli spostamenti – circa 15 cm – possono avere effetti molto rilevanti sul suono. Provate ad alzare dal pavimento il subwoofer spostandolo anche dai lati. L'utilizzo di più subwoofer può attenuare gli effetti delle risonanze della stanza poiché ogni subwoofer tenderà a stimolare risonanze a frequenze diverse. Se modificate in modo considerevole le distanze relative fra i subwoofer e i diffusori satellite e gli ascoltatori, ridefinite la regolazione della fase. Dovreste anche verificare il livello del subwoofer (utilizzando sia i livelli di uscita del decoder, sia il controllo volume sull'amplificatore del subwoofer in maniera adeguata) ma solo dopo aver regolato correttamente la fase.

Manutenzione del subwoofer

Il cabinet del subwoofer potrebbe essere pulito spolverandolo con un panno asciutto. Se desiderate utilizzare un prodotto spray per la pulizia, non spruzzatelo direttamente sul cabinet, ma sul panno. Rimuovete prima la griglia in modo tale che il tessuto non si macchi, facendo attenzione a non arrecare danno all'unità altoparlante. La griglia stessa può essere pulita usando una spazzola morbida.

Non usate il subwoofer come un tavolo. Quando è in funzione gli oggetti lasciati sul piano superiore tendono a vibrare. In particolare, evitate il rischio che liquidi vengano versati (ad esempio bevande o vasi di fiori).

Se il sistema non viene usato per parecchio tempo, scollegate il subwoofer dalla rete di alimentazione.

NEDERLANDS

WAARSCHUWINGEN:

VOORZICHTIG: Steek de netstekker altijd volledig in de wandkontaktdoos of het verlengsnoer.

Er mag van de pennen geen metaal zichtbaar zijn.

Om brand- en schokgevaar te voorkomen mag u dit apparaat niet blootstellen aan regen of vocht.

Volg de waarschuwingen die op het apparaat staan altijd op.

Voorkom een elektrische schok: open daarom de behuizing niet en haal ook de versterker niet van het achterpaneel. Onderdelen kunnen niet door de gebruiker worden gerepareerd. Reparatie en onderhoud mag uitsluitend gebeuren door een gekwalificeerde B&W-dealer.

Overtuig u ervan of de netspanning van het apparaat overeenkomt met die van het lichtnet.

Vervang de zekering uitsluitend door één van hetzelfde type en waarde zoals is meegeleverd.

Het apparaat is dubbelgeïsoleerd en moet zonder randaarde worden gebruikt.

Zorg voor voldoende ventilatie en controleer of de luchtstroom langs het versterkerpaneel niet geblokkeerd is. Houd de openingen in het paneel vrij. Gebruik het product niet in een rek, boekenkast, wandmeubel of andere kast, tenzij er voldoende ventilatieruimte aan de achterzijde is.

Kontroleer of er geen kabels onder het tapijt liggen die kunnen worden beschadigd door de "spikes".

Verplaats de behuizing niet door hem van de ene "spike"-punt naar de andere te kantelen: hierdoor kunnen deze losbreken van de behuizing en schade veroorzaken.

Haal uw eigen voeten onder de "spikes" weg voor u de behuizing neerzet.

Inleiding

Van harte gefeliciteerd met de aanschaf van uw B&W ASW™2500 Aktieve Sublaaguidspreker!

Vanaf het allereerste begin in 1966 heeft B&W altijd gezocht naar de "perfekte geluidswaergave". Deze zoektocht heeft niet alleen geleid tot hoge investeringen in audiotechnologie en -innovaties, maar (geïnspireerd door de inmiddels overleden oprichter John Bowers) ook in een permanente waardering voor muziek: dit garandeert namelijk dat al die technologie maximaal en op de juiste manier wordt gebruikt.

De ASW™2500 is speciaal ontworpen voor Home Cinema systemen en ook om het laag van stereosystemen extra te versterken. De Sublaaguidspreker doet echter veel meer dan de laagweergave van uw audiosysteem uitbreiden. Doordat namelijk de gewone luidsprekers in het laag nu veel minder belast worden, verbetert ook de weergave van het erg belangrijke middengebied.

Echter: hoe goed de luidspreker op zich ook is, hij moet goed werken in de luisterruimte. De tijd die u daarom spendeert aan een zo goed mogelijke plaatsing zal uiteindelijk resulteren in vele uren luisterplezier.

Omdat de actieve luidspreker direct is verbonden met het lichtnet is het belangrijk dat u de veiligheidsinstructies en waarschuwingen goed leest en ook opvolgt.

Bewaar deze gebruiksaanwijzing op een veilige plaats als referentie voor later.

B&W luidsprekers worden verkocht in meer dan 60 landen over de hele wereld. B&W heeft een internationaal netwerk van zorgvuldig uitgezochte importeurs die u de beste service zullen geven. Als u op een bepaald moment problemen heeft die uw leverancier niet kan oplossen, kan de importeur u altijd verder helpen.

Uitpakken

(figuur 1)

Het eenvoudigste is om eerst de doosflappen geheel terug te vouwen, dan de doos om te keren, waarna u alleen de doos voorzichtig omhoog trekt. De luidspreker blijft dan op zijn plaats staan.

- Verwijder het verpakkingsmateriaal van de luidspreker.
- We adviseren u om het verpakkingsmateriaal te bewaren. Wanneer u eventueel in de toekomst de luidsprekers moet vervoeren, komt de originele verpakking van pas.

Naast deze gebruiksaanwijzing bevat de doos:

- 1 Sublaaguidspreker
- 1 Accessoirepakket met:
 - 4 rubber voetjes
 - 4 spikes
 - 4 klemmoeren
- 1 Internationaal garantieboekje

Een rondleiding langs de ASW™2500 (figuur 2)

- 1 Doorluslijnitgang
- 2 Lijnitgang
- 3 Lijningang
- 4 Volumeregelaar
- 5 Frequentieregelaar voor laagfilter
- 6 Schakelaar voor laagfilter
- 7 Polariteitschakelaar (0°/180°)
- 8 Schakelaar voor klankregeling
- 9 Aan/auto/uit schakelaar
- 10 Netspanning/standby indicatie
- 11 Ventilatieopeningen
- 12 Lichtnet aansluiting
- 13 Netschakelaar (alleen bij 230 V model)
- 14 Zekeringhouder

Plaatsen van de ASW™2500

De sublaaguidspreker geeft uitsluitend zeer lage frequenties weer, daarom is de plaatsing minder belangrijk dan bij normale luidsprekers. De richtingsinformatie is veel minder nauwkeurig zodat u meer keuzemogelijkheden heeft met betrekking tot de plaatsing van de sublaaguidspreker. Maar voor de beste resultaten adviseren we de ASW™2500 tussen de linker en rechter voorluidspreker te plaatsen of tenminste dicht bij één van de twee. Gebruikt u twee ASW™2500's dan zet u elk zo dicht mogelijk bij een voorluidspreker.

Een sublaaguidspreker achter de luisteraars geeft zelfs in surround systemen meestal een slecht geluidsbeeld. Het kan echter een noodzakelijk compromis zijn in het kader van "huiselijke omstandigheden" (als u begrijpt wat we bedoelen).

Zoals bij alle luidsprekers heeft de plaatsing ten opzichte van een muur effect op de weergave. Hoe meer vlakken in de onmiddellijke omgeving van de luidspreker, hoe krachtiger het laag. In tegenstelling tot gewone full-range luidsprekers kunt u bij de sublaaguidspreker altijd weer de juiste totaalclankbalans vinden door het volume van de sublaaguidspreker bij te regelen. Hoe meer de ruimte dus versterkt, hoe minder de sub hoeft te werken: er is echter een minpuntje. Bij plaatsing helemaal in een hoek zullen er meer resonantiefrequenties van de ruimte worden geactiveerd en zal de laagweergave onregelmatiger worden. Omdat elke ruimte anders reageert is de enige manier om veel te experimenteren met de sublaaguidspreker in verschillende posities voordat u de definitieve kiest. Hierbij is het handig om een stuk muziek te hebben met een duidelijk basloopje van laag naar hoog of omgekeerd: zo is te controleren of de laagweergave strak is door te luisteren naar noten die overdreven hard en/of zacht klinken. Met een sublaaguidspreker is het echter wel

veel eenvoudiger om de ruimteresnanties onder controle te krijgen, terwijl u tegelijkertijd de hoofd-luidsprekers op hun – voor het totaal geluidsbeeld – beste plaats neer kunt zetten.

Wilt u de ASW™2500 in een kleine ruimte inbouwen, zoals bijvoorbeeld in handgemaakte meubels, zorg dan wel voor een goede ventilatie en koeling voor de ingebouwde eindversterker. Twijfelt u over de ventilatie, vraag dan advies aan uw leverancier.

De ASW™2500 wordt geleverd met vier "spikes". Deze prikken door het tapijt en rusten op de vloer eronder. Draai eerst de klemmoeren helemaal op de spikes en draai dan de spikes geheel in de luidsprekeronderkant.

Heeft u geen tapijt en wilt u krassen op de vloer voorkomen? Gebruik dan een beschermplaatje tussen vloer en spikes of – in plaats van de spikes – de rubber voetjes. Een andere en betere mogelijkheid is om zogenaamde "pucks" (bijvoorbeeld van Transrotor) te gebruiken. Deze voorkomen zowel koppeling van luidsprekertrillingen met de vloer als beschadiging van de vloer.

Schroef eerst de klemmoeren helemaal tot aan de onderzijde van de voetjes of spikes. Schroef dan deze (voetjes of spikes) volledig in de luidspreker(onderkant). Staat de behuizing nu niet stabiel: draai dan de twee voetjes of spikes die de vloer niet raken naar buiten totdat de behuizing wel stevig staat. Fixeer daarna alle voetjes of spikes door de klemmoeren tegen de behuizing vast te draaien.

Aansluiten

Overtuig u er eerst van dat de ASW™2500 en alle andere apparaten van het systeem niet meer met het lichtnet zijn verbonden. Hierdoor bent u er zeker van dat er tijdens het loshalen en vastmaken van kabels geen enkele schade kan ontstaan.

De functie van een sublaagluidspreker is om signalen van de versterker(keten) te splitsen in een sublaag- en een restsignaal. Dit laatste wordt dan doorgestuurd naar de satellietluidsprekers. De linker en rechter ingangskanalen kunnen desnoods worden gemengd naar een mono laagsignaal voor de subluidspreker.

De sublaagluidspreker heeft in- en uitgangen met zowel line level-aansluitingen (tulp) als speakers-aansluitingen (4 mm banaanklem) op het achterpaneel.

Onderstaande tabel toont de juiste aansluitmethode voor uw installatie:

Toepassing: Home Theatre Apparatuur

De sublaagluidspreker kan worden gebruikt met elke decoder die een lijnuitgang heeft voor de "subwoofer" (meestal een tulpconnector). De meeste decoders van geïntegreerde versterkers hebben ook een aparte lijnuitgang voor "subwoofer" of "LFE".

- Decoder met een of meer sublaagluidsprekers – fig. 3

Toepassing: Stereo

Aparte voor- en eindversterkers:

- a Eén of meer sublaagluidsprekers en uitgang gecombineerd tot mono signaal: Aansluiting: fig. 4
- b Twee sublaagluidsprekers met gescheiden signaal voor links en rechts: Aansluiting: fig. 5

De ASW™2500 kan niet worden gebruikt met geïntegreerde stereoversterkers, tenzij deze een aparte voorversterkerlijnuitgang hebben ("preamp out").

Meer dan één sublaagluidspreker gebruiken

Meer dan één sub in een systeem kan de weergave op de volgende manieren verbeteren:

- De stereoscheiding blijft optimaal tot de laagste frequenties.
- Grotere luisterruimtes zijn mogelijk.
- Hogere geluidsniveaus zijn mogelijk, vaak noodzakelijk om op de juiste wijze de speciale Home Cinema effecten goed weer te geven.
- Ruimteresnanties worden minder storend hoorbaar.

Gebruikt u bij stereoweergave twee sublaagluidsprekers dan zal de kanaalscheiding verbeteren: wanneer elk kanaal een eigen sublaagluidspreker heeft én deze dichtbij de bijbehorende satellietluidspreker wordt geplaatst. Kunt u de sublaagluidsprekers niet dicht bij de satellieten zetten, gebruik dan de monouitgang (figuur 4).

Kontroleer alle aansluitingen nogmaals

KONTROLEER OF DE SPANNINGSWAARDE – ZOALS AANGEGEVEN OP HET VERSTERKERPANEEL – OVEREENKOMT MET DIE VAN DE PLAATSELIJKE LICHTNETSPANNING!

Voordat u de weergave van uw systeem gaat beluisteren en afregelen moet u nogmaals alle aansluitingen controleren. Het gebeurt namelijk maar al te vaak dat gebruikers klagen dat ze geen behoorlijk geluid krijgen ongeacht de gemaakte instelling om dan te ontdekken dat er iets verkeerd was aangesloten. Controleer dus of:

- De signaalpolariteit klopt: voor de luidspreker aansluitingen van de satellieten geldt dat de "+" op de "+" moet zijn aangesloten en de "-" op de "-". Als dit niet goed is, krijgt u een "wazig" geluid met een onduidelijke stereopositionering of weinig laag of zelfs beide tegelijk!

- De linker en rechter kanalen in het gehele systeem op dezelfde manier zijn aangesloten. In een goed Home Cinema systeem beweegt het geluidsbeeld in dezelfde richting als het beeld op het scherm. Dus als bijvoorbeeld een vliegtuig van links naar rechts vliegt, moet het geluid ook van links naar rechts bewegen. Bij een foutieve aansluiting ergens in het systeem zal het geluid dan precies andersom (van rechts naar links) bewegen.

In- en uitschakelen

We adviseren om eerst de ASW™2500 in te schakelen (met 7.) en daarna pas de andere versterkers die signalen van de sublaagluidspreker krijgen. Het omgekeerde geldt bij uitschakelen: dan moet de ASW™2500 als laatste worden uitgeschakeld.

De aan/auto/standby schakelaar (9) rechtsboven op het versterkerpaneel schakelt de versterker niet volledig van het lichtnet. Hij handhaaft een laagspanningsverbinding met een speciale sensorschakeling. De 230 V modellen hebben echter nog een extra lichtnetschakelaar (13). Wanneer de luidspreker voor een langere tijd (bijv. tijdens vakantie) niet wordt gebruikt, adviseren wij u om hem met die netschakelaar helemaal uit te schakelen.

De schakelaar (9) werkt als volgt:

On:

In deze stand blijft de versterker altijd actief en is de indicatie groen.

Auto:

Nadat u de sublaagluidspreker voor het eerst in de stand "Auto" heeft geschakeld, gaat de versterker aan en brandt boven de aan/uitschakelaar een groene indicatie (10). Als er na 5 minuten geen ingangssignaal is gedetecteerd zal de versterker automatisch in "standby" schakelen: de indicatie wordt rood. Zodra een ingangssignaal wordt "gevoeld", schakelt de versterker weer in en wordt de indicatie groen.

Standby:

In deze stand staat de versterker permanent in "standby" en zal de indicatie rood blijven.

Instellen

Er zijn de volgende 5 "knoppen":

- Volumeregelaar (VOLUME, 4)
- Frequentieregelaar voor laagfilter (LOW-PASS FREQUENCY, 5)
- Polariteitschakelaar (0°/180°) (PHASE, 6)
- Schakelaar voor laagfilter (LOW-PASS FILTER, 7)
- Schakelaar voor klankregeling (EQ, 8)

De optimale instelling van elk is afhankelijk van de andere apparatuur die met de sublaaguidspreker wordt gebruikt. Als er meer dan één sublaaguidspreker wordt gebruikt moet u van elk de schakelaars in dezelfde stand zetten.

Gebruik met andere Home Cinema decoders

De ASW 2500 is geen THX[®]-gecertificeerd produkt, maar kan desgewenst met een THX[®] controller worden gebruikt.

- Zet de VOLUME regelaar op "half" (12 uur stand, dit is een standaard THX[®] niveau).
- De stand van de LOW-PASS FREQUENCY regelaar is niet van belang.
- Zet de PHASE schakelaar op stand 0°.
- Zet de LOW-PASS FREQUENCY schakelaar op "OUT".
- Zet de EQ schakelaar op stand "A".

Lees ook de paragraaf over het "Fijn Afregelen".

Als u een THX[®]-decoder gebruikt, moet u wel de subwoofer-functie inschakelen. Op deze manier zijn de instellingen voor het filter en volume optimaal om de sublaaguidspreker in alle toepassingen te gebruiken. Voor het inregelen van de geluidsniveaus gebruikt u het interne testuissignaal en de kanaalinstellingen van de THX[®]-decoder. In alle gevallen moet u met deze testruis op de luisterpositie een geluiddruk van 75 dB SPL (C) instellen.

Gebruikt u andere decoders, stel dan voor de voor- en surroundluidsprekers eerst de juiste grootte in ("large" of "small"), vóórdat u de niveaus afregelt. Gebruik het testuissignaal en volumeregeling van de decoder om alle luidsprekers af te regelen. Gebruik de VOLUME regeling van de sublaaguidspreker uitsluitend wanneer u via de decoder geen goede instelling kunt bereiken.

Bij elektronikawinkels zijn betaalbare geluidsdrukmeters te koop die u nodig heeft om de geluidsniveaus in te stellen.

Gebruik in een stereosysteem

- Zet de VOLUME regelaar op "half" (12 uur stand, dit is een standaard THX[®] niveau).
- Zet de LOW-PASS FREQUENCY regelaar op 80 Hz.
- Zet de LOW-PASS FREQUENCY schakelaar op "IN".
- Zet de EQ schakelaar op stand "B".
- Zet de PHASE schakelaar op stand 0°.

Lees ook de paragraaf over het "Fijn Afregelen".

Het Fijn Afregelen

De EQ schakelaar heeft twee standen. Stand "A" is bedoeld voor optimale laagweergave op de hoogste geluidsniveaus, terwijl stand "B" een dieper laag met een strakker geluid geeft.

Stereo

De optimale instellingen van de PHASE schakelaar en de LOW-PASS FILTERFREQUENTIE zijn afhankelijk van elkaar, de laagweergave van de satellietluidsprekers en de onderlinge plaatsing van alle luidspreker in de ruimte.

Plaats het systeem in de gewenste opstelling en geef muziek weer met een redelijk constante hoeveelheid laag. De optimale instelling voor de LOW-PASS FREQUENCY hangt van verschillende variabelen af. Zoals de laagweergave en belastbaarheid van de satellietluidsprekers, het aantal sublaaguidsprekers en hun positie ten opzichte van de satellietluidsprekers. Het gebied tussen 80 en 90 Hz is een goed uitgangspunt voor de LOW-PASS frequentie. Een hogere frequentie zal het stereobeeld negatief beïnvloeden, tenzij u – voor een volledige kanaalscheiding- twee sublaaguidsprekers gebruikt dichtbij de satellietluidsprekers. Gebruik de hogere waarde daarom alleen als de laagweergave van de satellietluidsprekers behoorlijk beperkt is.

Beluister bij elke frequentie-instelling het effect van de phase-schakelaar in beide posities. De juiste stand is die welke het meest volle laag geeft. Welke dat is hangt af van de laagweergave van de satellietluidsprekers en de relatieve afstand tussen luisteraar en sublaaguidsprekers plus satellietluidsprekers. Gebruikt u meer dan één sublaaguidspreker zorg er dan wel voor dat de ingestelde low-pass frequentie en phase voor elk gelijk is.

Want een instelling die bij een bepaald stuk indrukwekkend klinkt, kan bij een ander stuk teveel van het goede zijn. Luister vooral ook op normale geluidsniveaus, omdat de klankbalansperceptie sterk afhankelijk is van het niveau.

Home Cinema

Bij Home Cinema is de situatie iets anders. Het sublaag-signaal (LFE) is hier een apart kanaal in plaats van een uitbreiding van het satellietluidsprekersignaal. Het LOW-PASS filter staat "OUT" omdat de decoder nu zorgt voor de juiste filters die horen bij een "small" luidsprekerinstelling. De stand van de phase schakelaar kan echter wel belangrijk zijn, normaliter is deze "0°". Staat de sublaaguidspreker echter op een behoorlijke afstand van de andere luidsprekers of verandert de versterker van de andere luidsprekers de polariteit dan kan "180°" een beter resultaat geven. Luister daarom met de schakelaar in beide posities en kies de stand met het "volste" laag. Is er echter geen verschil hoorbaar, laat de schakelaar dan in de "0°" stand.

Decoders hebben gewoonlijk een eigen gekalibreerd testuissignaal dat u kunt gebruiken om de onderlinge niveaus van de luidsprekers in te stellen. Dit maakt het inregelen eenvoudiger dan bij een stereosysteem. Wees echter niet bang om de instellingen naar eigen smaak aan te passen. Het is namelijk erg eenvoudig om in de verleiding te komen om – dankzij de kwaliteiten van de sublaaguidspreker – iets meer nadruk op het laag te leggen dan goed kan zijn. Met name bij sommige laagfrequente effecten! Het geeft echter op de lange duur een meer realistisch – en tevredenstellend – resultaat wanneer u de sublaaguidspreker iets zachter zet dan het standaard kalibratieniveau aangeeft.

Alle toepassingen

Als u een ongelijkmatige laagweergave hoort, heeft u waarschijnlijk last van interferentie door staande golven in de luister ruimte. De oplossing is om dan de ASW[™]2500 op een iets andere plaats te zetten: zelfs kleine verschuivingen van zo'n 15 cm hebben al grote invloed op het geluid. Heeft u een aantal verschillende posities geprobeerd en blijft het probleem, probeer dan om de ASW[™]2500 hoger boven de vloer te zetten of hem zijwaarts te verschuiven. Door meer dan één sublaaguidsprekers te gebruiken kunt u het effect van de resonanties sterk beperken omdat elke sublaaguidspreker resonanties op verschillende frequenties activeert. Als u de ASW[™]2500 en de satellietluidsprekers aanzienlijk dichtbij of verder van de luisteraar heeft geplaatst, is het mogelijk dat u de phase-schakelaar opnieuw moet instellen. Controleer dan ook weer het volume van de sublaaguidspreker (ofwel via de decoder-uitgangen ofwel met de volume regelaar op de sub zelf), maar pas nadat de phase goed is ingesteld.

Onderhoud

De behuizing hoeft normaliter alleen te worden afgestoft met een droge doek. De behuizing kan worden behandeld als elk ander meubelstuk. Als u de grille wilt schoonmaken, haal deze eerst van de luidspreker. Trek hem voorzichtig aan de randen naar voren. Het materiaal kan dan met een normale kledingborstel of iets dergelijks worden schoongemaakt. Als u een schoonmaakmiddel in spuitbus gebruikt, spuit dit middel dan eerst op een doek op een afstandje van de luidsprekervoorkant en eenheid en van de grille in het bijzonder. Raakt u s.v.p. de luidsprekereenheid niet aan omdat anders onherstelbare schade kan ontstaan.

Gebruik de ASW[™]2500 sublaaguidspreker niet als tafel. Voorwerpen er bovenop zullen rammelen en de geluidskwaliteit verminderen. Vooral vloeistoffen (uit glazen en vazen) zijn gevaarlijk voor de ingebouwde versterker van de ASW[™]2500: houd ze dan ook bij de luidspreker weg.

Als u de luidspreker langere tijd niet gebruikt, haal dan de netstekker uit de wandcontactdoos.

DANSK

ADVARSEL:

BEMÆRK: produktet er i 120V versionen forsynet med fasevendt-netstik. For at undgå elektrisk stød, skal netstikket sættes helt ind i stikkontakten.

For at forhindre brand eller evt. elektrisk kortslutning bør udstyret ikke udsættes for regn eller høj fugtighed.

Bemærk hvis udstyret selv giver advarselssignal.

For at undgå elektrisk stød bør du ikke åbne kassen eller fjerne forstærkerdelen fra bagsiden. Der forefindes ingen muligheder for justering inde i subwooferen. Henret venligst alle spørgsmål vedrørende teknisk service eller reparation til HiFi-Klubben.

Hvis du anvender forlængerledning eller lignende, bør det sikres at stikkene er helt sammenkoblede.

Vær opmærksom på at spændingstallet på forstærkerpanelet er det samme som på strømforsyningen, hvis ikke kontakt da HiFi-Klubben. Prøv ikke på at indstille spændingsvælgeren.

Sikringsholderen befinder sig på bagsiden af forstærkermodulet. Hvis sikringen udskiftes skal den være af samme type og have samme værdi.

Subwooferen skal ikke forbindes til jord.

Sørg for at produktet har god ventilation. Forhindre ikke luft i at kunne cirkulere omkring forstærkerdelen og dennes køleribbe. Placer ikke produktet i et lukket rack eller lignende, medmindre der er god ventilation ved produktets bagside.

Sikre dig at der ikke er kabler af nogen type under gulvtæppet, som kan skades af de spikes der sidder under subwooferen.

Vrik ikke frem og tilbage med subwooferen på dennes spikes, da de således kan rykkes løs og evt. ødelægge kabinetet.

Pas på ikke at placere dine fødder under subwooferens spikes.

Introduktion

Tillykke med din nye højttaler, og tak for at du valgte B&W ASW™2500 aktiv subwoofer.

Siden vores grundlæggelse i 1966, har filosofien bag B&W været klar – Vi ønsker at opnå den perfekte lydgenngivelse. Inspireret af firmaets grundlægger, den afdøde John Bowers, har denne filosofi ikke kun medført store investeringer og nyskabelser indenfor lydteknikken, men også en blivende kærlighed og forståelse for musik, samt krav der sikrer at teknologien er på sit højeste når det drejer sig om filmlyd.

ASW™2500 er designet til brug i hjemmebiografer og til at forøge basydelsen i stereohøjttalere ved almindelig 2-kanals stereo.

Ved at tilføje denne subwoofer til dit system, opnår du ikke blot en betydelig dybere basgenngivelse, men forbedre samtidig mellemløbet, da kravet til stereohøjttalerne om at gengive lavfrekvente signaler mindskes.

Læs venligst denne manual før du anvender subwooferen. Alle HiFi opsætninger kræver planlægning og eksperimentering, hvis du vil have det fulde udbytte af dit produkt, og denne manual vil hjælpe dig i denne proces.

Da subwooferen indeholder elektronik og herfor er tilsluttet spænding, er det vigtigt, at du er bekendt med sikkerhedsinstruktionen og følger denne.

Opbevar denne manual et sikkert sted i tilfælde af at du skulle få brug for den senere.

B&W højttalere bliver solgt i mere end 60 lande verden over og vi opretholder et internationalt netværk af nøje udvalgte og dedikerede forhandlere. Hvis du mod forventning har et problem med dit B&W produkt kontakt da din nærmeste forhandler.

Oppakning

(figur 1)

Udpakning af subwooferen gøres lettest på følgende måde:

- Buk papflapperne tilbage og vend kassen med indhold på hovedet.
- Løft kassen op og væk fra produktet.

Vi anbefaler at du beholder kassen for fremtidig brug.

Foruden denne manual skulle kassen gerne indeholde:

- 1 subwoofer
- 1 pose med tilbehør, indeholdende:
 - 4 gummi-fødder
 - 4 spikes
 - 4 låsemøtrikker
- 1 internationalt garantibevis

Rundt om subwooferen

(figur 2)

- 1 Liniesignal ud ved sammenkobling
- 2 Liniesignal ud
- 3 Liniesignal ind
- 4 Volume kontrol
- 5 Lav-pas frekvens kontrol
- 6 Fase ændring
- 7 Afbryder kontakt for lav-pas filter
- 8 Equalisation kontakt
- 9 Tænd/auto/standby kontakt
- 10 Tændt/standby indikator

- 11 Ventilations huller
- 12 Strømtilslutning
- 13 Spændingsvælger (kun 230V version)
- 14 Sikringsholder

Anbringelse af subwooferen

I og med at subwooferen kun gengiver lavfrekvent lyd, vil den ofte være lettere at placere end en traditionel højttaler. Delen af retningsbestemte signaler er mindre, hvilket giver dig større mulighed for at placere subwooferen på et ønsket sted og stadig opnå et godt resultat. Når dette er sagt, skal det dog tilføjes, at det bedste resultat opnåes når subwooferen placeres imellem de mindre højttalere eller i nærheden af en af disse. Hvis du anvender to subwoofers opnåes det bedste resultat ved at anbringe én subwoofer nær hver højttaler.

Placering af subwooferen bag lytteren, selv i et surround sound system, giver generelt et dårligere perspektiv, men er ofte et acceptabelt kompromis hvis ikke andet er muligt.

Det gælder for alle højttalere at afstanden mellem et rums vægge påvirker lyden. Mængden af bas bliver normalt forstærket når omkringstående flader kommer tættere på højttaleren. I modsætning til almindelige højttalere er det ved denne subwoofer muligt altid at have den korrekte mængde af bas, i dit system, idet du kan justere styrken fra subwooferen. Jo større forstærkning dit rum giver dig jo mindre er subwooferen nødt til at arbejde, men der er dog en ulempe. Hjørnepositioner giver ofte en større lavfrekvent rumresonans, hvilket giver en uensartet frekvens i basområdet. Der er på sin vis ikke andet at gøre end at forsøge sig frem, idet alle rum opfører sig forskelligt, så derfor prøv en række forskellige opstillinger inden du tager den endelige beslutning. Et stykke musik hvor basfrekvensen enten falder eller stiger er et godt værktøj når du ønsker at finde en flydende bas genklang. Lyt efter overdrevne eller lave frekvensperioder. Det at du har en separat subwoofer gør dig i stand til at optimere dit system og opnå en lavere eller ensartet rumresonans uden at flytte på satellithøjttalerne, og således opretholde det rigtige perspektiv.

Hvis subwooferen anbringes i et lukket møbel, skal der stadig være ventilation, som tillader at luften stadig kan cirkulere og afkøle subwooferen. Hvis du er i tvivl så spørg din forhandler.

Med subwooferen følger fire spikes. Disse spikes går let gennem tæppe og andet blødere underlag, og giver således subwooferen en god kontakt med det solide gulv.

Hvis højttaleren anbringes på et underlag der ikke ønskes mærket, fx trægulv, benyt da enten beskyttelses-skiver under de fire spikes eller anvend de fire gummi-fødder istedet for spikes.

Når du tager spikesene i brug, bør du først skruer møtrikkerne helt ind på spikesene og herefter skruer spikesene helt ind i gevindene i bunden af kabinettet. Hvis højttaleren vipper, løsnes da de to modstående relevante spikes indtil højttaleren står stabilt, stram herefter møtrikkerne til.

Elektrisk tilslutning

Frakobel alt HiFi-udstyr fra 220V nettet og tilslut herefter subwooferen. Dette sikrer mod evt. skader på udstyret som måtte forekomme under tilslutningen.

Subwooferens funktion er at modtage signaler fra forstærkeren og, hvor det er nødvendigt, at splitte signalet op i dybbas og højere frekvenser som ledes ud til satellit højttalerne. Venstre og højre liniesignal kan, hvis nødvendigt, køres sammen til et enkelt mono-liniesignal til subwooferen.

Subwooferen kan modtage og afgive både liniesignal, via RCA Phono bøsningerne, og højttalersignal via skrueterminaler.

Brug den nedenstående tabel til at vælge den rette forbindelsesmetode:

Hjemme Biograf

Subwooferen kan benyttes med alle dekodere der har et linie-reguleret subwoofer udtag (som regl via RCA phono stik). De fleste dekodere med indbygget forstærker, sender subwoofer-signalet eller de lav-frekvente effekter (LFE) ud som et reguleret liniesignal.

- Dekodere med een eller flere subwoofere – fig. 3

Anvendelse: 2-kanals stereo

Separate for- og effektforstærkere:

- En eller flere subwoofere som skal afgive mono signal: se fig. 4
- To subwoofere med hver deres højre/venstre signal: se fig. 5

ASW™2500 er ikke beregnet forbrug sammen med 2-kanals integrerede for/effekt forstærkere, medmindre de er udstyret med et linie-reguleret udtag fra forforstærkeren.

Ved brug af mere end en subwoofer

Brug af mere end en subwoofer i et system kan forbedre systemets præstation på følgende punkter:

- Bibeholde stereo separationen ned i de laveste frekvenser.
- Spille større rum op.
- Give et højere lydtryk, hvilket giver en bedre virkningsgrad ved afspilning af special effekter i hjemme biograf systemer.
- Udglatte lavfrekvens rumresonanser.

Hvis du benytter to subwoofere til 2-kanals stereo, vil stereo separationen blive forbedret, hvis hver kanal har sin egen subwoofer, forudsat at disse placeres tæt på den relevante satellit højttaler. Benyt kun mono tilslutningen vist i figur 4, hvis de to subwoofere ikke kan placeres tæt på deres satellit højttaler.

Tjek alle alle forbindelser en ekstra gang

VÆR SIKKER PÅ AT NETSPÆNDINGEN ANGIVET PÅ FORSTÆRKEREN SVARER TIL LYSNETTETS NETSPÆNDING.

Før du begynder at lytte til lyd kvaliteten i dit nye system og fin-indstille det, bør alle forbindelser tjekkes en ekstra gang. Alt for ofte sker det, at brugere beklager sig over, at de ikke kan opnå en tilfredsstillende lyd – ligegyldigt hvordan de indstiller knapperne, hvorefter de opdager, at et eller andet er blevet forkert forbundet. Sikre dig:

- At systemet spiller i fase – ingen positiv til negativ forbindelse til satellit højttalerne må forekomme. Hvis systemet spiller i modfase, vil gengivelsen opleves sløret med et svingende og upræcist perspektiv, en ringe bas eller en kombination af begge dele.
- At der ikke er byttet om på højre og venstre signal – det kan fx resultere i, at et orkester står modsat af virkeligheden, eller endnu værre, at lyde i din hjemmebiograf bevæger sig modsat af handlingen på tv-skærmen.

Tænd og sluk

Vi anbefaler at subwooferen tændes før effektforstærkeren der får signal fra denne. Når der slukkes, sluk da subwooferen til sidst.

Tænd/sluk/standby kontakten (9), øverst til højre på forstærkerpanelet, frakobler ikke forstærkeren helt fra strømforsyningen. Der vil stadig være et svagt strømforbrug til et signal-føler kredsløb. 230V versionen af produktet har en ekstra kontakt (13) der helt frakobler strømforsyningen. For helt at frakoble andre versioner, kan der enten slukkes på vægkontakten eller netledningen kan tages ud. Vi anbefaler at strømmen helt frakobles, hvis subwooferen ikke skal benyttes i en længere periode.

Kontakten (9) betjenes som følgende:

On:

Med knappen i denne position, vil forstærkeren være fuld aktiv hele tiden og lampen lyse grønt.

Auto:

Idet kontakten stilles på Auto, vil forstærkeren tændes og lampen (10) over tænd/sluk/standby kontakten vil lyse grønt. Efter en periode på cirka 5 minutter uden signal, går forstærkeren automatisk i standby funktion og lampen lyser rødt. Når et signal registreres vil forstærkeren automatisk blive fuld aktiv og lampen lyse grønt.

Standby:

I denne stilling er forstærkeren konstant i standby og lampen lyser rødt.

Indstilling af kontakterne

Der er 5 kontakter som skal indstilles:

- VOLUME kontrollen (4)
- LAV-PAS FREKVENNS kontrollen (5)
- Kontakten for FASE ændring (6)
- Afbryder kontakten for LAV-PAS FILTER (7)
- Kontakten for EQUALISATION (8)

Den optimale indstilling kommer an på det andet udstyr der anvendes sammen med subwooferen. Hvis der bruges mere end én subwoofer, skal indstillingerne være justeret éns.

Anvendelse sammen med THX® processorer (incl. THX® processorer, hvor THX® funktionen er slået fra)

ASW™2500 er ikke et THX® godkendt produkt, men kan bruges sammen med en THX® dekodeur hvis det ønskes.

- Sæt VOLUME kontrollen på halv styrke (klokken 12 på et ur).
- Indstillingen af LAV-PAS FREKVENNS kontrollen er irrelevant.
- Sæt kontakten for FASE ændring på 0°.
- Sæt afbryder kontakten for LAV-PAS FILTER på OUT.
- Sæt kontakten for EQUALISATION på position A.

Se også afsnittet "Fin indstilling".

Hvis du har en THX® dekodeur, skal du sikre dig, at subwoofer funktionen er aktiveret. Herefter vil al filtrering og styrke regulering der er nødvendig foregå via dekodeuren. Ved kalibrering af lydstyrken benyttes THX® dekodeurens test-tone og muligheder for styrke regulering. Ved brug af test-tonen, bør man i lyttepositionen modtage et lyd niveau på 75dB fra alle højttalerne.

Ved brug med andre dekodere, skal front- og baghøjttalere indstilles til "large" (stor) eller "small" (lille) inden lydstyrken indstilles. Benyt test-tonen og dekodeurens volume kontroller til at indstille alle højttalere. Der skal kun ændres på subwooferens VOLUME kontrol, hvis dekodeuren ikke er istand til at opnå det ønskede niveau.

Man kan mange steder købe billige lydtrykmålere, som vi anbefaler dig at bruge i forbindelse med opsætningen og kalibreringen af niveauerne.

Ved 2-kanals stereo brug

- Sæt VOLUME kontrollen på halv styrke (klokken 12 på et ur).
- Sæt LAV-PAS FREKVENNS kontrollen på 80Hz til at begynde med.
- Sæt afbryder kontakten for LAV-PAS FILTER på IN.
- Sæt kontakten for EQUALISATION på position B til at begynde med.

- Sæt kontakten for FASE ændring på 0° til at begynde med.

Se også afsnittet "Fin indstilling".

Fin indstilling

Der er to indstillingsmuligheder for kontakten. Position A er optimeret til, at subwooferen yder det højeste lydtryk, mens position B giver en mere stram og præcis lydgenngivelse.

2-kanals stereo

Den optimale indstilling af FASE ændring kontakten og LAV-PAS FREKVENS kontrollen, som er indbyrdes afhængige, er afhængig af, hvor satellit højttalerne begynder at "rulle" af i bassen og hvordan alle højttalerne står placeret i forhold til hinanden.

Placer systemet i den foretrukne position og spil noget musik med en rolig og regelmæssig basgenngivelse. Den optimale indstilling af LAV-PAS FREKVENS kontrollen afhænger af flere ting: satellit højttalernes bas og styrke formåen, antallet af subwoofere og deres placering i forhold til satellit højttalerne. Et niveau på 80 – 90Hz er et godt udgangspunkt. Medmindre der benyttes to subwoofere, som er placeret tæt på satellit højttalerne, for at bevare separat højre og venstre kanal information, kan det være en ulempe at benytte en højere delefrekvens, da det kan ødelægge stereoperspektivet. Det bør derfor kun overvejes, hvis basgenngivelsen i satellit højttalerne er meget begrænset.

Ved hver indstilling af lav-pas frekvensen (cut off frequency) bør man lytte med fase-knappen i begge positioner. Den rigtige position af fase-knappen er den, hvor bassen er mest fyldig. Dette afhænger af placeringen og samspillet med satellitterne. Når der bruges mere en én subwoofer skal indstillingerne være ens på begge.

Indstil subwooferens niveau i forhold til satellitterne efter din smag. Brug forskelligt lyd-materiale for at opnå en gennemsnits indstilling. Den indstilling, der lyder imponerende på ét musikstykke kan lyde for "vild" på et andet stykke. Lyt ved et normalt/realistisk lydniveau da opfattelsen af balance ændrer sig i takt med volumen.

Hjemmebiograf

Situationen med hjemmebiograf er noget anderledes i forhold til 2-kanals stereo. Subwoofer signalet (LFE) er et separat signal, istedet for en del af signalet fra de to satellit højttalere. LAV-PAS fillret er slået fra, da dekodere søger for al filtrering til højttalere indstillet til "small". Fase positionen skal dog stadig indstilles. Normalt skal fase kontakten stå på 0°, men hvis subwooferen er placeret i en afstand langt fra de andre højttalere, eller hvis forstærkeren der trækker de andre højttalere vender signalet, kan 180° positionen være at foretrække. Prøv at lytte med kontakten i begge positioner og vælg så den hvor lyden er fyldigst (mest bas). Hvis der ikke umiddelbart er nogen forskel indstilles kontakten på 0°.

Dekodere er normalt udstyret med et test-tone signal som kan bruges ved indstilling af lydstyrken på alle højttalere. Alligevel skal du ikke være bange for, at lave din egen personlige indstilling. Det er let at blive revet med af subwooferens muligheder, især ved special lav-frekvente effekter. Ofte giver det dog et mere realistisk og tilfredsstillende resultat i det lange løb, hvis subwooferens niveau sænkes en smule i forhold til test-tonens standard.

Ved brug til alle formål

Hvis der opstår problemer med rumlende eller overdreven bas skyldes det sandsynligvis, at rummet "spiller" med. I dette tilfælde må man forsøge sig med andre placeringer af subwooferen. En lille ændring i placeringen (15 cm) kan have kolossale lyd-mæssige ændringer. Prøv eventuelt også at hæve subwooferen fra gulvet ud over at flytte den horisontalt. Brug af flere subwoofere kan jævne effekten af rum-ressonanser, da hver subwoofer påvirker resonanser i forskellige frekvenser. Hvis du ændrer den indbyrdes afstand mellem subwoofer og satellitter efter lytterens smag/møbleringsmuligheder, så skal fase-knappen genindstilles. Man bør også tjekke subwooferens volume (indstilles på processoren) men først efter at have indstillet fase korrekt.

Vedligeholdelse af subwooferen

Kabinettet kan renses ved af støve af med en tør klud. Hvis det ønskes kan man bruge en venlig spray-rens, men spray da på kluden i stedet for kabinettet. Fjern først frontstoffet, så kluden ikke bliver uren, men pas på ikke at røre bas-enheden. Frontstoffet kan renses med en blød børste.

Brug ikke subwooferen som bord. Ting, der står på subwooferen vil rasle under subwoofer-drift. Pas især på ikke at spilde væsker på subwooferen.

Hvis du ikke skal bruge subwooferen i en længere periode, er det en god idé at hive stikket ud at stikkontakten.

ΕΛΛΗΝΙΚΑ

ΠΡΟΣΟΧΗ:

ΠΡΟΣΟΧΗ: Το καλώδιο ρεύματος των μοντέλων που λειτουργούν με τάση ρεύματος 120V έχει φιν με γείωση. Για να αποφύγετε τον κίνδυνο ηλεκτροπληξίας, τοποθετήστε καλά τον πλατύ ακροδέκτη του φιν στην πλατεία υποδοχή της πρίζας (σημ. τα μοντέλα που είναι κατασκευασμένα για την ελληνική αγορά λειτουργούν με τάση 220 V και έχουν το απλό διπολικό φιν).

Όταν θα βάζετε το φιν στην πρίζα, φροντίστε να εισχωρήσει πλήρως και να μην εξέλθουν οι ακροδέκτες.

Για να αποφύγετε το ενδεχόμενο φωτιάς ή ηλεκτροπληξίας, μην εκθέτετε την συσκευή αυτή σε βροχή ή υγρασία.

Διαβάστε και τηρήστε όλες τις οδηγίες ασφαλείας που αναγράφονται επάνω στη συσκευή.

Για να αποφύγετε τον κίνδυνο ηλεκτροπληξίας, μην ανοίξετε το κάλυμμα της συσκευής και μην αφαιρέσετε τον ενισχυτή από την πίσω πλευρά. Δεν υπάρχουν στο εσωτερικό μέρη που μπορούν να επισκευαστούν από το χρήστη. Για οποιαδήποτε απορία σας σχετικά με τη χρήση της συσκευής ή για ενδεχόμενη επισκευή, απευθυνθείτε στην αντιπροσωπεία της B&W.

Βεβαιωθείτε ότι η τάση λειτουργίας της συσκευής που αναφέρεται στην πίσω πλευρά της, είναι ίδια με αυτή της πρίζας στην οποία θα τη συνδέσετε.

Η υποδοχή της ασφάλειας βρίσκεται στην πίσω πλευρά του ενισχυτή. Αν χρειαστεί να αλλάξετε την ασφάλεια, χρησιμοποιήστε μία ίδιου τύπου και χαρακτηριστικών.

Η συσκευή αυτή δεν χρειάζεται γείωση.

Φροντίστε η συσκευή να αερίζεται επαρκώς και να μην εμποδίζεται η κυκλοφορία του αέρα, κυρίως στην πίσω πλευρά της όπου υπάρχει ο ενισχυτής. Μην καλύψετε τα ανοίγματα εξαερισμού της πίσω πλευράς. Μην τοποθετείτε τη συσκευή σε βάσεις (racks), κλειστά έπιπλα ή ράφια, παρά μόνο αν ο χώρος πίσω από αυτή είναι αρκετός ώστε να γίνεται καλή κυκλοφορία του αέρα.

Φροντίστε ώστε κάτω από το χαλί να μην υπάρχουν καλώδια που μπορεί να πάθουν ζημιά από τις ακίδες σταθεροποίησης της συσκευής.

Μην σέρνετε το ηχείο επάνω στις ακίδες, γιατί υπάρχει ενδεχόμενο να σπάσουν και να προκληθεί ζημιά στο ηχείο.

Κρατήστε τα πόδια σας μακριά από τις ακίδες.

Εισαγωγή

Σας ευχαριστούμε που αγοράσατε το ενεργό subwoofer ASW™2500 της B&W.

Από την ίδρυση της το 1966, η φιλοσοφία της B&W δεν έπαψε ποτέ να είναι η αναζήτηση της αναπαραγωγής του τέλειου ήχου. Εμπνευσμένη από τον ιδρυτή της John Bowers, η αναζήτηση αυτή δεν οδήγησε μόνο σε μεγάλες επενδύσεις και καινοτομίες στο χώρο της τεχνολογίας αναπαραγωγής του ήχου αλλά και στο σεβασμό προς την ίδια τη μουσική, γεγονός που εξασφαλίζει ότι η χρήση της τεχνολογίας θα δώσει το καλύτερο δυνατό αποτέλεσμα.

Το ASW™2500 έχει σχεδιαστεί για συστήματα home theatre αλλά και για να ενισχύσει την απόδοση των μπάσων σε απλά στερεοφωνικά συγκροτήματα που χρησιμοποιούν ηχεία πλήρους εύρους συχνότητων. Προσθέτοντας ένα subwoofer στο σύστημά σας, δεν αυξάνετε μόνο τη δυνατότητά του να αναπαράγει τα μπάσα, αλλά βελτιώνετε και τη διαύγεια των μεσαίων συχνότητων, αποδεδειγμένα τα ηχεία σας από την απαίτηση να αποδώσουν τις πολύ χαμηλές συχνότητες.

Παρακαλούμε, πριν εγκαταστήσετε και θέσετε σε λειτουργία το subwoofer, διαβάστε προσεκτικά τις οδηγίες χρήσης. Όλες οι ηχητικές εγκαταστάσεις απαιτούν κάποιο σχεδιασμό και κάποιες δοκιμές προκειμένου να έχετε την καλύτερη δυνατή απόδοση από το σύστημά σας. Το φυλλάδιο αυτό θα σας χρησιμεύσει ως οδηγός στη διαδικασία αυτή.

Το ASW™2500 συνδέεται με την παροχή ρεύματος, γεγονός που σημαίνει ότι υπάρχει υψηλή τάση στο εσωτερικό του. Για το λόγο αυτό θα πρέπει να προσέξετε όλες τις οδηγίες που σχετίζονται με την ασφάλειά σας και να λάβετε τις σχετικές προφυλάξεις.

Κρατήστε το φυλλάδιο με τις οδηγίες για ενδεχόμενη μελλοντική χρήση.

Η B&W διαθέτει τα προϊόντα της σε περισσότερες από 60 χώρες σε όλο τον κόσμο, μέσω ενός δικτύου επίσημων αντιπροσώπων οι οποίοι είναι σε θέση να σας βοηθήσουν να λύσετε όλα τα προβλήματα που ενδεχομένως θα συναντήσετε.

Αποσυσκευασία

(Εικόνα 1)

Ο πιο εύκολος τρόπος να αποσυσκευάσετε το ηχείο αποφεύγοντας οποιαδήποτε ζημιά είναι ο εξής:

- Ανοίξτε το κιβώτιο και γυρίστε το ανάποδα.
- Σηκώστε το και αφαιρέστε το, αφήνοντας το περιεχόμενο κάτω.

Καλό είναι να κρατήσετε τη συσκευασία για πιθανή χρήση στο μέλλον.

Στη συσκευασία, εκτός από τις οδηγίες χρήσης περιλαμβάνονται:

1 Subwoofer

1 Πακέτο με αξεσουάρ που περιέχει:

4 Λαστιχένια πέλματα

4 Πέλματα-ακίδες

4 Παξιμάδια ασφάλισης

1 Έντυπο με τους όρους της διεθνούς εγγύησης της συσκευής

Περιγραφή του subwoofer

(Εικόνα 2)

1 Υποδοχές LINK OUT

2 Υποδοχές LINE OUT

3 Υποδοχές LINE IN

4 Ρυθμιστικό έντασης (VOLUME) (είσοδος line)

5 Ρυθμιστικό ΣΥΧΝΟΤΗΤΑΣ LOW-PASS

6 Διακόπτης φάσης PHASE

7 Διακόπτης απενεργοποίησης ΦΙΛΤΡΟΥ LOW-PASS

8 Διακόπτης ισοστάθμισης (EQ)

9 Διακόπτης ενεργοποίησης, αναμονής λειτουργίας, αυτόματης ανίχνευσης σήματος

10 Φωτεινή ένδειξη λειτουργίας / αναμονής λειτουργίας

11 Ανοίγματα εξαερισμού

12 Υποδοχή παροχής ρεύματος

13 Διακόπτης αποκοπής τροφοδοσίας (μόνο στα μοντέλα που λειτουργούν με τάση 230V)

14 Ασφάλεια

Τοποθέτηση

Για το λόγο ότι το subwoofer αναπαράγει μόνο χαμηλές συχνότητες (μπάσα), το σημείο που θα τοποθετηθεί δεν έχει τόσο μεγάλη σημασία σε σύγκριση με τα κανονικά ηχεία. Η κατεύθυνση προς την οποία θα πρέπει να είναι στραμμένο δεν είναι τόσο συγκεκριμένη, και οι επιλογές που έχετε είναι πολύ περισσότερες. Γενικά πάντως, το καλύτερο ηχητικό αποτέλεσμα επιτυγχάνεται τοποθετώντας το subwoofer μεταξύ των ηχείων-δορυφόρων ή κοντά σε ένα από αυτά. Εάν χρησιμοποιείτε δύο subwoofers, το καλύτερο είναι να τοποθετήσετε από ένα κοντά σε κάθε δορυφόρο.

Η τοποθέτηση του subwoofer πίσω από τους ακροατές δίνει γενικά κατώτερη ηχητική εικόνα – ακόμη και σε συστήματα surround. Πάντως, εάν η διάταξη του χώρου επιβάλλει κάτι τέτοιο, η θέση αυτή είναι αποδεκτή.

Όπως συμβαίνει και με όλα τα ηχεία, η απόδοση του subwoofer επηρεάζεται από το πόσο κοντά του είναι τα αντικείμενα που υπάρχουν στο χώρο ακρόασης. Γενικά, οι χαμηλές συχνότητες (μπάσα) εντείνονται εάν υπάρχουν πολλές επιφάνειες κοντά στο ηχείο. Όμως, αντίθετα με ό,τι συμβαίνει με τα κανονικά ηχεία, μπορείτε ανά πάσα στιγμή να διορθώσετε την τονική ισορροπία (balance) του συστήματος, ρυθμίζοντας απλά την ένταση του subwoofer. Όσο περισσότερο τονίζονται οι χαμηλές λόγω της διάταξης του χώρου, τόσο μικρότερη “προσπάθεια” πρέπει να καταβάλλει το ηχείο. Υπάρχει όμως και ένα μειονέκτημα: οι γωνιακές θέσεις εντείνουν περισσότερο τις χαμηλές αντηχήσεις του χώρου, με αποτέλεσμα τα μπάσα να αποδίδονται άνια σε σχέση με τις υπόλοιπες συχνότητες. Για το λόγο αυτό και επειδή κάθε χώρος έχει διαφορετική ηχητική συμπεριφορά, ο καλύτερος τρόπος για να επιτύχετε το βέλτιστο αποτέλεσμα είναι, πριν καταλήξετε, να δοκιμάσετε διάφορα σημεία τοποθέτησης του ηχείου. Καλό θα ήταν, όταν κάνετε τις δοκιμές να βάλετε να ακούγεται ένα μουσικό κομμάτι τα μπάσα του οποίου να κινούνται σε όλο το εύρος της περιοχής των χαμηλών συχνότητων, ούτως ώστε να μπορέσετε να εκτιμήσετε πλήρως το πόσο ομαλή είναι η απόκριση των χαμηλών. Ακούστε προσεκτικά τις έντονες και τις σιγανές νότες. Η ύπαρξη ενός ξεχωριστού subwoofer σας δίνει τη δυνατότητα να ελέγξετε καλύτερα τις αντηχήσεις του χώρου.

Εάν τοποθετήσετε το subwoofer σε κάποιο κλειστό χώρο (π.χ. σε κάποιο ράφι ή ειδικό έπιπλο), θα πρέπει φροντίσετε ώστε ο χώρος αυτός να επιτρέπει την επαρκή κυκλοφορία του αέρα για να ψύχεται το ηχείο. Συμβουλευτείτε σχετικά τον προμηθευτή σας.

Στη συσκευασία θα βρείτε τέσσερις ακίδες στήριξης. Οι ακίδες περνούν στο εσωτερικό της πλέξης του χαλιού (χωρίς να το διαπερνούν) και στηρίζουν καλά το ηχείο, κατ' ευθείαν στην επιφάνεια του πατώματος.

Αν τοποθετήσετε το ηχείο σε μία ευαίσθητη επιφάνεια, όπως ένα ξύλινο πάτωμα, μπορείτε να τοποθετήσετε ένα προστατευτικό δίσκο κάτω από κάθε ακίδα ή να τοποθετήσετε τα τέσσερα λαστιχένια πέλματα αντί για τις ακίδες.

Πριν τοποθετήσετε τις ακίδες ή τα λαστιχένια πέλματα, βιδώστε πλήρως σε αυτές τα παξιμάδια ασφαλείας και κατόπιν βιδώστε πλήρως τις ακίδες στις υποδοχές που υπάρχουν στη βάση της καμπίνας. Εάν το πάτωμα παρουσιάζει κάποια ανωμαλία και το ηχείο δεν είναι σταθερό, ξεβιδώστε τις ακίδες των δύο διαγώνιων ποδιών που δεν εφάπτονται καλά, τόσο ώστε να σταθεροποιηθεί το ηχείο, και μετά βιδώστε πάλι τα παξιμάδια στις υποδοχές.

Συνδέσεις

Για να αποκλείσετε το ενδεχόμενο να προκληθεί ζημιά, βγάλτε όλες τις συσκευές του συστήματος από την πρίζα όσο θα κάνετε τις συνδέσεις. Ο ρόλος του subwoofer είναι να λαμβάνει τα σήματα από την αλυσίδα ενίσχυσης και, όπου είναι απαραίτητο, να διαχωρίζει το σήμα σε χαμηλές και υψηλές συχνότητες και να στέλνει τις τελευταίες πίσω στα ηχεία – δορυφόρους. Τα σήματα εισόδου του δεξιού και του αριστερού καναλιού μπορούν αν χρειαστεί να συγχωνευτούν σε ένα μονοφωνικό σήμα χαμηλών που θα πηγαίνει στο subwoofer.

Η χρησιμότητα του subwoofer είναι να δέχεται σήματα από την ενισχυτική αλυσίδα και, όπου είναι απαραίτητο (σε στερεοφωνικές εφαρμογές), να τα διαχωρίζει σε χαμηλές και υψηλές συχνότητες και να στέλνει τις τελευταίες πίσω στα ηχεία δορυφόρους. Οι εισοδοί του δεξιού και του αριστερού καναλιού μπορούν να συνδυαστούν και να στείλουν ένα μονοφωνικό σήμα χαμηλών συχνοτήτων στο subwoofer.

Το subwoofer οδηγεί όλα τα σήματα εισόδου και εξόδου επιπέδου line (μέσω των υποδοχών τύπου RCA) και επιπέδου ηχείων (speaker level – μέσω των ακροδεκτών 4mm που υπάρχουν στη πίσω πλευρά του), γεγονός που δίνει αρκετές επιλογές ως προς τις συνδέσεις.

Χρησιμοποιήστε τον παρακάτω πίνακα για να επιλέξετε το σωστό τρόπο σύνδεσης για το σύστημά σας:

Εφαρμογή: Home Theatre

Το subwoofer μπορεί να χρησιμοποιηθεί με οποιονδήποτε επεξεργαστή surround έχει έξοδο επιπέδου line για subwoofer (συνήθως με υποδοχές RCA). Ακόμα και οι επεξεργαστές που έχουν ενσωματωμένο τελικό ενισχυτή (τουλάχιστον οι περισσότεροι από αυτούς) “βγάζουν” το σήμα του subwoofer ή το κανάλι χαμηλών συχνοτήτων (LFE) σε επίπεδο line.

- Επεξεργαστής με ένα ή περισσότερα subwoofers – fig. 3

Εφαρμογή: στερεοφωνικό συγκρότημα

Προενισχυτής – Τελικός:

- α Ένα ή περισσότερα subwoofers με συγχώνευση σημάτων εξόδου σε ένα μονοφωνικό σήμα: Εικόνα 4
- β Δύο subwoofers με ξεχωριστά σήματα δεξιού και αριστερού καναλιού: Εικόνα 5

Το ASW™2500 δεν είναι κατάλληλο για χρήση με ολοκληρωμένους στερεοφωνικούς ενισχυτές, εκτός αν η προενισχυτική τους βαθμίδα διαθέτει έξοδο επιπέδου line για subwoofer.

Χρήση περισσότερων από ένα subwoofers

Η χρήση περισσότερων από ένα subwoofers μπορεί να βελτιώσει την απόδοση του συστήματός σας ως εξής:

- Διατηρώντας το στερεοφωνικό διαχωρισμό στις πολύ χαμηλές συχνότητες.
- Επιτυγχάνοντας καλύτερη απόδοση σε μεγαλύτερους χώρους.
- Αυξάνοντας το μέγιστο επίπεδο έντασης, γεγονός που βοηθά στην βελτιστοποίηση της απόδοσης των ειδικών εφφέ σε συστήματα Home Theatre.
- Ελέγχοντας καλύτερα και περιορίζοντας τις χαμηλές αντηχήσεις του χώρου.

Αν χρησιμοποιήσετε δύο subwoofers σε ένα στερεοφωνικό σύστημα, ένα για κάθε κανάλι, ο στερεοφωνικός διαχωρισμός βελτιώνεται, αρκεί να τοποθετήσετε το κάθε subwoofer κοντά στο αντίστοιχο ηχείο-δορυφόρο. Αν δεν μπορεί να γίνει αυτό (δηλαδή το κάθε subwoofer να τοποθετηθεί δίπλα στο αντίστοιχο δορυφόρο), κάντε μόνο τη μονοφωνική σύνδεση της εικόνας 4.

Έλεγχος των συνδέσεων

ΒΕΒΑΙΩΘΕΪΤΕ ΟΤΙ Η ΤΑΣΗ ΠΟΥ ΑΝΑΓΡΑΦΕΤΑΙ ΕΠΑΝΩ ΣΤΟΝ ΕΝΙΣΧΥΤΗ ΤΑΙΡΙΑΖΕΙ ΜΕ ΑΥΤΗΝ ΤΗΣ ΠΡΙΖΑΣ ΣΤΗΝ ΟΠΟΙΑ ΘΑ ΤΟΝ ΣΥΝΔΕΣΕΤΕ.

Πριν ακούσετε την ηχητική απόδοση του συστήματός σας και πριν κάνετε τις τελικές ρυθμίσεις, ελέγξτε πάλι τις συνδέσεις. Συμβαίνει πολύ συχνά, να εκφράζονται παράπονα από τους χρήστες ότι δεν μπορούν να επιτύχουν καλό ήχο όσο και αν προσπαθήσουν, για να αποδειχτεί τελικά ότι είχαν κάνει κάποιο λάθος στις συνδέσεις. Έτσι, θα πρέπει να βεβαιωθείτε:

- Η φάση είναι σωστή – δεν θα πρέπει να έχουν συνδεθεί αντίστροφα οι πόλοι στα ηχεία-δορυφόρους (π.χ. ο θετικός στον αρνητικό πόλο). Αν κάτι είναι εκτός φάσης μπορεί ο ήχος να είναι παραμορφωμένος και η ηχητική εικόνα ανακριβής και ασταθής ή να είναι περιορισμένες οι χαμηλές συχνότητες (μπάσα) ή και τα δύο.
- Ότι έχετε συνδέσει σωστά τα κανάλια (το δεξί (Right – R) στο δεξί και το αριστερό (Left – L) στο αριστερό). Τέτοιου είδους λάθος σύνδεση μπορεί να έχει σαν αποτέλεσμα, τα όργανα της ορχήστρας να ακούγονται σαν να ήταν τοποθετημένα ανάποδα ή – ακόμη χειρότερα – ο ήχος σε ένα σύστημα Home Theatre να έρχεται αντίθετα από τη δράση στην οθόνη.

Ενεργοποίηση και απενεργοποίηση του ηχείου

Καλό είναι, το subwoofer να τίθεται σε λειτουργία πριν από τον ενισχυτή σας και αντίστοιχα να απενεργοποιείται τελευταίο.

Ο διακόπτης ενεργοποίησης / αναμονής λειτουργίας / αυτόματης ανίχνευσης σήματος (on/auto/standby) (9) που βρίσκεται επάνω δεξιά στον πίνακα ελέγχου του ενισχυτή, δεν διακόπτει πλήρως την παροχή ρεύματος από τη συσκευή. Διατηρεί μία μικρή τάση ρεύματος σε ένα βοηθητικό αισθητήριο κύκλωμα. Τα μοντέλα που λειτουργούν με 230V έχουν έναν επιπλέον διακόπτη (13) που διακόπτει τελείως την τροφοδοσία ρεύματος. Για να κλείσετε τελείως το ρεύμα από τα άλλα μοντέλα θα πρέπει να τα βγάλετε από την πρίζα, κάτι που συνιστάται σε περίπτωση που δεν σκοπεύετε να χρησιμοποιήσετε το subwoofer για μεγάλο χρονικό διάστημα.

Ο διακόπτης (9) λειτουργεί ως εξής:

Θέση On:

Όταν ο διακόπτης βρίσκεται στη θέση αυτή, ο ενισχυτής είναι διαρκώς σε λειτουργία και η φωτεινή ένδειξη είναι πράσινη.

Auto:

Την πρώτη φορά που θα βάλετε το διακόπτη στη θέση Auto, ο ενισχυτής του subwoofer θα τεθεί σε πλήρη λειτουργία και η φωτεινή ένδειξη (10) που βρίσκεται επάνω από τον διακόπτη on/auto/standby θα ανάψει σε πράσινο χρώμα. Αν περάσουν 5 λεπτά χωρίς η συσκευή να δεχτεί κάποιο σήμα, ο ενισχυτής θα τεθεί αυτόματα σε αναμονή λειτουργίας, και η φωτεινή ένδειξη θα γίνει κόκκινη. Μόλις εντοπιστεί σήμα, ο ενισχυτής θα τεθεί αυτόματα σε λειτουργία, και η ένδειξη θα γίνει πάλι πράσινη.

Standby:

Στη θέση αυτή, ο ενισχυτής είναι μονίμως σε αναμονή λειτουργίας, και η φωτεινή ένδειξη είναι κόκκινη.

Χρήση των ρυθμιστικών πλήκτρων του ASW™2500

Υπάρχουν 5 ρυθμιστικά:

- Το ρυθμιστικό της έντασης (VOLUME) (4)
- Το ρυθμιστικό της συχνότητας low-pass (LOW-PASS FREQUENCY) (5)
- Ο διακόπτης PHASE (6)
- Ο διακόπτης του φίλτρου low-pass (LOW-PASS FILTER) (7)
- Ο διακόπτης ισοστάθμισης (EQ) (8)

Οι ιδανικές ρυθμίσεις εξαρτώνται από τον υπόλοιπο εξοπλισμό που χρησιμοποιείτε. Αν χρησιμοποιείτε δύο subwoofers, οι ρυθμίσεις θα πρέπει να είναι ίδιες και στα δύο.

Χρήση με αποκωδικοποιητές home theatre

Το ASW™2500 δεν είναι εγκεκριμένο για χρήση με το σύστημα THX®, αλλά αν θέλετε μπορείτε να το χρησιμοποιήσετε με έναν αποκωδικοποιητή THX®.

- Βάλτε το ρυθμιστικό έντασης (VOLUME) του αποκωδικοποιητή στη μεσαία θέση (θέση “12:00”).
- Η θέση του ρυθμιστικού LOW-PASS FREQUENCY δεν έχει σημασία.
- Βάλτε αρχικά το διακόπτη PHASE στη θέση 0°.
- Βάλτε το διακόπτη LOW-PASS στη θέση OUT.
- Αρχικά, βάλτε το διακόπτη EQ στη θέση A.

Διαβάστε επίσης την ενότητα “Τελικές Ρυθμίσεις”.

Αν έχετε έναν αποκωδικοποιητή THX®, βεβαιωθείτε ότι η λειτουργία του subwoofer είναι ενεργοποιημένη. Αν ισχύει αυτό, θα είναι ενεργοποιημένα και όλα τα φίλτρα και οι ρυθμίσεις στάθμης που απαιτούνται για το subwoofer, σε όλους τους τύπους surround. Για να ρυθμίσετε σωστά το επίπεδο έντασης του subwoofer θα πρέπει να χρησιμοποιήσετε το δοκιμαστικό σήμα του αποκωδικοποιητή και τα ρυθμιστικά της στάθμης των καναλιών. Σε κάθε περίπτωση θα πρέπει όλες οι στάθμες να δίνουν επίπεδο ηχητικής πίεσης (SPL) 75dB (C-weighted) στη θέση ακρόασης, το οποίο θα καθοριστεί με τη βοήθεια του δοκιμαστικού σήματος του αποκωδικοποιητή.

Αν ο αποκωδικοποιητής σας δεν διαθέτει σύστημα THX®, θα πρέπει πριν ρυθμίσετε τις στάθμες να ορίσετε τα εμπρόσθια και τα πίσω ηχεία σας ως “μεγάλα” ή “μικρά”, ανάλογα με την ικανότητα τους να αποδίδουν τις χαμηλές συχνότητες. Χρησιμοποιήστε το δοκιμαστικό σήμα και τα ρυθμιστικά έντασης του αποκωδικοποιητή για να ρυθμίσετε τις στάθμες όλων των ηχείων. Αλλάξτε τη θέση του ρυθμιστικού έντασης (VOLUME) του subwoofer μόνο αν το αντίστοιχο ρυθμιστικό του αποκωδικοποιητή δεν έχει το απαιτούμενο εύρος για τη στάθμη που θέλετε.

Για να μετρήσετε το επίπεδο του ήχου μπορείτε να χρησιμοποιήσετε κάποιον από τους φθηνούς σχετικά μετρητές που κυκλοφορούν στο εμπόριο. Για περισσότερες λεπτομέρειες διαβάστε τις οδηγίες χρήσης του αποκωδικοποιητή.

Χρήση με στερεοφωνικό συγκρότημα

- Βάλτε το ρυθμιστικό έντασης (VOLUME) του αποκωδικοποιητή στην μεσαία θέση (θέση “12:00”).
- Βάλτε το ρυθμιστικό LOW-PASS FREQUENCY αρχικά στη θέση 80Hz.

- Βάλτε το διακόπτη LOW-PASS FREQUENCY στη θέση IN.
- Βάλτε το διακόπτη EQ αρχικά στη θέση B.
- Βάλτε αρχικά το διακόπτη PHASE στη θέση 0°.

Διαβάστε επίσης την ενότητα “Τελικές Ρυθμίσεις”.

Τελικές ρυθμίσεις

Ο διακόπτης EQ έχει δύο θέσεις. Η θέση A δίνει τα υψηλότερα επίπεδα έντασης από το subwoofer, ενώ η θέση B εντείνει τα ηχεία-“δορυφόρους”, καθώς και με τις θέσεις όλων των ηχείων στο χώρο ακρόασης.

Στερεοφωνικό συγκρότημα

Η ιδανικές θέσεις του διακόπτη PHASE και του ρυθμιστικού LOW-PASS FREQUENCY είναι αλληλοεξαρτώμενες αλλά έχουν σχέση και με τη δυνατότητα “αποκοπής” (cut-off) των χαμηλών συχνοτήτων από τα ηχεία-“δορυφόρους”, καθώς και με τις θέσεις όλων των ηχείων στο χώρο ακρόασης.

Εγκαταστήστε το σύστημά σας στις θέσεις που θέλετε και βάλτε να παίζει ένα μουσικό κομμάτι (ή άλλο υλικό) με σταθερά μπάσα. Η καλύτερη ρύθμιση για το ρυθμιστικό LOW-PASS FREQUENCY εξαρτάται από διάφορες παραμέτρους, όπως η ικανότητα των ηχείων-δορυφόρων να αποδίδουν τα μπάσα, ο αριθμός των subwoofers που χρησιμοποιείτε και η θέση τους σε σχέση με τα ηχεία-δορυφόρους. Η περιοχή μεταξύ 80 και 90 Hz είναι μία καλή αφετηρία για τη ρύθμιση της συχνότητας LOW-PASS. Αν δεν χρησιμοποιείτε δύο subwoofers – ένα για κάθε κανάλι – τοποθετημένα κοντά στο αντίστοιχο ηχείο-δορυφόρο, καλό είναι να μην αυξήσετε τη συχνότητα αποκοπής (cut-off frequency) γιατί μπορεί να επηρεαστεί αρνητικά την στερεοφωνική εικόνα. Εξετάστε την πιθανότητα να αυξήσετε τη συχνότητα αποκοπής (με ένα subwoofer στο σύστημα) μόνο αν η δυνατότητα απόδοσης των μπάσων από τα ηχεία δορυφόρους είναι πολύ περιορισμένη.

Εάν κάνετε οποιεσδήποτε αλλαγές στην ενίσχυση (π.χ. εάν αλλάξετε τη σύνδεση του subwoofer από speaker level (επίπεδο ηχείων) σε line level (επίπεδο line), όπου τα χαρακτηριστικά φάσης του υψιπερατού φίλτρου (high-pass) του subwoofer είναι διαφορετικά για κάθε ένα από τα επίπεδα αυτά) θα πρέπει να ελέγξετε πάλι τη θέση του διακόπτη phase.

Ρυθμίστε την σχέση της έντασης (balance) μεταξύ του subwoofer και των ηχείων-δορυφόρων στο επίπεδο που θέλετε. Για να βρείτε κάποια ικανοποιητική σχέση, κάντε δοκιμές ακούγοντας αρκετά και διαφορετικά μεταξύ τους μουσικά κομμάτια, αφού η σχέση που ακούγεται

ικανοποιητική σε κάποιο κομμάτι μπορεί να είναι υπερβολική σε κάποιο άλλο. Κάντε τις δοκιμές, με το συνολικό ήχο σε μέτρια επίπεδα έντασης γιατί η σχέση μεταβάλλεται ανάλογα με την ένταση.

Home theatre

Η περίπτωση των συστημάτων home theatre είναι κάπως διαφορετική από αυτή των απλών στερεοφωνικών συστημάτων. Το κανάλι του subwoofer (LFE – Low Frequency Effects) είναι ξεχωριστό κανάλι και όχι μία προέκταση του σήματος που οδηγείται στα ηχεία. Το φίλτρο LOW-PASS είναι απενεργοποιημένο, γιατί ο αποκωδικοποιητής εφαρμόζει όλα τα φίλτρα που είναι απαραίτητα για τα ηχεία που έχουν οριστεί “μικρά”. Ωστόσο, θα πρέπει και εδώ να ρυθμίσετε τη θέση του διακόπτη phase. Κανονικά, η φάση θα πρέπει να ρυθμιστεί στη θέση 0°, αλλά αν η απόσταση του subwoofer από τη θέση ακρόασης είναι διαφορετική από αυτή των άλλων ηχείων, ή αν ο τελικός ενισχυτής που οδηγεί τα άλλα ηχεία αντιστρέφει το σήμα, ίσως η θέση 180° να είναι προτιμότερη. Προσέξτε το συνολικό άκουσμα βάζοντας το διακόπτη και στις δύο θέσεις, και επιλέξτε αυτή που δίνει τον πληρέστερο ήχο. Αν η διαφορά είναι μικρή, επιλέξτε τη θέση 0°.

Συνήθως, οι αποκωδικοποιητές παράγουν ένα δοκιμαστικό ηχητικό σήμα με τη βοήθεια του οποίου μπορείτε να ρυθμίσετε τις στάθμες όλων των ηχείων, κάνοντας έτσι τη διαδικασία ευκολότερη από ότι για ένα στερεοφωνικό συγκρότημα. Ωστόσο, μην διστάσετε να αλλάξετε τις ρυθμίσεις με βάση τις προσωπικές σας προτιμήσεις. Είναι εύκολο να παρασυρθεί κανείς με τις δυνατότητες ενός subwoofer, ειδικά σε σχέση με κάποια ειδικά ηχητικά εφέ χαμηλών συχνοτήτων. Πολύ συχνά, μία πιο ρεαλιστική και πιθανότατα περισσότερο ικανοποιητική αναπαράγωγή επιτυγχάνεται αν ρυθμίσετε τη στάθμη του subwoofer χαμηλότερα από αυτή των υπόλοιπων ηχείων.

Για όλες τις εφαρμογές

Εάν η απόδοση των χαμηλών είναι “άνιση”, δηλαδή εάν κάποιες μπάσες νότες τονίζονται περισσότερο από κάποιες άλλες, είναι πολύ πιθανό αυτό να οφείλεται στην ηχητική συμπεριφορά του χώρου, και θα ήταν καλό να κάνετε κάποιους πειραματισμούς ως προς τη θέση του subwoofer. Ακόμα και μικρές αλλαγές στην τοποθέτηση (της τάξεως π.χ. των 15 εκατοστών), μπορούν να οδηγήσουν σε σημαντική βελτίωση του ήχου. Δοκιμάστε να σηκώσετε το ηχείο ψηλότερα από το πάτωμα ή να το μετακινήσετε στο πλάι. Η χρήση περισσότερων από ένα subwoofers μπορεί να βοηθήσει αισθητά στον έλεγχο των αντηχήσεων του χώρου. Μπορείτε επίσης να μεταβάλλετε τη σχέση μεταξύ της απόστασης subwoofer – ακροατή και

δουροφόρων – ακροατή. Αν κάνετε κάτι τέτοιο θα πρέπει να ελέγξετε πάλι τη θέση του διακόπτη phase. Ελέγξτε επίσης το επίπεδο έντασης του subwoofer (είτε από το ρυθμιστικό έντασης του αποκωδικοποιητή, είτε το ρυθμιστικό έντασης του ενισχυτή του subwoofer), αλλά μόνο αφού έχετε ρυθμίσει σωστά το διακόπτη phase.

Φροντίδα του ηχείου

Μπορείτε να καθαρίσετε την καμπίνα του subwoofer χρησιμοποιώντας ένα στεγνό κομμάτι ύφασμα. Εάν θέλετε να χρησιμοποιήσετε κάποιο καθαριστικό σε μορφή σπρέι, μην ψεκάσετε κατ' ευθείαν στην καμπίνα αλλά στο ύφασμα. Πριν καθαρίσετε την καμπίνα, αφαιρέστε την μπάφλα προσέχοντας να μην προξενήσετε ζημιά στο μεγάφωνο. Μπορείτε να καθαρίσετε τη μπάφλα χρησιμοποιώντας μία μαλακή βούρτσά.

Μην τοποθετείτε αντικείμενα επάνω στο ηχείο. Όταν το subwoofer λειτουργεί δημιουργούνται κραδασμοί και μπορεί τα αντικείμενα να πέσουν και να προξενήσουν ζημιά. Αποφύγετε κυρίως το ενδεχόμενο να χυθεί κάποιο υγρό επάνω στο ηχείο (π.χ. κάποιο ποτό ή το νερό από κάποιο βάζο).

Αν δεν πρόκειται να χρησιμοποιήσετε το σύστημα για μεγάλο χρονικό διάστημα, βγάλτε το subwoofer από την πρίζα.

РУССКИЙ

ΠΡΕΔΥΠΕΡΧΕΔΙΑ:

ВНИМАНИЕ: Варианты изделия, работающие на напряжении 120В поставляются в комплекте с двухжильным электрошнуром, оснащённым полярной вилкой. Для того, чтобы предотвратить удар током, совместите широкий штырь-контакт вилки с широким пазом и полностью вставьте вилку.

Убедитесь в том, что вилка полностью вставлена в стенную розетку или же в розетку удлинителя для предотвращения поражения электрическим током.

Не допускайте проникновения влаги в изделие для предотвращения пожара или удара током.

Придерживайтесь всех инструкций по безопасности и предостережений, помещённых на самом изделии.

Во избежание электрошока, не открывайте корпус изделия, не снимайте заднюю панель и не вынимайте усилитель. Внутри изделия не находится никаких элементов, которые могут обслуживаться пользователем. По всем вопросам, связанным с обслуживанием изделия, обращайтесь к уполномоченному дилеру компании B&W.

Данное изделие не требует заземления.

Убедитесь в том, что изделие правильно вентилируется. Не предотвращайте проникновение воздуха к задней панели усилителя. Не загромождайте и не блокируйте отверстия на панели. Не устанавливайте изделие на полке, в книжном шкафу или серванте, если пространство позади изделия предотвращает правильную вентиляцию и охлаждение усилителя.

Размещая изделие убедитесь, что под ковром не проходят электропровода, которые могут быть повреждены его шиповыми ножками.

Не тащите изделие волоком и не кантуйте его, так как шиповые ножки изделия могут отломиться от корпуса и вызвать повреждения изделия.

При передвижении изделия, будьте осторожны и не повредите свои ноги его шиповыми опорами.

ВВЕДЕНИЕ

Большое спасибо за приобретение Активного Сабвуфера (низкочастотного громкоговорителя) ASW™2500 производства компании B&W.

Со времени основания в 1966 году, компания B&W всегда ставила своей целью безупречное воспроизведение звука. Воодушевляемая в этом стремлении своим основателем, ныне покойным Джоном Бауэрсом, компания не только занималась вложением больших средств в новейшие технологии воспроизведения звука, но и постоянно следила за тем, чтобы эти технологии использовались с максимальной эффективностью в современной музыке и кинематографе.

Сабвуфер ASW™2500 был разработан для использования в качестве акустической системы "домашнего кинотеатра", а также для того, чтобы улучшить звучание басов в двухканальных аудиоклонках полного диапазона. Добавка сабвуфера к Вашей аудиосистеме не только позволяет расширить басовый диапазон до наиболее низких частот, но и улучшить чистоту звучания в среднем диапазоне, тем самым снижая низкочастотные требования к Вашим колонкам.

Пожалуйста, внимательно прочитайте данное руководство по эксплуатации перед использованием сабвуфера. Установка любой акустической системы требует планирования и экспериментирования для достижения её наиболее эффективной работы и данное руководство поможет Вам достичь наилучшего результата.

До подключения сабвуфера к электросети необходимо ознакомиться со всеми инструкциями по безопасности и прочитать все предупреждения.

Поместите это руководство в надёжное место для будущих справок.

Акустические системы производства компании B&W поставляются в более 60 стран по всему миру и наша компания поддерживает международную сеть тщательно отобранных и высококвалифицированных дистрибьютеров. Если у Вас возникнет проблема, с которой не может справиться Ваш дилер, наши дистрибьютеры с удовольствием придут Вам на помощь.

Распаковка

(рис. 1)

Ниже описан простейший способ распаковки сабвуфера без повреждений:

- Отогните верхние клапаны коробки и переверните её вверх дном.
- Снимите коробку с изделия.

Мы рекомендуем сохранить упаковку для использования в будущем.

1 Сабвуфер

1 Комплект принадлежностей, включающий:

4 резиновые ножки

4 шиповые ножки

4 контргайки

1 документ с Международной гарантией

Элементы сабвуфера

(рис. 2)

1 Разъёмы ОТКЛЮЧЕНИЯ (LINK OUT)

2 ВЫВОДНЫЕ разъёмы (LINE OUT)

3 ВВОДНЫЕ разъёмы (LINE IN)

4 Регулятор громкости (VOLUME)

5 Регулятор нижних частот (LOW-PASS FREQUENCY)

6 Переключатель фильтра нижних частот (LOW-PASS FILTER)

7 Переключатель фазы (PHASE)

8 Переключатель эквализации/выравнивания частот

9 Выключатель ПИТАНИЯ Вкл/Авто/Резервный режим (POWER)

10 Индикатор питания/резервного режима

11 Вентиляционные отверстия

12 Разъём шнура питания

13 Сетевой выключатель-разъединитель (только на моделях, работающих на напряжении 230В)

14 Патрон предохранителя

Размещение сабвуфера

Из-за того, что сабвуфер производит только низкочастотные звуки, его размещение не так важно для звучания акустической системы, как положение основных колонок. Определение источника звука гораздо менее точно и у Вас есть возможность широкого выбора при размещении сабвуфера для достижения наилучшего эффекта. Однако, лучшие результаты могут быть достигнуты, если сабвуфер размещён между выводными колонками-громкоговорителями или же вблизи одной из них. При использовании двух сабвуферов лучше всего поместить каждый из них около каждой выводной колонки.

Размещение сабвуфера позади слушателей, даже в акустических системах пространственного звучания, снижает эффект акустической визуализации, однако может быть приемлемо, если условия комнаты не позволяют других вариантов.

Расстояние до стен комнаты влияет на звучание как колонок, так и сабвуфера. Чем больше окружающих поверхностей приближено к колонкам, тем сильнее, как правило, звучит бас. Однако, в отличие от основных колонок, всегда возможно исправить общее звучание акустической системы регулировкой уровня громкости сабвуфера. Чем сильнее отражение звука в комнате, тем легче работа колонок, но здесь существуют некоторые ограничения. Установка аудиосистемы в углу комнаты часто обуславливает увеличение резонанса низких частот, что приводит к неровному звучанию баса. Все помещения обладают различными акустическими характеристиками, поэтому необходимо экспериментировать для достижения наилучшего результата. Перед принятием окончательного решения, попробуйте установить сабвуфер в разных местах комнаты. Выбор музыкальных произведений с восходящими и нисходящими басовыми пассажами помогает определить оптимальный уровень звучания сабвуфера. Прислушайтесь к звучанию особо ярко выраженных или же тихих нот. Обладание отдельным сабвуфером позволяет Вам выбрать его оптимальное расположение в комнате независимо от выводных колонок и обеспечить наилучшее звучание акустической системы.

Если сабвуфер необходимо разместить в замкнутом пространстве (например, в построенной на заказ мебели), то это пространство должно быть вентилируемо для циркуляции воздуха и охлаждения аппарата. Посоветуйтесь об этом со своим дилером.

В комплект с сабвуфером входят шиповые ножки-опоры. Эти шипы протыкают ворс ковра и обеспечивают прочную установку сабвуфера на полу без повреждения ковра.

Если приходится размещать сабвуфер на легко повреждаемых поверхностях, вроде деревянных полов, подложите под шиповые опоры защитные прокладки или же замените шипы резиновыми ножками. Для прикрепления шиповых или резиновых ножек к сабвуферу, сначала полностью навинтите контргайки на резьбу ножек, затем плотно ввинтите ножки в отверстия в корпусе сабвуфера. Если сабвуфер неровно стоит или шатается, отрегулируйте высоту двух противостоящих ножек, пока сабвуфер не будет прочно установлен, а потом заново затяните контргайки.

Подключение сабвуфера к сети

Отсоедините питание всей акустической системы на время всех подключений и их проверки. Это помогает избежать риска повреждений при подключении.

Основная функция сабвуфера состоит в приёме сигналов от усилителя и, при необходимости, от двухканального звуковоспроизводящего аппарата, разделении сигнала на низкие басовые и более высокие частоты и посылке высокочастотного сигнала назад на выводные колонки. Если требуется, входы левого и правого каналов могут быть сведены в единый монофонический сигнал, подаваемый на сабвуфер.

Сабвуфер вводит и выводит сигналы линейного уровня посредством разъёмов типа RCA Phono, расположенных на задней панели аппарата.

Для правильного подключения Вашей аудиосистемы, обращайтесь к следующей таблице:

Применение: Домашний Кинотеатр

Сабвуфер можно использовать с любым декодером, оснащённым сабвуферным выходом линейного уровня (обычно через разъём типа RCA Phono). Большинство декодеров со встроенными усилителями выводит сигнал сабвуфера или сигнал низкочастотных эффектов (НЧЭ) на линейном уровне.

- Декодер с одним или несколькими сабвуферами (рис. 3).

Применение: двухканальный звуковоспроизводящий аппарат

Отдельные предусилители и усилители мощности:

а) Один или несколько сабвуферов с выходными сигналами, объединёнными в единый монофонический сигнал (рис. 4)

б) Два сабвуфера с отдельными левым и правым сигналами (рис. 5)

Сабвуфер ASW™2500 не предназначен для использования с двухканальными встроенными предусилителями и усилителями мощности, если только они не оснащены выходом уровня сигнала на линии передачи от предусилителя.

Использование нескольких сабвуферов

Использование более, чем одного сабвуфера в одной акустической системе может улучшить воспроизведение звука следующими способами:

- Поддержка переходного затухания между стереофоническими каналами до самых низких частот.
- Адаптация системы к работе в помещениях больших размеров.

- Обеспечение максимальной мощности звука, что улучшает эффективное воспроизведение звуковых эффектов в установках, типа “домашний кинотеатр”.
- Снижение резонанса низких частот в помещениях.

Если Вы используете два сабвуфера для двухканального звуковоспроизводящего аппарата, переходное затухание между стереофоническими каналами улучшается, если каждый канал оснащён своим сабвуфером, при условии, что каждый из них расположен рядом со своей выводной колонкой.

Проверка правильности подключения

УБЕДИТЕСЬ В ТОМ, ЧТО НАПРЯЖЕНИЕ, ПОКАЗАННОЕ НА ПАНЕЛИ УСИЛИТЕЛЯ, СОВПАДАЕТ С НАПРЯЖЕНИЕМ ЭЛЕКТРОСЕТИ.

Перед проверкой качества звучания новой аудиосистемы и её точной настройкой, заново проверьте правильность всех соединений. Пользователи часто жалуются на то, что не могут добиться хорошего звучания системы вне зависимости от её регулировки. Это, как правило, вызвано неправильностью подключения. Убедитесь в том, что:

- Правильно выбрана фаза. Положительные клеммы не должны быть подключены к отрицательным клеммам выводных колонок. Неправильный выбор фазы приводит к невнятности звука с неустойчивой фонограммой или к нехватке басов, или же и к тому и к другому вместе.
- Правый и левый каналы не перепутаны. Это может привести к тому, что, скажем, звучание инструментов в оркестре покажется зеркально отражённым или же, что ещё более неприятно, звуки не будут совпадать с происходящим на экране телевизора домашнего кинотеатра.

Включение и выключение питания

Мы рекомендуем включать сабвуфер перед усилителями мощности, получающими его сигнал. Точно так же, выключайте сабвуфер последним.

Переключатель вкл/авто/резервный режим (9), расположенный в правом верхнем углу лицевой панели усилителя, не предназначен для полного отключения усилителя от электросети. Он поддерживает подачу низкоомного питания вспомогательной сенсорной цепи. Модель усилителя, работающая на напряжении 230В, оснащена дополнительным переключателем (13), полностью отключающим питание. Для

полного отключения из сети других моделей усилителя, выгните их электрошнур из стеновой розетки или же отсоедините его от усилителя. Мы советуем выключать сабвуфер из электросети, если он не используется в течение длительного времени.

Переключатель (9) работает следующим образом:

Вкл:

При переключателе в этом положении, усилитель постоянно остаётся включённым и световой индикатор светится зелёным цветом.

Авто:

При первом переключении сабвуфера в авто-режим, усилитель полностью включается и световой индикатор (10), расположенный над этим переключателем, светится зелёным цветом. По прошествии приблизительно 5 минут без поступления на сабвуфер сигнала, усилитель автоматически переходит на резервный режим работы (режим ожидания) и цвет индикатора меняется на красный. При поступлении входного сигнала, усилитель автоматически переходит в рабочий режим и индикатор заново становится зелёным.

Резервный режим:

В этом положении, усилитель постоянно находится в режиме ожидания и индикатор светится красным цветом.

Настройка сабвуфера органами управления

Сабвуфер оснащён 5 органами управления:

- Регулятор ГРОМКОСТИ (4)
- Регулятор НИЗКИХ ЧАСТОТ (5)
- Переключатель фильтра НИЗКИХ ЧАСТОТ (6)
- Переключатель ФАЗЫ (7)
- Переключатель ЧАСТОТНОЙ КОРРЕКЦИИ (ЧК) (8)

Достижение оптимальной настройки сабвуфера зависит от другого оборудования, с которым он используется. При использовании более одного сабвуфера, убедитесь, что все они настроены одинаково.

Использование с декодерами домашних кинотеатров

Сабвуфер ASW™2500 не является лицензированным компонентом THX®, но, при желании, может быть использован с контроллером THX®.

- Установите регулятор ГРОМКОСТИ декодера в серединное положение (“12 часов”).

- Положение регулятора НИЗКИХ ЧАСТОТ не имеет значения.
- Установите переключатель НИЗКИХ ЧАСТОТ в положение ВЫКЛ (OUT).
- Установите переключатель ЧАСТОТНОЙ КОРРЕКЦИИ в положение А.
- Первоначально, установите переключатель ФАЗЫ на 0°.

См. также раздел “Точная настройка”

Если Вы пользуетесь контроллером THX®, убедитесь, что активирована его функция сабвуфера для обеспечения настройки фильтров и баланса сабвуфера при работе в любом режиме. Для калибровки уровня звука используются регуляторы внутреннего проверочного шума и уровня каналов контроллера THX®. Во всех случаях, звучание должно быть установлено для достижения уровня звукового давления в месте нахождения слушателя 75дБ с проверочного сигнала внутреннего шума контроллера.

При использовании сабвуфера с другими декодерами, разместите передние колонки и колонки окружающего звука по принципу “большие” или “малые” перед настройкой уровней звука. Используйте проверочный шумовой сигнал и регуляторы громкости декодера для настройки уровней звучания всех колонок. Изменяйте положение регулятора ГРОМКОСТИ сабвуфера только в том случае, если декодер не обладает достаточным диапазоном для достижения правильных уровней звучания.

Недорогие измерители уровня звука, которые надо использовать для калибровки уровней звучания, продаются во всех магазинах, торгующих электронной аппаратурой. Для дальнейшей информации о настройке уровней звучания см. инструкцию по эксплуатации декодера.

Использование с двухканальными звуковоспроизводящими аппаратами

- Первоначально, установите регулятор ГРОМКОСТИ декодера в серединное положение (“12 часов”).
- Первоначально, установите регулятор НИЗКИХ ЧАСТОТ на 80Гц.
- Установите переключатель НИЗКИХ ЧАСТОТ в положение ВКЛ (IN).
- Установите переключатель ЧАСТОТНОЙ КОРРЕКЦИИ в положение В.
- Первоначально, установите переключатель ФАЗЫ на 0°.

См. также раздел “Точная настройка”

Точная настройка

Переключатель ЧАСТОТНОЙ КОРРЕКЦИИ оснащён двумя положениями. Положение А предназначено для предоставления сабвуферу возможности обеспечения высочайших уровней звучания, а положение В предоставляет расширение басового звучания и достижение более плотного звука.

Двухканальная звуковоспроизводящая аппаратура

Оптимальные параметры переключателя ФАЗЫ и регулятора НИЗКИХ ЧАСТОТ взаимосвязаны и, помимо этого, зависят от низкочастотной характеристики срабатывания выводных колонок и относительного расстояния между всеми колонками акустической системы.

Установите систему в выбранное положение и включите музыку с постоянным басовым ритмом. Оптимальное положение регулятора НИЗКИХ ЧАСТОТ зависит от нескольких показателей: басового звучания и мощности выводных колонок, количества используемых сабвуферов и их расположения по отношению к выводным колонкам. Частота 80–90 Гц является хорошей точкой отсчёта для настройки НИЗКИХ частот. При отсутствии возможности подключения отдельного сабвуфера к правому и левому каналу рядом с каждой выводной колонкой, необходимо помнить, что более высокие предельные частоты могут нарушить стереозвук и их надо использовать только, если воспроизведение басов выводными колонками чрезвычайно ограничено.

При каждой настройке предельной частоты, прислушивайтесь к звучанию системы в обоих положениях переключателя фазы. Правильным является то положение, при котором басы звучат наиболее полно и насыщенно. Это зависит от низкочастотных характеристик используемых выводных колонок и относительного расстояния от сабвуфера (или сабвуферов) и выводных колонок до слушателей. При использовании нескольких сабвуферов, убедитесь в том, что их предельные частоты и фазовые переключатели настроены одинаково.

Громкость сабвуфера по отношению к выводным системам устанавливается в зависимости от личного вкуса. Для получения наилучшего баланса, прослушайте множество различных музыкальных произведений и выберите оптимальный вариант. Восприятие баланса зависит от уровня громкости, поэтому слушайте музыку на такой громкости, которая наиболее приемлема.

Домашний кинотеатр

Точная настройка сабвуфера в системе домашнего кинотеатра несколько отличается. Сигнал низкочастотных эффектов (НЧЭ) сабвуфера представляет собой отдельный канал, а не продолжение сигнала, подаваемого на выводные колонки. Фильтр НИЗКИХ ЧАСТОТ отключён, так как декодер обеспечивает всю необходимую фильтрацию для любых колонок, установленных на “малые” параметры. Однако, положению переключателя фазы должно быть уделено внимание. Обычно, фаза устанавливается на 0°, но если сабвуфер расположен на довольно большом расстоянии от других колонок или же усилитель мощности, питающий другие колонки, почему-либо преобразует сигнал, может быть предпочтительнее использовать положение 180°. Послушайте музыку с переключателем в обоих положениях и выберите то, которое обеспечивает наиболее насыщенное звучание. Если разница между звучанием небольшая, оставьте переключатель в положении 0°.

Обычно, декодеры работают с калиброванным шумовым сигналом, который используется для настройки относительных уровней звучания всех колонок, что облегчает настройку системы домашнего кинотеатра по сравнению с двухканальной звуковоспроизводящей аппаратурой. Однако, не бойтесь менять настройку в соответствии с Вашим вкусом. Очень легко увлечься возможностями сабвуфера, в особенности некоторыми специфическими низкочастотными эффектами. Но очень часто наиболее реалистичное и, в конечном итоге, наиболее удовлетворительное звучание достигается установкой уровня сабвуфера ниже, чем стандартный уровень калибрации.

Все способы использования

Если при воспроизведении музыки прихрамывают басы, т.е. некоторые ноты звучат гораздо более подчёркнуто, чем остальные, то это, по всей вероятности вызвано проблемами резонанса в помещении и может быть исправлено изменением расположения сабвуфера. Даже небольшое, – около 15 см, – перемещение может существенно повлиять на качество звука. Попробуйте не только передвигать сабвуфер, но и приподнять его над полом. Использование нескольких сабвуферов может сгладить резонанс, т.к. каждый сабвуфер будет вызывать резонанс на разных частотах. При существенном изменении расстояния от сабвуфера (или сабвуферов) и выводных колонок до слушателей необходимо заново проверить положение переключателя фазы. Также, надо настроить уровень звучания сабвуфера (при помощи выходного сигнала декодера или же

регулятора громкости сабвуфера, по ситуации), но сперва необходимо правильно настроить фазу.

Уход за сабвуфером

Удалять пыль с корпуса сабвуфера можно при помощи сухого куска ткани. При пользовании аэрозольными чистящими средствами их следует распылять не напрямую на корпус, а на ткань. Снимите решётку для того, чтобы не запачкать ткань, однако будьте осторожны и не повредите динамик. Решётку можно чистить мягкой щёткой.

Не используйте сабвуфер в качестве столика. При включении сабвуфера предметы, лежащие на нём, будут дребезжать. В особенности, избегайте ставить на сабвуфер вазы с цветами, стаканы с напитками и т.п., так как пролитая жидкость может вызвать повреждения аппарата.

Если система долго не используется, сабвуфер необходимо отключить от электросети.

NORSK

Advarsel:

Advarsel: 120V versjonen av dette produktet blir levert med egen kabel med polarisert støpsele. For å unngå elektrisk sjokk, bruk den store pluggen på støpselet i kontaktens store hull.

Sørg for at støpselet er festet skikkelig i kontakten eller skjøteledningen slik at pluggene ikke er synlige.

Må ikke brukes i kontakter som blottlegger nettlekkets metalldele.

Pass på at den oppgitte nettspenningen på baksiden av apparatet korresponderer med den lokale nettspenning.

Hovedsikringsholderen er på bakplaten av forsterkeren. Ny sikring må være av samme type og størrelse som den originale.

Dette apparatet trenger ikke å jordes.

Dette apparatet må kun brukes med kjølefinnene vertikalt for å sikre tilstrekkelig kjøling.

Denne subwooferen er så tung at den kun bør flyttes eller bæres av minst to personer.

Sørg for at produktet får tilstrekkelig kjøling og at luft får sirkulere fritt rundt forsterkerpanelet på baksiden. Ikke dekk til åpningene i panelet. Ikke plasser produktet i rack, bokhyller, kabinetter eller skap hvis ikke plassen bak produktet er godt ventilert.

Apparatet må løftes – ikke skyves – da føttene på apparatet kan løsne fra kabinettet og forårsake skade.

Vær forsiktig så du ikke setter apparatet på dine egne bein.

SVENSKA

Varningar:

VARNING: 120V versionen av denna produkt har en polariserad kontakt. Var noggrann att sätta in kontakten på ett riktigt sätt för att undvika elektrisk stöt.

Se till att kontakten är helt intryckt i strömtaget för att undvika kontakt med strömförande delar.

För att undvika eldsvåda och elektriska stötar, får högtalaren inte utsättas för regn eller fukt.

Lägg märke till all varningstext på högtalaren. Avlägsna ej högtalarhöljet eller demontera förstärkardelen från högtalarens baksida då detta kan medföra elektriska stötar. Högtalaren innehåller inga delar som kan repareras av lekman. All service skall utföras på av B&W auktoriserad verkstad.

Undvik elektriska stötar genom att alltid tillse att stickkontakten sitter korrekt i väggtaget eller förlängningsladdan.

Kontrollera att högtalarens märkspänning överensstämmer med spänningen i väggtaget.

Huvudsäkring är placerad i förstärkardelen. Ersättning får endast ske med samma typ och värde som originalet och bytas på auktoriserad B&W verkstad.

Högtalaren behöver ej anslutas till jordat väggtag.

Se till att förstärkardelen får ordentlig luftväxling genom att ej täppa till ventilationshålen. Kylflåsarna måste orienteras stående (vertikalt).

Se till att produkten har bra ventilation, den bakre förstärkarpanelen måste ha möjlighet till fri luftcirkulation. Placera ej produkten i ett skåp eller annat utrymme som inte har en öppen baksida med god ventilation till övriga rummet.

Högtalaren är tung och skrymmande och bör därför hanteras av minst två personer.

Baxa inte högtalaren på sina spikes efter som de koniska fötterna då kan lossna från högtalaren och orsaka skada på underlaget.

Se till att du inte får fötterna i kläm under högtalarens spikes. Spik i foten kan vara allvarligt!

SUOMI

Varoituksia:

VAROITUS: 120V:n versiot tuotteesta on varustettu virtakaapelilla, jossa on polarisoitu pistoke. Vältäaksesi sähköiskua, sovita pistokkeen leveä pää leveään reikään.

Varmista, että pistoke on työnnetty pohjaan pistorasiasassa tai haaroitusrasiasassa.

Vältäaksesi tulipaloo tai sähköiskua, älä allista tätä tuotetta sateelle tai kosteudelle.

Huomioi kaikki itse tuotteessa olevat varoitukset.

Vältäaksesi sähköiskua, älä avaa tuotetta tai poista vahvistinta takapaneelista. Sisällä ei ole mitään osia, joita käyttäjä voisi itse vaihtaa. Ota kaikissa huoltoasioissa yhteyttä valtuutettuun B&W-jälleenmyyjään.

Varmista, että vahvistimen paneelissa ilmoitettu jännite on sama kuin verkosta tuleva.

Pääsulakepesä sijaitsee vahvistimen takapaneelissa. Korvaavan sulakkeen täytyy olla samaa tyyppiä ja arvoiltaan sama, mitä tuoteeseen on merkitty.

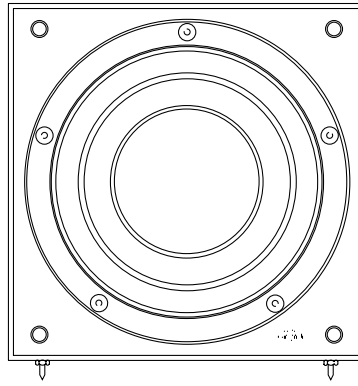
Tuote ei vaadi maadoitusta.

Varmista, että tuote saa asianmukaisen tuuletuksen. Älä estä ilmankiertoa vahvistinpaneelin takana. Älä peitä tai sulje paneelissa olevia aukkoja. Älä käytä tuotetta laitetelineessä, kirjahyllyssä, kaapistossa tahi muussa hyllykössä, jossa tuotteen taakse ei jää riittävästi tilaa.

Varmista, ettei maton alla kulje kaapeleita sellaisessa kohtaa, että tuotteen alustapiikit voisivat vahingoittaa niitä.

Älä keinuta tuotetta piikkien varassa, sillä tämä voi johtaa niiden irtoamiseen kotelosta ja aiheuttaa vaurioita.

Ole varovainen, ettet vahingoita itseäsi siirrellessäsi tuotetta alustapiikkien ollessa asennettuna.



ASW™ 2500

Description	Active closed-box subwoofer	
Drive units	One 250mm (10 in) dia long throw	
System frequency range	-6dB 20Hz - 50/150Hz adjustable (EQ at 'B')	
System frequency response	±3dB 23Hz - 40/120Hz adjustable (EQ at 'B')	
Amplifier	Power output	700W continuous (1kW short term)
	Input impedance	15k Ω
	Sensitivity	88dB spl at 1m for 100mV input (Volume control set to centre position)
	Signal/Noise	90dB
	Functions	Input level Phase 0/180 Low-pass filter bypass Low-pass filter frequency Bass roll-off alignment Auto-sense on/standby
	Inputs	Line In (RCA Phono)
	Outputs	Line Out (RCA Phono, h-p filtered) Link Out (RCA Phono)
	Low-Pass Filter	Active 2nd-order, variable cut-off 50Hz - 150Hz
	High-Pass Filter	Active 2nd-order at 80Hz
Internal Volume	15 litres (0.5 cu ft)	
Dimensions	Height:	315mm (12.4 in) not including feet
	Width:	315mm (12.4 in)
	Depth:	402mm (15.8 in) including controls
Net Weight	23.4kg (51.5 lb)	



LISTEN AND YOU'LL SEE

THX is a registered trademark of Lucasfilm Ltd.

B&W Loudspeakers Ltd. reserves the right to amend details of the specification without notice in line with technical developments.

Copyright © B&W Loudspeakers Ltd. Printed in England.

Manufactured by B&W Loudspeakers Ltd, Meadow Road, Worthing, BN11 2RX

Tel: +44 (0) 1903 524801 Fax: +44 (0) 1903 524725 <http://www.bwspeakers.com>

Service/Distribution:

B&W (UK) Ltd, Marlborough Road, Lancing, West Sussex, BN15 8TR, England. Tel: 01903 750750 Fax: 01903 750694

B&W Loudspeakers of America, 54 Concord Street, North Reading, M.A. 01864-2699 United States of America

Tel: (978) 664-2870 Fax: (978) 664-4109

B&W Loudspeakers (Asia) Ltd, Flat U, 11F Camelpaint, Building Block 111, 60 Hoi Yuen Road, Kwun Tong, Kowloon, Hong Kong.

Tel: +(8522) 790 8903 Fax: +(8522) 341 2777

Free Manuals Download Website

<http://myh66.com>

<http://usermanuals.us>

<http://www.somanuals.com>

<http://www.4manuals.cc>

<http://www.manual-lib.com>

<http://www.404manual.com>

<http://www.luxmanual.com>

<http://aubethermostatmanual.com>

Golf course search by state

<http://golfingnear.com>

Email search by domain

<http://emailbydomain.com>

Auto manuals search

<http://auto.somanuals.com>

TV manuals search

<http://tv.somanuals.com>