

IMPORTANT:
Read Before Using

IMPORTANT :
Lire avant usage

IMPORTANTE:
Leer antes de usar

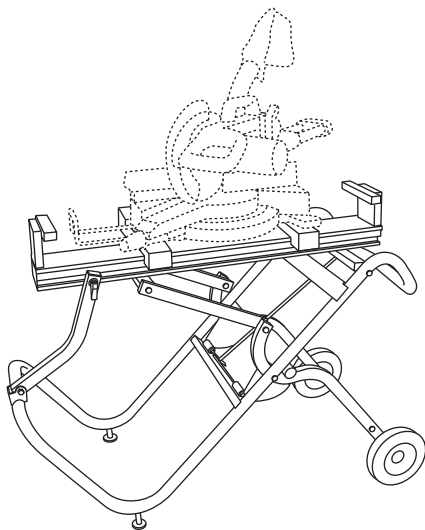


Operating/Safety Instructions

Consignes de fonctionnement/sécurité

Instrucciones de funcionamiento y seguridad

T4B



BOSCH

**Call Toll Free
for Consumer
Information &
Service Locations**

**Pour tous renseignements et
pour obtenir la liste des centres
de service après-vente, appelez
le numéro gratuit :**

**Llame gratis para
obtener información
para el consumidor y
ubicaciones de servicio**

1-877-BOSCH99 (1-877-267-2499) www.boschtools.com

**For English
See page 2**

**Parlez-vous français?
Voir page 13**

**¿Habla español?
Ver página 24**

Safety Instructions for T4B Miter Saw Stand



WARNING

Read and understand all instructions. Failure to

follow all instructions listed below and in your miter saw manual may result in serious personal injury.

Fully assemble and tighten all the fasteners required for this stand. Also remember to occasionally check the stand and make sure it is still tight. A loose stand is unstable and may shift in use and cause serious injury.

Turn tool switch off and disconnect power before mounting to the stand. Unintended startup during assembly can cause injury.

Before operating, make sure the entire unit is placed on a solid, flat, level surface. Serious injury could occur if tool with stand is unstable and tips.

Never stand on tool or its stand or use as ladder or scaffolding. Serious injury could occur if the tool is tipped or the cutting tool is accidentally contacted. Do not store materials on or near the tool such that it is necessary to stand on the tool or its stand to reach them.

Use only Bosch replacement parts. Any others may create a hazard.

The Miter Saw should be firmly mounted to the stand per the instruction manual.

After mounting the Miter Saw to the stand, align, position and balance the Miter Saw per the instruction manual.

Before use, verify that all stand parts are free from damage and/or deformity.

Before use, verify that all parts or components of the stand are properly installed.

When mounting the Miter Saw to the stand, make sure that the tool mount handles are in the "UNLOCK" position, so the tool mount will engage with the main rail. Be sure to hold the saw until it is secured to prevent it from falling off the main rail. Handles should then be locked. (See page 10 for detailed instructions.)

When removing the Miter Saw from the stand, pull the tool mount handles until they rotate to the "UNLOCK" position. Hold the Miter Saw firmly to prevent the saw from falling off the main rail. Carefully remove the Miter Saw. (See page 10 for detailed instructions.)

Do not modify the stand in any manner or use the stand for any purpose other than is stated in these instructions.

Because cut material may cause the stand to become unbalanced, always be sure the material is supported properly. Also, if the piece being cut is placed far beyond the work support, the opposite side may suddenly be lifted up due to weight imbalance. To prevent this from occurring, hold the opposite side firmly before cutting.

This T4B Gravity-Rise Miter Saw Stand is designed to be used with the following miter saws:

Other units may be compatible, but have not been verified for use with the T4B system.

Bosch

4212, 4212L, 4410, 4410L,
4412, 4405, 5412L, 3912,
3915, 3918, 3924

Delta

36-255, 36-255L, 36-240,
MS450

DeWalt

DW712, DW705S, DW703,
DW708, DW706, DW718,
DW715, DW716, DW709

Makita

LS1214, LS1221, LS1013,
LS1212, MS1214F

Milwaukee

6497-6

Ridgid

MS1065LZ, MS1250LZ

Ryobi

TS1353DXL, TS1341, TS1552

Pre-Assembly

You have purchased a Bosch T4B Miter Saw Stand, designed for job site use. This unit sets up and folds quickly, and is easily loaded or unloaded by one person into a truck.

TOOLS REQUIRED:

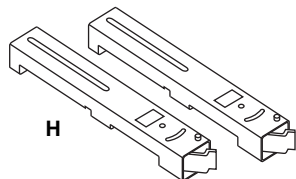
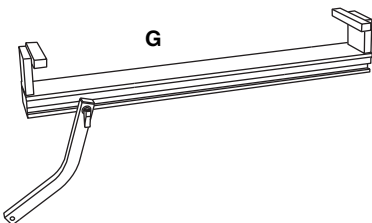
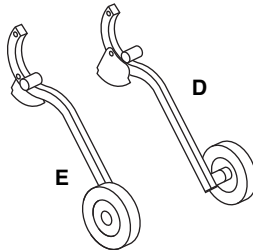
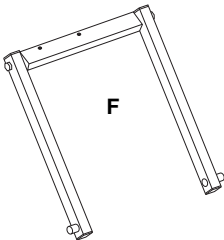
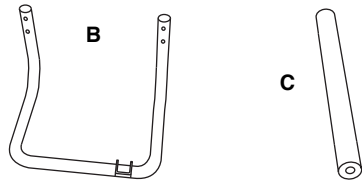
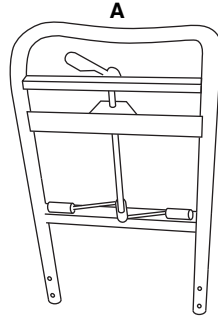
Phillips screwdriver, 10 MM open end wrench, 13 MM open end wrench, 17 MM open end wrench, and adjustable wrench.

BEFORE YOU ASSEMBLE THIS MITER SAW STAND:

Sort out and account for all parts to make sure that you have all necessary materials to assemble your stand. Do not discard packing material until all parts are accounted for.

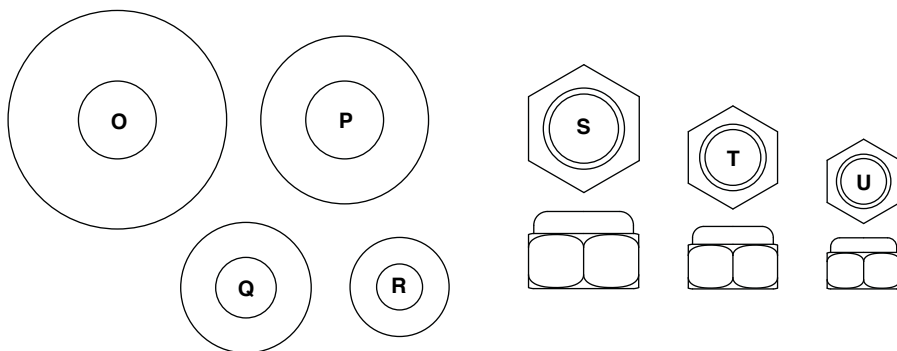
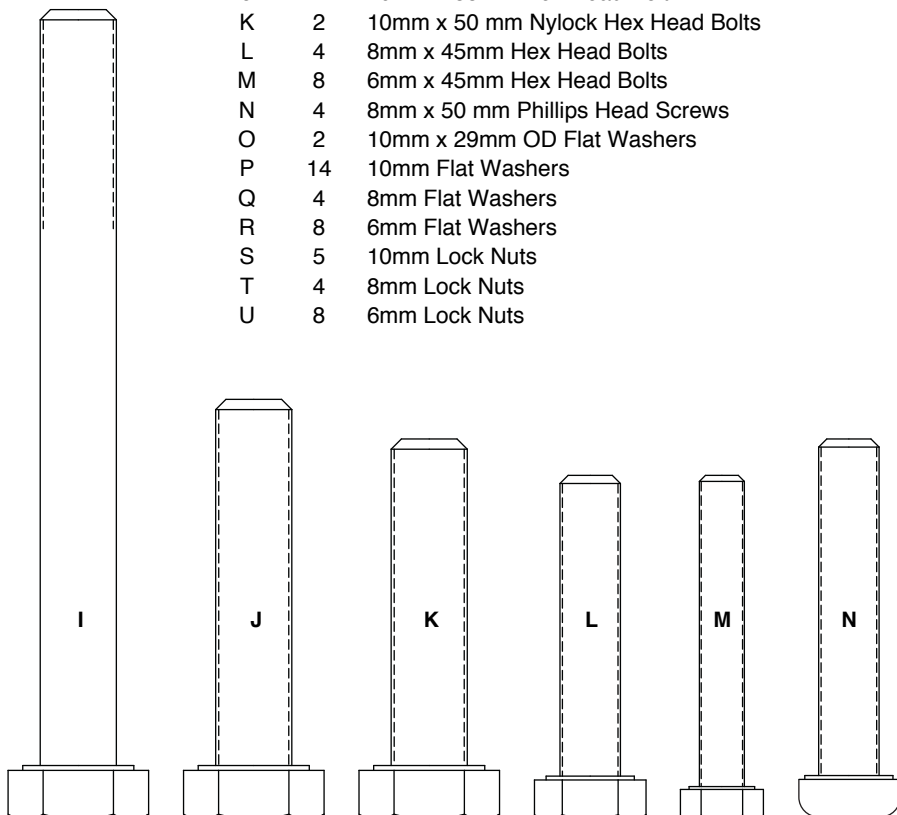
T4B MITER SAW STAND PACKAGE CONTENTS:

<u>Item</u>	<u>Qty.</u>	<u>Part Description</u>
A	(1)	Main Frame
B	(1)	Base Tube
C	(1)	Kick Bar
D	(1)	Right Wheel/Leg Assembly
E	(1)	Left Wheel/Leg Assembly
F	(1)	Support Link Assembly
G	(1)	Rail Assembly/Support Leg
H	(2)	Tool Mount Assemblies



STAND ASSEMBLY HARDWARE
(packaged in one bag)

Item	Qty.	Part Description
I	4	10mm x 100mm Hex Head Bolts
J	1	10mm x 55mm Hex Head Bolt
K	2	10mm x 50 mm Nylock Hex Head Bolts
L	4	8mm x 45mm Hex Head Bolts
M	8	6mm x 45mm Hex Head Bolts
N	4	8mm x 50 mm Phillips Head Screws
O	2	10mm x 29mm OD Flat Washers
P	14	10mm Flat Washers
Q	4	8mm Flat Washers
R	8	6mm Flat Washers
S	5	10mm Lock Nuts
T	4	8mm Lock Nuts
U	8	6mm Lock Nuts



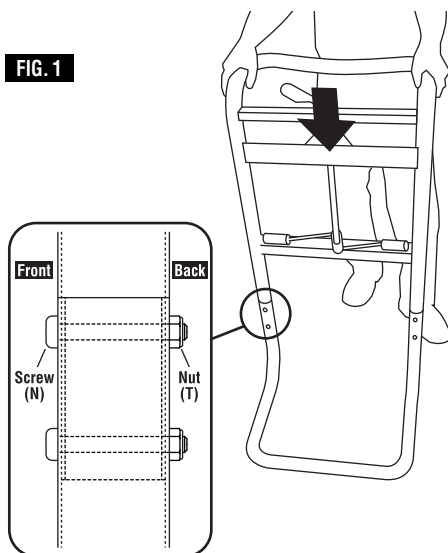
Assembly

Step 1

Attach Main Frame and Base Tube

1. Position base tube on a flat surface as shown in figure 1.
2. Insert ends of main frame into the base tube and push downward as far as it will go.
3. Insert four (4) 8 mm x 50 mm Phillips Head Screws (N) through the holes of the main frame and base tube, and securely tighten with four (4) 8 mm lock nuts (T) as shown.

FIG. 1

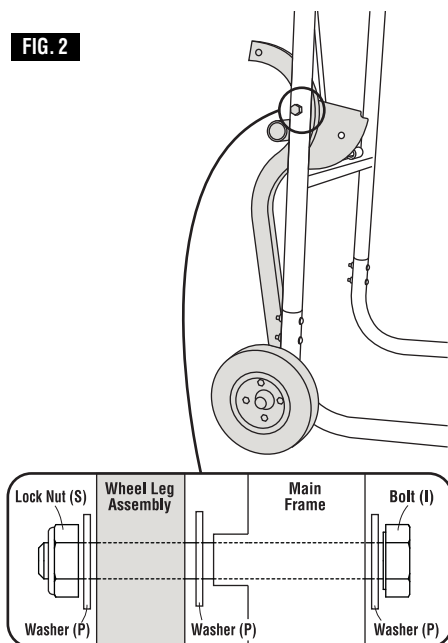


Step 2

Attach Wheel/Leg Assemblies

1. Locate the right wheel/leg assembly (see "R" sticker) and position on right side of main frame/base tube assembly as shown in figure 2.
2. Place one (1) 10mm flat washer (P) onto one (1) 10 mm x 100 mm bolt (I) and insert through main frame.
3. Place another (1) 10 mm flat washer (P) on bolt between wheel/leg assembly and main frame.
4. Insert bolt through right wheel/leg assembly, place one (1) 10 mm flat washer (P), and loosely tighten with one (1) 10 mm lock nut (S).

FIG. 2



Note: Do not over-tighten lock nut. These parts need to freely rotate for stand to operate properly.

Repeat procedure on left side.

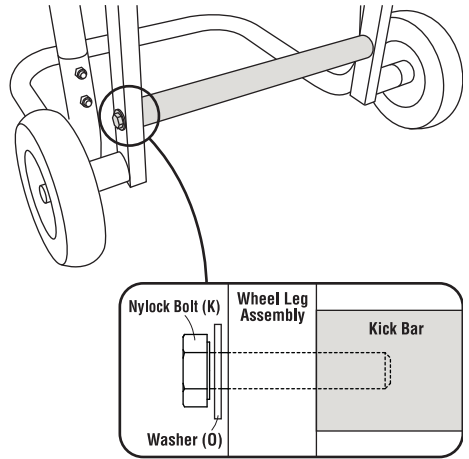
Step 3

Attach Kick Bar

1. Locate the kick bar and position it between the left and right wheel/leg assemblies as shown in figure 3.
2. Place one (1) 10mm x 29mm OD flat washer (O) onto one (1) 10mm x 50mm Nylock hex head bolt (K). Insert bolt through the wheel/leg assembly and thread it into the the kick bar and securely tighten.

Repeat this procedure on other side.

FIG. 3



Step 4

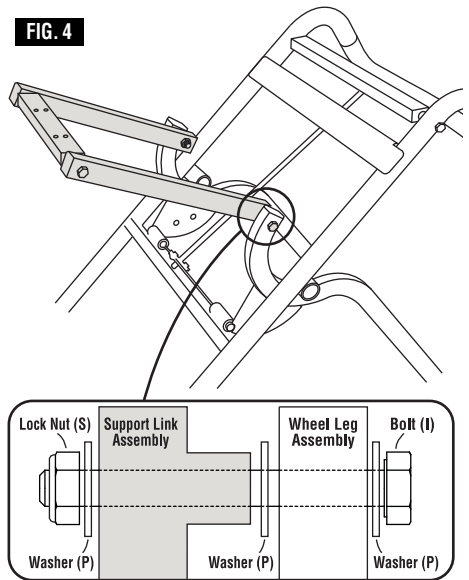
Attach Support Link Assembly

1. Unfold stand from vertical position:
With one hand on the handle, foot on the kick bar, pull back slightly and rotate the release lever to disengage the locking pins. With both hands on the handle, pull back, push down, and lower the stand until it locks in position.
2. Locate the support link assembly and assemble as shown in figure 4. Note the "R" and "L" stickers for proper orientation.
3. Place one (1) 10mm flat washer (P) onto one (1) 10mm x 100mm bolt (I).
4. Insert bolt through wheel/leg assembly and place one (1) 10mm flat washer (P) on bolt between wheel/leg and support link assemblies.
5. Insert bolt through support link assembly, place one (1) 10mm flat washer (P), and loosely tighten with one (1) 10mm lock nut (S).

Note: Do not over-tighten lock nut. These parts need to freely rotate for stand to operate properly.

Repeat this procedure for the opposite side.

FIG. 4

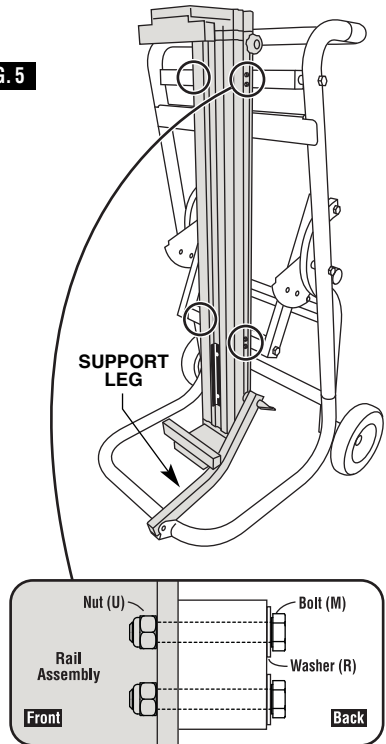


Step 5

Attach Rail Assembly

1. Locate the rail assembly and assemble as shown in figure 5.
2. Fold stand upright: Rotate release lever down to clear locking pins. With both hands on the handle, pull up and push forward on the stand until it locks into the upright position (see page 9).
3. Cut the strap restraining the support leg in place. Make sure the support leg is sitting on top of the base tube until the rail assembly is fully secured.
4. Place one (1) 6mm flat washer (R) onto one (1) 6mm x 45mm bolt (M).
5. Raise the rail assembly and align it with the holes in the long rail support. Prior to fastening the rail assembly, make sure the fastener access window on the long rail support and support link face down when the stand is in its horizontal position.
6. Insert one (1) 6mm x 45mm bolt (M) with 6mm flat washer (R) through the holes of the long rail support and the rail. Loosely tighten with one (1) 6mm lock nut (U).
7. Repeat step 6 of this procedure for the remaining three (3) hole locations in the long rail support and the four (4) hole locations in the support link assembly.
8. Securely tighten all eight (8) bolts.

FIG. 5



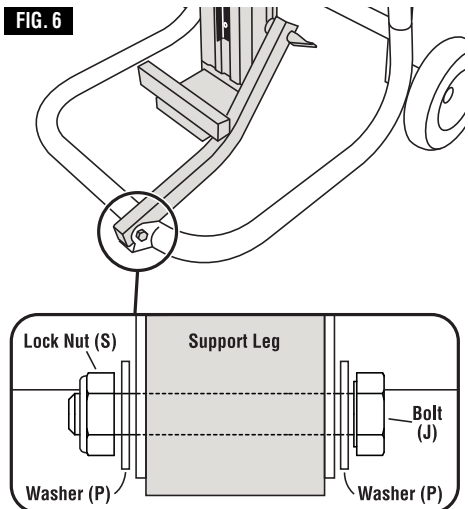
Step 6

Secure Support Leg

1. Locate the support leg and secure as shown in figure 6.
2. Place one (1) 10mm flat washer (P) onto one (1) 10mm x 55mm Hex Head bolt (J).
3. Align the support leg with its hinge built into the base tube.
4. Insert one (1) 10mm x 55mm Hex Head bolt (J) with 10mm flat washer (P) through the support leg hinge and support leg. Place one (1) 10mm flat washer (P) and tighten with one (1) 10mm lock nut (S).

Note: Do not over-tighten lock nut. These parts need to freely rotate for stand to operate properly.

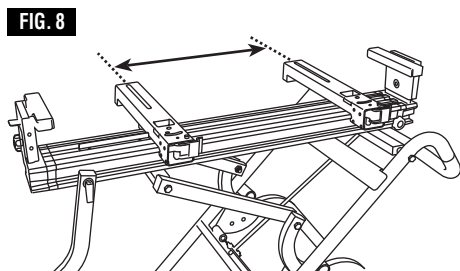
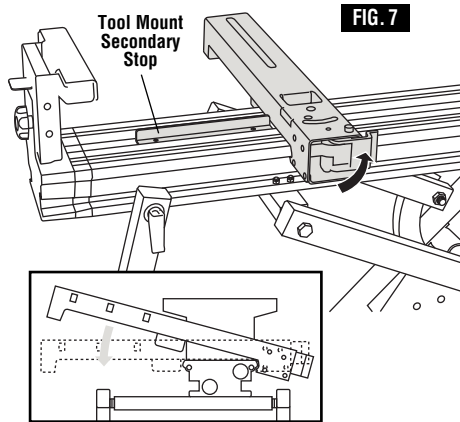
FIG. 6



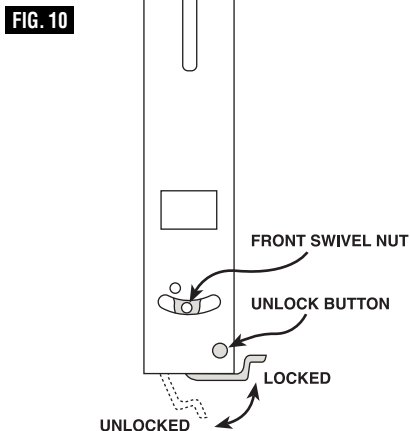
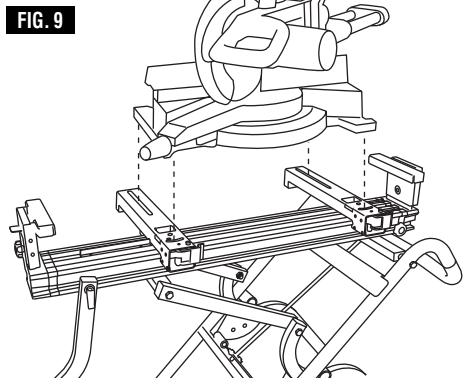
Mounting Miter Saw to Stand

Note: Unfold stand to horizontal position before mounting saw. (See page 9 for instructions.)

1. Locate the tool mount assemblies, place one (1) on the rail against the red tool mount secondary stop, and push the red release lever to the locked position, as shown in figures 7 & 10.
2. Measure the width of the rear mounting holes of the miter saw, place the other tool mount on the rail with the same distance apart as shown in figure 8, and push the release lever to the locked position.
3. Place miter saw on top of the tool mounts, figure 9, align mounting holes by adjusting rear sliding nuts and front swivel nuts, figure 10. Be sure the front of the saw is aligned to the front of both tool mounts.
4. Place one (1) 8mm flat washer (Q) onto one (1) 8mm x 45mm bolt (L), insert through miter saw base and loosely tighten into tool mount.
5. Repeat step 4 of this procedure for the remaining three (3) hole locations.
6. Securely tighten all four (4) bolts.



⚠ WARNING Make sure the saw is properly oriented as shown in the diagram to prevent any tipping hazard. Look for the yellow warning decal on the stand that states “operate saw from this side only.”



Operating Instructions

Fold Stand



WARNING Keep fingers clear of hinge points when folding or unfolding the stand.

1. Unlock support leg cam lock, figure 11.
2. Rotate release lever down to clear locking pins, figure 11.
3. With both hands on the handle, pull up and push forward on the stand, figure 12, until it locks in the upright position, figure 13.

Unfold Stand

1. With one hand on the handle, foot on the kick bar, pull back slightly and rotate the release lever to disengage the locking pins.
2. With both hands on the handle, pull back, push down, and lower the stand until it locks in position.
3. Lock down cam lock support leg.

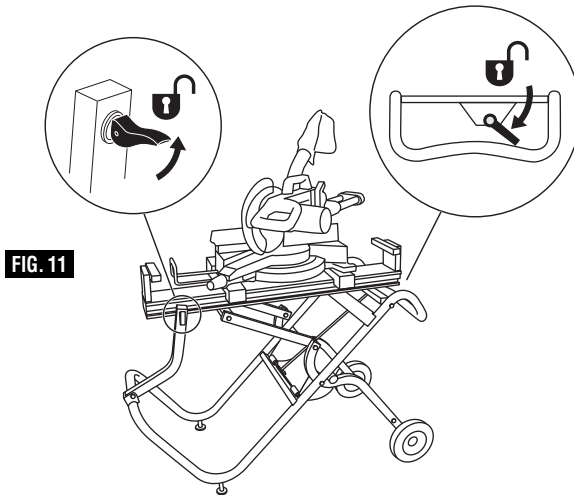


FIG. 11

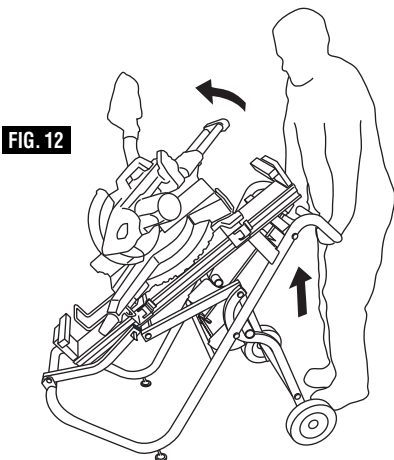


FIG. 12

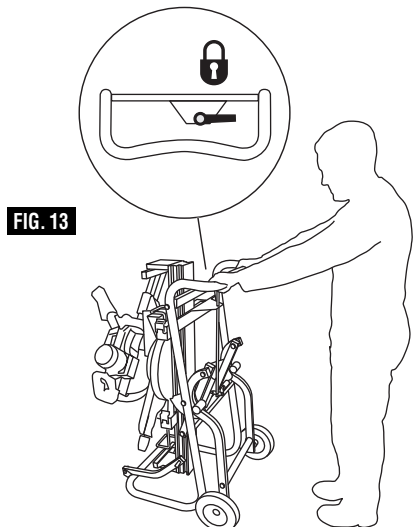


FIG. 13

Remove Saw From Stand (with tool mounts attached)

1. Press the unlock button on each tool mount and open the release lever to the unlocked position (see fig. 10, p8).
2. Locate the carry handles at the base of the saw. Place one hand on the saw base handle and the second on the saw's top handle, as shown in figure 14. Holding tightly, tilt the saw (with the tool mounts still attached) toward yourself and lift it from the stand.

Attach the Saw to the Stand (with tool mounts attached)

1. Make sure the tool mount release levers on each mount are in the open and unlocked position (see fig. 10, p8).
2. Locate the carry handles at the base of the saw. Place one hand on the saw base handle and the second on the saw's top handle. Lift the saw to the rail assembly.
3. Line up the left tool mount next to the red secondary stop on the rail assembly as close as possible.
4. Tilt the saw until the front jaws of both tool mounts are engaged to the rail. With both hands on the saw handles, guide the saw back to its level position on the rail (see fig. 7, p8).
5. Push the release lever on each tool mount to the locked position.

⚠ WARNING Be sure both tool mount levers are in the locked position before operating or transporting the saw.

Expansion Rail Adjustment

1. Loosen the locking knob located along the side of the rail assembly, as shown in figure 15.
2. Extend expansion rail to desired length and retighten locking knob before beginning work.
3. Repeat process for opposite side.

FIG. 14

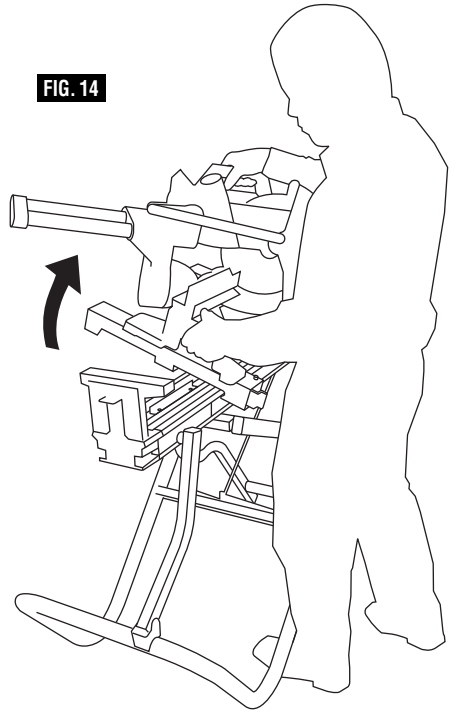
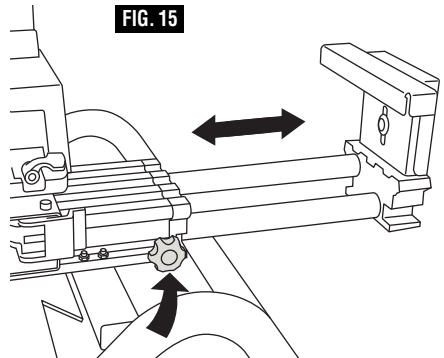


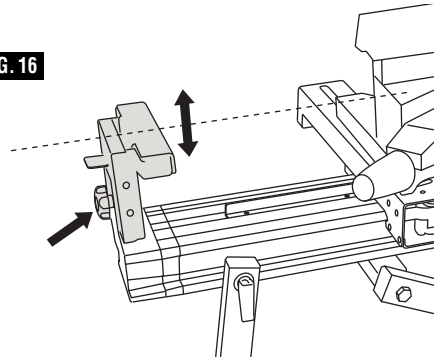
FIG. 15



Work Height Support Adjustment

1. Loosen the locking knob located at the end of the expansion rail, as shown in figure 16, and raise the work height support so it is level with the table top of the attached miter saw.
2. Retighten knob and repeat on opposite side.

FIG. 16



Repetitive Stop Adjustment

To raise the repetitive stop: Lift up and in place as shown in figure 17.

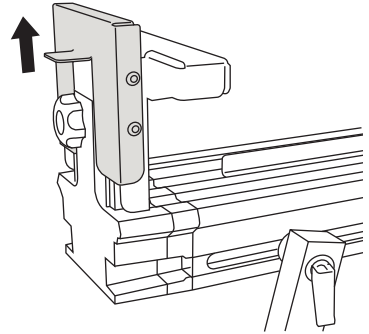
To stow: Push the repetitive stop in toward the rail assembly and down.

Repeat on opposite side.

Cam Lever Adjustment

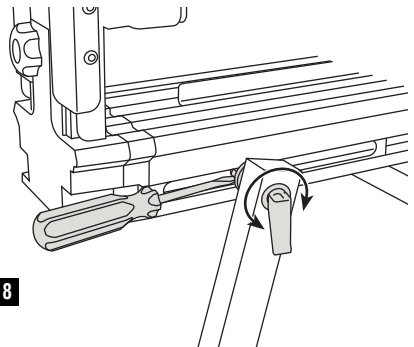
In the event the cam lever for the support leg loosens over time, tighten as shown in figure 18.

FIG. 17



1. Place the cam lever in the "Locked" position.
2. Insert a flat head screw driver between the bottom of M8 Nylock nut and the rail.
3. Rotate the cam lever clockwise to tighten and counter-clockwise to loosen in order to achieve the appropriate feel and stability of the support leg.

FIG. 18



To level stand

The stand is equipped with two adjustable feet for leveling the stand, as shown in figure 19.

To adjust: loosen wing nut and adjust the height of the foot by screwing the threaded shaft clockwise to raise foot or counter-clockwise to lower foot. Retighten wing nut securely.

Stand Adjustability

To ensure the proper engagement of the locking pins for safe and stable operation, the following adjustment is made at the factory prior to your T4B shipping. In the event further adjustment is necessary, the user can quickly and easily do so.

To review the need for adjustment, unfold the stand as shown on page 9.

When unfolded, both left and right locking pins should fully extend without a gap between the locking pin and plate edge, as shown in figure 20. If a pin is not fully extended, follow steps 1 through 3 to adjust.

1. Using a wrench, loosen the jam nut on each side of the stand, one quarter turn only (figure 21).
2. Next, tighten the carriage bolt on the side of the stand that has a gap between the locking pin and plate edge. If this further misaligns the stand, try loosening the bolt on the other side instead. Continue to do so on either side until the components align and both pins extend fully.
3. Once fully aligned, tighten the jam nut on each side.

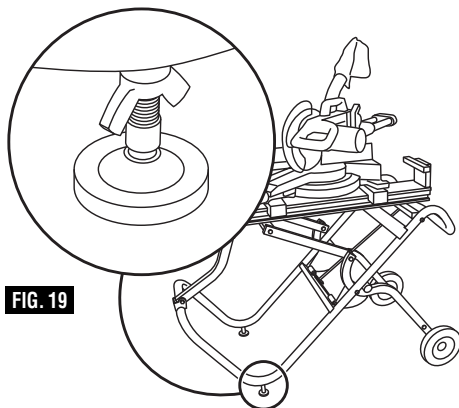


FIG. 19

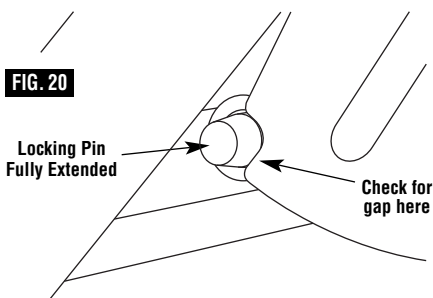


FIG. 20

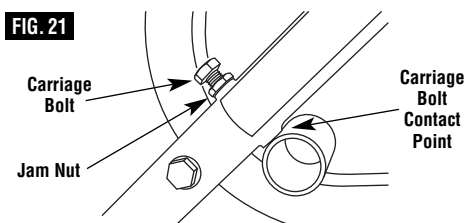


FIG. 21

Maintenance

⚠ WARNING To reduce the risk of injury, periodically check that all fasteners are attached and adjusted according to the assembly instructions included in this manual.

Consignes de sécurité pour le support de scie à onglet T4B

AVERTISSEMENT Lisez et comprenez toutes les instructions. Si vous ne suivez pas toutes les instructions figurant ci-dessous et dans le mode d'emploi de votre scie à onglet, vous risquez de subir des blessures personnelles graves.

Assemblez complètement et serrez toutes les pièces de fixation requises pour ce support. Souvenez-vous aussi d'inspecter occasionnellement le support et de vous assurer que les deux pièces de fixation sont toujours bien serrées. Un support dont les pièces de fixation sont desserrées est instable, et il risquerait de bouger pendant son utilisation, ce qui pourrait causer des blessures graves.

Coupez l'alimentation électrique de l'outil et débranchez-le de sa prise avant de le monter sur le support. Une mise en marche accidentelle pendant le montage risquerait de causer des blessures.

Avant de mettre votre outil en marche, assurez-vous que l'ensemble est placé sur une surface solide, plate et de niveau. Des blessures graves risqueraient de se produire si l'outil était instable et basculait.

Ne montez jamais sur l'outil ou son support, et ne l'utilisez pas à la place d'une échelle ou d'un échafaudage. Des blessures graves risqueraient de se produire si l'outil basculait ou si l'outil de coupe était mis en marche par accident. Ne rangez pas de matériels sur l'outil ou à proximité de celui-ci de telle façon qu'il soit nécessaire de monter sur l'outil ou sur son support pour les atteindre.

Utilisez seulement des pièces de rechange Bosch. L'utilisation d'autres pièces pourrait être dangereuse.

La scie à onglet doit être montée fermement sur le support conformément au mode d'emploi.

Après avoir monté la scie à onglet sur le support,

alignez, positionnez et équilibrez la scie à onglet conformément au mode d'emploi.

Avant de commencer votre travail, assurez-vous qu'aucune partie du support n'est endommagée et/ou déformée.

Avant de commencer votre travail, inspectez toutes les pièces et tous les composants du support pour vous assurer qu'ils sont installés correctement.

Lorsque vous installez la scie à onglet sur le support, assurez-vous que les poignées des pièces de fixation de l'outil sont dans la position déverrouillée (« UNLOCK »), afin que ladite pièce de fixation de l'outil s'engage sur le rail principal. Tenez la scie jusqu'à ce qu'elle soit solidement assujettie pour l'empêcher de tomber du rail principal. Puis verrouillez les poignées. (Voir les instructions détaillées à la page 21.)

Lorsque vous retirez la scie à onglet du support, tirez sur les poignées des pièces de fixation de l'outil jusqu'à ce qu'elles tournent et atteignent la position déverrouillée (« UNLOCK »). Tenez fermement la scie à onglet pour l'empêcher de tomber du rail principal. Retirez soigneusement la scie à onglet. (Voir les instructions détaillées à la page 21.)

Ne modifiez le support en aucune manière et n'utilisez pas le support dans un but autre que celui qui est indiqué dans ces instructions.

Étant donné que la coupe d'une partie du matériau risque de causer le déséquilibre du support, vérifiez toujours que le matériau est soutenu correctement. De plus, si l'ouvrage est placé de telle façon qu'il dépasse nettement du support, le côté opposé risque de se soulever soudainement en raison du déséquilibre pondéral. Pour empêcher cela de se produire, tenez fermement le côté opposé de l'ouvrage avant de commencer à couper.

Ce support de scie à onglet Gravity-Rise T4B est conçu pour être utilisé avec les scies à onglet suivantes :

D'autres outils peuvent être compatibles, mais ils n'ont pas été testés pour déterminer s'ils sont utilisables avec le système T4B.

Bosch

4212, 4212L, 4410, 4410L, 4412, 4405, 5412L, 3912, 3915, 3918, 3924

Delta

36-255, 36-255L, 36-240, MS450

DeWalt

DW712, DW705S, DW703, DW708, DW706, DW718, DW715, DW716, DW709

Makita

LS1214, LS1221, LS1013, LS1212, MS1214F

Milwaukee

6497-6

Ridgid

MS1065LZ, MS1250LZ

Ryobi

TS1353DXL, TS1341, TS1552

Préassemblage

Vous avez acheté un support de scie à onglet Bosch T4B conçu pour une utilisation sur le chantier. Ce support s'installe et se replie rapidement, et il est facile à charger ou à décharger par une seule personne dans un camion ou une camionnette.

OUTILS NÉCESSAIRES :

Tournevis à pointe cruciforme, clé à fourche de 10 mm, clé à fourche de 13 mm, clé à fourche de 17 mm et clé à molette.

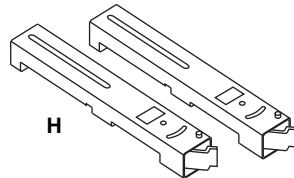
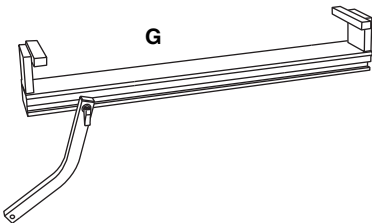
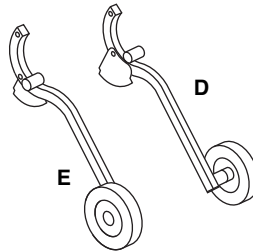
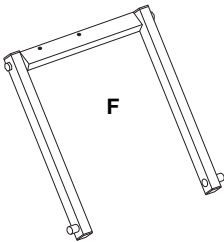
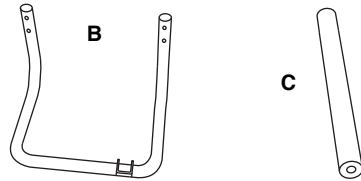
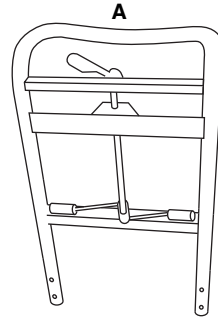
AVANT DE COMMENCER À ASSEMBLER

CE SUPPORT DE SCIE À ONGLET :

Triez et identifiez toutes les pièces pour vous assurer que vous disposez de tous les éléments nécessaires pour assembler votre support. Ne jetez pas les matériaux d'emballage avant d'avoir trouvé tous les composants.

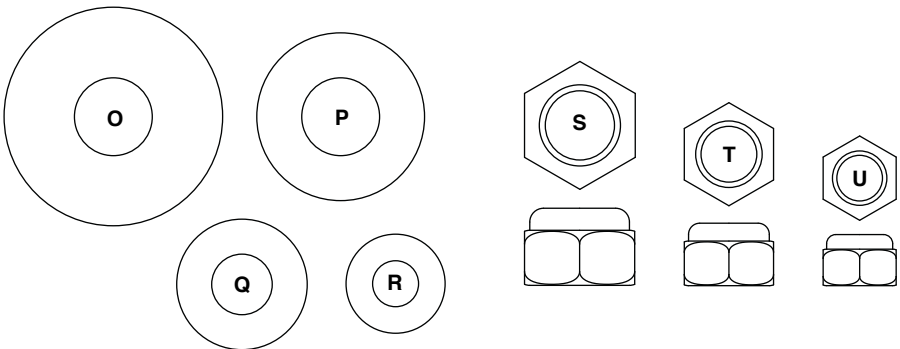
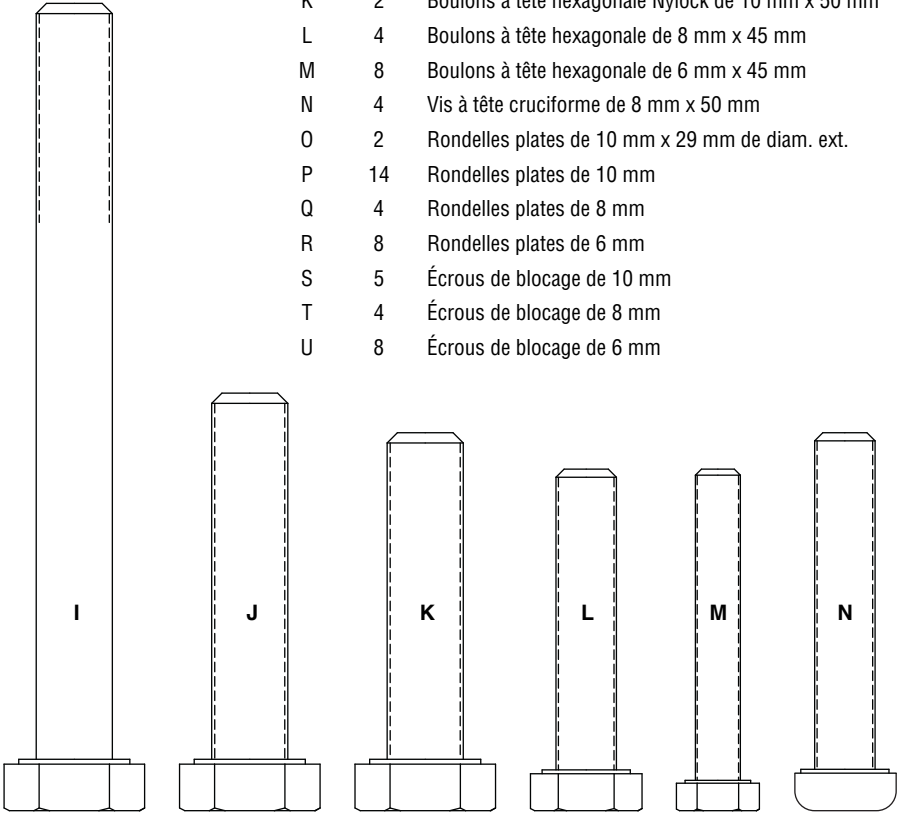
CONTENU DU PAQUET CONTENANT LE SUPPORT DE SCIE À ONGLET T4B

Article	Qté.	Description de la pièce
A	(1)	Châssis principal
B	(1)	Base tubulaire
C	(1)	Barre de poussée
D	(1)	Ensemble de roue/pied de droite
E	(1)	Ensemble de roue/pied de gauche
F	(1)	Ensemble de barre de liaison
G	(1)	Ensemble de rail/pied de soutien
H	(2)	Ensembles de pièces de fixation de l'outil



QUINCAILLERIE DE MONTAGE DU SUPPORT
(emballée dans un sac)

Article	Qté.	Description de la pièce
I	4	Boulons à tête hexagonale de 10 mm x 100 mm
J	1	Boulon à tête hexagonale de 10 mm x 55 mm
K	2	Boulons à tête hexagonale Nylock de 10 mm x 50 mm
L	4	Boulons à tête hexagonale de 8 mm x 45 mm
M	8	Boulons à tête hexagonale de 6 mm x 45 mm
N	4	Vis à tête cruciforme de 8 mm x 50 mm
O	2	Rondelles plates de 10 mm x 29 mm de diam. ext.
P	14	Rondelles plates de 10 mm
Q	4	Rondelles plates de 8 mm
R	8	Rondelles plates de 6 mm
S	5	Écrous de blocage de 10 mm
T	4	Écrous de blocage de 8 mm
U	8	Écrous de blocage de 6 mm



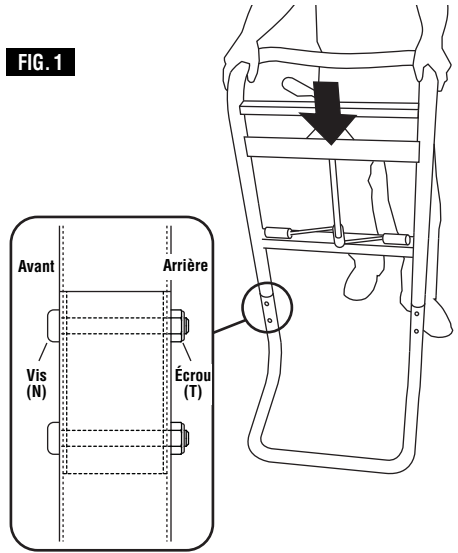
Assemblage

Première étape

Assemblage du châssis principal et de la base tubulaire

1. Positionnez la base tubulaire sur une surface plate comme illustré à la Figure 1.
2. Insérez les bouts du châssis principal dans la base tubulaire et appuyez pour les faire pénétrer dans les tubes autant que possible.
3. Insérez quatre (4) vis à tête cruciforme de 8 mm x 50 mm (N) dans les trous du châssis principal et de la base tubulaire, et serrez solidement avec quatre (4) écrous de blocage de 8 mm (T) comme illustré.

FIG. 1

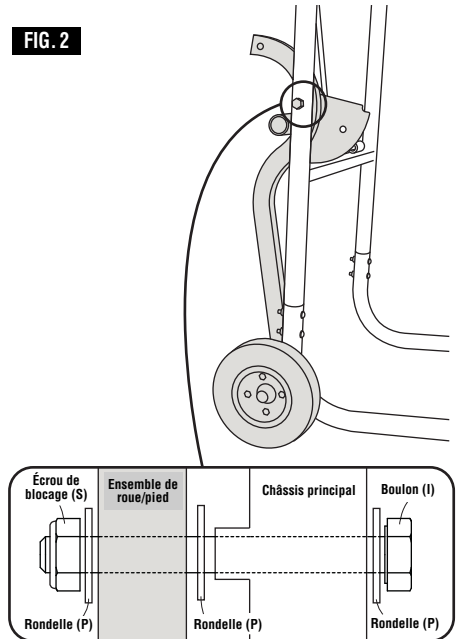


Deuxième étape

Assemblage des ensembles de roues/pieds

1. Localisez l'ensemble de roue/pied de droite (voir autocollant « R ») et positionnez-le du côté droit de l'ensemble de châssis principal/base tubulaire comme illustré à la Figure 2.
2. Placez une (1) rondelle plate de 10 mm (P) sur un (1) boulon de 10 mm x 100 mm (I), et insérez l'ensemble dans le châssis principal.
3. Placez une (1) autre rondelle plate de 10 mm (P) sur le boulon entre l'ensemble de roue/pied et le châssis principal.
4. Insérez le boulon à travers l'ensemble de roue/pied de droite, placez une (1) rondelle plate de 10 mm (P) et serrez légèrement avec un (1) écrou de blocage de 10 mm (S).

FIG. 2



Remarque : ne serrez pas excessivement l'écrou de blocage. Ces pièces doivent pouvoir tourner librement pour que le support puisse fonctionner correctement.

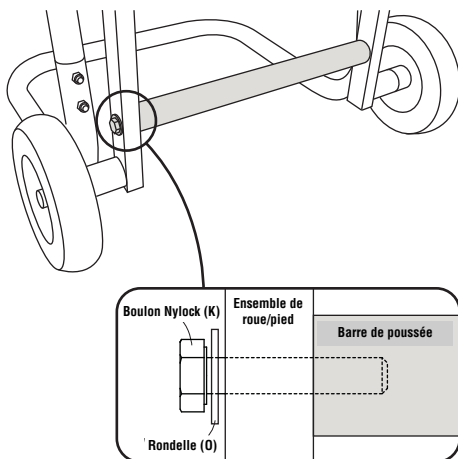
Recommencez la même procédure du côté gauche.

Troisième étape Assemblage de la barre de poussée

1. Localisez la barre de poussée et positionnez-la entre les ensembles de roues/pieds de gauche et de droite comme illustré à la Figure 3.
2. Placez une (1) rondelle plate de 10 mm x 29 mm de diam. ext. sur un (1) boulon à tête hexagonale Nylock de 10 mm x 50 mm (K). Insérez le boulon à travers l'ensemble de roue/pied et enfillez-le dans la barre de poussée, puis serrez à fond.

Recommencez la même procédure du côté opposé.

FIG. 3



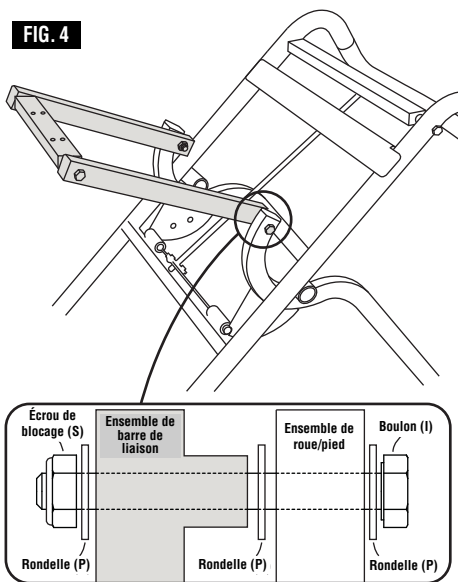
Quatrième étape Assemblage de l'ensemble de barre de liaison

1. Dépliez le support depuis la position verticale :
Avec une main sur la poignée et un pied sur la barre de poussée, tirez légèrement vers l'arrière et faites tourner le levier de dégagement afin de libérer les goupilles d'arrêt. Avec les deux mains sur la poignée, tirez vers l'arrière, appuyez vers le bas et abaissez le support jusqu'à ce qu'il se verrouille en position.
2. Localisez l'ensemble de barre de liaison et assemblez-le comme illustré à la Figure 4. Notez les autocollants « R » (droite) et « L » (gauche) pour déterminer l'orientation correcte.
3. Placez une (1) rondelle plate de 10 mm (P) sur un (1) boulon de 10 mm x 100 mm (I).
4. Insérez le boulon à travers l'ensemble de roue/pied et placez une (1) rondelle plate de 10 mm (P) sur le boulon entre l'ensemble de roue/pied et l'ensemble de barre de liaison.
5. Insérez le boulon à travers l'ensemble de barre de liaison, placez une (1) rondelle plate de 10 mm (P) et serrez légèrement avec un (1) écrou de blocage de 10 mm (S).

Remarque : ne serrez pas excessivement l'écrou de blocage. Ces pièces doivent pouvoir tourner librement pour que le support puisse fonctionner correctement.

Recommencez la même procédure du côté opposé.

FIG. 4

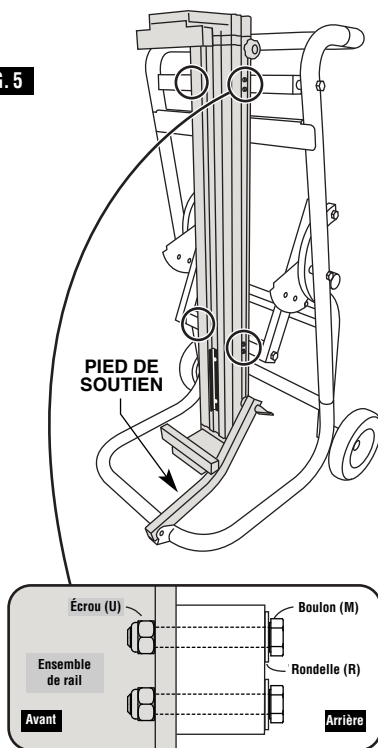


Cinquième étape

Assemblage de l'ensemble de rail

1. Localisez l'ensemble de rail et assemblez-le comme illustré à la Figure 5.
2. Pliez le support verticalement : faites tourner le levier de dégagement vers le bas pour libérer les goupilles d'arrêt. Avec les deux mains sur la poignée, tirez le support vers le haut et poussez-le vers l'avant jusqu'à ce qu'il se verrouille en position verticale (voir page 9).
3. Coupez la sangle maintenant le pied de soutien en place. Assurez-vous que le pied de soutien repose sur la base tubulaire jusqu'à ce que l'ensemble de rail soit solidement assujéti.
4. Placez une (1) rondelle plate de 6 mm (R) sur un (1) boulon de 6 mm x 45 mm (M).
5. Soulevez l'ensemble de rail et alignez-le avec les trous de la structure de soutien du rail long. Avant de fixer en place l'ensemble de rail, assurez-vous que la fenêtre d'accès aux pièces de fixation sur la structure de soutien du rail long et la barre de liaison est orientée vers le bas lorsque le support est dans sa position horizontale.
6. Insérez un (1) boulon de 6 mm x 45 mm (M) avec une rondelle plate de 6 mm (R) dans les trous de la structure de soutien du rail long et dans le rail. Serrez légèrement avec un (1) écrou de blocage de 6 mm (U).
7. Recommencez l'étape 6 de cette procédure pour les trois (3) autres emplacements des trous dans la structure de soutien du rail long et pour les quatre (4) emplacements de trous dans l'ensemble de rail de la barre de liaison.
8. Serrez à fond tous les huit (8) boulons.

FIG. 5

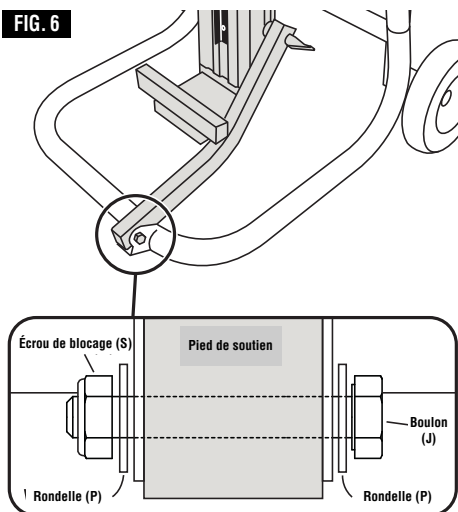


Sixième étape

Assujettissement du pied de soutien

1. Localisez le pied de soutien et assujettissez-le comme illustré à la Figure 6.
2. Placez une (1) rondelle plate de 10 mm (P) sur un (1) boulon à tête hexagonale de 10 mm x 55 mm (J).
3. Alignez le pied de soutien avec sa charnière incorporée dans la base tubulaire.
4. Insérez un (1) boulon à tête hexagonale de 10 mm x 55 mm (J) avec une rondelle plate de 10 mm (P) à travers la charnière du pied de soutien et le pied de soutien. Placez une (1) rondelle plate de 10 mm (P) et serrez avec un (1) écrou de blocage de 10 mm (S).

FIG. 6



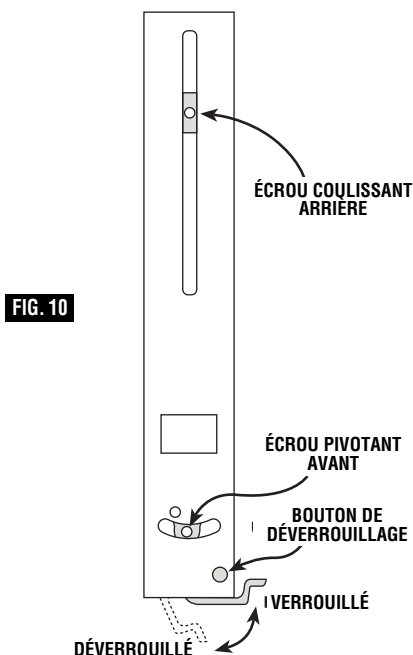
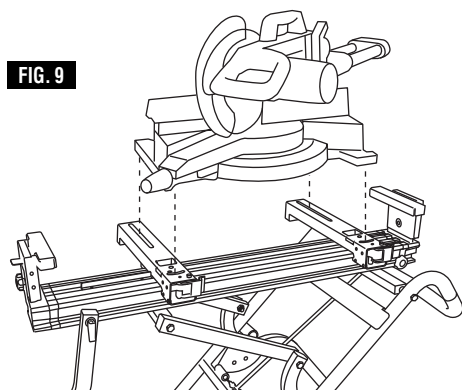
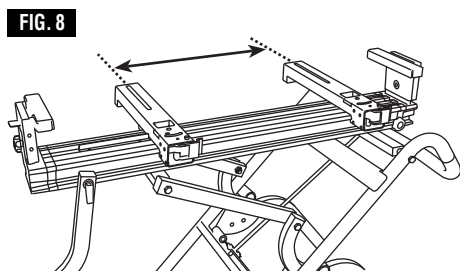
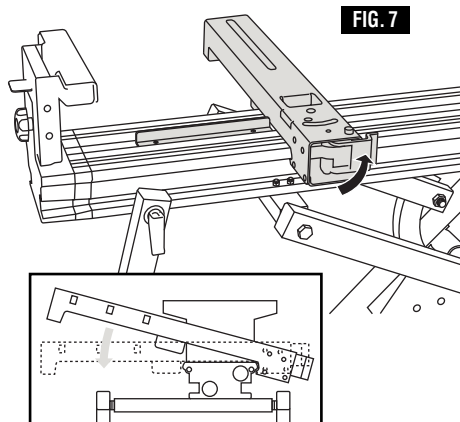
Remarque : ne serrez pas excessivement l'écrou de blocage. Ces pièces doivent pouvoir tourner librement pour que le support puisse fonctionner correctement.

Montage de la scie à onglet sur le support

Remarque : dépliez le support pour le mettre en position horizontale avant de monter la scie. (Voir les instructions à la page 9.)

1. Localisez les ensembles de pièces de fixation de l'outil, placez une (1) de ces pièces sur le rail contre la butée secondaire rouge prévue pour la pièce de fixation de l'outil et appuyez sur le levier de dégagement rouge pour le mettre dans la position verrouillée, comme illustré aux Figures 7 et 10.
2. Mesurez la largeur des trous de montage à l'arrière de la scie à onglet, placez l'autre pièce de fixation de l'outil sur le rail avec la même distance de séparation que ce qui est illustré à la Figure 8, et appuyez sur le levier de dégagement pour le mettre dans la position verrouillée.
3. Placez la scie à onglet au-dessus des pièces de fixation de l'outil (Figure 9), et alignez les trous de montage en ajustant les écrous coulissants de l'arrière et les écrous pivotants de l'avant (Figure 10). Assurez-vous que le devant de la scie est aligné avec l'avant des deux pièces de fixation de l'outil.
4. Placez une (1) rondelle plate de 8 mm (Q) sur un (1) boulon de 8 mm x 45 mm (L), insérez à travers la base de la scie à onglet et serrez légèrement dans les pièces de fixation de l'outil.
5. Recommencez la cinquième étape de cette procédure pour les trois (3) autres emplacements de trous.
6. Serrez à fond tous les quatre (4) boulons.

AVERTISSEMENT Assurez-vous que la scie est orientée correctement comme illustré sur le schéma pour faire en sorte qu'elle ne risque pas de basculer. Localisez l'autocollant d'avertissement jaune sur le support qui indique « Operate saw from this side only » (N'utilisez la scie que depuis ce côté).



Instructions d'utilisation

Pour plier le support

AVERTISSEMENT Gardez les doigts à distance des charnières lorsque vous pliez ou dépliez le support.

1. Déverrouillez le verrou à came du pied de soutien (Figure 11).
2. Faites tourner le levier de dégagement vers le bas afin de dépasser les goupilles d'arrêt (Figure 11).
3. Avec les deux mains sur la poignée, tirez vers le haut, puis poussez vers l'avant sur le stand (Figure 12), jusqu'à ce qu'il se verrouille dans la position verticale (Figure 13).

Pour déplier le support

1. Avec une main sur la poignée et un pied sur la barre de poussée, tirez légèrement vers l'arrière et faites tourner le levier de dégagement pour désengager les goupilles d'arrêt.
2. Avec les deux mains sur la poignée, tirez vers l'arrière, poussez vers le bas et abaissez le support jusqu'à ce qu'il se verrouille en position.
3. Fermez le verrou de came du pied de soutien.

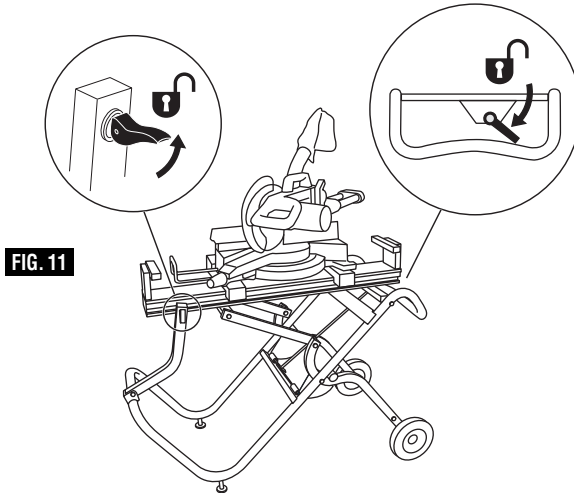


FIG. 11

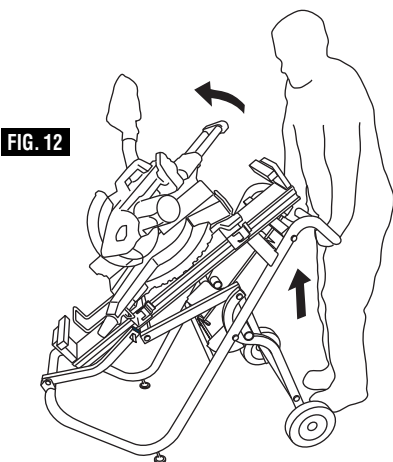


FIG. 12

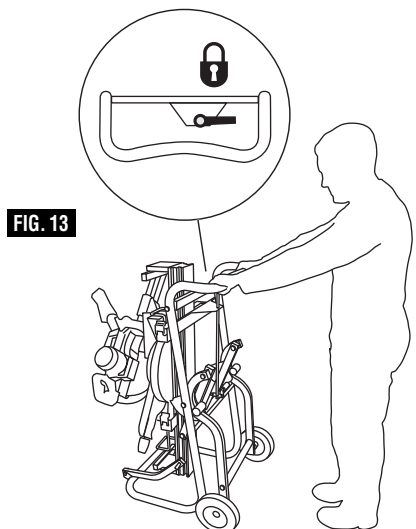


FIG. 13

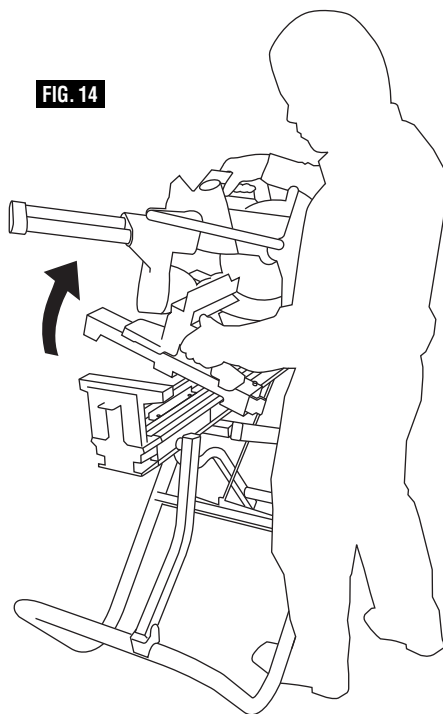
Retrait de la scie du support (avec les pièces de fixation de l'outil attachées)

1. Appuyez sur le bouton de déverrouillage sur chaque pièce de fixation de l'outil et mettez le levier de dégagement dans la position déverrouillée (voir Fig. 10, p. 19).
2. Localisez les poignées de transport à la base de la scie. Mettez une main sur la poignée du bas de la scie et l'autre sur la poignée du haut de la scie, comme illustré à la Figure 14. Tout en tenant fermement la scie, inclinez-la (avec les pièces de fixation de l'outil toujours attachées) vers vous et soulevez-la du support.

Installation de la scie sur le support (avec les pièces de fixation de l'outil attachées)

1. Assurez-vous que les leviers de dégagement des pièces de fixation de l'outil sur chaque pièce de fixation sont dans la position ouverte et déverrouillée (voir Fig. 10, p. 19).
2. Localisez les poignées de transport à la base de la scie. Mettez une main sur la poignée du bas de la scie et l'autre sur la poignée du haut de la scie. Soulevez la scie jusqu'au niveau de l'ensemble de rail.
3. Alignez la pièce de fixation de l'outil de gauche à côté (aussi près possible) de la butée secondaire rouge sur l'ensemble de rail.
4. Inclinez la scie jusqu'à ce que les mâchoires du devant des deux pièces de fixation de l'outil soient engagées sur le rail. Avec les deux mains sur les poignées de la scie, guider la scie à nouveau vers sa position de niveau sur le rail (voir Figure 7, p. 19).
5. Appuyez sur le levier de dégagement sur chaque pièce de fixation de l'outil pour le mettre dans la position verrouillée.

FIG. 14



⚠ AVERTISSEMENT Assurez-vous que les leviers des deux pièces de fixation de l'outil sont dans la position verrouillée avant de mettre la scie en marche ou de la transporter.

Réglage du rail de rallonge

1. Desserrez le bouton de verrouillage situé le long du côté de l'ensemble de rail, comme illustré à la Figure 15.
2. Allongez le rail de rallonge à la longueur désirée et serrez à nouveau le bouton de verrouillage avant de commencer à travailler.
3. Recommencez la même procédure pour le côté opposé.

Réglage du mécanisme de soutien de la hauteur de travail

1. Desserrez le bouton de verrouillage situé au bout du rail de rallonge, comme illustré à la Figure 16, et élevez le mécanisme de soutien de la hauteur de travail de façon qu'il soit de niveau avec le dessus de la table sur laquelle la scie à onglet est installée.
2. Serrez à nouveau le bouton et recommencez la même procédure pour le côté opposé.

Réglage de la butée répétitive

Pour élever la butée répétitive : soulevez-la et mettez-la en place comme illustré à la Figure 17.

Pour la rétracter : poussez la butée répétitive vers l'ensemble de rail et vers le bas.

Recommencez la même procédure pour le côté opposé.

Réglage du levier de la came

Au cas où le levier de la came pour le pied de soutien se desserrerait progressivement, serrez comme illustré à la Figure 18.

1. Placez le levier de la came dans la position « Locked » (Verrouillée).
2. Insérez un tournevis à lame plate entre le bas de l'écrou Nylock M8 et le rail.
3. Faites tourner le levier de la came dans le sens des aiguilles d'une montre pour serrer et dans le sens contraire des aiguilles d'une montre pour desserrer afin d'assurer la stabilité du pied de soutien et la sensation tactile appropriée.

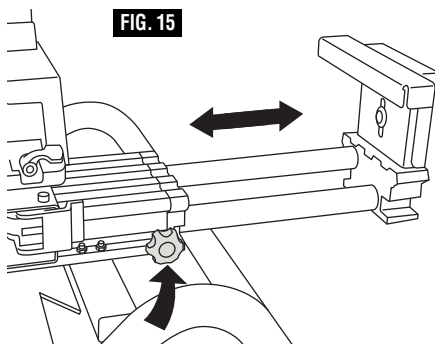


FIG. 15

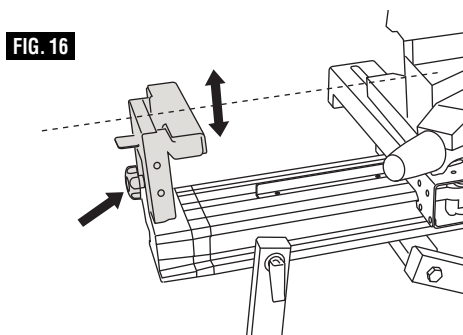


FIG. 16

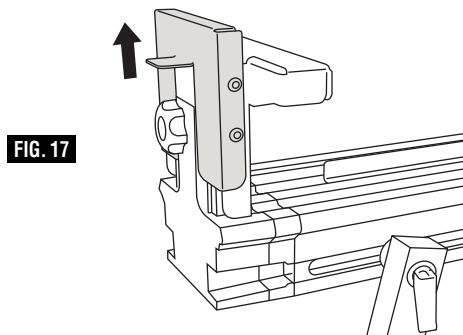


FIG. 17

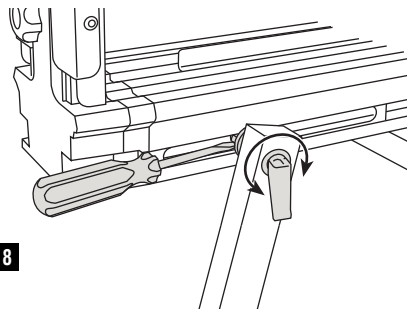


FIG. 18

Mise de niveau du support

Le support est équipé de deux pieds réglables pour changer la hauteur du support, comme illustré à la Figure 19.

Pour régler : desserrez l'écrou à oreilles et réglez la hauteur du pied en vissant l'arbre fileté dans le sens des aiguilles d'une montre pour élever le pied ou dans le sens contraire des aiguilles d'une montre pour abaisser le pied. Serrez à nouveau l'écrou à oreilles à fond.

Capacité de réglage du support

Pour assurer l'engagement approprié des goupilles de blocage afin d'assurer un fonctionnement stable et sans danger, le réglage suivant a été incorporé à l'usine avant l'expédition de votre T4B. Au cas où d'autres réglages seraient nécessaires, l'utilisateur pourrait y procéder rapidement et facilement.

Pour déterminer le besoin de réglage, dépliez le support conformément à l'illustration de la page 20.

Une fois le support déplié, les deux goupilles de blocage, celle de gauche et celle de droite, doivent être sorties autant que possible sans qu'il n'existe d'écart entre la goupille de blocage et le bord de la plaque, comme on peut le voir à la Figure 20. Si une goupille n'est pas complètement sortie, suivez les étapes 1 à 3 pour effectuer le réglage nécessaire.

1. En vous servant d'une clé, desserrez le contre-écrou de chaque côté du support d'un quart de tour seulement (figure 21).
2. Ensuite, serrez le boulon de carrosserie côté du support qui est caractérisé par un écart entre la goupille de blocage et le bord de la plaque. Si ce serrage a pour effet de produire un alignement encore plus mauvais du support, essayez dans ce cas de desserrer le boulon de l'autre côté. Continuez à le desserrer des deux côtés selon les besoins jusqu'à ce que les composants s'alignent et que les deux goupilles de blocage soient complètement étendues.
3. À l'issue de l'alignement, serrez le contre-écrou de chaque côté.

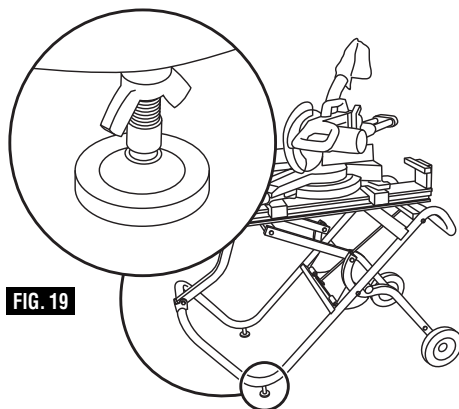


FIG. 19

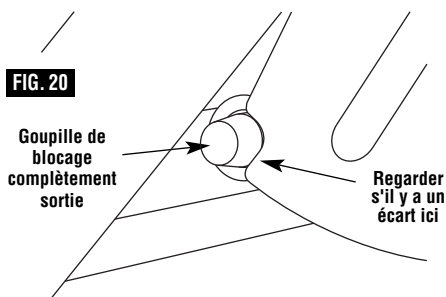


FIG. 20

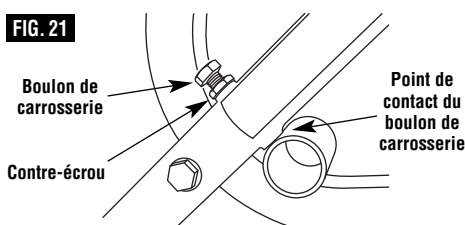


FIG. 21

Entretien

⚠ AVERTISSEMENT Pour réduire le risque de blessure, vérifiez périodiquement que tous les dispositifs de fixation sont attachés et ajustés conformément aux instructions d'assemblage incluses dans ce manuel.

Instrucciones de seguridad para la base de soporte para sierras para cortar ingletes T4B



ADVERTENCIA

Lea y entienda todas las instrucciones. Si no se siguen

todas las instrucciones que aparecen a continuación y en el manual de la sierra para cortar ingletes, el resultado podría ser lesiones corporales graves.

Ensamble y apriete completamente todos los elementos de sujeción requeridos para esta base de soporte. Recuerde también comprobar ocasionalmente la base de soporte y asegurarse de que siga estando apretada. Una base de soporte floja es inestable y podría desplazarse durante el uso y causar lesiones graves.

Ponga el interruptor de la herramienta en la posición de apagado y desconecte la alimentación eléctrica antes de realizar el montaje en la base de soporte. Un arranque accidental durante el ensamblaje puede causar lesiones.

Antes de utilizar la herramienta, asegúrese de que toda la unidad esté colocada sobre una superficie sólida, plana y nivelada. Se podrían producir lesiones graves si la herramienta con la base de soporte es inestable y vuelca.

No se suba nunca a la herramienta ni a su base de soporte, ni use la herramienta o la base de soporte como una escalera de mano o un andamio. Se podrían producir lesiones graves si la herramienta vuelca o si se entra en contacto accidentalmente con la herramienta de corte. No almacene materiales en la herramienta ni cerca de ella, de manera que sea necesario subirse a la herramienta o a su base de soporte para llegar a dichos materiales.

Utilice únicamente piezas de repuesto Bosch. Cualquier otra pieza podría crear un peligro.

La sierra para cortar ingletes se debe montar firmemente en la base de soporte de acuerdo con el manual de instrucciones.

Después de montar la sierra para cortar ingletes en la

base de soporte, alinee, posicione y equilibre la sierra para cortar ingletes de acuerdo con el manual de instrucciones.

Antes de la utilización, verifique que todas las piezas de la base de soporte estén libres de daños y/o deformaciones.

Antes de la utilización, verifique que todas las piezas o componentes de la base de soporte estén instalados apropiadamente.

Cuando monte la sierra para cortar ingletes en la base de soporte, asegúrese de que las asas de las monturas para herramienta estén en la posición "DESBLOQUEADA", de manera que la montura para herramienta se acople con el riel principal. Asegúrese de sujetar la sierra hasta que esté segura, para evitar que se caiga del riel principal. Después de esto, las asas se deben bloquear. (Consulte la página 32 para obtener instrucciones detalladas.)

Cuando retire la sierra para cortar ingletes de la base de soporte, tire de las asas de las monturas para herramienta hasta que roten hasta la posición "DESBLOQUEADA". Sujete firmemente la sierra para cortar ingletes para evitar que se caiga del riel principal. Retire cuidadosamente la sierra para cortar ingletes. (Consulte la página 32 para obtener instrucciones detalladas.)

No modifique la base de soporte de ninguna manera ni la use para propósitos que no sean los que se indican en estas instrucciones.

Debido a que el material que se esté cortando puede hacer que la base de soporte se desequilibre, asegúrese siempre de que el material esté soportado apropiadamente. Además, si la pieza que se esté cortando se coloca mucho más allá del soporte para la pieza de trabajo, el lado opuesto se podría levantar repentinamente debido a un desequilibrio de peso. Para evitar que esto ocurra, sujete firmemente el lado opuesto antes de cortar.

Esta base de soporte para sierras para cortar ingletes de elevación por gravedad Gravity-Rise T4B está diseñada para utilizarse con las siguientes sierras para cortar ingletes:

Otras unidades pueden ser compatibles, pero no han sido verificadas para utilizarse con el sistema T4B.

Bosch

4212, 4212L, 4410, 4410L, 4412, 4405, 5412L, 3912, 3915, 3918, 3924

Delta

36-255, 36-255L, 36-240, MS450

DeWalt

DW712, DW705S, DW703, DW708, DW706, DW718, DW715, DW716, DW709

Makita

LS1214, LS1221, LS1013, LS1212, MS1214F

Milwaukee

6497-6

Ridgid

MS1065LZ, MS1250LZ

Ryobi

TS1353DXL, TS1341, TS1552

Preensamblaje

Usted ha comprado una base de soporte para sierras para cortar ingletes Bosch T4B, diseñada para utilizarse en el lugar de la obra. Esta unidad se despliega y se pliega rápidamente, y es fácil de cargar o descargar de un camión por una persona.

HERRAMIENTAS NECESARIAS:

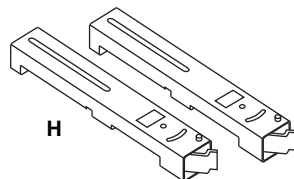
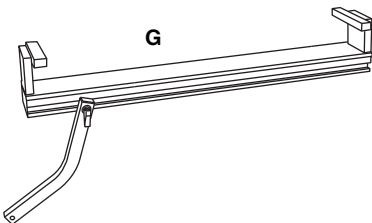
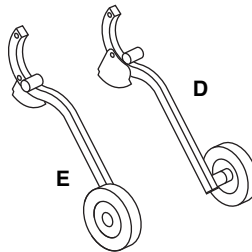
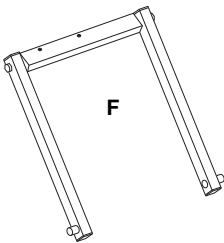
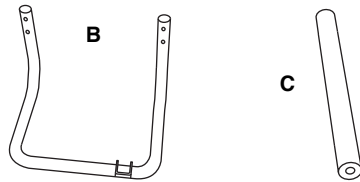
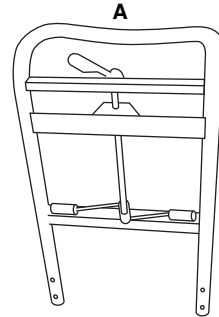
Destornillador Phillips, llave de tuerca de boca de 10 mm, llave de tuerca de boca de 13 mm, llave de tuerca de boca de 17 mm y llave de tuerca ajustable.

ANTES DE QUE USTED ENSEMBLE ESTA BASE DE SOPORTE PARA SIERRAS PARA CORTAR INGLETES:

Organice todas las piezas y compruebe que no falte ninguna pieza, para asegurarse de que tiene todos los materiales necesarios para ensamblar la base de soporte. No deseche el material de empaquetamiento hasta que se haya asegurado de que no falta ninguna pieza.

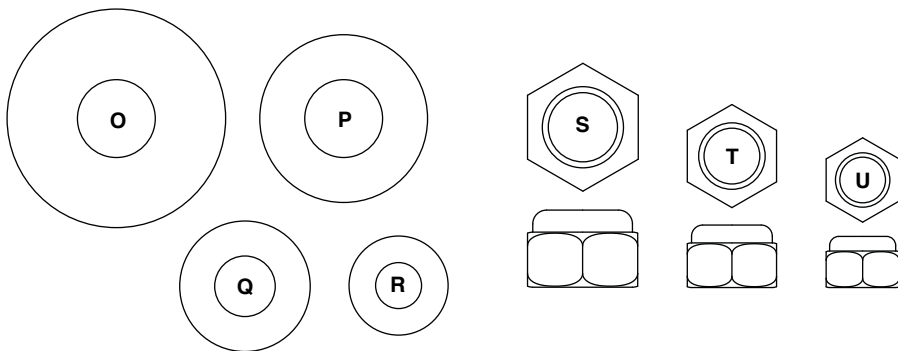
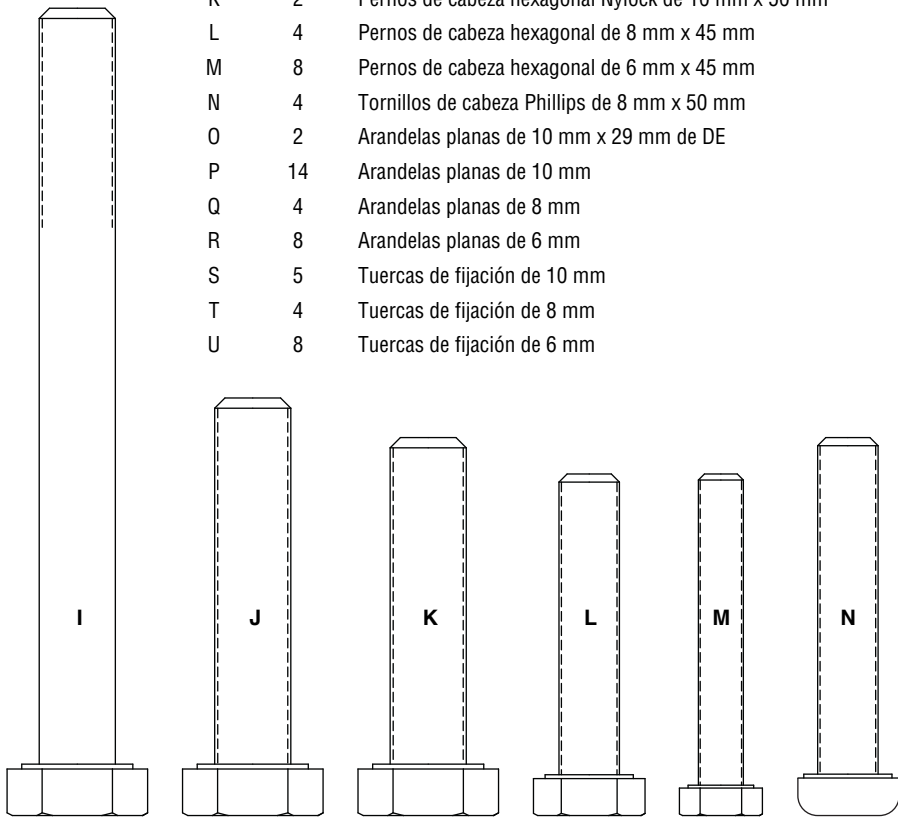
CONTENIDO DEL PAQUETE DE LA BASE DE SOPORTE PARA SIERRAS PARA CORTAR INGLETES T4B:

Artículo	Cant.	Descripción de la pieza
A	(1)	Armazón principal
B	(1)	Tubo de la base
C	(1)	Barra antirretroceso
D	(1)	Ensamblaje de rueda y pata derecho
E	(1)	Ensamblaje de rueda y pata izquierdo
F	(1)	Ensamblaje de unión de soporte
G	(1)	Ensamblaje de riel y pata de soporte
H	(2)	Ensamblajes de montura para herramienta



**HERRAJES DEL ENSAMBLAJE DE LA BASE DE SOPORTE
(empacados en una bolsa)**

Artículo	Cant.	Descripción de la pieza
I	4	Pernos de cabeza hexagonal de 10 mm x 100 mm
J	1	Perno de cabeza hexagonal de 10 mm x 55 mm
K	2	Pernos de cabeza hexagonal Nylock de 10 mm x 50 mm
L	4	Pernos de cabeza hexagonal de 8 mm x 45 mm
M	8	Pernos de cabeza hexagonal de 6 mm x 45 mm
N	4	Tornillos de cabeza Phillips de 8 mm x 50 mm
O	2	Arandelas planas de 10 mm x 29 mm de DE
P	14	Arandelas planas de 10 mm
Q	4	Arandelas planas de 8 mm
R	8	Arandelas planas de 6 mm
S	5	Tuercas de fijación de 10 mm
T	4	Tuercas de fijación de 8 mm
U	8	Tuercas de fijación de 6 mm



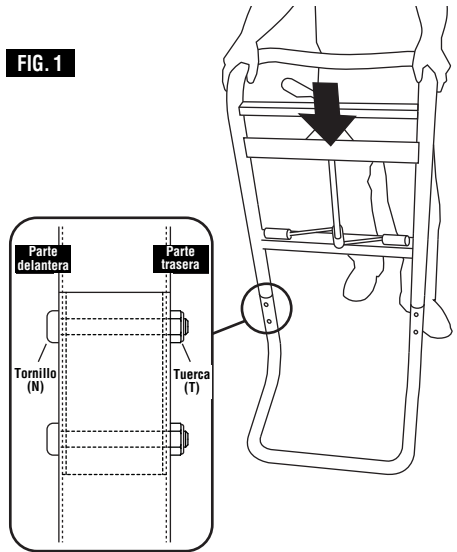
Ensamblaje

Paso 1

Acople el armazón principal y el tubo de la base

1. Posicione el tubo de la base sobre una superficie plana de la manera que se muestra en la figura 1.
2. Introduzca los extremos del armazón principal en el tubo de la base y empuje el armazón hacia abajo para que entre tanto como sea posible.
3. Introduzca cuatro (4) tornillos de cabeza Phillips de 8 mm x 50 mm (N) a través de los agujeros del armazón principal y el tubo de la base, y apriételos firmemente con cuatro (4) tuercas de fijación de 8 mm (T) de la manera que se muestra en la ilustración.

FIG. 1

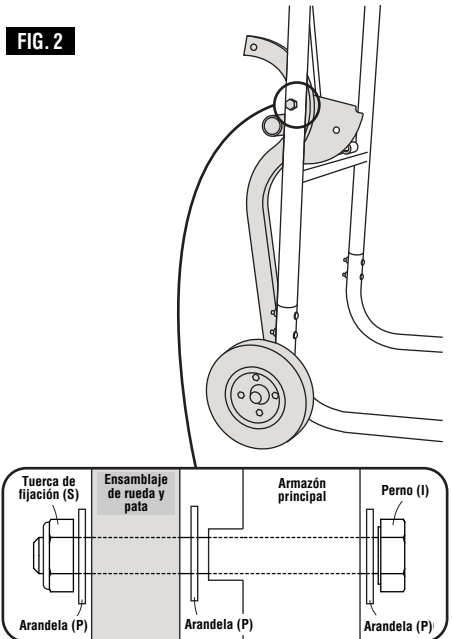


Paso 2

Instale los ensamblajes de rueda y pata

1. Localice el ensamblaje de rueda y pata derecho (vea la etiqueta adhesiva "R") y posicónelo en el lado derecho del ensamblaje de armazón principal y tubo de la base, de la manera que se muestra en la figura 2.
2. Coloque una (1) arandela plana de 10 mm (P) en un (1) perno de 10 mm x 100 mm (I) e introduzca el perno a través del armazón principal.
3. Coloque otra (1) arandela plana de 10 mm (P) en el perno entre el ensamblaje de rueda y pata y el armazón principal.
4. Introduzca el perno a través del ensamblaje de rueda y pata derecho, coloque una (1) arandela plana de 10 mm (P) y apriete flojamente el perno con una (1) tuerca de fijación de 10 mm (S).

FIG. 2



Nota: No apriete excesivamente la tuerca de fijación. Estas piezas necesitan rotar libremente para que la base de soporte funcione correctamente.

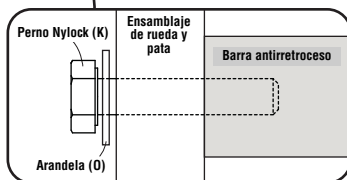
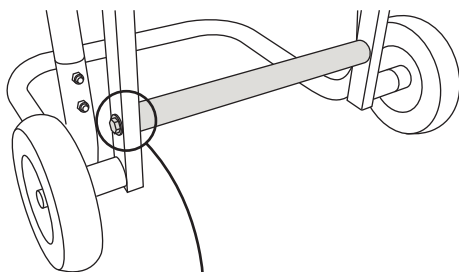
Repita el procedimiento en el lado izquierdo.

Paso 3 Instale la barra antirretroceso

1. Localice la barra antirretroceso y posicónela entre los ensamblajes de rueda y pata izquierdo y derecho de la manera que se muestra en la figura 3.
2. Coloque una (1) arandela plana de 10 mm x 29 mm de D.E. (O) en un (1) perno de cabeza hexagonal Nylock de 10 mm x 50 mm (K). Inserte el perno a través del ensamblaje de rueda y pata, enrósquelo en la barra antirretroceso y apriételo firmemente.

Repita este procedimiento para el lado opuesto.

FIG. 3



Paso 4 Instale el ensamblaje de unión de soporte

1. Despliegue la base de soporte desde la posición vertical:

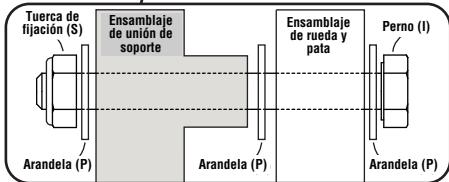
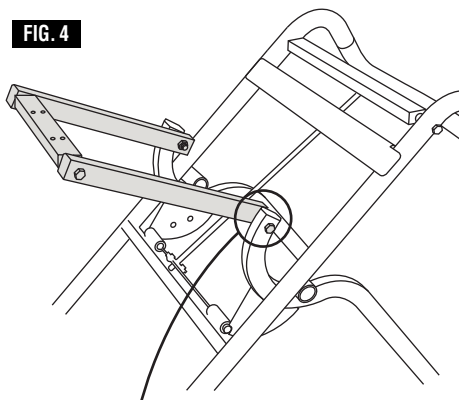
Con una mano en el asa y un pie sobre la barra antirretroceso, tire ligeramente del asa hacia atrás y rote la palanca de liberación para desacoplar las espigas de fijación. Con las dos manos en el asa, tire hacia atrás, empuje hacia abajo y baje la base de soporte hasta que se bloquee en la posición correcta.

2. Localice el ensamblaje de unión de soporte y ensámblelo de la manera que se muestra en la figura 4. Fijese en las etiquetas adhesivas "R" y "L" para asegurarse de que la orientación sea correcta.
3. Coloque una (1) arandela plana de 10 mm (P) en un (1) perno de 10 mm x 100 mm (I).
4. Introduzca el perno a través del ensamblaje de rueda y pata y coloque una (1) arandela plana de 10 mm (P) en el perno entre los ensamblajes de rueda y pata y de unión de soporte.
5. Introduzca el perno a través del ensamblaje de unión de soporte, coloque una (1) arandela plana de 10 mm (P) y apriete flojamente el perno con una (1) tuerca de fijación de 10 mm (S).

Nota: No apriete excesivamente la tuerca de fijación. Estas piezas necesitan rotar libremente para que la base de soporte funcione correctamente.

Repita este procedimiento para el lado opuesto.

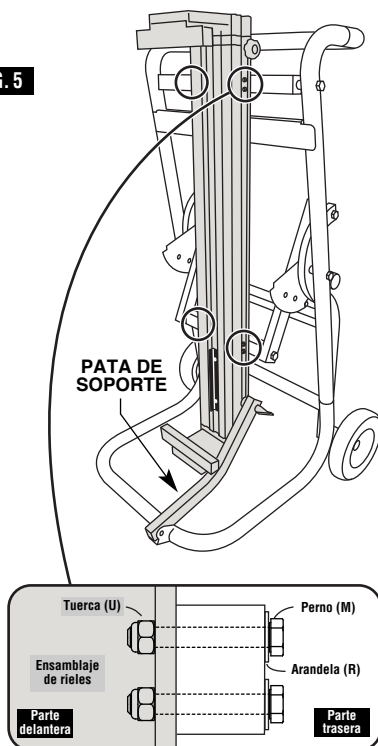
FIG. 4



Paso 5 Instale el ensamblaje de rieles

1. Localice el ensamblaje de rieles y ensámblelo de la manera que se muestra en la figura 5.
2. Pliegue la base de soporte en posición vertical: Rote la palanca de liberación hacia abajo hasta sobrepasar las espigas de fijación. Con las dos manos en el asa, tire del asa hacia arriba y empuje hacia delante sobre la base de soporte hasta que se bloquee en la posición vertical (consulte la página 9).
3. Corte la correa que restringe la pata de soporte en posición fija. Asegúrese de que la pata de soporte esté asentada sobre el tubo de la base hasta que el ensamblaje de rieles esté firmemente sujeto.
4. Coloque una (1) arandela plana de 6 mm (R) en un (1) perno de 6 mm x 45 mm (M).
5. Suba el ensamblaje de rieles y alinéelo con los agujeros ubicados en el soporte de riel largo. Antes de sujetar el ensamblaje de rieles, asegúrese de que la ventana de acceso a los elementos de sujeción, ubicada en el soporte de riel largo, y la unión de soporte estén orientados hacia abajo cuando la base de soporte esté en posición horizontal.
6. Inserte un (1) perno de 6 mm x 45 mm (M) con arandela plana de 6 mm (R) a través de los agujeros del soporte de riel largo y el riel. Apriete flojamente el perno con una (1) tuerca de fijación de 6 mm (U).
7. Repita el paso 6 de este procedimiento para las tres (3) ubicaciones de agujero restantes en el soporte de riel largo y las cuatro (4) ubicaciones de agujero del ensamblaje de unión de soporte.
8. Apriete firmemente los ocho (8) pernos.

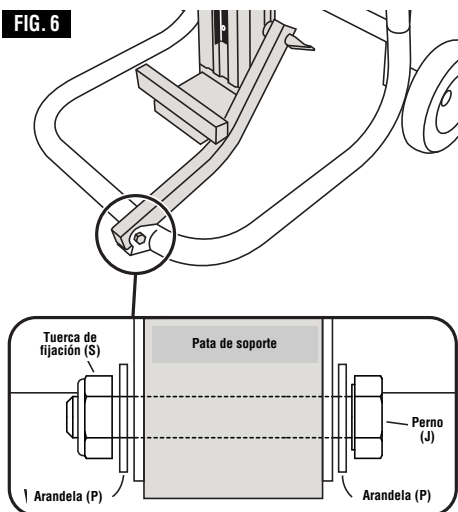
FIG. 5



Paso 6 Sujete firmemente la pata de soporte

1. Localice la pata de soporte y sujétela firmemente de la manera que se muestra en la figura 6.
2. Coloque una (1) arandela plana de 10 mm (P) en un (1) perno de cabeza hexagonal de 10 mm x 55 mm (J).
3. Alinee la pata de soporte, con su bisagra incorporada, en el tubo de la base.
4. Introduzca un (1) perno de cabeza hexagonal de 10 mm x 55 mm (J) con una arandela plana de 10 mm (P) a través de la bisagra de la pata de soporte y la pata de soporte. Coloque una (1) arandela plana de 10 mm (P) y apriete el perno con una (1) tuerca de fijación de 10 mm (S).

FIG. 6



Nota: No apriete excesivamente la tuerca de fijación. Estas piezas necesitan rotar libremente para que la base de soporte funcione correctamente.

Montaje de una sierra para cortar ingletes en la base de soported

Nota: Despliegue la base de soporte hasta la posición horizontal antes de montar la sierra. (Consulte la página 9 para obtener instrucciones.)

1. Localice los ensamblajes de montura para herramienta, coloque uno (1) de ellos sobre el riel con el tope secundario rojo de la montura para herramienta y empuje la palanca de liberación roja hasta la posición bloqueada, de la manera que se muestra en las figuras 7 y 10.
2. Mida la anchura de los agujeros de montaje traseros de la sierra para cortar ingletes, coloque la otra montura para herramienta sobre el riel con la misma distancia de separación, de la manera que se muestra en la figura 8, y empuje la palanca de liberación hasta la posición bloqueada.
3. Coloque la sierra para cortar ingletes sobre las monturas para herramienta, figura 9, y alinee los agujeros de montaje ajustando las tuercas deslizantes traseras y las tuercas basculantes delanteras, figura 10. Asegúrese de que la parte delantera de la sierra esté alineada con la parte delantera de ambas monturas para herramienta.
4. Coloque una (1) arandela plana de 8 mm (Q) en un (1) perno de 8 mm x 45 mm (L), inserte el perno a través de la base de la sierra para cortar ingletes y apriételo flojamente en la montura para herramienta.
5. Repita el paso 5 de este procedimiento para las tres (3) ubicaciones de agujero restantes.
6. Apriete firmemente los cuatro (4) pernos.

⚠ WARNING Asegúrese de que la sierra esté orientada apropiadamente, de la manera que se muestra en el diagrama, para evitar cualquier peligro de vuelco. Busque la etiqueta de advertencia amarilla ubicada en la base de la sierra que dice "operate saw from this side only" (utilice la sierra solamente desde este lado).

FIG. 9

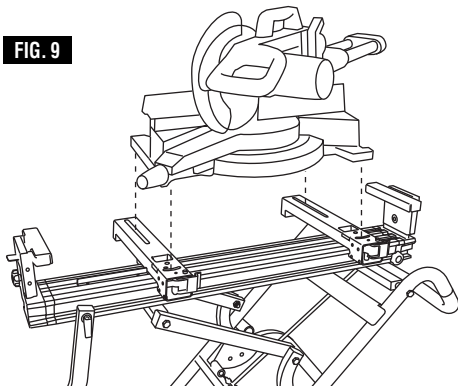


FIG. 7

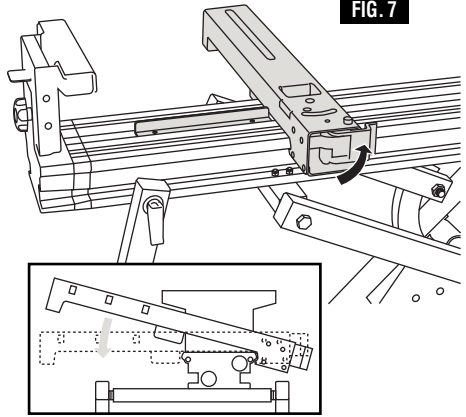


FIG. 8

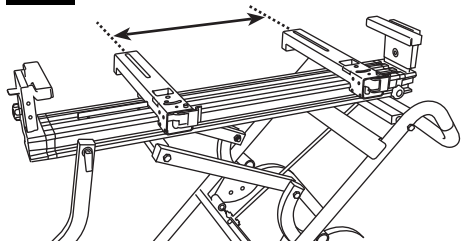
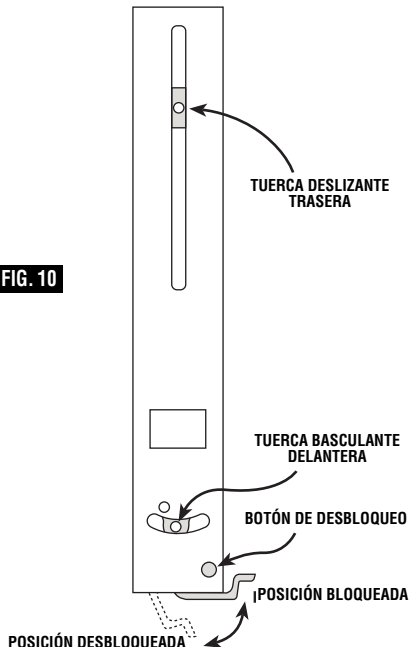


FIG. 10



Instrucciones de utilización

Pliegue la base de soporte



ADVERTENCIA Mantenga los dedos alejados de los puntos de bisagra cuando pliegue o despliegue la base de soporte.

1. Desbloquee el cierre de leva de la pata de soporte, figura 11.
2. Rote hacia abajo la palanca de liberación hasta sobrepasar las espigas de fijación, figura 11.
3. Con las dos manos en el asa, tire hacia arriba del asa y empuje hacia delante sobre la base de soporte, figura 12, hasta que se bloquee en la posición vertical, figura 13.

Despliegue la base de soporte

1. Con una mano en el asa y un pie en la barra antirretroceso, tire ligeramente hacia atrás y rote la palanca de liberación para desacoplar las espigas de fijación.
2. Con las dos manos en el asa, tire hacia atrás, empuje hacia abajo y baje la base de soporte hasta que se bloquee en la posición correcta.
3. Bloquee hacia abajo el cierre de leva de la pata de soporte.

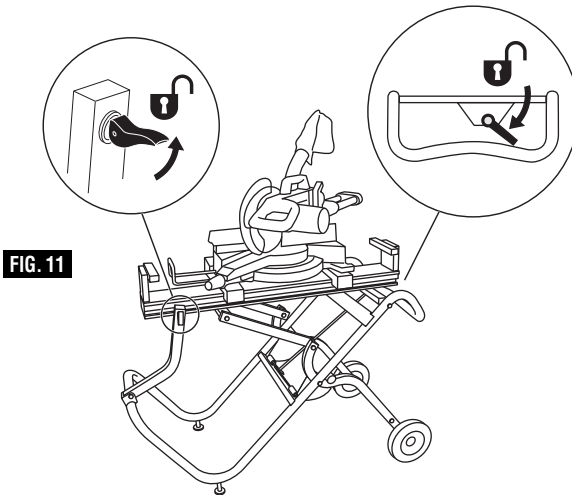


FIG. 11

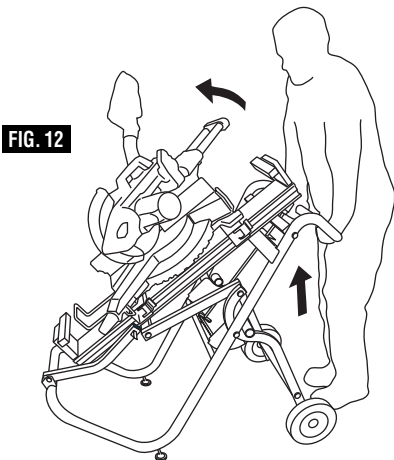


FIG. 12

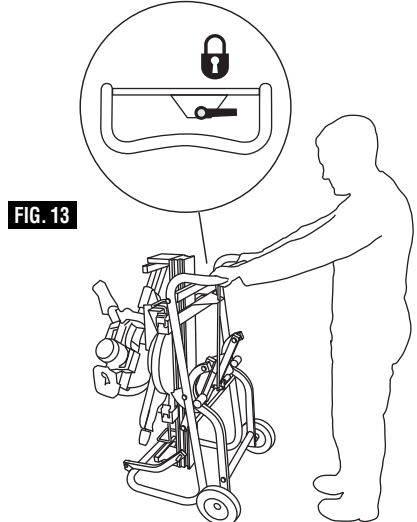


FIG. 13

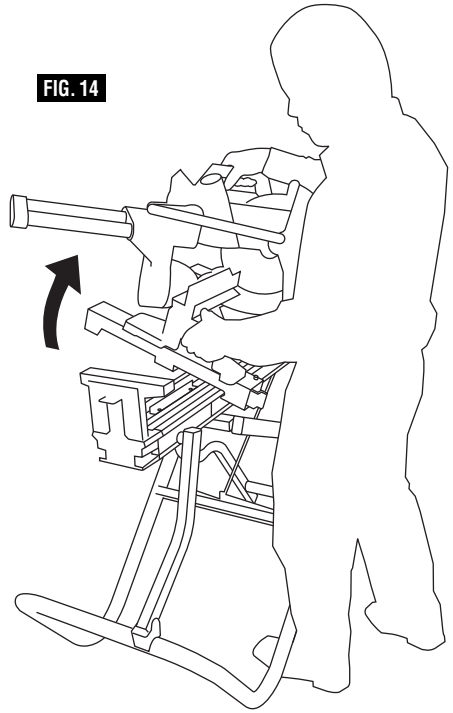
Retire la sierra de la base de soporte (con las monturas para herramienta acopladas)

1. Oprima el botón de desbloqueo ubicado en cada montura para herramienta y abra la palanca de liberación hasta la posición desbloqueada (vea la fig. 10, p30).
2. Localice las asas de transporte ubicadas en la base de la sierra. Coloque una mano en el asa de la base de la sierra y la otra mano en el asa superior de la sierra, de la manera que se muestra en la figura 14. Sujetando firmemente, incline la sierra (con las monturas para herramienta aún acopladas) hacia usted y levántela de la base de soporte.

Instale la sierra en la base de soporte (con las monturas para herramienta acopladas)

1. Asegúrese de que las palancas de liberación de las monturas para herramienta ubicadas en cada montura estén en la posición abierta y desbloqueada (vea la fig. 10, p30).
2. Localice las asas de transporte ubicadas en la base de la sierra. Coloque una mano en el asa de la base de la sierra y la otra mano en el asa superior de la sierra. Levante la sierra hasta el ensamblaje de rieles.
3. Alinee la montura para herramienta izquierda junto al tope secundario rojo sobre el ensamblaje de rieles, lo más cerca posible.
4. Incline la sierra hasta que las mandíbulas delanteras de ambas monturas para herramienta estén acopladas en el riel. Con las dos manos en las asas de la sierra, guíe la sierra de vuelta a su posición nivelada sobre el riel (vea la fig. 7, p30).
5. Empuje la palanca de liberación ubicada en cada montura para herramienta hasta la posición bloqueada.

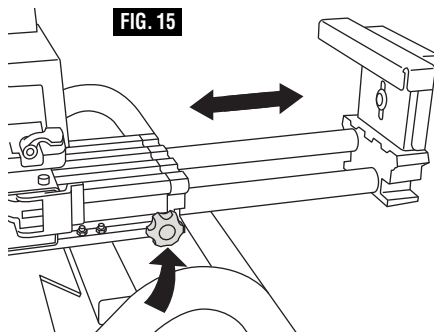
FIG. 14



⚠ ADVERTENCIA Asegúrese de que las palancas de las dos monturas para herramienta estén en la posición bloqueada antes de utilizar o transportar la sierra.

Ajuste del riel de expansión

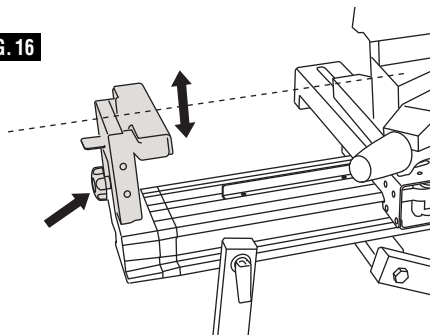
1. Afloje el pomo de fijación ubicado a lo largo del lado del ensamblaje de rieles, de la manera que se muestra en la figura 15.
2. Extienda el riel de expansión hasta la longitud deseada y reapriete el pomo de fijación antes de comenzar el trabajo.
3. Repita el proceso para el lado opuesto.



Ajuste del soporte de la altura de trabajo

1. Afloje el pomo de fijación ubicado en el extremo del riel de expansión, de la manera que se muestra en la figura 16, y suba el soporte de la altura de trabajo hasta que esté nivelado con el tablero de la mesa de la sierra para cortar ingletes instalada en la base de soporte.
2. Reapriete el pomo y repita el proceso en el lado opuesto.

FIG. 16



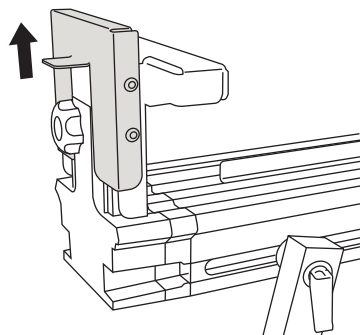
Ajuste del tope repetitivo

Para subir el tope repetitivo: Levántelo y colóquelo en la posición deseada de la manera que se muestra en la figura 17.

Para almacenar el tope repetitivo: Empuje el tope repetitivo hacia dentro, hacia el ensamblaje de rieles, y hacia abajo.

Repita el proceso en el lado opuesto.

FIG. 17

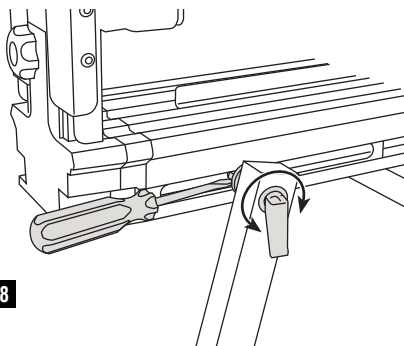


Ajuste de la palanca de leva

En caso de que la palanca de leva de la pata de soporte se afloje con el tiempo, apriétela de la manera que se muestra en la figura 18.

1. Coloque la palanca de leva en la posición "bloqueada".
2. Inserte un destornillador de hoja plana entre la parte inferior de la tuerca Nylock M8 y el riel.
3. Rote la palanca de leva en el sentido de las agujas del reloj para apretarla y en sentido contrario al de las agujas del reloj para aflojarla, con el fin de lograr la sensación y estabilidad apropiadas de la pata de soporte.

FIG. 18



Para nivelar la base de soporte

La base de soporte está equipada con dos pies ajustables para nivelarla, de la manera que se muestra en la figura 19.

Para ajustar la base de soporte: Afloje la tuerca de mariposa y ajuste la altura del pie, enroscando el eje roscado en el sentido de las agujas del reloj para subir el pie o en sentido contrario al de las agujas del reloj para bajarlo. Reapriete firmemente la tuerca de mariposa.

Ajustabilidad de la base de soporte

Para asegurar el acoplamiento apropiado de las espigas de fijación con el fin de lograr una operación segura y estable, el siguiente ajuste se hace en la fábrica antes de enviar la T4B. En el caso de que se necesite algún ajuste adicional, el usuario puede hacerlo rápida y fácilmente.

Para comprobar si es necesario hacer algún ajuste, despliegue la base de soporte de la manera que se muestra en la página 31.

Cuando la base de soporte esté desplegada, las espigas de fijación tanto izquierda como derecha deben estar completamente extendidas sin que haya holgura entre la espiga de fijación y el borde de la placa, de la manera que se muestra en la figura 20. Si una espiga no está completamente extendida, siga los pasos 1 a 3 para ajustarla.

1. Utilizando una llave de tuerca, afloje la contratuerca ubicada a cada lado de la base de soporte un cuarto de vuelta solamente (figura 21).

2. Luego, apriete el perno de carruaje ubicado en el lado de la base de soporte que tiene la holgura entre la espiga de fijación y el borde de la placa. Si esto desalinea más la base de soporte, en lugar de ello pruebe a aflojar el perno ubicado en el otro lado. Continúe haciendo esto en cualquiera de los dos lados hasta que los componentes queden alineados y ambas espigas estén completamente extendidas.

3. Una vez que se haya realizado la alineación completa, apriete la contratuerca ubicada a cada lado.

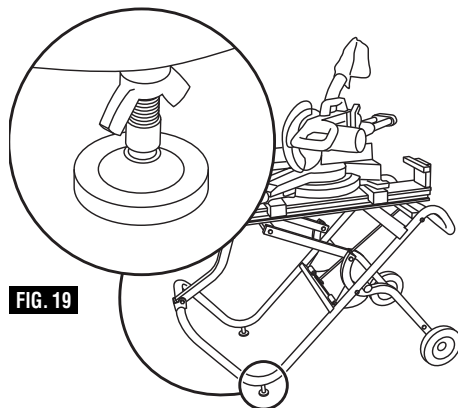


FIG. 19

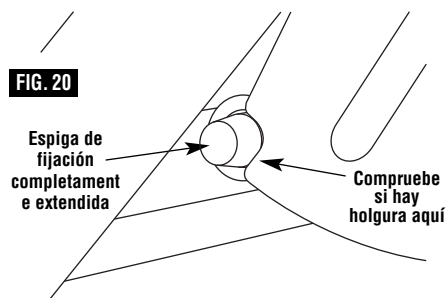


FIG. 20

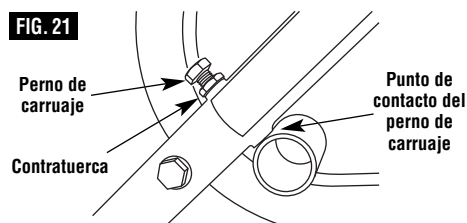


FIG. 21

Mantenimiento

ADVERTENCIA Para reducir el riesgo de lesiones, compruebe periódicamente que todos los elementos de sujeción estén sujetos y ajustados de acuerdo con las instrucciones de ensamblaje incluidas en este manual.

LIMITED WARRANTY OF BOSCH PORTABLE AND BENCHTOP POWER TOOLS

Robert Bosch Tool Corporation ("Seller") warrants to the original purchaser only, that all BOSCH portable and benchtop power tools will be free from defects in material or workmanship for a period of one year from date of purchase. SELLER'S SOLE OBLIGATION AND YOUR EXCLUSIVE REMEDY under this Limited Warranty and, to the extent permitted by law, any warranty or condition implied by law, shall be the repair or replacement of parts, without charge, which are defective in material or workmanship and which have not been misused, carelessly handled, or misrepaired by persons other than Seller or Authorized Service Station. To make a claim under this Limited Warranty, you must return the complete portable or benchtop power tool product, transportation prepaid, to any BOSCH Factory Service Center or Authorized Service Station. For Authorized BOSCH Power Tool Service Stations, please refer to your phone directory.

THIS LIMITED WARRANTY DOES NOT APPLY TO ACCESSORY ITEMS SUCH AS CIRCULAR SAW BLADES, DRILL BITS, ROUTER BITS, JIGSAW BLADES, SANDING BELTS, GRINDING WHEELS AND OTHER RELATED ITEMS.

ANY IMPLIED WARRANTIES SHALL BE LIMITED IN DURATION TO ONE YEAR FROM DATE OF PURCHASE. SOME STATES IN THE U.S., SOME CANADIAN PROVINCES DO NOT ALLOW LIMITATIONS ON HOW LONG AN IMPLIED WARRANTY LASTS, SO THE ABOVE LIMITATION MAY NOT APPLY TO YOU.

IN NO EVENT SHALL SELLER BE LIABLE FOR ANY INCIDENTAL OR CONSEQUENTIAL DAMAGES (INCLUDING BUT NOT LIMITED TO LIABILITY FOR LOSS OF PROFITS) ARISING FROM THE SALE OR USE OF THIS PRODUCT. SOME STATES IN THE U.S. AND SOME CANADIAN PROVINCES DO NOT ALLOW THE EXCLUSION OR LIMITATION OF INCIDENTAL OR CONSEQUENTIAL DAMAGES, SO THE ABOVE LIMITATION OR EXCLUSION MAY NOT APPLY TO YOU.

THIS LIMITED WARRANTY GIVES YOU SPECIFIC LEGAL RIGHTS, AND YOU MAY ALSO HAVE OTHER RIGHTS WHICH VARY FROM STATE TO STATE IN THE U.S., PROVINCE TO PROVINCE IN CANADA AND FROM COUNTRY TO COUNTRY.

THIS LIMITED WARRANTY APPLIES ONLY TO PORTABLE AND BENCHTOP ELECTRIC TOOLS SOLD WITHIN THE UNITED STATES OF AMERICA, CANADA AND THE COMMONWEALTH OF PUERTO RICO. FOR WARRANTY COVERAGE WITHIN OTHER COUNTRIES, CONTACT YOUR LOCAL BOSCH DEALER OR IMPORTER.

GARANTIE LIMITÉE DES OUTILS ÉLECTRIQUES PORTATIFS ET D'ÉTABLI BOSCH

Robert Bosch Tool Corporation (le « vendeur ») garantit à l'acheteur initial seulement que tous les outils électriques portatifs et d'établi BOSCH seront exempts de vices de matériaux ou d'exécution pendant une période d'un an depuis la date d'achat. LA SEULE OBLIGATION DU VENDEUR ET LE SEUL RECOURS DE L'ACHETEUR sous la présente garantie limitée, et en autant que la loi le permette sous toute garantie ou condition implicite qui en découlerait, sera l'obligation de remplacer ou réparer gratuitement les pièces défectueuses matériellement ou comme fabrication, pourvu que lesdites défectosités ne soient pas attribuables à un usage abusif ou à quelque réparation bricolée par quelqu'un d'autre que le vendeur ou le personnel d'une station-service agréée. Pour présenter une réclamation en vertu de cette garantie limitée, vous devez renvoyer l'outil électrique portatif ou d'établi complet, port payé, à tout centre de service agréé ou centre de service usiné. Veuillez consulter votre annuaire téléphonique pour les adresses.

LA PRÉSENTE GARANTIE NE S'APPLIQUE PAS AUX ACCESSOIRES TELS QUE LAMES DE SCIÉS CIRCULAIRES, MÈCHES DE PERCEUSES, FERS DE TOUPIES, LAMES DE SCIÉS SAUTEUSES, COURROIES DE PONÇAGE, MEULES ET AUTRES ARTICLES DU GENRE.

TOUTE GARANTIE IMPLICITE SERA LIMITÉE COMME DURÉE À UN AN À COMPTER DE LA DATE D'ACHAT. CERTAINS ÉTATS AMÉRICAINS, CERTAINES PROVINCES CANADIENNES N'ADMETTANT PAS LE PRINCIPE DE LA LIMITATION DE LA DURÉE DES GARANTIES IMPLICITES, IL EST POSSIBLE QUE LES LIMITATIONS CI-DESSUS NE S'APPLIQUENT PAS À VOTRE CAS.

EN AUCUN CAS LE VENDEUR NE SAURAIT ÊTRE TENU POUR RESPONSABLE DES INCIDENTS OU DOMMAGES INDIRECTS (INCLUANT, MAIS NE SE LIMITANT PAS AUX PERTES DE PROFITS) CONSÉCUTIFS À LA VENTE OU L'USAGE DE CE PRODUIT. CERTAINS ÉTATS AMÉRICAINS ET CERTAINES PROVINCES CANADIENNES N'ADMETTANT PAS LE PRINCIPE DE LA LIMITATION NI L'EXCLUSION DES DOMMAGES INDIRECTS ET CONSÉQUENTIELS, IL EST POSSIBLE QUE LES LIMITATIONS OU EXCLUSIONS CI-DESSUS NE S'APPLIQUENT PAS À VOTRE CAS.

LA PRÉSENTE GARANTIE VOUS ACCORDE DES DROITS BIEN DÉTERMINÉS, Y COMPRIS POSSIBLEMENT CERTAINS DROITS VARIABLES DANS LES DIFFÉRENTS ÉTATS AMÉRICAINS, PROVINCES CANADIENNES.

CETTE GARANTIE LIMITÉE NE S'APPLIQUE QU'ÀUX OUTILS ÉLECTRIQUES PORTATIFS ET D'ÉTABLI VENDUS AUX ÉTATS-UNIS D'AMÉRIQUE, AU CANADA ET AU COMMONWEALTH DE PORTO RICO. POUR COUVERTURE DE GARANTIE DANS LES AUTRES PAYS, CONTACTEZ VOTRE IMPORTATEUR OU REVENDEUR BOSCH LOCAL.

GARANTIA LIMITADA PARA HERRAMIENTAS MECANICAS PORTATILES Y PARA TABLERO DE BANCO BOSCH

Robert Bosch Tool Corporation ("el Vendedor") garantiza, únicamente al comprador original, que todas las herramientas mecánicas portátiles y para tablero de banco BOSCH estarán libres de defectos de material o de fabricación durante un período de un año a partir de la fecha de compra. LA ÚNICA OBLIGACION DEL VENDEADOR Y EL RECURSO EXCLUSIVO QUE USTED TIENE bajo esta Garantía Limitada y, hasta donde la ley lo permita, bajo cualquier garantía o condición implícita por ley, consistirá en la reparación o sustitución sin costo de las piezas que presenten defectos de material o de fabricación y que no hayan sido utilizadas incorrectamente, manejadas descuidadamente o reparadas incorrectamente por personas que no sean el Vendedor o una Estación de servicio autorizada. Para efectuar una reclamación bajo esta Garantía Limitada, usted debe devolver el producto, que consiste en la herramienta mecánica portátil o para tablero de banco completa, con el transporte pagado, a cualquier Centro de servicio de fábrica o Estación de servicio autorizada. Para Estaciones de servicio autorizadas de herramientas mecánicas BOSCH, por favor, consulte el directorio telefónico.

ESTA GARANTIA LIMITADA NO SE APLICA A ARTICULOS ACCESORIOS TALES COMO HOJAS PARA SIERRAS CIRCULARES, BROCAS PARA TALADROS, BROCAS PARA FRESADORAS, HOJAS PARA SIERRAS DE VAIVEN, CORREAS PARA LIJAR, RUEDAS DE AMOLAR Y OTROS ARTICULOS RELACIONADOS.

TODAS LAS GARANTIAS IMPLICITAS TENDRAN UNA DURACION LIMITADA A UN AÑO A PARTIR DE LA FECHA DE COMPRA. ALGUNOS ESTADOS DE LOS EE.UU., ALGUNAS PROVINCIAS CANADIENSES NO PERMITEN LIMITACIONES EN CUANTO A LA DURACION DE UNA GARANTIA IMPLICITA, POR LO QUE ES POSIBLE QUE LA LIMITACION ANTERIOR NO SEA APLICABLE EN EL CASO DE USTED.

EL VENDEADOR NO SERA RESPONSABLE EN NINGUN CASO DE NINGUN DAÑO INCIDENTAL O EMERGENTE (INCLUYENDO PERO NO LIMITADO A RESPONSABILIDAD POR PERDIDA DE BENEFICIOS) QUE SE PRODUZCA COMO CONSECUENCIA DE LA VENTA O UTILIZACION DE ESTE PRODUCTO. ALGUNOS ESTADOS DE LOS EE.UU. Y ALGUNAS PROVINCIAS CANADIENSES NO PERMITEN LA EXCLUSION O LIMITACION DE LOS DAÑOS INCIDENTALES O EMERGENTES, POR LO QUE ES POSIBLE QUE LA LIMITACION O EXCLUSION ANTERIOR NO SEA APLICABLE EN EL CASO DE USTED.

ESTA GARANTIA LIMITADA LE CONFIERE A USTED DERECHOS LEGALES ESPECIFICOS Y ES POSIBLE QUE USTED TAMBIEN TENGA OTROS DERECHOS QUE VARIAN DE ESTADO A ESTADO EN LOS EE.UU., DE PROVINCIA A PROVINCIA EN CANADA.

ESTA GARANTIA LIMITADA SE APLICA SOLAMENTE A HERRAMIENTAS ELECTRICAS PORTATILES Y PARA TABLERO DE BANCO VENDIDAS EN LOS ESTADOS UNIDOS DE AMERICA, CANADA Y EL ESTADO LIBRE ASOCIADO DE PUERTO RICO. PARA COBERTURA DE GARANTIA EN OTROS PAISES, PONGASE EN CONTACTO CON SU DISTRIBUIDOR O IMPORTADOR LOCAL DE BOSCH.

© Robert Bosch Tool Corporation 1800 W. Central Road Mt. Prospect, IL 60056 -2230

Exportado por: Robert Bosch Tool Corporation Mt. Prospect, IL 60056 -2230, E.U.A.

Importado en México por: Robert Bosch, S.A. de C.V., Calle Robert Bosch No. 405, Zona Industrial, Toluca, Edo. de México, C.P. 50070, Tel. (722) 2792300

Free Manuals Download Website

<http://myh66.com>

<http://usermanuals.us>

<http://www.somanuals.com>

<http://www.4manuals.cc>

<http://www.manual-lib.com>

<http://www.404manual.com>

<http://www.luxmanual.com>

<http://aubethermostatmanual.com>

Golf course search by state

<http://golfingnear.com>

Email search by domain

<http://emailbydomain.com>

Auto manuals search

<http://auto.somanuals.com>

TV manuals search

<http://tv.somanuals.com>