

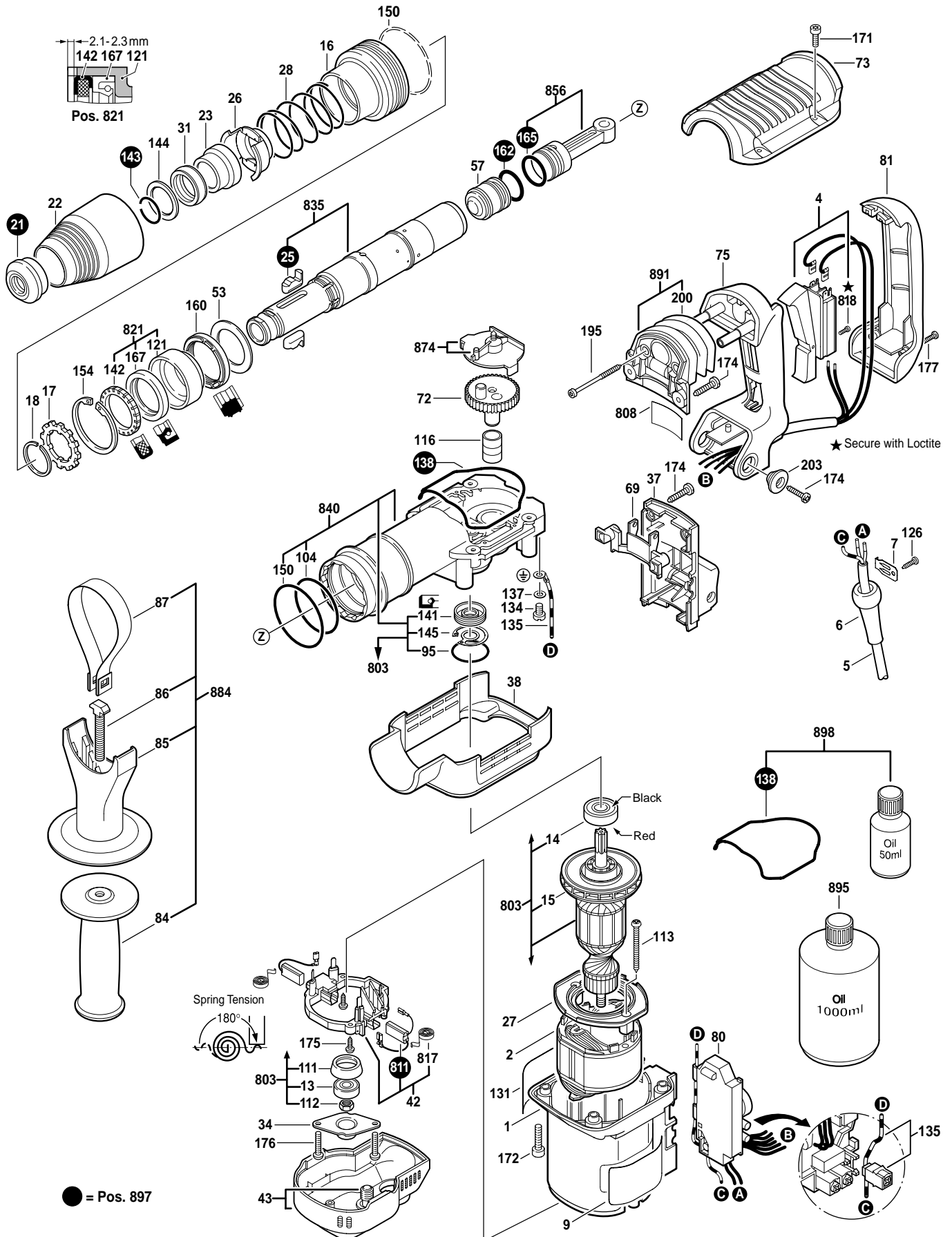
BOSCH

June 2002
INDUSTRIAL

DEMOLITION HAMMER

Model 0611318739

11318EVS



11318EVS DEMOLITION HAMMER

Pos.	Part Number	Description {Qty.}	F/C	Pos.	Part Number	Description {Qty.}	F/C
1	1 615 102 155	Motor Housing	71	134	2 910 110 116	Screw	89
2	1 614 220 163	Field	22	135	1 614 431 031	Cable	10
4	1 617 200 095	Switch	15	137	2 916 699 130	Lock Washer	65
		w/pos. 818		138	1 611 015 050	Gasket	79
5	1 614 461 035	Cord	11	141	1 610 290 066	Seal	77
6	1 610 703 056	Strain Relief	11	142	1 610 290 061	Seal	77
7	1 601 302 019	Clamp	89	143	1 614 601 021	Spring Ring	89
9	1 611 110 C62	Label	9	144	1 610 251 006	Washer	86
13	1 610 900 026	Ball Bearing	60	145	1 610 119 012	Retaining Ring	89
14	1 610 905 028	Ball Bearing	61	150	1 610 210 127	O-Ring	78
15	1 616 610 090	Fan	23	154	2 916 660 024	Retaining Ring	89
16	1 610 499 041	Sleeve	86	160	1 610 210 172	Ring	9
17	1 610 241 000	Washer	65	162	1 610 210 091	O-Ring	78
18	1 614 601 030	Retaining Ring	89	165	1 610 210 153	O-Ring	42
21	1 610 508 038	Dust Shield	92	167	1 610 290 062	Seal	77
22	1 610 591 030	Sleeve	86	171	1 613 435 014	Screw {4}	89
23	1 610 520 001	Stop Sleeve	86	172	1 613 435 013	Screw {4}	89
25	1 612 300 036	Locking Cog {2}	86	174	1 613 435 012	Screw {6}	89
26	1 610 290 076	Disc	86	175	2 912 401 018	Screw {2}	89
27	1 610 591 028	Air Deflector	24	176	1 613 435 012	Screw {2}	89
28	1 614 621 000	Spring	86	177	1 603 435 051	Screw {2}	89
31	1 610 290 049	Bushing	82	195	1 613 435 020	Screw {2}	89
34	1 610 516 013	Flange	9	200	1 610 284 000	Bellows	9
37	1 615 500 321	Bracket	9	203	1 610 322 009	Washer {2}	65
38	1 615 190 105	Cover	9	803	1 614 011 107	Armature Assembly	AW
42	1 614 336 046	Bush Holder	25		w/pos. 13, 14, 15, 95, 111, 112, 141, 145		
43	1 615 500 322	Cover	70	808	1 611 104 999	Nameplate	9
53	1 610 102 054	Washer	65	811	1 617 014 135	Brush Set	26
57	1 618 710 073	Striker	44	817	1 614 652 004	Brush Spring {2}	27
69	1 610 099 005	Bracket	62	818	2 910 011 082	Screw {2}	89
72	1 616 317 062	Eccentric Gear	34	821	1 617 000 835	Bushing Assembly	82
73	1 615 500 319	Gear Housing Cover	70		w/pos. 121, 142, 167		
75	1 615 132 087	Handle	74	835	1 617 000 432	Guide Tube Assembly	43
80	1 617 233 038	Speed Control	17		w/pos. 25		
81	1 615 132 088	Handle Cover	74	840	1 617 000 846	Gear Housing Assembly	72
84	1 612 025 054	Auxiliary Handle	9		w/pos. 95,104,141,145,150		
85	1 618 040 074	Clamp Holder	80	856	1 617 000 836	Piston Assembly	47
86	1 613 490 001	T-Bolt	80		w/pos. 165		
87	1 611 316 019	Clamping Band	80	874	1 617 000 422	Plate	9
95	1 610 210 173	O-Ring	78	884	1 612 025 055	Auxiliary Handle	9
104	1 610 210 095	O-Ring	78		w/pos. 84, 85, 86, 87		
111	1 610 290 064	Bushing	82	891	1 617 000 853	Shock Absorber	9
112	1 613 300 008	Nut	89		w/pos. 200		
113	1 613 435 009	Screw {2}	89	895	1 615 430 019	Oil	1
116	1 610 311 017	Bushing	82	897	1 617 000 431	Service Pack	78
121	1 610 328 018	Bushing	82		w/pos. 21, 25, 138, 143, 162, 165, 811		
126	2 910 211 019	Screw	89				
131	1 611 110 C56	Label	9	898	1 615 437 512	Oil w/pos. 138	1

Service Notes:

Free Manuals Download Website

<http://myh66.com>

<http://usermanuals.us>

<http://www.somanuals.com>

<http://www.4manuals.cc>

<http://www.manual-lib.com>

<http://www.404manual.com>

<http://www.luxmanual.com>

<http://aubethermostatmanual.com>

Golf course search by state

<http://golfingnear.com>

Email search by domain

<http://emailbydomain.com>

Auto manuals search

<http://auto.somanuals.com>

TV manuals search

<http://tv.somanuals.com>