

AutoDome[®] Reference Guide

Bosch Security Systems, Inc.
130 Perinton Parkway
Fairport, NY 14450 U.S.A.
Phone: 800.289.0096
Fax: 585.223.9180
cctv@us.bosch.com
www.boschsecurity.us



Security Systems

All rights reserved
Printed in U.S.A.
Part # F01U002316C

Tradition of quality and innovation

For over 100 years, the Bosch name has stood for quality and reliability. Bosch Security Systems proudly offers a wide range of fire, intrusion, CCTV, management and communication systems and components to help you find the solution for any application. We are the global supplier of choice for innovative technology backed by the highest level of service and support. When you need solutions you can rely on, choose Bosch.



AutoDome, Allegiant, Bilinx, Unity, Divar and EnviroDome are registered trademarks of Bosch Security Systems in the United States.

Security you can rely on.

BOSCH



Contents

02	Introduction
03-04	Options to Explore
05-06	Choosing the Right AutoDome
07-08	How to Order
09-10	Optional Accessories
11-14	AutoDome System Components
15-18	System Dimensions
19-21	System Configurations
22	Glossary of Terms

AutoDome Camera Systems

Since the development of integrated high-speed dome, pan/tilt cameras, AutoDome has been synonymous with innovation, superior performance and reliability.



Bosch AutoDome systems are designed to meet your security needs. They easily integrate with our entire security product line, including Divar digital recorders and Allegiant matrix switchers. Our Unity domes, which have the same appearance as the AutoDome but contain a pre-configured fixed camera and lens combination, are the perfect complement to the AutoDome installation.



Full integration gives you a complete, easy-to-install, low-maintenance CCTV system from a single supplier.



Remote control, configuration and updates can be performed over the video cable (coax or Passive UTP) when using Bilinx compatible control and configuration devices such as the CTFID configuration tool.

The Bosch commitment to world-class support begins with a three-year warranty and easy access to technical support. Our international sales organizations are committed to meeting your product, service and training needs. More options, better quality, more support – only from Bosch.

Options to Explore

What to consider when choosing your AutoDome

In order to select the right AutoDome for your application, there are a number of factors to consider, including lighting conditions, mounting locations and visibility. These will dictate which features and options are necessary and which camera you should choose. The following explanations cover the major options available in the AutoDome line.

Camera Options

Day/Night

The Day/Night camera option offers the best of both worlds, producing high-quality color video during the day or when light levels are high, and then switching to monochrome and removing the infrared filter to improve IR sensitivity at night or when light conditions are low.

Color

Color cameras are the most popular camera choice for standard lighting conditions. Offering high resolution and high sensitivity, these cameras produce excellent color images for all types of security applications.

Monochrome

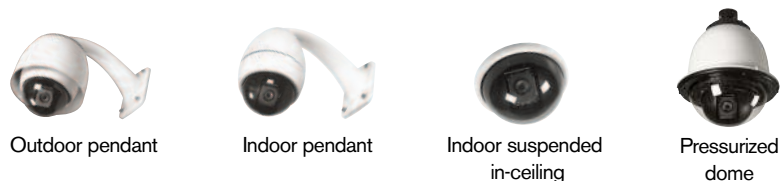
Monochrome cameras are used when the ultimate sensitivity or higher resolution is required. Since monochrome cameras are more sensitive to infrared radiation, they can be used in lighting conditions too dark for a color camera.

Zoom Range

The zoom range defines how close you can get to the subject that you are watching. A 16x optical zoom is ideal for general viewing indoors, while 18x and 26x optical zoom allows you to get in really close while maintaining full details. When you need to get even closer, digital zoom extends the range even further.

Housing Options

Pendant housings are for indoor or outdoor applications. Suspended in-ceiling housings are for indoor applications only. Pressurized housing for special environments.



Bubble Options

All AutoDomes are available with either a clear or a tinted bubble. The clear bubble offers maximum sensitivity by allowing as much light through as possible. The tinted bubble offers covertsness by making it difficult to see the camera from the outside. In addition to these standard bubble types, there are several other colored bubbles that can be purchased separately. Each offers varying levels of covertsness, aesthetics and sensitivity.

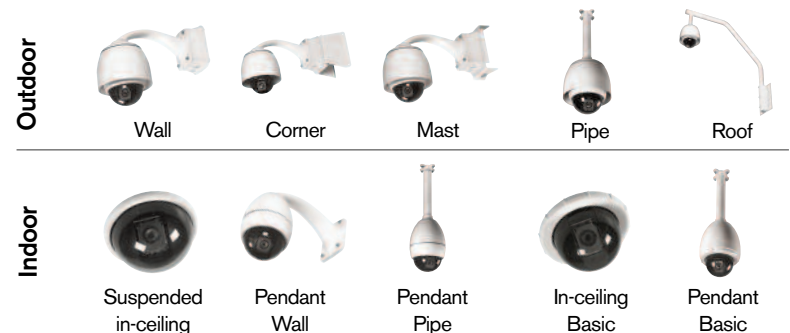
We also offer the exclusive rugged bubble to protect your AutoDome camera from vandalism. Designed to meet stringent strength standards without compromising optical clarity, the rugged bubble can withstand impact equivalent to a 10-pound (4.536 kilograms) weight dropped from a height of 10 feet (3.048 meters).



* Available in standard and rugged bubble.

Mounting Options

The following photos show the various mounting options available for indoor and outdoor systems. Mounting choices are specified within the order number for each individual EnviroDome, AutoDome or BasicDome unit.



Fiber Optics

Fiber optics is the preferred transmission medium to bridge long distances in hostile electromagnetic environments such as subways and railways. AutoDome and EnviroDome systems are available with a bi-directional fiber transceiver, which allows both video and control signals to be transmitted over a single fiber.



Choosing the Right AutoDome



EnviroDome

Outdoor Systems

Whatever the weather may bring, EnviroDome maintains peak performance, making it the ideal solution for perimeter surveillance, parking lots and other outdoor applications. Day/night cameras provide extra sensitivity under changing light conditions, while high-resolution cameras capture the finest detail. For extreme conditions there is even a pressurized version available.

AutoDome

Indoor Systems

Inside, nothing beats the AutoDome. It offers all the features you need to monitor everything from schools to offices, shopping malls to casinos and lets you focus on details other cameras are missing. A variety of mounting options lets you place cameras in the most effective locations throughout your building for the most reliable surveillance possible.

BasicDome

Economical Systems

The BasicDome camera is the economical surveillance solution for indoor security applications. It offers faster, quieter and smoother operation than ever before in a dome in this price range. The BasicDome is the perfect choice for those who want the assurance of the Bosch name at an affordable price.



STANDARD FEATURES			
Cameras Available	26x Optical Zoom Day/Night 18x Optical Zoom Day/Night 18x Optical Zoom Color 18x Optical Zoom Monochrome	26x Optical Zoom Day/Night 18x Optical Zoom Day/Night 18x Optical Zoom Color 18x Optical Zoom Monochrome	16x Optical Zoom Color
Digital Zoom	12x	12x	No
Operating Temperature	- 40° C to 50° C (- 40° F to 122° F)	- 10° C to 50° C (14° F to 122° F)	- 10° C to 50° C (14° F to 122° F)
Supports Multiple Protocols	Bosch Biphas & Bilinx, RS232 & 485, Pelco "P" or "D"	Bosch Biphas & Bilinx, RS232 & 485, Pelco "P" or "D"	Bosch Biphas & Bilinx, RS232
Privacy Masking	Yes	Yes	No
Slow Shutter	Yes	Yes	No
Guard Tour	Yes	Yes	Yes
Remote Fast Address	Yes	Yes	Yes
AutoPivot and AutoScaling	Yes	Yes	Yes
Pre-Positions	99	99	99
Alarm Inputs	Yes	Yes	No
Relay Outputs	Yes	Yes	No
Warranty	3 Year	3 Year	3 Year
AVAILABLE OPTIONS			
AutoTrack	Yes	Yes	No
Housings	Pendant	In-Ceiling, Pendant	In-Ceiling, Pendant
Mounts	Wall, Corner, Mast, Pipe, Roof (Parapet)	Wall, Pipe, In-Ceiling (EnviroDome mounts can be used but are sold separately)	Wall, Pipe, In-Ceiling (EnviroDome mounts can be used but are sold separately)
Rugged Bubble	Yes	Yes	No
Bubble Color Options	Tint (standard) Clear (standard) Gold (sold separately) Bronze (sold separately) Chrome (sold separately)	Tint (standard) Clear (standard) Gold (sold separately) Bronze (sold separately) Chrome (sold separately)	Tint (standard) Clear (sold separately)

How to Order Your AutoDome System

Use the charts on the following pages to create your order numbers based on the examples shown.



EnviroDome Outdoor Systems

Example: ENV C 120 W T

- EnviroDome
- Color
- 120 VAC 60 Hz
- Wall Mount
- AutoTrack

M — 18x Monochrome	W — Wall
C — 18x Color	R — Roof ³
D — 18x Day/Night	M — Mast (Pole)
E — 26x Day/Night	C — Corner
	P — Pipe

ENV				
120 VAC, 60 Hz NTSC — 120	Standard —			
230 VAC, 50 Hz PAL — 230	AutoTrack ⁴ — T			
24 VAC, 60 Hz NTSC ¹ — 2460	Fiber ² — F			
24 VAC, 50 Hz PAL ¹ — 2450	Fiber w/AutoTrack ^{2,4} — FT			

- ¹ No transformer included. Customer must supply 24 VAC, 50 W transformer (ENV-PSU or equivalent). Not available with fiber optic option.
- ² Fiber option only available in kits with transformers. For kits without transformers, an LTC 4628 may be used with standard ENV kit. Each fiber kit requires an LTC 4629 at the system.
- ³ Roof mount mounts to vertical parapet. For flat roof installations, you must also order the LTC 9230/01 Flat Roof Adaptor Plate.
- ⁴ Tracker not available on Monochrome models.



AutoDome Indoor Systems

Example : G3A C PW 5 T P T

- Indoor AutoDome
- Color
- Pendant White
- 24 VAC 50 Hz
- Tinted
- Pipe Mount
- AutoTrack

18x Monochrome — M	Clear — C	P — Pipe ⁶
18x Color — C	Tint — T	W — Wall ⁶
18x Day/Night — D		
26x Day/Night — E		

G3A				
Suspended Ceiling — S	5 — 24 VAC, 50 Hz PAL ⁵	Standard —		
Pendant White — PW	6 — 24 VAC, 60 Hz NTSC ⁵	AutoTrack ⁷ — T		

- ⁵ No transformer included. Customer must supply 24 VAC, 15 W transformer (ENV-PSU or equivalent). Not available with fiber optic option.
- ⁶ Wall and pipe mount kits only apply to pendant models.
- ⁷ Tracker not available on Monochrome models.



BasicDome Economical Systems

Example : G3B PW 50 W

- G3 Basic
- Pendant White
- 24 VAC 50 Hz PAL
- Wall Mount

PW — Pendant White
S — Suspended Ceiling

G3B			
24 VAC, 60 Hz NTSC — 60	W — Wall ⁸		
24 VAC, 50 Hz PAL — 50	P — Pipe ⁸		

- ⁸ Wall and pipe mount kits apply only to pendant models.

Optional Accessories

EnviroDome

Outdoor Systems



A. LTC 9230/01

Flat Roof Adapter Plate (for use with LTC 9230 Series Mounts.)



B. Power Supply with Surge Protection

Protects data, video and power lines.

Pendant Arm

No Fiber Optics

ENV-PA1-SP (120 VAC)
ENV-PA2-SP (230 VAC)

With Fiber Optics (F)

ENV-PA1F-SP (120 VAC)
ENV-PA2F-SP (230 VAC)



Stand Alone Box

No Fiber Optics

ENV-PSU1-SP (120 VAC)
ENV-PSU2-SP (230 VAC)

With Fiber Optics (F)

ENV-PSU1F-SP (120 VAC)
ENV-PSU2F-SP (230 VAC)



ENV-PA-BOX

Empty Junction Box

C. ENV-PA-EX

Extended Pendant Arm (27")



D. Bubble Accessories – How to order Bubble Accessories

Use the following chart to create your order numbers based on the example below.

Example: BUB-G3A PW CL _

- Bubble Replacement
- G3 AutoDome Indoor
- Pendant White
- Clear Bubble
- Standard Replacement



Chrome	CHR					
Bronze	BRZ					
Gold	GLD					
Clear	CL			-R		Rugged ⁹
Tint	TI					Standard
Indoor G3	G3A	PW				Pendant White ¹⁰
EnviroDome	ENV	S				Suspended Ceiling

⁹ Rugged versions are available in Clear or Tint only.

¹⁰ Pendant versions include lower housing.

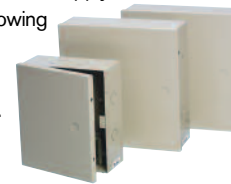
AutoDome

Indoor Systems



A. Optional Power Supplies

G3A-PSU1-(X): Optional indoor power supplies for connecting multiple domes. Comes in 4, 8, or 16 dome versions. Supply converts 120 VAC into 28 VAC allowing for longer distance runs offered by 24 VAC power supplies.



Model

G3A-PSU1-4
G3A-PSU1-8
G3A-PSU1-16

Description

four (4) AutoDomes
eight (8) AutoDomes
sixteen (16) AutoDomes

B. UnityDomes

Also available are UnityDomes, which look exactly like EnviroDomes and AutoDomes, but contain a variety of fixed camera options.



Model

LTC 9349 Series
LTC 9449 Series
LTC 9450 Series

Description

in ceiling
indoor pendant
outdoor pendant

BasicDome

Economical Systems



A. BUB-G3BTI

Replacement Bubble w/Tinted Window

BUB-G3BCL

Optional Bubble w/Clear Window

G3B-Dummy

G3 Basic Dummy Kit (Dark Bubble and Trim Ring only)



CTFID Configuration Tool with Bilinx

Allows remote control, configuration and updates to be performed over the video cable (coax or Passive UTP)

Model

VP-USB
VP-CFGSFT

Description

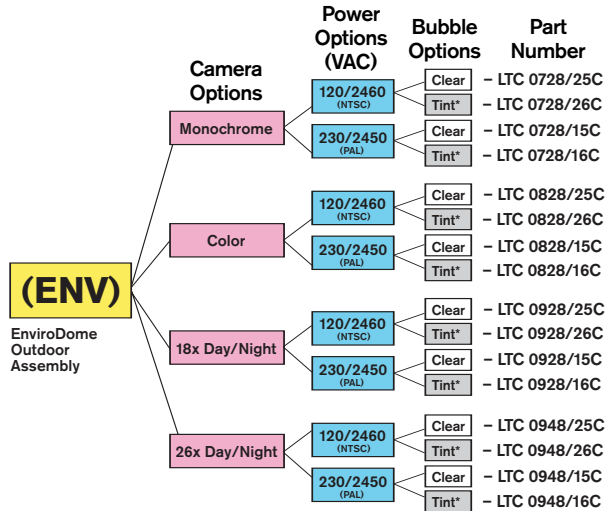
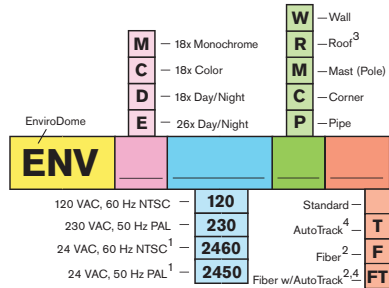
USB Configuration Tool
USB Configuration Tool with Bilinx Software CD

What are the components for each AutoDome System?

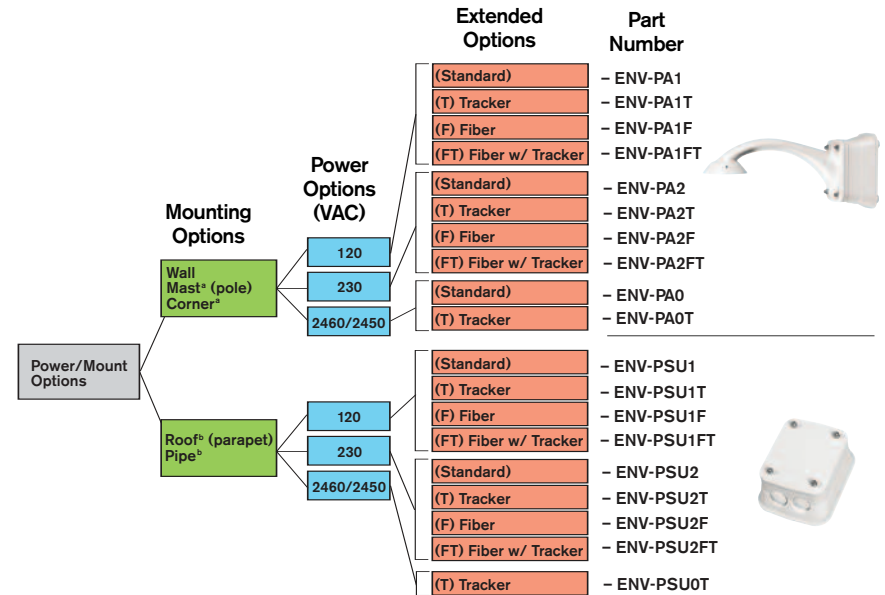
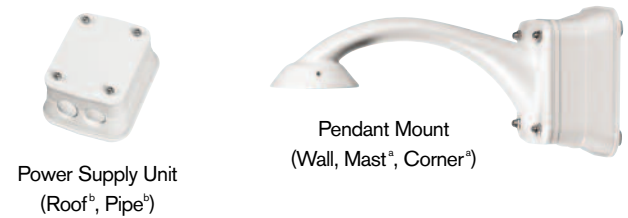
EnviroDome

Outdoor Assembly (ENV)

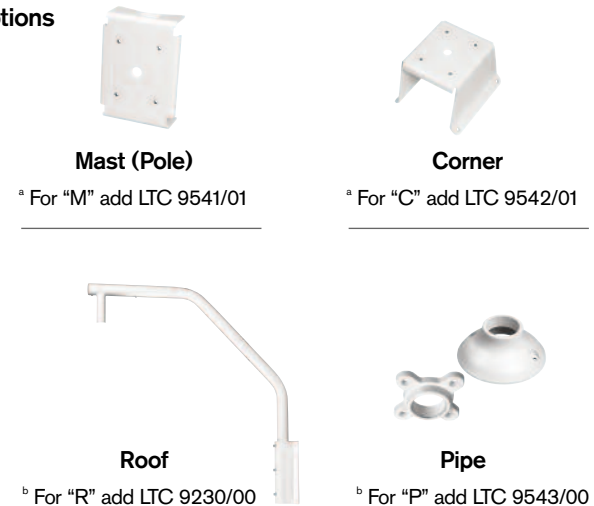
A. Camera



B. Power



C. Mount Options



¹ No transformer included. Customer must supply 24 VAC, 50 W transformer (ENV-PSU or equivalent). Not available with fiber optic option.

² Fiber option only available in kits with transformers. For kits without transformers, an LTC 4628 may be used with standard ENV kit. Each fiber kit requires an LTC 4629 at the system.

³ Roof mount mounts to vertical parapet. For flat roof installations, you must also order the LTC 9230/01 Flat Roof Adaptor Plate.

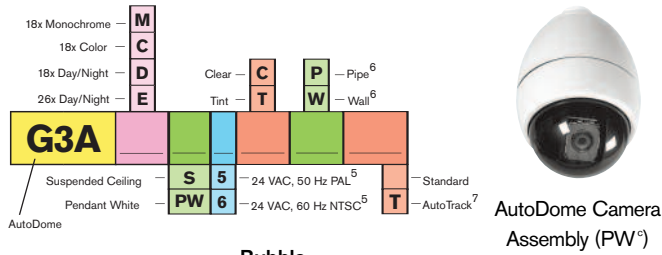
⁴ Tracker not available on Monochrome models.

* Tinted versions not available in systems. Only sold separately.

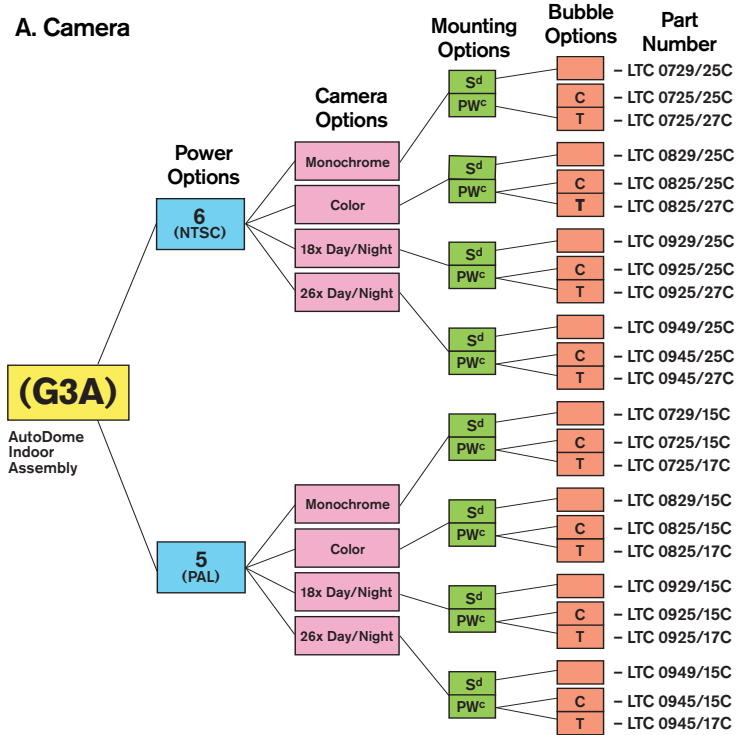
Note: The Rugged Bubble option is ordered separately, as a replacement component, available in Clear or Tinted.

What are the components for each AutoDome System?

AutoDome Indoor Systems



A. Camera



B. Mount Options

^c (PW) Camera assembly requires (P) or (W)

^d (S) Camera assembly requires LTC 7490/20C Back Box and either - Tinted Bubble BUB-G3APWTI
- Clear Bubble BUB-G3APWCL

C. AutoTrack

(P) Pipe mount and (S) suspended ceiling Add G3A-TRKR
(W) Wall mount replace LTC 9540/00 with ENV-PA0T



⁵ No transformer included. Customer must supply 24 VAC, 15 W transformer (ENV-PSU or equivalent). Not available with fiber optic option.

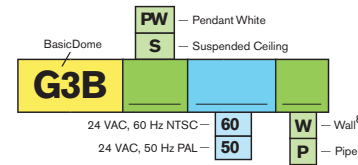
⁶ Wall and pipe mount kits only apply to pendant models.

⁷ Tracker not available on Monochrome models.

BasicDome

Economical Systems

BasicDome Camera Assembly (S^d)



A. Camera

Power Options	Part Number
(NTSC)	G3B61
(PAL)	G3B51



B. Mount

Mounting Options	Part Number
S	G3BS
PW ^c	G3BPW

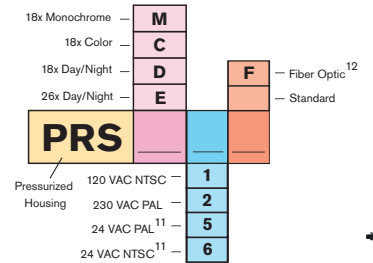


⁸ Wall and pipe mount kits apply only to pendant models.

Pressurized Dome

Environmental Systems

Pressurized Dome Camera Assembly (PRS)



A. Camera

Power Options	Camera Options	Part Number
(NTSC)	Monochrome	LTC 0729/25C
	Color	LTC 0829/25C
	18x Day/Night	LTC 0929/27C
	26x Day/Night	LTC 0949/25C
(PAL)	Monochrome	LTC 0729/15C
	Color	LTC 0829/15C
	18x Day/Night	LTC 0929/15C
	26x Day/Night	LTC 0949/15C

B. Power Supply Options

Power Options	Extended Options	Part Number
120	F	ENV-PSU1
	F	ENV-PSU1F
230	F	ENV-PSU2
	F	ENV-PSU2F



C. Housing

All kits include the PRS-Housing



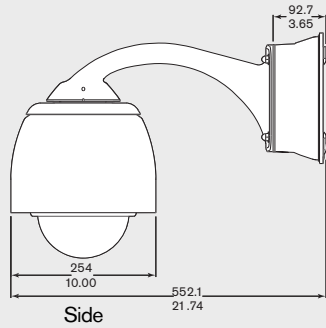
¹¹ No transformer included. Customer must supply 24 VAC, 59 W transformer (ENV-PSU or equivalent). Not available with fiber optic option.

¹² Fiber option only available in kits with transformers. For kits without transformers, an LTC 4628 may be used with standard ENV kit. Each fiber kit requires an LTC 4629 at the system.

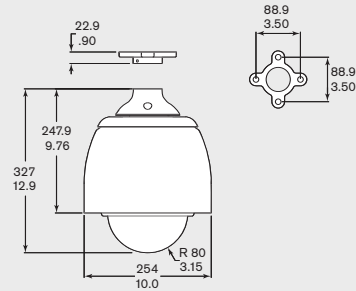
System Dimensions

EnviroDome Outdoor Systems

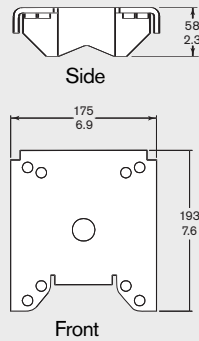
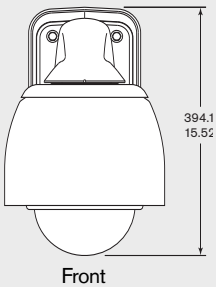
Wall Mount



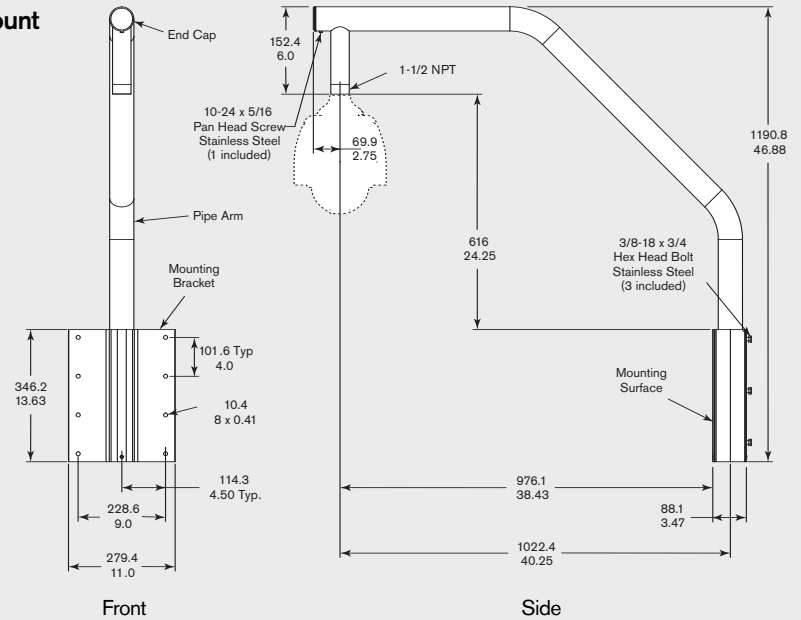
Pipe Mount



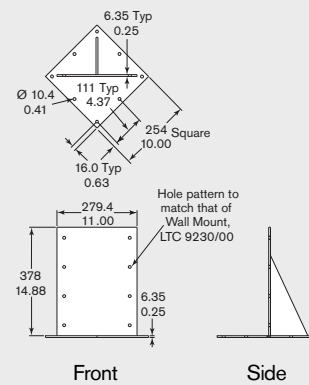
Mast Mount



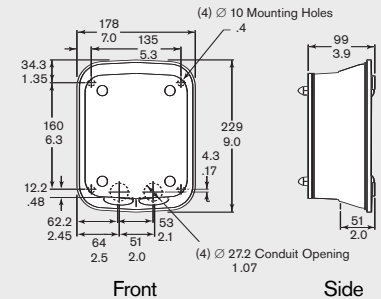
Roof Mount



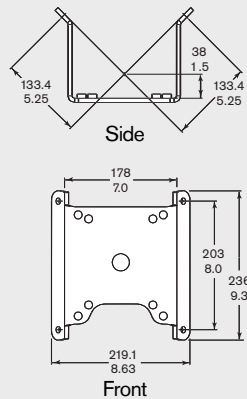
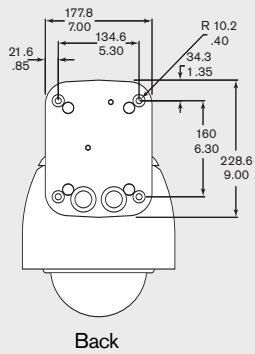
Roof Mount Adapter



Power Supply for Pipe & Roof Mounts



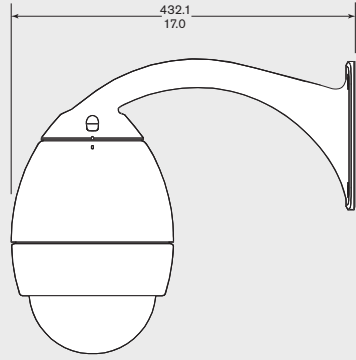
Corner Mount



System Dimensions

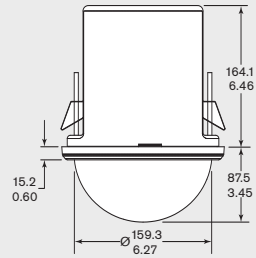
AutoDome Indoor Systems

Wall Mount

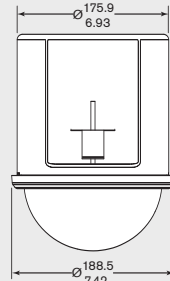


SIDE

In-Ceiling Mount

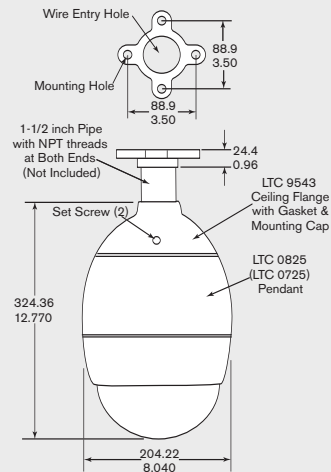


FRONT



SIDE

Pipe Mount

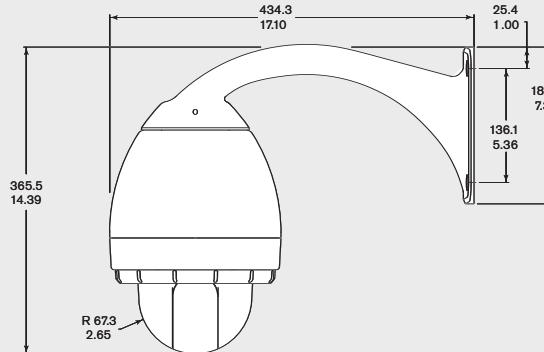


mm
in

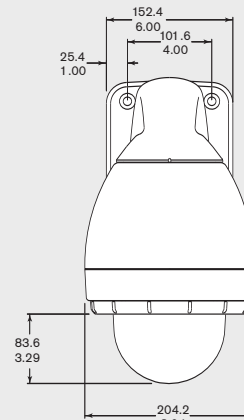
System Dimensions

BasicDome Economical Systems

Basic Pendant

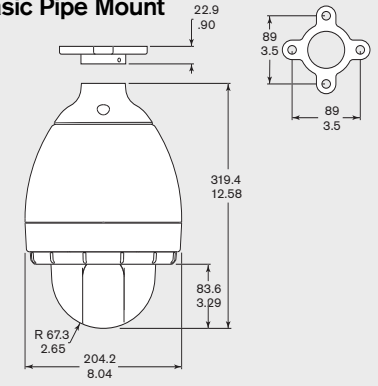


SIDE

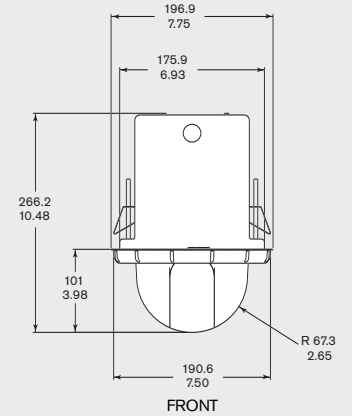


FRONT

Basic Pipe Mount



Basic In-Ceiling

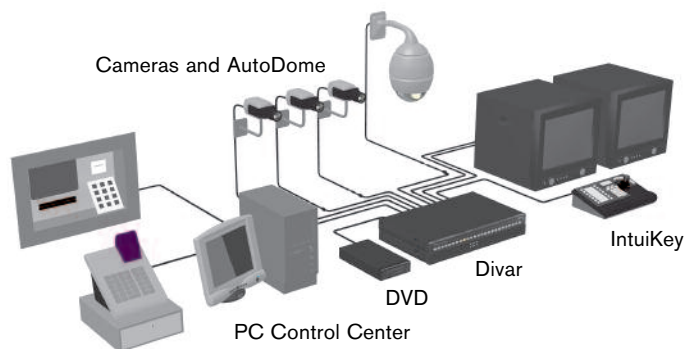


FRONT

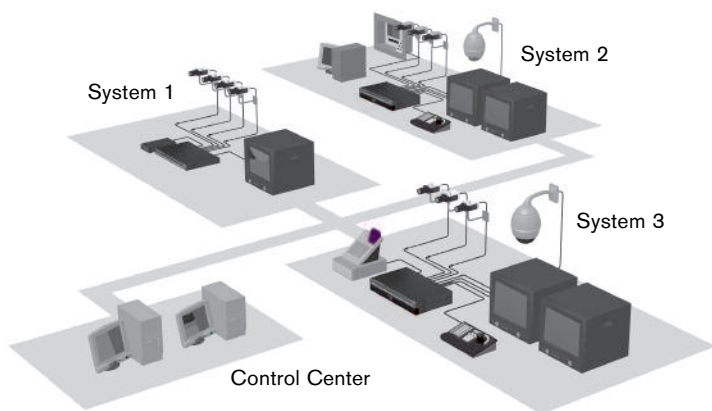
mm
in

System Configurations

Typical digital system using the Divar recorder

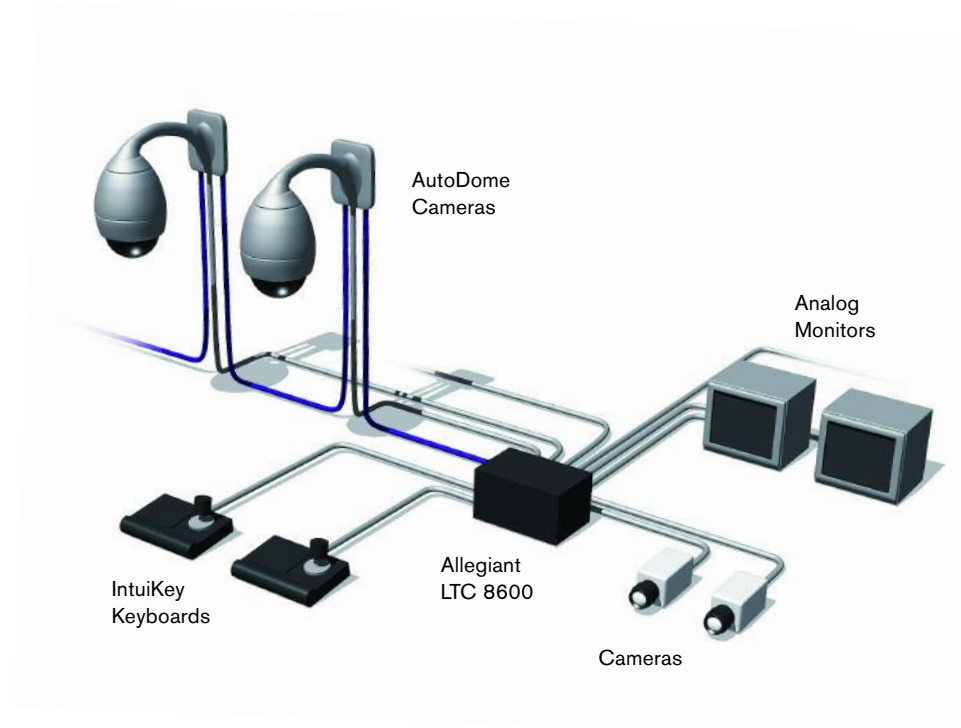


Divar Basic Application



Divar Advanced Application

Typical matrix system using the Allegiant (LTC 8600) switcher



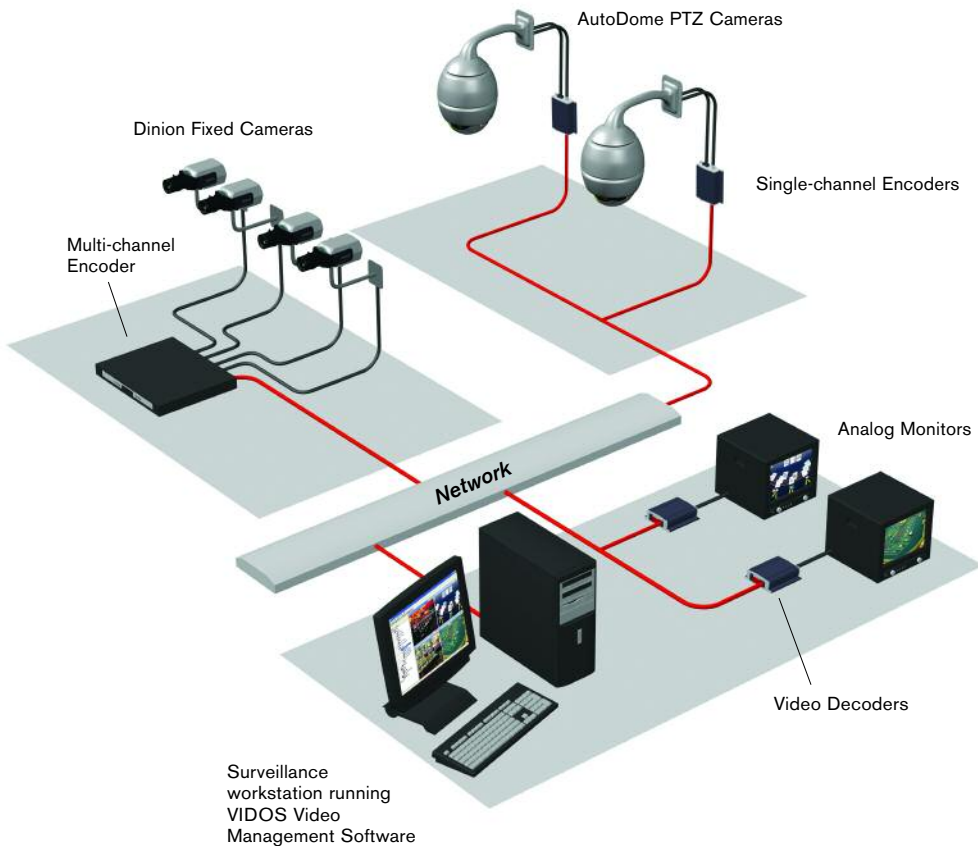
Divar AutoDome Control Using Divar Digital Recorder

Using the Divar digital versatile recorder, the AutoDome can be viewed, controlled and even configured from the local system to virtually anywhere in the world using control center software.

Allegiant Video Matrix

The Allegiant Matrix Switcher is the solution for your control center needs – from eight cameras with two monitors to 4,096 cameras with 512 monitors. The Allegiant allows for complete control of the AutoDome line via the universal keyboard.

Typical IP Network Video system



Bosch IP Network Video Solution

AutoDomes seamlessly integrate into your IP network infrastructure using the Bosch IP Network video products. Control, view and configure your cameras from anywhere in the world over your network.

Glossary of AutoDome Terms

Address Each AutoDome has a numerical address in the control system in which it is located. This allows the appropriate dome to be operated. The address may be set manually on the unit via dip switches or remotely (see Fast Address).

AutoDome Fully integrated, high speed, pan/tilt camera built into a protective dome housing allowing full 360° coverage of the scene.

AutoTrack A patented technology that integrates motion detection into the camera allowing tracking of object and zooming in to optimize size and perspective.

Auto Focus The lens continuously adjusts to the correct focus automatically for the sharpest picture.

Autolris The lens iris opening is automatically adjusted to allow the correct illumination of the camera sensor.

AutoPan The camera pans continuously between right and left limit settings.

AutoPivot As the camera tilts through the vertical position, the camera is rotated to maintain the correct orientation of the image.

AutoPlayback This function records the sequence of movements of the AutoDome (P/T/Z) for later playback allowing a set pattern to be repeated automatically. This function is often called Guard Tour.

AutoScaling As the camera zooms in to increase the size of objects on the monitor screen, the pan and tilt speeds are reduced so that the relative speed on the screen remains constant for similar joystick control positions.

BasicDome Bosch solution for an economical dome package that incorporates a vast amount of the AutoDome features into a modular, discrete package.

Bilinx A communications format that allows remote control, configuration and updates to be performed over the video cable (Coax or Passive UTP)

Bi-Phase Pan/Tilt/Zoom protocol for Bosch products.

Day/Night An AutoDome that has normal color operation in situations where there is sufficient illumination (day conditions), but where the sensitivity can be increased when there is little light available (night conditions). This is achieved by removing the infrared cut filter used for good color rendition and/or integrating a number of frames to increase the signal to the noise ration of the camera.

EnviroDome AutoDome with environmental protection that allows it to be used outdoors in almost any climate.

Fast Address A system for setting the address of the AutoDome remotely from the control system.

Preset Tour A sequence of preset shots combined to provide a pre-programmed tour of the area covered by an AutoDome camera.

Guard Tour Allows recorded tours with a combined duration of 15 minutes. Recorded tours consist of control commands and can be played back as needed. All camera position information is stored for maximum flexibility (including pan, tilt, zoom, etc.).

IP 66 The IP code (Ingress Protection) indicates the degree of protection provided by enclosures for electrical equipment. The first number indicates protection of internal equipment against the ingress of solid foreign objects. The second number indicates protection of internal equipment against harmful ingress of water. Higher digits refer to higher levels of protection. See also NEMA rating.

NEMA rating (National Electric Manufacturers Association) Specification standards in reference to the operating environment for a variety of electrical devices.

Pan Camera movement in the horizontal direction.

Pre-Position A pre-selected and stored combination of pan, tilt and zoom positions that allow a set view to be recalled. Also known as Preset Shot.

Pressurized Dry Nitrogen Housing A housing for outdoor applications that protects against smog, humidity, dirt and dust.

Privacy Masking The ability to mask out a specific area to prevent it being viewed.

RS232/485 A communication interface for third party control and firmware upgrades to the AutoDome products.

Sector Blanking The ability to blank out video in any of the 16 pan sectors.

Slow Shutter With this option the camera can reduce the shutter speed to as little as one second, thus increasing the sensitivity to nearly 0.002 lux in select models. Comes as a standard feature on all color and day/night EnviroDomes.

Spot Focus Activates Auto Focus for three seconds after camera movement.

Tilt Camera movement in the vertical direction.

Zoom Changing the effective focal length to allow different fields of view to fill the picture area. Zoom can be optical, where the lens is adjusted, or digital, where a portion of the view is magnified electronically.

Free Manuals Download Website

<http://myh66.com>

<http://usermanuals.us>

<http://www.somanuals.com>

<http://www.4manuals.cc>

<http://www.manual-lib.com>

<http://www.404manual.com>

<http://www.luxmanual.com>

<http://aubethermostatmanual.com>

Golf course search by state

<http://golfingnear.com>

Email search by domain

<http://emailbydomain.com>

Auto manuals search

<http://auto.somanuals.com>

TV manuals search

<http://tv.somanuals.com>