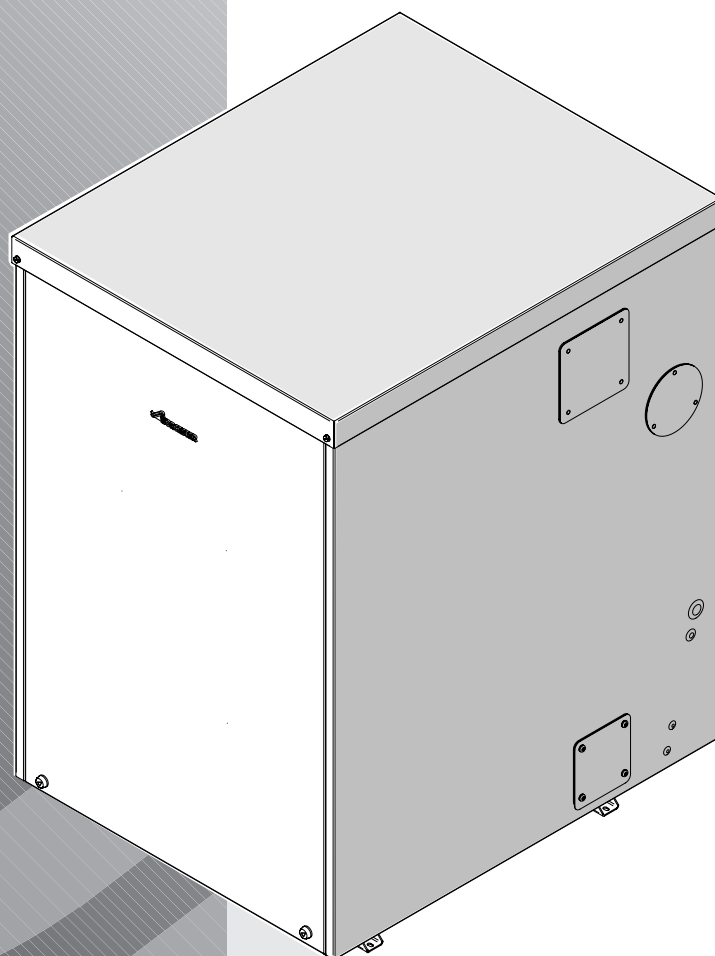


GREENSTAR HEATSLAVE EXTERNAL 12/18, 18/25, 25/32kW

FLOOR STANDING EXTERNAL OIL FIRED CONDENSING COMBINATION
BOILER USING BALANCED FLUE SYSTEM

FOR OPEN VENT AND SEALED CENTRAL HEATING SYSTEMS WITH DOMESTIC MAINS FED HOT WATER



THE APPLIANCE IS FOR USE WITH KEROSENE (28 SECOND
OIL) ONLY

GB

**INSTRUCTION MANUAL
INSTALLATION COMMISSIONING
& SERVICING**

 **WORCESTER**
Bosch Group

INSTALLATION & SERVICING INSTRUCTIONS

SYMBOLS USED IN THIS MANUAL:



Domestic hot water



Central heating



Room thermostat



Frost thermostat



Wait time period



Programmer/timer OFF



Programmer ON CH only



Programmer ON DHW only



Programmer ON CH and DHW



Cold water main supply



Electricity supply

IMPORTANT HANDLING INSTRUCTIONS:

It is advised that more than one person is involved in the transfer of the packaged appliance from the van to the point of installation.

It is advised that no attempt should be made to move the packaged appliance without the use of a suitable truck.

At all times the correct method for handling heavy objects should be strictly observed.

GENERAL HANDLING GUIDELINES:

- Lift only a manageable weight, or ask for help.
- When lifting, bend the knees, and keep the back straight and feet apart.
- Do not lift and twist at the same time.
- Lift and carry items close to the body.
- Wear protective clothing and gloves to protect from any sharp edges.

PLEASE READ THESE INSTRUCTIONS CAREFULLY BEFORE STARTING INSTALLATION.

THESE INSTRUCTIONS ARE APPLICABLE TO THE WORCESTER APPLIANCE MODEL(S) STATED ON THE FRONT COVER OF THIS MANUAL ONLY AND MUST NOT BE USED WITH ANY OTHER MAKE OR MODEL OF APPLIANCE.

THE INSTRUCTIONS APPLY IN THE UK ONLY AND MUST BE FOLLOWED EXCEPT FOR ANY STATUTORY OBLIGATION.

THIS APPLIANCE MUST BE INSTALLED BY A COMPETENT PERSON. FAILURE TO INSTALL CORRECTLY COULD LEAD TO PROSECUTION.

COMPLYING WITH THE BUILDING REGULATIONS:

This heating appliance forms part of the controlled services for the building. It is law that all controlled services for buildings must comply with building regulations. You must be able to satisfy your Local Authority Building Control Body (LABC) that the work carried out concerning the installation and commissioning of this heating appliance has been carried out to a satisfactory standard.

OFTEC operate a competent persons scheme and registered installers are able to certify that their work complies with building regulations. Under the scheme;

- OFTEC must be informed about every installation.
- OFTEC will issue a building regulations compliance certificate to the householder and will notify the LABC.

OFTEC provide controlled document forms CD10 and CD11 for use during installation and commissioning respectively.

Other organisations operate self-certification schemes e.g. NAPIT and BESCA Ltd. and it may be possible for installers who are members of these organisations to self certify their work.

Alternatively you must submit a building control notice to the LABC before installing any boiler. The LABC will then arrange regular inspection visits during the work to ensure that the installation complies with the regulations.

IF YOU ARE IN **ANY DOUBT** CONTACT THE WORCESTER TECHNICAL HELPLINE.

DISTANCE LEARNING AND TRAINING COURSES ARE AVAILABLE FROM WORCESTER.

PLEASE LEAVE THESE INSTRUCTIONS WITH THE COMPLETED COMMISSIONING FORM AND THE USER MANUAL WITH THE OWNER OR WITH THE APPLIANCE AFTER INSTALLATION OR SERVICING. THE SERVICE INTERVAL RECORD CAN BE FOUND ON THE BACK PAGE OF THIS MANUAL.

ABBREVIATIONS USED IN THIS MANUAL:

Ø	Diameter
CH	Central Heating
DHW	Domestic Hot Water
TRV	Thermostatic Radiator Valve
IP	Ingress Protection
CF	Conventional flue
BF	Balanced flue
N/A	Not allowed
SEDBUK	Seasonal Efficiency of Domestic Boilers in the United Kingdom
OFTEC	Oil Firing Technical Association for the Petroleum Industry
IEE	Institute of Electrical Engineers
LABC	Local Authority Building Control Body

STORE THE APPLIANCE IN A DRY AREA PRIOR TO INSTALLATION.

Check List Hardware/Literature pack

Item	Qty
Greenstar Heatslave External Installation/Servicing Instructions.....	1
Users Instructions.....	1
Hardware Pack.....	1
100mm Ø Services Duct.....	1
Condensate Trap Kit.....	1
Warranty Return Envelope.....	1
Cabinet Key.....	1

CONTENTS

SAFETY & REGULATIONS

IMPORTANT INFORMATION AND SYMBOLS	1
SAFETY PRECAUTIONS AND INSTALLATION REGULATIONS	3

APPLIANCE INFORMATION

GENERAL INFORMATION	4
TECHNICAL DATA	5
LAYOUT & COMPONENTS	6

PRE-INSTALLATION

CLEANING PRIMARY SYSTEMS	7
MAINS SUPPLIES	8
OIL SUPPLY	9
WATER SYSTEMS & PIPEWORK	10-11
CONDENSATE & PRESSURE RELIEF PIPEWORK	12
BOILER LOCATION & CLEARANCES	13
CABINET MOUNTED LOW LEVEL FLUE TERMINAL POSITIONS	14
HIGH LEVEL FLUE TERMINAL POSITIONS	15
EXTERNAL OILFIT BALANCED FLUE OPTIONS	16
CABINET MOUNTED HORIZONTAL BALANCED FLUE OPTIONS	17

INSTALLATION

UNPACKING THE BOILER	18
PIPEWORK & FLUE POSITIONS	19
BOILER INSTALLATION	20
FLUE INSTALLATION	21
COMBUSTION CHAMBER	22
PIPEWORK CONNECTIONS	23-24
OIL BURNER AND PUMP	25
REFITTING COMPONENTS	26
ELECTRICS	27-28

COMMISSIONING

PRE-COMMISSIONING CHECKS - APPLIANCE	29
FILLING THE SYSTEM	30
STARTING THE APPLIANCE	31-34
WATER TREATMENT	35
FINISHING COMMISSIONING - APPLIANCE	36

SERVICING & SPARES

INSPECTION AND SERVICE	37-40
SHORT PARTS LIST 12/18	41
SHORT PARTS LIST 18/25	42
SHORT PARTS LIST 25/32	43

FAULT FINDING & DIAGNOSIS

FAULT FINDING	44-45
FAULT FINDING LOGIC FOR SATRONIC CONTROL BOX	46
FAULT FINDING LOGIC FOR 535 SE/LD RDB CONTROL BOX	47
ELECTRICAL SCHEMATIC	48

COMMISSIONING & SERVICE RECORDS

COMBUSTION RECORD	49
SERVICE INTERVAL RECORD	50

SAFETY &
REGULATIONS

APPLIANCE
INFORMATION

PRE -
INSTALLATION

INSTALLATION

COMMISSIONING

SERVICING
& SPARES

FAULT FINDING
& DIAGRAMS

SAFETY PRECAUTIONS

OIL SMELLS, LEAKS OR FUMES FROM THE APPLIANCE:

- ▶ Extinguish any naked flames.
- ▶ Isolate the electrical supply.
- ▶ Isolate the fuel supply to the boiler.
- ▶ Rectify fault.

HEALTH & SAFETY:

The appliance contains no asbestos and no substances have been used in the construction process that contravene the COSHH Regulations (Control of Substances Hazardous to Health Regulations 1988). Where applicable, the CE mark indicates compliance with relative EU Directives.

COMBUSTIBLE AND CORROSIVE MATERIALS:

Do not store or use any combustible materials (paper, thinners, paints etc.) inside or within the vicinity of the appliance.

The combustion air must be kept clear of chemically aggressive substances which can corrode the appliance and invalidate any warranty.

FITTING & MODIFICATIONS:

Fitting the appliance and any controls to the appliance may only be carried out by a competent engineer in accordance with these instructions and the relevant Installation Regulations. Flue systems must not be modified in any way other than as described in the fitting instructions. Any misuse or unauthorised modifications to the appliance, flue or associated components and systems could invalidate the warranty. The manufacturer accepts no liability arising from any such actions, excluding statutory rights.

SERVICING:

Advise the user to have the system regularly serviced by a competent, qualified engineer (such as OFTEC registered personnel) using approved spares, to help maintain the economy, safety and reliability of the appliance.

INSTALLATION REGULATIONS

Failure to install appliances correctly could lead to prosecution.

The appliance should be installed by a competent person. The person installing the appliance should be aware of the Health and Safety at Work Act and take appropriate action to ensure that the regulations are adhered to. In order to give optimum efficiency and trouble free operation the appliance must be commissioned by a qualified OFTEC engineer.

The compliance with a British Standard does not, in itself, confer immunity from legal obligations. In particular the installation of this appliance must be in accordance with the relevant requirements of the following British Standards and regulations in respect of the safe installation of equipment:
BS 5410: part 1: Code of practice for Oil Fired Boilers.

BS 799: part 5: Specification for Oil Storage Tanks.

BS 7593: Code of Practice for treatment of water in domestic hot water central heating systems.

BS 5449: part 1: Specification for forced circulation hot water central heating for domestic premises.

BS 5955: part 8: Specification for the installation of thermoplastic pipes and associated fittings for use in domestic hot and cold water services and heating systems.

BS 7291: Thermoplastic pipes and associated fittings for hot and cold water for domestic purposes and heating installations in buildings.

BS 7074: part 1: Application, selection and installation of expansion vessels and ancillary equipment for sealed water systems.

BS 7671: IEE Wiring Regulations, current edition.

BS 1362: Specification for general purpose fuse links for domestic and similar purposes.

The Building Regulations Part J and L1 England and Wales; Part F and Part J Section III Scotland; Part L and Part F Northern Ireland.

Local water company bye-laws.

The Control of Pollution (Oil) Regulations.

OFTEC Standards.

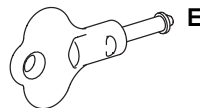
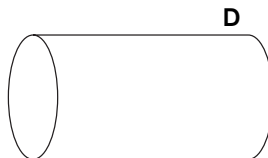
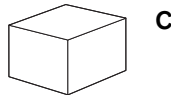
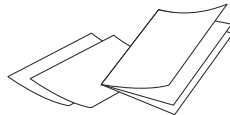
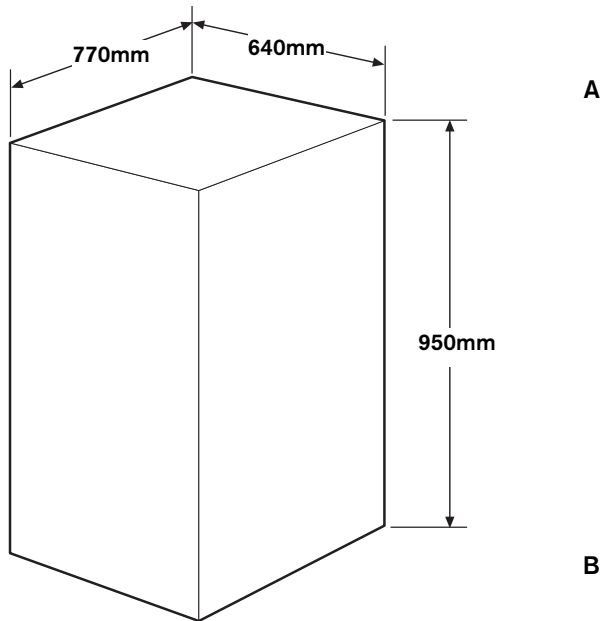
Where no specific instruction is given, reference should be made to the relevant codes of practice.

GENERAL INFORMATION

STANDARD PACKAGE:

- A - Floor standing oil fired condensing boiler for open vent and sealed domestic central heating and mains fed hot water.
- B - Literature pack.
- C - Condensate trap kit.
- D - 100mmØ services duct.
- E - Cabinet key

APPLIANCE
INFORMATION



Check List

Item	Qty
Greenstar Heatslave External Installation/Serviceing Instructions.....	1
Users Instructions	1
100mm Ø Services Duct.....	1
Condensate Trap Kit.....	1
Warranty Return Envelope	1
Cabinet Key.....	1

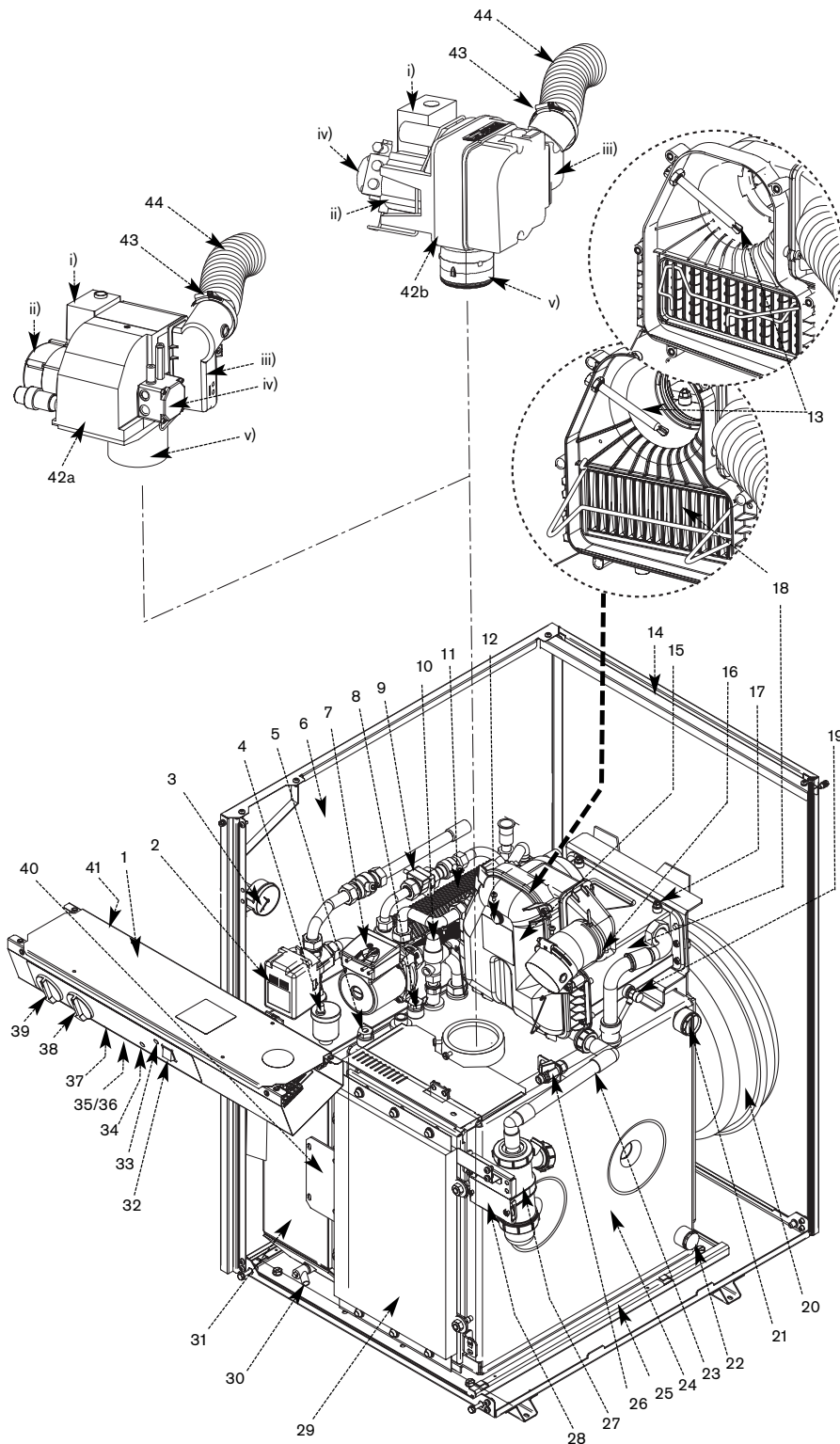
TECHNICAL DATA

DESCRIPTION	UNITS	12/18	18/25	25/32
Central Heating				
Primary water capacity (total)	litres	69	69	72
Maximum static head	metres	30	30	30
Minimum static head	metres	1	1	1
Available pump head (20°C difference) at max. output	metres water	4.7	4.0	4.2
Max. permissible sealed system operating pressure in accordance with WRAS guidelines	bar	2.5	2.5	2.5
Flow restrictor	colour	Lime	–	–
Domestic Hot Water				
Optimum flow rate (±15%)	litres/min	15	18	22
Minimum inlet pressure (dynamic) for optimum flow rate	bar	1.5	1.2	0.9
Maximum hot water rise for 90 litres draw off (@optimum flow rate)	°C	40	40	40
Flue				
Exit flue gas mass flow	kg/hr	29	40	51
Pipework connections				
Fuel line (compression)	mm	10	10	10
CH flow	mm	22	22	28
CH return	mm	22	22	28
Water main inlet	mm	15	15	15
DHW outlet	mm	22	22	22
Open vent (optional)	BSP	1	1	1
CH drain/optional feed and expansion	BSP	3/4	3/4	3/4
Condensate (polypropylene)	mm	21.5	21.5	21.5
Electrical				
Electrical power supply voltage	AC...V	230	230	230
Frequency	Hz	50	50	50
Max. power consumption	W	240	240	263
Thermostats				
CH control thermostat range (cut in/cut out)	°C	55/81	55/81	55/81
DHW control thermostat range (cut in/cut out)	°C	55/72	55/72	55/72
CH & DHW control thermostat differential	°C	5	5	5
Boiler high limit thermostat set point	°C	92	92	92
Boiler manual reset overheat thermostat set point	°C	105	105	105
Flue reset overheat thermostat set point	°C	110	110	110
General Data				
Maximum hearth temperature	°C	<100	<100	<100
SEDBUK (Band A)	%	90.2	90.1	90.3
Appliance protection rating	IP	45	45	45
Weight (excluding packaging)	kg	195	195	206
Emissions class for NOx and CO	class	3	3	3
Typical NOx emissions figure	mg/kW hr	75	70	75

LAYOUT & COMPONENTS

The diagram opposite excludes the top, front and RH side casing panels.

1. CONTROL BOX ASSEMBLY
2. DIVERTER VALVE
3. PRESSURE GAUGE
4. AUTO AIR VENT
5. CH CONTROL AND MANUAL RESET OVERHEAT THERMOSTAT PHIAL
6. CASING SIDE PANEL
7. CIRCULATING PUMP
8. AUTO-RESET HIGH LIMIT THERMOSTAT PHIAL
9. DHW FLOW SWITCH
10. PRESSURE RELIEF VALVE
11. DHW HEAT EXCHANGER
12. FLUE GAS SAMPLING POINT
13. FLUE OVERHEAT THERMOSTAT PHIAL
14. CASING SUPPORT PANEL
15. FLUE MANIFOLD ACCESS COVER
16. AIR INLET PIPE AND CASING
17. SECONDARY HEAT EXCHANGER BLEED POINT (ONE ON EITHER SIDE)
18. SECONDARY HEAT EXCHANGER
19. SECONDARY HEAT EXCHANGER DRAIN
20. EXPANSION VESSEL
21. OPTIONAL OPEN VENT/AIR VENT
22. DRAIN AND OPTIONAL FEED AND EXPANSION
23. CONDENSATE OUTLET
24. PRIMARY HEAT EXCHANGER
25. TRAY
26. OIL ISOLATION VALVE
27. CONDENSATE TRAP
28. CONDENSATE TRAP BRACKET
29. COMBUSTION CHAMBER ACCESS DOOR
30. HEATSLAVE TANK DRAIN
31. HEATSLAVE TANK
32. MODE SWITCH
33. BOILER MODE INDICATOR
34. LOCKOUT INDICATOR
35. OVERHEAT RESET BUTTONS (boiler & flue temperature)
36. LOCKOUT RESET BUTTON
37. SERVICE CONNECTION
38. CH TEMPERATURE CONTROL
39. DHW TEMPERATURE CONTROL
40. DATA LABEL
41. FROST THERMOSTAT SENSORS
- 42a. BENTONE STERLING BURNER (12/18 & 18/25)
- 42b. RIELLO RDB 2.2 BURNER (25/32)
- i) CONTROL BOX
- ii) MOTOR
- iii) AIR INTAKE CASING
- iv) OIL PUMP
- v) COMBUSTION HEAD
43. CLIP - AIR INTAKE HOSE
44. AIR INTAKE HOSE



IMPORTANT: All the following Pre-Installation sections must be read and requirements met before starting boiler or flue installation.

CAUTION: ISOLATE THE MAINS SUPPLIES BEFORE STARTING ANY WORK AND OBSERVE ALL RELEVANT SAFETY PRECAUTIONS.

CLEANING PRIMARY SYSTEMS

IMPORTANT: Debris from the system can damage the boiler and reduce efficiency. Failure to comply with the guidelines for the use of water treatment with the appliance will invalidate the appliance warranty.

BEFORE CLEANING THE SYSTEM:

ENSURE THE SYSTEM AND PIPEWORK IS IN GOOD WORKING ORDER.

FLUSH THE EXISTING SYSTEM WITH A POWER FLUSHING MACHINE OR WITH A CHEMICAL CLEANER BEFORE INSTALLING NEW COMPONENTS.

CLEANING THE PRIMARY SYSTEM:

- ▶ Cleanse the system in accordance with BS 7593.
- ▶ Fill the system with cold mains water to the recommended pressure and check for leaks.
- ▶ Open all drain cocks and drain the system.
- ▶ Close drain cocks and add a suitable flushing agent at the correct strength for the system condition in accordance with the manufacturer's instructions.
- ▶ Circulate the flushing agent before the boiler is fired up.
- ▶ Run the boiler and system at normal operating temperature in accordance with the manufacturer's instructions.
- ▶ Drain and thoroughly flush the system to remove the flushing agent and any debris.

IMPORTANT: The appliance provides a permanent external electrical supply for servicing and must therefore be fed via a circuit breaker incorporating earth leakage protection.



MAINS SUPPLIES

ELECTRIC SUPPLY:

- Supply: 230V - 50Hz.
- Cable: PVC insulated 0.75mm² (24 x 0.2mm) temperature rated to 90°C.
- Protection IP45.
- External 5A fuse to BS 1362.
- The appliance must be earthed.
- Please refer to IEE regulations for cross bonding requirements.
- It must be possible to isolate the appliance from the electric supply with at least a 3mm contact separation in both poles supplying the appliance.
- Wiring between the appliance and the electrical supply must comply with IEE wiring regulations and any local regulations which may apply for fixed wiring to a stationary appliance.
- Any system connected to the boiler must not have a separate electrical supply.

PRE -
INSTALLATION



WATER SUPPLY:

The following are general requirements and if necessary the advice of the local water company should be sought before fitting the appliance.

- The appliance cold water supply should be the first connection off the water main where possible.

Water Mains Pressure:

Minimum dynamic mains water pressure for optimum performance.

12/18kW	18/25kW	25/32kW
1.5 bar	1.2 bar	0.9 bar

- Maximum mains fed water pressure 10 bar. If necessary, fit a pressure reducing valve.

IMPORTANT: Non-return, back flow prevention devices (including those associated with water meters) fitted to the mains water supply can cause a pressure build up which could damage the boiler and other household appliances.

- Where the water main supply has a non-return, back flow prevention valve fitted, a mini expansion vessel (A) must be connected to the mains water inlet pipe (B) between the non-return valve (C) and the boiler (D) as shown opposite.

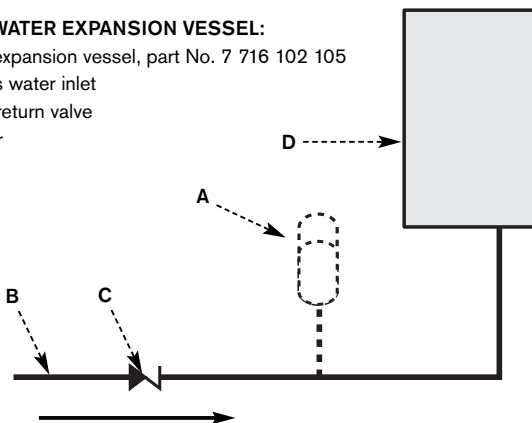
Use in hard water areas:

Normally there is no need for water treatment to prevent scale formation as the maximum temperature of the heat exchanger is limited by the control circuit.

In areas where the temporary water hardness exceeds 200ppm, consideration may need to be given to the fitting of a scale prevention device. In such circumstances, the advice of the local water authority should be sought.

MAINS WATER EXPANSION VESSEL:

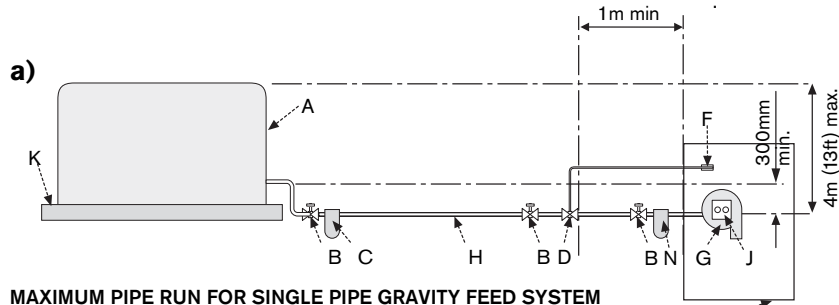
- A - Mini expansion vessel, part No. 7 716 102 105
- B - Mains water inlet
- C - Non-return valve
- D - Boiler



- A - Oil storage tank
- B - Isolating valve
- C - Oil strainer & water separator
- D - Fire valve to BS5410
- E - External casing
- F - Fire valve sensor
- G - Oil burner
- H - Oil supply pipe
- J - Oil pump
- K - Full base (plastic tanks)
- L - Non-return valve
- M - De-aerator
- N - Oil filter (16µm max filtration size)

NOTE: All dimensions are in metres unless stated otherwise.

The maximum pipe run figures are based on using copper pipe with an inside diameter of 2mm less than the Ø.



MAXIMUM PIPE RUN FOR SINGLE PIPE GRAVITY FEED SYSTEM

HEAD	10mmØ	12mmØ	HEAD	10mmØ	12mmØ
0.5	12	30	2.5	62	100
1.0	25	69	3.0	74	100
1.5	37	91	3.5	87	100
2.0	49	100	4.0	99	100

OIL SUPPLY

This appliance is suitable for kerosene (28 second oil) only, no other fuel must be used.

OIL SUPPLY:

- Plastic or steel tanks should be installed to BS 5410. A steel tank should conform to BS 799: part 5 and have a slope of 1 in 24 away from the outlet valve with a sludge cock at its lower end.
- Do not use galvanised steel tanks or pipework for the oil supply system.
- Do not use soldered joints on the oil supply pipework.

a) Single pipe gravity feed system:

The oil storage tank (A) must be positioned so that the oil level does not exceed 4 metres above the level of the burner oil pump (J) and in addition the oil level must be at least 300mm above the oil pump (J). Where the maximum oil level in the oil storage tank exceeds 4 metres, a head breaking device must be installed between the tank (A) and the burner oil pump (J).

b) Double pipe sub-gravity feed system:

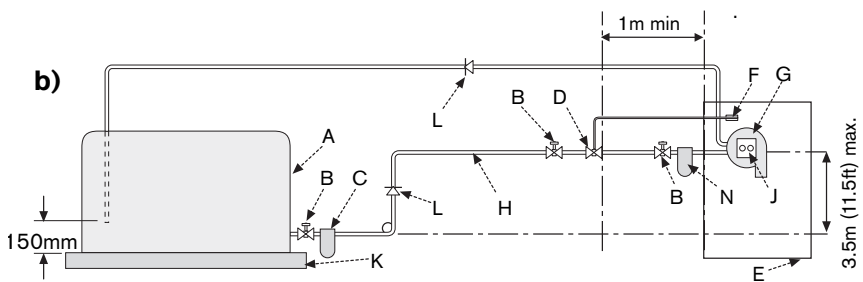
Maximum suction height 3.5 metres. Non-return valves must be fitted to the inlet and return oil line between the oil pump (J) and oil storage tank (A).

c) Single pipe suction lift with de-aerator

Maximum suction height 3.5 metres. The oil tank (A) must be positioned below the oil pump (J). Create an inlet and return loop between the de-aerator (M) and oil pump (J).

A non-return valve must be incorporated within the de-aerator or fitted to the oil line between the oil storage tank (A) and the de-aerator (M).

A top feed oil tank fitted with a de-aerator using an internal non-return valve should have any non-return valves fitted in the base of the tank to the suction line removed to assist purging air from the oil line.



MAXIMUM PIPE RUN FOR DOUBLE PIPE SUB-GRAVITY FEED SYSTEM

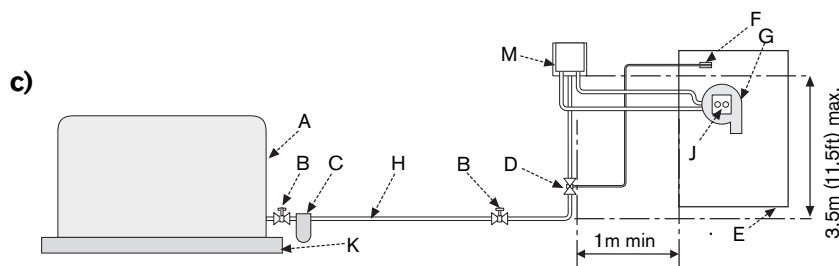
HEAD	10mmØ	12mmØ	HEAD	10mmØ	12mmØ
0	50	100	2.0	26	66
0.5	44	100	2.5	20	50
1.0	38	95	3.0	14	37
1.5	32	80	3.5	8	22

Pipework

- ▶ Use copper pipe of the correct diameter according to the information shown opposite. Use flexible hoses to connect to the oil pump (J).
- ▶ Lay the oil supply pipe (H) as straight and level as possible to avoid air pockets and unnecessary friction losses. Route away from the boiler access door or other hot surfaces.
- ▶ Install a manual isolating valve (B) to the oil supply pipe (H), as close to the oil storage tank (A) as possible.
- ▶ Fit an oil strainer and water separator (C) to the oil supply pipe, near the oil storage tank. Fit an additional oil filter (N, 16µm max filtration size) close to the boiler, but not inside the boiler casing.
- ▶ Fit a fire valve in accordance with BS 5410. The fire valve (D) must be fitted externally at least 1 metre from the appliance with the fire valve sensor (F) located within the appliance case.

A capillary type valve provides a neat and simple installation. Alternatively, a fusible link or electrical system may be used.

Under no circumstances should a combination isolating/fire valve be used as the sole fire protection device.



MAXIMUM PIPE RUN FOR SINGLE PIPE SUCTION LIFT WITH DE-AERATOR

HEAD	FUEL FLOW RATE				HEAD	FUEL FLOW RATE			
	2.5kg/h 8mmØ	5kg/h 8mmØ	10kg/h 8mmØ	10kg/h 10mmØ		2.5kg/h 8mmØ	5kg/h 8mmØ	10kg/h 8mmØ	10kg/h 10mmØ
0	100	55	26	100	2.0	60	30	14	65
0.5	95	45	23	100	2.5	45	25	11	50
1.0	80	40	20	90	3.0	35	15	8	35
1.5	70	35	17	75	3.5	25	10	5	20

The table and illustration above is a guide only and does not in any way override the de-aerator manufacturers instructions.

PRE-INSTALLATION

IMPORTANT: The boiler should not be allowed to operate with a return temperature of less than 40°C when the system is up to operating temperature.

PRIMARY SYSTEM PLASTIC PIPEWORK:

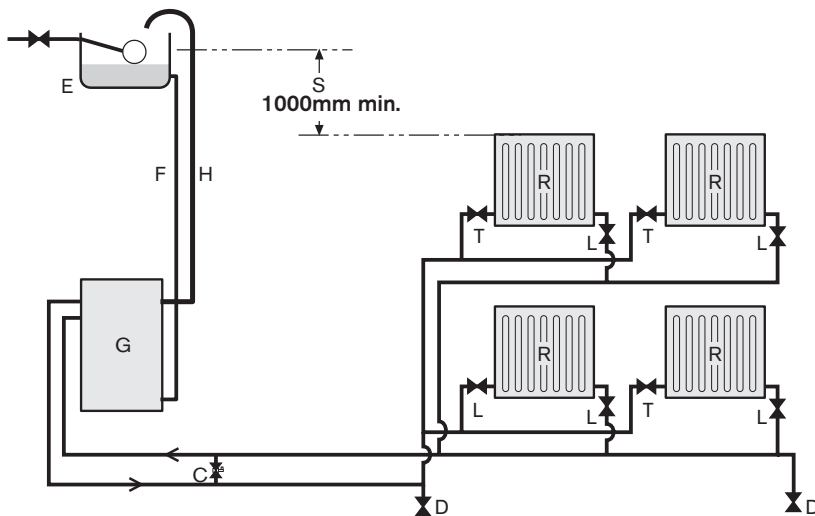
- Plastic pipework must **not** be used for the DHW system.
- Any plastic pipework used for the CH system must have a polymeric barrier, comply with BS 7921 and installed to BS 5955 with 1000mm (minimum) length of copper or steel pipe connected to the boiler.
- Plastic pipework used for underfloor heating must be correctly controlled with a thermostatic blending valve limiting the temperature of the circuits to approx. 50°C with 1000mm (minimum) length of copper or steel pipe connected to the boiler.

PRIMARY SYSTEM/CONNECTIONS/VALVES:

- Do not use galvanised pipes or radiators.
- All system connections, taps and mixing valves must be capable of sustaining a pressure of 3 bar.
- Radiator valves should conform to BS 2767:10.
- All other valves should conform to BS 1010.
- On new installations TRVs must be used on all radiators except the radiator where the room thermostat is sited, this must be fitted with lockshield valves and left open. All installations should have TRVs fitted to radiators within the sleeping accommodation.
- An automatic bypass valve must be connected between the heating flow and return where TRVs are used on all radiators, fitted to give at least a 3m circuit when activated.
- Drain cocks are required at all the lowest points on the system.
- Air vents are required at all high points on the system.

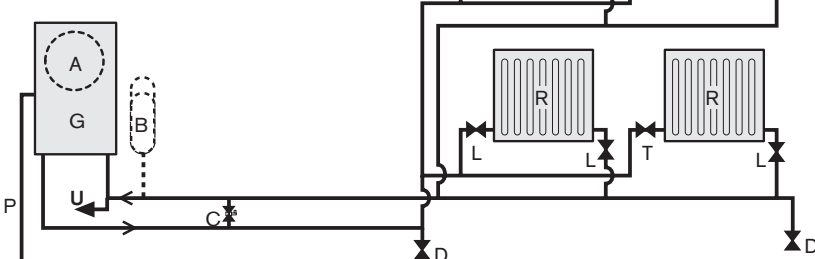
PRE-INSTALLATION

TYPICAL OPEN VENT SYSTEM



- | | | |
|--------------------------------|--------------------------------|-----------------------|
| A - Appliance expansion vessel | F - Feed & expansion 15mmØ min | R - Radiators |
| B - Extra expansion vessel | G - Appliance | S - Static head |
| C - Automatic bypass valve | H - Open vent 22mmØ min | T - TRV |
| D - Drain cock | L - Lockshield valve | U - To filling system |
| E - Feed & expansion cistern | P - Pressure relief discharge | |

TYPICAL SEALED SYSTEM

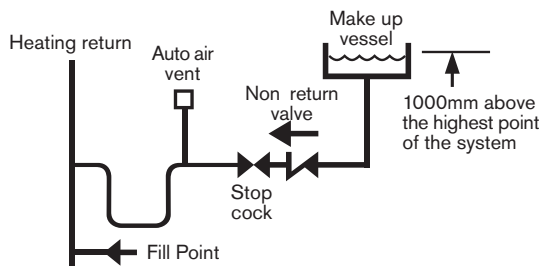
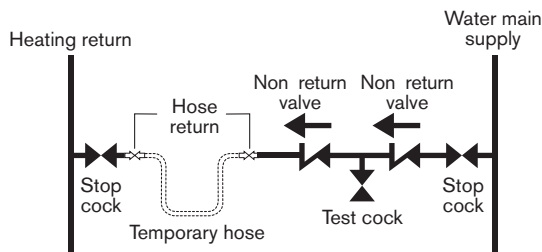


OPEN VENT PRIMARY SYSTEM:

- In order to comply with BS 5449 the feed and expansion pipe and the open vent pipe, (or the combined feed and vent pipe), must be connected to the BSP outlet/s on the right hand side of the primary heat exchanger.
- The feed and expansion cistern (E) must be positioned to provide a static head (S) of at least 1 metre above the highest point in the heating system to the water level in the feed and expansion cistern (E).
- Ensure adequate space is left in the expansion cistern for expansion of the system water.
- No valve shall be fitted in the open vent pipe (H) or the feed and expansion pipe (F).
- The open vent pipe (H) must be at least 22mmØ.

SEALED PRIMARY SYSTEM:

- Where the system volume is more than 180 litres at 0.5 bar or exceeds 2.65bar at maximum heating temperature an extra expansion vessel (B) must be fitted as close as possible to the appliance in the central heating return.
- Pressurise the extra expansion vessel (B) to the same figure as the expansion vessel built into the appliance.



WATER SYSTEMS & PIPEWORK

FILLING PRIMARY SEALED SYSTEMS:

- Filling the system must comply with one of the methods shown opposite.
- The filling point must be at low level and must never be a permanent direct fixing to the mains water supply.
- Filling loops must be WRAS approved.

SHOWERS/BIDETS:

- If a shower head can be immersed in water or comes closer than 25mm from the top edge of a bath or shower tray spill over level then an anti-siphon device must be fitted to the shower hose.
- Only thermostatically controlled showers are suitable for use with this appliance.
- Bidets with direct hot & cold mains water can be used (with the approval of the local water authority) and must be the over rim flushing type with shrouded outlets to prevent the fitting of hand held sprays.

DOMESTIC HOT WATER:

- **Plastic pipework must not be used for the DHW system.**
- Taps and mixing valves must be capable of sustaining a pressure up to 10 bar in accordance with the Water Regulations as they will be operating at mains water pressure.
- Hot water temperature and flow rate are affected by the size and insulation of pipework making up the distribution system and are controlled by the hot water tap and the water main inlet pressure. A mixing valve can be fitted if a more permanent setting is required.
- If using more than one outlet at once causes water flow starvation, fit flow balancing valves or Ball-O-Fix valves to the appropriate outlets.

CONDENSATE &

PRESSURE RELIEF PIPEWORK

CONDENSATE PIPEWORK:

- All national and, where appropriate, local regulations for the discharge and neutralisation of condensate should be followed.
- The condensate pipe must be a minimum of 21.5mmØ polypropylene pipe.
- The condensate pipework must fall at least 50mm per metre towards the outlet and should take the shortest practicable route and not exceed 3 metres outside the building. If a run greater than 3m is required, 32mmØ polypropylene pipe must be used.
- The pipework must follow one of the options shown opposite:

a - Internal waste drainage system

b - Soil/vent stack

c - External drainage system

d - External condensate absorption point

- Condensate pipework must not be connected to rainwater downpipes.
- Use waterproof pipe insulation in exposed positions and for external pipework

IMPORTANT: Condensate pipework must not leak and the condensate trap must be filled with water before the boiler is started to prevent the possibility of potentially harmful flue products escaping via the condensate route.

- A - Condensate from the boiler condensate trap (supplied) which has a 75mm minimum water seal.
- B - Sink.
- C - 21.5mm Ø polypropylene condensate pipe.
- D - Gully.
- E - Internal soil and vent stack.
- F - 300mm x 100mm Ø sealed plastic tube.
- G - Ground level.
- H - Drainage holes 50mm from base of tube (12mm Ø at 25mm centres) facing away from building.
- I - Limestone chippings.

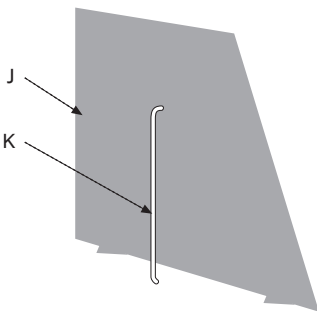
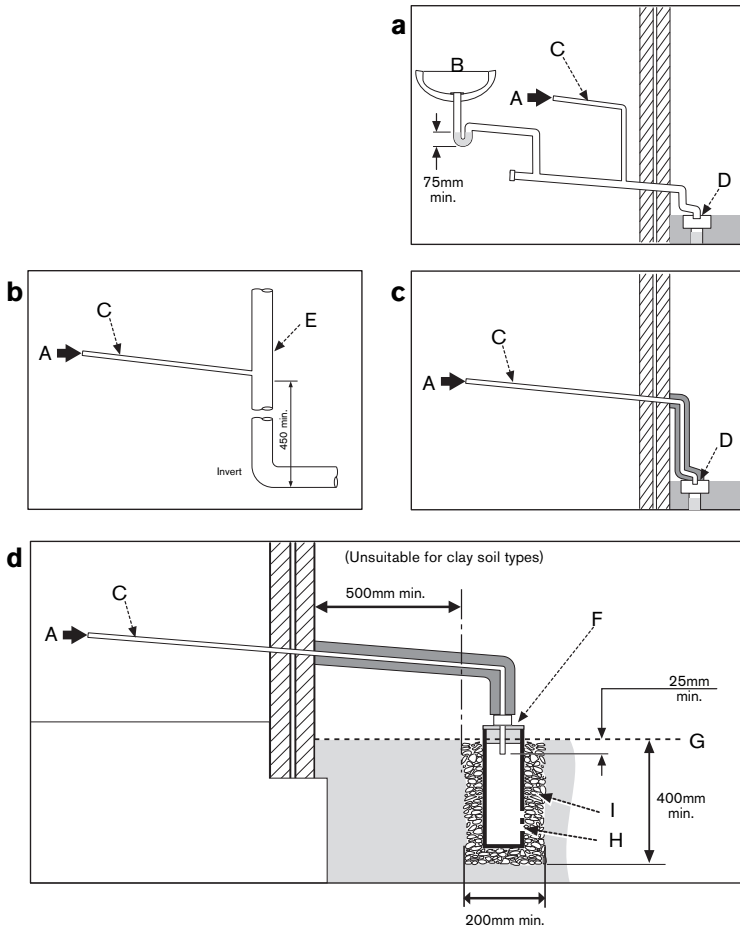
PRESSURE RELIEF PIPEWORK:

IMPORTANT: The pressure relief valve is a safety device for the boiler and if activated may discharge boiling water or steam through the relief valve drain pipe. Care should be taken when siting the outlet pipe so that it does not cause an obstruction or discharge above a window, entrance or other public access where it could cause a hazard.

- The pressure relief drain pipe (K) should be at least 15mm diameter copper pipe and run downwards away from the boiler and discharge away from any electrics or other hazard, preferably to an external drain or soakaway.
- Pipe (K) should be finished with a partial bend, near the outlet to face the external boiler casing (as shown) to help prevent freezing.

J - External boiler casing.

K - Pressure relief pipe.



PRE -
INSTALLATION

BOILER LOCATION &

CLEARANCES

WARNING:

This appliance should not be installed where there is a potential for excessive ground water coverage.

This boiler is only suitable for installing externally at a suitable location onto a fixed permanent rigid surface capable of supporting the boiler weight.

There must be a sufficient hard standing around the appliance to allow for servicing.

The boiler must be installed on a flat level surface to ensure that condensate does not enter the primary heat exchanger.

Tarmac and wood hardstandings are not recommended.

CLEARANCES: Min service & flue clearances

Above	600mm
Front	600mm

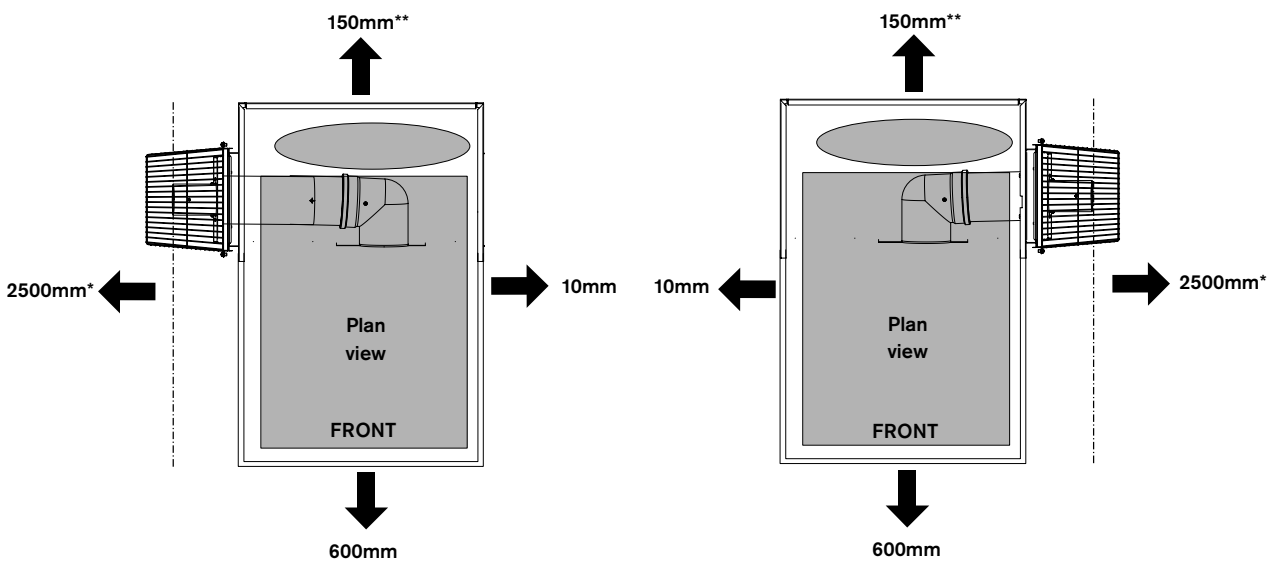
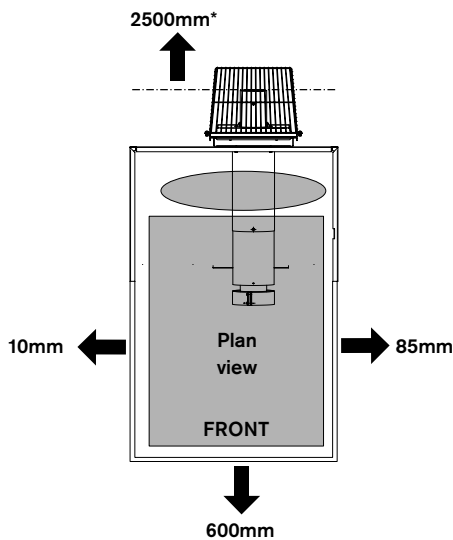
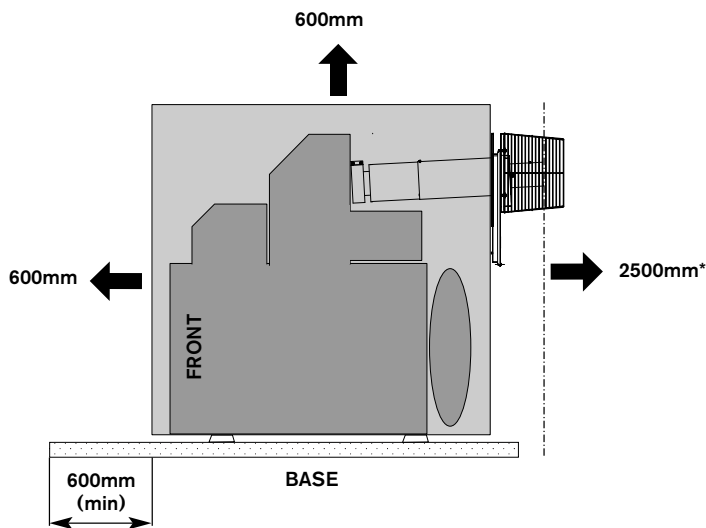
RH/LH flue outlet on opposite side	10mm
RH flue outlet on rear	85mm
LH flue outlet on rear	10mm

Rear = flue outlet on side	150mm**
Rear = rear flue outlet	2500mm*

It is strongly recommended that the flue terminal faces away from walls to reduce the possibility of wetting occurring.

*This can be reduced to 1200mm if there is at least 2500mm clearance on both sides of the flue.

** 200mm if a high level terminal is used exiting through the rear panel.



FLUE TERMINAL POSITIONS

Minimum dimensions of flue terminal positions for oil fired appliances:

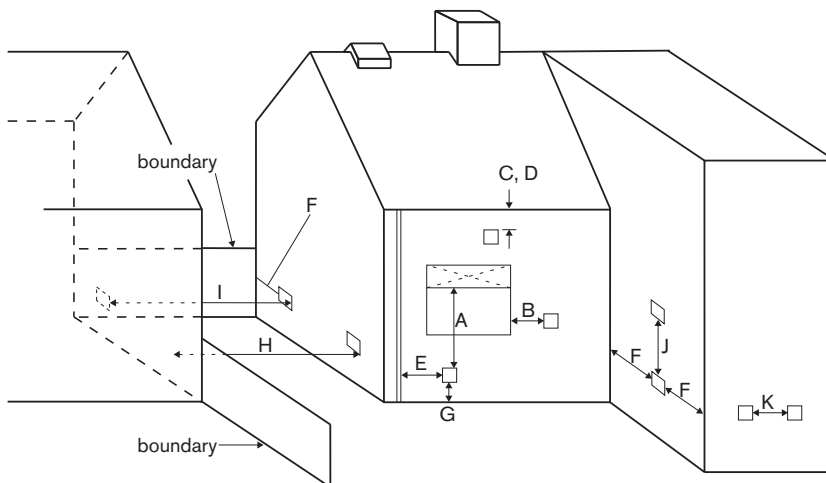
TERMINAL POSITION	B(H)
A ¹ Directly below an opening, air brick, opening windows, etc	600mm
B ¹ Horizontally to an opening, air brick, opening window, etc	600mm
C Below a plastic/painted gutter, drainage pipe or eaves if combustible material protected	75mm
D ² Below a plastic/painted gutter, drainage pipe or eaves without protection to combustible material	600mm
E From vertical sanitary pipework	300mm
F From an external or internal corner or from a surface or boundary alongside the terminal	300mm
G Above ground or balcony level	300mm*
H ¹ From a surface or boundary facing the terminal with 2500mm clearance to both sides of the terminal	1200mm
H ² From a surface or boundary facing the terminal with less than 2500mm clearance to either side of the terminal	2500mm
I ¹ From a terminal facing the terminal with 2500mm clearance to clearance to both sides of the terminal	1200mm
I ² From a terminal facing the terminal with less than 2500mm clearance to either side of the terminal	2500mm
K Horizontally from a terminal	750mm

B(H) Balanced Horizontal flue

1 An opening means an openable element, such as an openable window, or a permanent opening such as a permanently open air vent.

Notwithstanding the dimensions above, a terminal should be at least 300mm from combustible material, e.g. a window frame.

2 A way of providing protection of combustible material would be to fit a heat shield at least 750mm wide.



- Flue terminals must be positioned to avoid combustion products entering into buildings.
- The flue must be fitted and terminated in accordance with the recommendations of BS5410.
- The flue must not cause an obstruction.
- Discharge from the flue outlet must not be a nuisance.
- Flue gases have a tendency to plume and in certain weather conditions a white plume of condensation will be discharged from the flue outlet which could be regarded as a nuisance, for example, near security lighting.
- There should be no restriction preventing the clearance of combustion products from the terminal.
- The air inlet/outlet duct and the terminal of the boiler must not be closer than 25mm to any combustible material. Detailed recommendations on protection of combustible materials are given in BS 5410:1
- A protective terminal guard must be fitted if the terminal is 2m or less above a surface where people have access.

Stainless steel terminal guard.
Part No: 7 716 190 050

- The following additional guidelines (from part L Exceptions Guidance Document) are recommended when determining the flue outlet position:
- Avoid discharging flue gases into car ports or narrow passageways.
- *Minimum distance of the flue terminal from above ground is 2100mm where directed to a public footpath, private access route or a frequently used area and 2500mm from a car parking area.

PRE - INSTALLATION

Minimum dimensions of flue terminal positions for oil fired appliances:

TERMINAL POSITION	B(H)	B(V)
A ^{1,2} Directly below an opening, air brick, opening window, etc	600mm	N/A
B ^{1,2} Horizontally to an opening, air brick, opening window, etc	600mm	N/A
C Below a plastic/painted gutter, drainage pipe or eaves if combustible material protected	75mm	N/A
D ³ Below a plastic/painted gutter, drainage pipe or eaves without protection to combustible material	600mm	N/A
E From vertical sanitary pipework	300mm	N/A
F From an external or internal corner or from a surface or boundary alongside the terminal	300mm	N/A
G Above ground or balcony level	300mm*	N/A
H From a surface or boundary facing the terminal	600mm**	N/A
J From a terminal facing the terminal	1200**mm	—
K Vertically from a terminal on the same wall	1500mm	N/A
L Horizontally from a terminal on the same wall	750mm	—
M Above the point of highest intersection with the roof	—	600mm
N From a vertical structure on the side of the terminal	—	750mm
O Above a vertical structure less than 750mm from the side of the terminal	—	600mm
P From a ridge terminal to a vertical structure on the roof	—	—
Q Above or to the side of any opening on a flat or sloping roof	—	300mm
R Below any opening on a sloping roof	—	1000mm

Key: — Not applicable, N/A Not allowed, B(H) Balanced Horizontal flue, B(V) Balanced Vertical flue.

Notes:

1. Terminals should be positioned so as to avoid products of combustion accumulating in stagnant pockets around the building or entering into buildings.
2. Vertical structure in N, O and P includes tank or lift rooms, parapets, dormers etc.
3. Terminating positions should be at least 1.8m from an oil storage tank unless a wall with at least 30 min fire resistance and extending 300mm higher and wider than the tank is provided between the tank and the terminating position.
4. Where a flue is terminated less than 600mm away from a projection above it and the projection consists of plastics or has a combustible or painted surface, then a heat shield of at least 750mm wide should be fitted.
5. If the lowest part of the terminal is less than 2m above the ground, balcony, flat roof or other place to which any person has access, the terminal should be protected by a guard.
6. Notwithstanding the dimensions given above, a terminal should not be sited closer than 300mm to combustible material. In the case of a thatched roof, double this separation distance should be provided. It is also advisable to treat the thatch with a fire retardant material and close wire in the vicinity of the flue.
7. It is essential that a flue or chimney does not pass through the roof within the shaded area delineated by dimensions Q and R.
8. Where protection is provided for plastic components, such as guttering, it is essential that this is to the standard specified by the manufacturer of the plastic components.

HIGH LEVEL FLUE TERMINAL POSITIONS

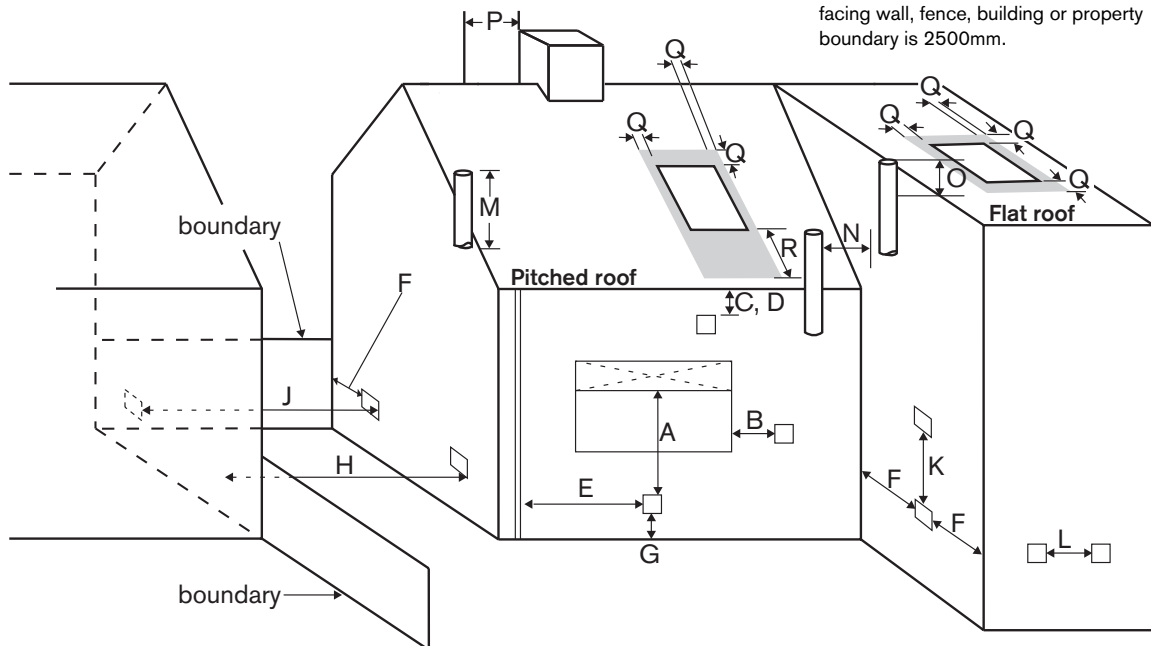
- Flue terminals must be positioned to avoid combustion products entering into buildings.
- The flue must be fitted and terminated in accordance with the recommendations of BS 5410.
- The flue must not cause an obstruction.
- Discharge from the flue outlet must not be a nuisance.
- Flue gases have a tendency to plume and in certain weather conditions a white plume of condensation will be discharged from the flue outlet which could be regarded as a nuisance, for example, near security lighting.
- There should be no restriction preventing the clearance of combustion products from the terminal.
- The air inlet/outlet duct and the terminal of the boiler must not be closer than 25mm to any combustible material. Detailed recommendations on protection of combustible materials are given in BS 5410:1
- A protective terminal guard must be fitted if the terminal is 2m or less above a surface where people have access. The guard must be spaced equally (minimum 50mm) around the flue and fixed to the wall with plated screws.

Stainless steel terminal guard.

Part No: 7 716 190 050

The following additional guidelines (from part L Exceptions Guidance Document) are recommended when determining the flue outlet position:

- Avoid discharging flue gases into car ports or narrow passageways.
- *Minimum distance of the flue terminal from above ground is 2100mm where directed to a public footpath, private access route or a frequently used area and 2500mm from a car parking area.
- **Minimum distance of the flue terminal to a facing wall, fence, building or property boundary is 2500mm.



BALANCED EXTERNAL OILFIT

FLUE OPTIONS

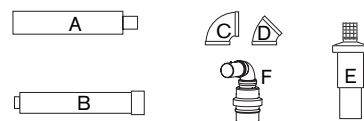
IMPORTANT: The weather seal (supplied) must be fitted to every flue joint to give the required level of weather protection.

The diagrams (opposite) show the components used and the maximum flue length (L) for each flue configuration.

In all cases L is measured from the outside of the boiler casing.

- To achieve the maximum flue length (L), a flue section will have to be reduced in length.
- Only the straight flue extensions can be reduced in length by cutting.

IMPORTANT: All horizontal sections must rise away from the boiler by 52mm per metre (3°) to allow the condensate to drain back to the boiler.



- A - Horizontal terminal
- B - Straight flue extension
- C - Flue bend 90°
- D - Flue bend 45°
- E - Vertical Terminal Kit (incl. 90° elbow)
- F - Horizontal terminal kit (incl. 90° elbow)

Calculating the flue length:

Measure the total flue length required, noting that the maximum straight flue length including the terminal is:

Horizontal 80/125mmØ: 4000mm.

Vertical 80/125mmØ / 100/150mmØ (25/32 only): 7000mm.

Then reduce the total straight flue length for each extra flue bend (excluding the vertical flue kit 90° elbow) by:

1000mm for 90°

500mm for 45°

Flue Extension lengths:

Horizontal & Vertical: 1000mm overall length.

Effective length when engaged into sockets within the flue run is 950mm.

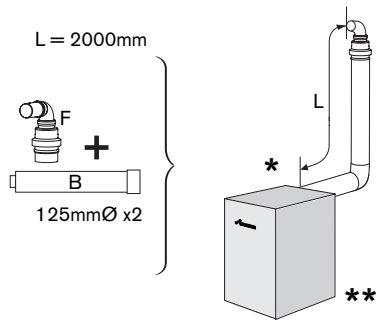
Flue Terminal lengths:

Horizontal 80/125mmØ: 720mm

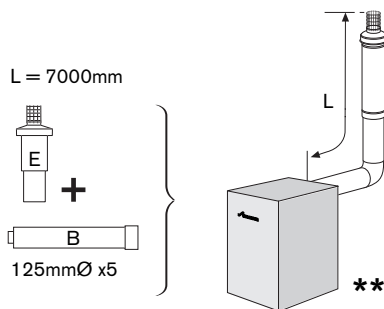
Vertical 80/125mmØ: 1080mm + cage

* Rear exit only.

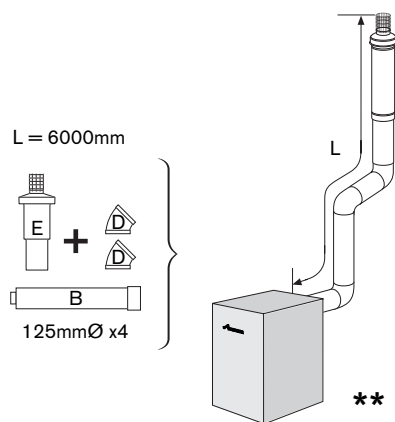
** Horizontal flue runs should be kept as short as possible.



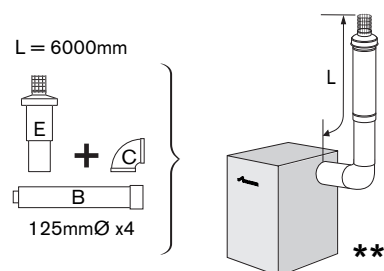
High level horizontal terminal (rear outlet)



Vertical terminal (rear outlet)



Vertical terminal (rear outlet)



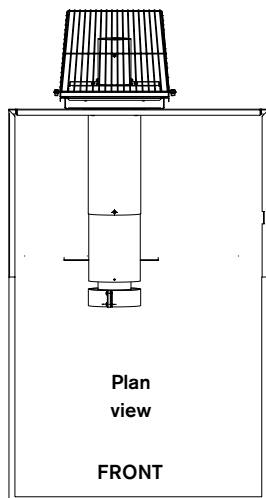
Vertical terminal (side outlet)

PRE -
INSTALLATION

CABINET MOUNTED BALANCED HORIZONTAL FLUE OPTIONS

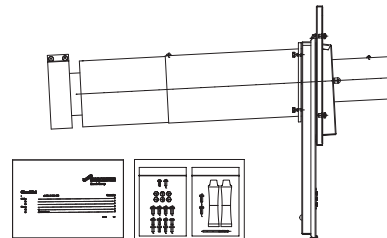
REAR FLUE OUTLET

A + C



- The horizontal flue is fitted to the rear or either side of the cabinet.

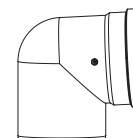
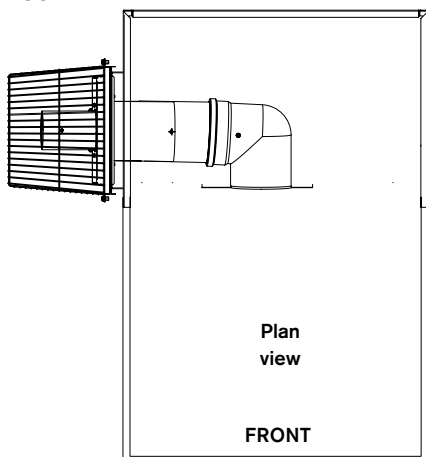
IMPORTANT:
It is strongly recommended that the flue terminal faces away from walls to minimise the occurrence of wetting.



- A - External horizontal flue kit
Part No. 7 716 190 052

LEFT HAND FLUE OUTLET

A + B + C



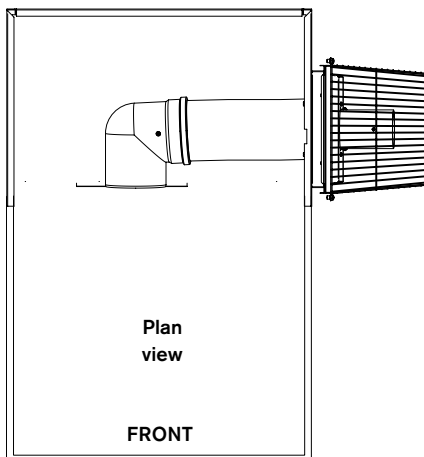
- B - 90° inline elbow 80/125mm
Part No. 7 716 190 034



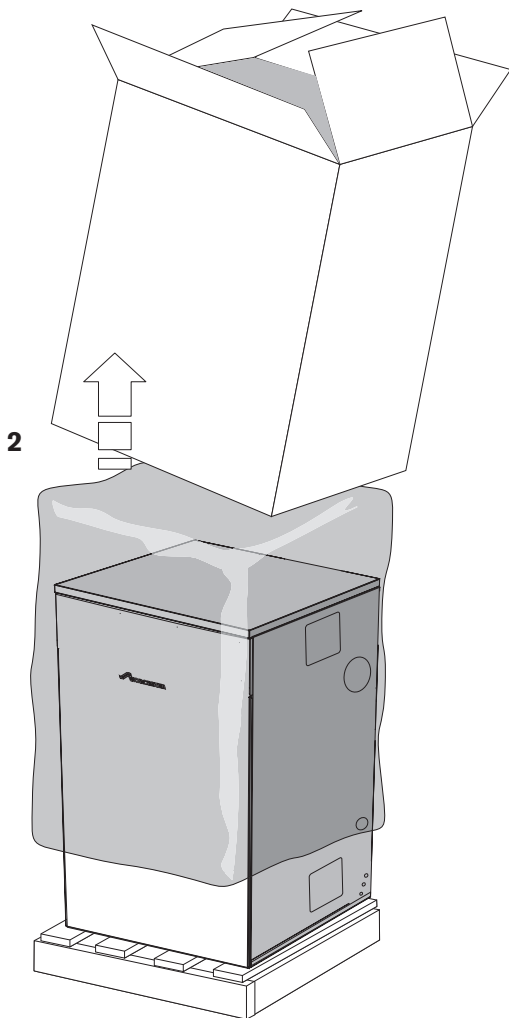
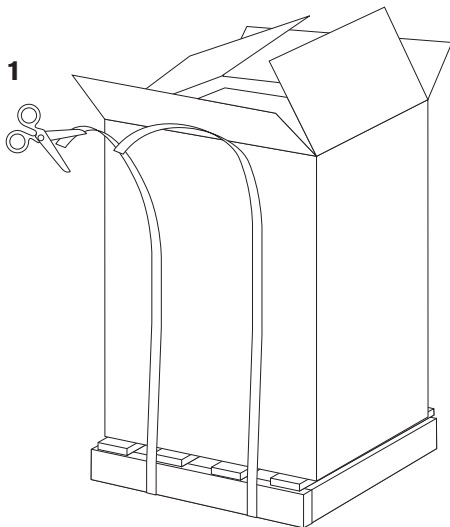
- C - Terminal guard
Part No. 7 716 190 050

RIGHT HAND FLUE OUTLET

A + B + C



IMPORTANT: All the previous Pre-Installation sections must be read and requirements met before starting boiler or flue installation.



UNPACKING THE BOILER

LIFTING AND CARRYING PRECAUTIONS:

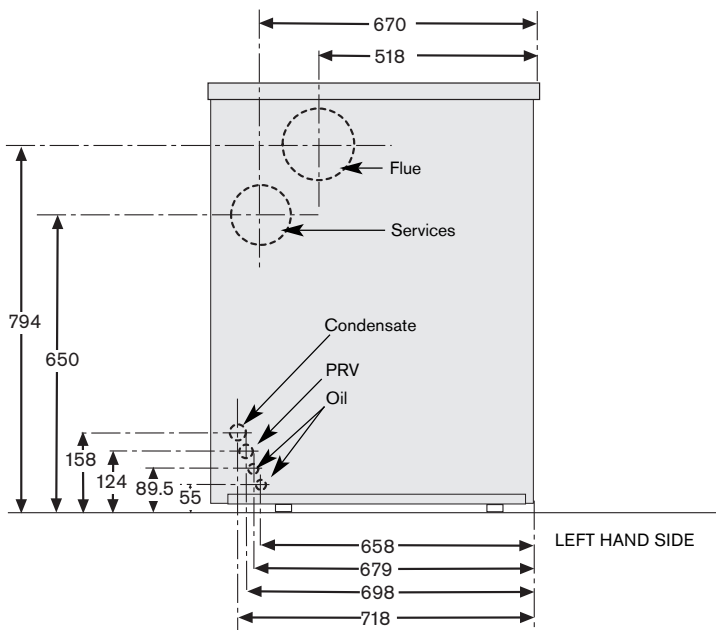
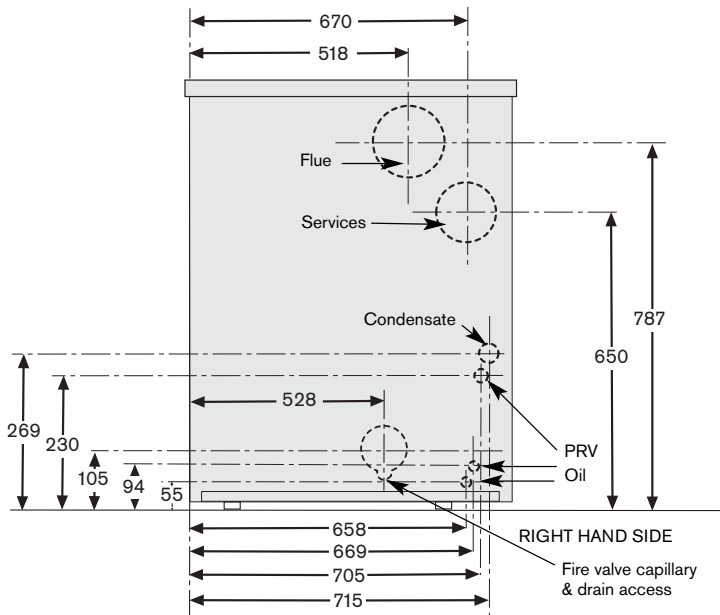
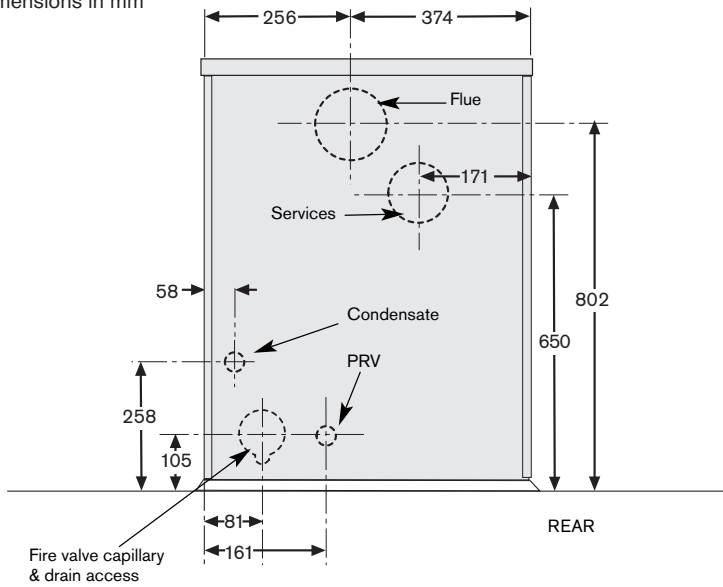
- Lift only a manageable weight, or ask for help.
- When lifting or putting things down, bend the knees, and keep the back straight and feet apart.
- Do not lift and twist at the same time.
- Lift and carry objects close to the body.
- Wear protective clothing and gloves to protect from any sharp edges.

Unpacking:

It is advised that two or more persons are involved in the transfer of the packaged boiler from the van to the point of delivery.

- 1 ▶ Once the packaged boiler has been delivered, the outer carton is removed first. Care should be taken when releasing the straps. If a sharp implement is used make sure the outer carton is not pierced and that the implement is used in such a way so that it may not cause personal injury. All sharp objects must be covered or the blade retracted after use and put away in a safe place.
- 2 ▶ Lift carton up and away from the boiler.
 - ▶ Remove the plastic bag from the boiler and place safely aside.

All dimensions in mm



PIPEWORK & FLUE POSITIONS

CAUTION: Ensure there are no pipes, electric cables, damp proof courses or other hazards before drilling.

SAFETY:

All relevant safety precautions must be undertaken. Protective clothing, footwear, gloves and safety goggles must be worn as appropriate.

PIPEWORK CONNECTIONS:

CH flow 22mmØ copper (28mmØ on 25/32kW model)

DHW flow 22mmØ copper

Mains water inlet 15mmØ

CH return 22mmØ copper (28mmØ on 25/32kW model)

Optional open vent 1" BSP

Services duct 100mmØ

Drain/optional fill/feed & expansion $\frac{3}{4}$ " BSP

Pressure relief pipe 15mmØ

Condensate outlet 21.5mmØ

NOTE: For servicing purposes, keep the condensate and pressure relief discharge pipes away from components and pipework connections.

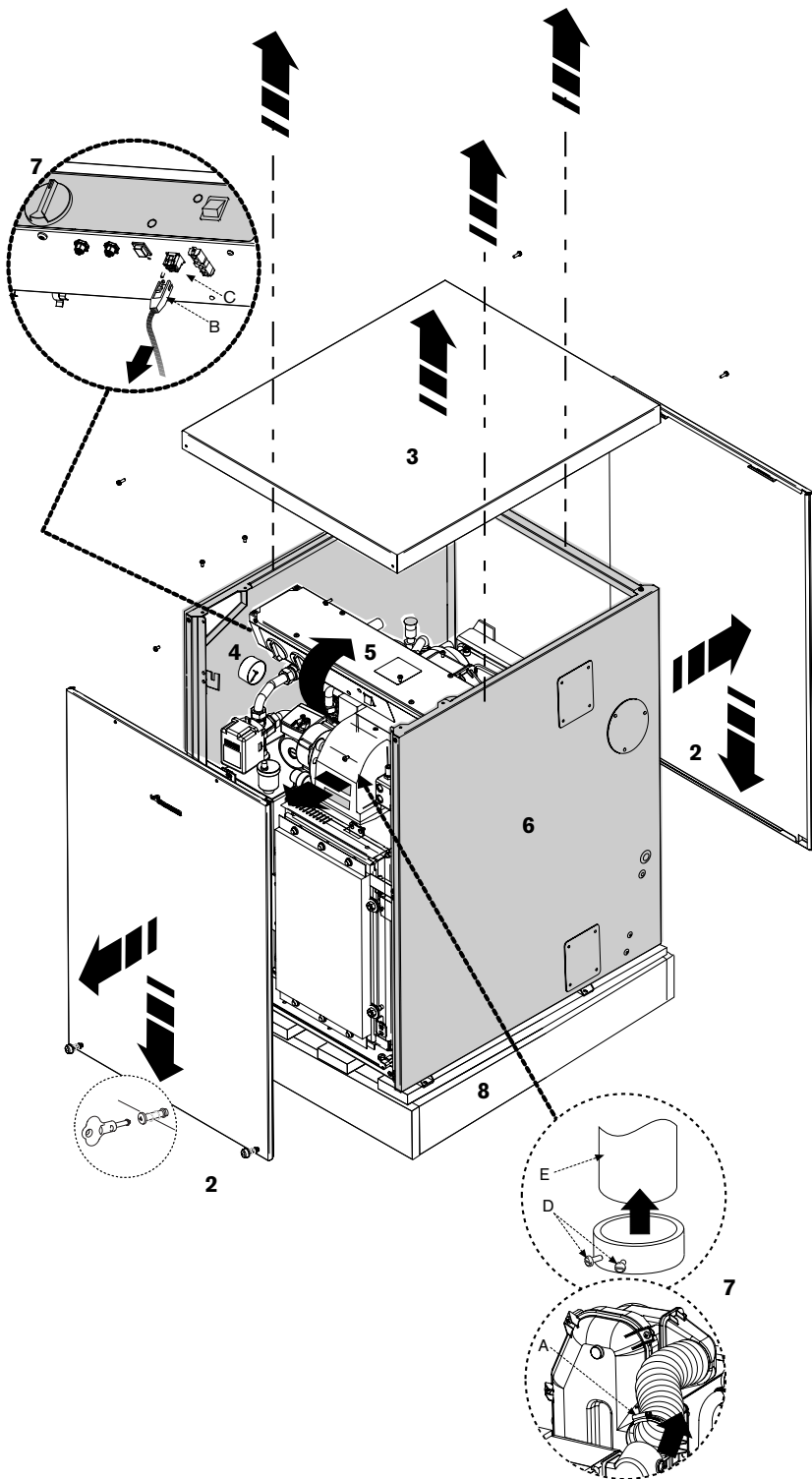
INSTALLATION

**WARNING: THIS APPLIANCE IS SERVICED AND REPAIRED EXTERNALLY.
EXTERNAL EQUIPMENT OPERATED AT 230V SHOULD NOT BE INSTALLED, SERVICED OR REPAIRED UNDER ADVERSE WEATHER CONDITIONS.**

THIS APPLIANCE IS INSTALLED AND SERVICED EXTERNALLY TO THE PROPERTY, BUT THE ENGINEER MUST HAVE ACCESS TO THE INSIDE OF THE PROPERTY WHEN INSTALLING OR SERVICING THE APPLIANCE.

BOILER INSTALLATION

Note: The cabinet is not load bearing it only provides weather protection for the boiler inside.



- 1 ▶ Mark position of the 100mm services duct on the exterior wall and make a hole through.
- 2 ▶ Remove the key for the door fasteners from its transport position in the left hand side panel flue outlet aperture. Undo the screws at the bottom of the front panel (using the key provided) and remove the screws from the rear panel pulling both panels out and down to remove. Store safely away from the installation point.
- 3 ▶ Remove the screws from the top panel and lift up to remove, store safely away from the installation point.
- 4 ▶ Slide the pressure gauge up out of its bracket and carefully rest on top of the heat exchanger taking care not to snag or kink the capillary.
- 5 ▶ Remove the screws securing the control box to the side panels and carefully rest the control box on top of the heat exchanger taking care not to snag or kink the capillaries.
- 6 ▶ Remove the screws securing the side panels to the base panel and lift the side panels off complete with the rear support bar (shaded grey) and carefully stand the panels away from the installation point.
- 7 ▶ Loosen the flexible air duct clamp (A) and remove the air duct from the burner.
 - ▶ Depress the locking ears to unplug the burner lead (B) from the control box (C).
 - ▶ Unscrew the burner retainers (D), then withdraw the burner (E) from the boiler and store safely away from the installation point.
- 8 ▶ Remove the screws securing the base panel to the transit pallet and lift the boiler off the pallet and into its installation position taking care not to scrape the base panel across the hard standing. **Do not attempt to lift and position the boiler on your own. Do not use the copper pipes to move the boiler.**
 - ▶ Fasten the base to the hard standing using the holes provided. Care should be taken to ensure that the base is level.
- 9 ▶ Refit the side panels and rear support bar and screw the side panels to the baseplate and boiler.
 - ▶ Refit the control box and pressure gauge taking care not to kink the capillary tubes.
 - ▶ Measure the 100mmØ services duct to give at least 10mm inside the casing and to finish flush with the interior wall surface, cut to size and fit the duct. Fit the 100mm sealing ring where the duct enters the casing and seal the joint to the exterior wall and inside the cabinet with a suitable sealant.

INSTALLATION

FLUE INSTALLATION

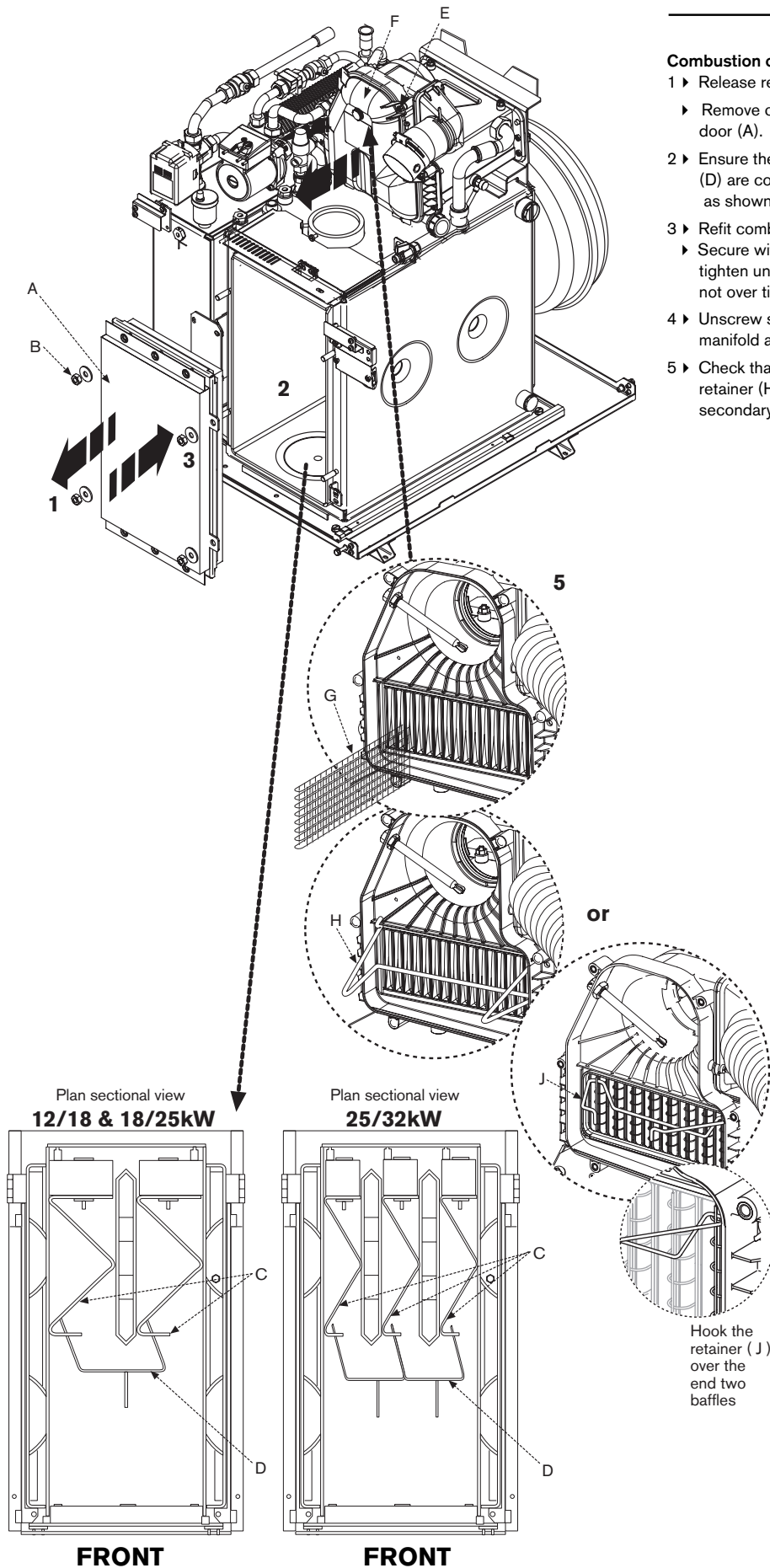
INSTALLATION NOTES:

- ▶ Ensure all the seals are in good condition and seated properly.
- ▶ To ease assembly of flue components, grease seals lightly with the solvent free grease supplied.
- ▶ A terminal guard must be fitted if the terminal is 2m or less above a surface where people have access.

All flue options:

- 1 ▶ Lightly grease the flue cowl seal with the solvent free grease supplied.
- 2 ▶ Carefully remove the blanking plate from the appropriate flue aperture (if necessary) and refit the blanking plate in the unused aperture.
- 3 ▶ Carefully remove the insulation from the flue aperture in the cabinet that the flue is to pass through, and fit to the unused aperture (if necessary).
- 4 ▶ Refer to the flue manual supplied with the flue kit for flue installation.

COMBUSTION CHAMBER



Combustion chamber:

- 1 ▶ Release retaining nuts and washers (B).
 - ▶ Remove combustion chamber access door (A).
- 2 ▶ Ensure the baffles (C) and baffle retainer (D) are correctly fitted for the boiler output as shown in the plan views opposite.
- 3 ▶ Refit combustion chamber door (A).
 - ▶ Secure with nuts and washers (B) and tighten until the door is firmly secured, do not over tighten the nuts.
- 4 ▶ Unscrew screws (E) and remove flue manifold access cover (F).
- 5 ▶ Check that all the baffles (G) and baffle retainer (H) or (J) are correctly fitted to the secondary heat exchanger.

CAUTION: ISOLATE THE OIL & WATER MAINS SUPPLY BEFORE STARTING ANY WORK AND OBSERVE ALL RELEVANT SAFETY PRECAUTIONS.

PIPEWORK CONNECTIONS

- A - CH flow 22mmØ copper (28mmØ on 25/32 models)
- B - DHW flow 22mmØ
- C - Water main inlet 15mmØ
- D - CH return 22mmØ copper (28mmØ on 25/32 models)
- E - 10mmØ oil supply pipe connection
- F - Oil isolating valve (10mmØ)
- G - Flexible oil hose
- N - Optional open vent/air vent
- O - Drain/optional feed and expansion
- P - Fixing point for optional return oil pipe

WATER CONNECTIONS:

- ▶ All service pipes into the property must pass through the services duct.
- ▶ Insulate all the system/supply pipes where the pipes pass through the duct with at least 22mm insulation around the pipes.
- ▶ Remove the transit bungs from the pipework connections on the boiler.

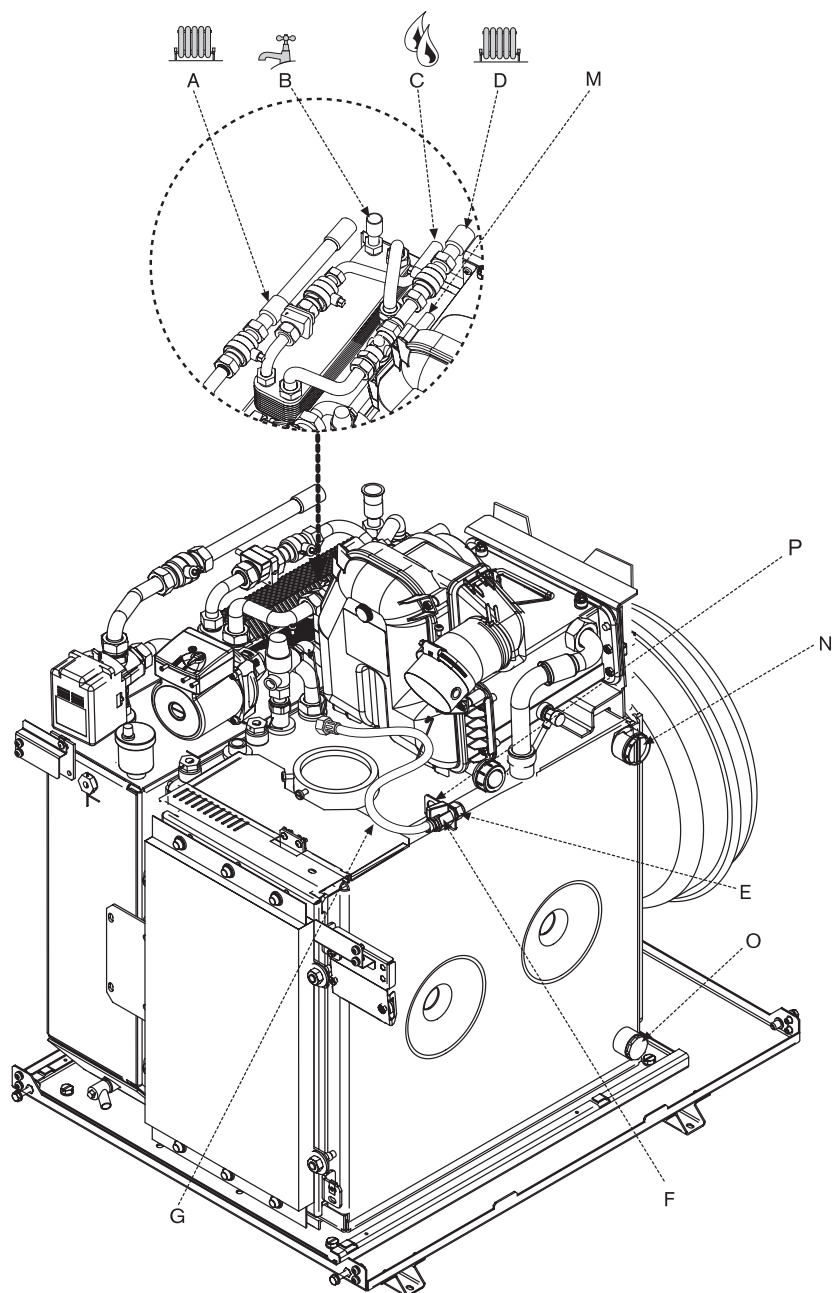
NOTE: that surplus water may be present due to factory testing.

- ▶ Ensure all pipework is clean.
- ▶ Align water pipework through the 100mm Ø duct and connect, ensuring that the expansion tank and control box fit correctly before permanently connecting the pipework.
- ▶ Check that all unused sockets have been capped.

OIL SUPPLY CONNECTIONS:

NOTE: Oil filters and de-aeration devices are not to be fitted within the casing and the fire valve body must be at least 1 metre from the external casing.

- ▶ Route the oil supply pipe through the appropriate casing hole as required and connect to the isolating valve (F) and ensure the valve is closed.
- ▶ Connect the flexible oil hose (G) to the isolating valve (F).
- ▶ Pass the fire valve sensor through the most appropriate casing hole and locate the capillary in the cut out at the bottom of the hole.
- ▶ Clip the sensor into the clip provided at the rear of the control box.
- ▶ Rotate the cover plate and seal so it does not cover the capillary, then secure with the screws provided.



PIPEWORK CONNECTIONS

- H - Flue manifold condensate outlet
- J - Condensate outlet (21.5mmØ) - supplied
- K - Condensate pipe - not supplied
- L - Condensate trap with clamp - supplied
- M - Pressure relief (15mmØ)

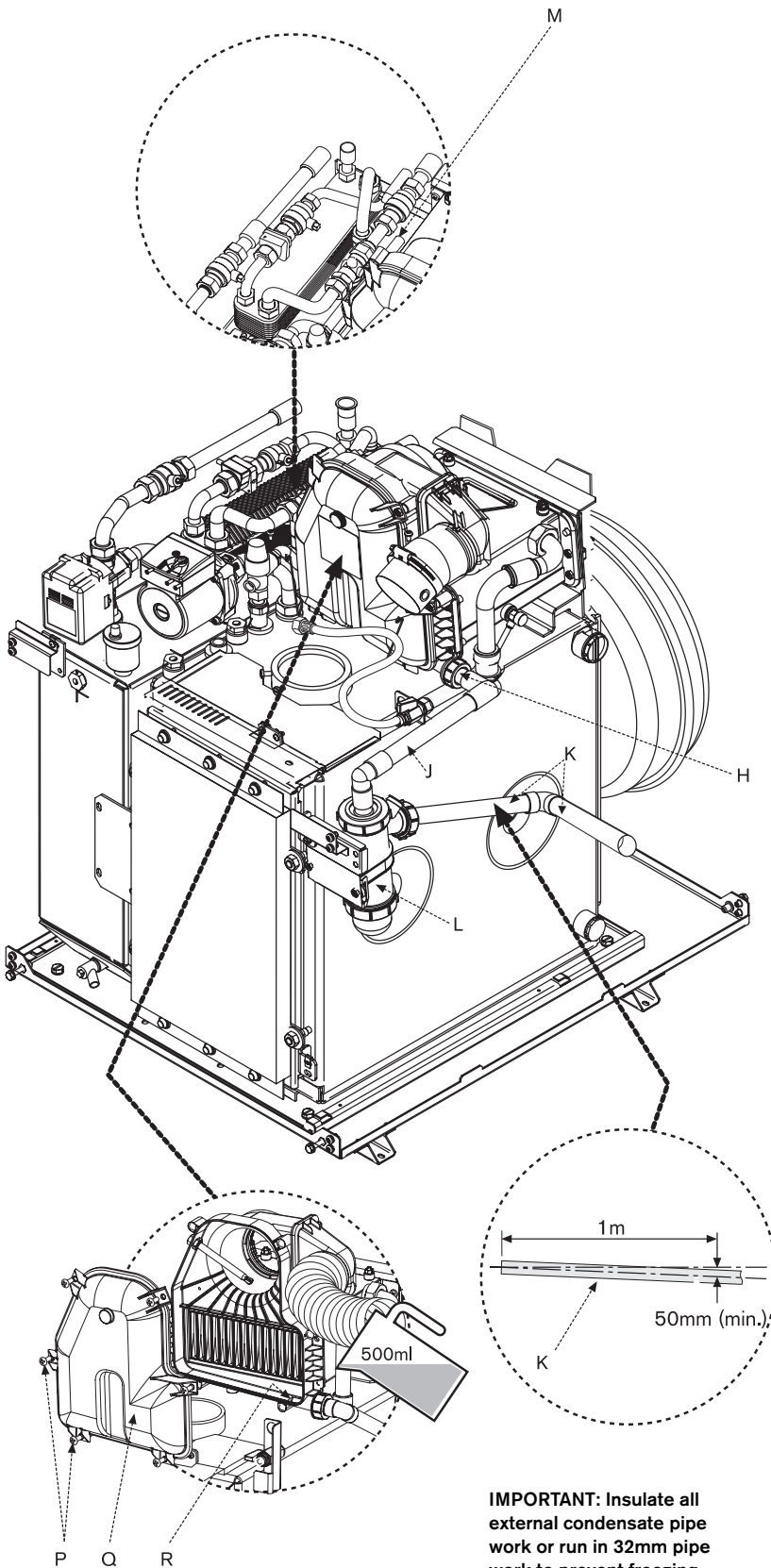
CONDENSATE CONNECTION:

- ▶ The condensate trap (L) must be installed onto the bracket supplied.
- ▶ Measure condensate pipe (J) mark and cut square to length required.
- ▶ Fit sealing washer inside condensate pipe nut and connect to the flue manifold outlet (H).
- ▶ Connect 21.5mm polypropylene pipe (K) (not supplied) to the condensate pipe (J) and condensate trap (L) before terminating to waste.
- ▶ Secure the condensate trap (L) with clamp supplied.
- ▶ Ensure that the condensate pipe runs away from the boiler at a constant fall of 50mm (min.) for every metre.
- ▶ Carefully pour 500ml of water into the condensate collection (R) to fill condensate trap.
- ▶ Check the water is running away and the condensate pipework joints are water tight.
- ▶ Check the flue manifold seal is undamaged and seated correctly.
- ▶ Refit flue manifold access cover (Q) and secure with screws (P).

IMPORTANT: The condensate trap must be correctly filled to prevent the possibility of potentially harmful flue products escaping via the condensate pipework.

PRESSURE RELIEF CONNECTION:

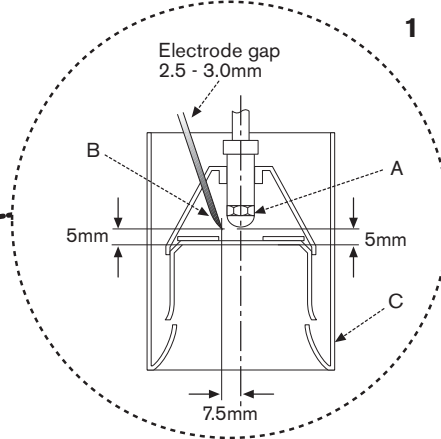
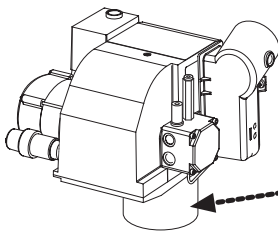
- ▶ Connect the pressure relief pipe (M) to a copper discharge pipe (15mmØ min.) and terminate externally to the appliance casing.
- ▶ Blank all unused casing holes with the bungs or cover plates and seals supplied. The drain/fire valve capillary hole covers should be rotated so that the unused capillary slot is covered by the cover plate and seal.
- ▶ Refit rear panel.
- ▶ Seal all joints where pipes pass through the casing, with suitable waterproof sealant.



IMPORTANT: Insulate all external condensate pipe work or run in 32mm pipe work to prevent freezing.

OIL BURNER & PUMP

12/18 & 18/25 kW

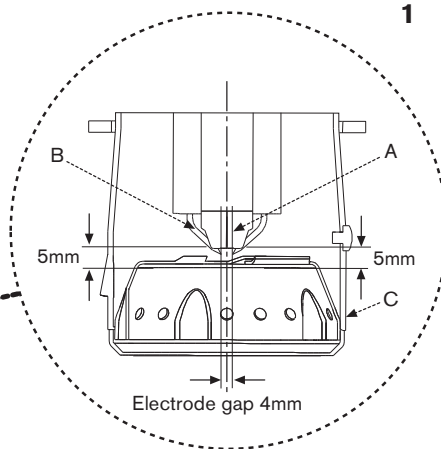
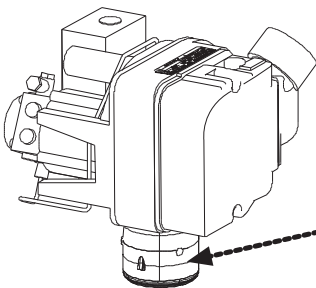


CAUTION: ISOLATE THE OIL & WATER MAINS SUPPLY BEFORE STARTING ANY WORK AND OBSERVE ALL RELEVANT SAFETY PRECAUTIONS.

OIL BURNER:

- Check the nozzle (A) and electrode (B) settings are correct for the relevant burner as shown opposite.
- Ensure nozzle (A) is aligned centrally within the combustion head (C).
- Inspect for any visible defects.

25/32 kW



IMPORTANT: Whenever replacing the combustion head, ensure that the photocell is lined up with the sight hole.

OIL PUMP:

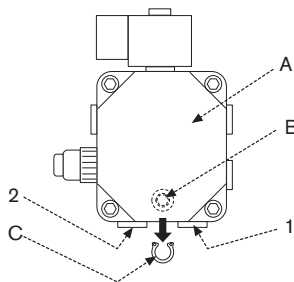
Connecting the oil pump for a single pipe system:

The pump is factory set for single pipe operation with the flexible oil hose fitted. Check connections before use.

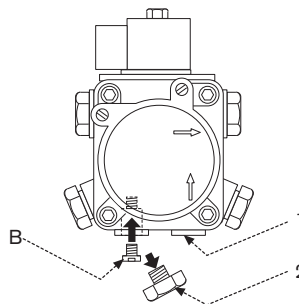
Converting the oil pump for a double pipe system:

- Check the inlet hose connection.
 - DANFOSS BFP 11 L3:**
 - Remove pump front cover (A) ensuring a suitable receptacle is used to catch any oil residue.
 - Remove changeover screw (B).
 - Remove horseshoe washer (C).
 - Refit changeover screw (B).
 - Refit front cover (A).
 - Remove oil pump return plug (2).
 - SUNTEC AS47C:**
 - Remove return port plug (2) and insert grub screw (B).
 - RIELLO RDB:**
 - Unscrew return plug (2).
 - Screw in by-pass screw (3).
- Connect the flexible oil return hose (not supplied) between the oil pump and the return line connection, and tighten to secure.

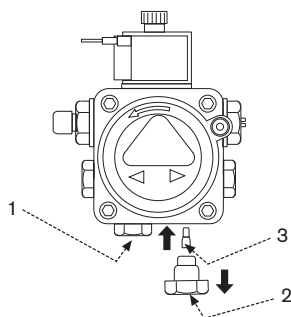
a) DANFOSS BFP 11 L3 OIL PUMP



b) SUNTEC AS47C OIL PUMP



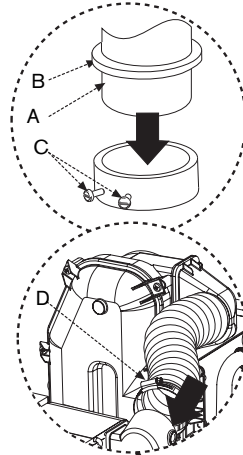
c) RIELLO RDB OIL PUMP



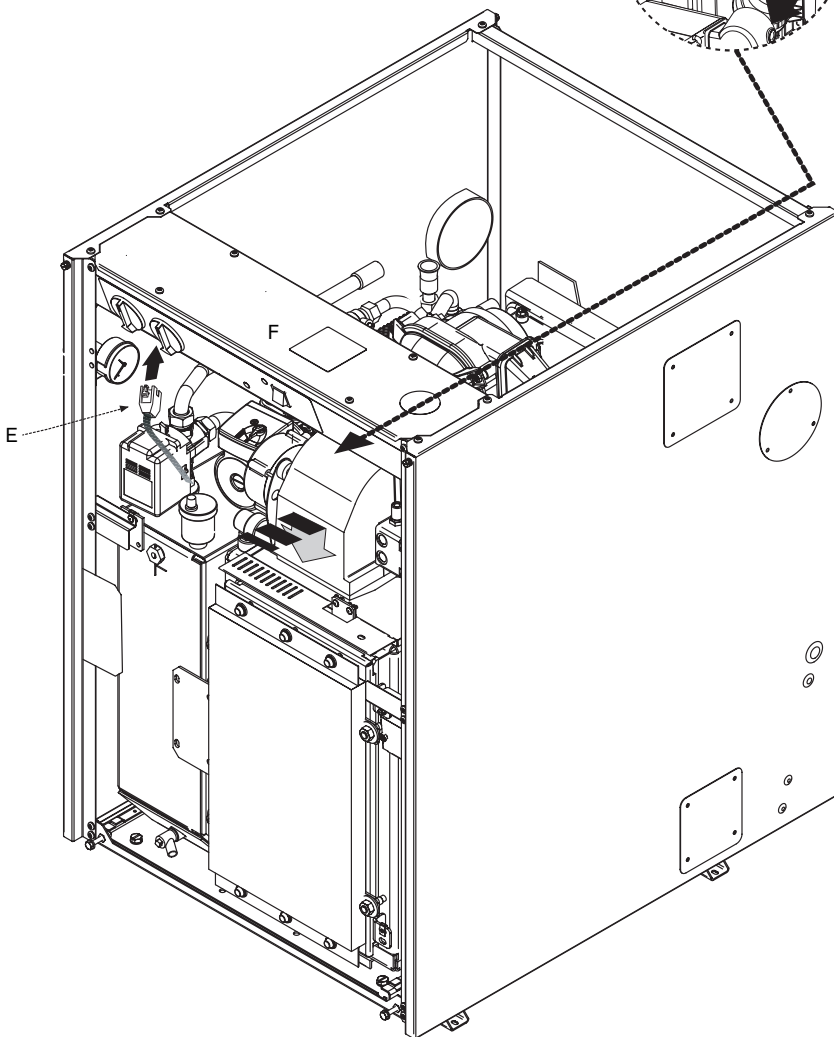
REFITTING COMPONENTS

- 1 ▶ Align burner combustion head (A) into boiler housing tube with gasket (B) correctly fitted.
 - ▶ Push firmly down to compress the gasket (B).
 - ▶ Tighten burner retainers (C) sufficiently to ensure a good seal.

IMPORTANT: Ensure the gasket is a good seal between the burner combustion head and the boiler housing to prevent flue gases escaping from the combustion chamber into the cabinet.



- ▶ Attach the flexible air duct and tighten clamp(D) to secure to the burner air intake.
- 2 ▶ Plug burner lead (E) into control box (F).



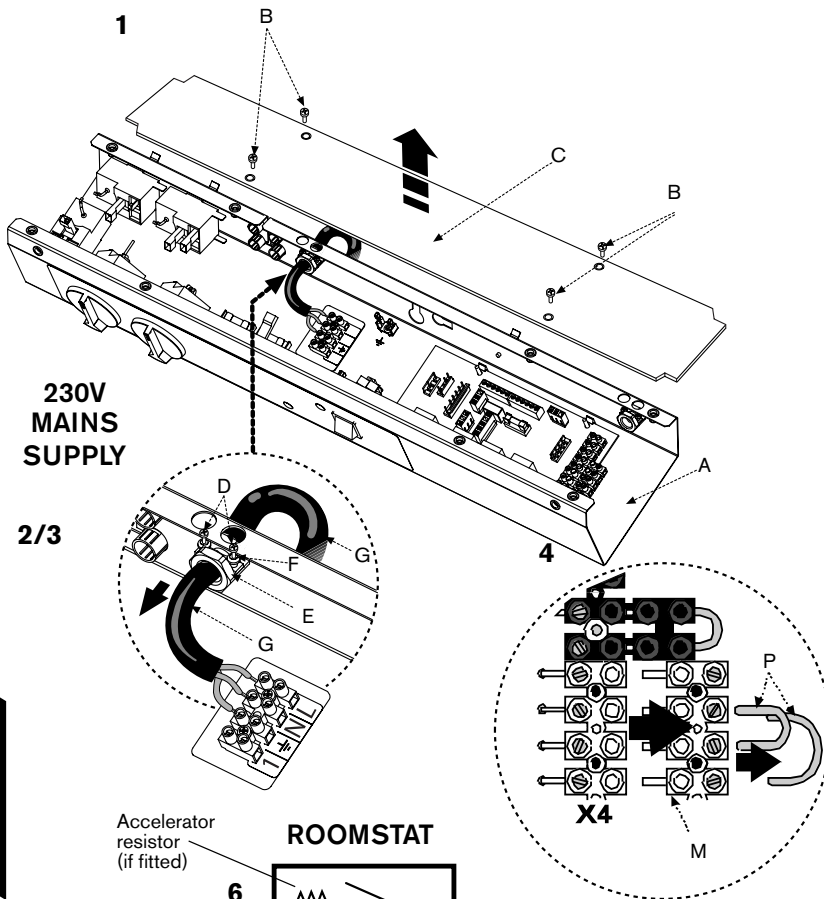
ELECTRICS

DANGER - 230V:
ISOLATE THE MAINS ELECTRICITY SUPPLY BEFORE STARTING ANY WORK AND OBSERVE ALL RELEVANT SAFETY PRECAUTIONS.

IMPORTANT: THIS APPLIANCE PROVIDES A PERMANENT EXTERNAL ELECTRICAL SUPPLY FOR SERVICING AND MUST THEREFORE BE FED VIA A CIRCUIT BREAKER INCORPORATING EARTH LEAKAGE PROTECTION.

IMPORTANT: OBSERVE ELECTRONIC STATIC DISCHARGE PRECAUTIONS. DO NOT TOUCH THE PCB CIRCUITS.

WARNING: EXTERNAL EQUIPMENT OPERATED AT 230 VOLTS SHOULD NOT BE SERVICED OR REPAIRED UNDER ADVERSE WEATHER CONDITIONS.



Access to 230V connections:

- Release screws (B) and remove cover panel (C) from control box (A).
- Release screws (D) from cable clamp (E).
 - Pull inner clamp part (F) outwards.
 - Feed sufficient power cable (G) through the cable clamp (E) and secure grip with screw (D).
 - Separate wires from cable end and strip to 6mm.

230V connections (terminal block X1):

- Connect LIVE wire (Brown) to terminal L.
- Connect NEUTRAL wire (Blue) to terminal N.
- Connect EARTH wire (Green/Yellow) to the connector \perp .

Route the power cable down the side panel and through the service duct to the internal property connection point avoiding any potentially hot surfaces.

Any external device connected to the boiler must take its power supply from the boiler supply only and must NOT have a separate supply.

External 230V programmer (terminal block X4):

- Remove 4 pin plug (M) from X4.
 - Remove test links (P) from plug block (M).
 - Connect wires to plug block (M) as shown.
 - Fit plug into terminal block X4.
 - Connect earth to terminal block X1 connector \perp .

230V room thermostat (terminal block X2):

- Remove link (K).
 - Connect LIVE supply to terminal Ls.
 - Connect SWITCHED LIVE supply to terminal LR.

NOTE: This is sometimes referred to as 'call for heat' or 'heating load'.

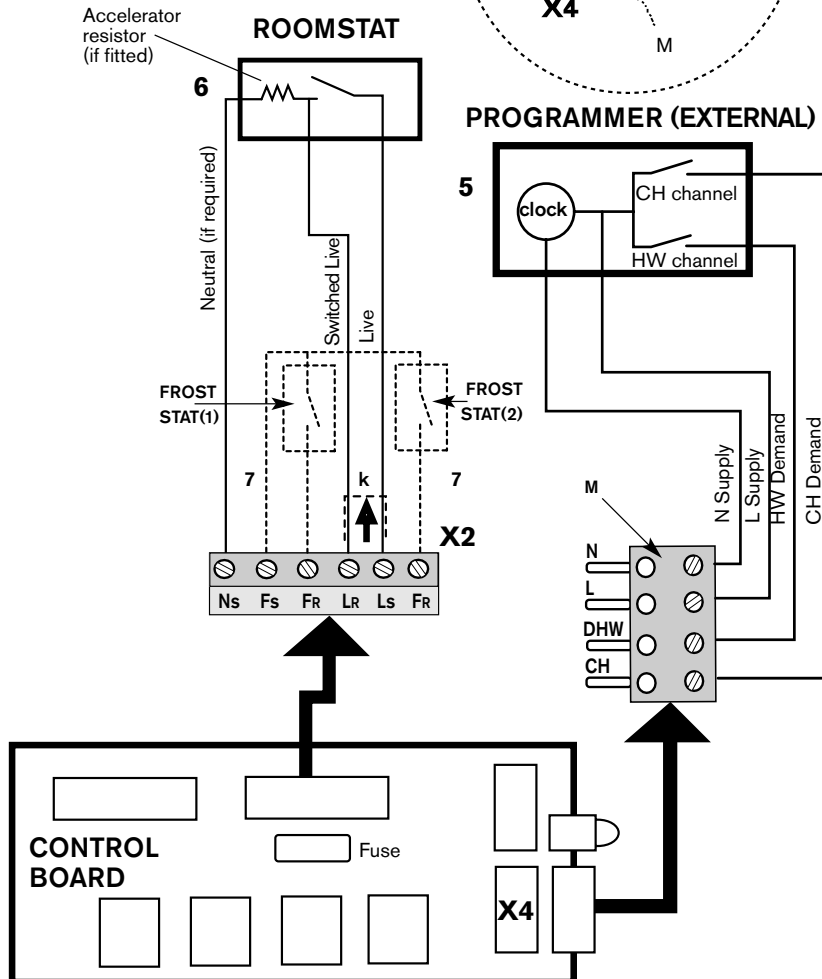
Connect NEUTRAL to terminal Ns.

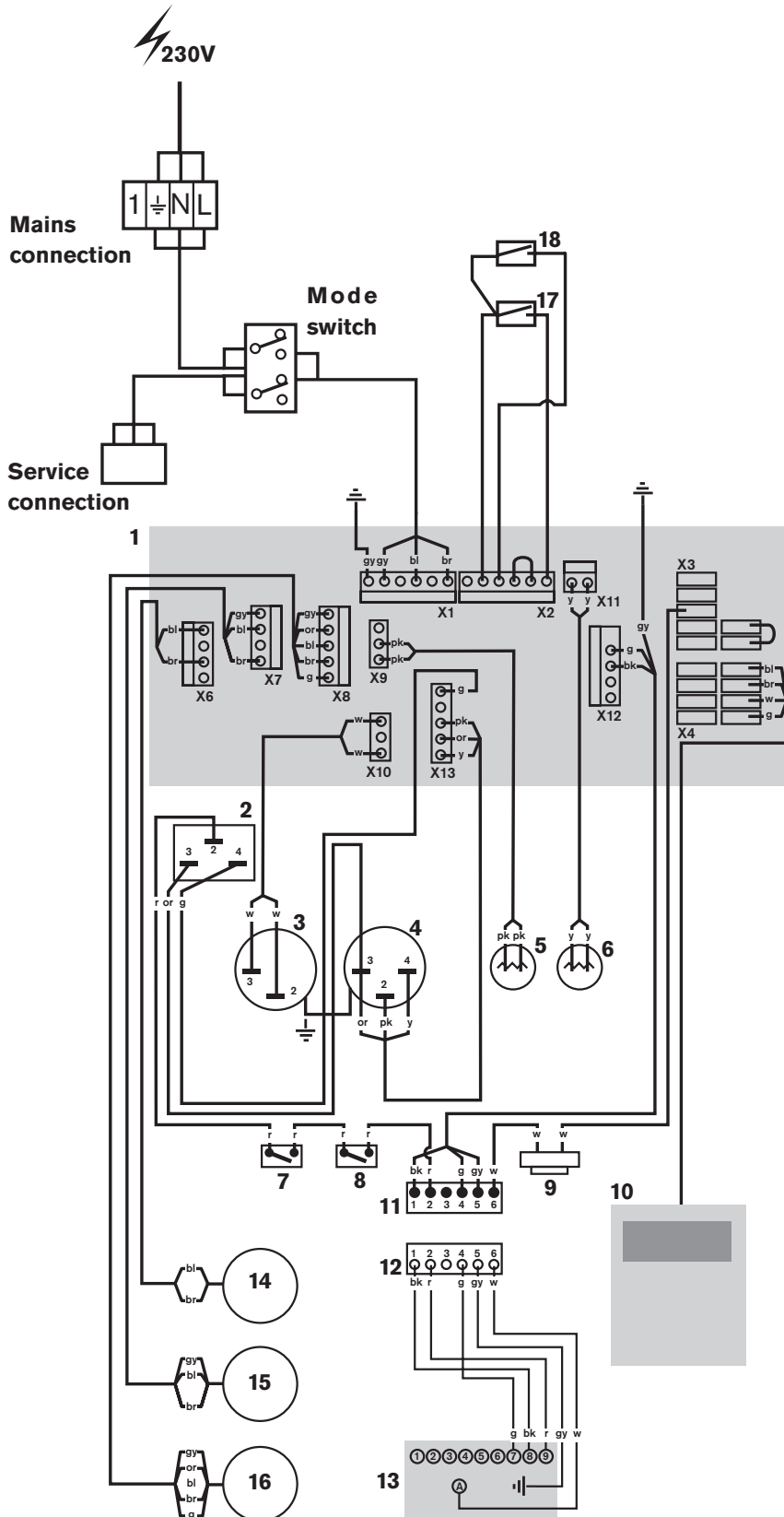
NOTE: Some devices do not require this.

Refit electric control panel cover:

- Refit panel (C) and secure with screws (B).

NOTE: Both frost thermostats are fitted as standard to the external appliance to provide frost protection.





Electrical components:

- 1 Printed circuit board
- 2 Thermostat - boiler high limit
- 3 Thermostat - DHW control
- 4 Thermostat - CH control
- 5 Indicator lamp - boiler mode
- 6 Indicator lamp - lock-out
- 7 Manual reset - overheat thermostat
- 8 Manual reset - flue overheat thermostat
- 9 Manual reset - burner lock-out
- 10 External programmer (not supplied)
- 11 Burner socket
- 12 Burner plug
- 13 Burner control box (12/18 & 18/25 shown)
- 14 Flow switch
- 15 Circulating pump
- 16 Diverter valve
- 17 Frost stat
- 18 Frost stat

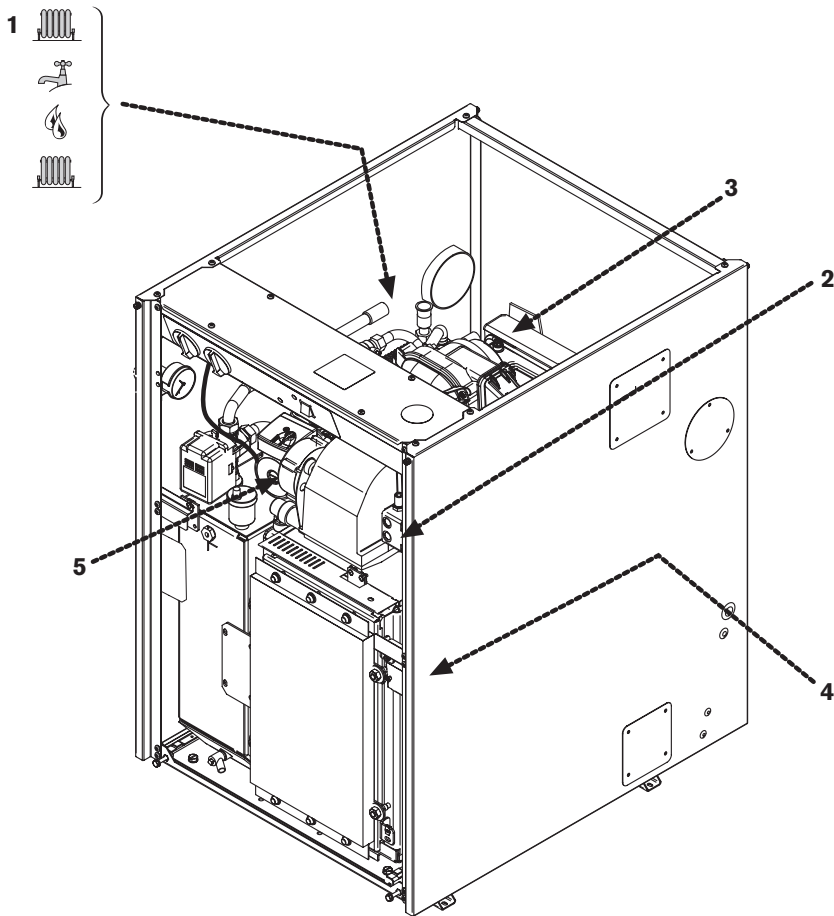
Wire colour code:

- br - Brown
- bl - Blue
- gy - Green/Yellow
- r - Red
- w - White
- y - Yellow
- g - Grey
- bk - Black
- or - Orange
- pk - Pink

INSTALLATION

PRE-COMMISSIONING CHECKS - APPLIANCE

CAUTION: ISOLATE THE MAINS SUPPLIES BEFORE STARTING ANY WORK AND OBSERVE ALL RELEVANT SAFETY PRECAUTIONS.



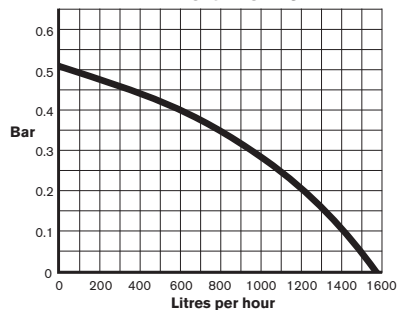
- 1 ▶ Check that the service and water pipes are connected correctly.
 - ▶ Check that all unused sockets are capped.
- 2 ▶ Check that the oil supply is kerosene and that the pipework is connected correctly to the oil pump via the supplied flexible oil hose.
 - ▶ Turn on the main oil supply valve at the tank, check the oil supply pipework and connections. Rectify any leaks.
- 3 ▶ Check the flue is correctly fitted and the connections are secure.
- 4 ▶ Check the condensate pipework is correctly fitted and connected.
 - ▶ Check the condensate trap is filled with water.
- 5 ▶ Check the CH circulating pump is set to 3.

NOTE: The CH circulating pump is preset to number 3 and should not be altered. The diagrams opposite show the pump outputs.

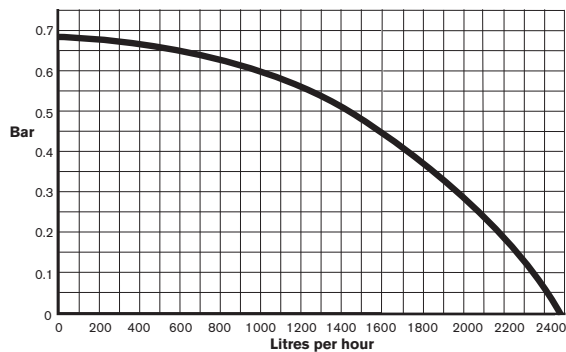
NOTE: The cabinet is not load bearing, it only provides weather protection for the boiler inside.

COMMISSIONING

12/18 & 18/25

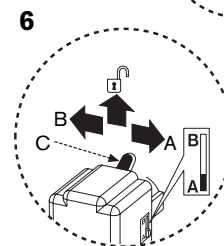
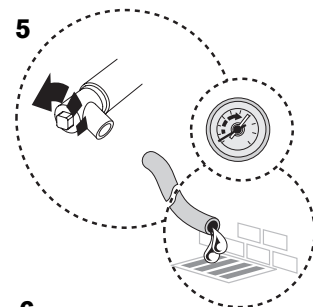
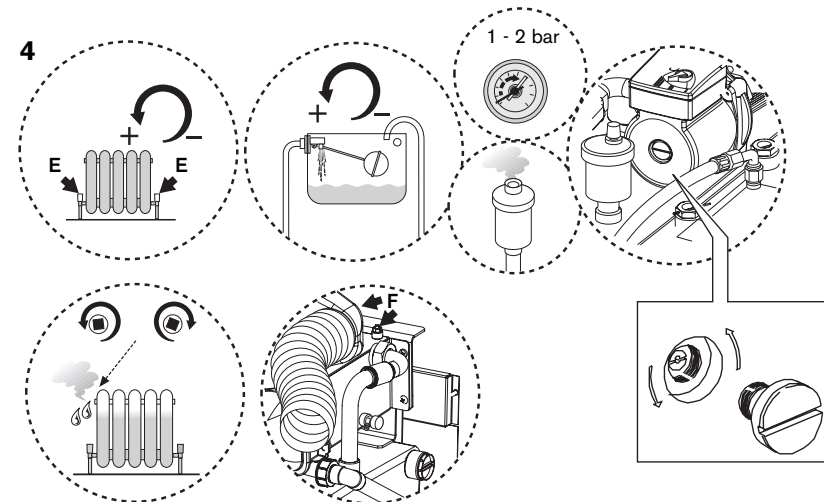
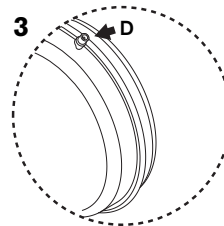
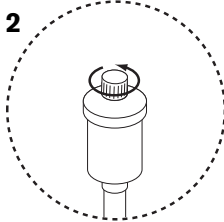
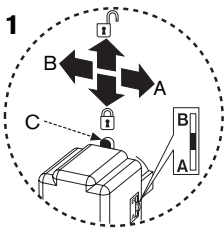


25/32



IMPORTANT: If the boiler is not to be commissioned immediately then:
 After successfully completing all of the checks and any rectification work, close the water valves, shut off the oil supply and electrically isolate the boiler.
 Complete the installation part of the Guarantee Registration Card, and complete a CD10 or its equivalent, to inform the LABC of the installation.

FILLING THE SYSTEM



- 1 ▶ Pull lever (C) up and push to the left to move the diverter valve to the mid-position between ports A and B.
 - ▶ Push and hold lever (C) down to lock.
- 2 ▶ Loosen the automatic air vent cover.
- 4 ▶ Sealed systems only; check and if required, adjust the expansion vessel pressure using the Schraeder type valve (D).

The charge pressure of the built-in 12 Litre expansion vessel is 0.5 bar as dispatched, which is equivalent to a static head of 5 metres (16.7 ft).

Total system volume (litres)	Initial system pressure (bar)	Initial charge pressure (bar)
180	0.5	0.5
107	1.0	0.5
138	1.0	1.0

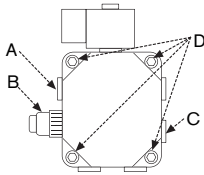
If an extra expansion vessel is fitted to the central heating return, adjust this to the same pressure as the appliance internal expansion vessel, refer to separate instructions supplied with the extra expansion vessel.

- 4 ▶ Open all system and radiator valves (E).
 - ▶ Turn on the water main stop cock.
 - ▶ Open vented systems only; turn on the water to the system feed and expansion cistern and allow the system to fill.
 - ▶ Sealed systems only; fill the system to between 1 and 2 bar pressure via a WRAS approved filling link. Monitor the pressure gauge during venting and repressurise if required.
 - ▶ Check air is being discharged from the automatic air vent.
 - ▶ Vent all radiators, retighten when completed, check the system and correct any leaks.
 - ▶ Bleed air from both of the secondary heat exchanger air vents (F).
 - ▶ Bleed air from the pipework using the pump bleed screw.
- 5 ▶ Sealed systems only; connect a suitable hose to the Heatslave tank drain. Open the drain valve to reduce the system to the correct pressure, then close the drain valve. Ensure safe disposal of the discharge. Rotate the adjustable pointer on the pressure gauge to record the set system pressure.
- 6 ▶ Check system and rectify any leaks.
 - ▶ Push lever (C) to the left and pull upwards to allow the lever to return to position A.
 - ▶ **Leave the lever (C) unlocked at position A.**

STARTING THE APPLIANCE

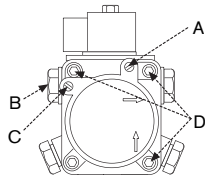


**DANFOSS
BFP 11 L3 OIL PUMP**

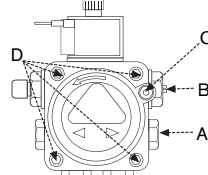


- A - Bleed & pressure gauge port
- B - Pressure adjustment
- C - Vacuum gauge port
- D - Retaining screws - cover

**SUNTEC
AS47C OIL PUMP**



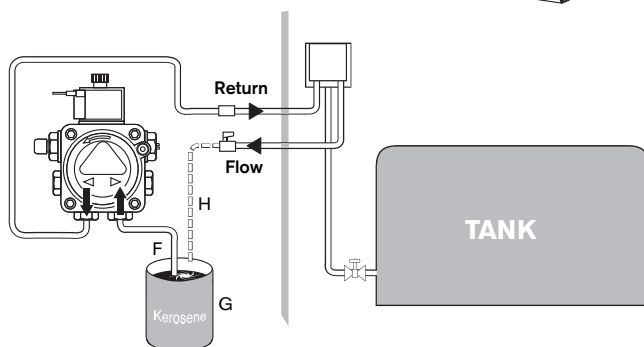
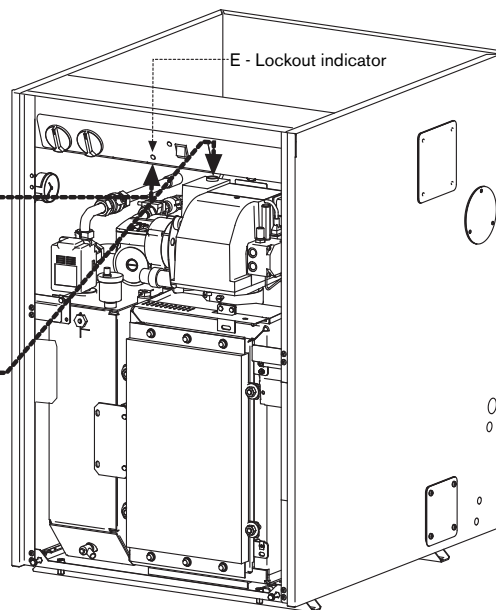
**RIELLO
RDB OIL PUMP**



BURNER LOCKOUT

**BURNER LOCKOUT RESET
BUTTON (D) FOR 12/18
& 18/25 MODELS**
(Under control box)

**BURNER LOCKOUT RESET
BUTTON (D) FOR
25/32 MODEL**
(On top of burner control box)



IMPORTANT: Never run the appliance when the appliance/system is unpressurised (sealed systems) or empty.

- 1 ▶ Check the oil supply is correctly fitted and in good working order before turning on the oil supply valves to the boiler.
- ▶ Turn on the main oil supply valve at the tank and draw off at least 2½ litres of oil until a steady flow of clear uncontaminated oil can be seen as follows:

- **The oil supply to the boiler should be primed before the burner is operated to avoid unnecessary pump wear.**

- **The use of an oil suction pump will prime and flush through any oil supply set up simply and easily, alternatively the following procedures can be used.**

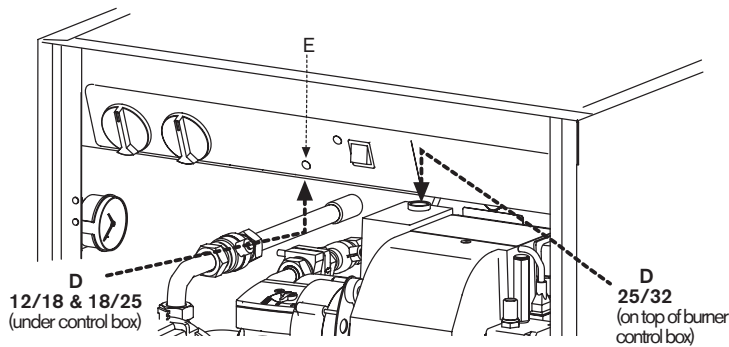
▶ Single pipe gravity feed systems:

- ▶ Disconnect the flexible oil hose and open the isolating valve to discharge the oil into a suitable container.
- ▶ If a top entry tank has been used the pipework will need to be primed before the oil will discharge under gravity.
- ▶ When completed, close the isolating valve, reconnect the flexible oil hose.

▶ Double pipe sub-gravity feed systems and single pipe suction lift with de-aerator:

- ▶ To prime a de-aerator, disconnect the flexible oil inlet hose (F) from the isolation valve and place in a container of kerosene (G). Connect a spare flexible oil hose (H), to discharge into container (G). Open the isolating valve, turn on the power to the boiler and set the programmer to ON. Prime the de-aerator until there is a steady flow of oil into container (G). Turn off the boiler then reconnect the flexible oil inlet hose (F).
- ▶ Turn on the boiler, the oil level in the de-aerator will drop as the oil is used until the oil is drawn from the tank. If the de-aerator empties and the burner locks out before the oil is drawn from the tank, prime the de-aerator again.
- ▶ Open the isolating valve and the oil pump bleed valve (A) to discharge into a suitable container once the boiler is started up.
- ▶ Switch on the electricity supply to the boiler.
- ▶ Set the programmer to ON for CH and DHW.
- ▶ Turn on the boiler CH control thermostat.
- ▶ Allow the burner to run through to lockout indicated by the illumination of the lockout indicator (E).
- ▶ Wait 2 minutes then press the lockout reset button (D).
- ▶ Repeat the procedure at least 3 times or until a steady stream of oil, without air, runs from the bleed port, then relock the bleed port (A).
- ▶ Switch off the boiler.
- ▶ Remove the oil pump filter, clean with kerosene and refit.
The internal filter is accessed by removing the oil pump cover on the Danfoss BFP 11 L3, Suntec AS47C and Riello RDB.
- ▶ Safely dispose of the container/discharge.

2



STARTING THE APPLIANCE

- 2 ▶ Remove plastic cover from the burner casing (there is no plastic cover on the Riello burner).
- ▶ Fit a suitable pressure gauge to port (A) on the oil pump.
- ▶ Adjust the air shutter (L) and pump pressure (B) as shown in the table opposite. The burner should ignite following a pre-ignition period of approx. 15 seconds.

Boiler lockout indicator on:

If the burner fails to establish a normal firing pattern or flame failure occurs the flame monitoring photocell mounted in the burner body will alert the burner control box to shut the burner down and provide a safe lockout state indicated by the illumination of the lockout indicator (E).

- ▶ Wait 2 minutes then press the lockout reset button (D) to initiate another start sequence.
- ▶ Repeat procedure until a flame is established.
- 3 ▶ Start and run for 3 minutes then switch off.
- ▶ Check for after-sputtering from the nozzle, indicated by oil saturation on the combustion head (F).

If after-sputtering occurs:

- ▶ Release the burner retainers.
- ▶ Remove the burner, combustion head (F) and electrodes, hold the burner vertical to unscrew the nozzle and fill the nozzle holder with oil.
- ▶ Refit nozzle, electrodes, combustion head (F) and the burner.
- ▶ Restart and run for 3 minute intervals until after-sputtering stops.
- 4 ▶ Start and run for 20 minutes.
- ▶ Remove sampling point plug (K) to check the smoke reading is between 0-1. If the smoke level is above 1, check the combustion settings are correct and the oil nozzle is in good condition.

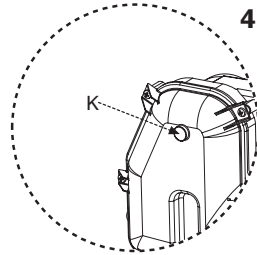
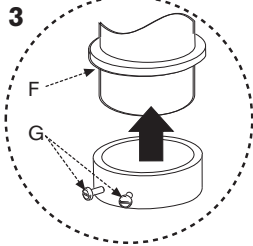
Note: smoke readings may be inaccurate until the smoke from burning organic binder in the access door insulation has ceased.

- ▶ Check the CO₂ levels and adjust the air shutter (L) setting according to the table opposite.
- ▶ Check the flue gas temperature is close to the values shown in the table.

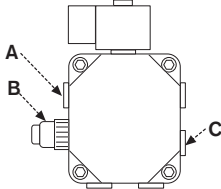
If the flue gas temperature is too high and the baffles are correctly fitted, then reduce the oil pump pressure (B) 5-10p.s.i. to compensate for nozzle variations.

- ▶ Turn off the electrical supply.
- ▶ Isolate the oil supply to the burner.
- ▶ Remove the oil pressure gauge.
- ▶ Refit the blanking plug (A).
- ▶ Check and rectify any oil leaks.

- 5 ▶ Switch on the oil supply.
- ▶ Switch on the electrical supply.
- ▶ Restart the boiler and run for 5 minutes.
- ▶ Recheck the CO₂ levels and if required, adjust the air shutter setting (L) to obtain the correct CO₂ level.

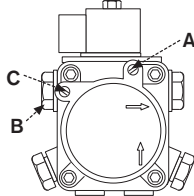


DANFOSS BFP 11 L3 OIL PUMP

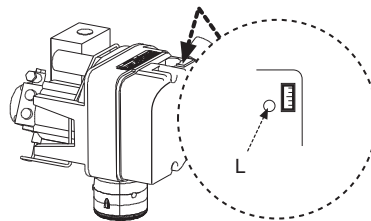
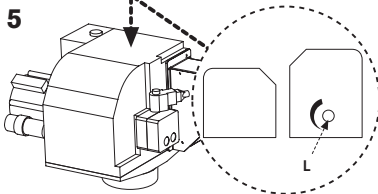
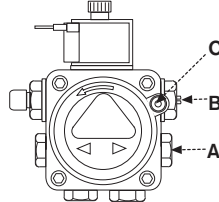


- A - Bleed & pressure gauge port
- B - Pressure adjustment
- C - Vacuum gauge port

SUNTEC AS47C OIL PUMP



RIELLO RDB OIL PUMP



NOMINAL BOILER RATING AT NORMAL OPERATING TEMPERATURE USING 28sec KEROSENE:

NOZZLE	OIL PUMP PRESSURE (p.s.i.)	FUEL FLOW RATE		APPROX. FLUE GAS TEMP °C	%CO ₂	APPROX. AIR SETTING	APPLIANCE			
		Kg/h	l/h				INPUT		OUTPUT	
							kW	Btu/hr	kW	Btu/hr
12/18 - Bentone Sterling 40 Burner:										
0.35 80°SR	115	1.04	1.32	66	11.5	2.5	12.4	42300	12	40900
0.45 80°S	115	1.29	1.63	70	12.0	4.5	15.5	52900	15	51200
0.50 80°ES	140	1.55	1.96	73	12.5	5.25	18.6	63500	18	61400
18/25 - Bentone Sterling 50 Burner:										
0.50 80°EH	130	1.56	1.98	72	11.5	4.25	18.6	63500	18	61400
0.55 80°EH	145	1.86	2.36	79	12.0	6.0	22.2	75750	21.5	73400
0.65 80°EH	150	2.17	2.75	82	12.5	8.0	25.8	88000	25	85300
25/32 - Riello RDB Burner:										
0.75 60°ES	105	2.15	2.72	78	11.5	3.0	25.5	87000	25	85300
0.75 60°ES	140	2.45	3.1	80	12.0	4.0	29.1	99300	28.5	97200
0.85 60°ES	150	2.75	3.48	83	12.5	5.0	32.7	111600	32	109200

COMMISSIONING

STARTING THE APPLIANCE

Domestic hot water:

- 1 ▶ Set the CH/DHW programmer to OFF.
 - ▶ Fully open a hot water tap.

The burner should be OFF and the circulating pump ON.

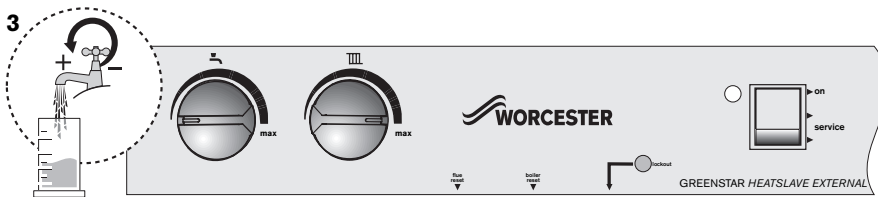
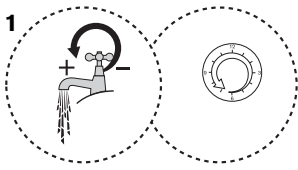
- 2 ▶ Close the hot water tap.
 - ▶ Set the DHW thermostat control (C) to minimum as shown.
 - ▶ Set the programmer to DHW ON. The burner should be ON with the circulating pump to heat the water in the Heatslave external tank.

When minimum set temperature is reached the burner and circulating pump will switch off.

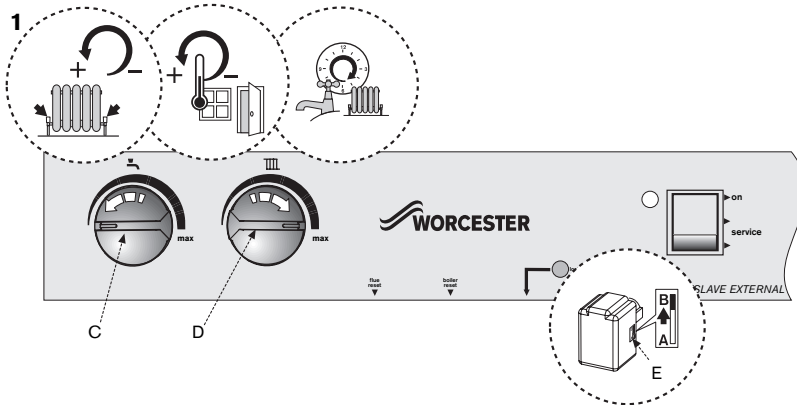
- 3 ▶ Fully open a hot water tap. The burner should be ON with the circulating pump.
 - ▶ Check the water flow rate using a suitable measuring container;
 - 12/18kW 15 litres/min
 - 18/25kW 18 litres/min*
 - 25/32kW 22 litres/min*
 - * Manually regulate using the water main inlet isolating valve on the boiler.

- 4 ▶ Fully close the hot water tap.
 - ▶ Check the burner and circulating pump** switch off.

***The high limit thermostat may activate pump overrun until the correct temperature is restored.*



STARTING THE APPLIANCE

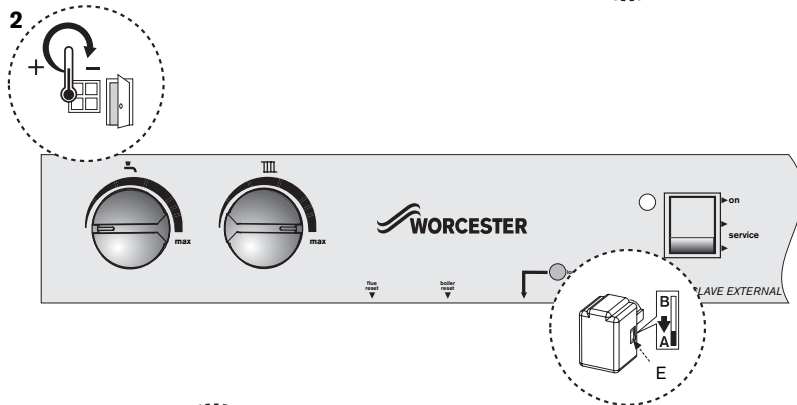


Central heating:

- 1 ▶ Open all radiator valves.
- ▶ Set room thermostat to maximum.
- ▶ Set programmer to ON for CH.
- ▶ Turn the DHW thermostat control (C) fully anti-clockwise.
- ▶ Turn the CH thermostat control (D) to max.

The burner should be ON with the circulating pump. The diverter valve (E) should open to port B for CH.

- ▶ Ensure all radiators are heating up evenly and balance the system to the temperature difference required across the heating flow and return relevant to the heating load.

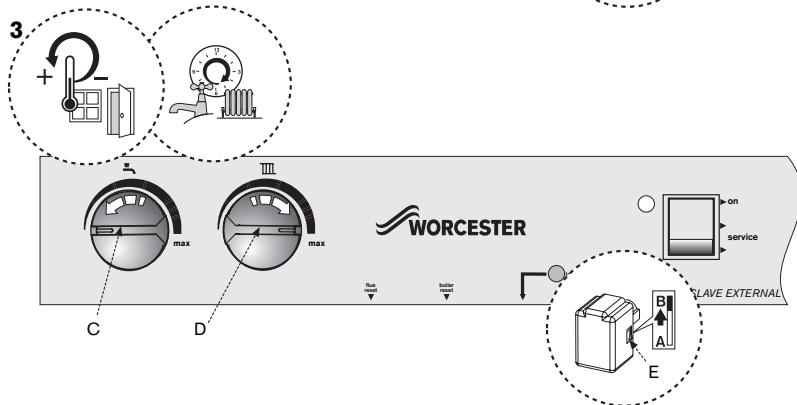


- 2 ▶ Set the room thermostat to minimum. The burner and circulating pump should be off. The diverter valve (E) should return to port A for DHW (default).

Domestic hot water & central heating:

- 3 ▶ Set the room thermostat to maximum.
- ▶ Set the programmer to ON for DHW & CH.
- ▶ Turn the DHW thermostat control (C) fully anti-clockwise.
- ▶ Set the CH thermostat control (D) to max.

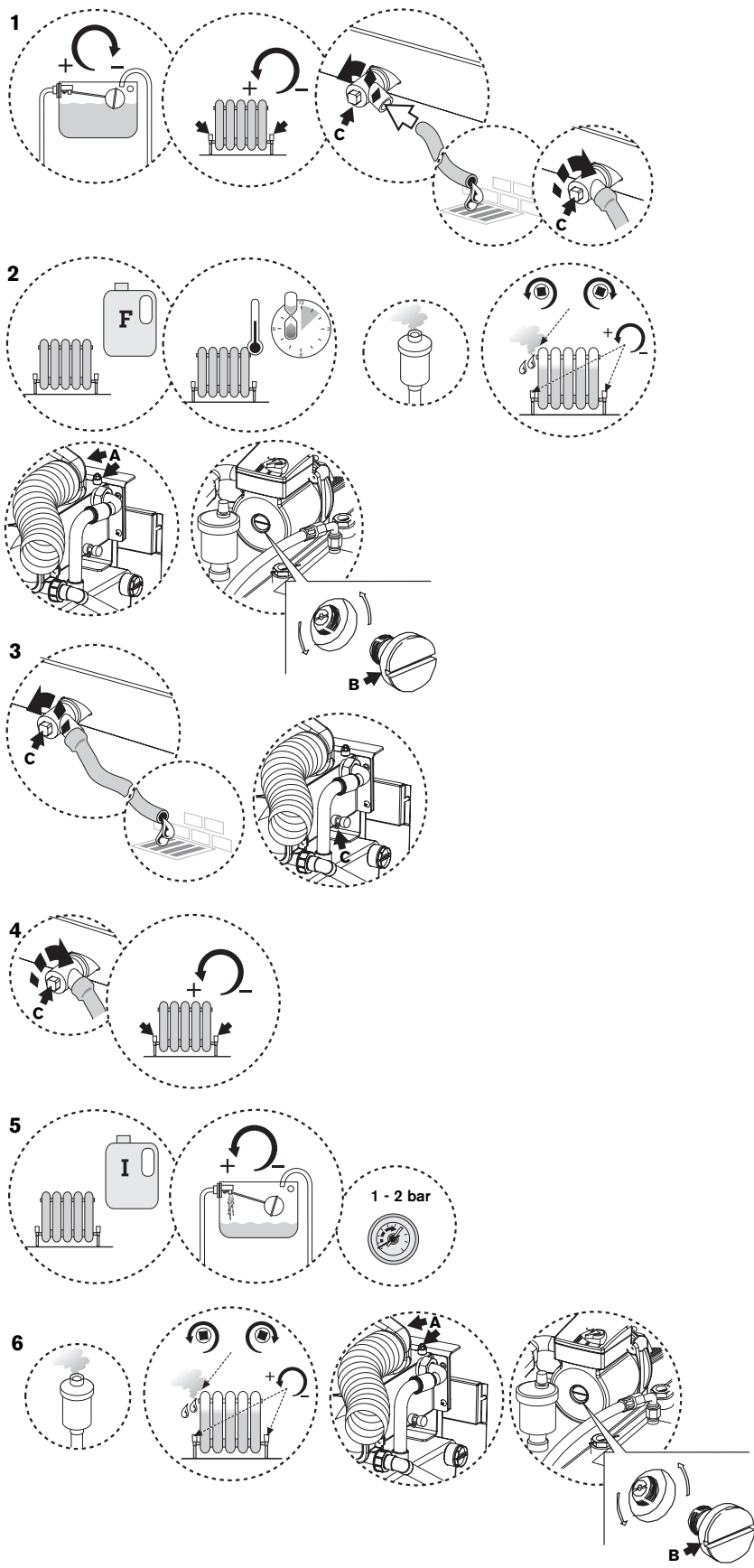
The burner should be ON with the circulating pump. The diverter valve (E) should open to port B for CH.



- 4 ▶ Set the DHW thermostat control (C) to max. The diverter valve (E) should move to port A and divert the flow to the Heatslave tank.



IMPORTANT: Debris from the system can damage the boiler and reduce efficiency. Failure to comply with the guidelines for the use of water treatment with the appliance will invalidate the appliance warranty.



FLUSHING (Central Heating):

- 1 ▶ Switch off the boiler.
 - ▶ Open vented systems only: turn off the water to the system header tank.
 - ▶ Open all radiator valves/drain cocks (C) and drain the system while the appliance is hot.
 - ▶ Close drain cocks (C).
- 2 ▶ Add a suitable flushing agent (F) and refill the system at the correct strength for the system condition in accordance with the manufacturer's instructions.
 - ▶ Vent the boiler (there are two vent points (A) at the top of the secondary heat exchanger. Only one may be in use, the other may be obscured by side fluing. Always vent (A) and the vent screw (B) on the pump and all radiators.
 - ▶ Run the boiler/system at normal operating temperature for the time stated by the flushing agent manufacturer.
- 3 ▶ Drain and thoroughly flush the system and boiler to remove the flushing agent and debris (C).

INHIBITOR (Central Heating):

- 4 ▶ Check drain cocks (C) and manual air vents are closed and all radiator valves are open.
- 5 ▶ Add a suitable inhibitor (I), (or combined inhibitor/anti-freeze if the system is exposed to freezing conditions) to the heating system in accordance with the manufacturers instructions.

The inhibitor or combined inhibitor/anti-freeze must not cause damage to the materials within the boiler (mild steel, stainless steel, copper and brass) and any other materials/components within the system.

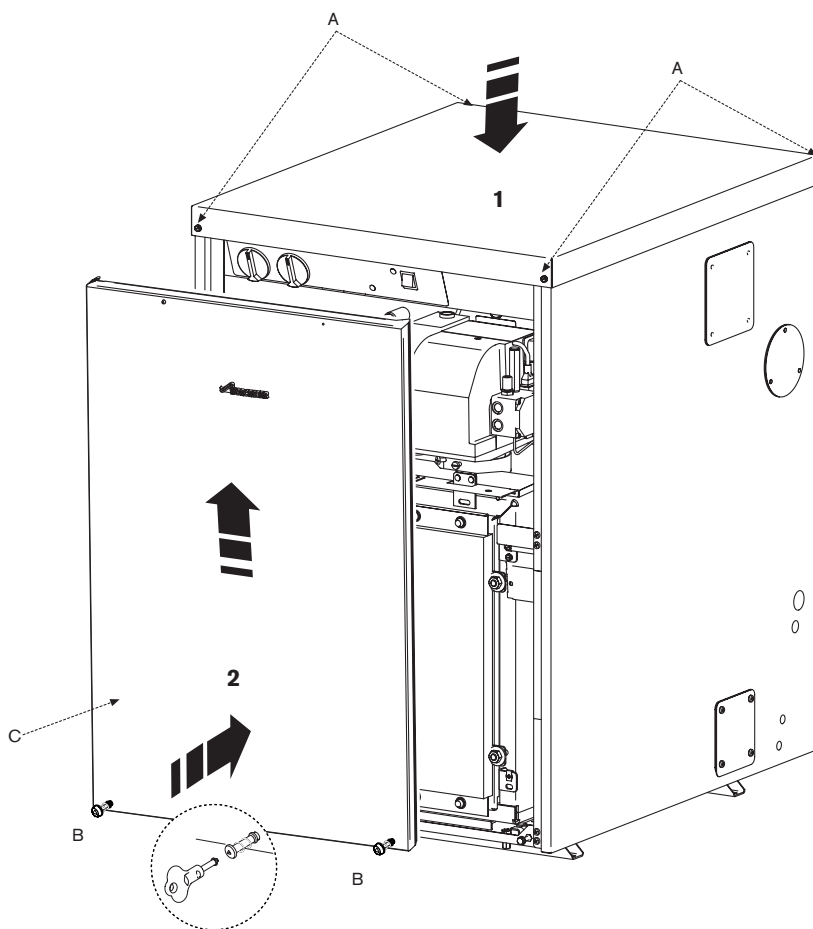
- ▶ Open vented systems only: turn on the water to the system header tank and allow the system to fill.
 - ▶ Sealed systems only: fill the system to between 1 and 2 bar via a WRAS approved filling loop. Check the system pressure during venting and repressurise if necessary.
- 6 ▶ Vent the boiler (there are two vent points (A) at the top of the secondary heat exchanger. Only one may be in use, the other maybe obscured by side fluing. Always vent (A) and the vent screw (B) on the pump and all radiators; retighten vents when complete.
 - 7 ▶ Record the date when the inhibitor was added to the system on the guarantee card.

NOTE: The concentration level of inhibitor in the system should be checked every 12 months or sooner if system content is lost.

The addition of sealing agents to the system water is not advised as this can cause problems with deposits left in the heat exchanger and invalidate the appliance and heat exchanger warranty .

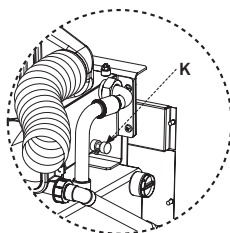
COMMISSIONING

FINISHING COMMISSIONING - APPLIANCE



- 1 ▶ Refit the top panel and press down to compress the seal when fitting the securing screws (A).
- 2 ▶ Push the front panel up behind the top panel and push in at the base to secure the screws (B) with the tool provided.

Always apply pressure at the edges of the panels when securing to avoid accidental damage.



Handover:

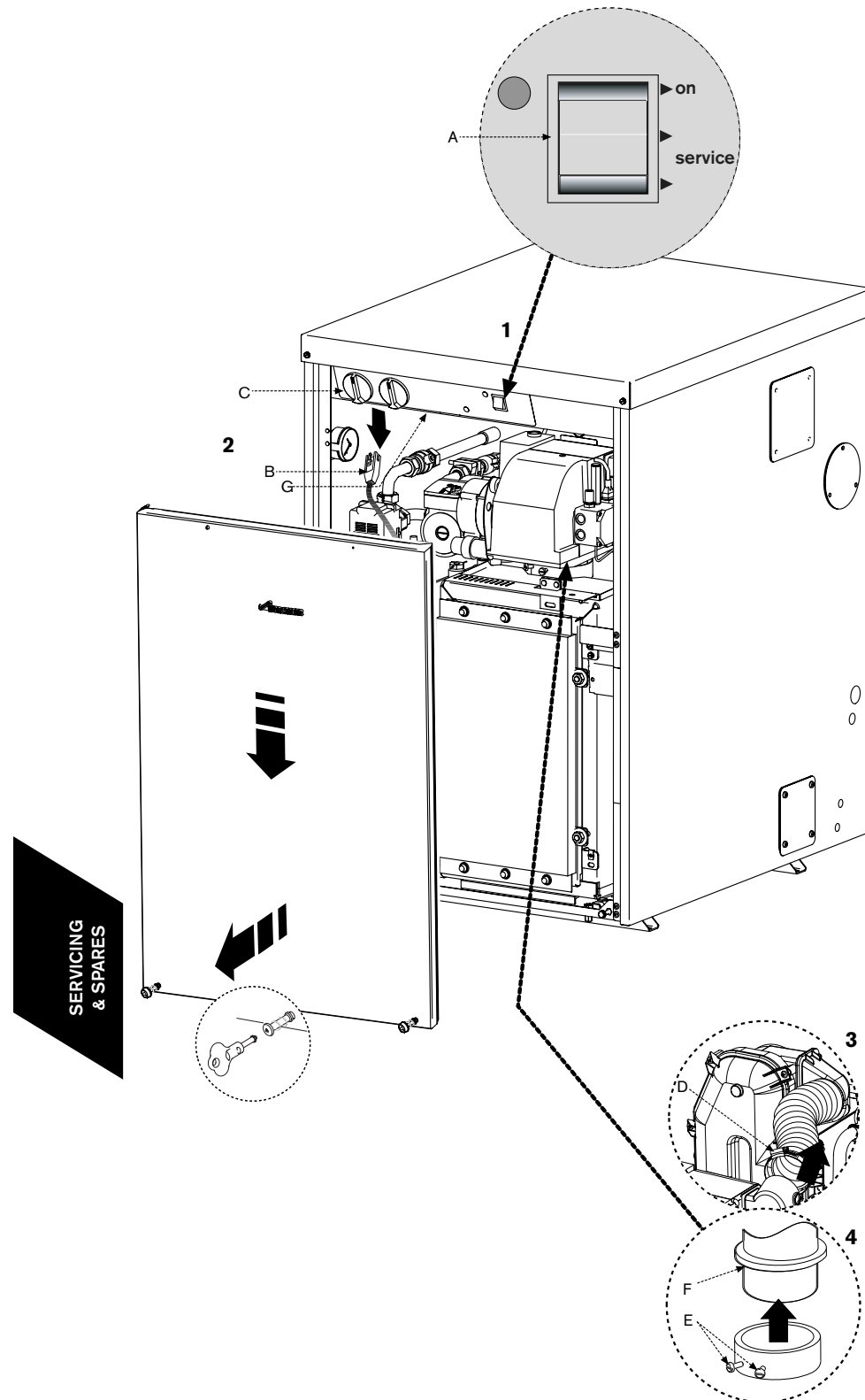
- ▶ Complete the guarantee registration card, combustion record (page 49) and a CD11 or an equivalent commissioning form.
- ▶ Set up the controls and show the user how to operate all the controls shown in the User Guide, and all system controls.
- ▶ Where applicable, instruct the customer how to repressurise the system.
- ▶ If the appliance is unused and exposed to freezing conditions, shut off all the mains supplies and drain the system and boiler to prevent damage to the system and boiler.

NOTE: Release drain point (K) to drain the secondary heat exchanger.

CAUTION: ISOLATE THE WATER, ELECTRICITY AND OIL MAINS SUPPLIES BEFORE STARTING ANY WORK AND OBSERVE ALL RELEVANT SAFETY PRECAUTIONS.

DO NOT USE PRESSURE WASHERS OR STEAM CLEANERS ON THIS APPLIANCE OR ITS CABINET.

WARNING: EXTERNAL EQUIPMENT OPERATED AT 230 VOLTS SHOULD NOT BE SERVICED OR REPAIRED UNDER ADVERSE WEATHER CONDITIONS



Routine servicing:

To maintain efficient boiler operation, the following should be carried out at least once a year:

- ▶ Carry out a pre-service check and note any operational faults:

▶ Pre-Service Check:

- 1 ▶ Undo the screws at the base of the front panel using the tool provided and pull the panel down and out to remove. Store safely away from the working area.

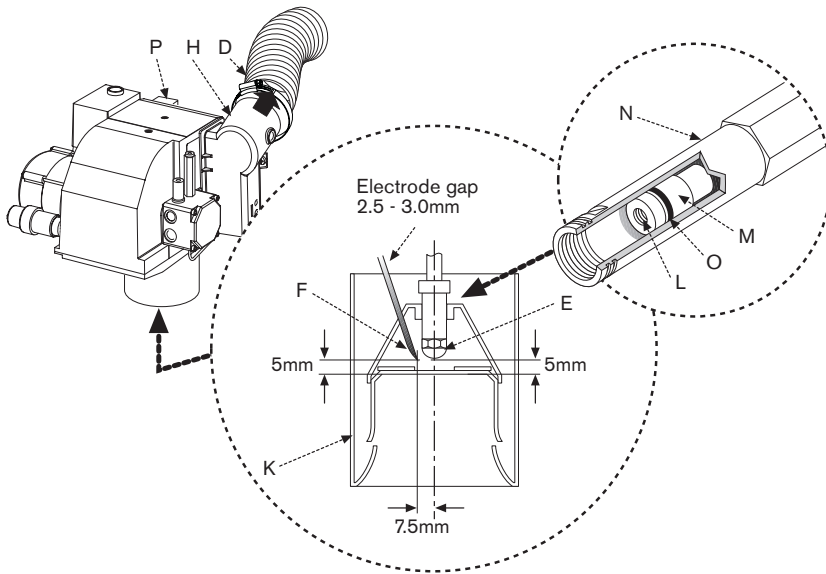
Operate the appliance and system and note any faults which may need to be corrected during the service.

- ▶ Switch into service mode at switch (A).
- 2 ▶ Depress locking ears and unplug burner lead (B) from control box (C).
 - An adapter lead is available to allow mains voltage service aids to be operated from the service connection (G). (Service lead Part No. 8 716 113 483 0).
- 3 ▶ Loosen clip (D) to detach air duct.
- 4 ▶ Unscrew burner retainers (E) to release the burner combustion head (F).
 - ▶ Lift burner away, taking care not to over strain the flexible oil hose/s or connections.

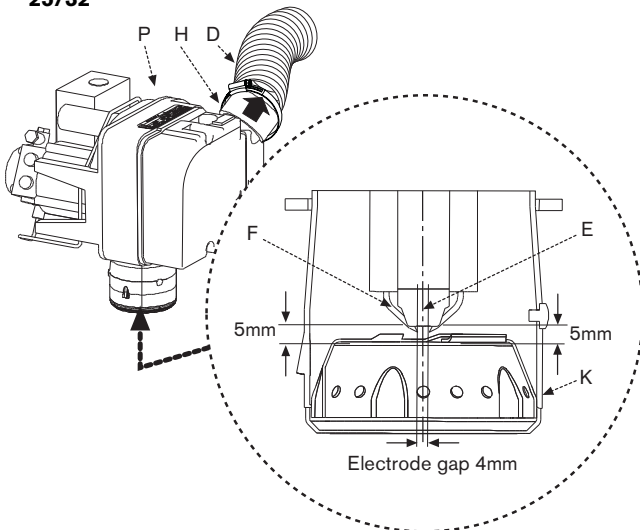
See the following instructions for detail of some of the service requirements listed below:

- ▶ Check and clean the burner.
- ▶ Replace burner nozzle and flexible oil hose/s.
- ▶ Check and clean the baffle retainers.
- ▶ Check and clean the baffles.
- ▶ Check and clean the heat exchangers surfaces.
- ▶ Check the combustion chamber access door insulation board.
- ▶ Check that the flue system is unobstructed and clean as necessary.
- ▶ Clean or replace all oil filters.
- ▶ Check that the condensate system is not obstructed, clean and refill the condensate trap as necessary.
- ▶ **Sealed systems only:** The PRV is a safety device and must be checked for correct operation. The expansion vessel pressure must be checked and adjusted as required.

12/18 & 18/25



25/32



1 Clean the Burner:

- ▶ Remove the air intake cover (H) and clear any debris from the air intake and air damper.
- ▶ Disassemble the burner to allow access to the fan impeller.
- ▶ Check the condition of the gaskets between these parts and replace if necessary.
- ▶ Note the position of the air damper adjustment and check the air damper moves freely.
- ▶ Clean both sides of the fan impeller and remove any debris from the burner housing.
- ▶ Check that the impeller rotates freely.
- ▶ Reassemble the components.
- ▶ Remove the combustion head (K) and thoroughly clean any deposits.
- ▶ Remove the nozzle (E).

2 12/18 & 18/25 Inspection of Mechanical Shut-off Valve:

- ▶ Fasten an M5 screw, with a minimum length of 30mm, into the threaded hole (L) and pull the screw to withdraw the check valve (M).
- ▶ Check that the nozzle holder (N) is clear of any debris and clean if necessary.
- ▶ Check that the three holes in the check valve (M) are clear of any debris. Check the condition of the 'O' ring (O). Discard the check valve if the holes cannot be cleared, if the unit is defective or if the 'O' ring is damaged and replace with a new one.
- ▶ Refit the check valve.

25/32

- ▶ Check the nozzle holder is clear of any debris and clean if necessary.

12/18, 18/25 & 25/32

- ▶ Fit a new oil atomising nozzle (E).

DO NOT dismantle the nozzle and DO NOT clean the nozzle tip.

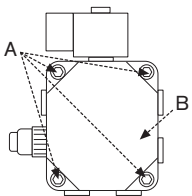
- ▶ Check the electrodes (F) and reset if necessary as shown opposite.
- ▶ Refit the combustion head. Check that the nozzle (E) lies centrally in the combustion head and the head settings are as shown. Ensure that the photocell is lined up with the sight hole.
- ▶ Withdraw the photocell (P) from its housing and wipe clean.
- ▶ Remove the oil pump internal filter, clean in kerosene and reassemble.

The internal filter is accessed by removing screws (A) and the oil pump cover (B) on the Danfoss BFP 11 L3, Suntec AS47C and Riello RDB.

- ▶ **Replace the standard flexible oil hose/s at every annual service to prevent the possibility of leakage due to ageing.**
- ▶ Reassemble the burner components.
- ▶ Check the sponge O-ring seal located around the combustion head and replace if necessary.

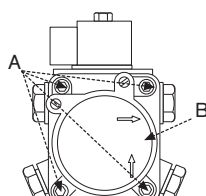
This seal must be in good condition since failure will cause flue gases to escape into the cabinet.

**DANFOSS
BFP 11 L3 OIL PUMP**

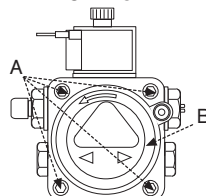


- A - Retaining screws - cover
- B - Cover - oil pump

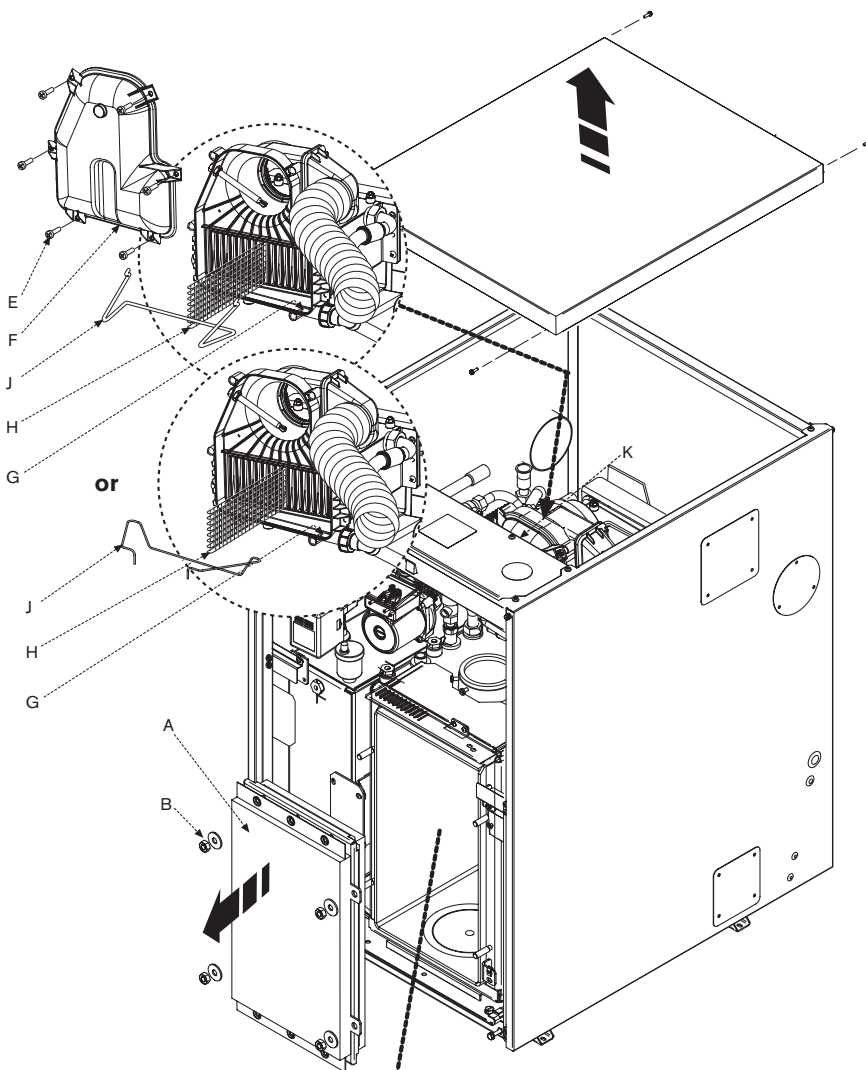
**SUNTEC
AS47C OIL PUMP**



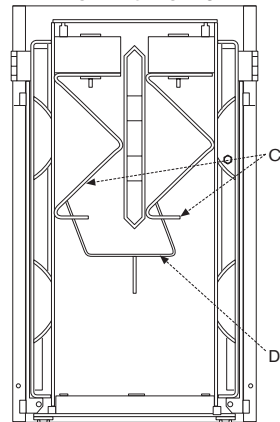
**RIELLO
RDB OIL PUMP**



SERVICING & SPARES

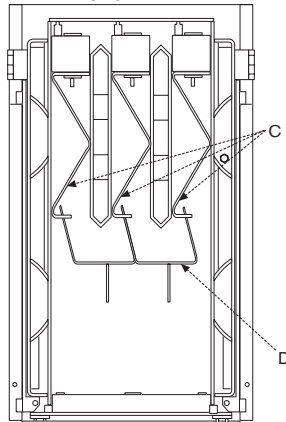


Plan sectional view
12/18kW & 18/25kW



FRONT

Plan sectional view
25/32kW



FRONT

SERVICING
& SPARES

External oil filter:

- ▶ Remove the paper element from the external oil filter and replace it. If the filter contains a washable element, thoroughly clean in kerosene and reassemble into the filter.

Clean the boiler:

Manifold access:

- ▶ Remove top cover by releasing the screws at each corner and lift free.
 - ▶ Release screws (E) to remove the flue manifold access cover (F) and clear any debris.
 - ▶ Check the condensate route (G) is clear and clean the condensate trap and pipework.
 - ▶ Check the flue system and clean if necessary.
 - ▶ Remove the baffle retainer (J) and baffles (H) from the secondary heat exchanger.
 - ▶ Check and clean the secondary heat exchanger surfaces.
- NOTE: Do not use wire brushes and cleaning agents to clean the stainless steel secondary heat exchanger components.*
- ▶ Pour 500ml of water into drain (G) to refill the condensate trap.
 - ▶ Clean the secondary heat exchanger baffles (H) if necessary and refit correctly.
 - ▶ Refit the baffle retainer (J).
 - ▶ Check the seal on the manifold access cover (F) and replace if necessary.
 - ▶ Refit the flue manifold access cover (F) and secure with screws (E).

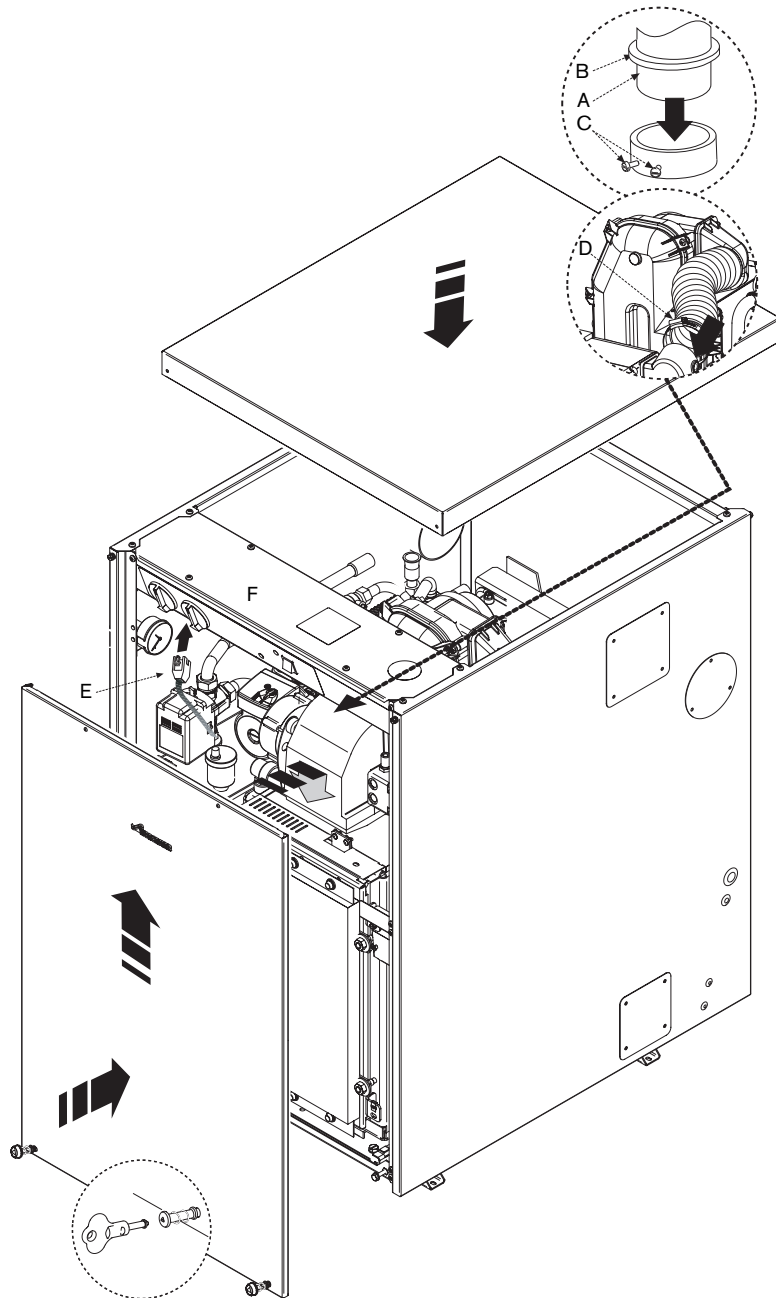
Combustion chamber:

- ▶ Release the M10 retaining nuts and washers (B) and remove combustion chamber access door (A).
- ▶ Check the fibreglass rope seal on the combustion chamber access door (A) and replace if necessary.
- ▶ Remove and check the baffle retainer (D).
- ▶ Remove the baffles (C), clean and check the condition of the baffles and the acoustic insulation. Replace any baffles or insulation pads considered to be badly corroded/degraded.
- ▶ Thoroughly clean all of the heat exchanger surfaces using a suitable brush and clear all loose debris from the combustion chamber.
- ▶ Check the condition of the combustion chamber access door insulation. If the insulation is damaged the door assembly must be replaced.
- ▶ Refit the items in reverse order ensure the baffles (C) and baffle retainers (D) are correctly fitted for the boiler output as shown in the plan view opposite.
- ▶ Refit combustion access door (A).
- ▶ Secure with nuts and washers (B) and tighten until the door is firmly secured, do not over tighten the nuts.

Fire valve:

- ▶ Check that the oil supply pipe has a fire valve fitted at least 1m away from the appliance with the fire valve sensor located within the appliance case. A fire valve sensor clip (K) is provided for this purpose.

INSPECTION AND SERVICE



Re-commission the burner:

- 1 ▶ Align burner combustion head (A) into the boiler housing tube with gasket (B) correctly fitted.
 - ▶ Push firmly down to compress the gasket (B).
 - ▶ Tighten burner retainers (C) sufficiently to ensure a good seal.

IMPORTANT:

Ensure the gasket is a good seal between the burner combustion head and the boiler housing to prevent flue gases escaping.

- ▶ Refit flexible air duct and secure with clip (D).
- 2 ▶ Plug burner lead (E) into control box (F).
 - ▶ Connect an oil pressure gauge to the oil pump, run the burner and check the oil pressure is correct for the required boiler output. Check that the smoke reading is between 0 and 1, if the smoke reading is above 1 check the air setting. If the air setting is correct check that the burner has been reassembled correctly.
- Allow the boiler to warm up then check the combustion settings are correct as indicated in the table below, adjust the CO₂ if necessary using the air shutter. When the combustion is correct turn off the boiler, remove the pressure gauge and refit the blanking plug and plastic cover.

Refit panels:

- 3 ▶ Refit the top panel and press down to compress the seal when fitting the securing screws.
 - ▶ Push the front panel up behind the top panel and push in at the base to secure the screws with the tool provided.

After service handover:

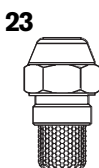
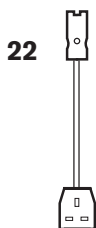
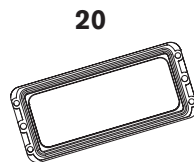
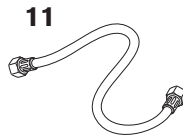
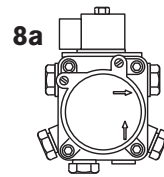
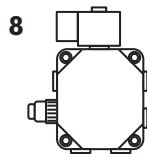
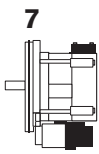
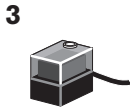
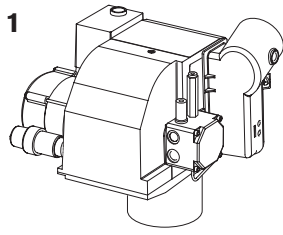
- ▶ Make a note of the date of any water treatment.
- ▶ Set the controls back to the users requirements.
- ▶ Complete the service interval record at the back of this manual and a CD11 or an equivalent form.
- ▶ If the appliance is unused and exposed to freezing conditions; shut off all the mains supplies, isolate the boiler and drain the system and boiler, including the secondary heat exchanger.

SERVICING
& SPARES

NOMINAL BOILER RATING AT NORMAL OPERATING TEMPERATURE USING 28sec KEROSENE:

NOZZLE	OIL PUMP PRESSURE (p.s.i.)	FUEL FLOW RATE		APPROX. FLUE GAS TEMP °C	%CO ₂	APPROX. AIR SETTING	APPLIANCE			
		Kg/h	l/h				INPUT		OUTPUT	
							kW	Btu/hr	kW	Btu/hr
12/18 - Bentone Sterling 40 Burner:										
0.35 80°SR	115	1.04	1.32	66	11.5	2.5	12.4	42300	12	40900
0.45 80°S	115	1.29	1.63	70	12.0	4.5	15.5	52900	15	51200
0.50 80°ES	140	1.55	1.96	73	12.5	5.25	18.6	63500	18	61400
18/25 - Bentone Sterling 50 Burner:										
0.50 80°EH	130	1.56	1.98	72	11.5	4.25	18.6	63500	18	61400
0.55 80°EH	145	1.86	2.36	79	12.0	6.0	22.2	75750	21.5	73400
0.65 80°EH	150	2.17	2.75	82	12.5	8.0	25.8	88000	25	85300
25/32 - Riello RDB Burner:										
0.75 60°ES	105	2.15	2.72	78	11.5	3.0	25.5	87000	25	85300
0.75 60°ES	140	2.45	3.1	80	12.0	4.0	29.1	99300	28.5	97200
0.85 60°ES	150	2.75	3.48	83	12.5	5.0	32.7	111600	32	109200

SHORT PARTS LIST 12/18



1 Burner - Sterling 40

Part Number: 8 716 112 507 0

2 Combustion head - burner

Part Number: 8 716 112 604 0

3 Control box Satronic DKO 970

Part Number: 8 716 142 396 0

4 Photocell Satronic MZ770s

Part Number: 8 716 156 692 0

5 Control box base Satronic S98 12 pole

Part Number: 8 716 142 782 0

6 Ignition electrode

Part Number: 8 716 156 683 0

7 Motor

Part Number: 8 716 156 645 0

8 Oil pump - Danfoss BFP 11 L3

Part Number: 8 716 142 736 0

8a Oil pump - Suntec AS47C

Part Number: 8 716 157 014 0

9 Transformer (Excludes cable)

Part Number: 8 716 156 696 0

10 Mechanical shut-off valve

Part Number: 8 716 156 658 0

11 Flexible oil line kit

Part Number: 8 716 106 346 0

12 Burner 'O' ring gasket

Part Number: 8 716 109 158 0

13 Heating control thermostat

Part Number: 8 716 107 621 0

14 Auto reset High Limit thermostat

Part Number: 8 716 107 640 0

15 Manual reset High Limit thermostat

Part Number: 8 716 107 625 0

16 Manual reset flue thermostat

Part Number: 8 716 107 624 0

17 DHW control thermostat

Part Number: 8 716 107 637 0

18 Cleaning brush

Part Number: 8 716 109 428 0

19 Manifold access cover seal

Part Number: 8 716 107 536 0

20 Secondary Heat Exchanger gasket

Part Number: 8 716 112 954 0

21 Frost thermostat

Part Number: 8 716 105 965 0

22 Service lead

Part Number: 8 716 113 483 0

23 Oil nozzle

0.35 80° SR (12kW output)

Part Number: 8 716 112 628 0

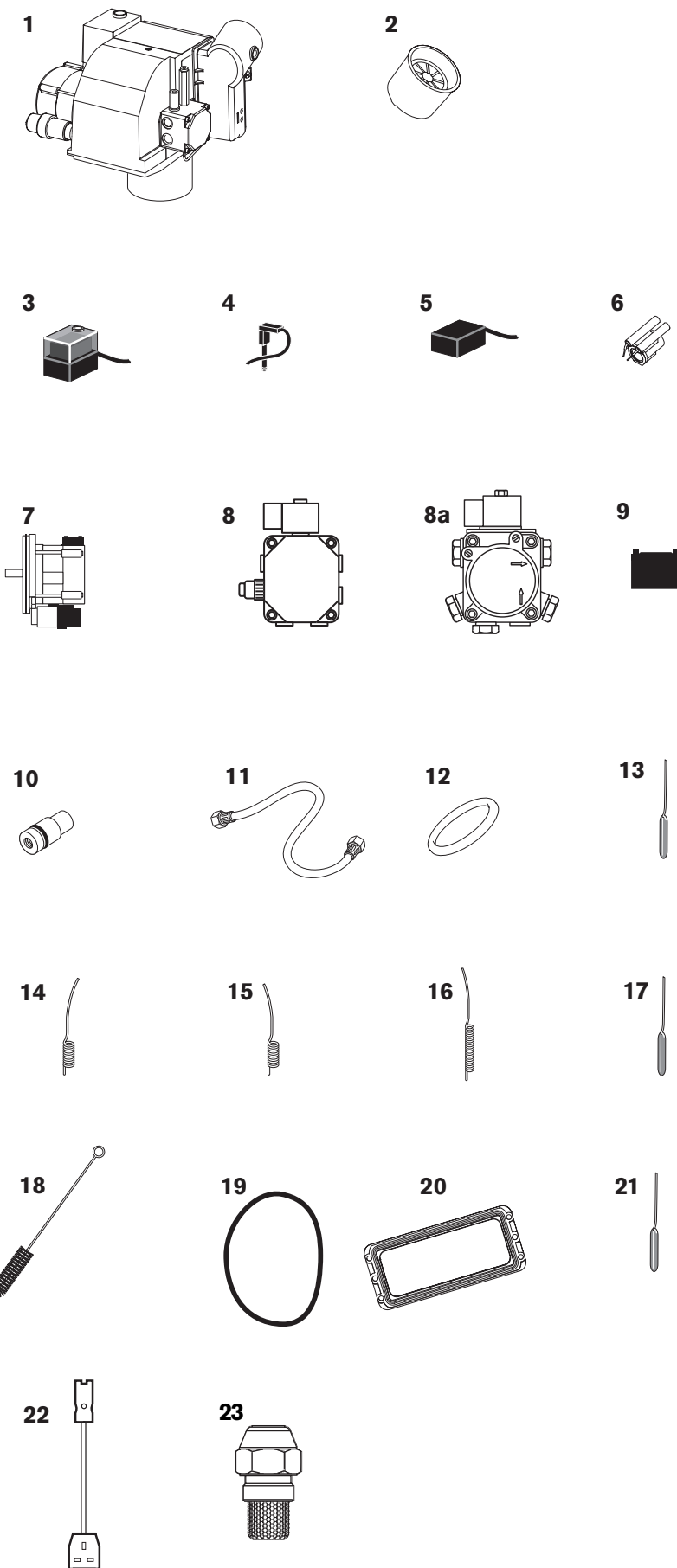
0.45 80° S (15kW output)

Part Number: 8 716 106 197 0

0.50 80° ES (18kW output)

Part Number: 8 716 156 669 0

SHORT PARTS LIST 18/25



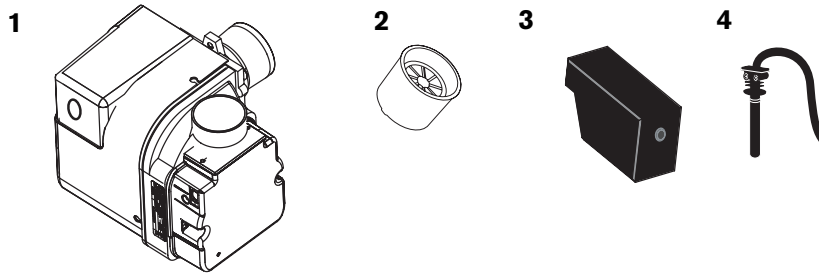
- 1 Burner - Sterling 50**
Part Number: 8 716 112 570 0
- 2 Combustion head - burner**
Part Number: 8 716 108 573 0
- 3 Control box Satronic DKO 970**
Part Number: 8 716 142 396 0
- 4 Photocell Satronic MZ770s**
Part Number: 8 716 156 692 0
- 5 Control box base Satronic S98 12 pole**
Part Number: 8 716 142 782 0
- 6 Ignition electrode**
Part Number: 8 716 156 683 0
- 7 Motor**
Part Number: 8 716 156 645 0
- 8 Oil pump - Danfoss BFP 11 L3**
Part Number: 8 716 142 736 0
- 8a Oil pump - Suntec AS47C**
Part Number: 8 716 157 014 0
- 9 Transformer (Excludes cable)**
Part Number: 8 716 156 696 0
- 10 Mechanical shut-off valve**
Part Number: 8 716 156 658 0
- 11 Flexible oil line kit**
Part Number: 8 716 106 346 0
- 12 Burner 'O' ring gasket**
Part Number: 8 716 109 158 0
- 13 Heating control thermostat**
Part Number: 8 716 107 621 0
- 14 Auto reset High Limit thermostat**
Part Number: 8 716 107 640 0
- 15 Manual reset High Limit thermostat**
Part Number: 8 716 107 625 0
- 16 Manual reset flue thermostat**
Part Number: 8 716 107 624 0
- 17 DHW control thermostat**
Part Number: 8 716 107 637 0
- 18 Cleaning brush**
Part Number: 8 716 109 428 0
- 19 Manifold access cover seal**
Part Number: 8 716 107 536 0
- 20 Secondary Heat Exchanger gasket**
Part Number: 8 716 112 954 0
- 21 Frost thermostat**
Part Number: 8 716 105 965 0
- 22 Service lead**
Part Number: 8 716 113 483 0
- 21 Oil nozzle**
0.50 80° EH (18kW output)
Part Number: 8 716 156 672 0

0.55 80° EH (21.5kW output)
Part Number: 8 716 156 671 0

0.65 80° EH (25kW output)
Part Number: 8 716 110 362 0

SERVICING & SPARES

SHORT PARTS LIST 25/32



1 Burner - Riello RDB 2.2 25/32 HE

Part Number: 8 716 112 512 0

2 Combustion head - burner

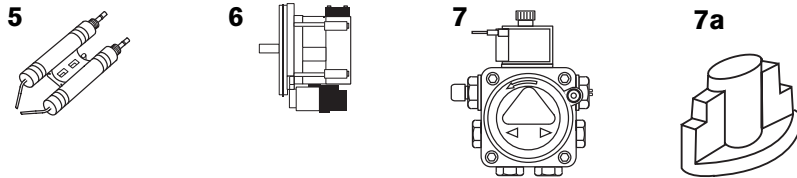
Part Number: 8 716 112 521 0

3 Control box 535 SE/LD

Part Number: 8 716 109 203 0

4 Photocell

Part Number: 8 716 109 193 0



5 Ignition electrode

Part Number: 8 716 109 183 0

6 Motor

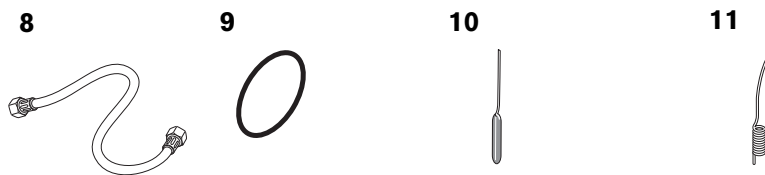
Part Number: 8 716 109 186 0

7 Oil pump - Riello RDB

Part Number: 8 716 109 182 0

8 Flexible oil line kit

Part Number: 8 716 106 346 0



9 Burner 'O' ring gasket

Part Number: 8 716 109 158 0

10 Heating control thermostat

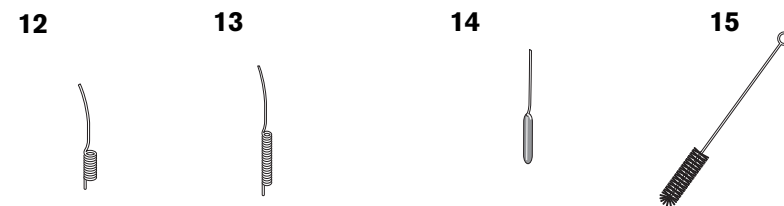
Part Number: 8 716 107 621 0

11 Auto reset High Limit thermostat

Part Number: 8 716 107 640 0

12 Manual reset High Limit thermostat

Part Number: 8 716 107 625 0



13 Manual reset flue thermostat

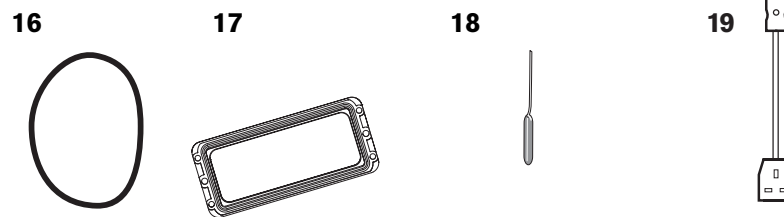
Part Number: 8 716 107 624 0

14 DHW control thermostat

Part Number: 8 716 107 637 0

15 Cleaning brush

Part Number: 8 716 109 428 0



16 Manifold access cover seal

Part Number: 8 716 107 536 0

17 Secondary Heat Exchanger gasket

Part Number: 8 716 112 954 0

18 Frost thermostat

Part Number: 8 716 105 965 0

19 Service lead

Part Number: 8 716 113 483 0

20 Oil nozzle

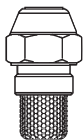
0.75 60° ES (25 & 28.5kW output)

Part Number: 8 716 106 156 0

0.85 60° ES (32kW output)

Part Number: 8 716 110 083 0

20



SERVICING
& SPARES

PROBLEM	CAUSE	REMEDY
LOCKOUT:		
Pulsation on start	Combustion settings incorrect Faulty nozzle	Set up as in installation instructions Replace nozzle
Intermittent lockout	Bad electrical connection Intermittent flame detection fault	Check control box/electrical connections See flame detection fault
Burner motor fails to operate	Faulty motor or electrical supply to motor Control box fault	Check for 230v at motor plug during startup period Replace control box
Flame detection fault	Photocell filmed over (dirty) Photocell faulty Control box faulty	Wipe clean Replace Replace
Incorrect CO ₂	Air adjustment fault Oil pressure incorrect	Set up as in installation instructions Set up as in installation instructions
No oil from nozzle	No oil at pump Air in pump Nozzle blocked Faulty pump or drive Faulty mechanical shut off valve (12/18 & 18/25 only)	Check and refill oil tank/bleed oil line Check and clean filters & valves from oil tank to boiler Bleed pump Replace nozzle Replace Clean or replace
Ignition failure	Electrode settings incorrect Faulty ignition transformer Open circuit ignition Faulty control box or electrical connections not properly made	Set up as in installation instructions Replace Check and replace electrodes or high tension leads if necessary Correct control box electrical connections or replace control box
BURNER FAILS TO START	No power to boiler Faulty boiler thermostat Programmer open circuit Faulty control box	Check electrical / control circuit Check by temporarily linking out high limit and control thermostats Check by temporarily linking 8 & 9 on the connector Replace
HIGH SMOKE NUMBER	Air intake/flue blocked Incorrect combustion settings Oil pressure incorrect Incorrect components used on combustion head Faulty nozzle	Check & clear air intake/flue Set up as in installation instructions Adjust to correct pressure Check with installation instructions Replace nozzle

FAULT FINDING

BOILER LOCKOUT :

Indicated by the illumination of the 'Lockout' indicator on the fascia.

To reset, wait 2 minutes then press the lockout reset button.

Also refer to fault finding logic on pages 46 and 47.

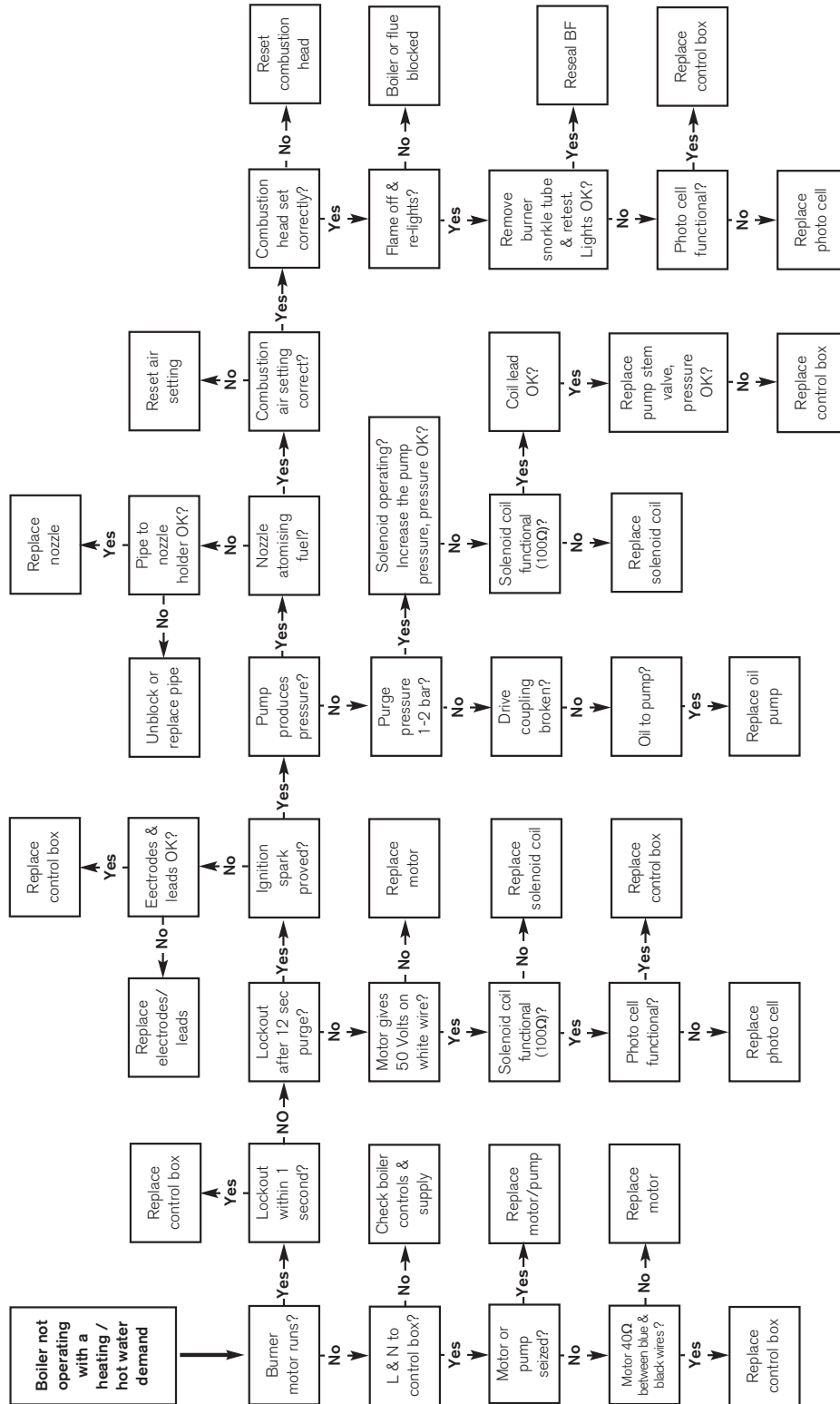
UNDER NO CIRCUMSTANCES MUST AN APPLIANCE BE LEFT TO OPERATE WITH ANY CONTROL LINKED OUT OR OVERRIDDEN.

PROBLEM	CAUSE	REMEDY	FAULT FINDING
FAULTY BOILER OPERATION:			
Noisy operation	Pump noise from air in pump or worn pump Worn motor bearings Fan out of balance	Bleed air from pump or replace pump Replace motor Replace fan	
Boiling	Faulty boiler thermostat Short circuit boiler thermostat Thermostat bulb not fully home in pocket No primary water circulation	Replace if necessary Take out of circuit to check Ensure bulb is pushed fully home Check system / circulating pump	
Short Cycling	Burner rating incorrect Boiler thermostat differential incorrect External controls not operating correctly	Correct burner rating Replace boiler thermostat Check and correct external controls	
OIL SMELLS:	Blocked flue, fumes on startup Oil soaked boiler, faulty burner operation, numerous lockouts Odour in cabinet, oil leaks from pipework, flexible hoses connections	Check seals/gaskets Rectify burner operation and lockouts Rectify oil leaks, replace components if necessary	

These fault finding charts are provided to assist competent and suitably qualified engineers to locate and rectify faults. Whilst every effort has been taken to ensure the information given is correct and complete we cannot guarantee that every eventuality has been covered.

Worcester, Bosch Group cannot be held responsible for costs incurred by persons not deemed to be competent.

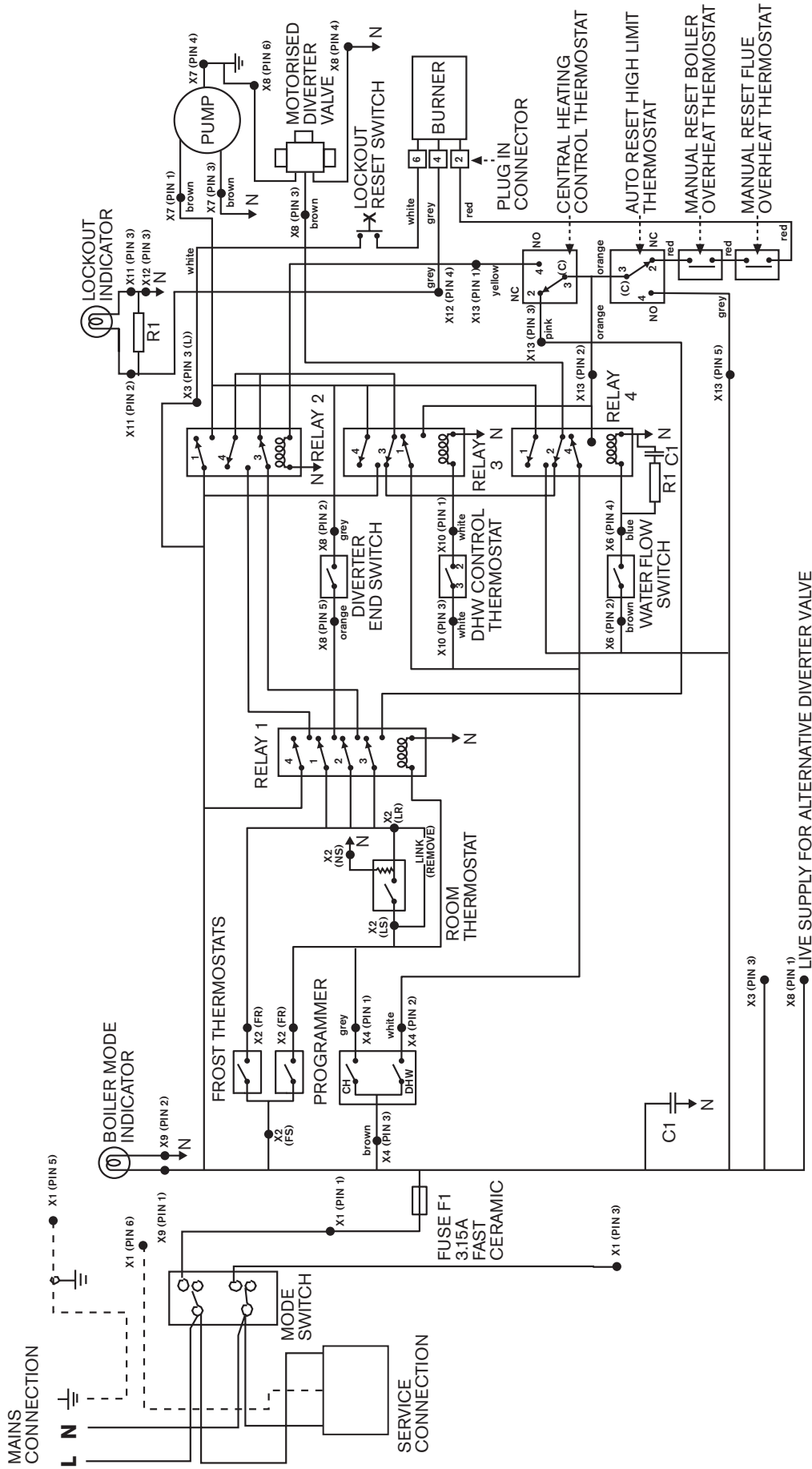
FAULT FINDING LOGIC FOR 535 SE/LD RDB CONTROL BOX



All resistance measurements are actual measured values and some variation is to be expected, therefore measured values should be similar to but not necessarily identical to the given values.

The operation of the photo cell can be tested by measuring the resistance across the photo cell, it should be a high resistance (greater than 10MΩ or open circuit) in the dark and low resistance (3kΩ or less) in light.

Burners on balanced flue systems can recirculate flue products resulting in the burner cycling, if this happens check the flue system integrity and the terminal position.



LIVE SUPPLY FOR ALTERNATIVE DIVERTER VALVE

FAULT FINDING & DIAGRAMS

OIL BOILER COMBUSTION RECORD

BOILER MODEL _____ **SERIAL No.** _____

COMMISSIONING ENGINEER

COMBUSTION CHECKS

COMPANY NAME:	PUMP PRESSURE (PSI):
ADDRESS:	CO ₂ %:
	SMOKE READING:
ENGINEERS NAME:	F.G.T°C:
SIGNATURE:	FLUE PRESSURE:
DATE:	BURNER MODEL:

FOR ALL BOILERS CONFIRM THE FOLLOWING

THE CONDENSATE DRAIN HAS BEEN INSTALLED IN ACCORDANCE WITH THE MANUFACTURER'S INSTRUCTIONS	YES <input type="checkbox"/>
OIL TYPE USED IS KEROSENE	YES <input type="checkbox"/>
THE SYSTEM HAS BEEN FLUSHED IN ACCORDANCE WITH THE INSTRUCTIONS?	YES <input type="checkbox"/>
THE SYSTEM CLEANER USED:	_____
THE INHIBITOR USED:	_____

SERVICE INTERVAL RECORD It is recommended that the heating system is serviced regularly and that you complete the appropriate Service Interval Record Overleaf.

Service Provider. Before completing the appropriate Service Interval Record overleaf, please ensure you have carried out the service as described in this manual. Always use Worcester, Bosch Group specified spare parts when replacing all controls.

SERVICE 1 DATE

ENGINEER NAME		
COMPANY NAME		
TEL No.		
OFTEC REG No.		
PUMP PRESSURE:	psi	CO ₂ %:
NOZZLE CHANGED?	YES <input type="checkbox"/>	NO <input type="checkbox"/>
F.G.T. °C	FLUE PRESSURE:	
COMMENTS		
SIGNATURE		

SERVICE 3 DATE

ENGINEER NAME		
COMPANY NAME		
TEL No.		
OFTEC REG No.		
PUMP PRESSURE:	psi	CO ₂ %:
NOZZLE CHANGED?	YES <input type="checkbox"/>	NO <input type="checkbox"/>
F.G.T. °C	FLUE PRESSURE:	
COMMENTS		
SIGNATURE		

SERVICE 5 DATE

ENGINEER NAME		
COMPANY NAME		
TEL No.		
OFTEC REG No.		
PUMP PRESSURE:	psi	CO ₂ %:
NOZZLE CHANGED?	YES <input type="checkbox"/>	NO <input type="checkbox"/>
F.G.T. °C	FLUE PRESSURE:	
COMMENTS		
SIGNATURE		

SERVICE 7 DATE

ENGINEER NAME		
COMPANY NAME		
TEL No.		
OFTEC REG No.		
PUMP PRESSURE:	psi	CO ₂ %:
NOZZLE CHANGED?	YES <input type="checkbox"/>	NO <input type="checkbox"/>
F.G.T. °C	FLUE PRESSURE:	
COMMENTS		
SIGNATURE		

SERVICE 9 DATE

ENGINEER NAME		
COMPANY NAME		
TEL No.		
OFTEC REG No.		
PUMP PRESSURE:	psi	CO ₂ %:
NOZZLE CHANGED?	YES <input type="checkbox"/>	NO <input type="checkbox"/>
F.G.T. °C	FLUE PRESSURE:	
COMMENTS		
SIGNATURE		

SERVICE 2 DATE

ENGINEER NAME		
COMPANY NAME		
TEL No.		
OFTEC REG No.		
PUMP PRESSURE:	psi	CO ₂ %:
NOZZLE CHANGED?	YES <input type="checkbox"/>	NO <input type="checkbox"/>
F.G.T. °C	FLUE PRESSURE:	
COMMENTS		
SIGNATURE		

SERVICE 4 DATE

ENGINEER NAME		
COMPANY NAME		
TEL No.		
OFTEC REG No.		
PUMP PRESSURE:	psi	CO ₂ %:
NOZZLE CHANGED?	YES <input type="checkbox"/>	NO <input type="checkbox"/>
F.G.T. °C	FLUE PRESSURE:	
COMMENTS		
SIGNATURE		

SERVICE 6 DATE

ENGINEER NAME		
COMPANY NAME		
TEL No.		
OFTEC REG No.		
PUMP PRESSURE:	psi	CO ₂ %:
NOZZLE CHANGED?	YES <input type="checkbox"/>	NO <input type="checkbox"/>
F.G.T. °C	FLUE PRESSURE:	
COMMENTS		
SIGNATURE		

SERVICE 8 DATE

ENGINEER NAME		
COMPANY NAME		
TEL No.		
OFTEC REG No.		
PUMP PRESSURE:	psi	CO ₂ %:
NOZZLE CHANGED?	YES <input type="checkbox"/>	NO <input type="checkbox"/>
F.G.T. °C	FLUE PRESSURE:	
COMMENTS		
SIGNATURE		

SERVICE 10 DATE

ENGINEER NAME		
COMPANY NAME		
TEL No.		
OFTEC REG No.		
PUMP PRESSURE:	psi	CO ₂ %:
NOZZLE CHANGED?	YES <input type="checkbox"/>	NO <input type="checkbox"/>
F.G.T. °C	FLUE PRESSURE:	
COMMENTS		
SIGNATURE		

In the unlikely event the boiler does not give complete satisfaction, before calling for a service engineer, the installer should check the following:-

General checks

1. Is the mode switch in boiler mode (indicator on)?
2. Is there 230V across the boiler live and neutral terminals?
3. Is the polarity correct? (230V across live and earth, 0V across neutral and earth)
4. Is the air bled from the primary system?
5. Is the air bled from the oil supply?
6. Is the flue sized and routed correctly?

Boiler runs straight to lockout

1. Has the oil line been purged of air?
2. Where an air eliminator is used in conjunction with a top feed oil tank the non-return valve, (if fitted), should be removed from the oil dip pipe.

Boiler locks out at the start of a demand (Heating off overnight for example)

1. If an air eliminator is being used, check that there are no leaks that allow air to be pulled into the oil supply.
2. If a two pipe oil supply is being used, has a non-return valve been fitted to the inlet pipe? Refer to the instructions for guidelines.

No domestic hot water (external programmer)

1. Is the mains water in connected to the 15mm isolation valve?
2. Is there a domestic hot water demand from the programmer and has the tank reached temperature?
3. Is there 230V on pin 2 of terminal block X4?
4. Remove the external wiring from terminal block X4 and fit a link across 1 and 2, if the domestic hot water now operates there is a problem with the external programmer and/or its wiring.

No central heating (external programmer)

1. Are both programmer and room thermostat on demand for central heating?
2. Is the room thermostat wired correctly?
3. Refit the link across pins LS and LR on terminal X2, if the central heating now operates correctly the room thermostat and/or its wiring are faulty.
4. Is there 230V on pin 1 of terminal block X4?
5. Remove the external wiring to terminal block X4 and fit a link across pins 1 and 3 on terminal X4, if the central heating now operates correctly the room programmer and/or its wiring are faulty.

UNDER NO CIRCUMSTANCES MUST AN APPLIANCE BE LEFT TO OPERATE WITH ANY CONTROL LINKED OUT OR OVER RIDDEN.

EXCELLENCE COMES AS STANDARD

Worcester, Bosch Group

Cotswold Way, Warndon, Worcester WR4 9SW.

Tel. 01905 754624 Fax. 01905 754619

Worcester, Bosch Group is a trading name of BBT

Thermotechnology UK Ltd.

www.worcester-bosch.co.uk

8 716 113 389b (09/07)

CONTACT INFORMATION

WORCESTER, BOSCH GROUP:

TECHNICAL: 08705 266241
SERVICE: 08457 256206
SPARES: 01905 752571
LITERATURE: 01905 752556
TRAINING: 01905 752526
SALES: 01905 752640
WEBSITE: www.worcester-bosch.co.uk

WATER TREATMENT:

FERNOX 01799 550811
www.fernox.com
SENTINEL 0151 420 9595
www.betzdearborn.com/sentinel

FLUE TERMINAL GUARD:

PART No. 7 716 190 050



WORCESTER
Bosch Group

Free Manuals Download Website

<http://myh66.com>

<http://usermanuals.us>

<http://www.somanuals.com>

<http://www.4manuals.cc>

<http://www.manual-lib.com>

<http://www.404manual.com>

<http://www.luxmanual.com>

<http://aubethermostatmanual.com>

Golf course search by state

<http://golfingnear.com>

Email search by domain

<http://emailbydomain.com>

Auto manuals search

<http://auto.somanuals.com>

TV manuals search

<http://tv.somanuals.com>