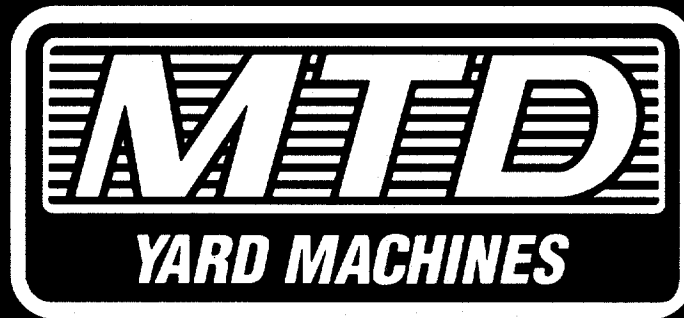


# ILLUSTRATED PARTS

AMERICAN  AMERICAN  
M A D E O W N E D  
OUTDOOR POWER EQUIPMENT



## 1995

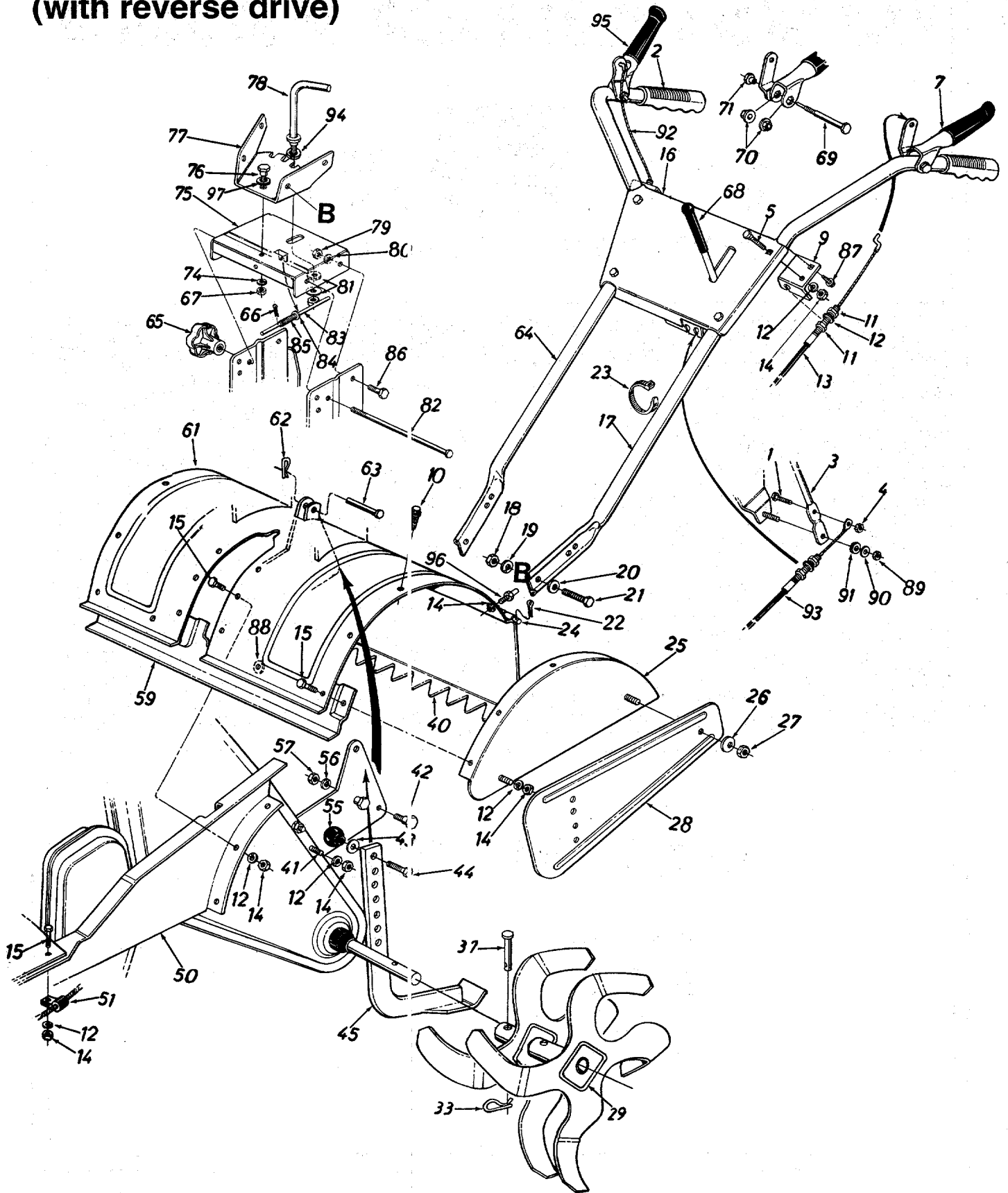
## REAR TINE TILLERS

Model Number	Pages
215-406-000.....	2 - 7
215-410-000.....	8 - 12
215-420-000.....	10 - 14
215-430-000.....	15 - 19
215-447-401.....	20 - 24

MTD PRODUCTS INC • P.O. BOX 368022 • CLEVELAND, OHIO 44136-9722

FORM NO. 770-95-6B

# Model 406 (with reverse drive)



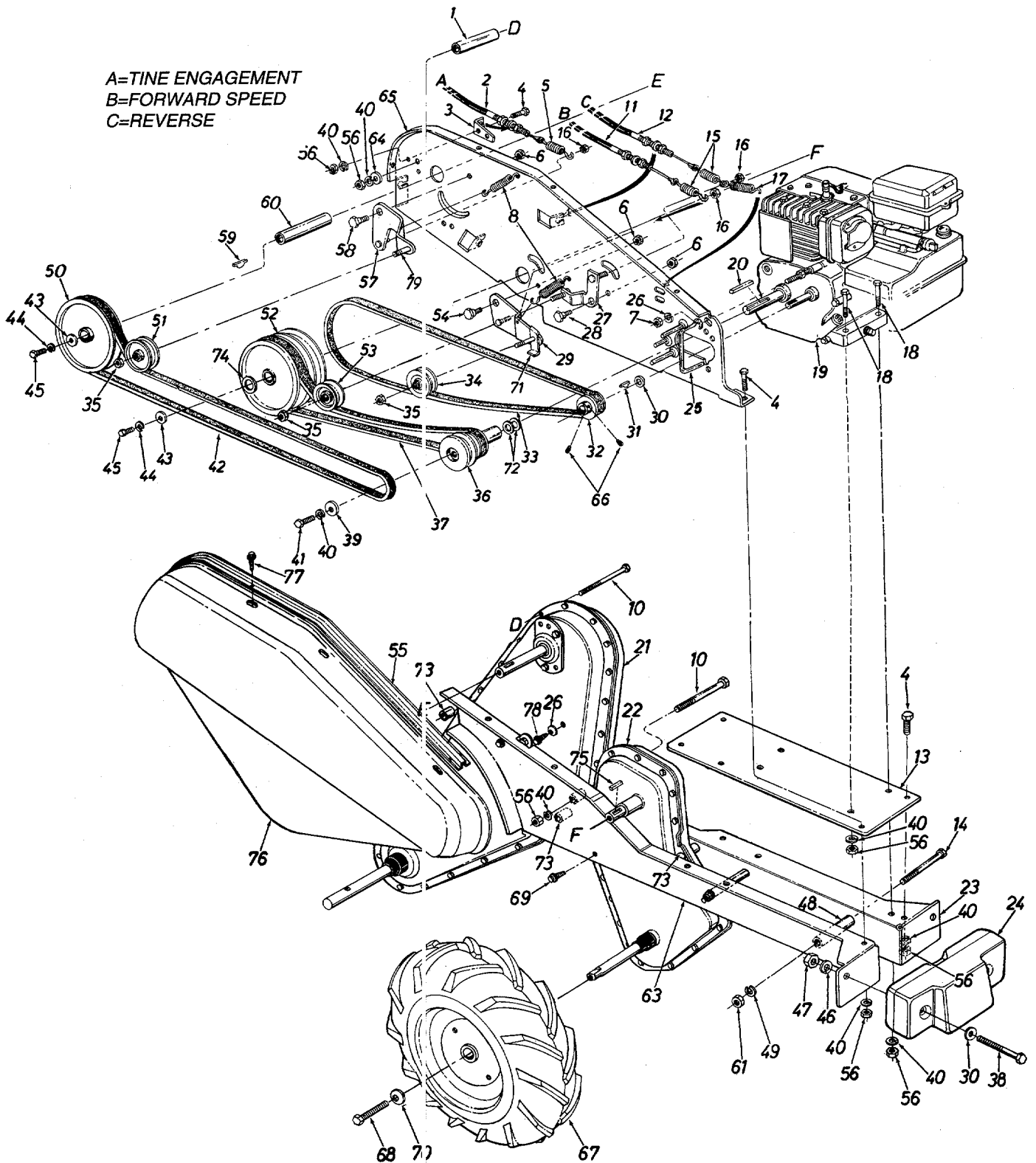
# Model 406

## PARTS LIST FOR MODEL 406 TILLER

REF. NO.	PART NO.	CODE	DESCRIPTION	REF. NO.	PART NO.	CODE	DESCRIPTION
1	710-0412		Hex Bolt 1/4-28 x .75" Lg.*	56	736-0169		L-Wash. 3/8" I.D.*
2	720-0180		Grip	57	712-0798		Hex Nut 3/8-16 Thd.*
3	747-0517		Clutch Lever	59	15393		Brkt. Reinforcement
4	712-0117		Hex Cent. L-Nut 1/4-28 Thd.	61	784-0026		Tine Shield Ass'y.
5	710-0458		Carr. Bolt 5/16-18 x 1.75**	62	714-0149B		Hairpin Cotter
7	784-0031		Clutch Grip Ass'y.—L.H.	63	711-0415		Clevis Pin 3/8" Dia.
9	15093C		Clutch Cable Bracket	64	749-0642A		Handle—R.H.
10	710-0607		Hex Wash. S-Tap Scr. 5/16-18 x .62" Lg.	65	720-0195		Hand Knob
11	712-0256		Hex Nut 5/16-24 Thd.	66	714-0127		Cotter Pin 1/16" Dia. x .75**
12	736-0119		L-Wash. 5/16" I.D.*	67	712-0375		Hex Cent. L-Nut 3/8-16 Thd.
13	746-0535		Clutch Control Cable (Tines)	68	720-0143		Grip
14	712-0267		Hex Nut 5/16-18 Thd.*	69	738-0575		Shoulder Bolt .375" Dia. x 1.37" Lg.
15	710-0118		Hex Bolt 5/16-18 x .75" Lg.*	70	741-0402		Hex Flange Plastic Bearing
16	686-0076	N	Handle Panel Ass'y.	71	738-0561		Shoulder Nut 1/4-20 Thd.
17	749-0643A		Handle—L.H.	74	736-0219		Bell-Wash. .40" I.D. x 1.13"
18	712-0798		Hex Nut 3/8-16 Thd.*	75	784-0022		Handle Pivot Bracket
19	736-0169		L-Wash. 3/8" I.D.*	76	738-0322		Shoulder Bolt 5/8" Dia. x .22" Lg.
20	736-0105		Bell-Wash. 3/8" I.D.	77	784-0019		Handle Mtg. Bracket
21	710-0253		Hex Bolt 3/8-16 x 1" Lg.*	78	784-0025		Adj. Handle Ass'y.
22	714-0507		Cotter Pin 3/32" Dia. x 3/4**	79	712-0375		Hex Cent. L-Nut 3/8-16 Thd.
23	725-0157		Cable Tie	80	736-0105		Bell-Wash. .40" I.D. x .88"
24	747-0432		Tiller Flap Rod	81	736-0253		Bell-Wash. 1/2" I.D. x 1.00"
25	14989		End Cover Ass'y.—L.H.	82	711-0765		Lock Pin 5/16" Dia. x 8"
	14990		End Cover Ass'y.—R.H. (Not Shown)	83	784-0023		Lower Sliding Ass'y.
26	736-0242		Bell-Wash. 5/16" I.D.	84	736-0463		FI-Wash. .291" I.D. x .62"
27	712-0267		Hex Nut 5/16-18 Thd.*	85	732-0145		Compression Spring 1" Lg.
28	15390		Side Shield	86	738-0147		Shoulder Bolt 1/2" Dia. x .170" Lg.
29	642-0015		L.H. Tine Ass'y. Comp.	87	710-0599		Hex Wash. S-Tap Scr. 1/4-20 x .50" Lg.
	642-0016		R.H. Tine Ass'y. Comp.				Bell-Wash. 5/16" I.D.
33	714-0149B		Hairpin Cotter	88	736-0242		Hex Cent. L-Nut 5/16-18 Thd.
37	711-0415		Clevis Pin 3/8" Dia.	89	712-0158		FI-Wash. .344" I.D. x .87"
40	14979		Tine Shield Flap	90	736-0159		Rubber Wash. .33 I.D. x .87"
41	710-0736		Hex Bolt 5/16-18 x 1.0" Lg.*	91	735-0126		Control Cable (Forward)
42	738-0507B		Shld. Bolt 1/2" Dia. x .43"	92	746-0496		Control Cable (Reverse)
43	736-0117		FI-Wash. 3/8" I.D. x 5/8" O.D.	93	746-0571		FI-Wash. .62" I.D. x 1.57"
44	710-0216		Hex Bolt 3/8-16 x 3/4" Lg.*	94	736-0285		Clutch Grip Ass'y.—R.H.
45	786-0120		Depth Bar Ass'y.	95	784-0270		Hex Bolt 5/16-18 Thd. (Special)
50	14975	638	Frame Rail—L.H.	96	738-0849		FI-Wash. .64" I.D. x .94"
51	726-0175		Clamp 5/16" Dia.	97	736-0256		
55	720-0165		Ball Knob 1 1/4" Dia.				

\*For faster service obtain standard nuts, bolts and washers locally.  
If these items cannot be obtained locally, order by part number  
and size as shown on parts list.

# Model 406 (with reverse drive)



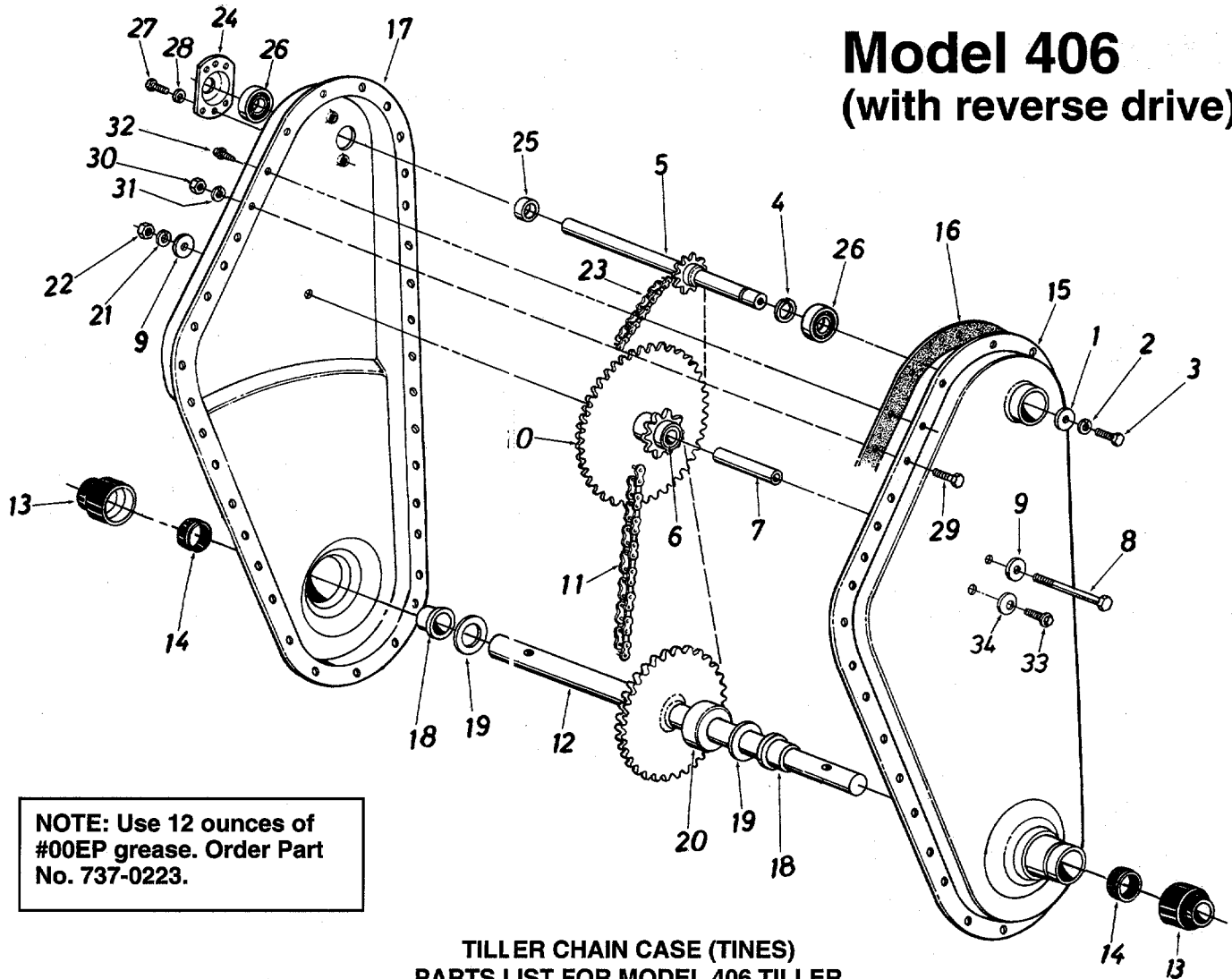
# Model 406 (with reverse drive)

## PARTS LIST FOR MODEL 406 TILLER

REF. NO.	PART NO.	CODE	DESCRIPTION	REF. NO.	PART NO.	CODE	DESCRIPTION
1	750-0219		Spacer .375" I.D. x .5" O.D. x 2" Lg.	41	710-0117		Hex Bolt 5/16-24 x 1.00" Lg.*
2	746-0535		Clutch Control Cable (Tines)	42	754-0195A		"V"-Belt
3	15093C		Clutch Cable Bracket	43	736-0176		FI-Wash. 1/4" I.D. x .93" O.D.
4	710-0118		Hex Bolt 5/16-18 x .75" Lg.*	44	736-0329		L-Wash. 1/4" I.D.*
5	732-0387		Extension Spring .50" O.D. x 2.5" Lg.	45	710-0412		Hex Bolt 1/4-28 x .75" Lg.
6	712-0266		Hex Cent. L-Nut 3/8-16 Thd.	46	736-0921		L-Wash. 1/2" I.D.*
7	712-0287		Hex Nut 1/4-20 Thd.*	47	712-0206		Hex Nut 1/2-13 Thd.*
8	732-0445		Extension Spring .50" O.D. x 1.55" Lg.	48	750-0579		Spacer .38" I.D. x .62" O.D. x 2.18" Lg.
10	710-0189		Hex Bolt 5/16-18 x 3" Lg.*	49	736-0169		L-Wash. 3/8" I.D.*
11	746-0496		Clutch Control Cable 42" Lg. (Forward)	50	756-0389A		FI-Pulley w/Flanges 6" O.D.
12	746-0571		Clutch Control Cable 42" Lg. (Reverse)	51	756-0405		FI-Idler w/Flanges 3.75" O.D.
13	14973		Engine Mounting Plate	52	756-0464		Double FI-Pulley 5/8" I.D.
14	710-0830		Hex Bolt 3/8-24 x 3" Lg.	53	756-0313		FI-Idler w/Flanges 2.12" O.D.
15	—		Springs (Part of Ref. No. 11 and 12)	54	738-0147		Shld. Bolt .500" Dia. x .170" Lg.
16	712-0107		Hex Cent. L-Nut 1/4-20 Thd.	55	784-0140		Flange Extension
17	732-0486		Extension Spring .41" O.D. x 2.05" Lg.	56	712-0267		Hex Nut 5/16-18 Thd.*
18	710-0442		Hex Bolt 5/16-18 x 1.5" Lg.*	57	784-0129		Idler Brkt. Ass'y.—Tines
19	—		Engine	58	738-0183		Shld. Bolt .500" Dia. x .215" Lg.
20	714-0105		Sq. Key 3/16 x 1.00" Lg.	59	714-0388		#61 Hi-Pro-Key 3/16" x 5/8" Dia.
21	784-0106		Chain Case Comp.—Tines	60	750-0551		Spacer .647" I.D. x 2.75" Lg.
22	686-0069		Chain Case Comp.—Wheels	61	712-0241		Hex Nut 3/8-24 Thd.*
23	14975		Frame Rail—L.H.	63	14974		Frame Rail—R.H.
24	723-0340		Counterweight 35#	64	736-0185		FI-Wash. .406" I.D. x .75"
25	747-0507		Belt Keeper	65	14991		Side Plate Ass'y.
26	736-0270		Bell-Wash. .265" I.D. x .75" O.D.	66	710-0938		Set Scr. 1/4-28 x .25" Lg.
27	784-0131		Idler Brkt. Ass'y. (Wheel Reverse)	67	734-1378		R.H. Wheel Ass'y. Comp. 13 x 5
28	738-0147		Shld. Bolt .500" Dia. x .170		734-1377		L.H. Wheel Ass'y. Comp. 13 x 5
29	14969		Idler Brkt. Ass'y. (Wheel Forward)		734-1154		(Not Shown)
30	736-0326		FI-Wash. .51" I.D. x 1.0"		734-1376		Tire Only
31	714-0131		#5 Hi-Pro-Key 1/8" x 5/8" Dia.		734-1376		Rim Only
32	756-0386A		1/2" V-Pulley 2.25" O.D. x .503" I.D.		734-0255		Air Valve
33	754-0109		"V"-Belt	68	710-0237		Hex Bolt 5/16-24 x .62" Lg.*
34	756-0166		"V"-Belt Idler 2.62" O.D.	69	710-0600		Hex Self-Tap Scr. 5/16-24 x .5" Lg.
35	712-0116		Hex Ins. L-Nut 3/8-24 Thd.	70	736-0242		Bell-Wash. 5/16" I.D.
36	756-0465		1/2" "V"-Pulley Ass'y.	71	15399		Belt Keeper Brkt.
37	754-0190		"V"-Belt	72	736-0351		FI-Wash. .76" I.D. x 1.5"
38	710-0786		Hex Bolt 1/2-13 x 4" Lg.*	73	750-0470		Spacer .326" I.D. x .47" O.D. x .96" Lg.
39	736-0231		FI-Wash. .344" I.D. x 1.125"	74	736-0366		FI-Wash. 5/8" I.D. x 1" O.D.
40	736-0119		L-Wash. 5/16" I.D.*	75	714-0122		Sq. Key 3/16 x .75" Lg.
				76	14980A		Belt Cover
				77	710-0599		Hex Self-Tap Scr. 1/4-20 x .5" Lg.
				78	710-0653		Hex Wash. S-Tap Scr. 1/4-20 x .38" Lg.
				79	710-0191		Hex Bolt 3/8-24 x 1.25" Lg.*

\*For faster service obtain standard nuts, bolts and washers locally. If these items cannot be obtained locally, order by part number and size as shown on parts list.

# Model 406 (with reverse drive)

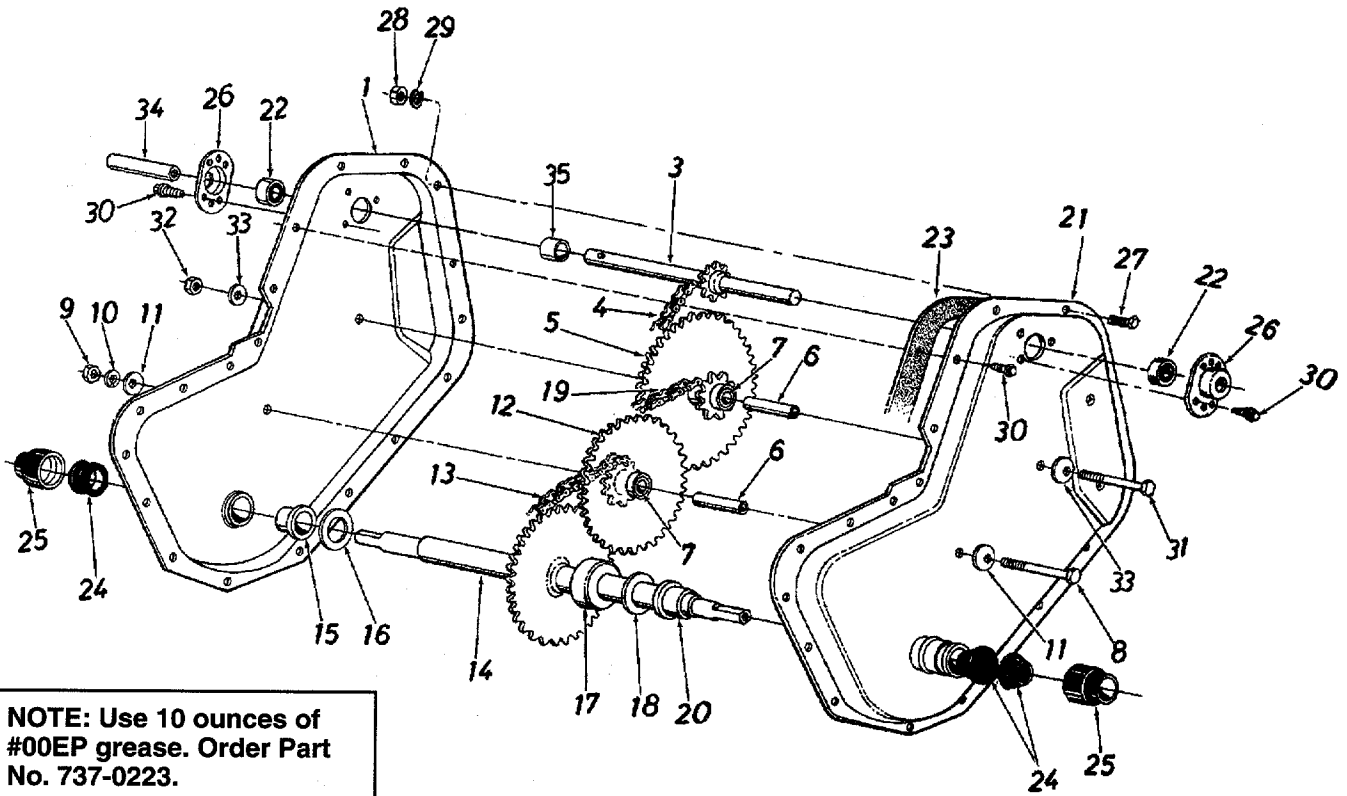


**NOTE: Use 12 ounces of #00EP grease. Order Part No. 737-0223.**

## TILLER CHAIN CASE (TINES) PARTS LIST FOR MODEL 406 TILLER

REF. NO.	PART NO.	CODE	DESCRIPTION	REF. NO.	PART NO.	CODE	DESCRIPTION
1	736-0176		Fl-Wash. 1/4" I.D. x .93" O.D.	20	750-0570		Step Spacer
2	736-0329		L-Wash. 1/4" I.D.*	21	736-0169		L-Wash. 3/8" I.D.*
3	710-0513		Hex Bolt 1/4-28 x .62" Lg. w/Patch	22	712-0711		Hex Nut 3/8-24 Thd.*
4	716-0131		External Snap Ring—5'8" Dia.	23	713-0327		#35 Chain 3/8" Pitch x 52 Links Endless
5	784-0139		Input Shaft Ass'y.	24	05034A		Bearing Housing 1.38" I.D.
6	741-0304		Bearing 5/8" I.D. x 3/4" O.D. x 1.860" Lg.	25	750-0471		Spacer
7	750-0275		Sprocket Hub Tubing 3/8" I.D. x 5/8" O.D. x 1.90	26	741-0155		Ball Bearing .625" I.D. x 1.38" O.D. x .437
8	710-0629		Hex Bolt 3/8-24 x 2.75" Lg.*	27	710-0599		Hex Wash. SF-Tap Scr. 1/4-20 x .50" Lg.
9	736-0258		Fl-Wash. 3/8" I.D. x 1.25"	28	736-0329		L-Wash. 1/4" I.D.*
10	713-0331		Sprocket Ass'y.	29	710-0118		Hex Bolt 5/16-18 x .75" Lg.*
11	713-0328		#50 Chain 5/8" Pitch x 46 Links Endless	30	712-0267		Hex Nut 5/16-18 Thd.*
12	14986		Tine Shaft Ass'y.	31	736-0119		L-Wash. 5/16" I.D.*
13	731-0487		Dust Cup	32	710-0599		Hex Wash. SF-Tap Scr. 1/4-20 x .50" Lg.
14	721-0175		Seal Ring Single Lip	33	710-0653		Hex Wash. Hd. Tap Scr. 1/4-20 x .38" Lg.
15	14984		Ass'y. Tiller Housing—R.H.	34	736-0270		Bell-Wash. .265" I.D. x .75"
16	721-0170		Gasket	—	737-0223		Grease—#00EP (16 oz. Bottle-12 oz. Req'd.)
17	14985		Ass'y. Tiller Housing—L.H.	—	784-0106		Tine Chain Case Comp.
18	731-0374		Flange Brg. 1.00" I.D.				
19	736-0163		Fl-Thrust Wash. 1.0" I.D. x .03 Thk.				

# Model 406 (with reverse drive)

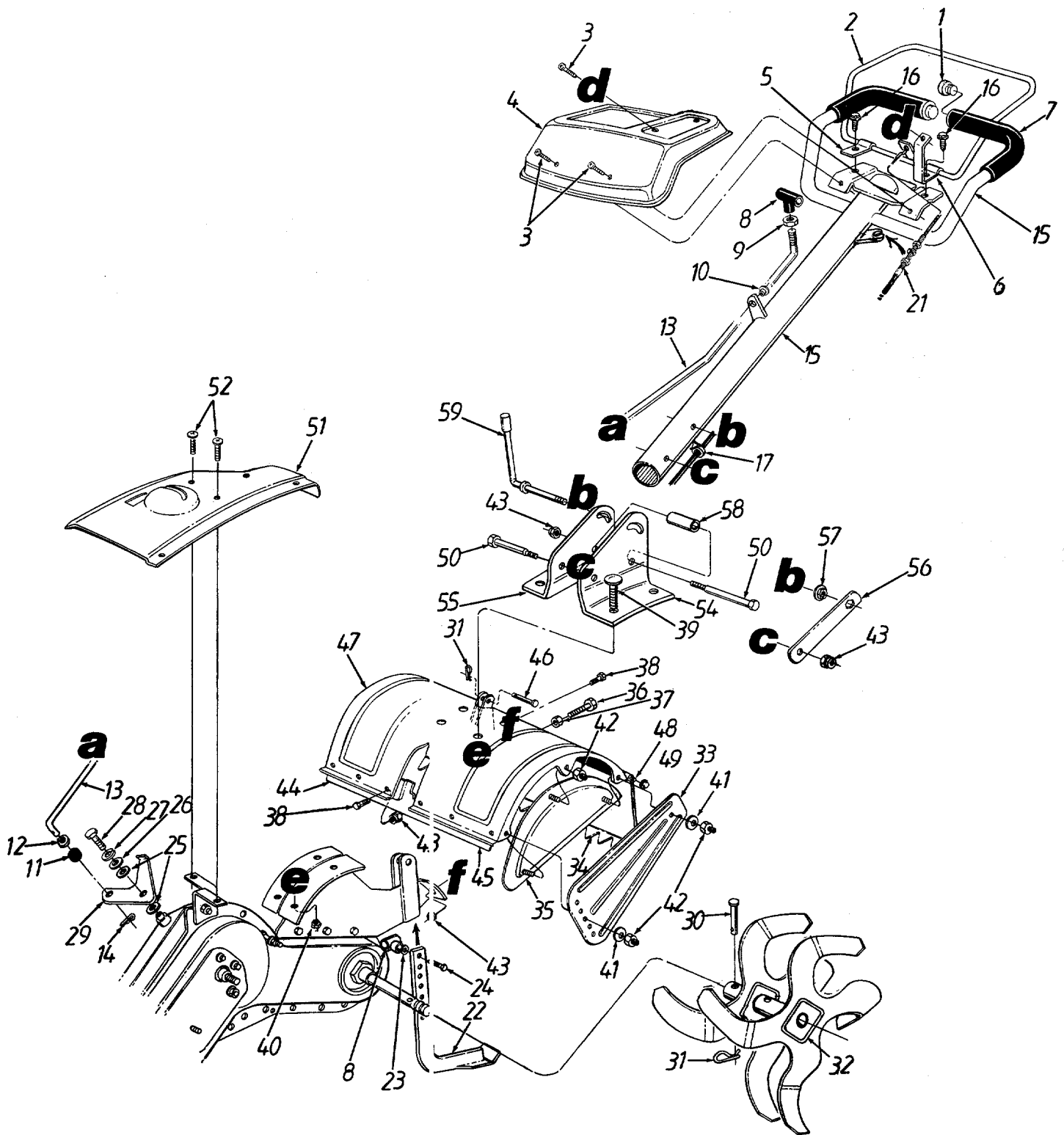


**NOTE: Use 10 ounces of #00EP grease. Order Part No. 737-0223.**

## TILLER CHAIN CASE (WHEELS) PARTS LIST FOR MODEL 406 TILLER

REF. NO.	PART NO.	CODE	DESCRIPTION	REF. NO.	PART NO.	CODE	DESCRIPTION
1	686-0066		Chain Case Half Ass'y.—R.H.	19	713-0267		#420 Chain 1/2" Pitch x 30
2	748-0154		Bearing 5/8" I.D. x .813" O.D. x 1.31" Lg.	20	741-0227		Links Endless
3	784-0136A		Input Shaft Ass'y.	21	15797		Flange Bearing
4	713-0325		Chain #35—3/8" Pitch x 44 Links	22	741-0155		Chain Case Half Ass'y.—L.H.
5	713-0316		Sprocket and Hub Ass'y.	23	721-0156		Bearing
6	750-0351		Bearing Inner Axle	24	721-0157		Gasket
7	741-0228		Sleeve Brg. 5/8" I.D. x 3/4" O.D. x 1.50	25	731-0486		Seal
8	710-0369		Hex Bolt 3/8-24 x 2.50" Lg.*	26	05034A		Dust Cup
9	712-0116		Hex Ins. L-Nut 3/8-24 Thd.	27	710-0195		Bearing Housing
10	736-0169		L-Wash. 3/8" I.D.*	28	712-0138		Hex Bolt 1/4-28 x 5/8" Lg.
11	736-0219		Bell-Wash. .41" I.D. x 1.13" O.D. x .03	29	736-0329		Hex Nut 1/4-28 Thd.
12	713-0330		Sprocket & Hub Ass'y. 9T-22T	30	710-0599		L-Wash. 1/4" I.D.*
13	713-0326		#420 Chain 1/2 Pitch x 28 Links Endless	31	710-0378		Hex Wash. S-Tap Scr. 1/4-20 x .50" Lg.
14	784-0126A		Wheel Shaft Ass'y.	32	712-0158		Hex Bolt 5/16-18 x 2.5" Lg.
15	741-0227		Flange Bearing	33	736-0159		Hex Cent. L-Nut 5/16-18 Thd.
16	736-0265		Fl-Wash. .88" I.D. x 1.5" O.D. x .03	34	750-0917		Fl-Wash. 5/16" I.D.
17	750-0354A		Spacer 7/8" I.D. x 13/4" O.D. x .68" Lg.	35	750-0916		Spacer .64" I.D. x 1.76" Lg.
18	736-0265		Fl-Wash. .88" I.D. x 1.50" O.D. x .03	—	737-0223		Spacer .64" I.D. x .45" Lg.
				—	686-0069		Grease—#00EP (16 oz. Bottle-10 oz. Req'd.)
							Wheel Chain Case Comp.

# Model 410



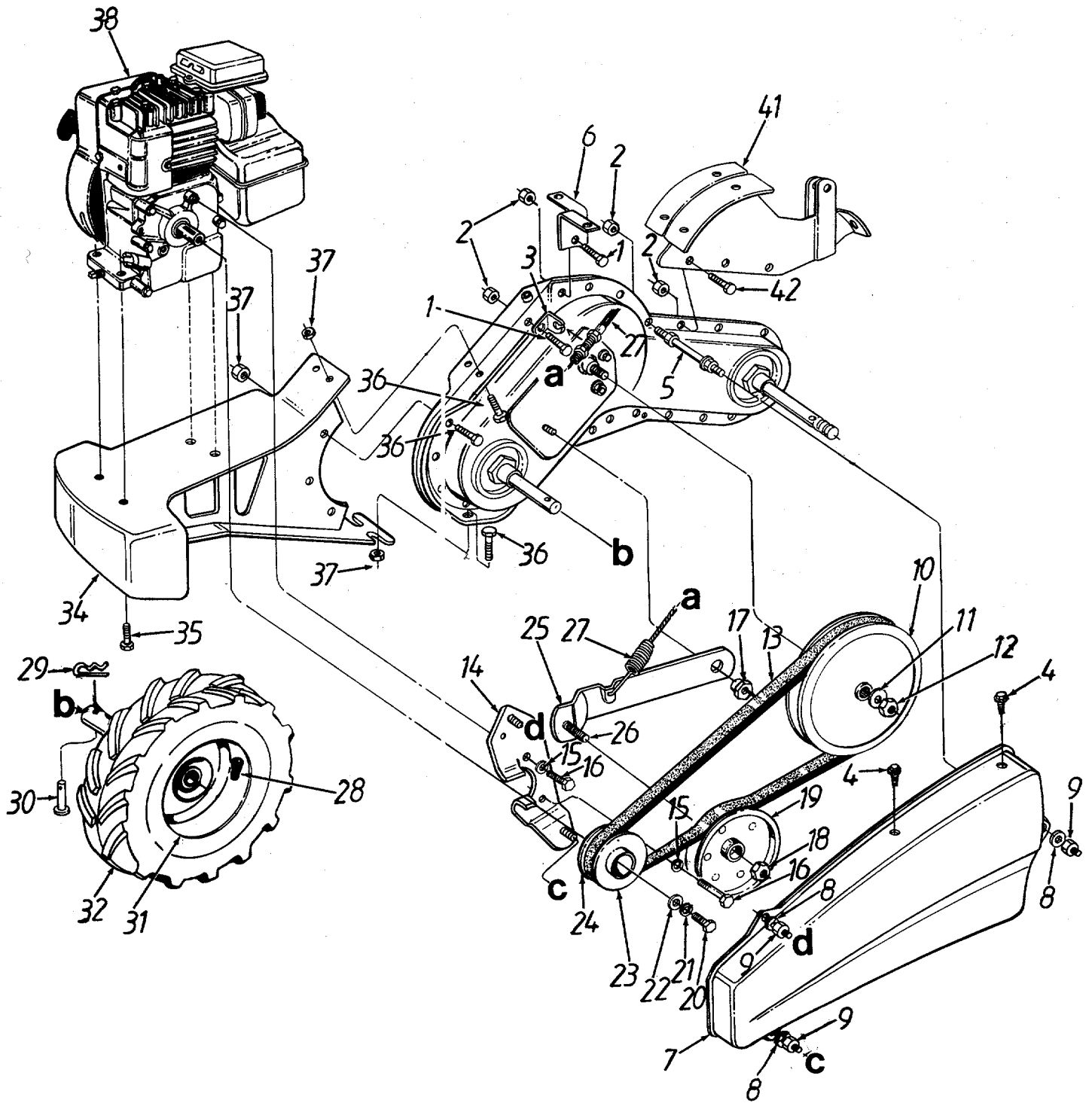


# Model 410

## PARTS LIST FOR MODEL 410 REAR TINE TILLER

REF. NO.	PART NO.	CODE	DESCRIPTION	REF. NO.	PART NO.	CODE	DESCRIPTION
1	735-0246		Vinyl End Plug	32	642-0015		Tine Ass'y.—L.H.
2	647-0014		Clutch Control Ass'y.		642-0016		Tine Ass'y.—R.H. (Not Shown)
3	710-1017		Torx Mach. AB-Tap Scr. 1/4 x .62" Lg.	33	786-0090		Side Shield
4	786-0131	N	Handle Cover	34	786-0113		Rear Tine Shield
5	786-0098		Retaining Brkt.—R.H.	35	686-0044		End Cover Ass'y.
6	786-0118		Retaining Brkt.—L.H.	36	710-0528		Hex Cap Bolt 5/16-18 x 1.25" Lg.
7	720-0278		Grip (2 Req'd.)	37	712-0267		Hex Nut 5/16-18 Thd.
8	720-0210A		Knob	38	710-0118		Hex Bolt 5/16-18 x .75" Lg.
9	712-3008		Hex Jam Nut 3/8-16 Thd.	39	710-3097		Carriage Bolt 3/8-16 x 1" Lg.
10	735-0228		Bushing 3/8" I.D.	40	712-0130		Hex Ins. L-Nut 3/8-16 Thd.
11	735-0127		Rubber Washer	41	736-0242		Bell-Wash. .345" I.D. x .88" O.D.
12	736-0204		Fl-Wash. .344" I.D. x .6" O.D.	42	712-0419		Hex Cap L-Nut 5/16-18 Thd.
13	747-0902		Gear Shift Rod	43	712-3004A		Hex Flange Top L-Nut 5/16-18 Thd.
14	714-0104		Hairpin Clip	44	786-0076		Tine Shield Brkt.—R.H.
15	649-0006		Handle Ass'y.	45	786-0077		Tine Shield Brkt.—L.H.
16	710-0599		Hex Wash. Hd. TT-Tap Scr. 1/4-20 x .5" Lg.	46	711-0415		Clevis Pin .375" Dia.
17	726-0330		Cable Clip	47	786-0085		Tine Shield
21	746-0916		Clutch Cable	48	747-0432		Tiller Flap Rod
22	786-0120		Depth Bar	49	726-0106		Cap Speed Nut
23	736-0117		Fl-Wash. 3/8" I.D. x 5/8" O.D.	50	710-0189		Hex Bolt 5/16-18 x 3" Lg.
24	710-0216		Hex Bolt 3/8-16 x .75" Lg.	51	786-0101		Shift Cover
25	717-0234		Washer 1" O.D. (Hdn.)	52	710-1017		Torx Mach. AB-Tap Scr. 1/4 x .6"
26	736-0173		Fl-Wash. .281" I.D. x .73" O.D.	54	786-0109		Handle Brkt.—L.H.
27	736-0329		L-Wash. 1/4" I.D.*	55	786-0108		Handle Brkt.—R.H.
28	710-0751		Hex Bolt 1/4-20 x .62" Lg. (Gr. 5)	56	784-0191		Hex Nut Retainer Brkt.
29	786-0095		Shift Brkt.	57	712-0379		Hex Flange Nut 3/8-24 Thd.
30	711-0415		Clevis Pin	58	750-0885		Spacer .322 Dia.
31	714-0149B		Hairpin Clip	59	784-0190		Handle Adjustment Crank

# Models 410 and 420

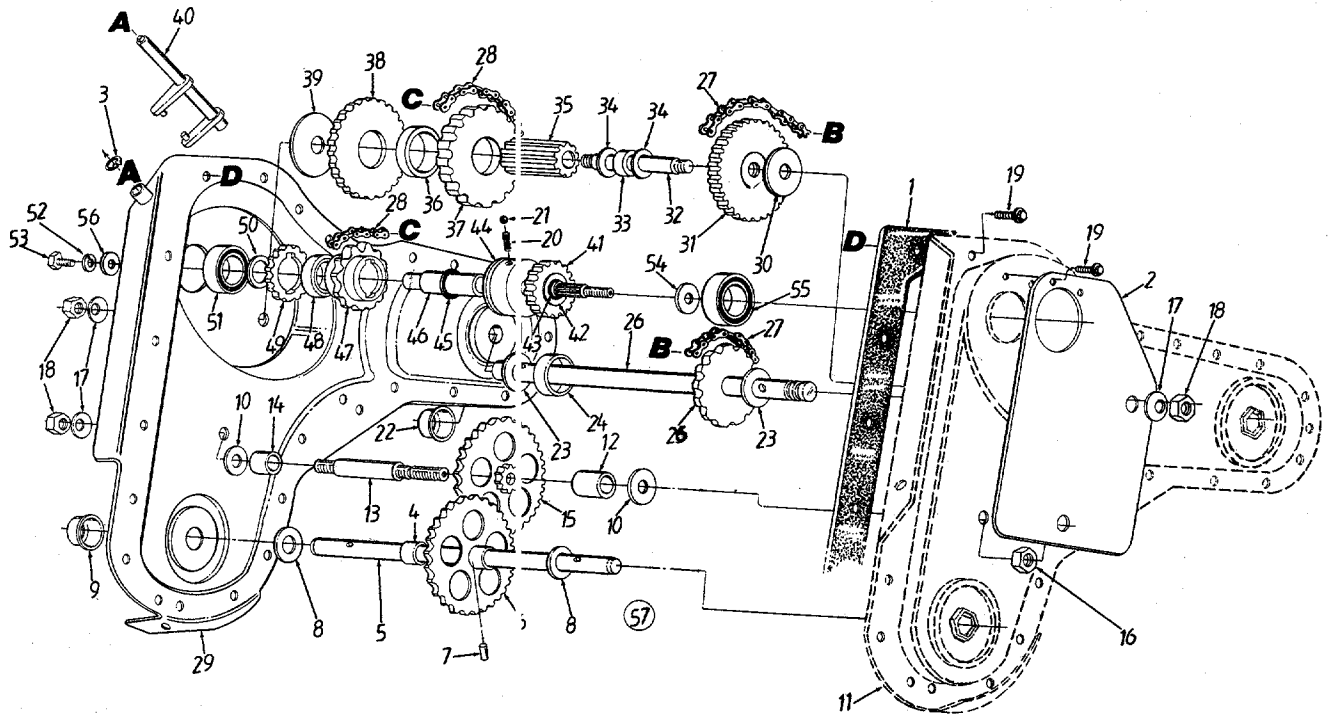


# Models 410 and 420

## PARTS LIST FOR MODELS 410 AND 420 REAR TINE TILLERS

REF. NO.	PART NO.	CODE	DESCRIPTION	REF. NO.	PART NO.	CODE	DESCRIPTION
1	710-0118		Hex Bolt 5/16-18 x .75" Lg.	24	756-0971		Inner Engine Pulley Half
2	712-3004A		Hex Flange Top L-Nut 5/16-18 Thd.	25	786-0080		Idler Bracket
3	786-0107		Cable Mtg. Bracket	26	710-0723		Hex Cap Bolt 3/8-16 x 1.25" Lg.
4	710-1017		Torx Mach. AB-Tap Scr. 1/4 x .6" Lg.	27	746-0916		Clutch Cable
5	738-0899		Belt Cover Bolt	28	734-0255		Air Valve
6	786-0117		Shift Cover Bracket	29	714-0104		Hairpin Clip
7	786-0100		Belt Cover	30	711-1017		Clevis Pin
8	736-0142		FI-Wash. .281" I.D. x .5" O.D.	31	634-0112		Rim Only (410)
9	712-0392		Hex Cap Nut 1/4-28 Thd.		634-0108		Rim Only (420)
10	756-0634		Flat Pulley 8" O.D.	32	634-0110		Wheel Ass'y. Comp.—R.H. (410)
11	736-0105		Bell-Wash. .38" I.D. x .88" O.D.		634-0111		Wheel Ass'y. Comp.—L.H. (410)
12	712-0130		Hex Ins. L-Nut 3/8-16 Thd.		634-0106		Wheel Ass'y. Comp.—R.H. (420)
13	754-0438		"V"-Belt		634-0107		Wheel Ass'y. Comp.—L.H. (420)
14	686-0031		Belt Keeper Brkt.		734-1796		Tire Only (410)
15	736-0119		L-Wash. 5/16" I.D.	34	734-0808		Tire Only (420)
16	710-0237		Hex Bolt 5/16-24 x .62" Lg.	35	619-0009		Frame Counterweight
17	738-0876		Shld. Nut		710-1007		Hex L-Wash. TT-Tap Scr. 3/8-16 Thd.
18	712-0266		Hex Jam L-Nut 3/8-16 Thd.	36	710-3002		Hex Cap Bolt 5/16-18 x 1" Lg. (Gr. 5)
19	756-0405		FI-Idler w/Flanges	37	712-3004A		Hex Flange L-Nut 5/16-18 Thd.
20	710-0152		Hex Bolt 3/8-24 x 1" Lg.	38	—		Engine
21	736-0217		L-Wash. 3/8" I.D.	41	686-0043		Tine Shield Brkt. Ass'y.
22	736-0258		FI-Wash. 3/8" I.D. x 1" O.D.	42	710-3038		Hex Cap Bolt 5/16-18 x 7/8" Lg.
23	756-0972		Outer Engine Pulley Half				

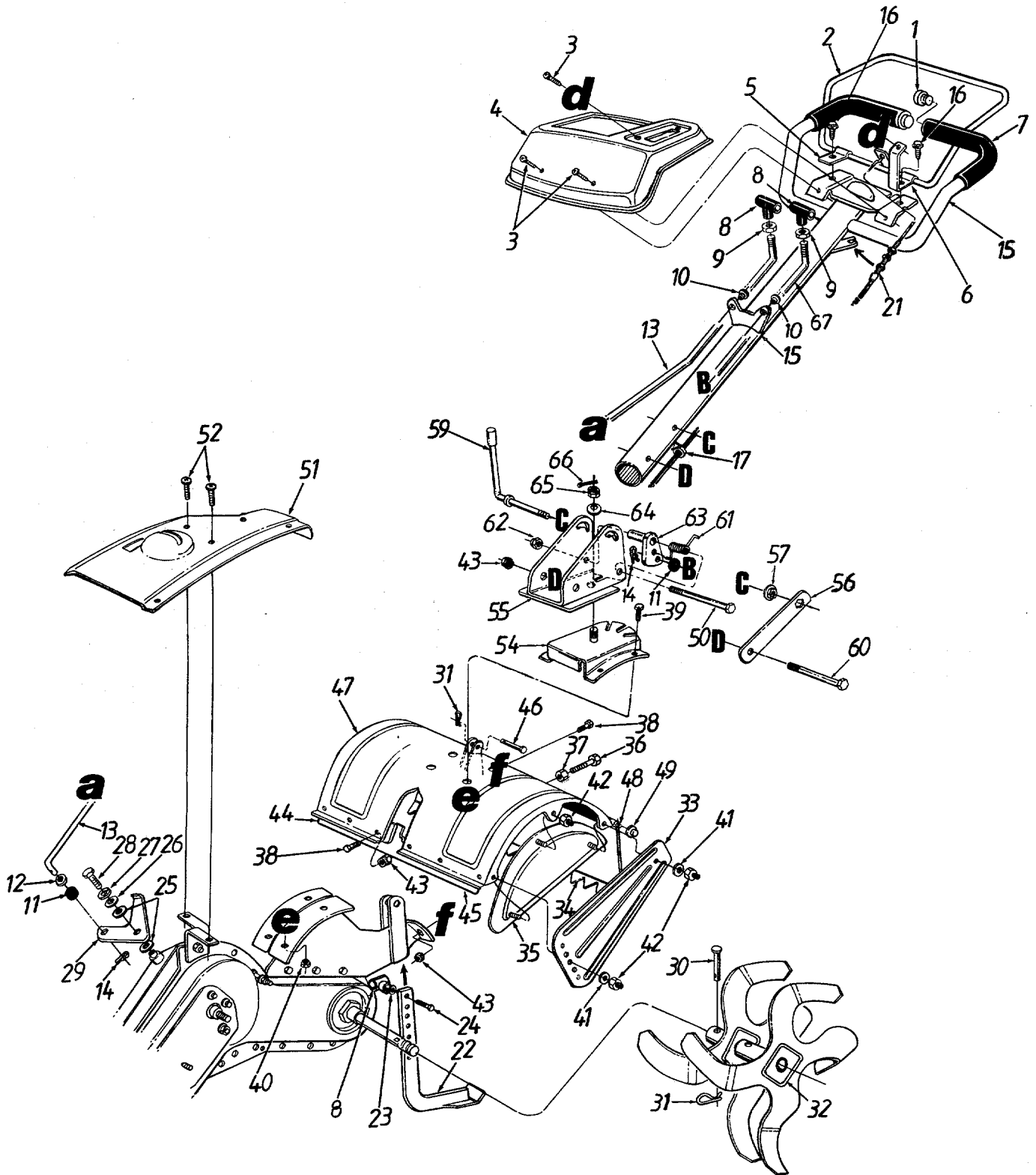
# Models 410 and 420



## PARTS LIST FOR MODELS 410 AND 420 REAR TINE TILLERS

REF. NO.	PART NO.	CODE	DESCRIPTION	REF. NO.	PART NO.	CODE	DESCRIPTION
1	721-0295		Chain Case Gasket	29	686-0038		Gear Case Ass'y. Half—R.H.
2	786-0086		Reinforcement Plate	30	736-0406		Fl-Wash. 7/16" I.D. x 1-3/8" O.D.
3	716-0865		Snap Ring	31	617-0002		Gear and Sprocket Ass'y.
4	750-0938		Spacer .735" I.D. x .816" O.D.	32	738-0884		Jack Shaft 5" Lg.
5	711-1015		Wheel Shaft	33	750-0931		Spacer .636" I.D. x .86" O.D.
6	717-1406		Spur Gear 46T	34	736-0302		Fl-Wash. .63" I.D. x .94" O.D.
7	715-0215		Pin Type "E" Grooved	35	717-1411		Spur Gear 10T
8	736-0351		Fl-Wash. .76" I.D. x 1.5" O.D.	36	750-0930		Spacer 1.5" I.D. x 1.76" O.D.
9	784-0166		Dust Cover Ass'y. .75" Shaft	37	713-0436		Sprocket—#41 Chain
10	736-0406		Fl-Wash. 7/16" I.D. x 1-3/8" O.D.	38	717-1405		Reverse Gear 46T
11	686-0039		Gear Case Ass'y. Half—L.H.	39	736-0518		Thrust Wash. .445" I.D. x 1.92" O.D.
12	750-0935		Spacer .635" I.D. x 1" O.D. x .78 Thk.	40	618-0105		Shifter Ass'y.
13	738-0885		Jack Shaft 2.06" Lg.	41	717-1409		Spur Gear 17T
14	750-0936		Spacer .635" I.D. x 1" O.D. x .37" Thk.	42	736-0442		Fl-Wash. .69" I.D. x 1.06" O.D.
15	617-0004		Gear Idler Ass'y.	43	716-0234		Retaining Ring .669" Shaft
16	712-3067		Hex Patch L-Nut 7/16-20 Thd.	44	718-0234		Clutch Collar
17	736-0407		Bell-Wash. .45" I.D. x 1" O.D.	45	716-0235		Retaining Ring .875" Shaft
18	712-0378		Hex Nut 7/16-20 Thd.	46	711-0952		Drive Shaft
19	710-0599		Hex Wash. Hd. TT-Tap Scr. 1/4-20 x .5" Lg.	47	713-0435		Sprocket 11T
20	732-0863		Spring Detent	48	750-0928		Neutral Spacer
21	741-0862		Ball Detent	49	717-1408		Spur Gear 16T
22	784-0167		Dust Cover Ass'y. 1" Shaft	50	736-0336		Fl-Wash. 5/8" I.D. x 1" O.D.
23	736-0163		Thrust Wash. 1.03" I.D. x 1.62" O.D.	51	741-0124		Ball Bearing .669" I.D.
24	750-0570		Spacer 1" I.D. x 2" O.D. x .5" Thk.	52	736-00329		L-Wash. 1/4" I.D.
26	611-0021		Tine Shaft Ass'y.	53	710-0258		Hex Bolt 1/4-20 x .62" Lg.
27	713-0226		Chain #50 5/8" Pitch x 52 Links—Endless	54	736-0511		Fl-Wash. .635" I.D. x 1" O.D.
28	713-0223		Chain—#41 1/2" Pitch x 30 Links—Endless	55	741-0563		Ball Bearing
				56	736-0512		Fl-Wash. .281" I.D. x .875" O.D.
				57	686-0040		Gear Case Ass'y. Comp.
				58	718-0227		Key—Drive Shaft (Not Shown)

# Model 420

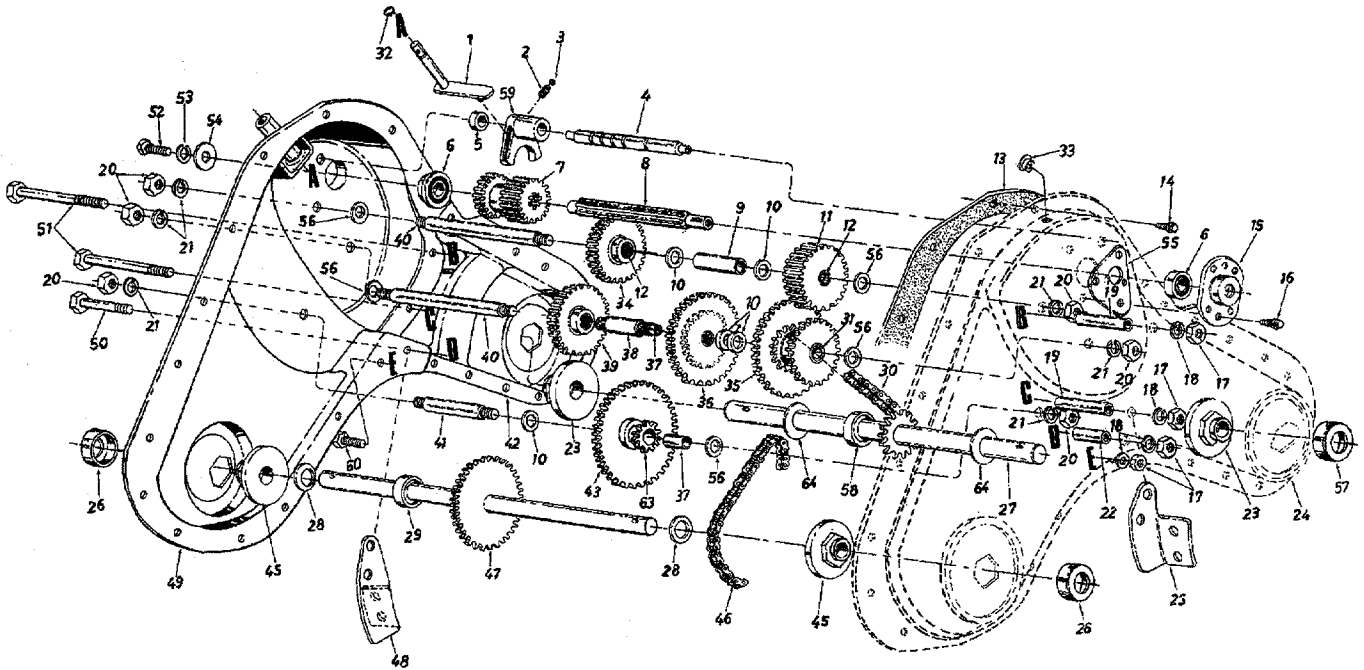


# Model 420

## PARTS LIST FOR MODEL 420 REAR TINE TILLER

REF. NO.	PART NO.	CODE	DESCRIPTION	REF. NO.	PART NO.	CODE	DESCRIPTION
1	735-0246		Vinyl End Plug	34	786-0113		Rear Tine Shield
2	647-0014		Clutch Control Ass'y.	35	686-0044		End Cover Ass'y.
3	710-1017		Torx Mach. AB-Tap Scr. 1/4 x .62" Lg.	36	710-0528		Hex Cap Bolt 5/16-18 x 1.25" Lg.
4	786-0131	N	Handle Cover	37	712-0267		Hex Nut 5/16-18 Thd.
5	786-0098		Retaining Brkt.—R.H.	38	710-0118		Hex Bolt 5/16-18 x .75" Lg.
6	786-0118		Retaining Brkt.—L.H.	39	710-3097		Carriage Bolt 3/8-16 x 1" Lg.
7	720-0278		Grip (2 Req'd.)	40	712-0130		Hex Ins. L-Nut 3/8-16 Thd.
8	720-0210A		Knob	41	736-0242		Bell-Wash. .345" I.D. x .88" O.D.
9	712-3008		Hex Jam Nut 3/8-16 Thd.	42	712-0419		Hex Cap L-Nut 5/16-18 Thd.
10	735-0228		Bushing 3/8" I.D.	43	712-3004A		Hex Flange Top L-Nut 5/16-18 Thd.
11	735-0127		Rubber Washer	44	786-0076		Tine Shield Brkt.—R.H.
12	736-0204		Fl-Wash. .344" I.D. x .6" O.D.	45	786-0077		Tine Shield Brkt.—L.H.
13	747-0902		Gear Shift Rod	46	711-0415		Clevis Pin .375" Dia.
14	714-0104		Hairpin Clip	47	786-0085		Tine Shield
15	649-0004		Handle Ass'y.	48	747-0432		Tiller Flap Rod
16	710-0599		Hex Wash. Hd. TT-Tap Scr. 1/4-20 x .5" Lg.	49	726-0106		Cap Speed Nut
17	726-0330		Cable Clip	50	710-0521		Hex Bolt 3/8-16 x 3" Lg.
21	746-0916		Clutch Cable	51	786-0101		Shift Cover
22	786-0120		Depth Bar	52	710-1017		Torx Mach. AB-Tap Scr. 1/4 x .6"
23	736-0117		Fl-Wash. 3/8" I.D. x 5/8" O.D.	54	784-0181A		Handle Positioner Brkt. Ass'y.
24	710-0216		Hex Bolt 3/8-16 x .75" Lg.	55	686-0048		Handle Pivot Brkt. Ass'y.
25	717-0234		Washer 1" O.D. (Hdn.)	56	784-0191		Hex Nut Retainer Brkt.
26	736-0173		Fl-Wash. .281" I.D. x .73" O.D.	57	712-0379		Hex Flange Nut 3/8-24 Thd.
27	736-0329		L-Wash. 1/4" I.D.*	59	784-0190		Handle Adjustment Crank
28	710-0751		Hex Bolt 1/4-20 x .62" Lg. (Gr. 5)	60	710-0189		Hex Bolt 5/16-18 x 3" Lg.
29	786-0095		Shift Brkt.	61	732-0493		Torsion Spring
30	711-0415		Clevis Pin	62	712-0375		Hex L-Nut 3/8-16 Thd.
31	714-0149B		Hairpin Clip	63	748-0375		Handle Swing Link
32	642-0015		Tine Ass'y.—L.H.	64	736-0317		Bell-Wash. 5/8" I.D.
	642-0016		Tine Ass'y.—R.H. (Nct Shown)	65	712-0386A		Hex Slotted Nut 5/8-18 Thd.
33	786-0090		Side Shield	66	714-3021		Cotter Pin 1/8" x 1-5/8"
				67	747-0901		Handle Adjustment Rod

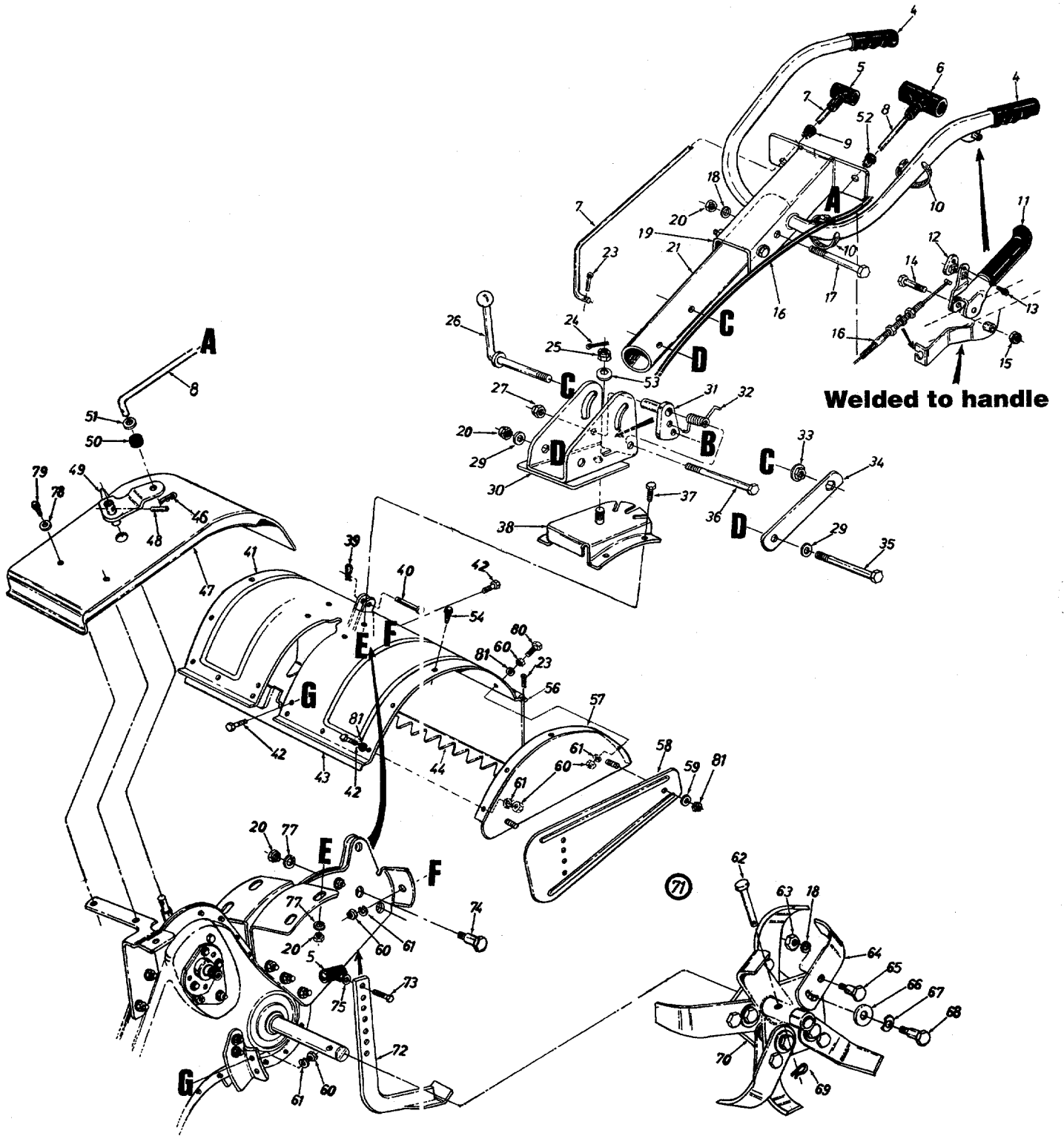
# Model 430



## PARTS LIST FOR MODEL 430 REAR TINE TILLER

REF. NO.	PART NO.	CODE	DESCRIPTION	REF. NO.	PART NO.	CODE	DESCRIPTION
1	784-0171A		Shifting Bracket Ass'y.	34	717-0854		Spur Gear 30T 12/16" I.D.
2	732-0496		Compression Spring .50" Lg.	35	717-0874		30/44T Gear Ass'y. Comp.
3	741-0862		Ball Detent .250" Dia.	36	717-0863		Spur Gear 44T
4	738-0645		Detent Shaft 1/2" Dia.	37	741-0181		Sleeve Bearing
5	750-0664		Spacer .505" I.D. x .88" O.D.	38	717-0835		Gear Hub 3/4" I.D. x 3" Lg.
6	741-0155		Ball Brg. .62" I.D. x 1.38"	39	717-0855		Spur Gear 30T 1.0" I.D. x 1/2" W
7	717-0851		Spur Gear 16T (Input)	40	738-0647		Jack Shaft 5/8" Dia. x 5"
8	717-0852		Input Spline Shaft 7/8"	41	738-0648		Jack Shaft 5/8" Dia. x 2.38"
9	750-0651		Spacer .657" I.D. x 2.85" Lg.	42	784-0215		Trans. Housing Ass'y.—R.H.
10	736-0187		Fl-Wash. .640" I.D. x 1.24"	43	717-0858		Spur Gear 55T
11	717-0857		Spur Gear 30T 7/8" I.D.	45	741-0421		Wheel Brg. .752" x 2.5"
12	741-0478		Needle Bearing 5/8" I.D.	46	713-0367		#420 Chain 1/2 Pitch x 50 Links—Endless
13	721-0211		Gasket—Trans. Hsg.	47	611-0020		Wheel Shaft Ass'y. 15.6"
14	710-0599		Hex S-Tap Scr. 1/4-20 x .5"	48	784-0192		Bracket Gear Case—R.H.
15	784-0211		1-3/8" Dia. Bearing Housing	49	784-0195		R.H. Housing Ass'y.
16	710-0642		Hex TT-Tap Scr. 1/4-20 x .75"	50	710-0116		Hex Bolt 5/16-18 x 2"
17	712-0267		Hex Nut 5/16-18 Thd.*	51	710-0378		Hex Bolt 5/16-18 x 2.5"
18	736-0119		L-Wash. 5/16" I.D.*	52	710-0513		Hex Bolt 1/4-20 x .62" Lg.
19	750-0662		Spacer 1.56" Lg.	53	736-0169		L-Wash. 3/8" I.D.*
20	712-0378		Hex Nut 7/16-20 Thd.	54	736-0176		Fl-Wash. 1/4" I.D. x .93" O.D.
21	736-0407		Bell-Wash. .45" I.D. x 1.0"	55	786-0065		Gear Positioner Bracket
22	750-0661		Spacer 1.015" Lg.	56	736-0406		Fl-Wash. 7/16" I.D. x 1-3/8"
23	741-0420		Tine Shaft Brg. 1.002 x 2.50	57	784-0167		Dust Cover Ass'y. 1" Shaft
24	784-0214		Trans. Housing Ass'y.—L.H.	58	750-0570		Spacer 1" I.D. x 2" O.D.
25	784-0193		Bracket Gear Case—L.H.	59	717-0853		Shifting Fork
26	784-0166		Dust Cover Ass'y. .75" Shaft	60	710-0118		Hex Bolt 5/16-18 x .75" Lg.*
27	611-0021		Tine Shaft Ass'y. 1" O.D.	63	784-0162		10T Sprocket Ass'y.
28	736-0351		Fl-Wash. .76" I.D. x 1.5" O.D.	64	736-0163		Thrust Wash. 1.03" I.D. x 1.62" O.D.
29	750-0671		Spacer .75" I.D. x .50" Lg.				16 oz. Bottle #00EP Grease (27 oz. Req'd.)
30	713-0226		Chain #50 5/8 Pitch x 52 Links—Endless				Gear Case Assembly Complete
31	741-0488		Needle Bearing 5/8" I.D.				
32	716-0865		Snap Ring	—	737-0223		
33	726-0277		Taper Cap Plug	—	686-0058		

# Model 430





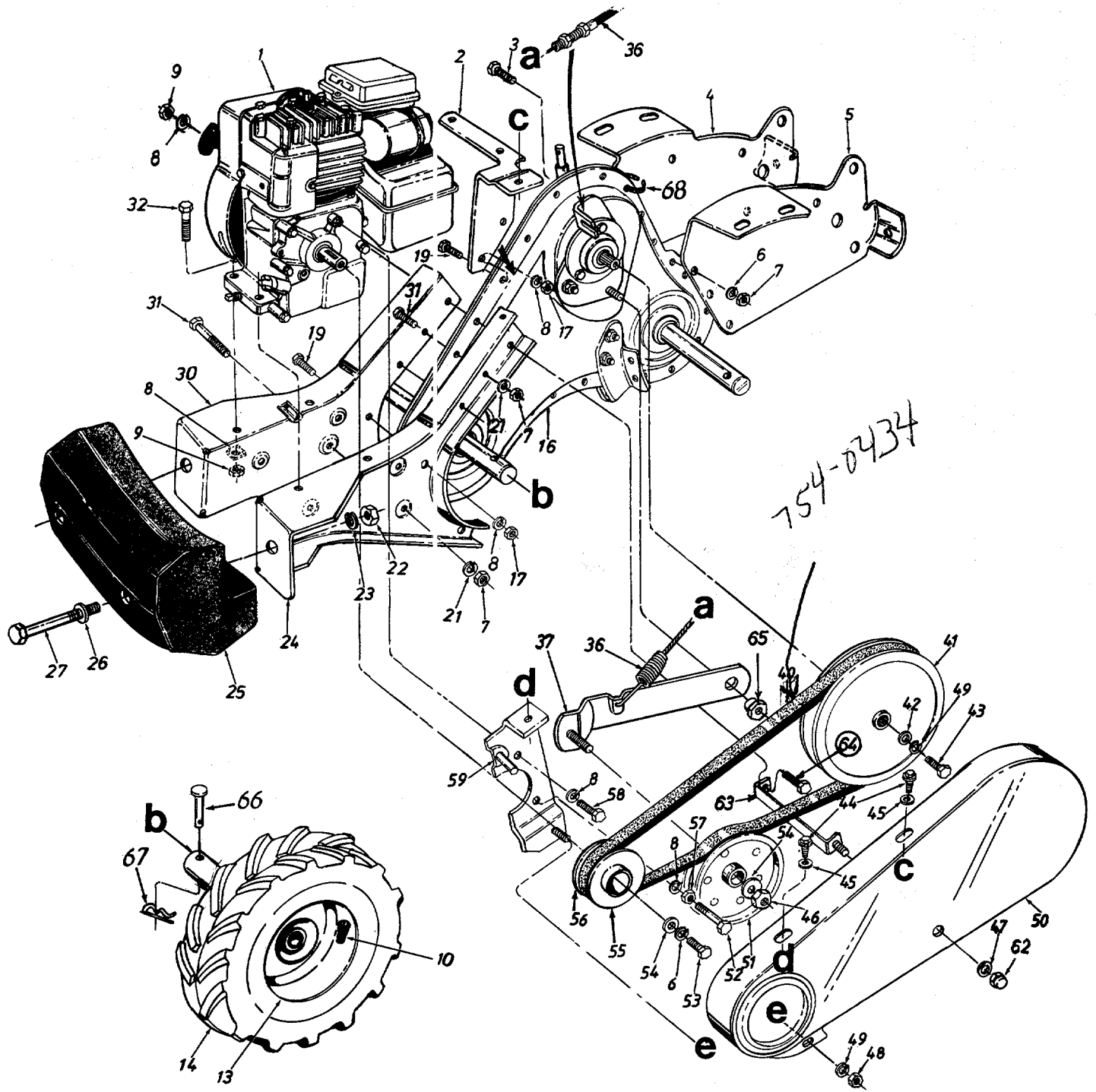
# Model 430

## PARTS LIST FOR MODEL 430 REAR TINE TILLER

REF. NO.	PART NO.	CODE	DESCRIPTION	REF. NO.	PART NO.	CODE	DESCRIPTION
4	720-0180		Handle Grip	41	784-0156		Tine Shield 18"
5	720-0210A		Small "T" Knob	42	710-0118		Hex Bolt 5/16-18 x .75" Lg.*
6	720-0209		Large "T" Knob	43	784-0210		Bracket Reinforcement—18"
7	747-0666		Clutch Rod	44	14979		Tine Shield Hinge Flap
8	747-0664		Control Rod 37" Lg.	46	714-0104		Intern. Cotter Pin 5/16" Dia.
9	735-0228		Snap On Bushing 3/8" Dia.	47	784-0208A		Shift Cover
10	725-0157		Cable Tie-Self Clinching	48	715-0120		Spring Roll Pin 3/16" Dia.
11	784-0202B		Clutch Grip Ass'y.—L.H.	49	784-0173		Shifting Crank Ass'y.
12	746-0605		Barrel Cable Hold Down	50	735-0127		Rubber Washer .33" I.D.
13	710-0919		Hex B-Tap Scr. #10 x .44" Lg.	51	736-0133		FI-Wash. .4" I.D. x 1.25" O.D.
14	710-0331		Hex Bolt 3/8-24 x 2.25" Lg.*	52	735-0227		Snap On Bushing 1/2" Dia.
15	712-0262		Hex Jam L-Nut 3/8-24 Thd.	53	736-0317		Bell-Wash. .63" I.D. x 1.25"
16	746-0908		Clutch Control Cable 46" Lg.	54	710-0607		Hex Wash. Tap Scr.
17	710-0194		Hex Bolt 3/8-16 x 3.00" Lg.*	56	747-0432		Tiller Flap Rod
18	736-0217		L-Wash. 3/8" I.D.—H.D.	57	784-0179		End Cover Ass'y.
19	686-0075		Handle Ass'y.	58	15390		Side Shield
20	712-0798		Hex Nut 3/8-16 Thd.*	59	736-0242		Bell-Wash. .345" I.D. x .88"
21	784-0189		Handle Tubing Ass'y.	60	712-0267		Hex Nut 5/16-18 Thd.*
23	714-0507		Cotter Pin 3/32" Dia. x .75" Lg.*	61	736-0119		L-Wash. 5/16" I.D.*
24	714-3021		Cotter Pin 3/32" Dia. x 1.25" Lg.*	62	711-0415		Clevis Pin .375" Dia.
25	712-0386A		Hex Slotted Nut 5/8-18 Thd.	63	712-0241		Hex Nut 3/8-24 Thd.*
26	784-0190		Handle Adj. Crank	64	742-0305		13" Dia. Articulating Tine
27	712-0375		Hex Cent. L-Nut 3/8-16 Thd.	65	738-0689		Shld. Bolt 1/2" Dia. x .175
29	736-0105		Bell-Wash. .4" I.D. x .87" O.D.	66	736-0208		FI-Wash. .51" I.D. x 1.50"
30	784-0263		Handle Pivot Bracket	67	736-0255		Bell-Wash. .515" I.D. x 1.14"
31	784-0183		Positioner Crank Ass'y.	68	738-0688		Shld. Bolt 1/2" Dia. x .320
32	732-0493		Spring Handle Adj. (Torsion)	69	714-0149B		Intern. Cotter Pin
33	712-0379		Hex Flange Nut 3/8-24 Thd.	70	784-0160		Tine Adapter Ass'y. 18"
34	784-0191		Bracket Hex Nut Retainer	71	784-0205		Tine Ass'y. Comp. 18"
35	710-0644		Hex Bolt 3/8-16 x 3.25" Lg.*	72	14992		Depth Bar Ass'y.
36	710-0521		Hex Bolt 3/8-16 x 3.00" Lg.—Gr. 8	73	710-0216		Hex Bolt 3/8-16 x .75" Lg.*
37	710-0253		Hex Bolt 3/8-16 x 1" Lg.*	74	738-0148		Shld. Bolt 1/2" I.D. x .62" Lg.
38	784-0181A		Handle Positioner Brkt. Ass'y.	75	736-0117		FI-Wash. 3/8" I.D. x 5/8" O.D.
39	714-0149B		Intern. Cotter Pin	77	736-0169		L-Wash. 3/8" I.D.*
40	711-0415		Clevis Pin .375" Dia.	78	736-0463		FI-Wash. .281" I.D. x .62"
				79	710-0599		Hex Wash. Self-Tap Scr. 1/4-20 x .50" Lg.
				80	710-0528		Hex Bolt 5/16-18 x 11/4" Lg.*
				81	712-0419		Cap L-Nut 5/16-18 Thd.

\*For faster service obtain standard nuts, bolts and washers locally. If these items cannot be obtained locally, order by part number and size as shown on parts list.

# Model 430



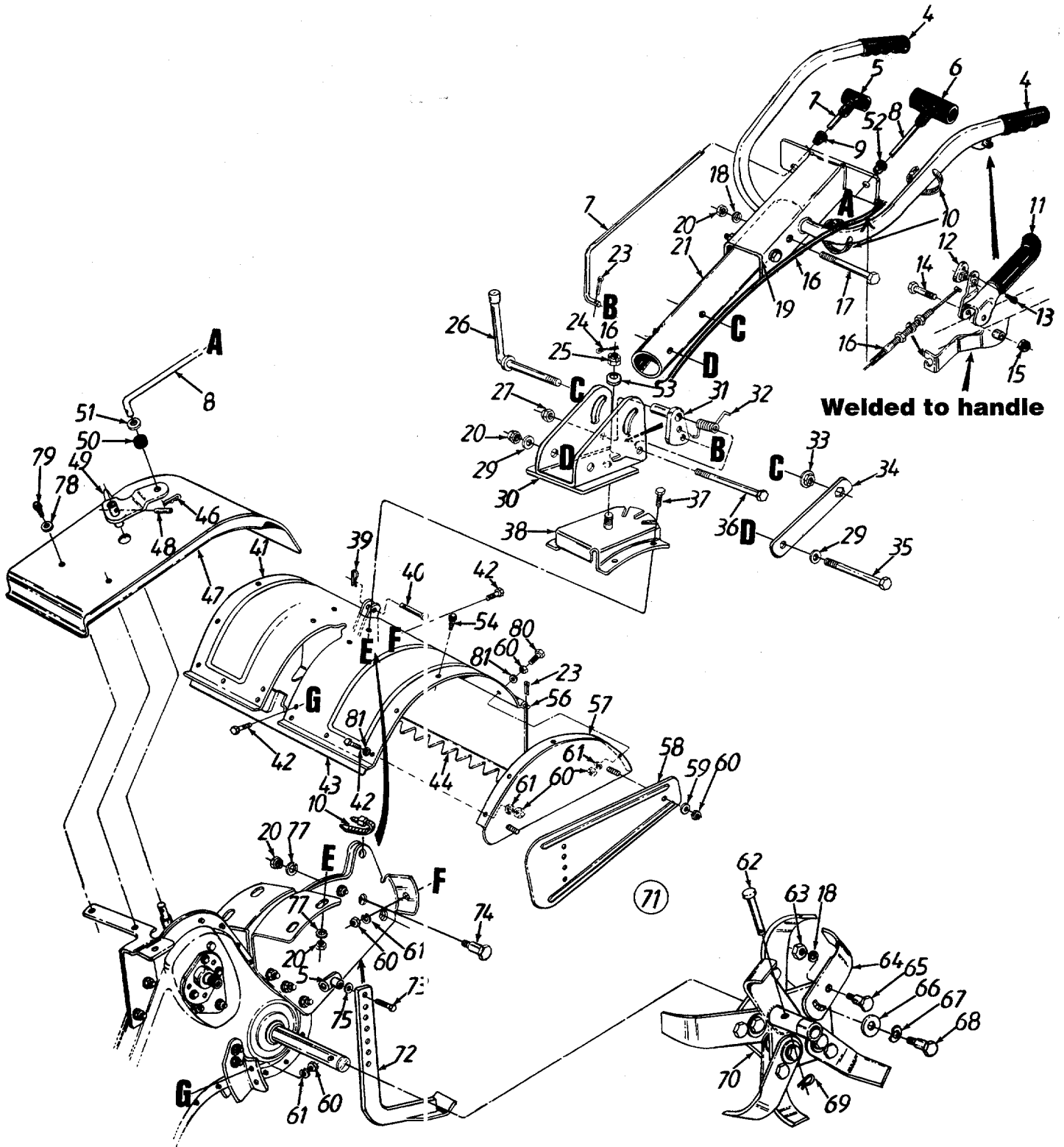
# Model 430

## PARTS LIST FOR MODEL 430 REAR TINE TILLER

REF. NO.	PART NO.	CODE	DESCRIPTION	REF. NO.	PART NO.	CODE	DESCRIPTION
1	—		Engine	40	<del>756-0634</del>		"V"-Belt
2	784-0199A		Belt Cover Mounting Brkt.	41	756-0634		FI-Pulley 8" O.D.
3	710-0253		Hex Bolt 3/8-16 x 1.00" Lg.*	42	736-0176		FI-Wash. 1/4" I.D. x .93" O.D.
4	784-0178		Tine Shield Mtg. Brkt.—R.H.	43	710-0412		Hex Bolt 1/4-28 x .75" Lg.
5	784-0177		Tine Shield Mtg. Brkt.—L.H.	44	710-0599		Hex Wash. Hd. S-Tap Scr. 1/4-20 x .50" Lg.
6	736-0169		L-Wash. 3/8" I.D.*	45	736-0463		FI-Wash. .281" I.D. x .625"
7	712-0798		Hex Nut 3/8-16 Thd.*	46	712-0262		Hex Cent. L-Nut 3/8-24 Thd.
8	736-0119		L-Wash. 5/16" I.D.*	47	736-3020		FI-Wash. .266" I.D. x .625" O.D.
9	712-0267		Hex Nut 5/16-18" Thd.*	48	712-0287		Hex Nut 1/4-20 Thd.*
10	734-0255		Air Valve	49	736-0329		L-Wash. 1/4" I.D.*
13	634-0112		Wheel Rim Ass'y. Only	50	784-0158		Belt Cover
14	634-0111		L.H. Wheel Ass'y. Comp.	51	756-0405		FI-Idler w/Flanges 3.75" O.D.
	634-0110		R.H. Wheel Ass'y. Comp.	52	710-0409		Hex Bolt 5/16-24 x 1.75"*
	734-1796		Tire Only	53	710-0152		Hex Bolt 3/8-24 x 1.00" Lg.*
16	686-0058		Gear Case Ass'y. Comp.	54	736-0258		FI-Wash. 3/8" I.D. x 1.00"
17	712-0267		Hex Nut 5/16-18 Thd.*	55	756-0972		Outer Engine Pulley Half
19	710-0118		Hex Bolt 5/16-18 x .75" Lg.*	56	756-0971		Inner Engine Pulley Half
21	736-0217		L-Wash. 3/8" I.D.—H.D.	57	712-0123		Hex Nut 5/16-24 Thd.*
22	712-0206		Hex Nut 1/2-13 Thd.*	58	710-0237		Hex Bolt 5/16-24 x .62" Lg.*
23	736-0921		L-Wash. 1/2" I.D.*	59	784-0197		Belt Keeper Ass'y.
24	784-0155		Engine Mounting Rail—R.H.	62	712-0392		Hex Cap Nut 1/4-28 Thd.
25	723-0381		#40 Counter Weight	63	686-0027		Belt Cover Brkt. Ass'y.
26	736-0326		FI-Wash. .510" I.D. x 1.0"	64	710-0376		Hex Bolt 5/16-18 x 1" Lg. (Gr. 5)
27	710-0382		Hex Bolt 1/2-13 x 5.00" Lg.*	65	738-0876		Shld. Nut
30	784-0154		Engine Mounting Rail—L.H.	66	711-1017		Clevis Pin
31	710-0216		Hex Bolt 3/8-16 x .75" Lg.*	67	714-0104		Hairpin Clip
32	710-0442		Hex Bolt 5/16-18 x 1.50"*	68	725-0157		Cable Tie—Self Clinching
36	746-0908		Clutch Control Cable 46" Lg.				
37	686-0026		Idler Bracket Ass'y.				

\*For faster service obtain standard nuts, bolts and washers locally.  
If these items cannot be obtained locally, order by part number  
and size as shown on parts list.

# Model 447



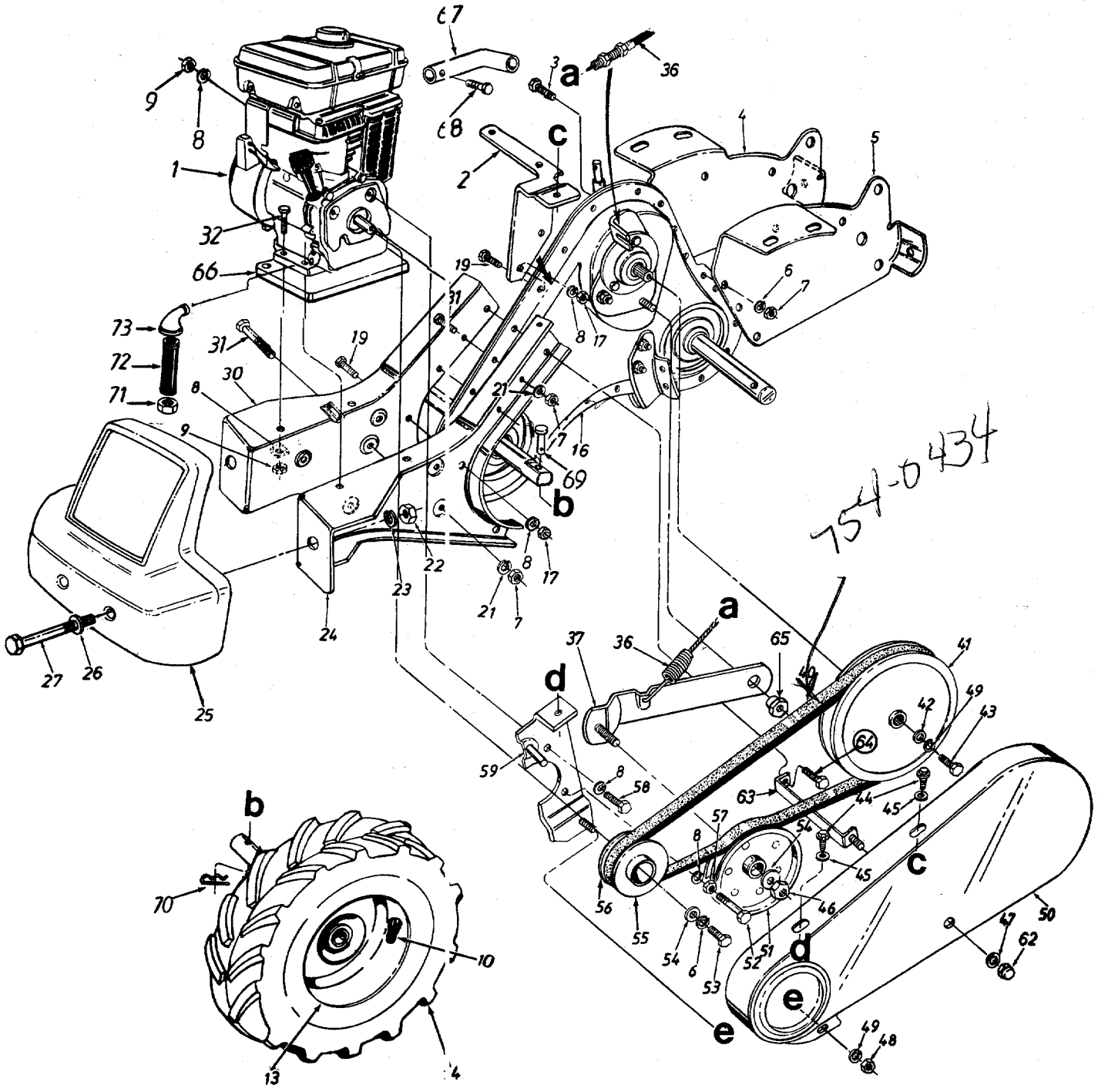
# Model 447

## PARTS LIST FOR MODEL 447 REAR TINE TILLER

REF. NO.	PART NO.	CODE	DESCRIPTION	REF. NO.	PART NO.	CODE	DESCRIPTION
4	720-0180		Handle Grip	41	784-0156		Tine Shield 18"
5	720-0210A		Small "T" Knob	42	710-0118		Hex Bolt 5/16-18 x .75" Lg.*
6	720-0209		Large "T" Knob	43	784-0210		Bracket Reinforcement—18"
7	747-0666		Clutch Rod	44	14979		Tine Shield Hinge Flap
8	747-0664		Control Rod 37" Lg.	46	714-0104		Intern. Cotter Pin 5/16" Dia.
9	735-0228		Snap On Bushing 3/8" Dia.	47	784-0208A		Shift Cover
10	725-0157		Cable Tie-Self Clinching	48	715-0120		Spring Roll Pin 3/16" Dia.
11	784-0202B		Clutch Grip Ass'y.—L.H.	49	784-0173		Shifting Crank Ass'y.
12	746-0605		Barrel Cable Hold Down	50	735-0127		Rubber Washer .33" I.D.
13	710-0919		Hex B-Tap Scr. #10 x .44" Lg.	51	736-0133		FI-Wash. .4" I.D. x 1.25" O.D.
14	710-0331		Hex Bolt 3/8-24 x 2.25" Lg.*	52	735-0227		Snap On Bushing 1/2" Dia.
15	712-0262		Hex Jam L-Nut 3/8-24 Thd.	53	736-0317		Bell-Wash. .63" I.D. x 1.25"
16	746-0908		Clutch Control Cable 46" Lg.	54	710-0607		Hex Wash. Tap Scr.
17	710-0194		Hex Bolt 3/8-16 x 3.00" Lg.*	56	747-0432		Tiller Flap Rod
18	736-0217		L-Wash. 3/8" I.D.—H.D.	57	784-0179		End Cover Ass'y.
19	686-0075	N	Handle Ass'y.	58	15390		Side Shield
20	712-0798		Hex Nut 3/8-16 Thd.*	59	736-0242		Bell-Wash. .345" I.D. x .88"
21	784-0189		Handle Tubing Ass'y.	60	712-0267		Hex Nut 5/16-18 Thd.*
23	714-0507		Cotter Pin 3/32" Dia. x .75" Lg.*	61	736-0119		L-Wash. 5/16" I.D.*
24	714-3021		Cotter Pin 3/32" Dia. x 1.25" Lg.*	62	711-0415		Clevis Pin .375" Dia.
25	712-0386A		Hex Slotted Nut 5/8-18 Thd.	63	712-0241		Hex Nut 3/8-24 Thd.*
26	784-0190		Handle Adj. Crank	64	742-0305		13" Dia. Articulating Tine
27	712-0375		Hex Cent. L-Nut 3/8-16 Thd.	65	738-0689		Shld. Bolt 1/2" Dia. x .175
29	736-0105		Bell-Wash. .4" I.D. x .87" O.D.	66	736-0208		FI-Wash. .51" I.D. x 1.50"
30	784-0263		Handle Pivot Bracket	67	736-0255		Bell-Wash. .515" I.D. x 1.14"
31	784-0183		Positioner Crank Ass'y.	68	738-0688		Shld. Bolt 1/2" Dia. x .320
32	732-0493		Spring Handle Adj. (Torsion)	69	714-0149B		Intern. Cotter Pin
33	712-0379		Hex Flange Nut 3/8-24 Thd.	70	784-0160		Tine Adapter Ass'y. 18"
34	784-0191		Bracket Hex Nut Retainer	71	784-0205		Tine Ass'y. Comp. 18"
35	710-0644		Hex Bolt 3/8-16 x 3.25" Lg.*	72	786-0120		Depth Bar
36	710-0521		Hex Bolt 3/8-16 x 3.00" Lg.—Gr. 8	73	710-0216		Hex Bolt 3/8-16 x .75" Lg.*
37	710-0253		Hex Bolt 3/8-16 x 1" Lg.*	74	738-0148		Shld. Bolt 1/2" I.D. x .62" Lg.
38	784-0181A		Handle Positioner Brkt. Ass'y.	75	736-0117		FI-Wash. 3/8" I.D. x 5/8" O.D.
39	714-0149B		Intern. Cotter Pin	77	736-0169		L-Wash. 3/8" I.D.*
40	711-0415		Clevis Pin .375" Dia.	78	736-0463		FI-Wash. .281" I.D. x .62"
				79	710-0599		Hex Wash. Self-Tap Scr. 1/4-20 x .50" Lg.
				80	710-0528		Hex Bolt 5/16-18 x 11/4" Lg.*
				81	712-0419		Cap L-Nut 5/16-18 Thd.

\*For faster service obtain standard nuts, bolts and washers locally. If these items cannot be obtained locally, order by part number and size as shown on parts list.

# Model 447



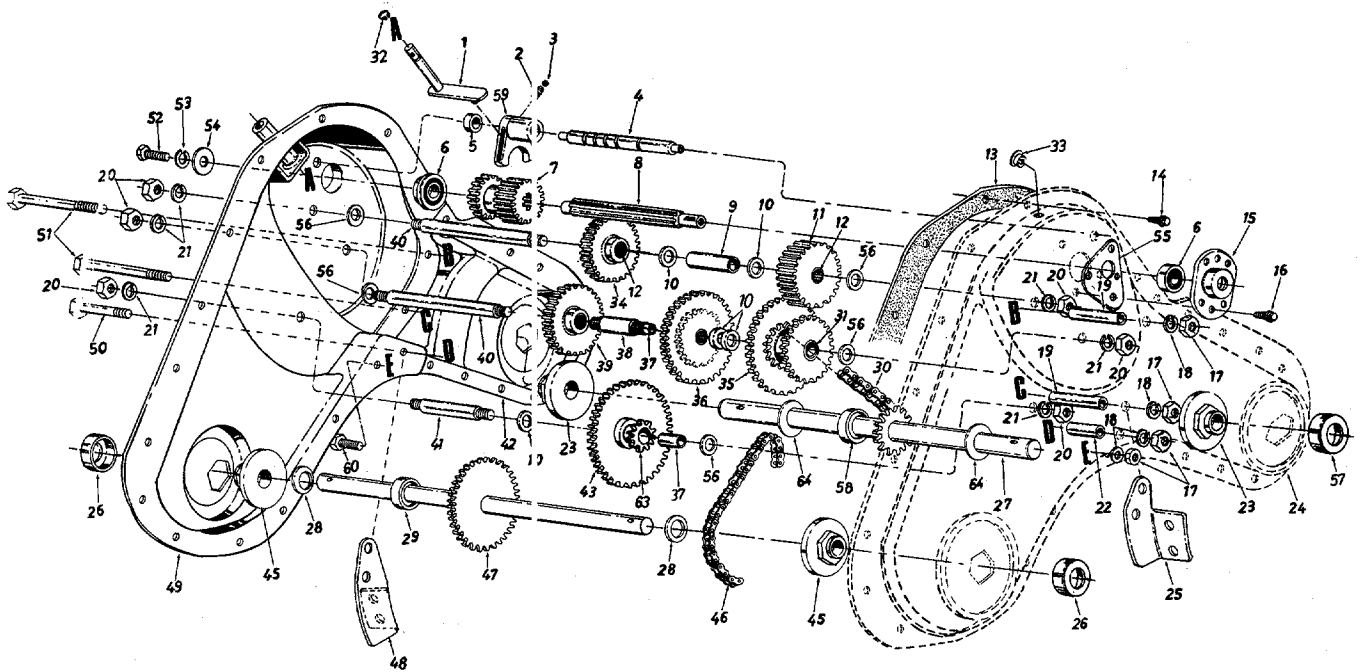
# Model 447

## PARTS LIST FOR MODEL 447 REAR TINE TILLER

REF. NO.	PART NO.	CODE	DESCRIPTION	REF. NO.	PART NO.	CODE	DESCRIPTION
1	—		Engine	43	710-0412		Hex Bolt 1/4-28 x .75" Lg.
2	786-0123		Shift Cover Mounting Brkt.	44	710-0599		Hex Wash. Hd. S-Tap Scr. 1/4-20 x .50" Lg.
3	710-0253		Hex Bolt 3/8-16 x 1.00" Lg.*	45	736-0463		FI-Wash. .281" I.D. x .625"
4	784-0178		Tine Shield Mtg. Brkt.—R.H.	46	712-0262		Hex Cent. L-Nut 3/8-24 Thd.
5	784-0177		Tine Shield Mtg. Brkt.—L.H.	47	736-3020		FI-Wash. .266" I.D. x .625" O.D.
6	736-0169		L-Wash. 3/8" I.D.*	48	712-0287		Hex Nut 1/4-20 Thd.*
7	712-0798		Hex Nut 3/8-16 Thd.*	49	736-0329		L-Wash. 1/4" I.D.*
8	736-0119		L-Wash. 5/16" I.D.*	50	784-0158		Belt Cover
9	712-0267		Hex Nut 5/16-18" Thd.*	51	756-0405		FI-Idler w/Flanges 3.75" O.D.
10	734-0255		Air Valve	52	710-0409		Hex Bolt 5/16-24 x 1.75"
13	634-0108		Wheel Rim Ass'y. Only	53	710-0152		Hex Bolt 3/8-24 x 1.00" Lg.*
14	634-0107		L.H. Wheel Ass'y. Comp.	54	736-0258		FI-Wash. 3/8" I.D. x 1.00"
	634-0106		R.H. Wheel Ass'y. Comp.	55	756-0971		Outer Engine Pulley Half
	734-0808		Tire Only	56	756-0972		Inner Engine Pulley Half
16	686-0058		Gear Case Ass'y. Comp.	57	712-0123		Hex Nut 5/16-24 Thd.*
17	712-0267		Hex Nut 5/16-18 Thd.*	58	710-0237		Hex Bolt 5/16-24 x .62" Lg.*
19	710-0118		Hex Bolt 5/16-18 x .75" Lg.*	59	686-0065		Belt Keeper Ass'y.
21	736-0217		L-Wash. 3/8" I.D.—H.D.	62	712-0392		Hex Cap Nut 1/4-28 Thd.
22	712-0206		Hex Nut 1/2-13 Thd.*	63	686-0064		Belt Cover Brkt. Ass'y.
23	736-0921		L-Wash. 1/2" I.D.*	64	710-0376		Hex Bolt 5/16-18 x 1" Lg. (Gr. 5)
24	784-0155		Engine Mounting Rail—R.H.	65	738-0876		Shld. Nut
25	731-1595	N	Counter Weight	66	717-0522		Engine Spacer Block
26	736-0326		FI-Wash. .510" I.D. x 1.0"	67	751-0596		Outlet Pipe
27	710-0382		Hex Bolt 1/2-13 x 5.00" Lg.*	68	710-0227		Hex Wash. Hd. AB-Tap Scr. #8 x .5" Lg.
30	784-0154		Engine Mounting Rail—L.H.	69	711-1017		Clevis Pin
31	710-0216		Hex Bolt 3/8-16 x .75" Lg.*	70	714-0104		Hairpin Clip
32	710-0176		Hex Bolt 5/16-18 x 2.75"	71	737-0132		Oil Cap 1/4" NPT
36	746-0908		Clutch Control Cable 46" Lg.	72	737-0130		Drain Pipe 1/4" NPT
37	686-0026		Idler Bracket Ass'y.	73	737-0195		Street Elbow 1/4" NPT
40	<del>756-0607</del>		"V"-Belt				
41	756-0634		FI-Pulley 8" O.D.				
42	736-0176		FI-Wash. 1/4" I.D. x .93" O.D.				

\*For faster service obtain standard nuts, bolts and washers locally.  
If these items cannot be obtained locally, order by part number  
and size as shown on parts list.

# Model 447



## PARTS LIST FOR MODEL 447 REAR TINE TILLER

REF. NO.	PART NO.	CODE	DESCRIPTION	REF. NO.	PART NO.	CODE	DESCRIPTION
1	784-0171A		Shifting Bracket Ass'y.	35	717-0874		30/44T Gear Ass'y. Comp.
2	732-0496		Compression Spring 50" Lg.	36	717-0863		Spur Gear 44T
3	741-0862		Ball Detent .250" Dia	37	741-0181		Sleeve Bearing
4	738-0645		Detent Shaft 1/2" Dia.	38	717-0835		Gear Hub 3/4" I.D. x 3" Lg.
5	750-0664		Spacer .505" I.D. x .88" O.D.	39	717-0855		Spur Gear 30T 1.0" I.D. x 1/2" W
6	741-0155		Ball Brg. .62" I.D. x 1.38"	40	738-0647		Jack Shaft 5/8" Dia. x 5"
7	717-0851		Spur Gear 16T (Input)	41	738-0648		Jack Shaft 5/8" Dia. x 2.38"
8	717-0852		Input Spline Shaft 7/8"	42	784-0215		Trans. Housing Ass'y.—R.H.
9	750-0651		Spacer .657" I.D. x 2.85" Lg.	43	717-0858		Spur Gear 55T
10	736-0187		Fl-Wash. .640" I.D. x 1.24"	44	726-0277		Plug
11	717-0857		Spur Gear 30T 7/8" I.D.	45	741-0421		Wheel Brg. .752" x 2.5"
12	741-0478		Needle Bearing 5/8" .D.	46	713-0367		#420 Chain 1/2 Pitch x 50 Links—Endless
13	721-0211		Gasket—Trans. Hsg.	47	611-0020		Wheel Shaft Ass'y. 15.6"
14	710-0599		Hex S-Tap Scr. 1/4-20 x .5"	48	784-0192		Bracket Gear Case—R.H.
15	784-0211		1-3/8" Dia. Bearing Housing	49	784-0195		R.H. Housing Ass'y.
16	710-0642		Hex TT-Tap Scr. 1/4-20 x .75"	50	710-0116		Hex Bolt 5/16-18 x 2"
17	712-0267		Hex Nut 5/16-18 Thd.*	51	710-0378		Hex Bolt 5/16-18 x 2.5"
18	736-0119		L-Wash. 5/16" I.D.*	52	710-0513		Hex Bolt 1/4-20 x .62" Lg.
19	750-0662		Spacer 1.56" Lg.	53	736-0169		L-Wash. 3/8" I.D.*
20	712-0378		Hex Nut 7/16-20 Thd.	54	736-0176		Fl-Wash. 1/4" I.D. x .93" O.D.
21	736-0407		Bell-Wash. .45" I.D. x 1.0"	55	786-0065		Gear Positioner Bracket
22	750-0661		Spacer 1.015" Lg.	56	736-0406		Fl-Wash. 7/16" I.D. x 1-3/8"
23	741-0420		Tine Shaft Brg. 1.002 x 2.50	57	784-0167		Dust Cover Ass'y. 1" Shaft
24	784-0214		Trans. Housing Ass'y.—L.H.	58	750-0570		Spacer 1" I.D. x 2" O.D.
25	784-0193		Bracket Gear Case—L.H.	59	717-0853		Shifting Fork
26	784-0166		Dust Cover Ass'y. .71" Shaft	60	710-0118		Hex Bolt 5/16-18 x .75" Lg.*
27	611-0021		Tine Shaft Ass'y. 1" O.D.	63	784-0162		10T Sprocket Ass'y.
28	736-0351		Fl-Wash. .76" I.D. x 1.5" O.D.	64	736-0163		Thrust Wash. 1.03" I.D. x 1.62" O.D.
29	750-0671		Spacer .75" I.D. x .50" Lg.				16 oz. Bottle #00EP Grease (27 oz. Req'd.)
30	713-0226		Chain #50 5/8 Pitch x 52 Links—Endless				Gear Case Ass'y. Comp.
31	741-0488		Needle Bearing 5/8" .D.		737-0223		
32	716-0865		Snap Ring				
33	726-0277		Taper Cap Plug		686-0058		
34	717-0854		Spur Gear 30T 12/16" I.D.				



## Free Manuals Download Website

<http://myh66.com>

<http://usermanuals.us>

<http://www.somanuals.com>

<http://www.4manuals.cc>

<http://www.manual-lib.com>

<http://www.404manual.com>

<http://www.luxmanual.com>

<http://aubethermostatmanual.com>

Golf course search by state

<http://golfingnear.com>

Email search by domain

<http://emailbydomain.com>

Auto manuals search

<http://auto.somanuals.com>

TV manuals search

<http://tv.somanuals.com>