

OPERATOR'S MANUAL

TRACTOR SNOW CAB

**Model Number
190-751-OEM**

IMPORTANT: READ SAFETY RULES AND INSTRUCTION CAREFULLY.

MTD PRODUCTS INC. P.O. BOX 368022 CLEVELAND, OHIO 44136-9722

RULES FOR SAFE OPERATION

Any power equipment can cause injury if operated improperly or if the user does not understand how to operate the equipment. Exercise caution at all times, when using power equipment.

1. This cab provides foul weather protection only. It does not provide protection against exhaust fumes, collision, rollover or other accidents.
2. Read the snow cab and vehicle owner's manuals and know how to operate your vehicle before using the snow cab attachment.
3. Be sure there is adequate ventilation when using the tractor and snow cab in confined areas.
4. The snow cab will restrict your field of vision in some directions. Use extra caution when operating your tractor with the snow cab attached.
5. Watch out for low tree limbs or other overhead obstructions that may not previously have interfered with operation of the tractor. The extra height of the snow cab may cause these objects to become obstacles.
6. Check the area of operation thoroughly before using the tractor.



Look for this symbol to point out important safety precautions. It means--**Attention!! Become alert!! Your safety is involved.**

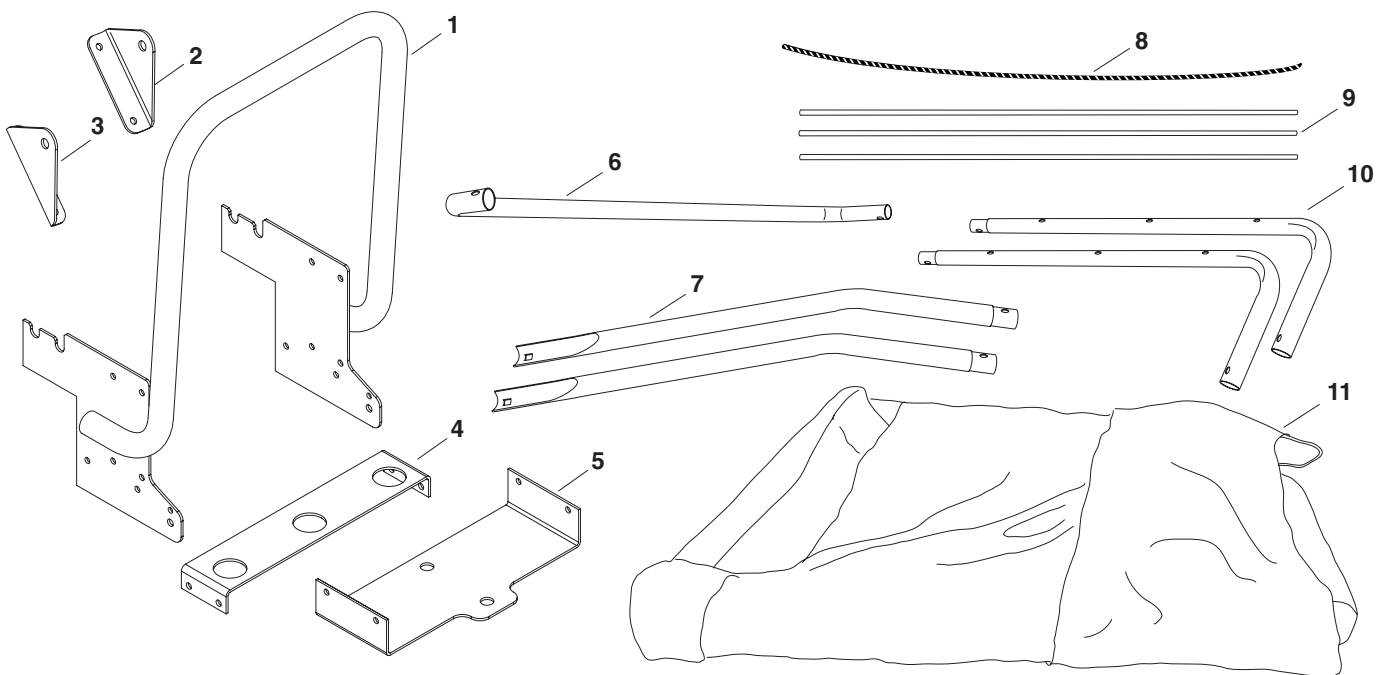
UNPACKING

Open carton. Remove parts and literature. Make certain all parts and literature are removed before the carton is discarded.

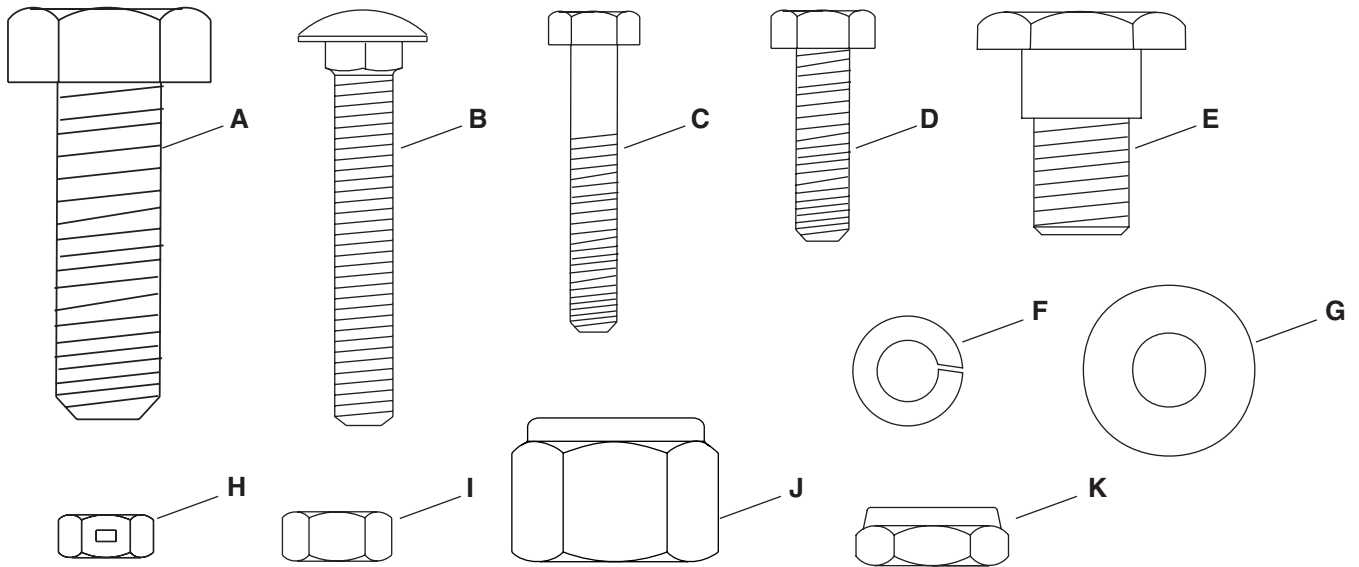
Lay out all parts according to the illustration below.

CARTON CONTENTS

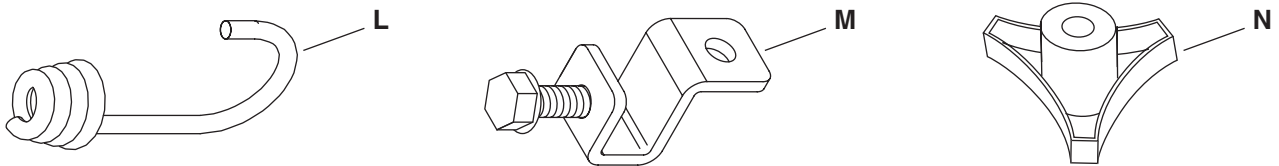
- | | | | |
|----|--------------------|-----|------------------------|
| 1. | Base Assembly | 7. | Upright Tubes (2) |
| 2. | RH Adapter Bracket | 8. | Rope |
| 3. | LH Adapter Bracket | 9. | Support Rods (3) |
| 4. | Tool Bracket | 10. | Top Tubes (2) |
| 5. | Drawbar Bracket | 11. | Vinyl Canopy |
| 6. | U-Tube | | Parts Bag (see page 3) |



SHOWN FULL SIZE



NOT SHOWN FULL SIZE



REF.	QTY.	DESCRIPTION	REF.	QTY.	DESCRIPTION
A	1	Hex Bolt, 5/8" x 1-3/4"	H	4	Hex Lock Nut, 1/4"
B	2	Carriage Bolt, 5/16 x 2"	I	8	Hex Nut, 5/16"
C	4	Hex Bolt, 1/4 x 1-1/2"	J	1	Hex Nut, 5/8"
D	8	Hex Bolt, 5/16" x 1"	K	2	Jam Nut, 1/2"
E	2	Shoulder Bolt	L	4	Spiral Hook
F	8	Lock Washer, 5/16"	M	2	Footrest Clamp
G	2	Flat Washer, 5/16"	N	2	Plastic Knob

TOOLS REQUIRED FOR ASSEMBLY

- (2) 7/16" Wrenches
- (2) 1/2" Wrenches
- (1) 3/4" Wrench
- (2) 15/16" Wrenches

REMOVAL OF PARTS FROM TRACTOR

1. Remove any rear mounted attachments which may be installed on your tractor
2. Mark and save all removed parts.

ASSEMBLING BRACKETS TO TRACTOR

FAST-ATTACH TRACTORS

3. Skip to ASSEMBLING THE BASE

STANDARD FRAME TRACTORS

4. Remove top four bolts from rear of tractor frame. See figure 1.
5. Attach LH and RH adapter brackets to rear of tractor frame using bolts removed in step 4. See figure 2.

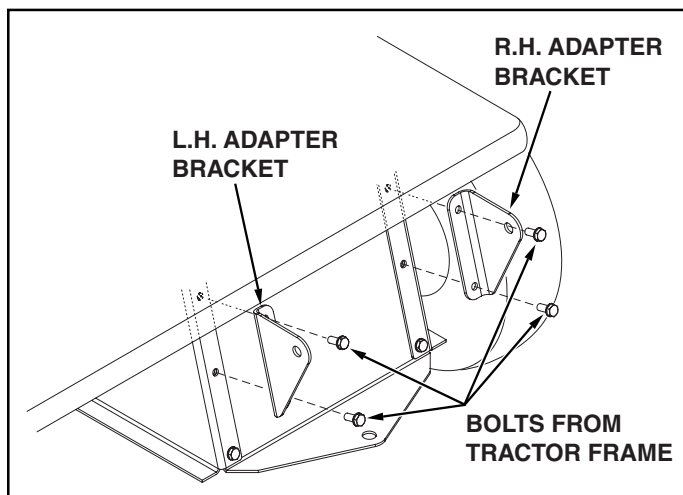


FIGURE 1

6. Assemble a shoulder bolt and a 1/2" jam nut to each adapter bracket. See figure 2.

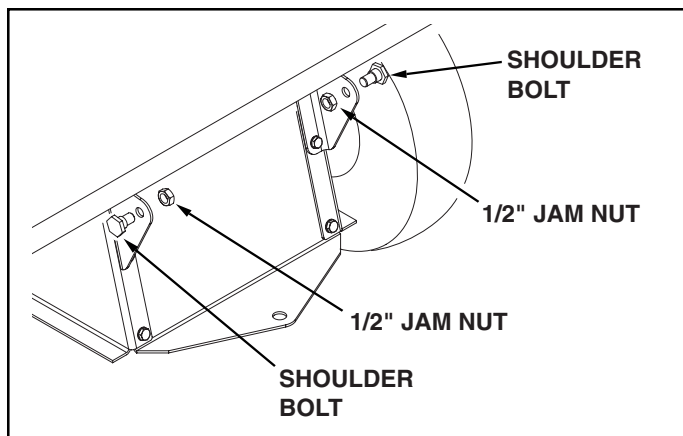


FIGURE 2

ASSEMBLING THE BASE

7. Assemble the drawbar bracket to the base assembly using four 5/16" x 1" hex bolts, 5/16" lockwashers and 5/16" hex nuts. See figure 3.
8. Attach the tool bracket to the base assembly using four 5/16" x 1" hex bolts, 5/16" lockwashers and 5/16" hex nuts. See figure 3.

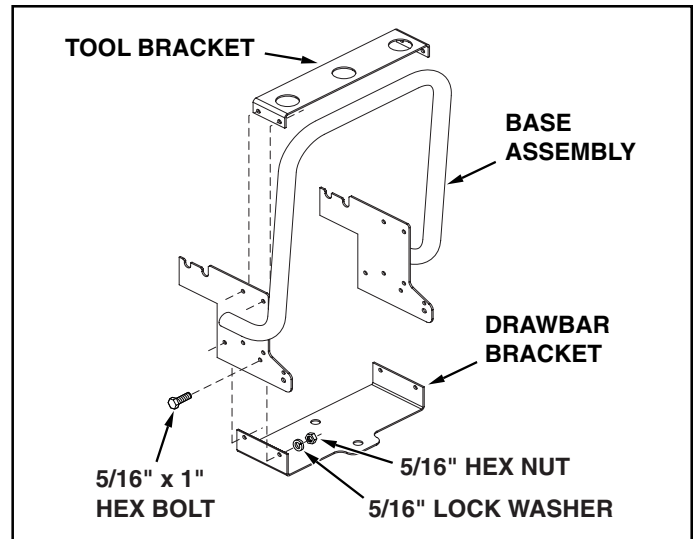


FIGURE 3

ATTACHING BASE TO TRACTOR

FAST ATTACH TRACTORS

9. Hook the base assembly under the shoulder bolts on the sides the tractor frame using the **front** notches in the base assembly. Align the hole in the bottom of the base assembly with the hole in the tractor drawbar. Insert the 5/8" x 1-3/4" hex bolt and secure it with the 5/8" hex nut. See figure 4.

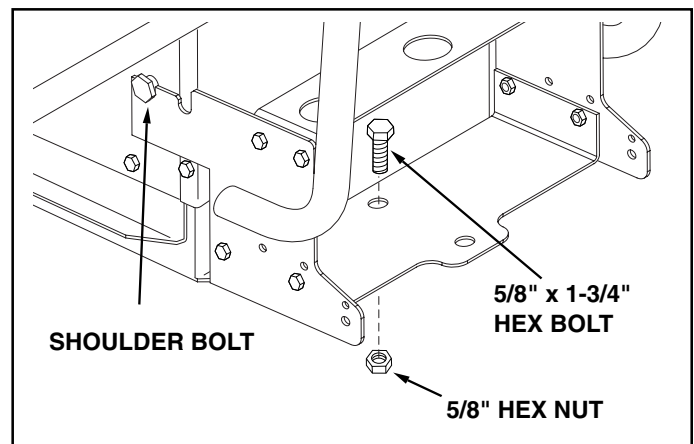


FIGURE 4

STANDARD FRAME TRACTORS

10. Hook the base assembly under the shoulder bolts in the adapter brackets using the second notch in the base assembly. Align the hole in the bottom of the base assembly with the hole in the tractor drawbar. Insert the 5/8" x 1-3/4" hex bolt and secure it with the 5/8" hex nut. See figure 5.

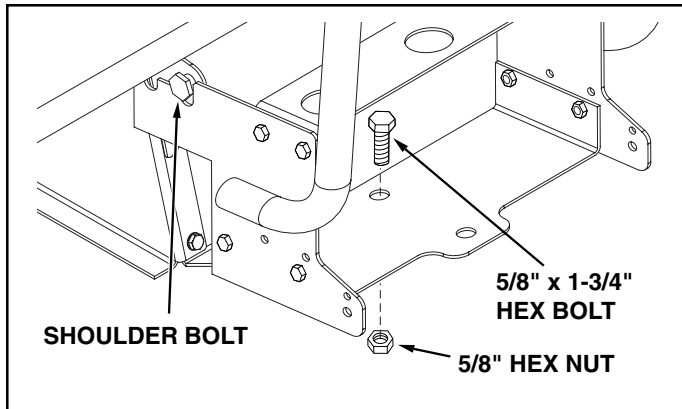


FIGURE 5

ASSEMBLING THE FRAME

11. Assemble the upright tubes to the base assembly using two 5/16-18 x 2" carriage bolts (from outside) and two 5/16" flat washers and plastic knobs (from inside). See figure 6.

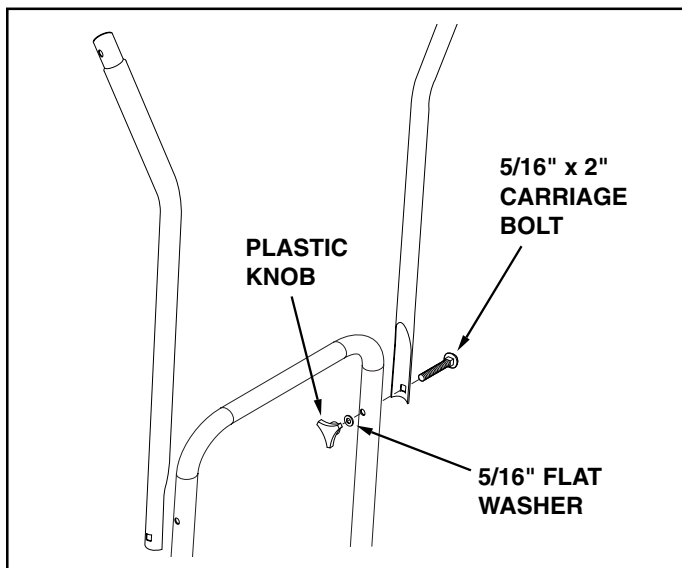


FIGURE 6

12. Assemble the top tubes to the upright tubes using two 1/4" x 1-1/2" hex bolts (from outside) and two 1/4" hex lock nuts (inside). **Do not tighten yet.** See figure 7.

13. Fit the front U-tube onto the top tubes. Fasten the tubes together using two 1/4" x 1-1/2" hex bolts (on outside) and two 1/4" hex lock nuts (on inside).

Tighten all loose bolts. See figure 7.

14. Fit the three support rods into the holes in the top tubes, with the rods arching upward. **Do not** over bend the rods when installing. See figure 7.

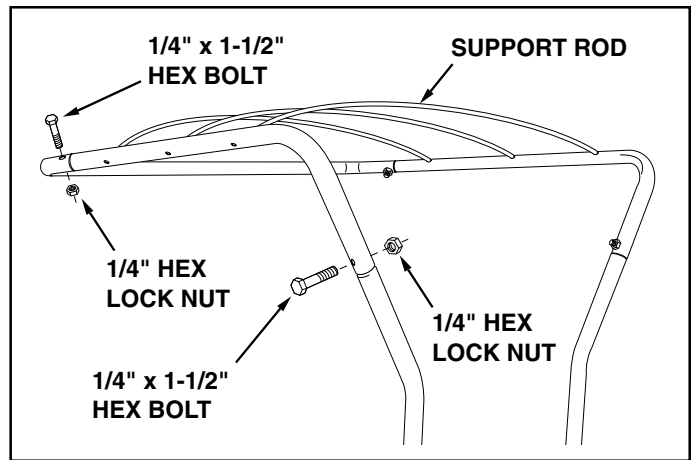


FIGURE 7

15. Install a footrest clamp with preassembled bolt onto the front edge of each footrest, with the bolt underneath the footrest. See figure 8.

16. Raise the tractor's hood. Place the snow cab canopy onto the tubing frame, draping the front flap down in front of the tractor's dash panel. Lower the hood, trapping the front flap under the hood. Secure the sides of the canopy by fastening the elastic hooks to the bottom edge of the footrest and fender. Levers or handles on snowthrowers and snow blades should be located outside of the cab. See figure 8.

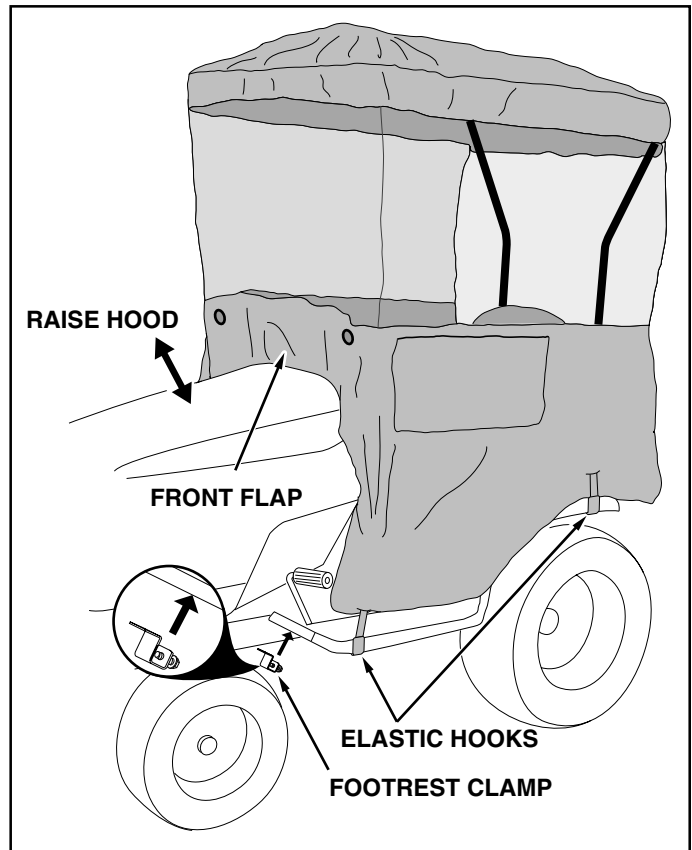


FIGURE 8

17. Assemble two spiral hooks into holes on top of u-tube at front of tubing frame. See figure 9.
18. Insert ends of rope down through spiral hooks attached to u-tube and then insert ends through two grommets in front of canopy. See figure 9.

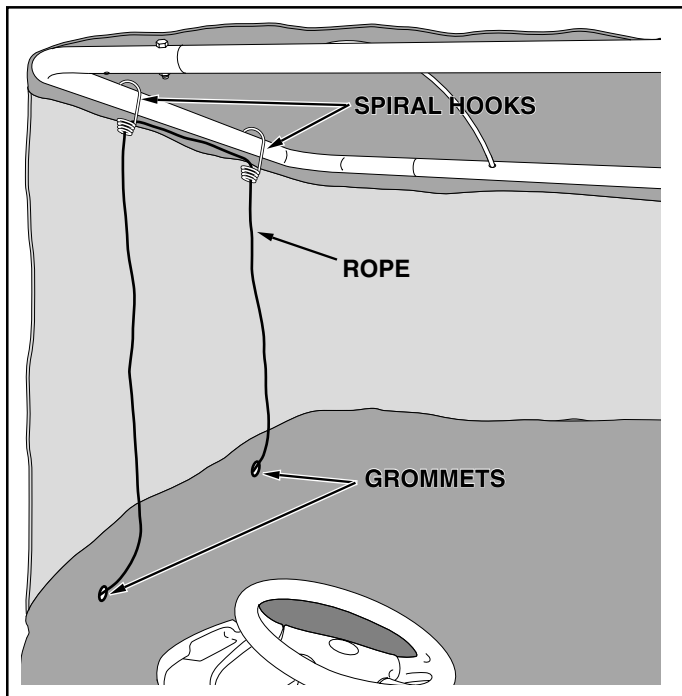


FIGURE 9

19. Insert one end of rope through a third spiral hook and tie a knot in end of rope. See figure 10.
20. Assemble spiral hook with rope attached through hole in footrest clamp. See figure 10.
21. Insert other end of rope through remaining spiral hook. Tie a knot in end of rope so that when hooked to other footrest clamp the rope is tight and canopy frame is stable. See figure 10.

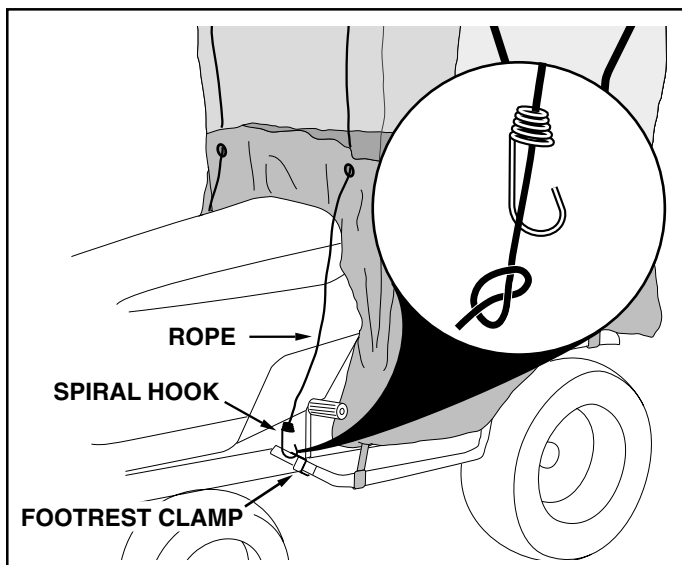


FIGURE 10

OPERATING THE SNOW CAB

Read this owner's manual and safety rules before operating your tractor with the Snow Cab.



CAUTION: Watch out for low tree limbs and other overhead objects which may interfere with the snow cab.



CAUTION: This cab provides foul weather protection only. It does not provide protection against exhaust fumes, collision, rollover or other accidents.



CAUTION: Never transport the tractor in an open truck or open trailer while the snow cab is attached.

1. Check the area of operation thoroughly before using the tractor with the snow cab. The added height of the snow cab and a reduced field of vision require extra caution during operation.
2. Enter the snow cab on the left side at the rear. Unfasten the elastic hook at the bottom and the velcro fastener in the top in the rear corner.
3. Operate outside controls on a snowthrower or snow blade through the access flaps in the sides of the canopy.
4. Remove the upper snow cab frame and canopy before you transport the tractor in an open truck or open trailer.

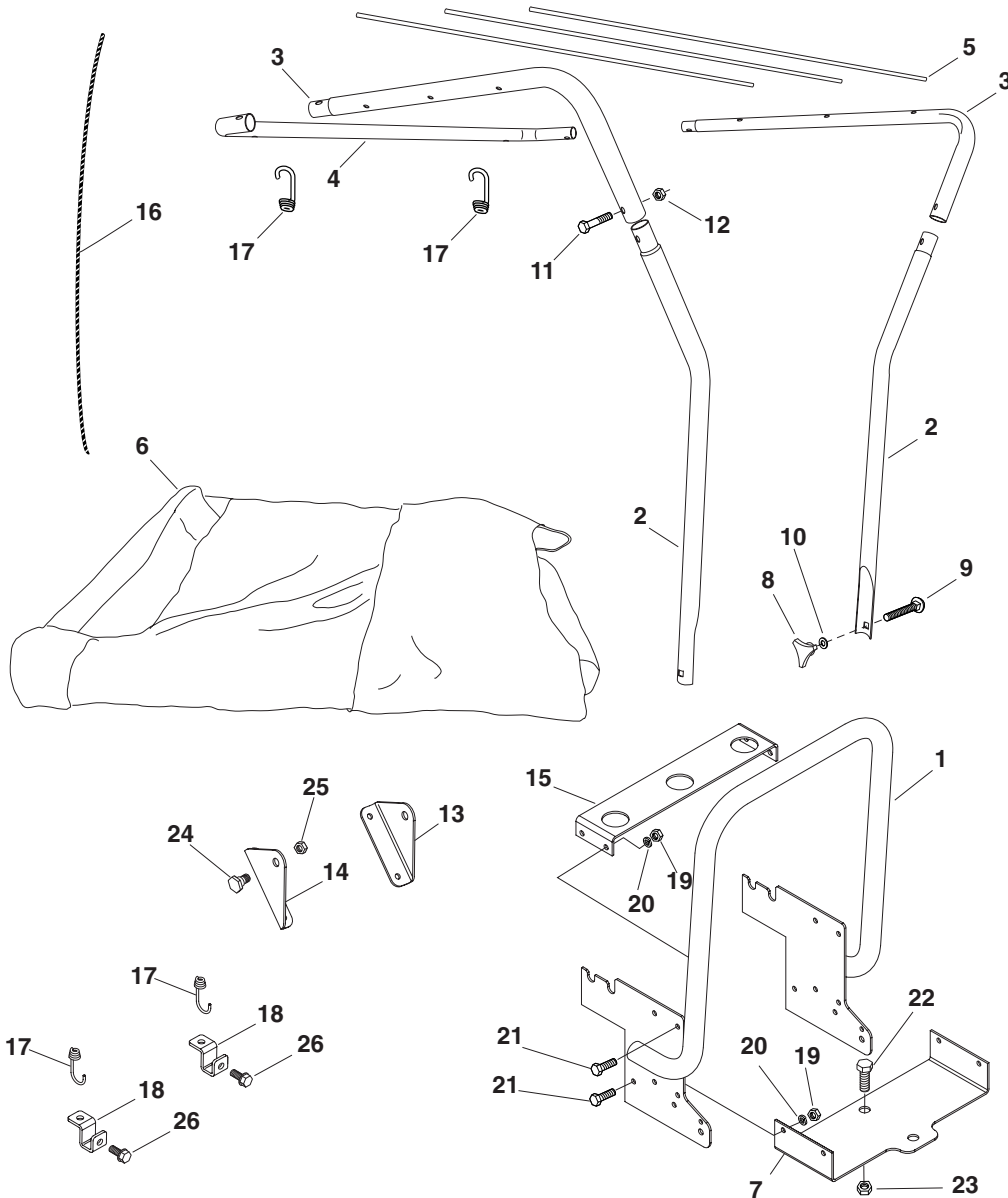
MAINTENANCE

1. Before each use make a thorough visual check of the snow cab for any bolts and nuts which may have loosened. Retighten any loose bolts and nuts.
2. The vinyl portion of the canopy can be washed using water only, or a mild liquid soap and water.
3. The plastic windows should only be washed using running water, or a mild liquid soap and water. Wash the windows with your bare hands only. A cloth, sponge or brush will scratch the clear plastic.

IMPORTANT: Never clean the windows when the plastic is dry. The clear plastic will scratch.

4. Clean the vinyl canopy thoroughly and allow to dry before storing. Refer to the Cleaning section.
5. Store the snow cab in a clean, dry area away from direct sun light.

REPAIR PARTS FOR MODEL 190-751-OEM TRACTOR SNOW CAB



REF. NO.	PART NO.	QTY.	DESCRIPTION	REF. NO.	PART NO.	QTY.	DESCRIPTION
1	64717	1	Base Assembly	15	25140	1	Tool Bracket
2	25014	2	Upright Tube	16	49017	1	Rope
3	25013	2	Top Tube	17	49016	4	Spiral Hook
4	25012	1	U-Tube	18	64802	2	Footrest Clamp
5	25015	3	Support Rod	19	43083	8	Hex, Nut 5/16-18
6	48895	1	Vinyl Canopy	20	43086	8	Lock Washer, 5/16"
7	25141	1	Drawbar Bracket	21	43063	8	Hex Bolt, 5/16-18 x 1"
8	43720	2	Plastic Knob	22	47951	1	Hex Bolt, 5/8-11 x 1-3/4"
9	44977	2	Carriage Bolt, 5/16-18 x 2"	23	712-0261	1	Hex Nut, 5/8-11 Nylock
10	43081	2	Flat Washer, 5/16"	24	738-0816	2	Shoulder Bolt
11	43648	4	Hex Bolt, 1/4-20 x 1-1/2"	25	48115	2	Hex Nut, 1/2-13 Jam Nylock
12	43013	4	Hex Lock Nut, 1/4-20	26	46703	2	Hex Bolt, 5/16-18 x 3/4" Self Thd.
13	25190	1	Adapter Bracket, RH		48898	1	Owner's Manual
14	25189	1	Adapter Bracket, LH				

If you are having difficulty assembling this product or if you have any question regarding the controls, operation or maintenance of this unit, please call the Customer Support Department. You can reach them by calling:

1-800-800-7310

Free Manuals Download Website

<http://myh66.com>

<http://usermanuals.us>

<http://www.somanuals.com>

<http://www.4manuals.cc>

<http://www.manual-lib.com>

<http://www.404manual.com>

<http://www.luxmanual.com>

<http://aubethermostatmanual.com>

Golf course search by state

<http://golfingnear.com>

Email search by domain

<http://emailbydomain.com>

Auto manuals search

<http://auto.somanuals.com>

TV manuals search

<http://tv.somanuals.com>