

MYARD-MAN™

owner's manual

- ASSEMBLY
- OPERATION
- MAINTENANCE
- PARTS LIST

Model No.
14995-0

**18 H.P.
TWIN CYLINDER
HYDROSTATIC
TRACTOR**



Important:

**Read Safety Rules and
Instructions Carefully**

INDEX

Safe Operation Practices.....	3	Parts List for Main Body.....	31
Know Your Tractor.....	4	Illustrated Parts for Steering.....	32
Assembly.....	5	Parts List for Steering.....	33
Battery Information.....	5	Illustrated Parts for P.T.O. System.....	34
Operation.....	10	Parts List for P.T.O. System.....	35
Lubrication Chart.....	14	Illustrated Parts for Control Linkage.....	36
Maintenance.....	15	Parts List for Control Linkage.....	37
Adjustments.....	19	Illustrated Parts for Frame.....	38
Trouble Shooting Charts.....	22-24	Parts List for Frame.....	39
Electrical Diagram.....	25	Illustrated Parts for Hydraulic System.....	40
Illustrated Parts for Transaxle.....	26	Parts List for Hydraulic System.....	41
Parts List for Transaxle.....	27	Illustrated Parts for Three Point Hitch.....	42
Illustrated Parts for Hydrostatic Pump.....	28	Parts List for Three Point Hitch.....	43
Parts List for Hydrostatic Pump.....	29	Parts Information.....	Back Cover
Illustrated Parts for Main Body.....	30		

LIMITED WARRANTY

For one year from the date of original retail purchase, YARD-MAN COMPANY will either repair or replace, at its option, free of charge, F.O.B. factory or authorized service firm, any part or parts found to be defective in material or workmanship. Transportation charges under this warranty must be paid by the purchaser unless return is requested by YARD-MAN COMPANY.

This warranty will not apply to any part which has become inoperative due to misuse, excessive use, accident, neglect, improper maintenance, alterations, or unless the unit has been operated and maintained in accordance with the instructions furnished. This warranty does not apply to the engine, motor, battery, battery charger or component parts thereof. Please refer to the applicable manufacturer's warranty on these items.

This warranty will not apply where the unit has been used commercially.

Warranty service is available through your local authorized service dealer or distributor. If you do not know the dealer or distributor in your area, please write to the Customer Service Department of YARD-MAN.

The return of a complete unit will not be accepted by the factory unless prior written permission has been extended by YARD-MAN.

This warranty gives you specific legal rights. You may also have other rights which vary from state to state.

WARNING TO PURCHASERS OF INTERNAL COMBUSTION ENGINE EQUIPPED MACHINERY OR DEVICES IN THE STATE OF CALIFORNIA

The equipment which you have just purchased does not have a spark arrester. If this equipment is used on any forest covered land, brush covered land, or grass covered unimproved land in the State of California, before using on such land, the California law requires that a spark arrester be provided. In addition, spark arrester is required by law to be in effective working order. The spark arrester must be attached to the exhaust system and comply with Section 4442 of the California Public Resources Code.

IMPORTANT

It is suggested that this manual be read in its entirety before attempting to assemble or operate. Keep this manual in a safe place for future reference and for ordering replacement parts.

This unit is shipped WITHOUT GASOLINE or OIL. After assembly, see operating section of this manual for proper fuel and amount.

This unit is a precision piece of power equipment, not a plaything. Therefore exercise extreme caution at all times.

SAFE OPERATION PRACTICES FOR RIDING VEHICLES

1. Know the controls and how to stop quickly—**READ THE OWNER'S MANUAL.**
2. Do not allow children to operate vehicle. Do not allow adults to operate it without proper instruction. Only persons well acquainted with these rules of safe operation should be allowed to use your mower.
3. Do not carry passengers
4. Keep the area of operation clear of all persons, particularly small children and pets. Stop engine when they are in the vicinity of your mower. Although the area of operation should be completely cleared of foreign objects, a small object may have been overlooked and could be accidentally thrown by the mower in any direction.
5. Clear work area of objects which might be picked up and thrown by the mower in any direction.
6. Disengage all attachment clutches and shift into neutral before attempting to start engine.
7. Disengage power to attachment(s) and stop engine before leaving operating position.
8. Disengage power to attachment(s) and stop engine before making any repairs or adjustments. Disconnect the spark plug wire and keep the wire away from the plug to prevent accidental starting.
9. Before attempting to unclog the mower or discharge chute, stop the engine and be sure the blade(s) have stopped completely. Disconnect the spark plug wire and keep the wire away from the plug to prevent accidental starting.
10. Disengage power to attachment(s) when transporting or not in use.
11. Take all possible precautions when leaving vehicle unattended such as disengaging power-take-off, lowering attachments, shifting into neutral, setting parking brake, stopping engine and removing key.
12. Do not stop or start suddenly when going uphill or downhill. Mow up and down face of steep slopes; never across the face.
13. Reduce speed on slopes and in sharp turns to prevent tipping or loss of control. Exercise extreme caution when changing direction on slopes.
14. Stay alert for holes in terrain and other hidden hazards.
15. Use care when pulling loads or using heavy equipment.
 - A. Use only approved drawbar hitch points.
 - B. Limit loads to those you can safely control.
 - C. Do not turn sharply. Use care when backing.
- D. Use counterweight(s) or wheel weights when suggested in owner's manual.
16. Watch out for traffic when crossing or near roadways.
17. When using any attachments, never direct discharge of material toward bystanders nor allow anyone near vehicle while in operation.
18. Handle gasoline with care. It is highly flammable.
 - A. Use approved gasoline container.
 - B. Never remove cap or add gasoline to a running or hot engine or fill fuel tank indoors. Wipe up spilled gasoline.
 - C. Open doors if engine is run in garage. Exhaust fumes are dangerous. Do not run engine indoors.
19. Keep the vehicle and attachments in good operating condition, and keep safety devices in place. Use guards as instructed in owner's manual.
20. Keep all nuts, bolts, and screws tight to be sure the equipment is in safe working condition.
21. Never store the equipment with gasoline in the tank inside a building where fumes may reach an open flame or spark. Allow engine to cool before storing in any enclosure.
22. To reduce fire hazard, keep engine free of grass, leaves or excessive grease.
23. The vehicle and attachments should be stopped and inspected for damage after striking a foreign object. The damage should be repaired before restarting and operating the equipment.
24. Do not change the engine governor settings or overspeed the engine.
25. When using the vehicle with mower, proceed as follows:
 - (1) Mow only in daylight or in good artificial light.
 - (2) Never make a cutting height adjustment while engine is running if operator must dismount to do so.
 - (3) Shut the engine off and wait until the blade comes to a complete stop before removing the grass catcher.
 - (4) Check blade mounting bolts for proper tightness at frequent intervals.
26. Check grass catcher bags frequently for wear or deterioration. For safety protection, replace only with new bag meeting original equipment specifications.
27. Look behind to make sure the area is clear before placing the transmission in reverse and backing up.

GRASS CATCHER Model No. 19015-0 is available as optional equipment.



WARNING

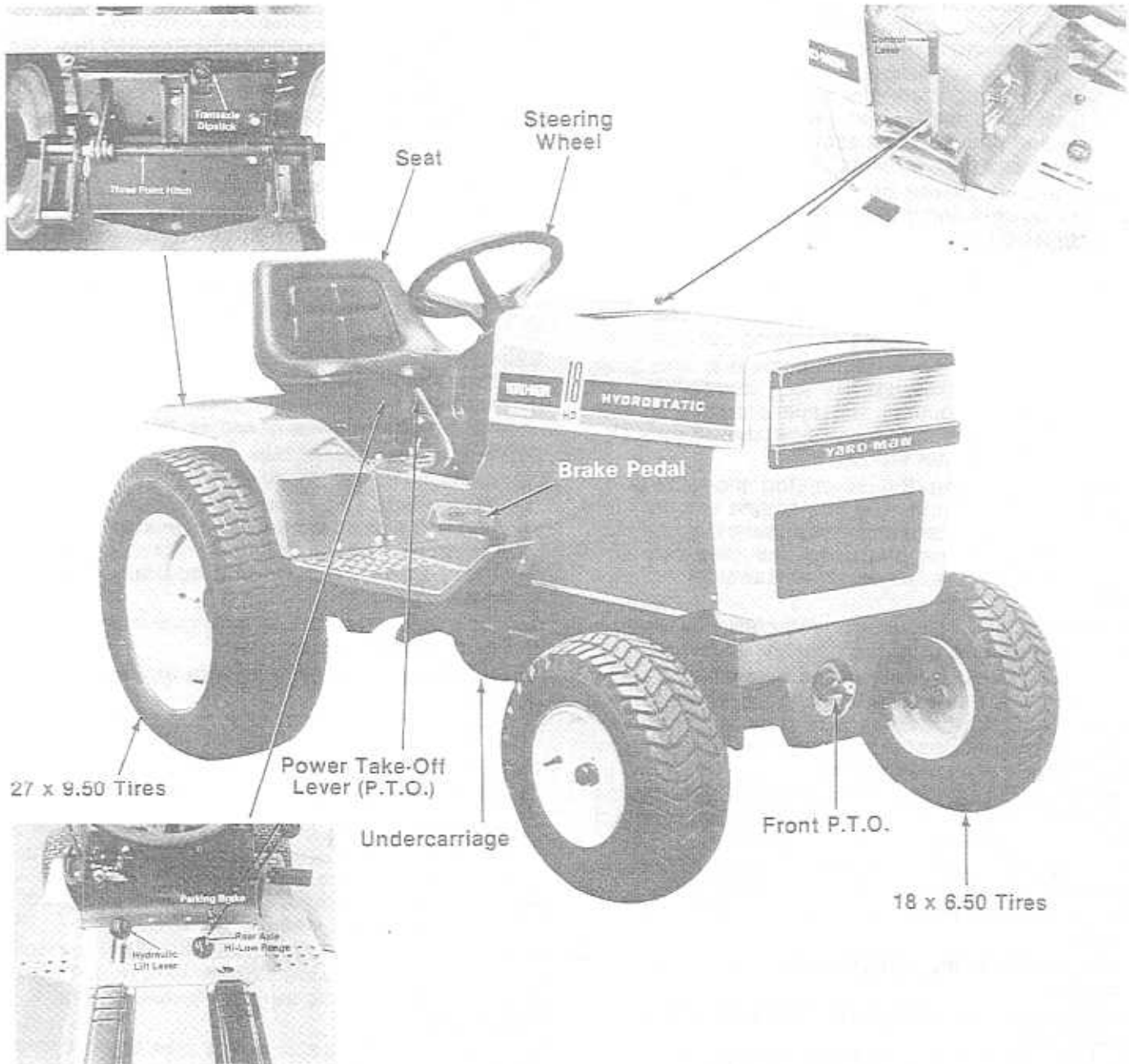
The mower should not be operated without the entire grass catcher or chute deflector in place.

NOTE

Under normal usage bag material is subject to wear, and should be checked periodically. Be sure any replacement bag complies with the mower manufacturer's recommendations.

For replacement bags, use only factory authorized replacement bag No. 764-0121.

KNOW YOUR TRACTOR



ASSEMBLY

The garden tractor is packed and shipped in one container. It is fully assembled except for the three point hitch, battery, seat and steering wheel.

Reference to Left or Right side of machine is from the operator's position in the seat facing forward.

BATTERY INFORMATION



- A. Battery acid must be handled with great care as it will blister the skin and damage clothing. It is advisable to wear goggles, rubber gloves, and a protective apron when working with it.
- B. If for any reason acid should be spattered in the eyes, wash it out immediately with clean cold water. Seek medical aid if discomfort continues.
- C. If acid gets on clothes, dilute it with clean water first, then neutralize with dilute ammonia water or a water solution of baking soda.
- D. Since battery acid is corrosive to metals, do not pour into any sink or drain. Rinse empty electrolyte containers and mutilate before discarding.



BATTERIES CONTAIN SULFURIC ACID AND MAY CONTAIN EXPLOSIVE GASES (when electrolyte has been added)

- A. Keep sparks, flame, cigarettes away.
- B. Hydrogen gas is generated during charging and discharging.
- C. Ventilate when charging or using in enclosed space.
- D. When using a charger—to avoid sparks, NEVER connect or disconnect charger clips to battery while charger is turned on.
- E. Always shield eyes and protect skin and clothing when working near batteries.

ACTIVATING THE BATTERY



If your battery is activated (electrolyte in the battery) and installed in the unit, go directly to step 9.

1. Place the battery to be filled on a workbench. Never activate a battery in the unit.
2. Remove the fill caps from all cells.
3. Fill each cell carefully using 1.265 specific gravity electrolyte. Fill each cell to the top of the separators. Do not overfill.
4. Let the battery sit for 20 minutes to allow the chemical reaction to take place.
5. Charge the battery at a **MAXIMUM RATE OF 5 AMPS**. until the specific gravity reads 1.265. Use a hydrometer to check the specific gravity.



An excessive rate of charge will damage the battery.

6. Check the level of electrolyte. Adjust level to bottom of split ring if necessary with electrolyte.
7. Replace fill caps.
8. Once the battery has been activated, never add anything except distilled water or a good grade of drinking water.
9. If your battery has been installed in your unit at the factory:
 - A. Use a hydrometer to check the specific gravity. The specific gravity should be 1.265 at 80° F.
 - B. If it is less, remove the fill caps and use a battery charger to bring the specific gravity up to 1.265. **NEVER CHARGE AT MORE THAN 5 AMPS.**
 - C. Replace the fill caps.
 - D. The positive cable has been attached to the positive terminal of the battery at the factory. You only have to attach the negative cable (grounded) to the negative (Neg, N or -) terminal of the battery with a hex head bolt, lock washer and nut.

MAINTENANCE OF BATTERY

1. Check electrolyte level periodically (at least every two weeks). Keep the level to the split rings. Use only distilled water or a good quality drinking water. Never add acid or any other chemicals to the battery after initial activation.
2. The battery should be checked with a hydrometer after every 25 hours of operation. If the specific gravity is less than 1.225, the battery should be recharged. Maximum charge rate 5 AMPS.

3. Coat the terminals and exposed wire with a thin coat of grease or petroleum jelly for longer service and protection against corrosion.
4. The battery should be kept clean. Any deposits of acid should be neutralized with soda and water. Be careful not to get this solution in the cells.
5. Avoid tipping the battery. Even a "sealed" battery will leak electrolyte when tipped.

STORAGE OF THE BATTERY

1. Store the battery in the unit.
2. Keep the exterior of the battery clean, especially the top. A dirty battery will discharge itself.
3. Check the battery with a hydrometer. The battery must be stored with a full charge. A discharged battery will freeze.

Specific Gravity	Freezing Point
1.265	-71° F.
1.250	-62° F.
1.200	-16° F.
1.150	5° F.
1.100	16° F.



CAUTION

All batteries discharge during storage.

4. Recharge battery whenever the specific gravity is less than 1.225, before returning to service or every two months, whichever comes first.

COMMON CAUSES FOR BATTERY FAILURE

1. Overcharging
2. Undercharging
3. Lack of water
4. Loose hold downs and/or corroded connections.
5. Excessive loads
6. Battery electrolyte substitutes
7. Freezing of electrolyte



NOTE

These failures do not constitute warranty.

BATTERY REMOVAL OR INSTALLATION



When removing the battery, follow this order of disassembly to prevent your wrench from shorting against the frame.

1. Remove the Negative cable.
2. Remove the Positive cable.

To install a battery:

1. Attach the Positive cable.
2. Attach the Negative cable.

JUMP STARTING

1. Attach the first jumper cable from the Positive terminal of the good battery to the Positive terminal of the dead battery.
2. Attach the second jumper cable from the Negative terminal of the good battery to the **FRAME OF THE UNIT WITH THE DEAD BATTERY.**



Failure to use this starting procedure could cause sparking, and the gases in either battery could explode.

INSTALLING THE BATTERY



NOTE

The positive battery terminal is marked Pos. (+). The negative battery terminal is marked Neg. (-).

1. Insert one of the hold down rods in the battery box. See figure 1.
2. Place the battery in the battery case with the negative (-) terminal to the front.
3. Place the hold down over the battery and rear hold down rod. Start the wing nut.
4. Attach the front hold down rod through the hold down. Secure with the other wing nut. Tighten both wing nuts finger tight.
5. Attach the positive battery cable (which has two red wires) to the positive battery terminal. See figure 1.
6. Attach the negative battery cable (grounded, two green wires) to the negative battery terminal. See figure 1.

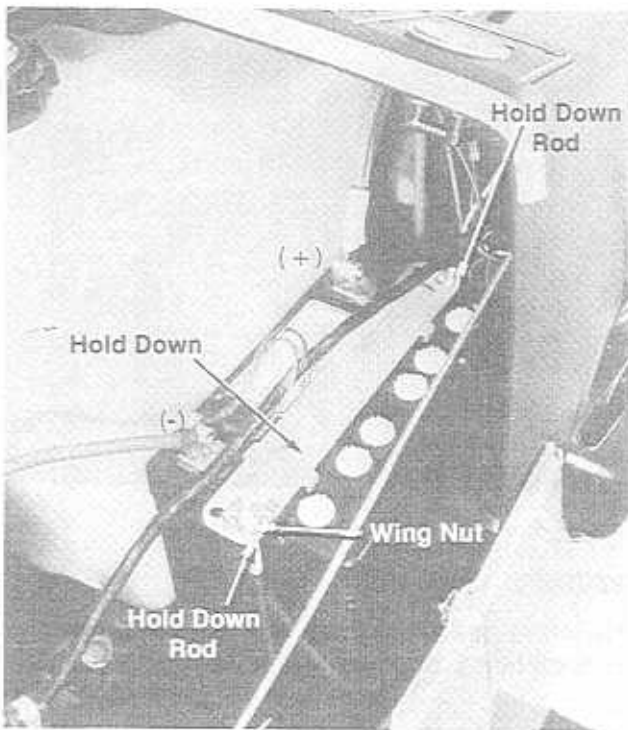


FIGURE 1.

ATTACHING THE STEERING WHEEL

1. Place the wave washer over the steering shaft. See figure 2.

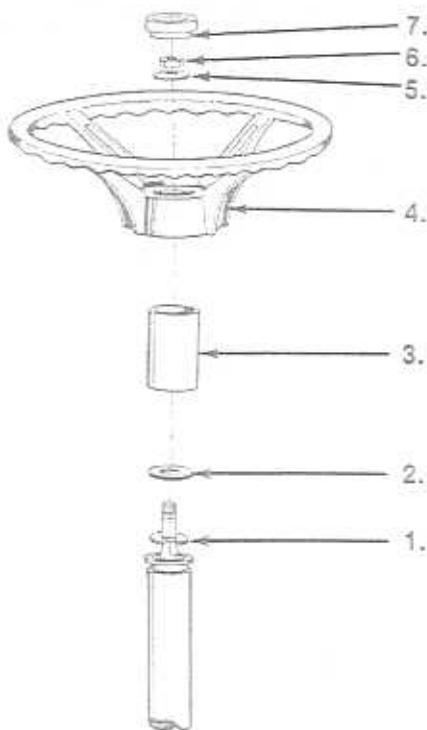


FIGURE 2.

2. Place the slotted flat washer over the steering shaft.

3. Place the steering tube outer over the steering shaft.
4. Place the steering wheel over the steering shaft while lining up the flats on the steering shaft.
5. Place the Belleville washer (crown side up) over the steering shaft.
6. Tighten the hex center lock nut.
7. Press or tap the steering wheel cap in place.

ADJUSTMENT OF UNDERCARRIAGE

When using any of the rear mounted attachments such as the rotary tiller or moldboard plow, the undercarriage must be locked in the raised position. See the adjustment section of this manual for instructions.

ASSEMBLING THE THREE POINT HITCH

The three point hitch is needed for the rotary tiller, disc, cultivator and moldboard plow. If you are using the mowing deck, snow thrower or snow blade, it is not necessary to install the three point hitch.

1. Raise the lift shaft assembly until the hole in it lines up with the slot in the push bar assembly. See figure 3.

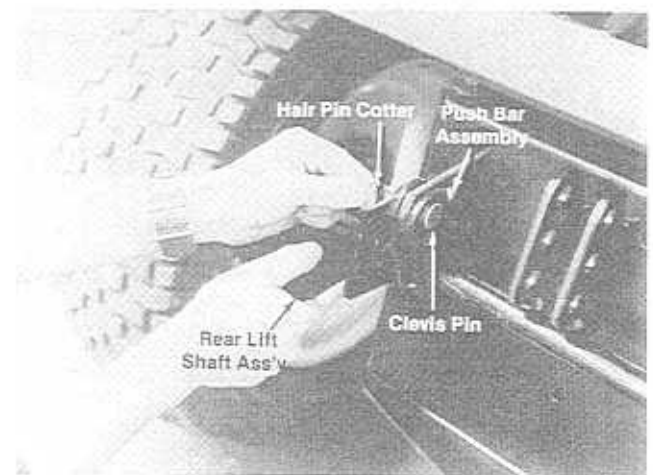


FIGURE 3.

2. Secure with clevis pin and hairpin cotter provided in the screw pack.
3. Assemble the two draft bars to the link clevis pins in the frame of the tractor with two hairpin cotters.



Refer to figure 4 to determine right and left hand draft bars.

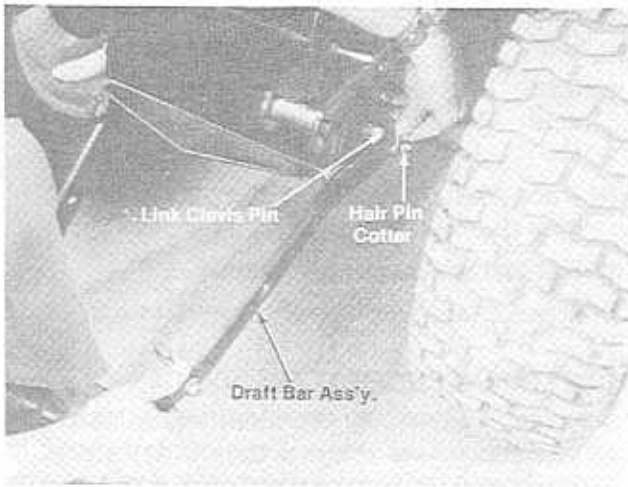


FIGURE 4.

4. Thread the ferrule onto the clevis screw until approximately a half inch of thread is showing above the ferrule. See figure 5.

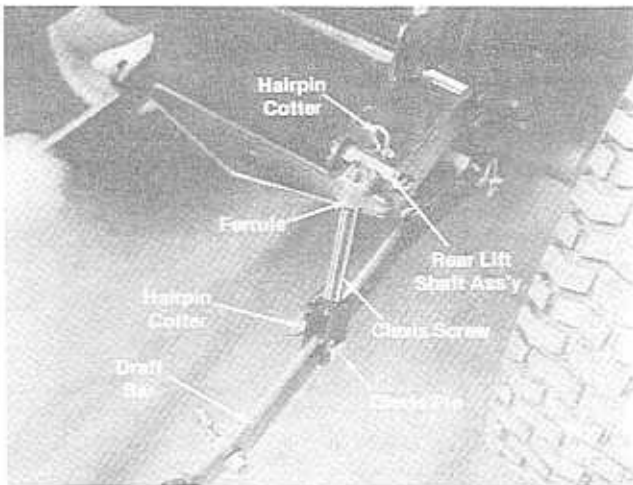


FIGURE 5.

5. Attach the ferrules to the rear lift shaft assembly and secure with two hairpin cotters.
6. Attach the lower end of the clevis screw to the draft bars with the two clevis pins and hairpin cotters.
7. Screw the two halves of the center turnbuckle together. Attach either end to any hole in the hitch bracket mounted in the center of the rear frame of the tractor with a clevis pin and hairpin cotter. See figure 6.

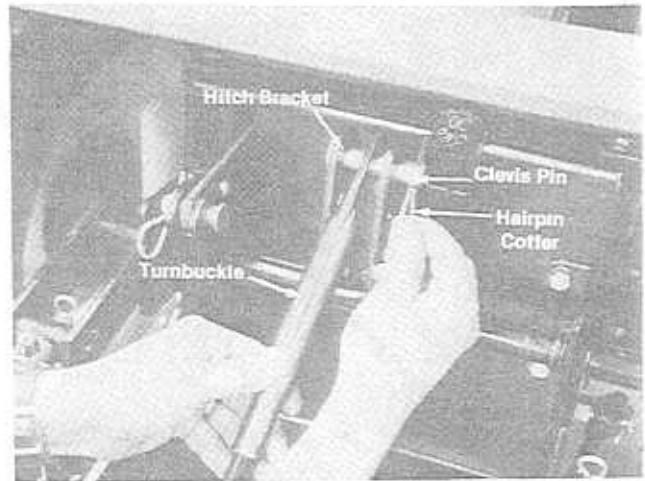


FIGURE 6.

8. Screw one hex nut all the way on to each of the hook bolts. See figure 7.
9. Place a lock washer next to the hex nut and insert the hook bolt through the inside of the draft bars. Secure with a second nut. Do not tighten.

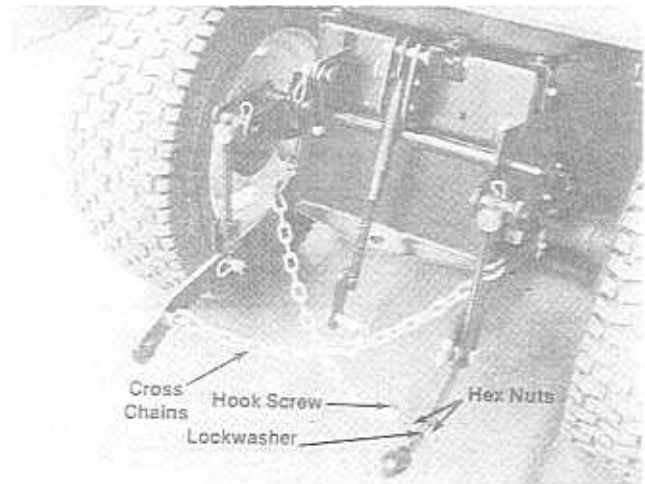


FIGURE 7.

10. Fasten the chains to the hooks welded on the draft bars. Cross the chains over and attach to the opposite hook bolts.



Pull the chains to make them as tight as possible.

11. Tighten the outside nuts on the hook bolts until there is approximately one inch of play in the center of the chains.

SEAT ASSEMBLY

Install the tractor seat in one of the four positions. To change positions, tip the seat all the way forward and lift it out of the slots on each side. See figure 8.

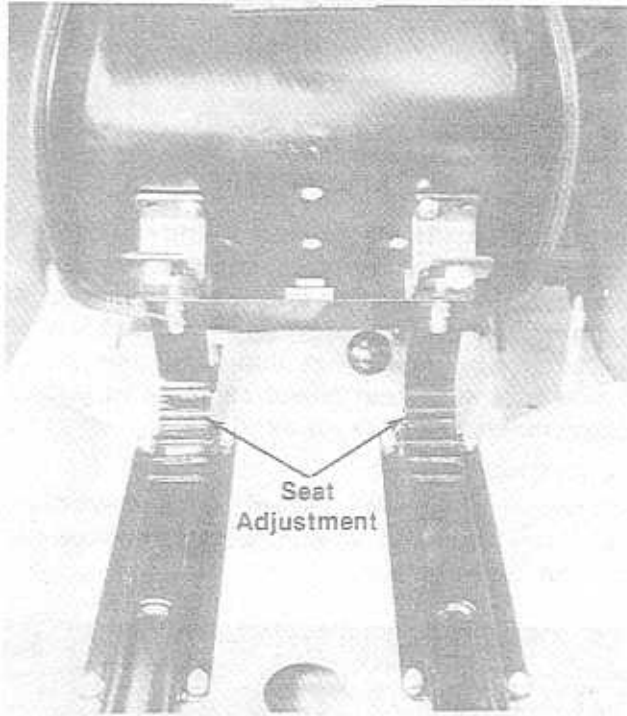


FIGURE 8.

OIL AND GASOLINE (See figure 9)

The crankcase capacity of the twin cylinder engine is 3 pints.



CAUTION

DO NOT OVERFILL. CHECK OIL LEVEL REGULARLY. BE SURE OIL LEVEL IS MAINTAINED. CHANGE OIL AFTER FIRST 5 HOURS OF OPERATION. Thereafter change oil after every 25 hours of operation.

Use any high quality detergent oil having a classification which includes "MS," "SC," "SD," or "SE." The use of detergent oil is recommended.

SUMMER (Above 40° F.) Use SAE 30. If not available use SAE 10W-30 or SAE 10W-40.

WINTER (Under 40° F.) Use SAE 5W-20 or SAE 5W-30. If not available use SAE 20W or SAE 10W-30.

Use regular gasoline, however, the use of lead free or low lead gasolines will result in reduced combustion deposits and normally will improve engine life.



NOTE

Open the fuel tank shut-off valve that is located on the bottom of the fuel tank.



FIGURE 9.

HYDROSTATIC TRANSMISSION

The oil level for the hydrostatic transmission, transaxle and hydraulic lift system can be checked at one location. See figure 10.

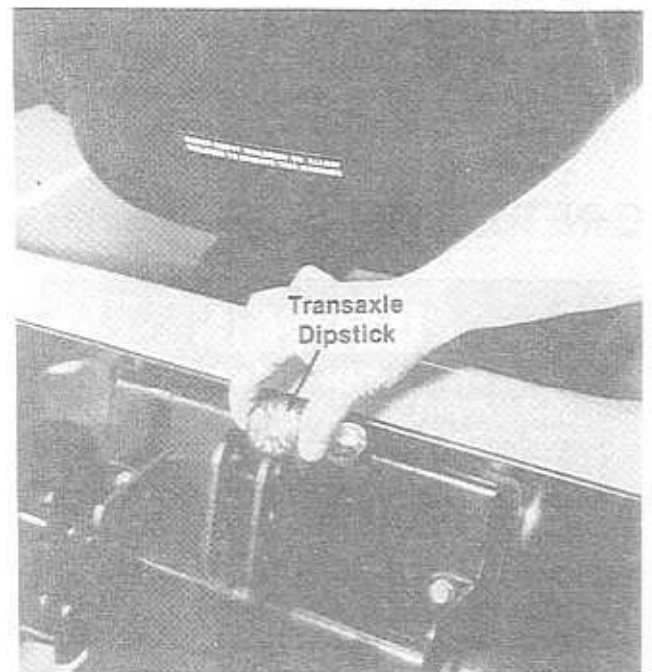


FIGURE 10.

Before checking the oil level clean the area around the dipstick hole to prevent the entry of dirt. Unscrew the dipstick and remove. The oil level should be at the "FULL" mark.



Check oil level when the hydrostatic oil is cold.

Check the oil level every 8 hours of operation. Change oil and filter after every 200 hours of operation or once a year.

The hydrostatic transmission oil is SAE 20 motor oil with a SE rating. Use either detergent or non-detergent oil.

The filter is a Fram PH-16.

TIRE PRESSURE

FOR SHIPPING PURPOSES, THE TIRES ON YOUR UNIT MAY BE OVER-INFLATED. TIRE PRESSURE SHOULD BE REDUCED BEFORE UNIT IS PUT INTO OPERATION. PRESSURE SHOULD BE APPROXIMATELY 15 P.S.I. EQUAL TIRE PRESSURE SHOULD BE MAINTAINED ON ALL TIRES. MAXIMUM TIRE PRESSURE IS 30 P.S.I.



Installation of tire to rim:

1. Lubricate tire beads and rim flanges.
2. Do not exceed 30 P.S.I. when seating beads.
3. Adjust to recommended pressure after beads are sealed.

OPERATION

CAUTION

1. KEEP ALL SHIELDS & GUARDS IN PLACE
2. BEFORE LEAVING OPERATOR'S POSITION:
SHIFT CONTROLS INTO NEUTRAL
SET PARKING BRAKE
DISENGAGE ATTACHMENT DRIVE
SHUT ENGINE OFF
REMOVE IGNITION KEY
3. WAIT FOR ALL MOVEMENT TO STOP BEFORE
SERVICING MACHINE
4. KEEP PEOPLE & PETS A SAFE DISTANCE
AWAY FROM MACHINE

CAUTION
DO NOT OPERATE
MOWER UNLESS
GUARD OR ENTIRE
GRASS CATCHER IS
IN ITS PROPER PLACE.

Throttle Control

The throttle control is located on the right side of the dashboard and is used to regulate the engine speed. See figure 11. The engine should be operated from $\frac{3}{4}$ to full throttle "FAST" when operating any equipment that uses the tractor engine as a source of power such as the cutting deck, snow thrower or rotary tiller.

Choke Control

Pull the choke knob all the way out. Set throttle in the "FAST" position. A warm engine requires less choking. See figure 11.

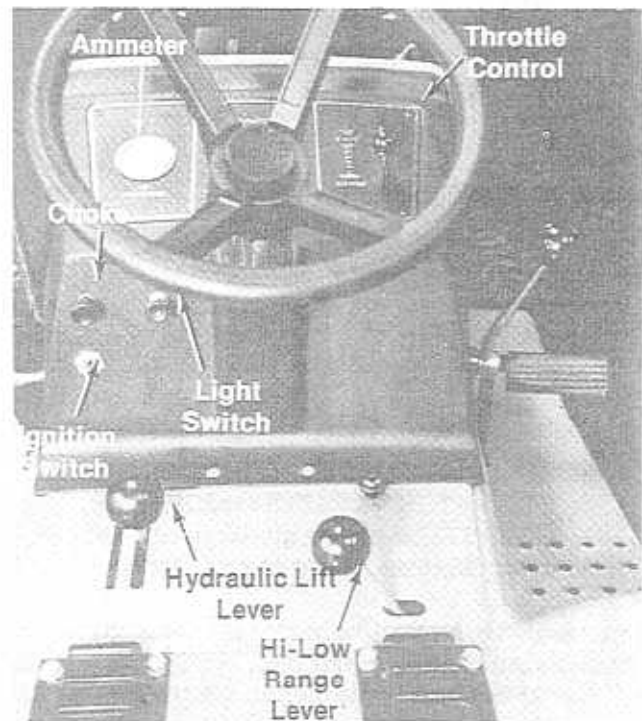


FIGURE 11.
Ignition Switch

The ignition switch is located on the left side of the dashboard. Turn the key to the "START" position to start the engine. When the engine is running leave the key in the "ON" position. To stop the engine turn the key to the "OFF" position. See figure 11.



WARNING

Remove the key from the tractor when the tractor is not in use to prevent accidental starting.

Light Switch

The head lamps are operated by pulling out the light switch located on the dashboard. The head lamps will only operate when the engine is running. The voltage rises from 8V at 2400 RPM to 12V at 3600 RPM, so the brightness of the lamps changes with the engine speed. See figure 11.

Ammeter

The ammeter registers the rate of battery charge or discharge. The ammeter should register on the plus (+) side when the engine is running fast. The engine alternator is unregulated and the output rises from 2 amperes at 2400 RPM to 3 amperes at 3600 RPM, and uses less than .2 of a horsepower. See figure 11.

High/Low Axle Range

Your tractor is equipped with a two speed rear axle for greater versatility. See figure 11. The LOW range is used when operating the rotary tiller, moldboard plow and should also be used when extra power is required.

HIGH range operation is for normal loads, grass cutting and normal use.

LOW Range (0-4 mph)

HIGH Range (0-8 mph)

The Axle Range Lever must be in either the HIGH or LOW range position. The tractor will not move if it is in the center position.



When pushing the tractor by hand with the engine shut off, place the Axle Range Lever between the HIGH and LOW position. The hydrostatic pump will not rotate and the tractor will be easier to push.

Hydraulic Lift Lever

The hydraulic lift lever is used to raise or lower all of the tractor attachments. Move the lever forward to raise the attachment. Move the lever backwards to lower the attachment. See figure 11.

Located next to the hydraulic lift lever is the lift indicator that registers the approximate position of the attachments.

Power Take Off Operation (PTO)

There are two PTO locations. The front PTO operates the snow blower. The rear PTO operates the rotary mower and rotary tiller.

The PTO is operated by the PTO lever, located on the right side of the tractor. See figure 12. When the PTO lever is forward, the PTO is engaged.



The PTO lever must be in the "OFF" position to start the engine.

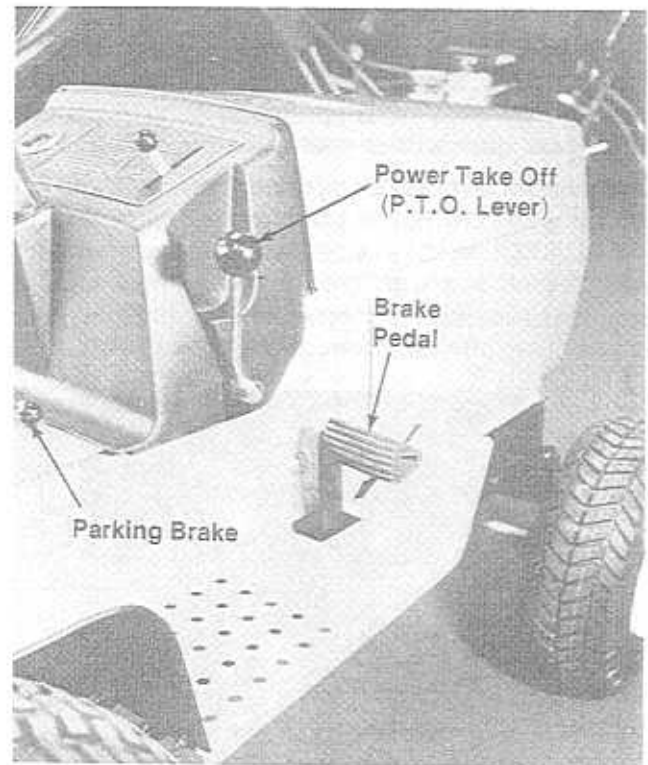


FIGURE 12.

Brake Pedal

The brake pedal is located on the right side of the tractor. Depressing the brake pedal operates the brake. It is used for emergency stopping only. When you depress the brake pedal, the control lever will return close to the "NEUTRAL" position. The control lever is used for normal stopping. See figure 12.



The brake pedal must be depressed to start the engine. Setting the parking brake will NOT activate the safety switch.

Parking Brake

To set the parking brake, depress the brake pedal and lift up the parking knob. Slowly release the brake pedal until it holds the parking brake knob in the up position. To release the parking brake, depress the brake pedal. See figure 12.

Control Lever (Hydrostatic)

The control lever is used to regulate the ground speed of the tractor. Moving the control lever to its extreme position makes the tractor travel faster. Moving the control lever forward (F) moves the tractor forward. Moving the control lever backwards (R) reverses the tractor. The control lever is used to regulate the ground speed of the tractor. See figure 13.

To increase rear wheel torque (pulling power), move the control lever towards the "NEUTRAL" position. The tractor responds similar to shifting to a lower gear with a gear type transmission.

The control lever is used for normal slowing down and stopping by moving the control lever towards "NEUTRAL" (N). It is especially useful when rotary tilling hard or rough ground. Additional braking may be obtained by moving the control lever gradually in the opposite direction of travel.

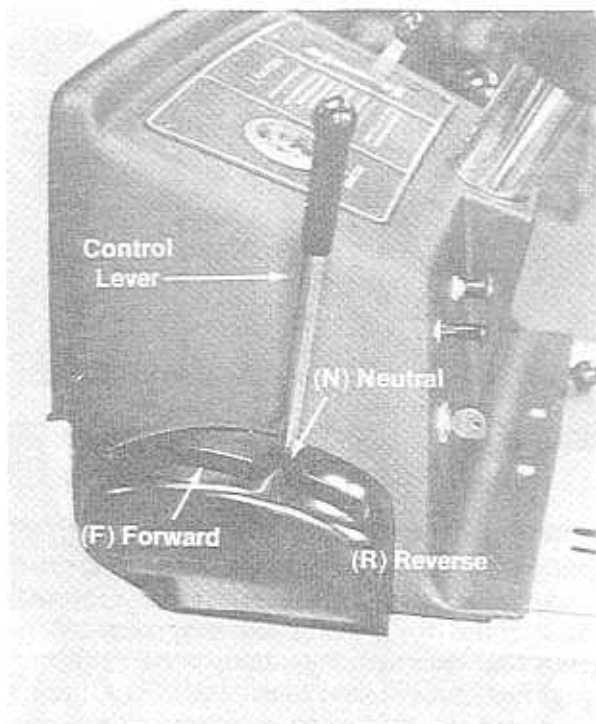


FIGURE 13.

Operating the Tractor (See figure 14)

1. Place the PTO lever in the "OFF" position.
2. Set the High/Low Range Lever in either the high or low range.

3. Depress the brake pedal and hold it down.
4. Pull out the choke.



A warm engine requires less chocking.

5. Set the throttle control in the "FAST" position.
6. Turn the ignition key to the right to the "START" position until the engine is running.
7. As the engine warms up, push in the choke slowly.
8. Release the brake pedal and move the hydrostatic control lever into either the forward or reverse position.
9. The brake pedal is used for emergency stopping only. Normal stopping is done by using the control lever. When the brake pedal is depressed, the control lever will return close to the "NEUTRAL" position so the tractor brake will stop the tractor. However, the tractor may creep either forward or backward when the brake pedal is released.

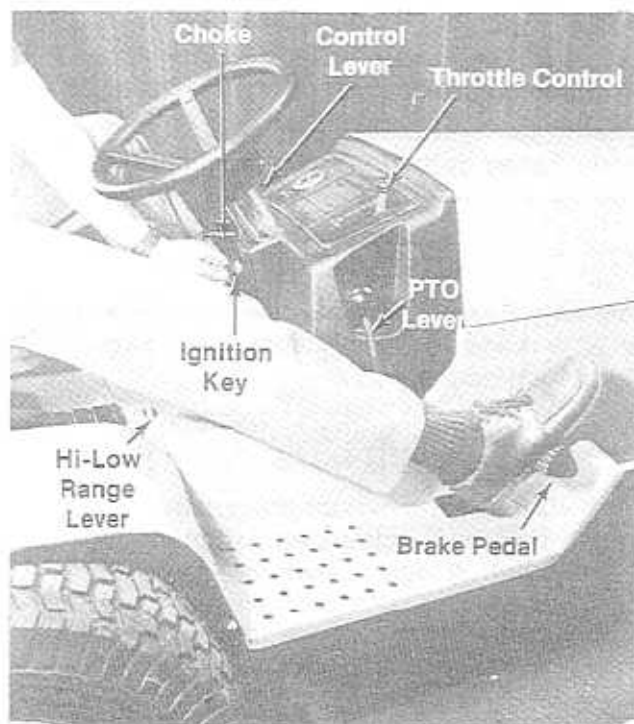


FIGURE 14.

ENGINE LUBRICATION

(See figures 15 and 16.)

The crankcase capacity of the twin cylinder engine is 3 pints.



CAUTION

DO NOT OVERFILL. CHECK OIL LEVEL REGULARLY. BE SURE OIL LEVEL IS MAINTAINED. CHANGE OIL AFTER FIRST 5 HOURS OF OPERATION. Thereafter change oil after every 25 hours of operation.

Use any high quality detergent oil having a classification which includes "MS," "SC," "SD" or "SE." The use of detergent oil is recommended.

SUMMER (Above 40° F.) Use SAE 30. If not available use SAE 10W-30 or SAE 10W-40.

WINTER (Under 40° F.) Use SAE 5W-20 or SAE 5W-30. If not available use SAE 20W or SAE 10W-30.

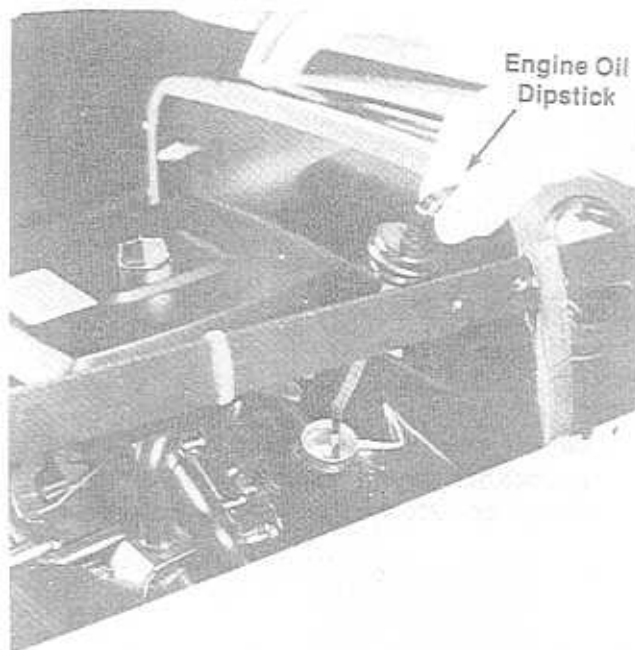


FIGURE 15.

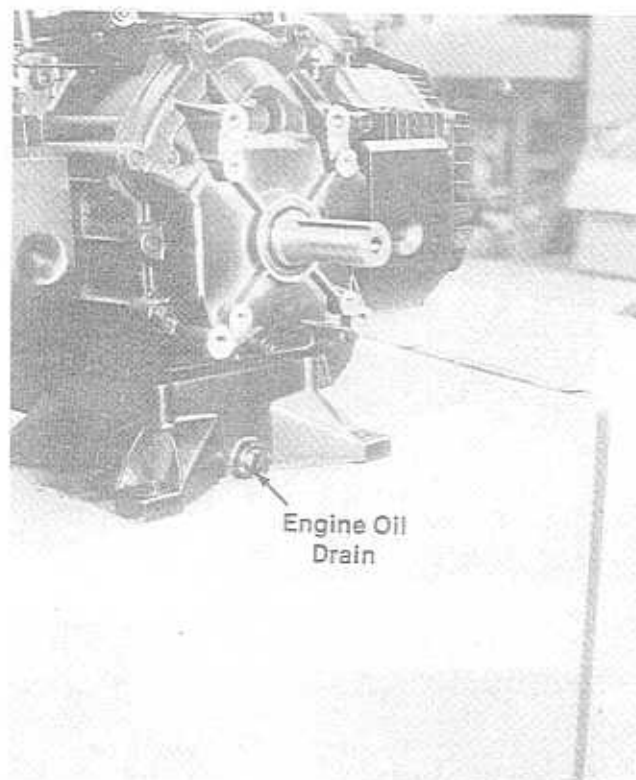


FIGURE 16.

Oil Drain—Change oil after the first 5 hours of operation and every 25 hours thereafter. Remove plug and drain oil while engine is warm.

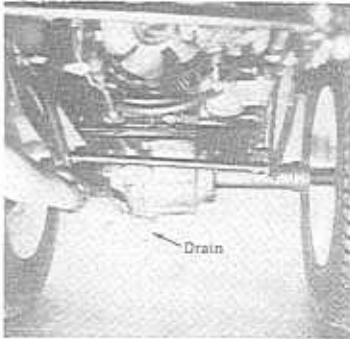


IMPORTANT

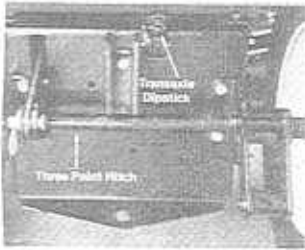
After striking a foreign object, stop the engine. Remove wire from spark plug, thoroughly inspect the mower for any damage, and repair the damage before restarting and operating the mower.

LUBRICATION CHART

Hydrostatic Pump—Check the oil level after every 8 hours of operation. Change oil and filter after every 200 hours of operation or once a year. Use SAE 20 motor oil with a "SE" rating. Check oil level when the hydrostatic oil is cold.



Steering Gears—Wipe off old grease and dirt. After every 25 hours of operation, place an automotive multi-purpose grease in the teeth of the segment and pinion gears.



King Pins—(One on each side of the tractor.) Lubricate with a grease gun after every 25 hours of operation. Use automotive multi-purpose grease.



PTO Engagement Lever—Lubricate with a grease gun after every 25 hours of operation. Use an automotive multi-purpose grease.



Brake Pedal—(Located on the brake pedal shaft) Lubricate with a grease gun after every 25 hours of operation. Use automotive multi-purpose grease.

MAINTENANCE

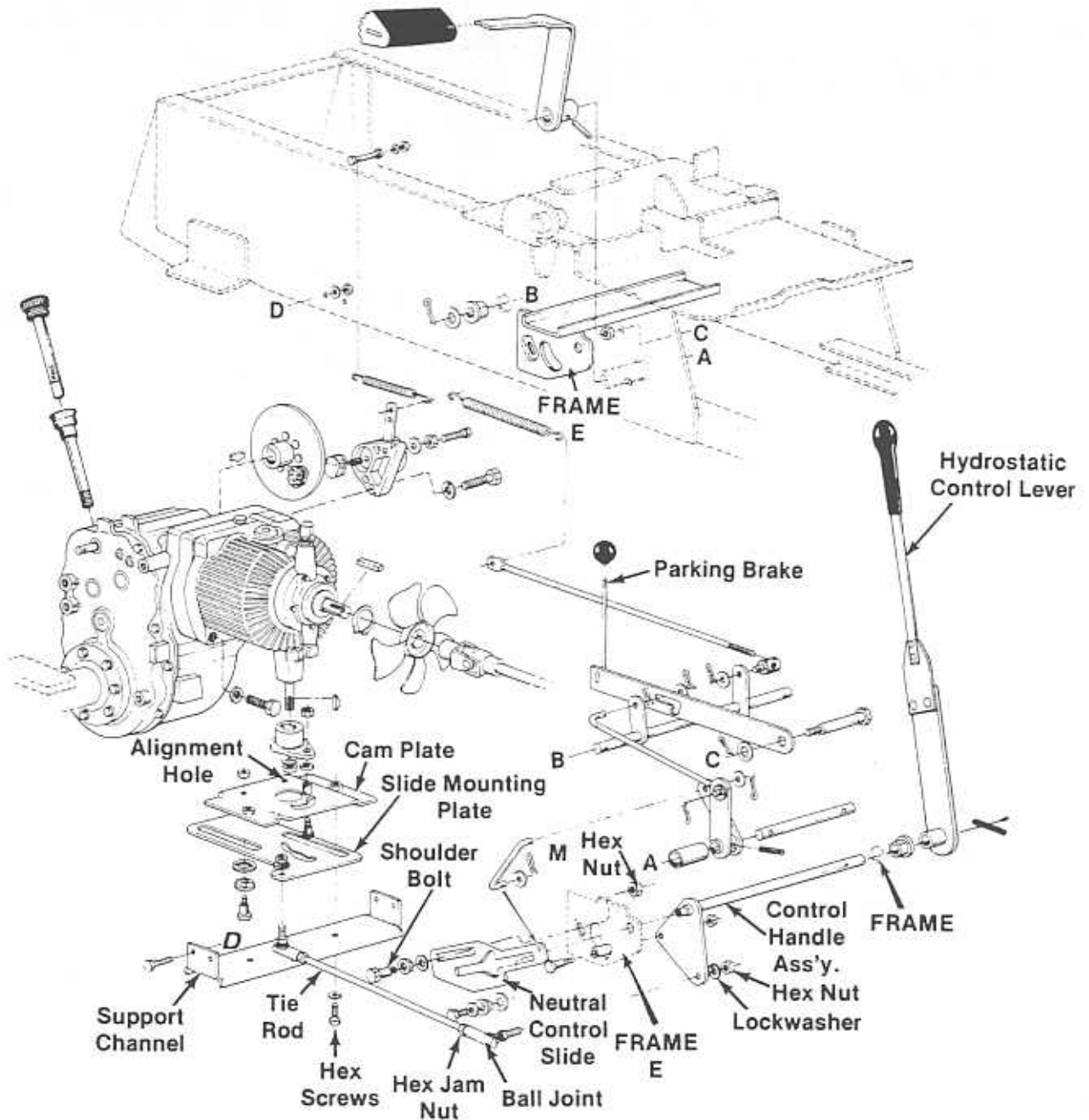


FIGURE 17.

Neutral Adjustment for the Hydrostatic Control Lever (See figure 17)

If the hydrostatic control lever does not return to the neutral notch on the hydrostatic control lever guide when the brake pedal is depressed (see figure 13), make the following adjustment:

1. Loosen the shoulder bolt and nut on the neutral control slide.
2. Depress the brake pedal and set the parking brake.

3. Move the hydrostatic control lever into the neutral notch.
4. Tighten the shoulder bolt and nut on the neutral control side.



If the tractor creeps while the hydrostatic control lever is in "NEUTRAL", the controls at the hydrostatic transmission must be adjusted.

Hydrostatic Transmission Control Adjustment

1. Block the rear of the tractor up so both rear wheels are off the ground.
2. Remove the ball joint hex nut and lock washer from the control handle assembly. See figure 17.
3. Loosen the hex jam nut on the tie rod at the front ball joint.
4. Loosen (do not remove) the two hex screws holding the support channel to the cam plate.
5. Move the slide mounting plate forward or backward until the alignment hole in the slide mounting plate and cam plate line up.



Use a 5/16" bolt or rod through the alignment holes in the cam plate and slide mounting plate.

6. Start the engine and run at idle.
7. Rotate the cam plate until rear wheels have stopped moving completely.
8. Tighten the two hex screws in the support channel.
9. Shut off the engine.
10. Set the parking brake.
11. Adjust the ball joint on the tie rod until it lines up exactly with the hole in the control handle assembly. Secure with the lock washer and hex nut.
12. Tighten the hex jam nut on the tie rod at the ball joint.
13. Remove 5/16" bolt on rod from alignment hole in cam plate.

FUEL SHUT-OFF VALVE AND FILTER (See figure 18.)

The valve and filter is located on the bottom of the gasoline tank. Turn the valve knob in to shut off the fuel flow. Turn the valve knob out to operate the tractor.

The entire valve can be pulled out to clean the filter. When reassembling, place the grommet into the gasoline tank first. Then push the valve all the way in.



WARNING

Only use factory approved parts if repairs are needed on the gasoline tank, grommet valve or gasoline line.

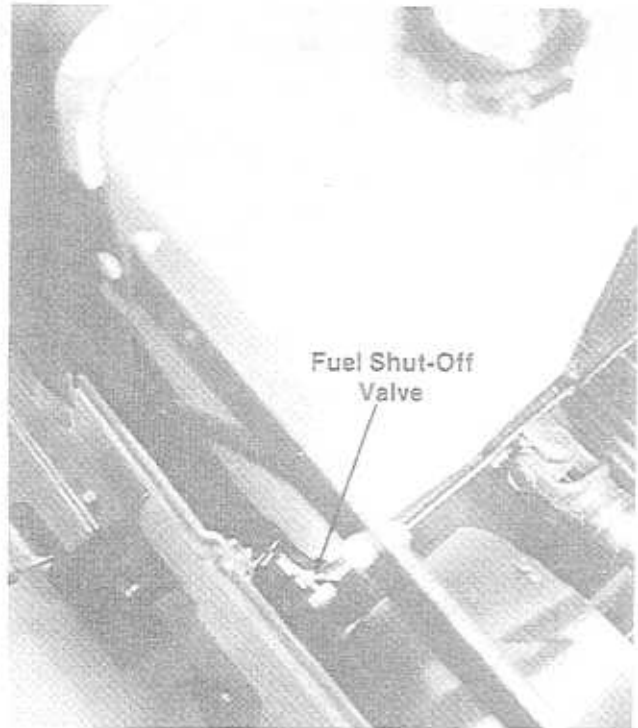


FIGURE 18.

REAR WHEEL TRACK ADJUSTMENT

The rear wheels may be adjusted wider for more stability by reversing the wheels and rims on the hubs.

With the rear wheels in the narrow position, their outside is even with the outside of the front wheels. With the rear wheels in the wide position, their inside is even with the inside of the front wheels.

Use this chart to determine the rear wheel setting.

ATTACHMENT	MODEL NO.	WHEEL SET
50" Mowing Deck	19993-0	N
12" Moldboard Plow	19920-0	W/N
Tandem Disc Harrow	19921-0	N
Spring Tooth Cult.	19922-0	N
54" Snow Blade	19985-0	N
48" Snow Thrower	19955-0	N
40" Rotary Tiller	19981-0	N

N—Narrow W—Wide

Rear Wheel Chains 19965-0
75 pound (each) Wheel Weights 19977-0

Wheel Alignment

The front wheels should toe-in approximately 1/8".

Measure the distances A and B on the front wheels. See figure 19.



Dimension B should be approximately 1/8 inch less than dimension A.

To adjust the toe-in, loosen the hex jam nut, remove the elastic lock nut and lift the tie rod end out of the hole in the steering arm. Screw the tie rod end in or out as necessary. See figure 20.

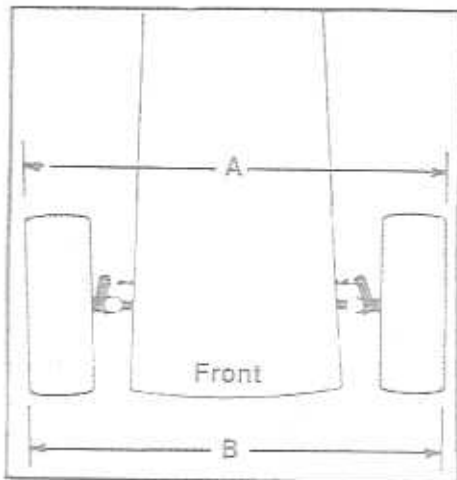


FIGURE 19.

Reassemble the tie rod end after the correct alignment is made.

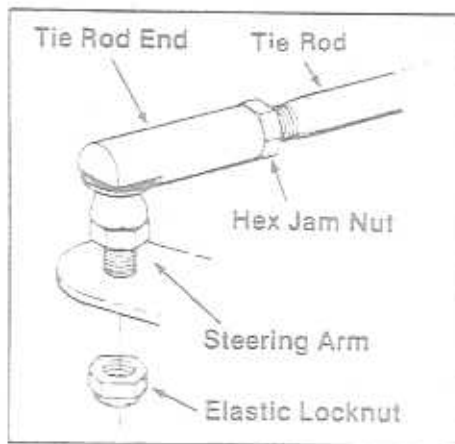


FIGURE 20.

Oil Filter

A full flow replaceable oil filter, located in the oil lines under the left side of the frame, should be replaced initially after twenty hours of operation. Thereafter, replace every 100 hours for commercial or industrial applications and yearly for normal usage. It can be removed by turning it counterclockwise by hand. Use Fram filter number PH-16; order part number 727-0162. See figure 21.



FIGURE 21.

AIR CLEANER

Clean and re-oil foam pre-cleaner at 3 month intervals or every 25 hours, whichever occurs first. See figure 22.

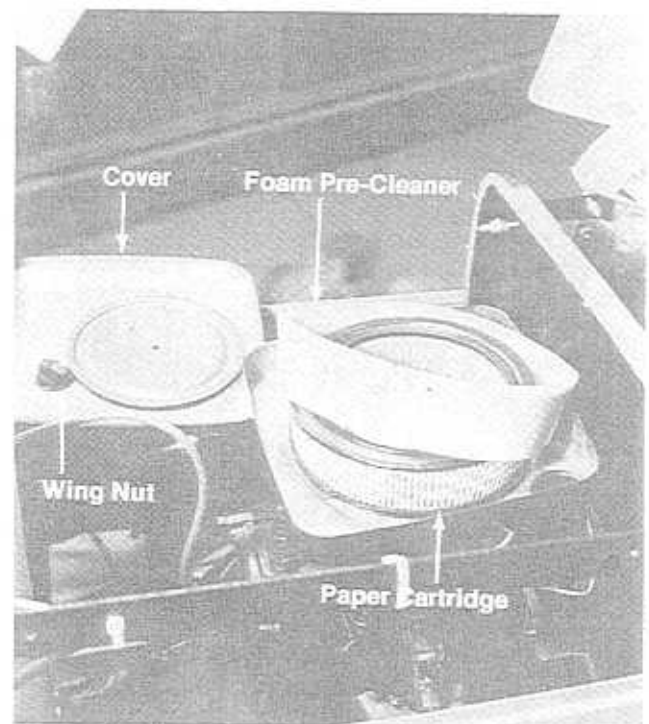


FIGURE 22.

1. Remove wing nut and cover.
2. Remove foam pre-cleaner element by sliding it up off of the paper cartridge.
3. A—Wash foam in liquid detergent and water,
B—Squeeze dry.
C—Oil with one ounce engine oil. Squeeze to distribute oil evenly.

4. Assemble to paper cartridge. Reassemble cover and wing nut. Screw wing nut down tight.

Yearly or every 100 hours, whichever occurs first, remove paper cartridge. Clean by tapping gently on flat surface. If very dirty, replace cartridge, or wash in liquid detergent and water. Rinse until water remains clear. Cartridge must be air dried thoroughly before using.



Service more often under dusty conditions.

Side Panels—The right and left side panels can be removed for maintenance or attaching accessories. To remove, turn the four screws in the corners a ¼ turn to the left and remove. See figure 23.

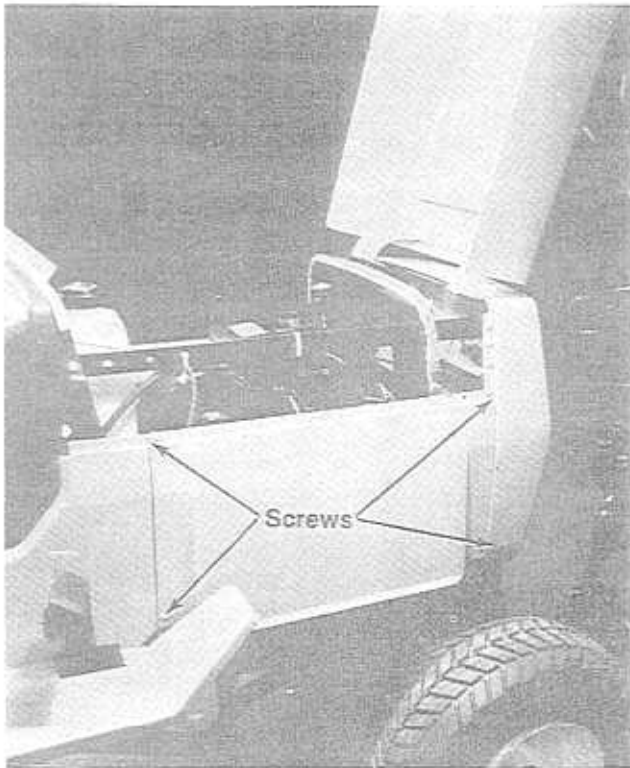


FIGURE 23.

Hydraulic Lift Valve Adjustment

The valve is located under the left side of the tractor frame under the hydraulic lift lever. See figure 24.

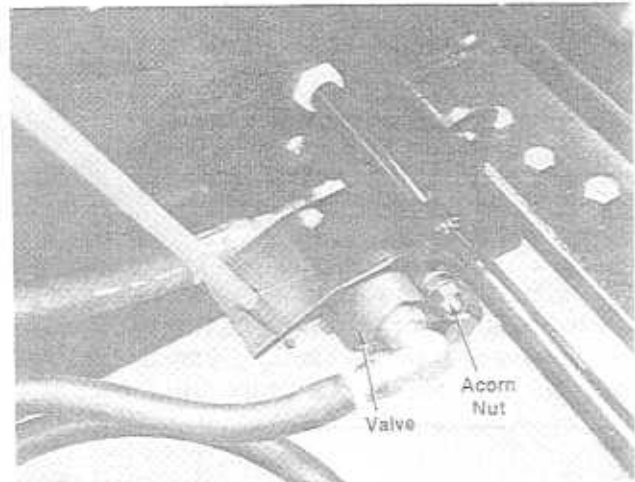


FIGURE 24.

The hydraulic lift valve is adjustable. Before making adjustments to the valve, be sure the engine is running at maximum speed of 3600 RPM. If the hydraulic lift will not raise your attachments, especially the heavier ones, you can increase the pressure. The equipment being used should be attached to the tractor during the adjustment.

1. Remove the acorn nut and washer. See figure 25.

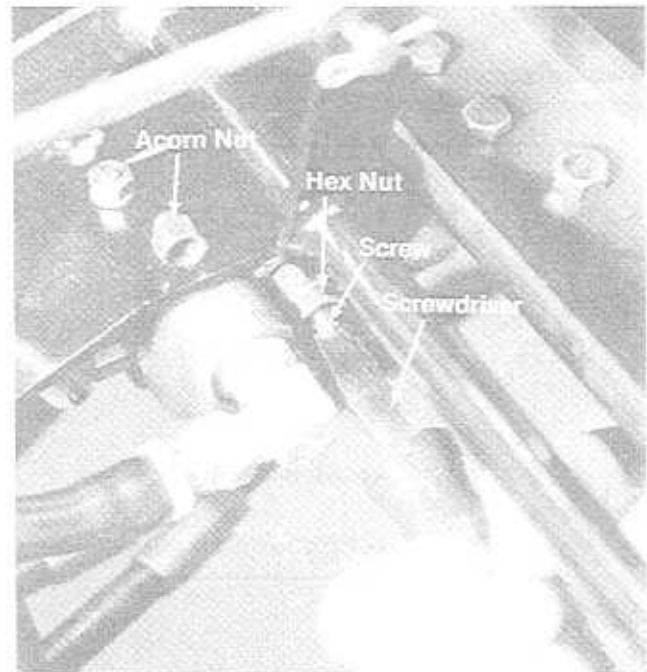


FIGURE 25.

2. Back off the lock nut at least three complete turns.
3. Turn the screw one complete turn in.
4. Tighten the lock nut.

5. Reassemble acorn nut and tighten.
6. Test the operation of the lift valve with the attachment on the tractor and the tractor engine running at full throttle.
7. If necessary, repeat the above steps.

If a pressure gauge is used, insert a "T" fitting between the charge pump on the hydrostatic transmission and the valve. Use a 1000 p.s.i. pressure gauge.

1. Start the engine and run at full throttle.
2. Check engine speed with a tachometer. Engine should be running at 3500 to 3600 RPM.
3. Move the hydraulic lift lever all the way either direction and hold it until the relief valve opens. The gauge should read 700 p.s.i.
4. If necessary, adjust relief valve as described above.

Brake Adjustment

The brake is located on the left side of the transaxle. The adjustment access hole is above the left rear axle mounting bracket. See figure 26.

To adjust:

1. Loosen the lock nut with a 11/16" wrench.
2. With a 7/16" socket and extension, tighten the center bolt until the pads are pushed against brake disc.
3. Back off the center bolt one half turn and tighten the lock nut.
4. Test the brake operation.

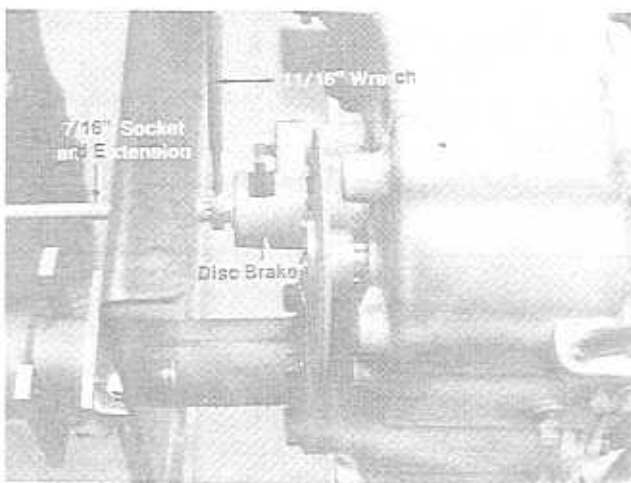


FIGURE 26.

Drive Shaft Removal

1. Loosen the square head set screw on the front universal joint. See figure 27.

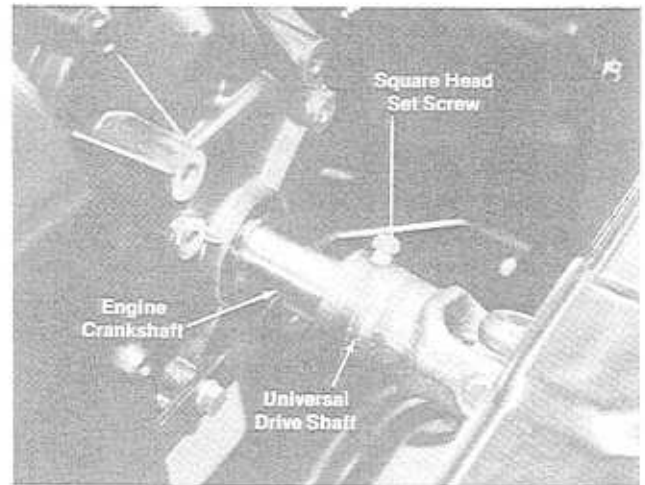


FIGURE 27.

2. Slide the drive shaft assembly forward as far as it will go and the rear universal joint can be removed from the input shaft of the hydrostatic transmission. See figure 28.
3. Remove the drive shaft assembly from the tractor.



There is a square key at the engine crankshaft and a hi-pro key at input shaft of transmission. Do not lose.

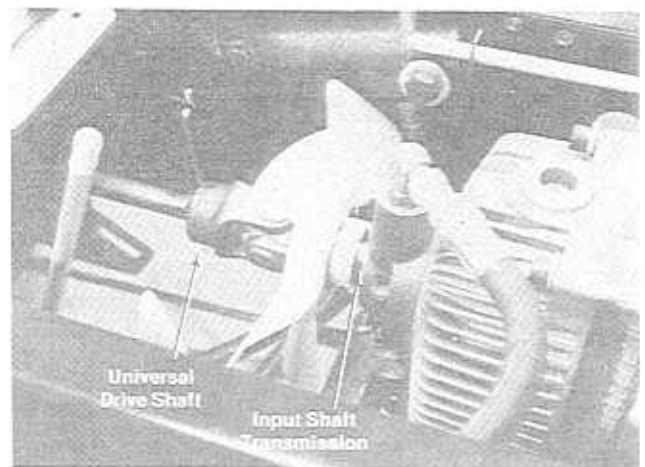


FIGURE 28.

Undercarriage Locks

The maximum down position can be set on the undercarriage for the mowing deck. See figure 29. There are six positions. This adjustment should be used with the deck roller adjustment so the mowing deck is always cutting parallel to the ground. To change the locks, remove the hairpin cotter, clevis pin and spacer and install in the desired hole. Both locks must be adjusted in the same position.

When setting the cutting height, lower the deck with the hydraulic lift until the undercarriage bottoms out against the locks.

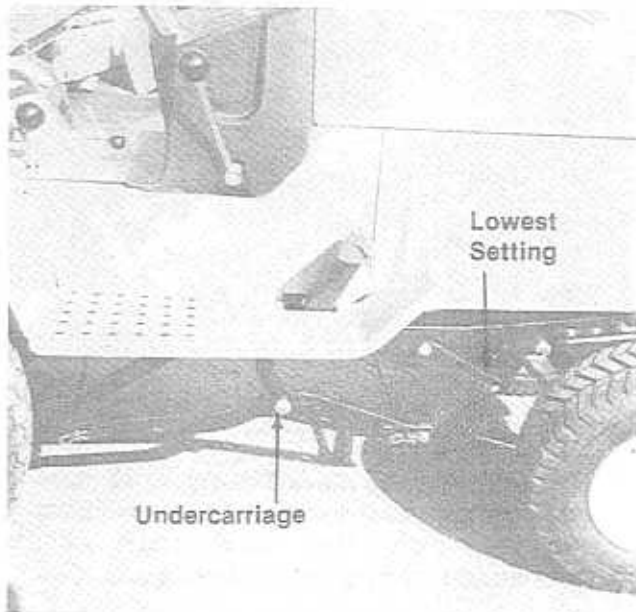


FIGURE 29.

The undercarriage locks are also used to hold the undercarriage in the completely raised position when using any of the rear mounted attachments or to prevent the undercarriage from moving up and down. See figure 30.



FIGURE 30.



WARNING

If any adjustments are made to the engine while the engine is running (e.g. carburetor), disengage all clutches and blades. Keep clear of all moving parts. Be careful of heated surfaces and muffler.

CARBURETOR ADJUSTMENT

Turn needle valve clockwise until it just closes.



CAUTION

Valve may be damaged by turning it in too far.

Now open needle valve $1\frac{1}{2}$ turns counterclockwise. Close idle valve in same manner and open $1\frac{1}{2}$ turns. This initial adjustment will permit the engine to be started and warmed up prior to final adjustment. See figure 31.

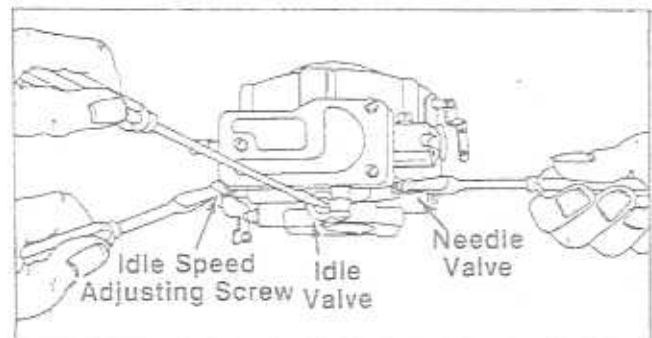


FIGURE 31.

PTO Adjustment

The PTO cable can be adjusted at either end. To adjust, loosen the nut on the inside and tighten the nut on the outside to compensate for cable stretch. Adjust until the idler depresses the safety switch plunger within $\frac{1}{8}$ " of bottoming out in the switch when the PTO is in the "OFF" position. See figures 32 and 34.

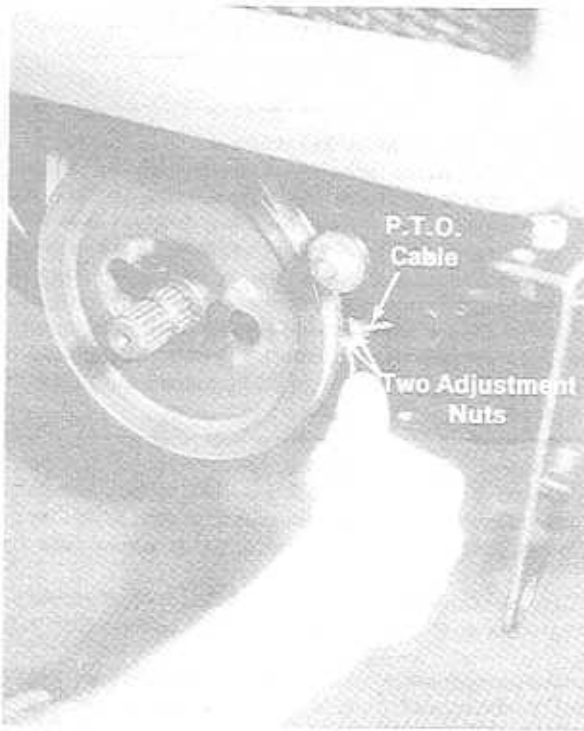


FIGURE 32.

PTO Belt Removal

Power Take Off (PTO) Belt Removal

1. Take off the front PTO belt guard assembly by removing four hex screws. See figure 33.

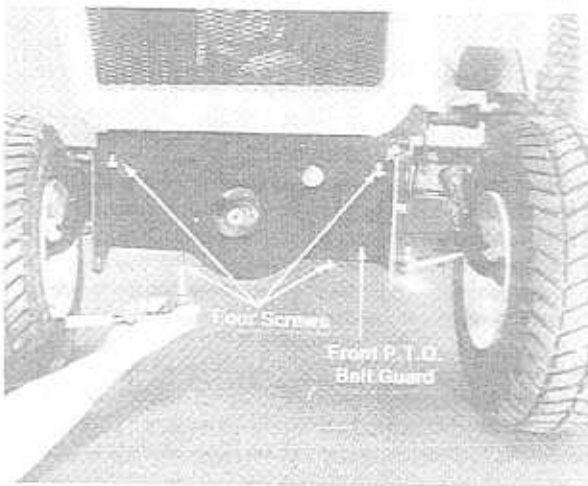


FIGURE 33.

2. Put the PTO lever in the "OFF" position.
3. Loosen two screws on inner belt guard. See figure 34.



Photograph taken with grille removed for clarity.

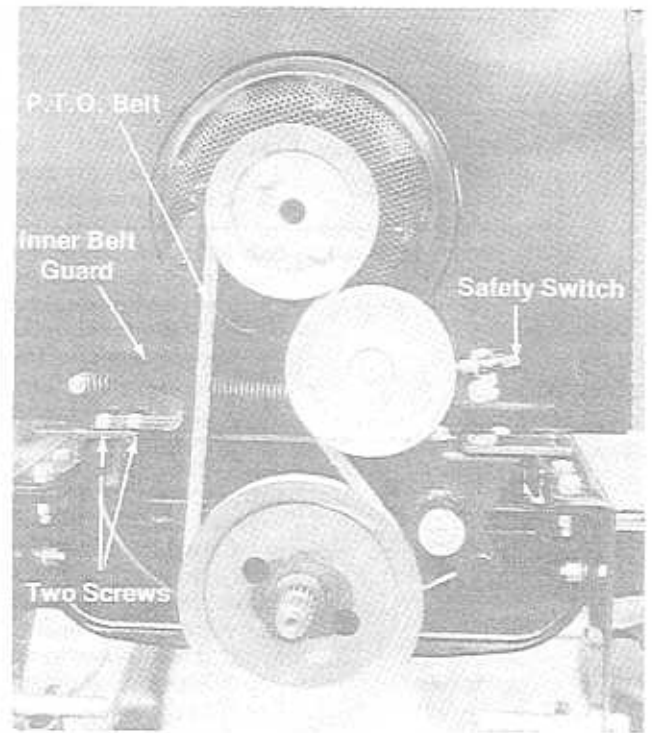


FIGURE 34.

4. Remove V-belt and replace with the correct O.E.M. V-belt.
5. Reassemble.

TROUBLE SHOOTING CHART FOR ELECTRIC START MODELS

TROUBLE	LOOK FOR	REMEDY
Engine will not crank	Battery installed incorrectly	The battery must be installed with the negative, identified at the terminal post by (Neg, N or -), grounded. The positive (Pos, P or +) attaches to the large cable from the solenoid. The small red wire from the fuse holder or circuit breaker is also attached to the positive terminal.
	Blow fuse or circuit breaker	Replace fuse with 7½ amp. fuse ¼ x 1¼" lg. Circuit breaker will reset itself when it cools off. Fuses or circuit breakers seldom open or fail without a reason. The problem must be corrected. Check for loose connections in the fuse holder. Replace fuse holder if necessary. A dead short may be in the cranking or charging circuit where the insulation may have rubbed through and exposed the bare wire. Replace the wire or repair with electrician's tape if the wire strands have not been damaged. Note: Look for a wire pinched between body panels, burned by the exhaust pipe or muffler or rubbed against a moving part.
Battery is dead or weak		<p>Use a hydrometer to check the condition of the battery. The Specific Gravity (s.g.) should be 1.265 at 80°F. (1.215 s.g. minimum needed for cranking engine). The reason for the battery failing must be determined. (1) Defective battery. Battery will not accept or hold a full charge. (2) Short circuit. Check for grounded wire. (3) Charging system not working, either engine alternator or trickle charger.</p> <p>Trickle Charger. Check with multimeter. Charger 725-0578—input 120 V A.C., no load output 13.5 V D.C., rated load current 1 amp. Charger 725-0507—input 120 V A.C., no load output 17.4 V D.C., rated load current 1/2 amp.</p> <p>Alternator (dual or single circuit) The charging system is an alternator located under the flywheel. It is unregulated and rated 3 amp. at 3600 r.p.m. A diode (rectifier) is located in the output lead just before the wire harness plug on the engine side.</p> <div style="text-align: center;"> </div> <p>The diode changes A.C. to D.C. to charge the battery. A bad diode can either fail to charge the battery or discharge the battery if the alternator is shorted as well as the diode. To test: (1) Disconnect charger lead from the battery (small red wire). (2) Connect 12 V small test lamp between the 3 amp. D.C. charge lead and the positive terminal of the battery. (3) With the engine off, the lamp should not light. If it does, the diode and possibly the alternator should be replaced. (4) Start the engine. The lamp should light. If it does not, the alternator (stator) or lead wire is bad and should be replaced.</p>
Mechanical failure. (Wires and switches)		The interlock system includes two mechanical activated switches which are wired in series in the circuit used to energize the starter solenoid. While testing the interlock system, you will make the mower temporarily unsafe by permitting the engine to be started with the blade and clutch engaged. WARNING: While testing, disengage the clutch, shut off the blade control, set the parking brake and place the gear shift lever in neutral. Attach a wire (minimum 18 gauge) to the positive terminal of the battery and touch the other end to the small terminal on the solenoid. If the engine does not crank: (1) There is a loose connection or poor ground. (2) The solenoid may be bad. The solenoid can be checked by using a heavy wire (#8 gauge minimum) and jumping between the two large terminals. If the engine cranks, the solenoid is bad. (3) If the engine does not crank when you jump the solenoid, have the starter motor tested by an authorized engine dealer. If the engine does crank, the problem is with one of the safety switches, ignition switch or the wire between the fuse holder (or circuit breaker) and the small terminal on the solenoid. Note: Look for a poor connection at the switches or a defective switch. Replace if necessary.
Engine cranks but will not start	Throttle or choke not in starting position	Check owner's guide for correct position for throttle control and choke (if separate control) for starting.

TROUBLE SHOOTING CHART FOR ELECTRIC START MODELS

TROUBLE	LOOK FOR	REMEDY
	No spark to spark plug	Spark plug lead disconnected. Connect lead. Hold spark plug lead away from engine block about 1/8". Crank engine. There should be a spark. If not, have engine repaired at authorized engine service dealer. Faulty spark plug. To test, remove spark plug. Attach spark plug lead to spark plug. Ground the spark plug body against the engine block. Crank the engine. The spark plug should fire at the electrode. Replace if it does not.
	No fuel to the carburetor	Gasoline tank empty. Fill. Fuel valve shut off. Open valve. Valve is located either at the bottom of the fuel tank or on the carburetor. Fuel line plugged. Remove and clean.
	Air filter dirty	If the air cleaner is dirty, the engine may not start. Clean or replace as recommended by the engine manufacturer.
Engine smokes	Engine loses crankcase vacuum	Dipstick not seated or broken. Replace defective part. Engine breather defective. Replace.
Excessive vibration	Bent or damaged blade spindle	Stop engine immediately. Check all pulleys, blade spindles, blade adapters, keys and bolts for tightness and damage. Tighten or replace any damaged parts.
	Bent blade	Stop engine immediately. Replace damaged blade. Only use original equipment blades.
Mower will not discharge grass or leaves uncut strips	Engine speed low	Throttle must be set between 3/4 and full throttle.
	Transmission selection	Use lower transmission gear. The slower your ground speed, the better the quality of cut.
	Blades short or dull	Sharpen or replace blades (uncut strip problem only).

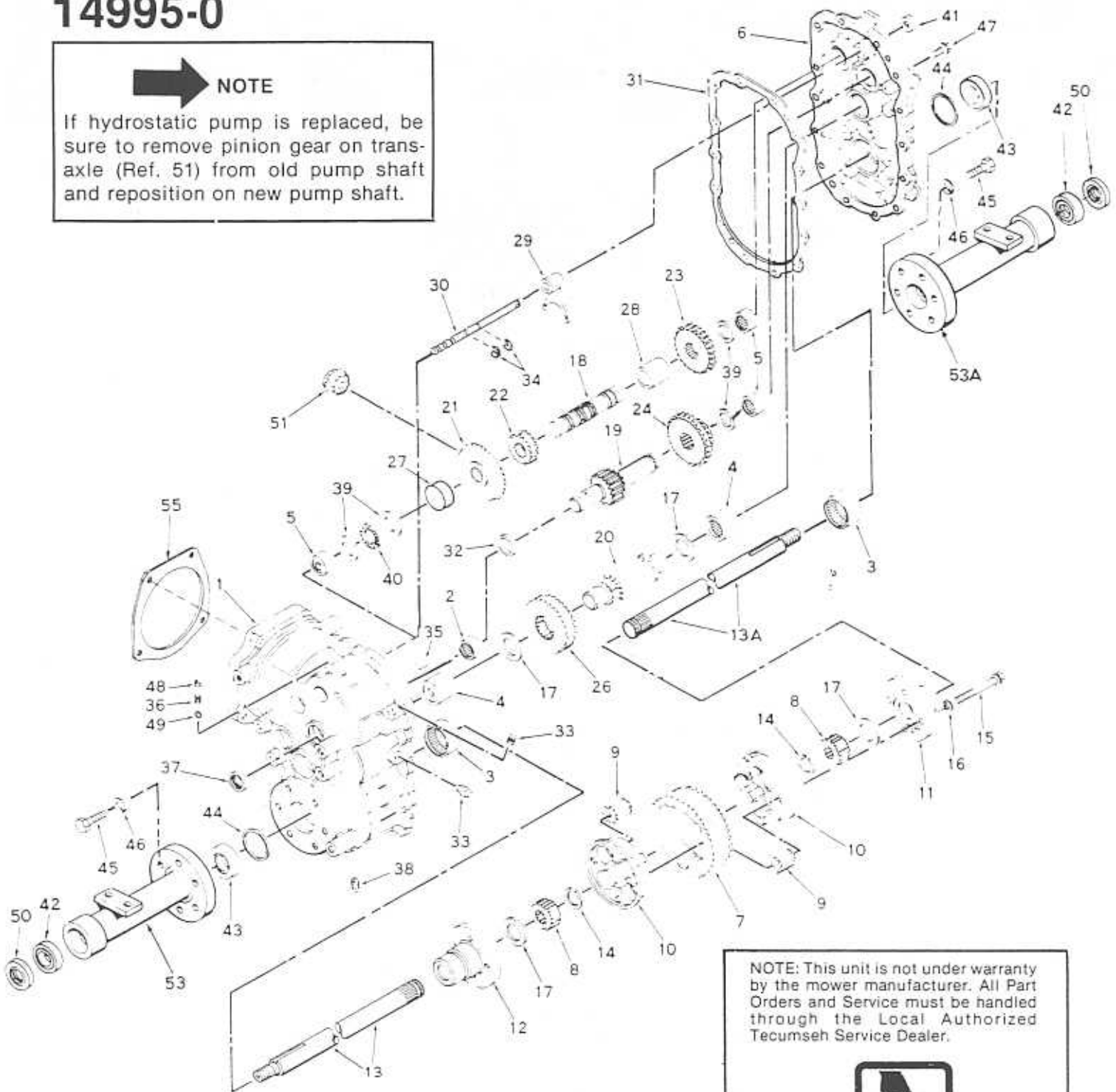
HYDROSTATIC TRANSMISSION TROUBLE SHOOTING

<p>No output torque (power) in either direction, cold start.</p>	<ol style="list-style-type: none"> 1. Recheck relief valve position, control linkage, input drive. 2. Oil level in reservoir low. 3. Broken control shaft dowel pin. Transmission must be repaired or replaced.
<p>Loss of output torque, continuous load.</p>	<ol style="list-style-type: none"> 1. Operating at conditions approaching hydraulic stall. The transmission fluid has exceeded 180°F. 2. Internal leakage due to wear. Transmission should be repaired or replaced. 3. Water in transmission fluid. Purge system of all fluid and replace with new transmission fluid. Replacement of the transmission is generally not necessary.
<p>No output torque in one direction. Riding mower cannot be pushed with engine off.</p>	<ol style="list-style-type: none"> 1. One of the directional valves is stuck. Transmission should be repaired or replaced. 2. Low oil level. <ol style="list-style-type: none"> 1. Relief valve control not set.
<p>No neutral.</p>	<ol style="list-style-type: none"> 2. Relief valve travel not adjusted. 3. Motor piston or rotor seized. Transmission must be repaired or replaced. <ol style="list-style-type: none"> 1. Recheck linkage. Loose linkage creates an adjustment problem. Note: The hydraulic neutral band is very narrow. Deflection in the linkage may make it difficult to obtain neutral from both directions. It is recommended that neutral should be positive from forward drive.
<p>Oil leakage at the control shaft seal.</p>	<ol style="list-style-type: none"> 1. Spillage when fluid has been added to the reservoir. 2. Spillage at the vent in the reservoir at operating temperatures due to cold level being too high or water in the fluid. Reduce fluid level or replace fluid in the event there is water in it (milky color). 3. Loose oil reservoir or cover. 4. Loose vent bolt. 5. Damaged control shaft seal. Transmission should be repaired.
<p>Noisy Operation.</p>	<ol style="list-style-type: none"> 1. Operating at part throttle. Hydrostatic transmission is designed to operate with the engine running at full throttle. 2. Water in transmission fluid. Replace transmission fluid. 3. Air in transmission fluid. Bleed air from vent.
<p>Output shaft rotates in the opposite direction.</p>	<ol style="list-style-type: none"> 1. The transmission body is 180° out of position. Transmission has to be removed and reassembled correctly.

14995-0



If hydrostatic pump is replaced, be sure to remove pinion gear on trans-axle (Ref. 51) from old pump shaft and reposition on new pump shaft.



NOTE: This unit is not under warranty by the mower manufacturer. All Part Orders and Service must be handled through the Local Authorized Tecumseh Service Dealer.



yellow pages

PEERLESS MODEL 2526

This unit is under warranty by Tecumseh Products Company. Parts and Service are available through all Tecumseh, Lauson Power Products Service Dealers. Check the "Yellow Pages" of your telephone directory under "Engines—Gasoline."

TRANSAXLE MODEL 2526

PARTS LIST FOR TRANSAXLE MODEL 2526

REF. NO.	PART NO.	DESCRIPTION	REF. NO.	PART NO.	DESCRIPTION
1	PE-770060	Case Ass'y. Transaxle (Incl. Nos. 2 thru 5)	27	PE-786055	Spacer
2	PE-780097	Bearing, Needle	28	PE-786056	Spacer
3	PE-780098	Bearing, Needle	29	PE-784195	Fork, Shift
4	PE-780099	Bearing, Needle	30	PE-784196	Rod, Shift
5	PE-780100	Bearing, Needle	31	PE-788047	Gasket, Case and Cover
6	PE-772065	Cover Ass'y., Transaxle (Incl. Nos. 3, 4 & 5)	32	PE-780005	Spacer
7	PE-778084	Gear, Ring	33	PE-792010	Plug, Pipe
8	PE-778085	Gear, Side	34	PE-792064	Ring, Snap
9	PE-778086	Gear, Pinion	35	PE-786026	Pin, Dowel
10	PE-786054	Core, Body	36	PE-792003	Spring
11	PE-774199	Carrier, Differential	37	PE-788008	Seal, Oil
12	PE-774200	Carrier, Differential	38	PE-792019	Plug, Magnetic Drain
13	PE-774390	Axle, Left Hand	39	PE-780045	Washer, Thrust
13A	PE-774389	Axle, Right Hand	40	PE-780012	Bearing, Thrust
14	PE-792062	Ring, Snap	41	PE-788034	Seal, Oil
15	PE-792063	Screw, Hex Hd. Mach., 3/8-16 x 3-3/8	42	PE-780103	Bearing, Ball
16	PE-792011	Lockwasher, 3/8"	43	PE-780104	Bearing, Thrust
17	PE-780101	Washer, Thrust	44	PE-788048	Seal, Square Cut
18	PE-776118	Shaft, Counter	45	PE-792065	Screw, Hex Hd. Mach., 1/2-13 x 1 1/2
19	PE-776122	Shaft, Brake	46	PE-792066	Lockwasher, 1/2"
20	PE-776120	Pinion, Output	47	PE-792067	Screw, Hex Hd. Thd. Forming, 5/16-18 x 1
21	PE-778087	Gear, Bevel (30 teeth)	48	PE-792068	Screw, Set, 1/4-20 x 1/2
22	PE-778088	Gear, Spur (16 teeth)	49	PE-792004	Ball, Steel
23	PE-778096	Gear, Spur (23 teeth)	50	PE-788049	Seal, Oil
24	PE-778097	Gear, Cluster (20 and 27 teeth)	51	PE-778093A	Pinion, Bevel
26	PE-778098	Gear, Output (37 teeth)	53	PE-782061	Housing, Axle
			53A	PE-782060	Housing, Axle
			55	PE-788050	Gasket

Note: This unit is not under warranty by the mower manufacturer. All Part Orders and Service must be handled through the Local Authorized Tecumseh Service Dealer.



PEERLESS MODEL 2526

This unit is under warranty by Tecumseh Products Company. Parts and Service are available through all Tecumseh, Lauson Power Products Service Dealers. Check the "Yellow Pages" of your telephone directory under "Engines—Gasoline."

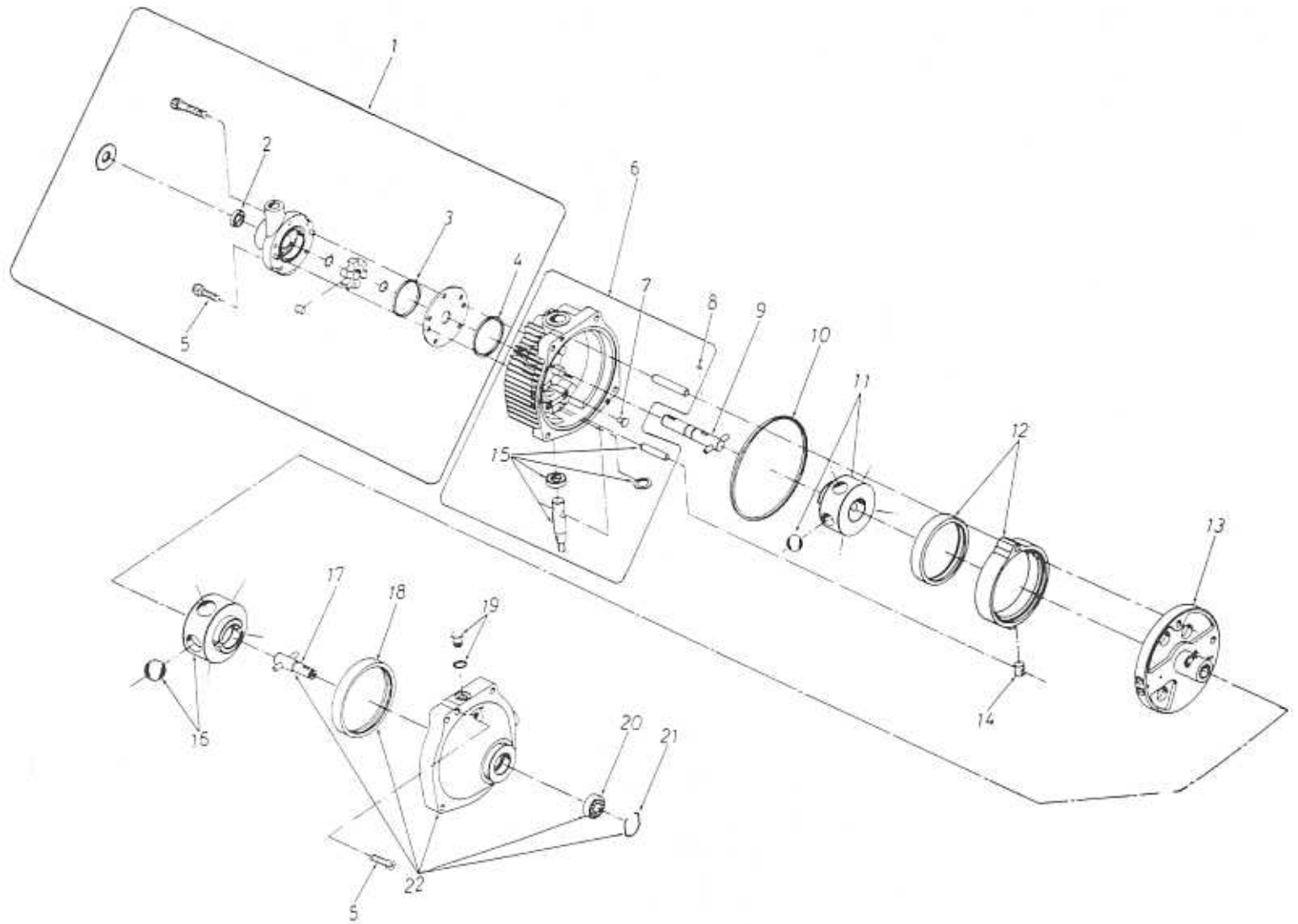
14995-0

MII HYDROSTATIC TRANSMISSION



NOTE

If hydrostatic pump is replaced, be sure to remove pinion gear on trans-axle (Ref. 51 on page 26) from old pump shaft and reposition on new pump shaft.



14995-0

PARTS LIST FOR MII HYDROSTATIC TRANSMISSION ET-001100-006 (717-0344)

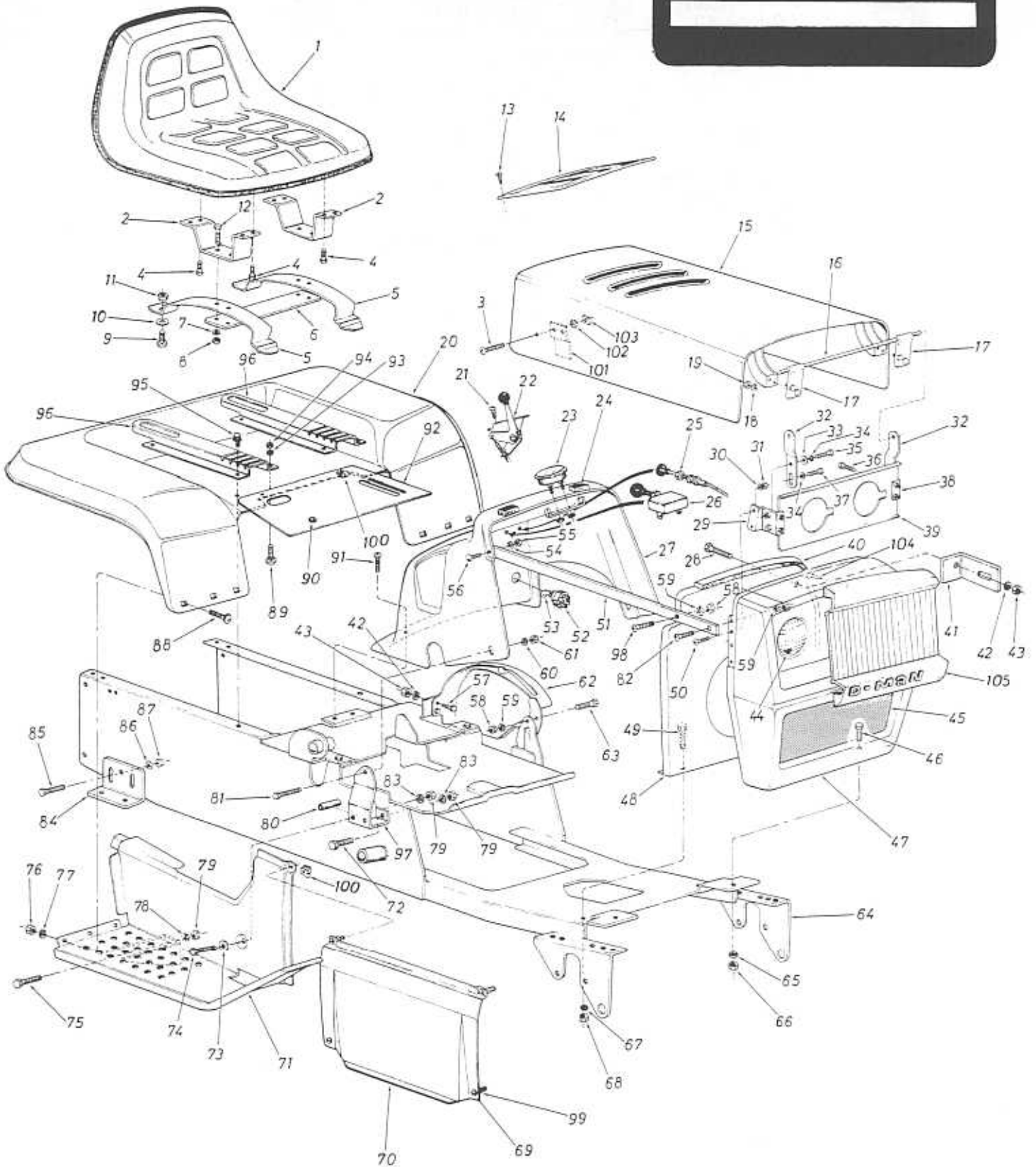
REF. NO.	PART NO.	DESCRIPTION
1	ET-990045	Charge Pump Kit
2	ET-92999	Oil Seal
3	ET-008771-036	Square Cut Seal Ring .036
4	ET-008771-038	Square Cut Seal Ring .038
5	ET-095912-125	Soc. Hd. Cap Screw 5/16-18 x 1.25" Lg.
6	ET-990114	Cover Subassembly
7	ET-101597	Button
8	ET-90880	Drive Pin
9	ET-24129	Input Shaft Subassembly
10	ET-008771-166	Square Cut Seal Ring .166
11	ET-101470	Pump Rotor—Ball Subassembly
12	ET-101904	Cam Ring Subassembly
13	ET-101571	Pintle Subassembly
14	ET-97841	Cam Ring Insert
15	ET-990136	Control Shaft Kit
16	ET-101853	Motor Rotor—Ball Subassembly
17	ET-24608	Output Shaft Subassembly
18	ET-40525	Motor Race
19	ET-025090-006	"O"-Ring Plug Subassembly
20	ET-97879	Ball Bearing (Output)
21	ET-91231	Retaining Ring
22	ET-102583	Body Subassembly

NOTE

A complete disassembly procedure and repair manual for the hydrostatic pump is available from the factory. Write for manual covering Model 717-0344. Form No. 770-5390.

14995-0

IF YOU WRITE TO US ABOUT THIS ARTICLE
OR IF YOU ORDER REPLACEMENT PARTS AL-
WAYS MENTION THIS MODEL & SERIAL NO
MODEL

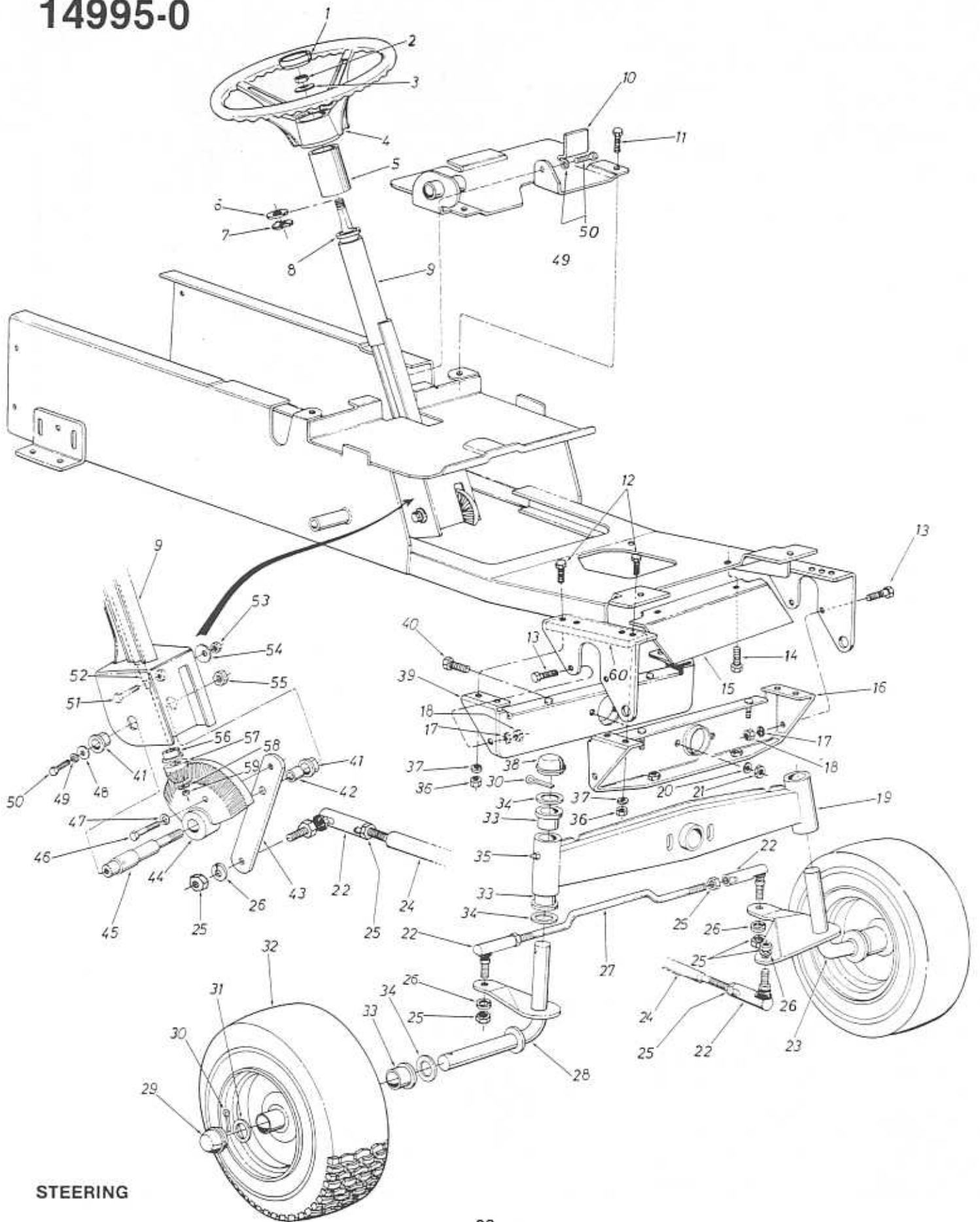


MAIN BODY

PARTS LIST FOR MODEL 14995-0

REF. NO.	PART NO.	COLOR CODE	DESCRIPTION	NEW PART	REF. NO.	PART NO.	COLOR CODE	DESCRIPTION	NEW PART
1	757-0286		Seat Ass'y. Comp.		56	710-0252		Hex Scr. 1/4-20 x .75" Lg.*	
2	14225		Seat Support Brkt.		57	710-0252		Hex Scr. 1/4-20 x .75" Lg.*	
3	710-0192		Truss Hd. Mach. Scr. #10-24 x .38" Lg.		58	712-0287		Hex Nut 1/4-20 Thd.*	
4	710-0623		Hex Wash. Hd. Self-Tap Scr. 3/8-16 x .75" Lg.		59	736-0329		L-Wash. 1/4" Scr.*	
5	13123		Seat Spring		60	736-0329		L-Wash. 1/4" Scr.*	
6	13214		Seat Support Plate		61	712-0287		Hex Nut 1/4-20 Thd.*	
7	736-0119		L-Wash. 5/16" Scr.*		62	13528		Speed Control Guide	
8	712-0267		Hex Nut 5/16-18 Thd.*		63	710-0255		Truss Mach. Scr. 1/4-20 x .75" Lg.*	
9	710-0689		Nylon Scr. 1/2-13 x .75" Lg.		64	13509		Frame Ass'y.	
10	736-0160		FI-Wash. .531 I.D. x .930 O.D.		65	736-0242		Bell. Wash. 5/16" Scr.*	
11	712-0384		Hex Cent. L-Nut 1/2-13 Thd.		66	712-0267		Hex Nut 5/16-18 Thd.*	
12	710-0118		Hex Scr. 5/16-18 x .75" Lg.*		67	736-0242		Bell. Wash. 5/16" Scr.*	
13	710-0697		Self-Tap Oval Hd. Scr. 1/2" Lg.		68	712-0267		Hex Nut 5/16-18 Thd.*	
14	731-0384		Dash Panel Cover		69	726-0167		1/4-Turn Stud	
15	13472		Hood Ass'y.		70	13525		Hood Lower Side Panel	
16	747-0231		Hinge Rod		71	13576		Foot Step Panel Ass'y.— R.H.	
17	13581		Hood Hinge Ass'y.			13577		Foot Step Panel Ass'y.—L.H. (Not Shown)	
18	736-0329		L-Wash. 1/4" Scr.*		72	710-0253		Hex Scr. 3/8-16 x 1.00" Lg. Grade 5	
19	712-0287		Hex Nut 1/4-20 Thd.*		73	736-0117		FI-Wash. .385 I.D. x .62 O.D.	
20	13106		Rear Fender		74	710-0194		Hex Scr. 3/8-16 x 3.00" Lg.*	
21	710-0721		FI-Hd. Truss Scr. #10 x .62" Lg.		75	710-0253		Hex Scr. 3/8-16 x 1.00" Lg. Grade 5	
22	746-0342		Throttle Control		76	712-0287		Hex Nut 1/4-20 Thd.*	
23	725-0119		Ammeter		77	736-0329		L-Wash. 1/4" Scr.*	
24	735-0199		Rubber Bumper		78	736-0169		L-Wash. 3/8" Scr.*	
25	746-0343		Choke Control		79	712-0798		Hex Nut 3/8-16 Thd.*	
26	725-0202		Light Switch		80	750-0261		Spacer .375 I.D. x .62 O.D. x 2.00" Lg.	
27	731-0463		Dash Panel		81	710-0255		Truss Mach. Scr. 1/4-20 x .75" Lg.*	
28	710-0258		Hex Scr. 1/4-20 x .62" Lg.*		82	710-0252		Hex Scr. 1/4-20 x .75" Lg.*	
29	13689		Hood Support Brkt. Ass'y.—R.H.		83	736-0169		L-Wash. 3/8" Scr.	
30	736-0329		L-Wash. 1/4" Scr.*		84	13066		Transaxle Support Brkt.	
31	712-0287		Hex Nut 1/4-20 Thd.*		85	710-0617		Rd. Hd. Rib Neck Scr. 3/8-24	
32	13585		Hinge Rod Support		86	736-0217		L-Wash. 3/8" Scr.*	
33	736-0211		FI-Wash. .250 I.D. x 1.25 O.D.		87	712-0241		Hex Nut 3/8-24 Thd.*	
34	736-0329		1/4" L-Wash.		88	710-0167		Carr. Bolt 1/4-20 x .50" Lg.*	
35	710-0258		Hex Scr. 1/4-20 x .62" Lg.*		89	710-0260		Carr. Bolt 5/16-18 x .62" Lg.*	
36	710-0294		Hex Scr. 1/4-20 x .38" Lg.*		90	731-0405		Snap Bushing	
37	710-0258		Hex Scr. 1/4-20 x .62" Lg.*		91	710-0618		FI-Hd. Self-Tap Scr. 1/4-20 x .62" Lg.	
38	13690		Hood Support Brkt. Ass'y.—L.H.		92	13529		Transmission Cover	
39	13687		Head Lamp Retainer		93	736-0119		L-Wash. 5/16" Scr.*	
40	722-0136		Foam Strip		94	712-0267		Hex Nut 5/16-18 Thd.*	
41	13724		Heat Shield Brkt.		95	710-0601		Hex Wash. Hd. Self-Tap Scr. 5/16-24 x .75" Lg.	
42	736-0329		L-Wash. 1/4" Scr.*		96	13124		Seat Adjustment Brkt.	
43	712-0287		Hex Nut 1/4-20 Thd.*		97	13536		Dash Panel Mtg. Brkt.	
44	725-0222		Head Lamp		98	710-0252		Hex Scr. 1/4-20 x .75" Lg.*	
45	13730		Grille Screen		99	726-0168		Retainer	
46	710-0118		Hex Scr. 5/16-18 x .75" Lg.*		100	726-0169		Clip-On Receptacle	
47	14042		Grille		101	732-0391		Hood Spring	
48	13569		Heat Shield		102	736-0722		L-Wash. #10	
49	710-0118		Hex Scr. 5/16-18 x .75" Lg.*		103	712-0121		Hex Nut #10-24	
50	710-0286		Truss Mach. Scr. 1/4-20 x .75" Lg.*		104	710-0200		Truss Mach. Self-Tap Scr. #8 x .50" Lg.	
51	13725		Grille Strap		105	731-0501		Headlight Bezel	
52	725-0267		Ignition Switch						
53	725-0201		Ignition Key						
54	736-0329		L-Wash. 1/4" Scr.*						
55	712-0287		Hex Nut 1/4-20 Thd.*						

14995-0

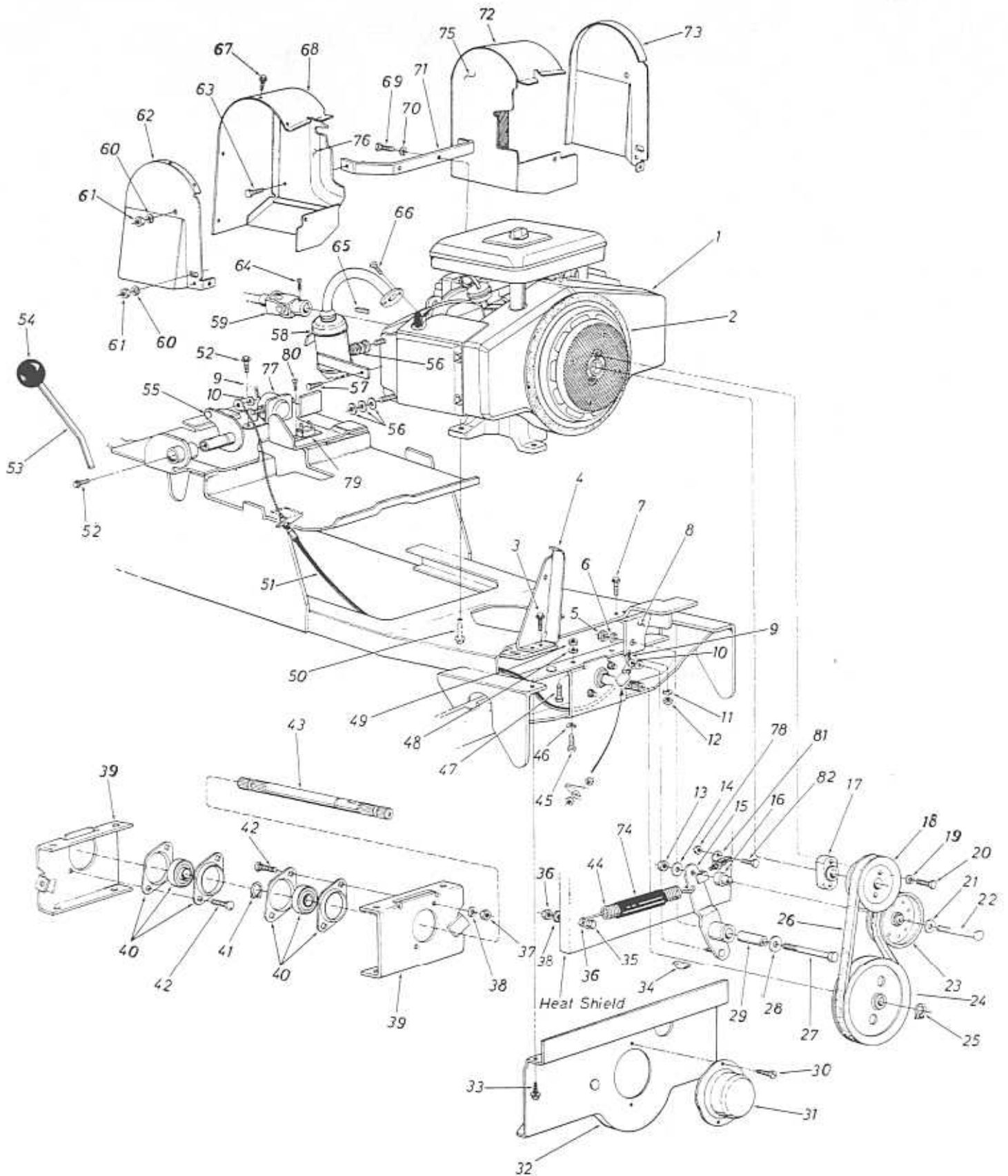


STEERING

PARTS LIST FOR MODEL 14995-0

REF. NO.	PART NO.	COLOR CODE	DESCRIPTION	NEW PART	REF. NO.	PART NO.	COLOR CODE	DESCRIPTION	NEW PART
1	731-0220		Steering Wheel Cap		32	734-0933		Front Wheel Ass'y. Comp.	
2	712-0158		Hex Cent. L-Nut 5/16-18 Thd.			734-0787		Front Wheel Rim Only	
3	736-0270		Bell. Wash.			734-0947		Front Wheel Tire Only	
4	731-0356		Steering Wheel		33	731-0374		Flange Brg. 1.00" I.D.	
5	750-0362		Steering Tube—Outer		34	736-0259		FI-Wash. 1.00" I.D. x 1.62" O.D.	
6	736-0296		Double "D" FI-Wash.					Grease Fitting	
7	736-0174		Wave Wash. .660 I.D. x .88 O.D.		35	737-0146		Hex Nut 3/8-16 Thd.*	
8	741-0138		Ball Brg. .63 I.D. x 1.38 O.D.		36	712-0798		L-Wash. 3/8" Scr.*	
9	13515		Steering Column Ass'y.		37	736-0169		Dust Cover	
10	13586		Dash Panel Base Plate Ass'y.		38	731-0349		See Ref. No. 16	
11	710-0623		Hex Self Tap Scr. 3/8-16 x .75" Lg.		39	—		Hex Scr. 3/8-16 x 2.50" Lg.*	
12	710-0344		Hex Scr. 3/8-16 x 1.50" Lg.*		40	710-0937		Flange Brg. w/Flats .753 I.D.	
13	710-0253		Hex Scr. 3/8-16 x 1.00" Lg.*		41	741-0199		Steering Gear Shaft Spacer	
14	710-0502		Hex Wash. S.F. Tap Scr. 3/8-16 x 1.25" Lg.		42	750-0333		Steering Arm	
15	13547		Dust Shield		43	13132		Bevel Gear	
16	13032		Front Pivot Brkt. Ass'y.		44	748-0238		Steering Gear Shaft	
17	736-0169		L-Wash. 3/8" Scr.*		45	738-0342		Hex Scr. 3/8-16 x 1.50" Lg.*	
18	712-0798		Hex Nut 3/8-16 Thd.*		46	710-0344		L-Wash. 3/8" Scr.*	
19	13008		Pivot Bar Ass'y.		47	736-0169		FI-Wash. .406 I.D. x 1.25" O.D.	
20	736-0219		Bell. Wash. 3/8" Scr.*		48	736-0169		L-Wash. 3/8" Scr.*	
21	712-0375		Hex Cent. L-Nut 3/8-16 Thd.*		49	736-0169		Hex Scr. 3/8-16 x .75" Lg.*	
22	723-0179		Drag Link End		50	710-0216		Nylon Hex Scr. 3/8-16 x 1.25" Lg.	
23	13001		Axle Ass'y.—L.H.		51	710-0670		Steering Shaft	
24	747-0294		Drag Link		52	738-0408		Hex Jam Nut 3/8-16 Thd.	
25	712-0922		Hex Nut 1/2-20 Thd.*		53	712-0342		Bell. Wash. .400 I.D. x 1.13 O.D.	
26	736-0921		L-Wash. 1/2" Scr.*		54	736-0219		Hex Ins. L-Nut 1/2-20 Thd.	
27	747-0279		Tie Rod		55	712-0239		Hex Flange Brg. .630 I.D.	
28	13002		Axle Ass'y.—R.H.		56	748-0227		Pinion Gear	
29	731-0349		Dust Cover		57	748-0237		FI-Wash. 3/8" Dia.	
30	714-0142		Cotter Pin 3/16" Dia. x 1.50" Lg.*		58	736-0264		Hex Cent. L-Nut 5/16-24 Thd.	
31	736-0259		FI-Wash. 1.00" I.D. x 1.62" O.D.		59	712-0237		Spacer	
					60	13539			

14995-0

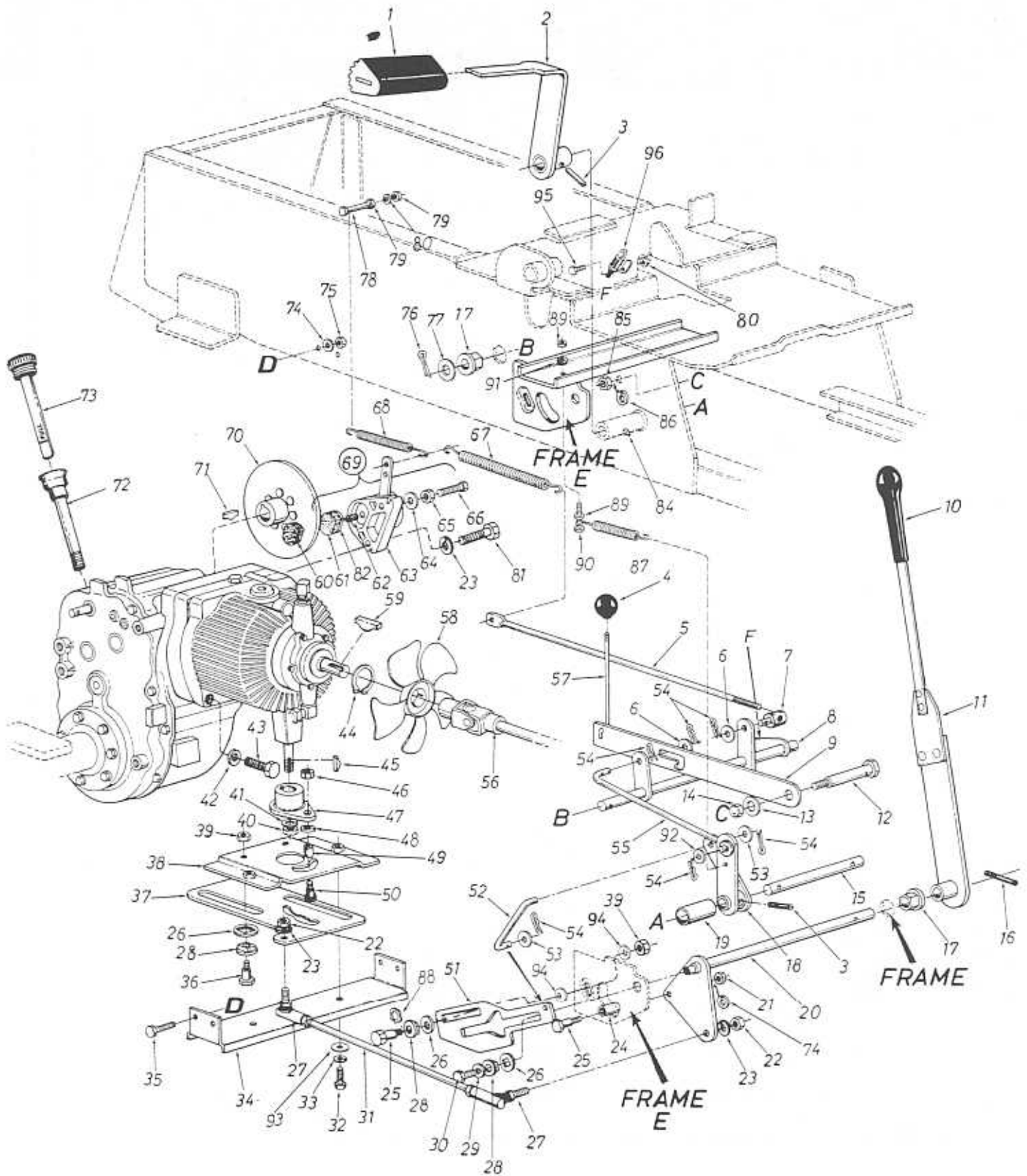


P.T.O. SYSTEM

PARTS LIST FOR MODEL 14995-0

REF. NO.	PART NO.	COLOR CODE	DESCRIPTION	NEW PART	REF. NO.	PART NO.	COLOR CODE	DESCRIPTION	NEW PART
1	—		Engine—18 H.P. Twin Cylinder		44	732-0262		Extension Spring (P.T.O. Clutch)	
2	722-0148		Mylar Foam Strip		45	710-0253		Hex Scr. 3/8-16 x 1.00" Lg.*	
3	710-0642		Hex Wash. Hd. Self Tap Scr. 1/4-20 x .75" Lg.		46	736-0169		L-Wash. 3/8" Scr.*	
4	13590		Belt Guard		47	710-0253		Hex Scr. 3/8-16 x 1.00" Lg.*	
5	712-0798		Hex Nut 3/8-16 Thd.*		48	736-0169		L-Wash. 3/8" Scr.*	
6	736-0169		L-Wash. 3/8" Scr.*		49	712-0798		Hex Nut 3/8-16 Thd.*	
7	710-0601		Hex Wash. Hd. Self Tap Scr. 5/16-18 x .75" Lg.		50	710-0502		Hex Wash. Hd. Self Tap Scr. 3/8-16 x 1.25" Lg.	
8	13554		P.T.O. Support Brkt.		51	746-0341		P.T.O. Control Cable	
9	714-0101		Hair Pin Cotter 1/2" Dia.		52	710-0599		Hex Wash. Hd. Self Tap Scr. 1/4-20 x .50"	
10	736-0133		Fl-Wash. .38" I.D. x 1.25 O.D. x .10 Thk.		53	747-0211		P.T.O. Handle	
11	736-0169		L-Wash. 3/8" Scr.*		54	720-0175		Ball Knob	
12	712-0798		Hex Nut 3/8-16 Thd.*		55	13587		P.T.O. Actuator Lever Ass'y.	
13	712-0798		Hex Nut 3/8-16 Thd.*		56	736-0288		Fl-Wash. .312" I.D. x 1.620" O.D. x .060	
14	736-0133		Fl-Wash. .38 I.D. x 1.25" O.D. x .10 Thk.		57	710-0599		Hex Wash. Hd. Self Tap Scr. 1/4-20 x .50" Lg.	
15	13550		P.T.O. Idler Ass'y.		58	751-0242		Muffler Ass'y. Comp.—R.H.	
16	711-0598		Idler Adapter		59	717-0402		Universal Joint Ass'y. Comp.	
17	748-0271		Pulley Spacer		60	736-0264		Fl-Wash. .312" I.D. x .630" O.D. x .063	
18	756-0312		1/2" V-Pulley 4.75" O.D. (Engine)		61	712-0267		Hex Nut 5/16-18 Thd.*	
19	736-0217		L-Wash. 3/8" Scr. H.D.		62	13722		Shroud Outer—R.H.	
20	710-0427		Hex Scr. 3/8-16 x 2.00" Lg.*		63	710-0599		Hex Wash. Hd. Self Tap Scr. 1/4-20 x .50" Lg.	
21	736-0133		Fl-Wash. .38" I.D. x 1.25 O.D. x .010 Thk.		64	710-0356		Sq. Hd. Set Scr. 5/16-18 x .50" Lg. (Cup Point)	
22	710-0937		Hex Scr. 3/8-16 x 2.50" Lg.*		65	714-0114		Sq. Key 1/4" x 1/4" x 2.00" Lg.	
23	711-0306		Flat Idler Pulley		66	710-0751		Hex Wash. Hd. Scr. 1/4-20 x 5/8" Lg.—Grade 5	
24	756-0309		1/2" V-Pulley 7.00" O.D. (P.T.O.)		67	710-0224		Hex "AB" Tap Scr. #10 x .50" Lg.	N
25	716-0127		Snap Ring		68	13720		Shroud Cover—R.H.	
26	754-0234		"V"-Belt 1/2" x 41" Lg. (P.T.O.)		69	710-0157		Hex Scr. 5/16-24 x .75" Lg.*	
27	710-0937		Hex Scr. 3/8-16 x 2.50" Lg.*		70	736-0119		L-Wash. 5/16" Scr.*	
28	736-0133		Fl-Wash. .38" I.D. x 1.25" O.D. x .010		71	13723		Shroud Support Brkt.	
29	750-0374		Spacer .375" I.D. x .62" O.D. x 1.830 Lg.		72	13719		Shroud Cover—L.H.	
30	710-0224		Hex "B" Tap Scr. #10 x .50" Lg.		73	13721		Shroud Outer—L.H.	
31	13546		P.T.O. Cup		74	731-0466		Spring Cover Tubing (P.T.O. Clutch)	
32	13542		P.T.O. Belt Guard Ass'y.		75	13714		Shroud Inner Ass'y.—L.H.	
33	710-0601		Hex Wash. Self Tap Scr. 5/16-18 x .75		76	13717		Shroud Inner Ass'y.—R.H.	
34	714-0154		#91 Hi-Pro Key		77	725-0530		Solenoid	
35	710-0528		Hex Scr. 5/16-18 x 1.25" Lg.*		78	710-0289		Hex Scr. 1/4-20 x 1/2" Lg.	
36	712-0267		Hex Nut 5/16-18 Thd.*		79	725-0459		Circuit Breaker	
37	712-0267		Hex Nut 5/16-18 Thd.*		80	710-0351		Truss Mach. Scr. #10 x .50" Lg.	
38	736-0119		L-Wash. 5/16" Scr.*		81	725-0277		Safety Switch	
39	13553		P.T.O. Brg. Retainer Brkt.		82	736-0329		L-Wash. 1/4" Scr.*	
40	741-0242		1.00" Dia. Brg. w/Flangette		83	751-0241		Muffler Ass'y. Comp.—L.H. (Not Shown)	
41	716-0127		Snap Ring						
42	710-0451		Carr. Bolt 5/16-18 x .75" Lg.*						
43	738-0395		Spline Shaft						

14995-0

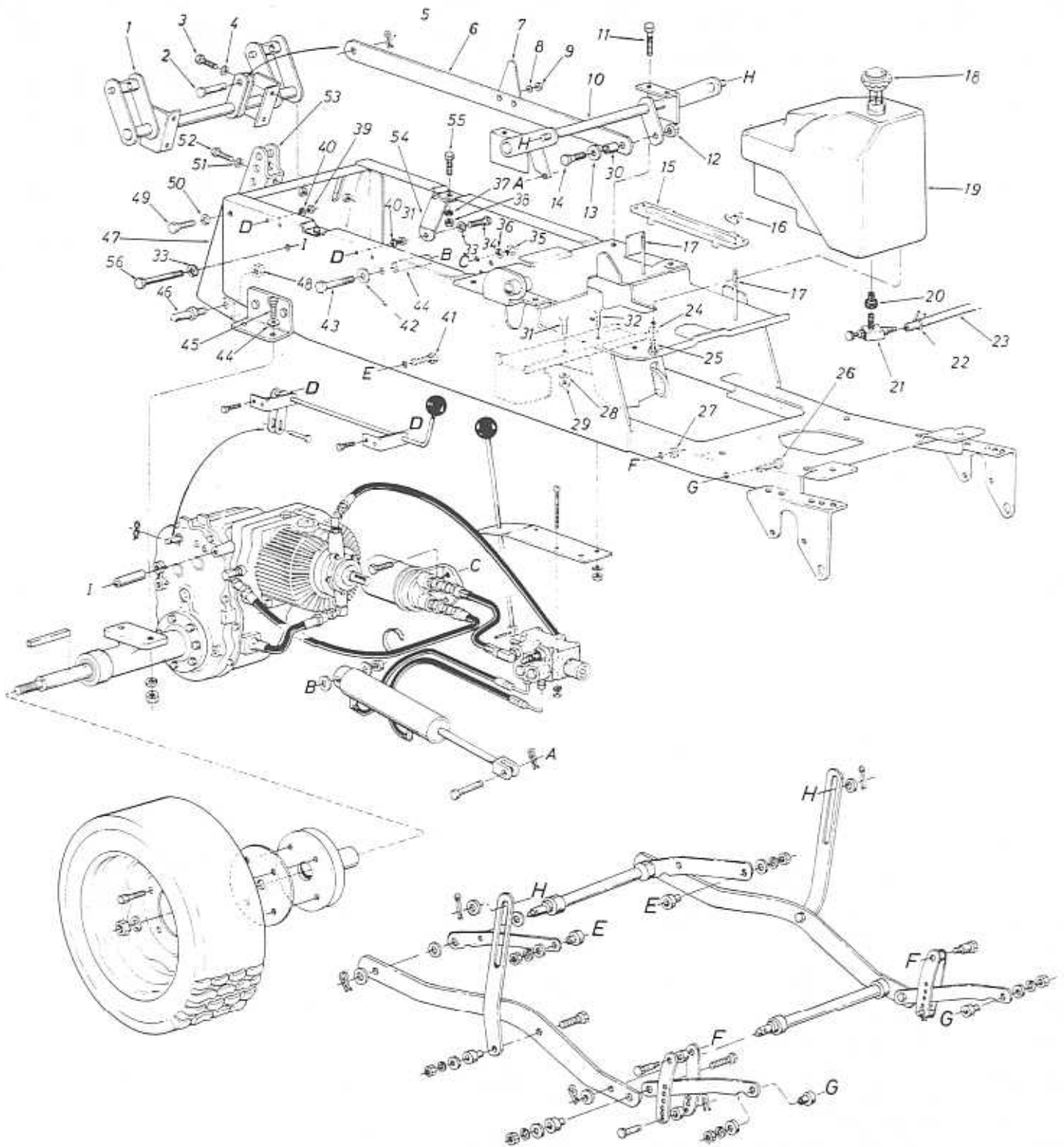


CONTROL LINKAGE

PARTS LIST FOR MODEL 14995-0

REF. NO.	PART NO.	COLOR CODE	DESCRIPTION	NEW PART	REF. NO.	PART NO.	COLOR CODE	DESCRIPTION	NEW PART
1	735-0189		Foot Pad		49	741-0154		Needle Brg. .31" I.D. x .50" O.D. x .437" Lg.	
2	13080		Foot Pedal Brkt. Ass'y.— R.H.		50	710-0491		Shld. Scr. .31 Dia. x .500 (Socket Head)	
3	715-0114		Spring Pin Spiral 1/4" Dia. x 1.50" Lg.*		51	13556		Neutral Control Slide	
4	720-0166		Ball Knob—Brake		52	747-0287		Neutral Control Rod	
5	747-0283		Brake Rod		53	736-0264		FI-Wash. .312 I.D. x .630 O.D. x .063	
6	736-0101		FI-Wash. .375" I.D. x 1.00" O.D. x .030		54	714-0104		Hair Pin Cotter	
7	711-0198		Ferrule		55	13702		Brake Link Rod Ass'y.	
8	13548		Brake Transfer Shaft Ass'y.		56	717-0402		Universal Joint Ass'y. Comp.	
9	13523		Parking Brake Cam						
10	720-0143		Grip		57	747-0282		Parking Brake Link	
11	13787		Control Arm Ass'y. Comp.		58	731-0317		Fan Ass'y.	
12	738-0186		Shld. Scr. .62 Dia. x 2.75" Lg.		59	714-0388		#61 Hi-Pro Key 3/16 x 5/8" Dia.	
13	736-0187		FI-Wash. .460 I.D. x 1.24 O.D. x .06		60	HU-24-13772		Lining—Brake	
14	712-0222		Push Speed Nut for .625 Dia. Shaft		61	HU-24-13772		Lining—Brake	
15	738-0402		Brake Pivot Shaft		62	HU-39-13774		Actuator Pin	
16	715-0114		Spring Pin Spiral 1/4" Dia. x 1.50" Lg.*		63	HU-39-14232		Housing with Lever and Pin Washer	
17	741-0225		Hex Flange Brg. Plastic .62 I.D.		64	HU-20-9764		Nut	
18	13505		Brake Hub Ass'y.		65	HU-37-13818		Nut	
19	750-0181		Spacer		66	HU-39-13775		Adjustment Pin	
20	13565		Control Handle Ass'y.		67	732-0260		Extension Spring .59 O.D. x 6.5" Lg.	
21	712-0158		Hex Cent. L-Nut 5/16-18 Thd.		68	732-0157		Extension Spring (Brake Return)	
22	712-0241		Hex Nut 3/8-24 Thd.*		69	761-0170		Disc Brake Ass'y. Comp.	
23	736-0169		L-Wash. 3/8" Scr.*		70	761-0142		Brake Disc Ass'y.	
24	748-0270		Spacer		71	714-0137		Hi-Pro Key 3/16 x 3/4" Dia.	
25	738-0138		Shoulder Bolt		72	751-0239		Dipstick Tube Ass'y.	
26	736-0303		FI-Wash. .63 Sq. Hole x 1.25" O.D.		73	751-0240		Dipstick Ass'y.	
27	723-0156		Ball Joint Ass'y. 3/8-24 Thd.		74	736-0119		L-Wash. 5/16" Scr.	
28	748-0180		Pivot Slide		75	712-0267		Hex Nut 5/16-18 Thd.*	
29	736-0159		FI-Wash. .312 I.D. x .88 O.D.		76	714-0115		Cotter Pin 1/8" Dia. x 1.00" Lg.*	
30	710-0643		Hex Ins. Scr. 5/16-18 x 1.00" Lg.		77	736-0156		FI-Wash. .635" I.D. x 1.12 O.D. x .090 Thk.	
31	747-0296		Tie Rod		78	710-0102		Hex Scr. 1/4-20 x 2.50" Lg.*	
32	710-0216		Hex Scr. 3/8-16 x .75" Lg.*		79	712-0287		Hex Nut 1/4-20 Thd.*	
33	736-0169		L-Wash. 3/8" Scr.*		80	736-0329		L-Wash. 1/4" Scr.*	
34	13562		Support Channel		81	710-0342		Hex Scr. 3/8-16 x 1.25" Lg.*	
35	710-0118		Hex Scr. 5/16-18 x .75" Lg.*		82	HU-25-13808		Backing Plate	
36	738-0141		Shld. Scr. .437" Dia. x .350		84	737-0146		Grease Fitting	
37	13555		Cam Plate		85	712-0240		Hex Nut 7/16-20 Thd.*	
38	13557		Slide Mtg. Plate Ass'y.		86	736-0171		L-Wash. 7/16" Scr.*	
39	712-0158		Hex Cent. L-Nut 5/16-18 Thd.		87	732-0121		Extension Spring	
40	712-0206		Hex Nut 1/2-13 Thd.*		88	736-0141		Wave Wash.	
41	736-0921		L-Wash. 1/2" Scr.*		89	712-0287		Hex Nut 1/4-20 Thd.*	
42	736-0300		FI-Wash. .385 I.D. x .87 O.D. x .060		90	710-0106		Hex Scr. 1/4-20 x 1.25" Lg.*	
43	710-0492		Socket Hd. Scr. 3/8-16 x 2.75" Lg.		91	736-0329		L-Wash. 1/4" Scr.*	
44	716-0123		Snap Ring		92	736-0101		FI-Wash.	
45	714-0131		#5 Hi-Pro Key 1/8" x 5/8" Dia.		93	736-0427		FI-Wash. .38 I.D. x 1.25 O.D.	
46	712-0107		Hex Cent. L-Nut 1/4-20 Thd.		94	736-0242		Bell. Wash.	
47	13559		Pintle Plate Ass'y.		95	710-0289		Hex Scr. 1/4-20 x 1/2" Lg.	
48	736-0142		FI-Wash. .281 I.D. x .50 O.D. x .063		96	725-0577		Safety Switch	

14995-0

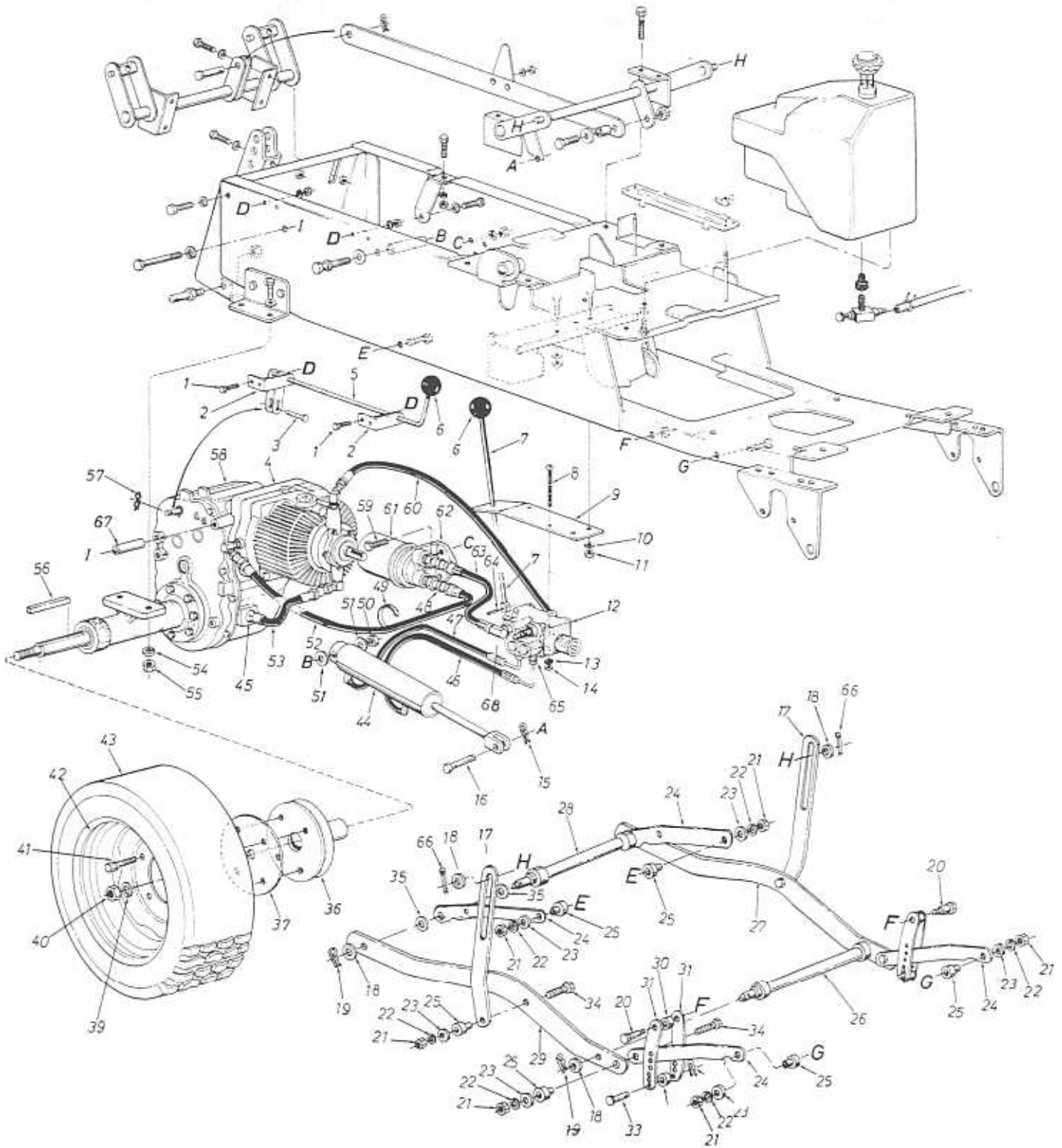


FRAME

PARTS LIST FOR MODEL 14995-0

REF. NO.	PART NO.	COLOR CODE	DESCRIPTION	NEW PART	REF. NO.	PART NO.	COLOR CODE	DESCRIPTION	NEW PART
1	13135		Rear Lift Shaft Ass'y.		29	712-0798		Hex Nut 3/8-16 Thd.*	
2	711-0654		Clevis Pin		30	750-0336		Push Bar Sleeve	
3	710-0514		Hex Scr. 3/8-16 x 1.00" Lg. Grade 5		31	710-0253		Hex Scr. 3/8-16 x 1.00 Lg. Grade 5	
4	736-0217		L-Wash. 3/8" Scr. H.D.		32	710-0118		Hex Scr. 5/16-18 x .75" Lg.*	
5	714-0470		Cotter Pin 1/8" Dia. x 1.25" Lg.*		33	736-0921		L-Wash. 1/2" Scr.*	
6	13709		Push Bar Ass'y.		34	710-0474		Hex Scr. 1/2-13 x 1.25" Lg.*	
7	13535		Position Indicator		35	712-0267		Hex Nut 5/16-18 Thd.*	
8	736-0119		L-Wash. 5/16" Scr.*		36	736-0119		L-Wash. 5/16" Scr.*	
9	712-0267		Hex Nut 5/16-18 Thd.*		37	736-0217		L-Wash. 3/8" Scr. H.D.	
10	13501		Lift Shaft Ass'y.		38	712-0798		Hex Nut 3/8-16 Thd.*	
11	710-0649		Hex Self Tap Scr. 3/8-24 x .88" Lg.		39	712-0287		Hex Nut 1/4-20 Thd.*	
12	712-0239		Hex Cent. L-Nut 1/2-20 Thd.		40	736-0329		L-Wash. 1/4" Scr.*	
13	736-0179		Fl-Wash.		41	710-0459		Hex Scr. 3/8-24 x 1.50" Lg.*	
14	710-0504		Hex Scr. 1/2-20 x 1.25" Lg.*		42	736-0179		Fl-Wash. .50" I.D. x 1.25 O.D.	
15	12614		Battery Hold Down Brkt.		43	710-0515		Hex Scr. 1/2-20 x 3 1/2" Lg. Grade 5	
16	712-0113		Wing Nut 1/4-20 Thd.		44	750-0443		Spacer for Cylinder	
17	711-0222		Battery Hold Down Rods		45	710-0347		Hex Scr. 3/8-16 x 1.75" Lg.*	
18	751-0226		Gas Tank Cap		46	711-0497		Link Clevis Pin	
19	751-0243		Gas Tank Ass'y.		47	13196		Hitch Plate Ass'y.	
20	735-0149		Bushing		48	712-0923		Hex Cent. L-Nut 5/8-18 Thd.	
21	751-0171		Fuel Shut-Off Valve with Screen		49	710-0216		Hex Scr. 3/8-16 x .75" Lg. Grade 5	
22	726-0184		Gas Line Clamp 7/16"		50	736-0169		L-Wash. 3/8" Scr.	
23	731-0470		Gas Line 30" Lg.		51	736-0217		L-Wash. 3/8" Scr. H.D.	
24	736-0270		Bell. Wash.		52	710-0216		Hex Scr. 3/8-16 x .75" Lg. Grade 5	
25	710-0289		Hex Scr. 1/4-20 x .38" Lg.*		53	13026		Hitch Brkt.	
26	710-0459		Hex Scr. 3/8-24 x 1.50" Lg.*		54	13530		Transmission Brace	
27	712-0798		Hex Nut 3/8-16 Thd.*		55	710-0253		Hex Scr. 3/8-16 x 1.00" Lg.*	
28	736-0169		L-Wash. 3/8" Scr.*		56	710-0490		Hex Scr. 1/2-13 x 2.75" Lg.*	

14995-0

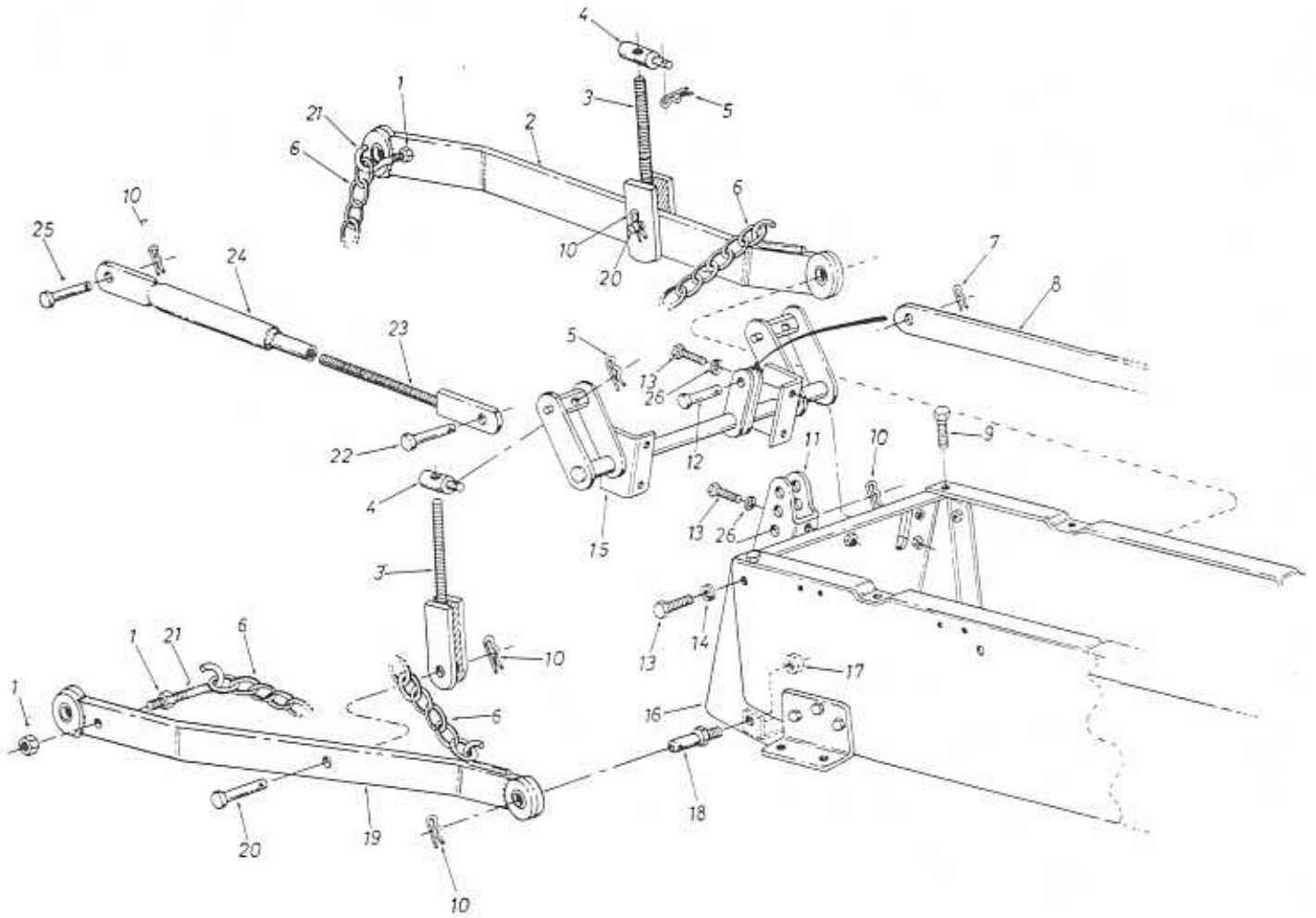


HYDRAULIC SYSTEM

PARTS LIST FOR MODEL 14995-0

REF. NO.	PART NO.	COLOR CODE	DESCRIPTION	NEW PART	REF. NO.	PART NO.	COLOR CODE	DESCRIPTION	NEW PART
1	710-0237		Hex Scr. 1/4-20 x .75" Lg.*		39	1541-006		L-Wash. 3/4" Scr.*	
2	13524		Hi-Lo Speed Control Brkt.		40	712-0288		Hex Ins. L-Nut 3/4-16 Thd.	
3	711-0684		Clevis Pin 1/4" Dia.		41	710-0470		Wheel Lug Bolt 1/2-20 x 1.50" Lg.	
4	717-0344		Hydrostatic Pump Comp.						
5	13532		Hi-Lo Control Handle Ass'y.		42	734-0935		Rear Wheel Rim Only	
6	720-0175		Ball Knob		43	734-0934		Rear Wheel Ass'y. Comp. 27 x 9.50	
7	13531		Cylinder Control Handle Ass'y.			734-0397		Tire Only 27 x 9.50	
8	710-0105		Truss Mach. Scr. 1/4-20 x 3.00" Lg.*		44	727-0159		Hydraulic Cylinder	
9	13534		Valve Base Plate		45	727-0220		7/8-14 UNF-2A Thd. 5/8 Tube Fitting	
10	736-0119		L-Wash. 5/16" Scr.*		46	727-0219		Valve to Cylinder Hose 20" Lg.	
11	712-0267		Hex Nut 5/16-18 Thd.*		47	727-0219		Valve to Cylinder Hose 20" Lg.	
12	727-0200		Valve Ass'y. Comp.		48	727-0222		Bushing Reducer 1/2-14 NPTF to 3/8-18 NPTF	
13	736-0329		L-Wash. 1/4" Scr.*		49	726-0178		Cable Tie	
14	712-0287		Hex Nut 1/4-20 Thd.*		50	712-0922		Hex Jam Nut 1/2-20 Thd.	
15	714-0101		Hairpin Cotter 1/2" Dia.		51	736-0179		FI-Wash. .50" I.D. x 1.25 O.D.	
16	711-0140		Clevis Pin 1/2" Dia.		52	727-0217		Filter Return Hose 24" Lg.	
17	13570		Deck Link		53	749-0309		Pump Tube Ass'y.	
18	736-0156		FI-Wash. .62" I.D. x 1.12" O.D.		54	736-0217		L-Wash. 3/8" Scr.*	
19	714-0147		Hairpin Cotter		55	712-0798		Hex Nut 3/8-16 Thd.*	
20	738-0148		Shld. Scr. .498 Dia. x .66		56	714-0114		Sq. Key 1/4" x 1/4" x 2.00" Lg.*	
21	712-0241		Hex Nut 3/8-24 Thd.*		57	714-0104		Hairpin Cotter 1/4" Dia.	
22	736-0217		L-Wash. 3/8" Scr. H.D.		58	—		Peerless Transaxle (See Breakdown on Page 26)	
23	736-0258		FI-Wash. .38 I.D. x 1.00" O.D.		59	710-0528		Hex Scr. 5/16-18 x 1.25" Lg.*	
24	13151		Lift Arm		60	727-0167		Pump to Valve Hose	
25	748-0241		Shoulder Spacer		61	727-0162		Fram Filter Ass'y. PH-16	
26	13729		Cross Shaft Ass'y. Front		62	727-0163		Filter Base	
27	13139		Lift Arm Link		63	727-0218		Valve to Filter Hose 8.38" Lg.	
28	13728		Cross Shaft Ass'y. Rear		64	715-0129		Spring Pin Spiral 1/8" Dia. x .81" Lg.	
29	13139		Lift Arm Link		65	727-0187		Flare Adapter	
30	711-0146		Collar .50" I.D. x 1.00" O.D. x .320 Thk.		66	714-0115		Cotter Pin 1/8" Dia. x 1.00" Lg.*	
31	13545		Index Brkt.		67	750-0417		Spacer	
32	711-0242		Spacer .38" I.D. x 1.00" O.D. x .320		68	727-0175		Adapter 9/16-18 to 9/16-18	
33	711-0173		Clevis Pin 3/8" Dia.						
34	710-0459		Hex Scr. 3/8-24 x 1.50" Lg. Grade 5						
35	736-0167		FI-Wash. .62" I.D. x 1.25" O.D. x .020						
36	13572		Rear Wheel Hub Ass'y.						
37	13574		Hub Plate						

14995-0



THREE POINT HITCH

PARTS LIST FOR MODEL 14995-0

REF. NO.	PART NO.	COLOR CODE	DESCRIPTION	NEW PART
1	712-0290		Hex Cent. L-Nut 7/16-14 Thd.	N
2	13130		Draft Bar Ass'y.—L.H.	
3	13138		Clevis Screw Ass'y.	
4	711-0649		Clevis Pin	
5	714-0147		Hitch Pin Clip	
6	713-0148		Chain 20 Links	
7	714-0470		Cotter Pin 1/8" Dia. x 1.25" Lg.*	
8	13709		Push Bar Ass'y.	
9	710-0216		Hex Scr. 3/8-16 x .75" Lg.*	
10	714-0117		Hairpin Cotter	
11	13026		Hitch Brkt.	
12	711-0654		Clevis Pin	
13	710-0216		Hex Scr. 3/8-16 x .75" Lg.*	
14	736-0169		L-Wash. 3/8" Scr.*	
15	13135		Rear Lift Shaft Ass'y.	
16	13196		Hitch Plate Ass'y.	
17	712-0923		Hex Cent. L-Nut 5/8-18 Thd.	
18	711-0497		Link Clevis Pin	
19	13129		Draft Bar Ass'y.—R.H.	
20	711-0225		Clevis Pin .63 Dia. x 1.66" Lg.	
21	711-0639		Hitch Chain Hook	
22	711-0299		Clevis Pin .63 Dia. x 2.4" Lg.	
23	711-0636		Clevis Screw	
24	749-0238		Clevis Tubing	
25	711-0299		Clevis Pin .63 Dia. x 2.4" Lg.	
26	736-0217		L-Wash. 3/8" Scr. H.D.	

YARD-MAN

PARTS INFORMATION

POWER EQUIPMENT PARTS AND SERVICE

Parts and service for all YARD-MAN manufactured power equipment are available through the authorized service distributors listed below. All orders should specify the model number of your unit, parts numbers, description of parts and the quantity of each part required. DO NOT SEND PARTS ORDER TO FACTORY. Contact distributor for name of local dealer.

ALABAMA	DOTHAN
Auto Elect. Co. of Ala. Inc.	1301 Montgomery Hwy. 36301
B.M. Ingram Inc.	FLORENCE
ARKANSAS	705 S. Seminary 35630
Power Edge Corp.	MALVERN
CALIFORNIA	227 W. Page Ave. 72104
Quality Mower Dist.	GARDENA
Mower Sales and Service.	15100 Crenshaw Blvd. 90249
Pearson's Lawn Mower	NORTHBRIDGE
Lawnmower Supply Co.	8541 Reseda Blvd. 91324
Impossible Equipment Co. Inc.	ORANGE
COLORADO	169 S. Hewes St. 92669
Stickney's	SAN BERNARDINO
Turf Equip. and Parts	25608 E. Baseline 92410
FLORIDA	WEST SACRAMENTO
Moz-All of Florida, Inc.	1800 Enterprise Blv. 95691
Fadco Dist., Inc.	STERLING
Lovell Brothers	101 Main St. 80751
GEORGIA	WHEAT RIDGE
Henderson Equipment Co.	8035 West 44th St. 80033
ILLINOIS	CORAL GABLES
Van Horn Sales	365 Greco 33146
Keen Edge	JACKSONVILLE
INDIANA	4909 Victor St. 32206
Lynn Koehlinger Co.	OCALA
KENTUCKY	320 N. W. 10th St. 32670
J.A. Stevens Mower Co.	DUBLIN
Cayce Mill Supply Co.	Rt. 19 S. Glenwood Rd.
LOUISIANA	P.O. Box 2054 31021
S & S Distributing Co.	CERRO GORDO
MAINE	R.R. #1 61818
M.L. Coffin Co.	LYONS
MASSACHUSETTS	8615 Ogden Ave. 60534
Crandall-Hicks Co.	FORT WAYNE
MICHIGAN	3675 North Wells-Box 96. 46801
Ideal Mower Sales, Inc.	HEBRON
Jac Van Dist., Inc.	P.O. Box 38 41048
Factory Branch	HOPKINSVILLE
MINNESOTA	505 East First St. 42240
Power Tools Inc.	BATON ROUGE
	1307 Main St. 70821
	BANGOR
	725 Broadway 04401
	SOUTHBORO
	Rt. #9 01772
	FERNDALE
	811 Woodward Heights 48220
	GRAND RAPIDS
	4350 Airwest S.E. 49508
	JACKSON
	440 East Prospect. 49203
	ST. PAUL
	3771 Sibley Memorial Hwy. 55122

BRIGGS & STRATTON, TECUMSEH AND PEERLESS PARTS AND SERVICE.

Briggs & Stratton, Tecumseh and Peerless parts and service should be handled by your nearest authorized engine service firm. Check the yellow pages of your telephone directory under the listing **Engines—Gasoline**, Briggs & Stratton or Tecumseh Lauson.

MISSOURI	ROLLA
Ozark Equip. Co., Inc.	Hwy. 63 & Black St.-Box 784. 65401
MONTANA	BILLINGS
Parker Montana Co.	2100 Sixth Ave. 59101
NEBRASKA	OMAHA
K & K Co. Inc.	711 S. 15th St. 68102
NEW JERSEY	PARSIPPANY
Elmco Dist., Inc.	2 Eastmans Rd. 07054
NEW MEXICO	ALBUQUERQUE
Southwest Toro, Inc.	3700 Edith Blvd., N.E.
	P.O. Box 6307. 87107
NEW YORK	SYRACUSE
Morris Dist., Inc.	1153 W. Fayette St. 13201
NORTH CAROLINA	WINSTON-SALEM
Carswell Dist., Co.	3750 N. Liberty St.-Box 4193 North Station. 27105
OHIO	CARROLL
Stebe's Inc.	P.O. Box 366 43112
Tecca Dist., Co.	CLEVELAND
OKLAHOMA	4747 Manufacturing Ave. 44135
Moore Cycle & Supply	OKLAHOMA CITY
OREGON	1537 W. Main St. 73106
R.M. Wade & Co.	BEAVERTON
PENNSYLVANIA	10025 S.W. Allen Blvd. 97005
Ronconi Equip. Inc.	HATFIELD
Valley Equip. Dist.	2867 Sandstone Dr. 19440
TENNESSEE	MT. PLEASANT
Mitchell-Powers Hdwe. Co.	203 N. Depot St. 15666
House Hasson Hdwe.	BRISTOL
Master Repair Service.	5th St. Extension. 37620
Graves Dist. Co., Inc.	KNOXVILLE
TEXAS	757 Western Ave. 37917
Higginbotham Bros.	2000 Western Ave. 37921
Southwest Toro Inc.	UNION CITY
Woodson Sales Corp.	1318 Stad Ave. 38261
UTAH	COMANCHE
Powered Products	203 W. Central & Mary 76442
VIRGINIA	EL PASO
Bluefield Supply Co.	1628 Myrtle P.O. Box 51. 79940
Ronconi Equip. Inc.	FORT WORTH
Bailey-Spencer Hardware Co.	1702 N. Sylvania 76111
Universal Tractor Equip. Corp.	BOUNTIFUL
	485 N. 500W 84010
	BLUEFIELD
	St. Rte. 102, Box 112. 24605
	LORTON
	8815 Telegraph Rd. 22079
	LYNCHBURG
	1016-26 Commerce St. 24505
	RICHMOND
	Box 5489 928 N. Meadow St. 23220
WASHINGTON	SEATTLE
R.M. Wade & Co.	3931 Leary Way N.W. 98107
CANADA	KITCHENER, ONTARIO
MTD Products.	97 Kent Ave. N2G4J1

WARRANTY PARTS AND SERVICE POLICY

The purpose of warranty is to protect the customer from defects in workmanship and materials, defects which are NOT detected at the time of manufacture. It does not provide for the unlimited and unrestricted replacement of parts. Use and maintenance are the responsibility of the customer. The manufacturer cannot assume responsibility for conditions over which it has no control. Simply put, if it's the manufacturer's fault, it's the manufacturer's responsibility; if it's the customer's fault, it's the customer's responsibility.

CLAIMS AGAINST THE MANUFACTURER'S WARRANTY INCLUDES

1. Replacement of Missing Parts on new equipment.
2. Replacement of Defective Parts within the warranty period.
3. Repair of Defects within the warranty period.

All claims MUST be substantiated with the following information:

1. **Model Number** of unit involved.
2. **Date** unit was purchased or first put into service.
3. **Date** of failure—Date Repaired.
4. **Nature** of failure—Correction.

Free Manuals Download Website

<http://myh66.com>

<http://usermanuals.us>

<http://www.somanuals.com>

<http://www.4manuals.cc>

<http://www.manual-lib.com>

<http://www.404manual.com>

<http://www.luxmanual.com>

<http://aubethermostatmanual.com>

Golf course search by state

<http://golfingnear.com>

Email search by domain

<http://emailbydomain.com>

Auto manuals search

<http://auto.somanuals.com>

TV manuals search

<http://tv.somanuals.com>