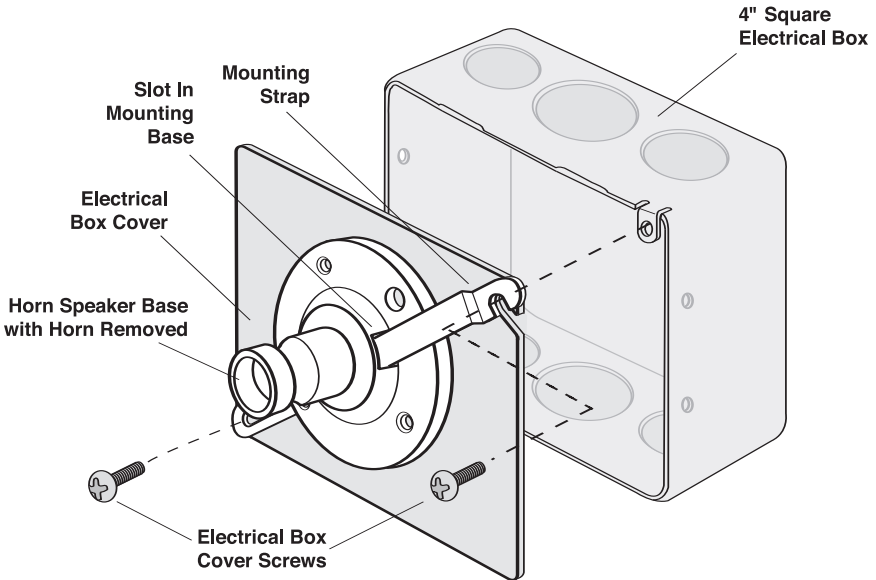




Horn Speaker Electrical Box Mounting Strap

Model HSES10

The HSES10 mounting strap permits mounting horn speakers to a 4" square electrical box with cover. Electrical box, cover, and screws are not included.



Specifications subject to change without notice.
© 2008 Bogen Communications, Inc.
54-2182-01A 0805

BOGEN[®]
COMMUNICATIONS, INC.

50 Spring Street, Ramsey, NJ 07446, U.S.A.
Tel. 201-934-8500, Fax: 201-934-9832, www.bogen.com

Free Manuals Download Website

<http://myh66.com>

<http://usermanuals.us>

<http://www.somanuals.com>

<http://www.4manuals.cc>

<http://www.manual-lib.com>

<http://www.404manual.com>

<http://www.luxmanual.com>

<http://aubethermostatmanual.com>

Golf course search by state

<http://golfingnear.com>

Email search by domain

<http://emailbydomain.com>

Auto manuals search

<http://auto.somanuals.com>

TV manuals search

<http://tv.somanuals.com>