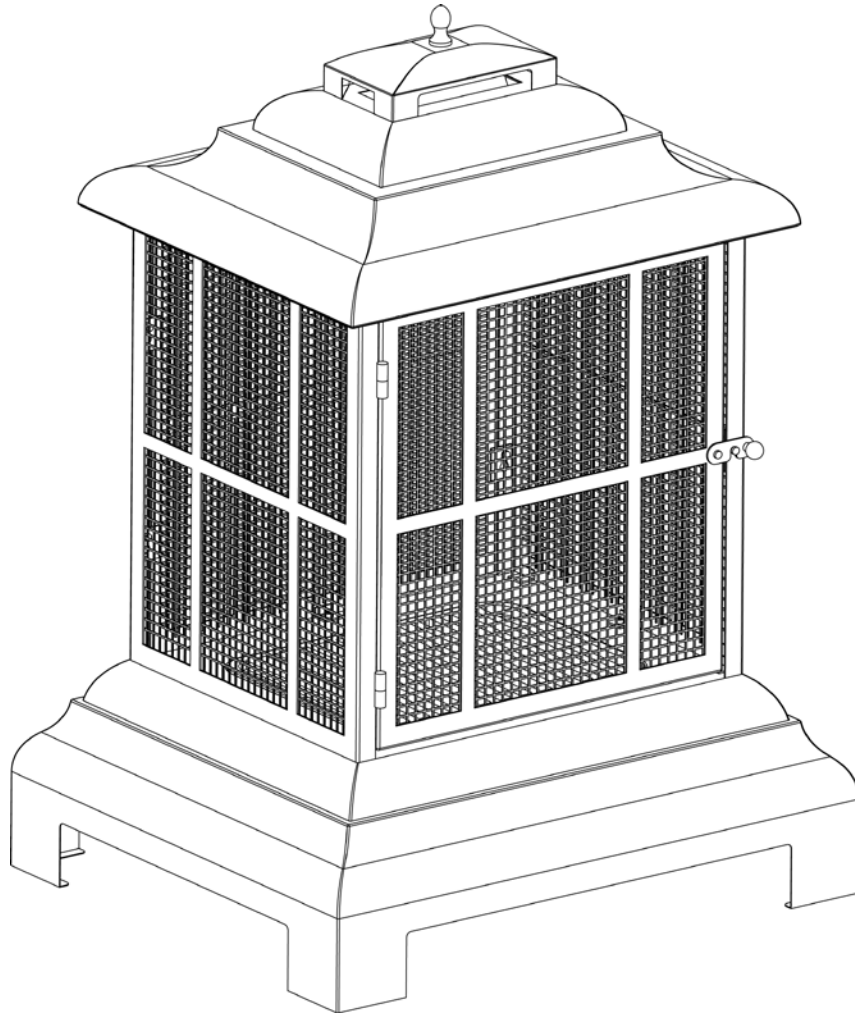


Outdoor Fireplace

Model No. WAF501C



 **WARNING**
FOR YOUR SAFETY:
For Outdoor Use Only
 (outside any enclosure)

 **WARNING**
FOR YOUR SAFETY:

- 1. Improper installation, adjustment, alteration, service or maintenance can cause injury or property damage.**
- 2. Read the installation, operation, and maintenance instructions thoroughly before installing or servicing this equipment.**
- 3. Failure to follow these instructions could result in fire or explosion, which could cause property damage, personal injury, or death.**

Save these instructions for future reference. If you are assembling this unit for someone else, give this manual to him or her to read and save for future reference.

Table of Contents

Important Safeguards	2
Exploded View & Hardware	3
Assembly Instructions	4
Operating Instructions	6
Lighting	6
Tending the Fire	6
Extinguishing	6
Cleaning and Care	6
Inspecting	6
Cleaning	6
Storing	6
Product Registration	6
Limited Warranty	6

Manufactured in China for:
 Blue Rhino Global Sourcing, LLC
 104 Cambridge Plaza Drive, Winston-Salem, NC 27104 USA
 1.800.762.1142, www.bluerhino.com

© 2006 Blue Rhino Global Sourcing, LLC. All Rights Reserved
 The Bullseye Design is a trademark of Target Brands, Inc. All Rights Reserved. Used under license.

WAF501C-OM-103 ES



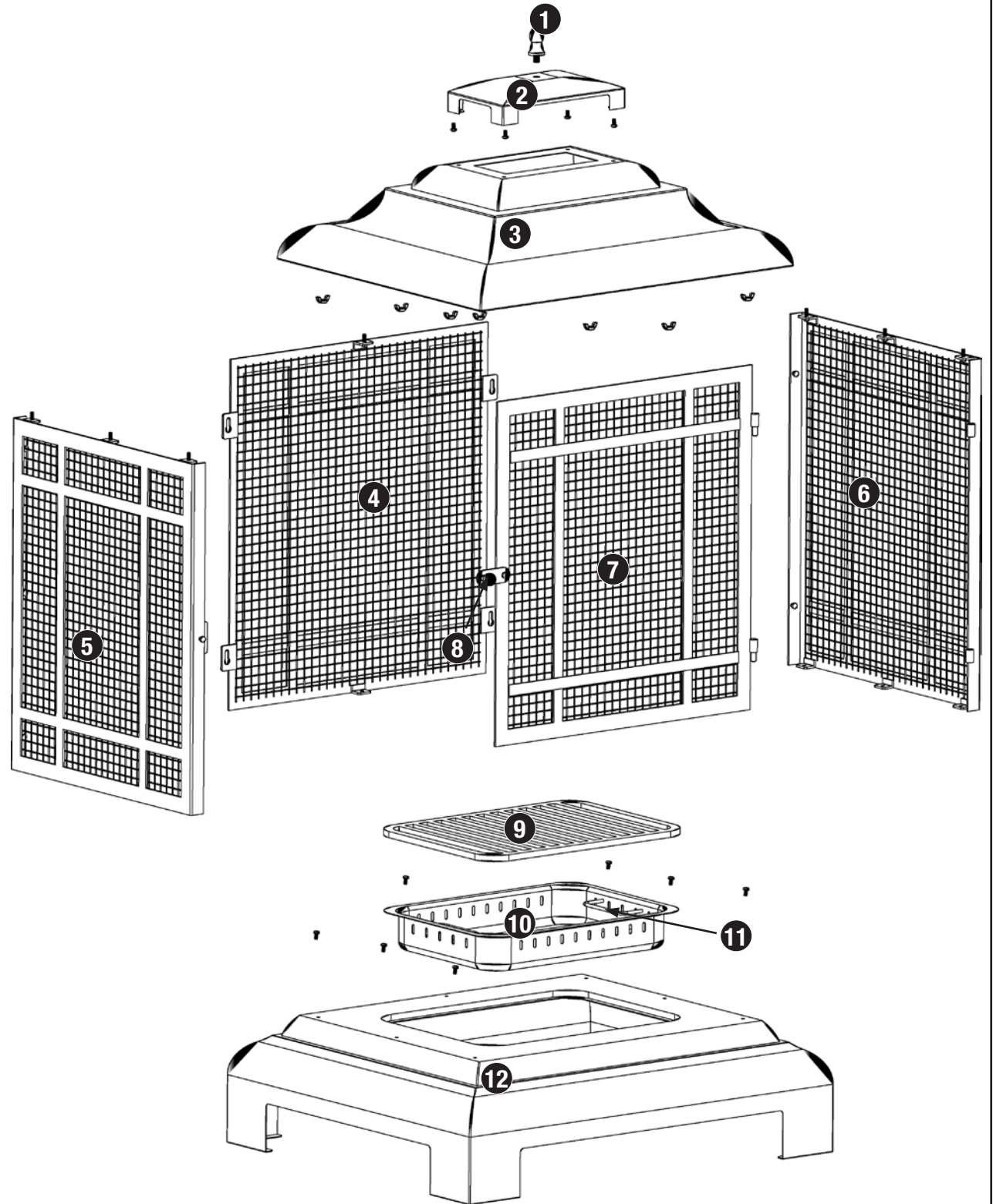
WARNING
FOR YOUR SAFETY

1. This appliance is for outdoor use only, and shall NOT be used in a building, garage, or any other enclosed area.
2. Do NOT use this outdoor fireplace for indoor heating. TOXIC carbon monoxide fumes can accumulate and cause asphyxiation.
3. This outdoor fireplace is NOT for commercial use.
4. This outdoor fireplace is NOT to be operated by children.
5. This outdoor fireplace is NOT to be used in or on boats or recreational vehicles.
6. Always use in accordance with all applicable local, state and national codes. Contact your local fire department for details on outdoor burning.
7. When using this outdoor fireplace, exercise the same precautions you would with any open fire.
8. Always use this outdoor fireplace on a hard, level non-combustible surface such as concrete, rock or stone. An asphalt or blacktop surface may not be acceptable for this purpose. Do NOT use on wooden decks.
9. The use of alcohol, prescription or non-prescription drugs may impair the consumer's ability to properly assemble or safely operate this outdoor fireplace.
10. Do NOT use this outdoor fireplace without reading the entire "Owner's Manual".
11. This outdoor fireplace is for use with dry, seasoned hardwood. It will burn hotter, more completely and create less smoke.
12. Do NOT burn charcoal briquets, lump charcoal, manufactured logs, driftwood, trash, leaves, paper, cardboard, plywood, painted or stained or pressure treated wood. Avoid using softwoods such as pine or cedar that can throw sparks.
13. Do NOT alter this outdoor fireplace in any manner.
14. Do NOT use this outdoor fireplace until it is COMPLETELY assembled and all parts are securely fastened and tightened.
15. Do NOT store or use gasoline or other flammable vapors or liquids in the vicinity of this or any other appliance.
16. Do NOT store or use an LP gas cylinder within 10 feet (3.05 m) of this outdoor fireplace while it is in operation.
17. Do NOT use this outdoor fireplace near automobiles, trucks, vans or recreational vehicles.
18. Do NOT use in an explosive atmosphere. Keep outdoor fireplace area clear and free from combustible materials, gasoline and other flammable liquids.
19. Do NOT use this outdoor fireplace under any overhead or near any unprotected combustible constructions. Avoid using near or under overhanging trees and shrubs.
20. Always empty this outdoor fireplace before each use. Leave a thin layer of ash to protect the bottom.
21. Do NOT wear flammable or loose clothing when operating this outdoor fireplace.
22. Do NOT use in windy conditions.
23. Do NOT use this outdoor fireplace unless spark guards are securely in place.
24. Do NOT use gasoline, kerosene, diesel fuel, lighter fluid or alcohol to light or relight fires.
25. Keep all electrical cords away from a hot fireplace.
26. All surfaces of this outdoor fireplace are hot when in operation. To avoid burns, do NOT touch fireplace until it has completely cooled unless you are wearing protective gear (Potholders, gloves, BBQ mittens, hot pads & etc.). Never touch ashes or coals to see if they are hot.
27. Do NOT leave a lit outdoor fireplace unattended, especially around children and pets.
28. Do NOT attempt to move or store this outdoor fireplace until all ashes and coals are completely extinguished.
29. Do NOT remove ashes or coals until they are completely and fully extinguished.
30. Use heat-resistant gloves or hot pads when contacting handles and air vents.
31. Use long, sturdy fireplace tools when adding or moving logs.
32. Do NOT place wood directly into bottom of the outdoor fireplace. Place wood only on the wood grate. Do NOT load firewood into the chimney.
33. Do NOT overload the fireplace. Do not add additional firewood until the fire burns down. NOTICE: If any portion of the base, hood or spark guards of this outdoor fireplace are glowing red it is overloaded.
34. Make sure all doors can completely close before starting a fire.
35. Do NOT lean over this outdoor fireplace when lighting or when in use.
36. Do NOT place hot fireplace tools onto combustible surfaces such as grass, wooden deck or furniture.
37. Avoid breathing smoke from the fire and avoid getting it into your eyes.
38. This outdoor fireplace should be thoroughly inspected and cleaned on a regular basis.
39. After a period of storage and/or non-use, check for signs of damage and creosote build-up. Do NOT operate until necessary repairs and/or cleanup are executed.
40. Do NOT use pressure washer to clean.
41. Use only Blue Rhino Global Sourcing, LLC factory authorized parts. The use of any part that is NOT factory authorized can be dangerous and will void your warranty. Contact 1.800.762.1142.
42. Deaths, serious injury or damage to property may occur if the above is not followed exactly.

Contact 1.800.762.1142 for assistance. Do not return to place of purchase.

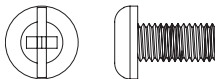
Exploded View

1. Finial
 2. Top
 3. Hood
 4. Back Spark Guard
 5. Right Spark Guard
 6. Left Spark Guard
 7. Spark Guard Door
 8. Handle*
 9. Wood Grate
 10. Ash Receiver
 11. Ash Receiver Handle*
 12. Base
- *Pre-assembled.



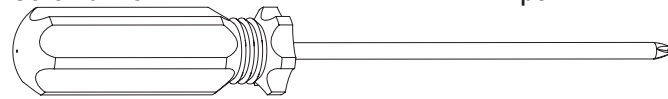
Hardware

- A. Screw 11 pcs
M5x10 Black Nickel Plated Phillips Truss Head Screw



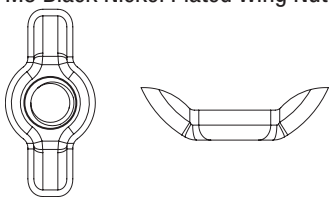
Tool Needed

- C. Screwdriver** 1 pc



** Not shown at actual size.

- B. Wing Nut 7 pcs
M5 Black Nickel Plated Wing Nut



Assembly Instructions

DO NOT RETURN PRODUCT TO STORE.

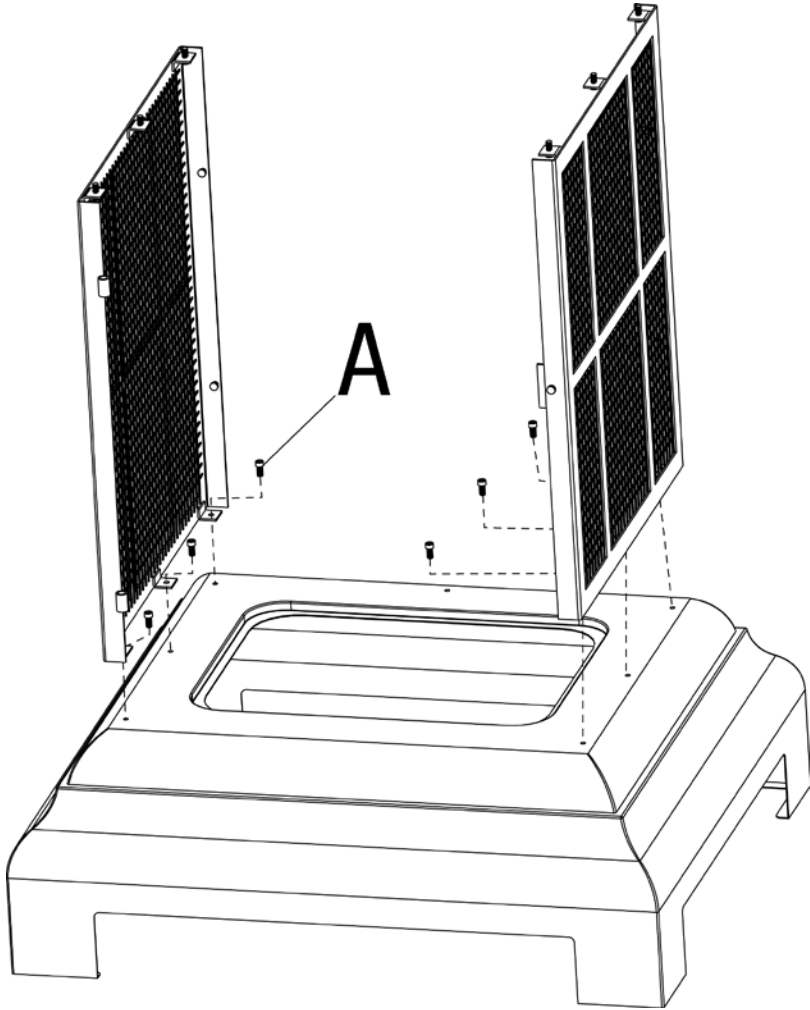
For assistance call 1.800.762.1142 toll free. Please have your owner's manual and serial number available for reference.

For Easiest Assembly:

- To avoid losing any small components or hardware, assemble your product on a hard level surface that does not have cracks or openings.
- Clear an area large enough to layout all components and hardware.
- When applicable, tighten all hardware connections by hand first. Once the step is completed, go back and fully tighten all hardware.
- Follow all steps in order to properly assemble your product.

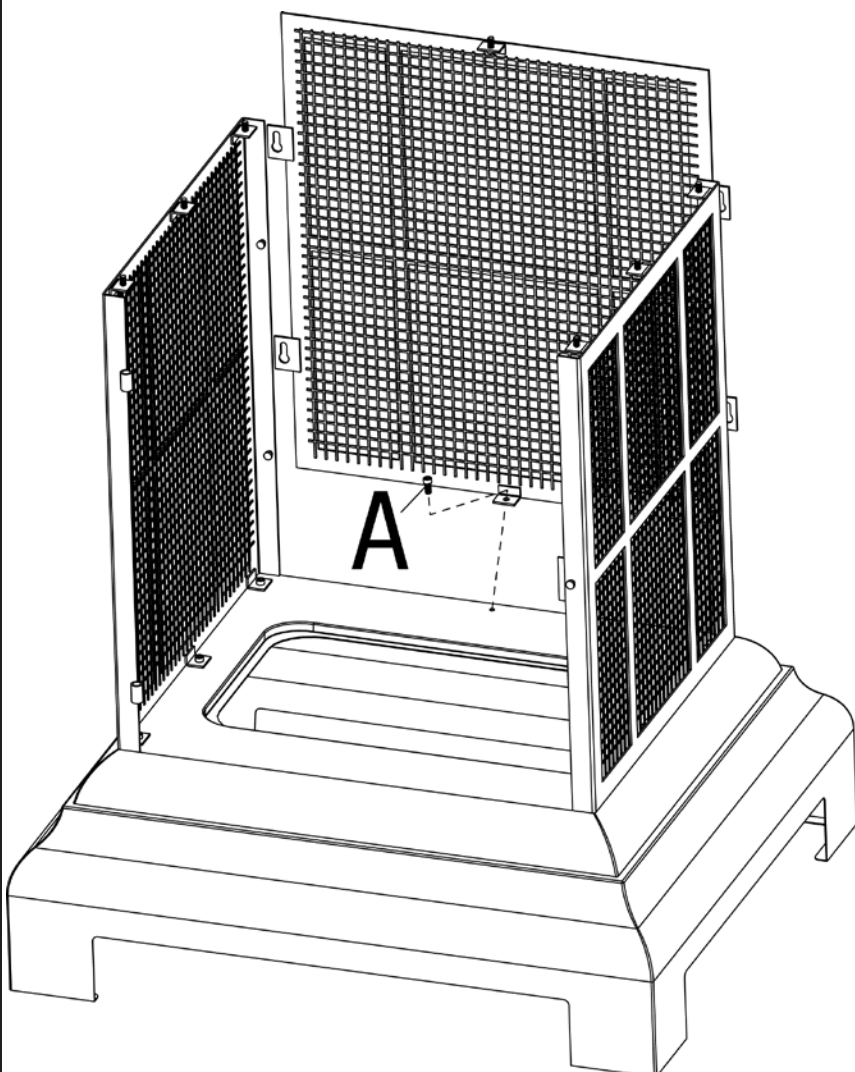
Step 1 Attach left and right spark guards

- A. Attach left spark guard to base using 3 screws (A).
 B. Attach right spark guard to base using 3 screws (A).



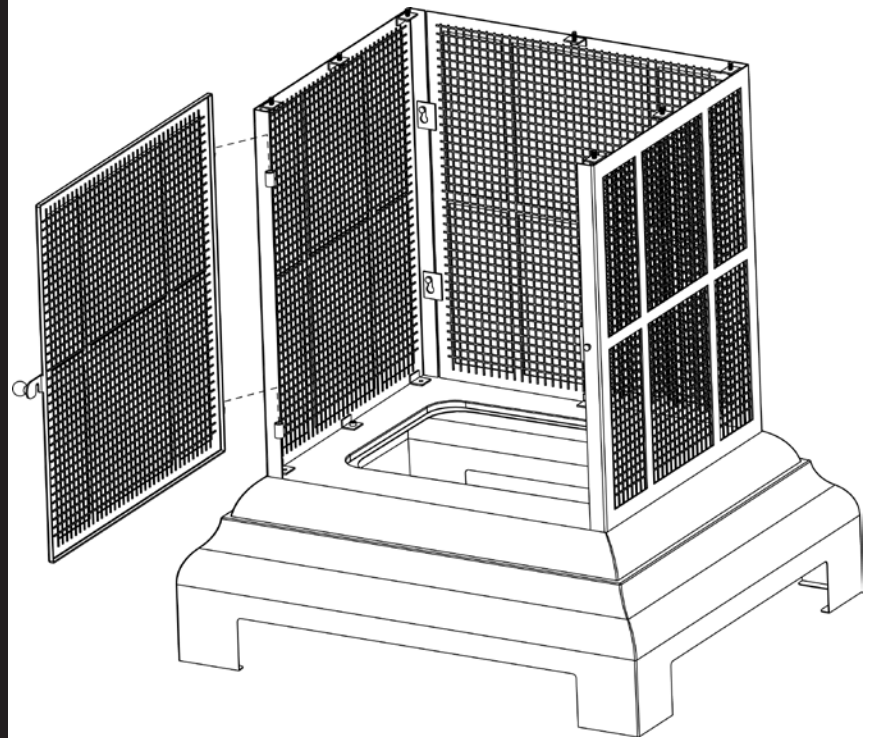
Step 2 Attach back spark guard

- A. Attach back spark guard to left and right spark guards by inserting side spark guard pegs into keyholes in back spark guard.
 B. Slide back spark guard down.
 C. Secure to base using screw (A).



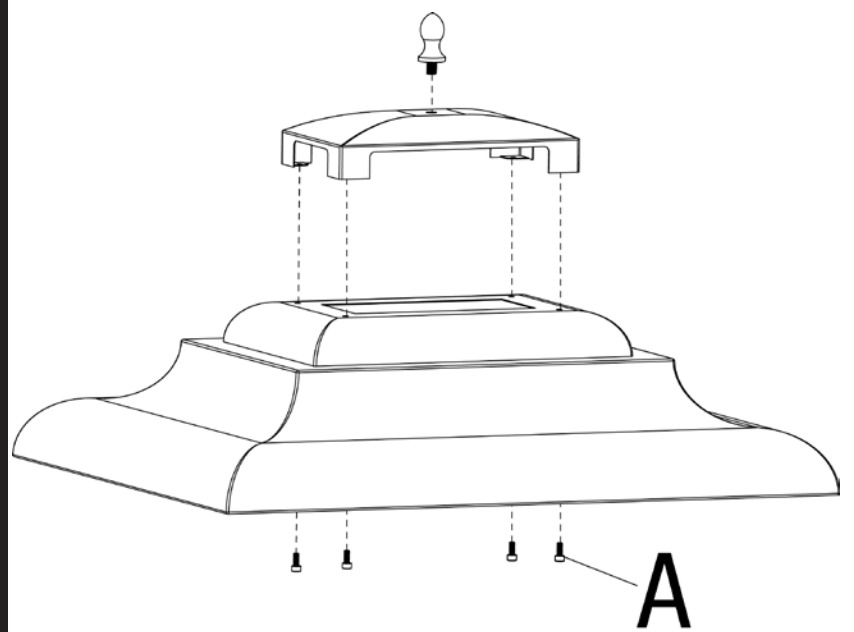
Step 3 Attach spark guard door

Insert spark guard door pegs onto right spark guard.



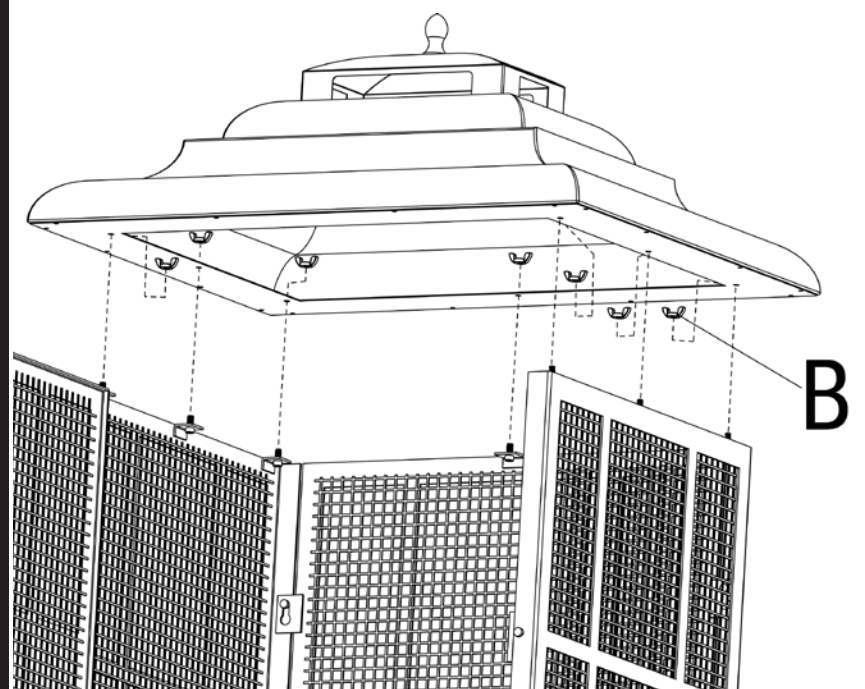
Step 4 Assemble top

- A. Screw finial into top.
 B. Attach top to hood using 4 screws (A).



Step 5 Attach hood assembly

Attach hood assembly to spark guards using 7 wing nuts (B).

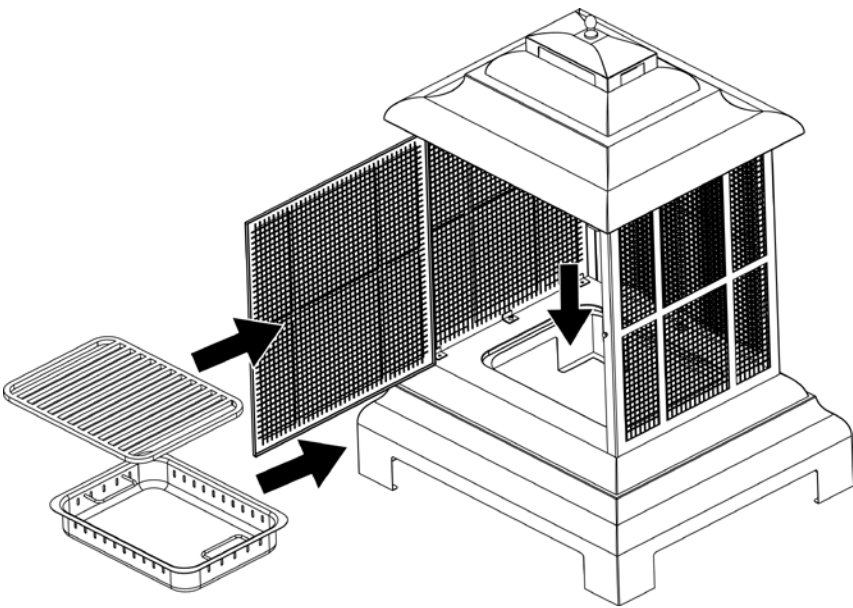


Contact 1.800.762.1142 for assistance. Do not return to place of purchase.

Step **Insert ash receiver and wood grate**

6

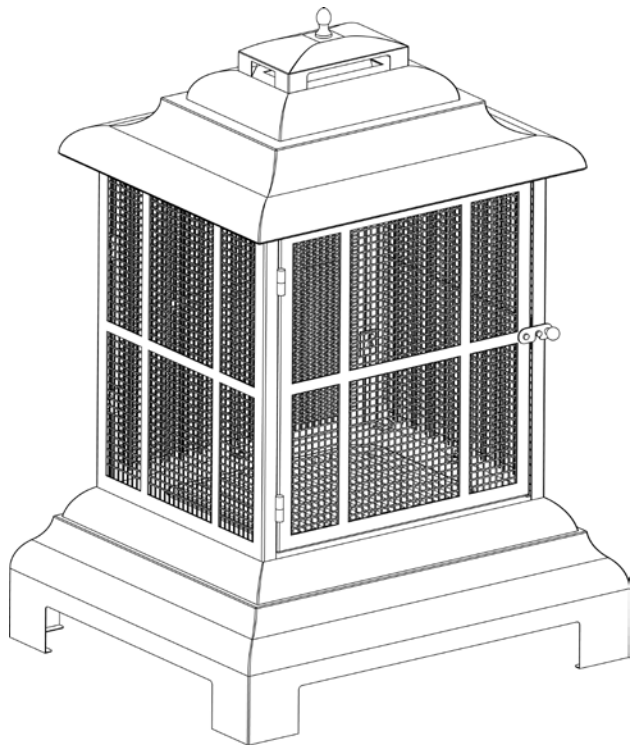
Insert ash receiver and wood grate into base.



Step **Completed**

7

Congratulations your assembly is now complete. Read Operating Instructions before proceeding.



Contact 1.800.762.1142 for assistance. Do not return to place of purchase.

Operating Instructions



WARNING **FOR YOUR SAFETY**

Before using this outdoor fireplace, make sure you have read, understand and are following all information provided in the Important Safeguards presented on page 2. Failure to follow those instructions can cause death, serious injury or property damage.

Lighting

1. Make sure there is no more than a small amount of ash in the bottom of the ash receiver.
2. Place a layer of dry kindling or a natural firestarter such as Fatwood™ onto the center of the grate.
3. Place above that a layer of dry seasoned hardwood that is cut to lengths no more than 14".
4. Use a match to light kindling or firestarter.
5. Close doors once the kindling or firestarter is lit.

Tending the Fire

You may need to shift and/or add logs for an ideal experience.

Reminders:

- Always wear protective gloves or a pot holder when tending a fire.
 - Wait until glowing coals have developed before adding any additional wood.
 - Do NOT add gasoline, kerosene, diesel fuel, lighter fluid or alcohol to relight or enhance an existing fire.
1. Carefully open access door.
 2. While using a long handled fireplace tool, shift coals and logs to allow additional airflow.
 3. If additional wood is required, place wood on top coals. Be careful not to shift ashes.
 4. Close door.

Extinguishing

1. Allow fire to burn itself out.
2. Do NOT use water to extinguish as this is dangerous and can cause damage to this outdoor fireplace.

Cleaning & Care

Inspecting

This outdoor fireplace should be inspected on a regular basis to ensure product safety and longer product life.

Do NOT attempt to inspect this outdoor fireplace until the fire is COMPLETELY out.

1. Check all parts to make sure they are secure.
2. Check base, hood, wood rack, door and spark guards for any signs of damage or rust.
3. If damage to any component is detected, do NOT operate until repairs are executed.

Cleaning

This outdoor fireplace should be cleaned on a regular basis to promote safer experiences and longer product life.

Note: After repeated use, a slight discoloration of the finish may occur.

Do NOT attempt to clean this outdoor fireplace until the fire is COMPLETELY out.

Do NOT use oven cleaner or abrasive cleaners as they will damage this product.

Do NOT clean any part of this outdoor fireplace in a self cleaning oven as it may damage the finish.

Do NOT use pressure washer to clean this outdoor fireplace, as this may damage this product.

1. Wipe exterior surfaces with a mild dishwashing detergent or baking soda.
2. For stubborn surfaces use a citrus based degreaser and a nylon scrubbing brush.
3. Rinse clean with water.
4. Remove built-up creosote from base, hood and spark guards with a chimney cleaning product.

Storage

Do NOT move or store this outdoor fireplace until the fire is COMPLETELY out.

1. Once the fire is out, coals are cold and outdoor fireplace is cool to the touch, remove ashes and properly dispose.
2. Cover outdoor fireplace with a durable vinyl cover.
3. Store assembled in a location away from children and pets.

Note: If you do not use a cover, store this outdoor fireplace in a dry location to maximize product life.

Product Registration

Please register your product immediately at www.BlueRhino.com or call 1.800.762.1142.

Limited Warranty

Blue Rhino Global Sourcing, LLC ("Vendor") warrants to the original retail purchaser of this outdoor fireplace, and to no other person, that if this outdoor fireplace is assembled and operated in accordance with the printed instructions accompanying it, then for a period of one (1) year from the date of purchase, all parts in such outdoor fireplace shall be free from defects in material and workmanship. Vendor may require reasonable proof of your date of purchase. Therefore, you should retain your sales slip or invoice. This Limited Warranty shall be limited to the repair or replacement of parts, which prove defective under normal use and service and which Vendor shall determine in its reasonable discretion upon examination to be defective. Before returning any parts, you should contact Vendor's Customer Service Department using the contact information listed below. If Vendor confirms, after examination, a defect covered by this Limited Warranty in any returned part, and if Vendor approves the claim, Vendor will replace such defective part without charge. If you return defective parts, transportation charges must be prepaid by you. Vendor will return replacement parts to the original retail purchaser, freight or postage prepaid.

This Limited Warranty does not cover any failures or operating difficulties due to accident, abuse, misuse, alteration, misapplication, improper installation or improper maintenance or service by you or any third party, or failure to perform normal and routine maintenance on the outdoor fireplace, as set out in this owner's manual.

This Limited Warranty is in lieu of all other express warranties. Vendor disclaims all warranties for products that are purchased from sellers other than authorized retailers or distributors, including the warranty of merchantability or the warranty of fitness for a particular purpose. VENDOR ALSO DISCLAIMS AND ANY ALL IMPLIED WARRANTIES, INCLUDING WITHOUT LIMITATION THE IMPLIED WARRANTIES OF MERCHANTABILITY AND FITNESS FOR A PARTICULAR PURPOSE. VENDOR SHALL NO LIABILITY TO PURCHASER OR ANY THIRD PARTY FOR ANY SPECIAL, INDIRECT, PUNITIVE, INCIDENTAL, OR CONSEQUENTIAL DAMAGES. Vendor further disclaims any implied or express warranty of, and assumes no responsibility for, defects in workmanship caused by third parties. This Limited Warranty gives the purchaser specific legal rights; a purchaser may have other rights depending upon where he or she lives. Some jurisdictions do not allow the exclusion or limitation of special, incidental or consequential damages, or limitations on how long a warranty lasts, so the above exclusion and limitations may not apply to everyone.

Vendor does not authorize any person or company to assume for it any other obligation or liability in connection with the sale, installation, use, removal, return, or replacement of its equipment, and no such representations are binding on Vendor.

Blue Rhino Global Sourcing, LLC
104 Cambridge Plaza Drive
Winston-Salem, North Carolina 27104 USA
(800) 762-1142
24 Hour Fax: (336) 659-6743
CustomerService@BlueRhino.com

Instrucciones de Operación



ADVERTENCIA PARA SU SEGURIDAD:

Antes de usar esta chimenea al aire libre, asegúrese de haber leído y entendido completamente las Importantes Precauciones que se presentan en la página 2. Siga estas instrucciones completamente pues la falla en seguir las puede causar daños a la propiedad, serias lesiones y aun la muerte.

Encendido

1. Verifique que únicamente ha quedado una pequeña cantidad de ceniza en el bandeja para ceniza.
2. Coloque una capa de leña menuda seca o un material natural para encender el fuego, tal como Fatwood™, en el centro de la rejilla.
3. Coloque encima una capa de leña seca cortada en longitudes no mayores de 14 pulg. (35,5 cm).
4. Use una cerilla para encender la leña menuda o el material para encender el fuego.
5. Cierre las puertas de la unidad una vez que la leña menuda o el material de encendido han quedado prendidos.

Cuidado del Fuego

Usted puede necesitar mover los leños o agregar leños para obtener un funcionamiento ideal.

Recuerde:

- Use siempre guantes de protección o un paño para manejo de ollas cuando esté atizando el fuego.
- Espere hasta que el fuego se haya convertido en brasa antes de agregar más leña.
- No vierta gasolina, kerosén, aceite diesel, líquido para encendedores o alcohol para volver a encender o aumentar un fuego que se extingue.
- 1. Abra cuidadosamente la puerta de acceso.
- 2. Usando un accesorio de chimenea de mango largo, mueva leños y brasas para permitir un flujo adicional de aire.
- 3. Si se necesita más leña coloque la leña encima de las brasas. Tenga cuidado de no mover la ceniza.
- 4. Cierre la puerta de acceso

Apagado

1. Deje que el fuego se extinga por sí mismo.
2. NO use agua para extinguir el fuego pues esta práctica es peligrosa y puede dañar su hogar al aire libre.

Cuidado y Limpieza

Inspección

Esta chimenea al aire libre debe inspeccionarse a intervalos regulares para asegurar que su funcionamiento es seguro y prolongar su vida útil.

No trate de inspeccionar esta chimenea al aire libre antes de que el fuego se haya apagado COMPLETAMENTE.

1. Examine todas las piezas para estar seguro de que continúan firmemente instaladas.
2. Inspeccione la base, campana, parrilla para la leña, puerta y los resguardos contra chispas para detectar señales de daños u oxidación.
3. Si encuentra que algún componente está dañado, NO opere la unidad antes de haberla reparada.

Limpieza

Esta chimenea al aire libre debe limpiarse a intervalos regulares para asegurar su funcionamiento seguro y prolongar su vida útil.

Nota: Después de repetido uso, la superficie de metal puede descolorarse un poco.

NO trate de limpiar esta chimenea al aire libre antes de que el fuego se haya extinguido COMPLETAMENTE.

NO use productos para limpieza de hornos o limpiadores abrasivos pues estos dañan la unidad.

NO trate de limpiar ningún componente de esta chimenea al aire libre en un horno automático de limpieza pues esto daña el terminado de la unidad.

NO use una lavadora de alta presión para limpiar esta chimenea al aire libre pues esto dañará la unidad.

Garantía Limitada

Blue Rhino Global Sourcing, LLC (“el Fabricante”) garantiza al comprador original, al detal, de esta Chimenea al Aire Libre, y a ninguna otra persona, que si la unidad se arma y opera de acuerdo con las instrucciones impresas que la acompañan, y por un período de un (1) año a partir de la fecha de compra, todas las piezas de la chimenea estarán libres de defectos en material y mano de obra. El Fabricante podrá requerir prueba razonable de la fecha de compra, a ser emitida por vendedor al detal o representante autorizados. Por lo tanto, usted debe conservar el recibo de venta o la factura. Esta Garantía Limitada estará limitada a la reparación o reemplazo de las piezas que resulten defectuosas en condiciones de servicio y uso normal y las que un examen indique, a satisfacción razonable del Fabricante, que están defectuosas. Antes de devolver cualquier pieza, comuníquese con el Departamento de Servicio al Cliente (Customer Service Department) del Fabricante, usando la información de contacto que se lista más adelante. Si el Fabricante, después de examinar la pieza devuelta, confirma que existe un defecto cubierto por esta Garantía Limitada y aprueba el reclamo, el Fabricante reemplazará tales partes sin costo alguno. Si usted devuelve las partes defectuosas, los costos de transporte deberán ser prepagados por usted. El Fabricante devolverá las partes, al comprador original al detal, con costo de transporte o envío prepagados.

Esta Garantía Limitada no cubre fallas o dificultades de operación debidas a accidente, abuso, mal uso, alteración, empleo en usos inapropiados, instalación defectuosa o mantenimiento o servicio inapropiado, dado por usted o por tercera persona, o falla en la realización de mantenimiento normal y rutinario de la unidad, como se prescribe en este manual del usuario. Además, la Garantía Limitada no cubre daños al terminado de la unidad, tales como rasguños, abolladuras, descoloridos, oxidaciones y otros daños causados por la intemperie, después de la compra de la unidad.

Esta Garantía Limitada reemplaza cualquier otra garantía. El Fabricante no asume ninguna responsabilidad por garantías de productos vendidos por quienes no sean distribuidores o vendedores al detal autorizados. UNA VEZ TERMINADO EL PERIODO DE UN (1) AÑO DE GARANTÍA EXPRESA, EL FABRICANTE NO SE HACE RESPONSABLE POR NINGUNA O CUALQUIER GARANTÍA IMPLÍCITA INCLUYENDO, SIN LIMITACIONES, LAS GARANTÍAS IMPLÍCITAS DE COMERCIABILIDAD Y ADAPTABILIDAD PARA UN PROPOSITO PARTICULAR. ADEMÁS, EL FABRICANTE NO ASUME NINGUNA RESPONSABILIDAD, ANTE EL COMPRADOR O ANTE CUALQUIER TERCERA PERSONA, POR DAÑOS ESPECIALES, INDIRECTOS, PUNITIVOS, INCIDENTALS O CONSECUENCIALES. El Fabricante, además, no asume responsabilidad por defectos causados por terceras personas. Esta Garantía Limitada le da al comprador derechos legales específicos y el comprador puede tener otros derechos según el lugar donde el comprador o la compradora residan. Ciertas jurisdicciones no permiten limitaciones o exclusiones en cuanto a daños especiales, incidentales o consecuentes ni en cuanto a la duración de una garantía, de manera que la exclusión y las limitaciones descritas arriba pueden no ser aplicables a usted.

El Fabricante no autoriza a ninguna persona o compañía para asumir por el Fabricante cualquier otra obligación o responsabilidad relacionada con la venta, instalación, uso, remoción, devolución, o reemplazo de este equipo y cualquier representación de esta naturaleza no obliga al Fabricante.

Blue Rhino Global Sourcing, LLC
104 Cambridge Plaza Drive
Winston-Salem, North Carolina 27104 EE.UU.
Teléfono (800) 762-1142
Fax las 24 horas: (336) 659-6743
CustomerService@Bluerhino.com

Registro del Producto

Sírvase registrar su unidad inmediatamente visitando nuestro sitio de internet www.Bluerhino.com o llamando al 1-800-762-1142.

Almacenamiento

NO mueva o guarde esta chimenea al aire libre antes de que el fuego se haya extinguido COMPLETAMENTE.

1. Una vez que el fuego se haya apagado, las brasas estén frías y la unidad se sienta suficientemente fría al tacto, remueva la ceniza y descártela de manera apropiada.

2. Cubra la chimenea al aire libre con una cubierta durable de vinilo diseñada para acomodar la unidad.

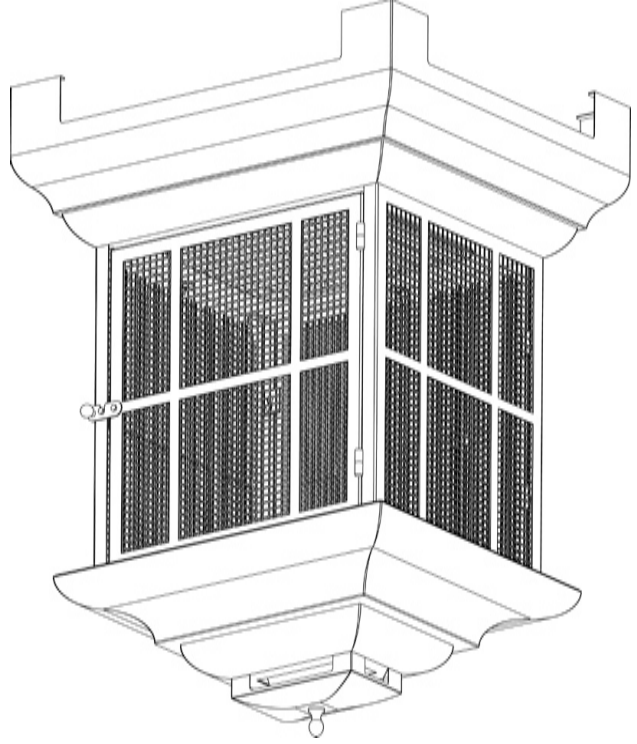
3. Guarde la unidad armada en una ubicación alejada de niños y mascotas.

Nota: Si no usa cubierta, guarde esta chimenea al aire libre en una ubicación seca para prolongar la vida del producto.

han quedados prendidos.

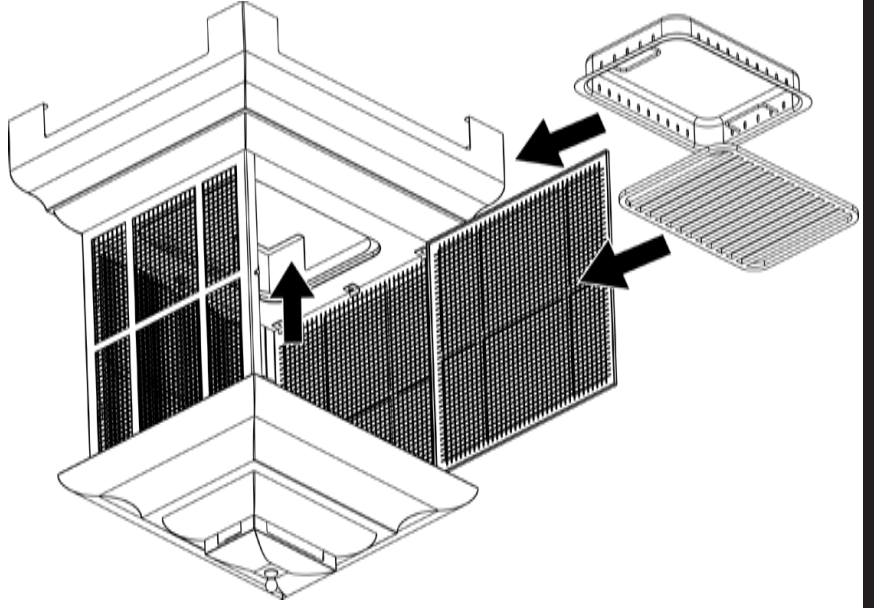
Paso 7

Trabajo Terminado
Felicitaciones, el armado ha terminado. Lea las instrucciones de operación antes de seguir adelante.



Paso 6

Coloque la bandeja para ceniza y la parrilla para leña
Inserte la bandeja para ceniza y la parrilla para leña en la base.



Instrucciones de Armado

NO DEVUELVA EL PRODUCTO AL LUGAR DE COMPRA

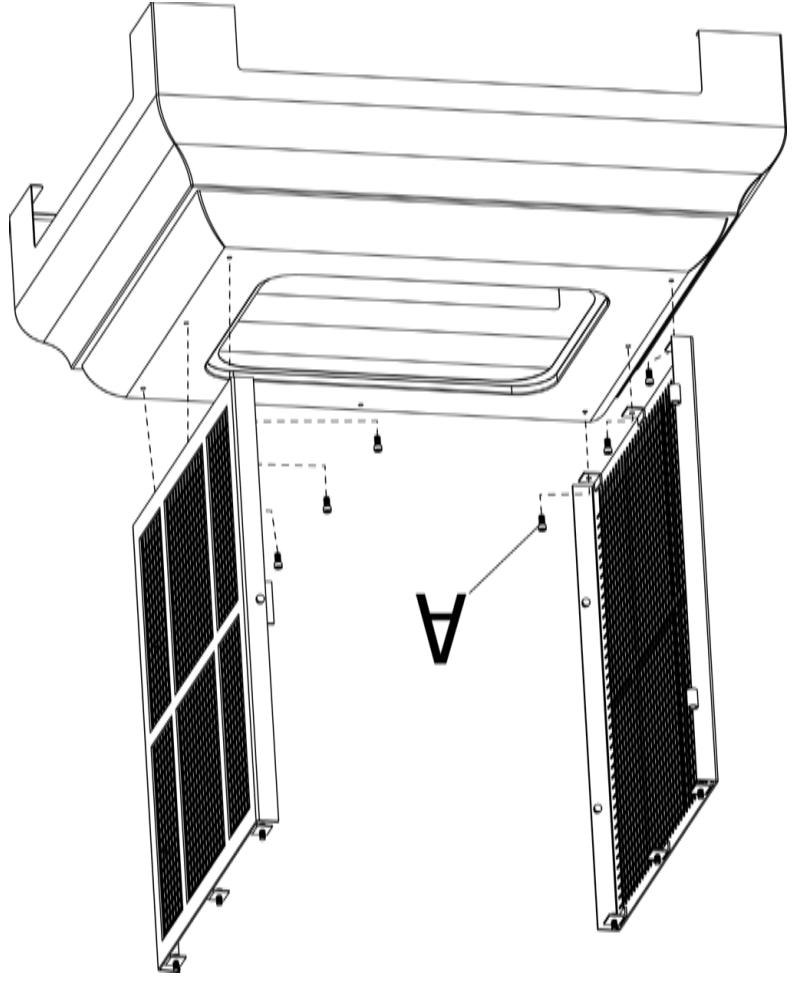
Si necesita ayuda llame, sin cargo, al 1.800.762.1142. Por favor tenga a mano su manual y el número de serie de la unidad, para referencia.

Para facilitar el armado:

- Evite la pérdida de componentes pequeños o elementos de ferretería, armando el producto en un lugar de piso plano sin aberturas ni hendijas.
- Despeje un área suficientemente grande para disponer todos los componentes y los elementos de ferretería.
- Cuando sea del caso, apriete a mano, en un principio, las conexiones de ferretería. Una vez que ha terminado el Paso, apriete completamente todos los elementos de ferretería.
- Siga todos los Pasos en el orden indicado para armar debidamente esta unidad.

Paso 1

A. Fije el resguardo izquierdo contra chispas en la base, usando 3 tornillos (A).
B. Fije el resguardo derecho contra chispas en la base, usando 3 tornillos (A).



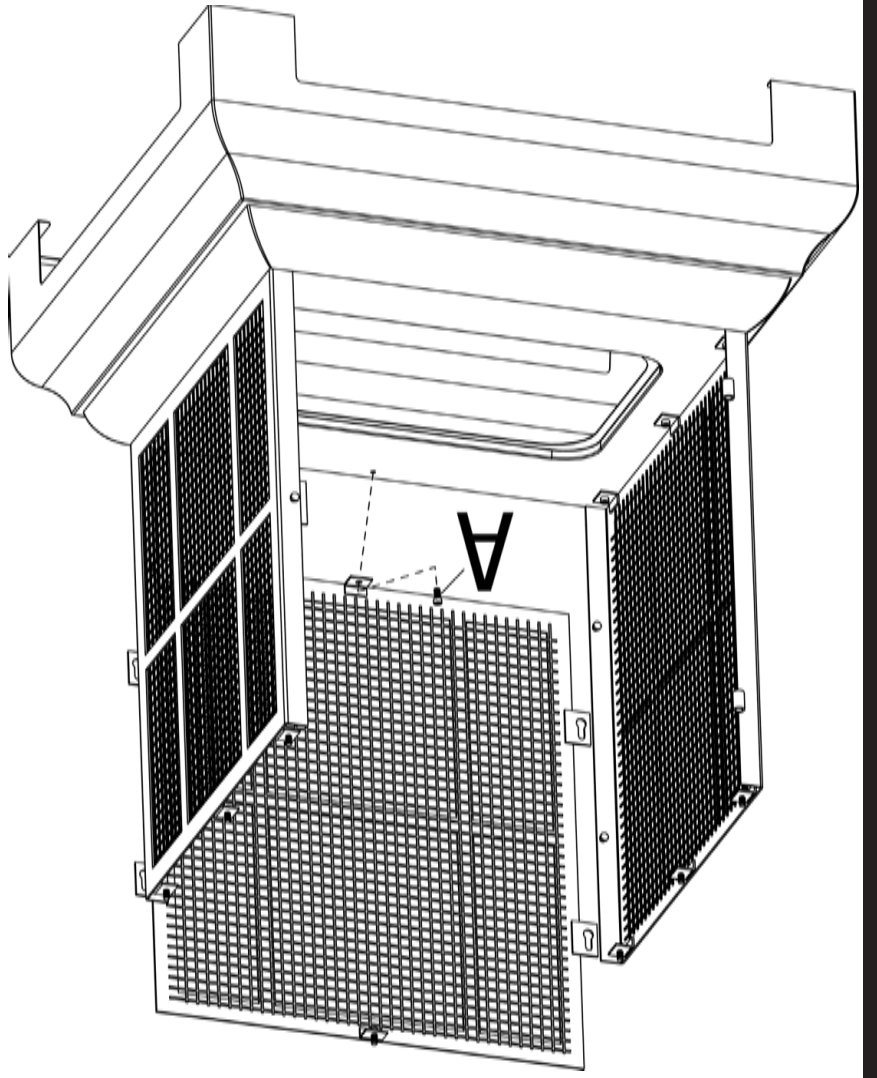
Paso 2

Instale el resguardo trasero contra chispas

A. Instale el resguardo trasero contra chispas fijándolo en los resguardos izquierdo y derecho contra chispas, insertando las clavijas de los resguardos laterales en las ranuras de llave en el resguardo trasero contra chispas.

B. Prestione, moviendo hacia abajo el resguardo trasero contra chispas.

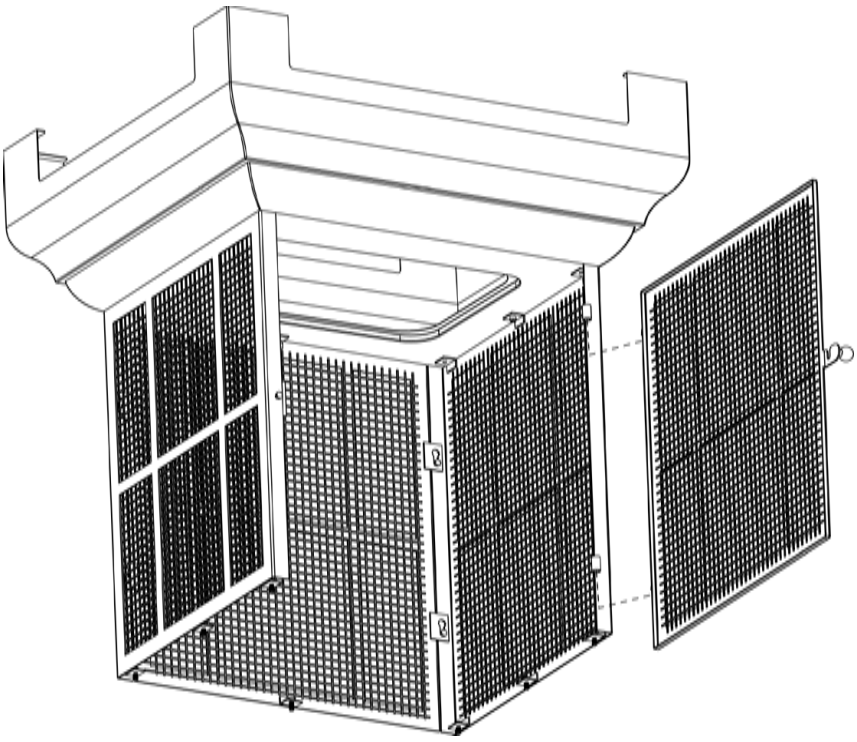
C. Asegúrelo en la base usando un tornillo (A).



Paso 3

Instale la puerta del resguardo contra chispas

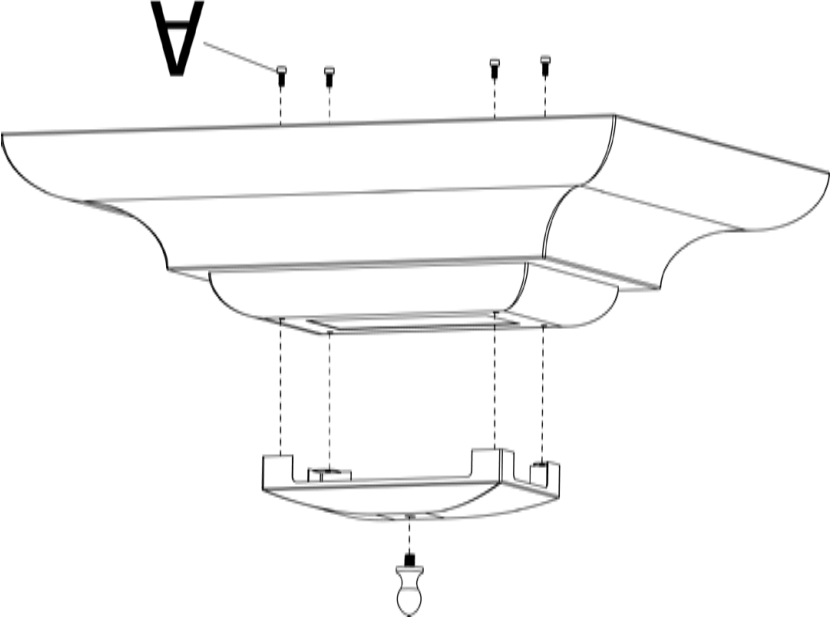
Inserte las clavijas de la puerta del resguardo contra chispas en los agujeros de bisagra del resguardo derecho contra chispas.



Paso 4

Instale la tapa

A. Atornille el florón en la tapa.
B. Instale la tapa en la campana usando 4 tornillos (A).



Paso 5

Instale el conjunto de la campana

Instale el conjunto de la campana fijándolo en los resguardos contra chispas, usando 7 tuercas de mariposa (B).

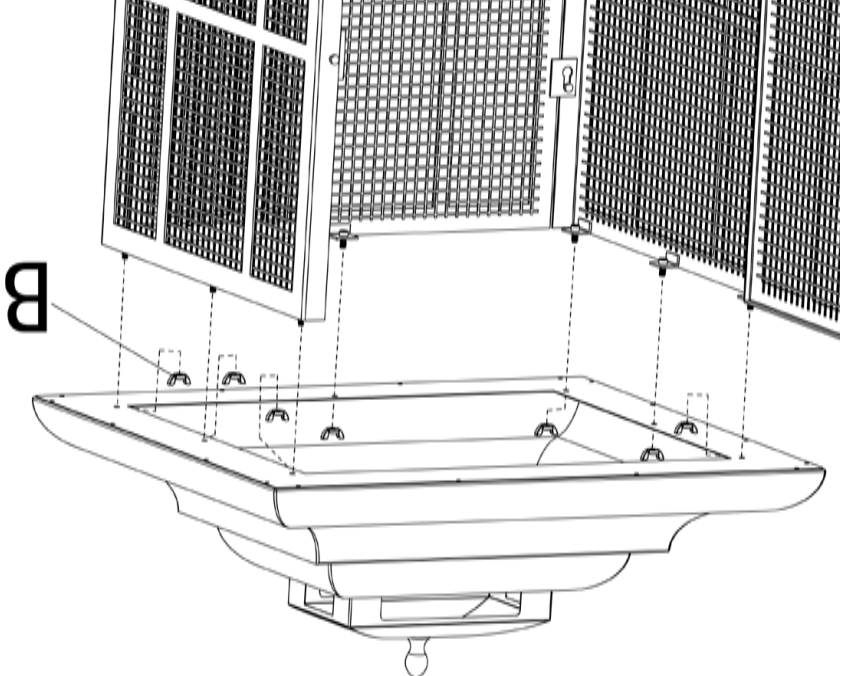
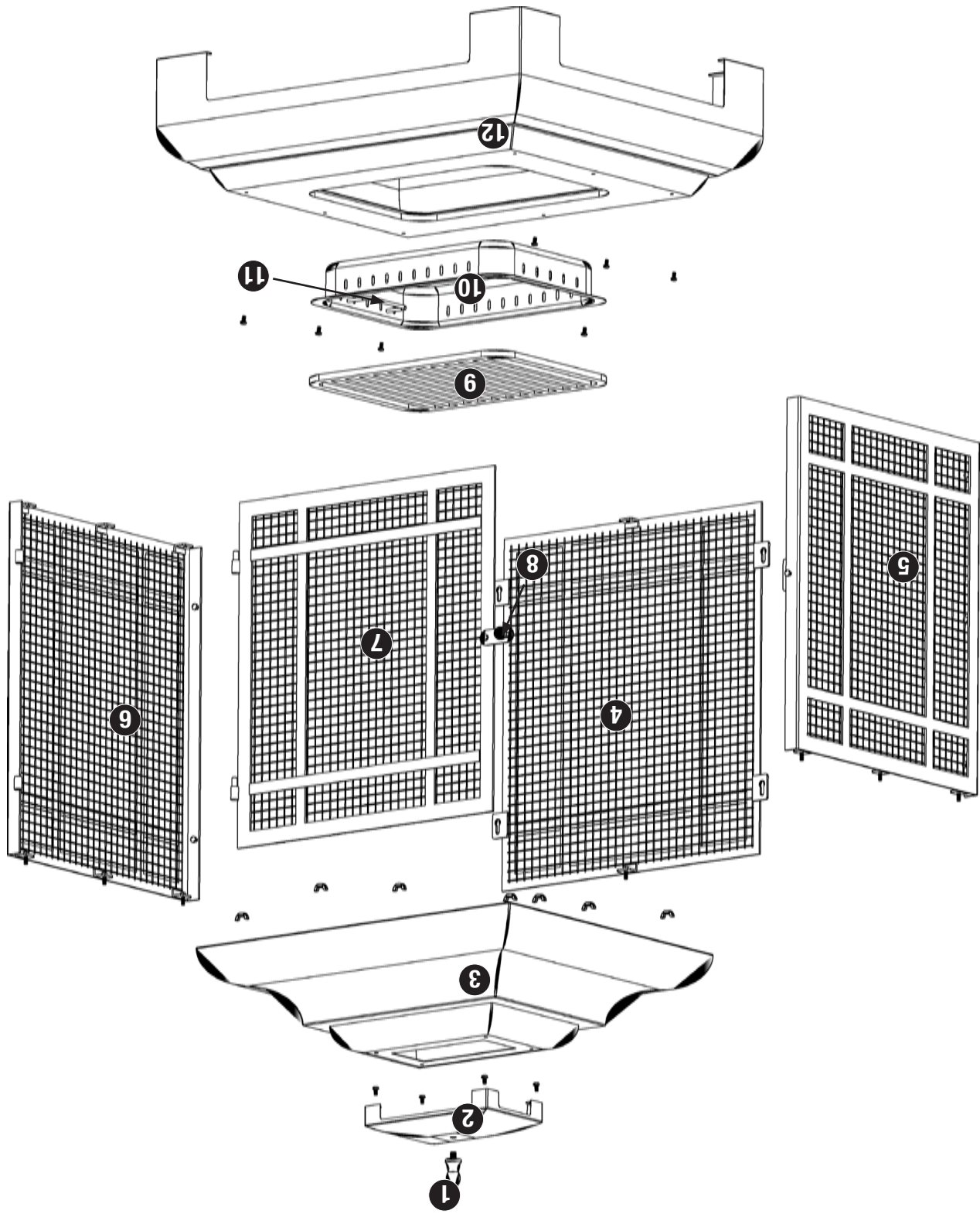


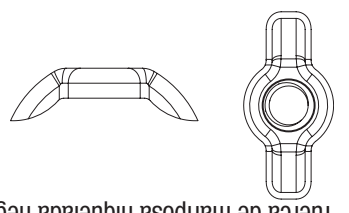
Diagrama de explosión



- 1. Florón
 - 2. Tapa
 - 3. Campana
 - 4. Resguardo trasero contra chispas
 - 5. Resguardo derecho contra chispas
 - 6. Resguardo izquierdo contra chispas
 - 7. Puerta de resguardo contra chispas
 - 8. Manija*
 - 9. Parrilla para leña
 - 10. Bandeja para ceniza
 - 11. Manija para bandeja de ceniza*
 - 12. Base
- *Viene ensamblado

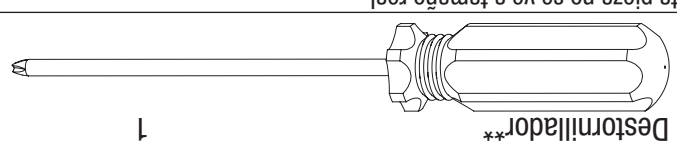
Elementos de ferretería

- A. Tornillo
Tornillo níquelado negro de cabeza abombada Phillips M5x10
11



- B. Tuerca de mariposa
Tuerca de mariposa níquelada negra M5
7

Herramienta necesaria



- C. Destornillador**
1

**Esta pieza no se ve a tamaño real.



1. Esta unidad es para ser usada al aire libre únicamente y NO debe usarse en un edificio, garaje o cualquier otra área cerrada.
2. NO use esta chimenea al aire libre para cocinar dentro o calentar el ambiente. Los gases tóxicos de monóxido de carbono pueden acumularse y provocar la asfixia.
3. Esta chimenea al aire libre NO ha sido diseñado para uso comercial.
4. La chimenea al aire libre NO debe ser usada por los niños.
5. NO instale o utilice esta chimenea al aire libre en embarcaciones o vehículos de recreo.
6. Observe siempre y use la unidad cumpliendo todos los códigos de incendio aplicables, locales y nacionales. Obtenga de su Departamento de Incendios local detalles en cuanto a quemas al aire libre.
7. Al usar esta chimenea al aire libre, observe las mismas precauciones que merece cualquier fuego abierto.
8. Use siempre esta chimenea al aire libre sobre un piso firme, nivelado y no combustible, como de hormigón o piedra. Una superficie de asfalto puede no ser aceptable para este propósito. NO use la chimenea sobre patios de madera.
9. El uso de bebidas alcohólicas, medicamentos o drogas de farmacia puede afectar la habilidad del usuario para armar debidamente u operar en forma segura esta chimenea al aire libre.
10. No encienda esta chimenea al aire libre sin haber leído completamente todas las instrucciones de este manual del usuario.
11. Use siempre leña seca para quemar, que quemar a mayor temperatura, en forma más completa, y que produce menos humo con esta chimenea al aire libre.
12. NO quemar briquetas de carbón de leña o vegetal, carbón, madera aglomerada, madera de deriva, basura, hojas, cartón o pedazos de madera terciada en la chimenea al aire libre. Evite usar maderas blandas como pino o cedro pues estas maderas hacen saltar chispas.
13. NO altere esta chimenea al aire libre de ninguna forma.
14. NO utilice la chimenea al aire libre a menos que esté COMPLETAMENTE montada y que todas las piezas estén bien fijadas y apretadas.
15. NO guarde o use gasolina u otros líquidos o vapores inflamables cerca de esta unidad o de cualquier otro aparato.
16. NO use o guarde un tanque de gas propano líquido en un radio inferior a 10 pies (3,05 metros) de esta chimenea al aire libre.
17. No use esta chimenea al aire libre cerca de automóviles, camiones, furgones o vehículos de recreo.
18. NO utilice esta unidad en una atmósfera explosiva. Escija una zona para la chimenea al aire libre alejada de materiales combustibles, gasolina y cualquier otro vapor o líquido inflamable.
19. NO use esta chimenea al aire libre debajo de aleros o cerca de construcciones combustibles que no estén debidamente protegidas. Evite usar la chimenea al aire libre cerca o debajo de árboles y arbustos.
20. Siempre vacíe la chimenea al aire libre después de haberla usada. Deje una capa delgada de ceniza en la base para proteger el fondo.
21. Evite vestir ropa inflamable cuando usa la chimenea al aire libre.
22. NO utilice la chimenea si hace mucho viento.

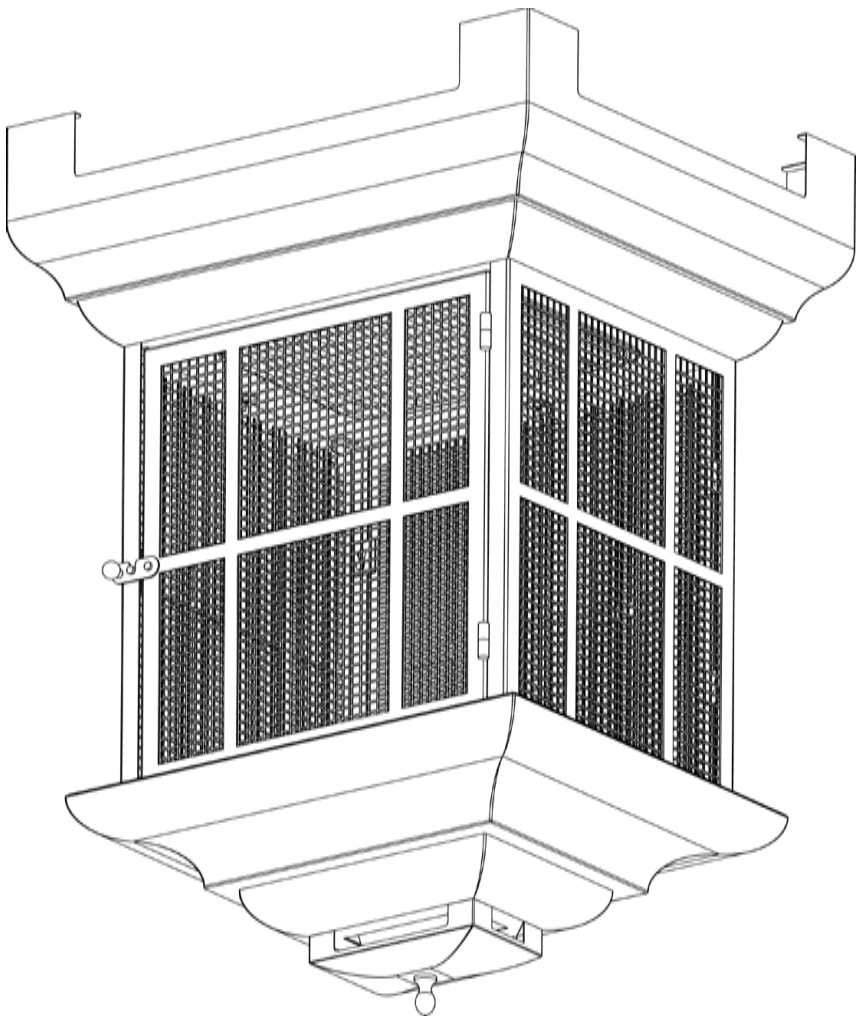
ADVERTENCIA
PARA SU SEGURIDAD:

23. NO utilice la chimenea al aire libre sin haber instalado los resguardos contra chispas.
24. NO use gasolina, kerosén, combustibles de diesel, líquidos para encender carbón o alcohol para encender o volver a encender la chimenea al aire libre.
25. Mantenga todos los cables eléctricos lejos de un hogar al aire libre.
26. Cuando la chimenea al aire libre se usa, las superficies estarán calientes. NO toque la chimenea al aire libre hasta que no se haya enfriada completamente para evitar quemaduras, a menos que usted tenga puestos elementos de protección tales como guantes o almohadilla para las ollas, manoplas, guantes de barbacoa, etc. Nunca toque las cenizas o las brasas para determinar si están calientes.
27. NO deje una la chimenea al aire libre encendida sin vigilancia, especialmente si hay niños o mascotas presentes.
28. NO intente mover o guardar el hogar al aire libre antes de que las cenizas y las brasas se hayan completamente enfriado y apagado.
29. NO quite las cenizas o las brasas antes de que se hayan completamente enfriado y apagado.
30. Use guantes y almohadillas resistentes al calor cuando deba manejar las manijas y las ventanas de circulación de aire.
31. Use accesorios de chimenea largos y fuertes cuando deba agregar o mover los leños.
32. NO coloque leña directamente en el fondo de la chimenea al aire libre. Coloque los leños únicamente en la rejilla o bandeja para la leña. En modelos con cañón para el humo no ponga leña en el cañón.
33. NO recargue la chimenea al aire libre. No le agregue leña antes de que las llamas se hayan extinguido. AVISO: Si cualquier parte de la base, campana o resguardos contra las chispas de esta chimenea al aire libre se nota enrojecida es señal de que la unidad se ha sobrecargado.
34. No recargue de leña la chimenea al aire libre hasta el punto de que las puertas no cierren correctamente antes de encender la chimenea.
35. NO se apoye sobre la chimenea al aire libre cuando la está encendiendo o usando.
36. NO coloque herramientas calientes, sobre superficies combustibles tales como el césped, terrazas de madera o muebles.
37. Evite respirar el humo del fuego y evite que le llegue a los ojos.
38. Esta chimenea al aire libre debe limpiarse y verificarse completamente de manera regular.
39. Después de un período de almacenamiento o de haber dejado de usar la unidad por algún tiempo, revise que no haya señales de daños o acumulación de creosota. NO opere la unidad antes de hacer las reparaciones requeridas o realitzar la limpieza necesaria.
40. NO use una lavadora de alta presión para limpiar la chimenea al aire libre.
41. Use únicamente piezas autorizadas de fábrica de Blue Rhino Global Sourcing, LLC. El uso de cualquier pieza no autorizada de fábrica puede ser peligroso. Su uso invalida su garantía. Llame al 1.800.762.1142.
42. El no seguir exactamente las instrucciones dadas arriba puede producir daños a la propiedad, lesiones serias y hasta fatales.



Chimenea al Aire Libre

Modelo n° WAF501C



Indice

Salvaguardias importantes 2

Diagrama de explosión y elementos de ferretería 3

Instrucciones de armado 4

Instrucciones de operación 6

Encendido 6

Cuidado del fuego 6

Apagado de la chimenea al aire libre 6

Limpieza y cuidado 6

Inspección 6

Limpieza 6

Almacenamiento 6

Registro del producto 6

Garantía limitada 6

ADVERTENCIA

PARA SU SEGURIDAD:

Solamente Para Uso En Exteriores
(fuera de cualquier recinto)

ADVERTENCIA

PARA SU SEGURIDAD:

1. Una instalación, ajuste, alteración, reparación o mantenimiento inadecuados puede causar lesiones o daños a la propiedad.

2. Lea atentamente las instrucciones de instalación, funcionamiento y mantenimiento del equipo antes de instalarlo, ponerlo en marcha o darle servicio.

3. El no seguir estas instrucciones puede ocasionar un incendio o una explosión, con sus consecuentes daños a la propiedad, lesiones personales y hasta accidentes fatales.

Conserve estas instrucciones para futuras consultas. Si esta montando esta unidad para otra persona, entéguele este manual para futuras consultas.

Fabricado en China para:
Blue Rhino Global Sourcing, LLC
104 Cambridge Plaza Drive, Winston-Salem, NC 27104 EE.UU.
1.800.762.1142, www.bluerhino.com

© 2006 Blue Rhino Global Sourcing, LLC. Todos los derechos reservados.
El diseño del centro del blanco es una marca registrada de Target Brands, Inc.
Todos los derechos reservados. Usado bajo licencia.

Free Manuals Download Website

<http://myh66.com>

<http://usermanuals.us>

<http://www.somanuals.com>

<http://www.4manuals.cc>

<http://www.manual-lib.com>

<http://www.404manual.com>

<http://www.luxmanual.com>

<http://aubethermostatmanual.com>

Golf course search by state

<http://golfingnear.com>

Email search by domain

<http://emailbydomain.com>

Auto manuals search

<http://auto.somanuals.com>

TV manuals search

<http://tv.somanuals.com>