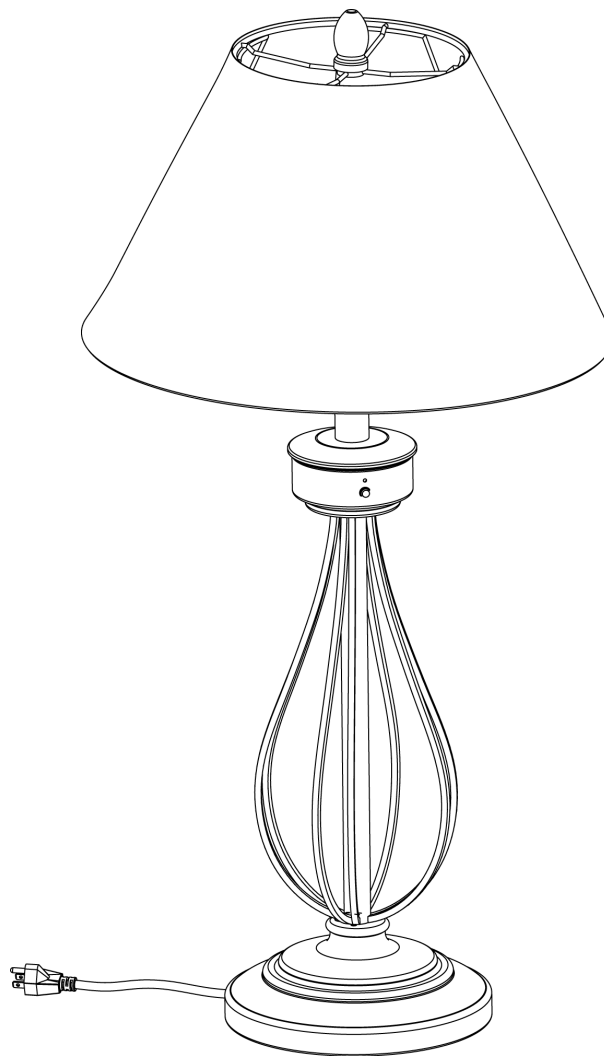


Outdoor Electric Patio Heater

Model No. EWTS9151M



WARNING
FOR YOUR SAFETY:
For Outdoor Use Only
(outside any enclosure)

WARNING
FOR YOUR SAFETY:

1. Improper installation, adjustment, alteration, service or maintenance can cause injury or property damage.
2. Read the installation, operation, and maintenance instructions thoroughly before installing or servicing this equipment.
3. Failure to follow these instructions could result in fire or explosion, which could cause property damage, personal injury or death.
4. This instruction manual contains important information necessary for the proper assembly and safe use of the appliance.
5. Read and follow all warnings and instructions before assembling and using the appliance.
6. Follow all warnings and instructions when using the appliance.
7. Keep this manual for future reference.

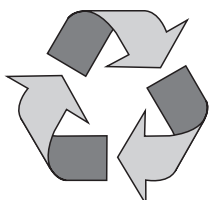
WARNING
FOR YOUR SAFETY:
Do not store or use gasoline or other flammable liquids or vapors in the vicinity of this or any other appliance.

DANGER
Never operate this appliance unattended.

Danger
Do NOT use electric grill for indoor cooking or heating. NOT to be used in or on boats or recreational vehicles.

Table of Contents	
Important Safeguards	Page 2
Exploded View & Hardware	3
Assembly Instructions	4
Operating Instructions	5
Grounding Instructions	5
Before Turning "ON"	5
Turning "ON"	5
While Heater is "ON"	5
Turning "OFF"	5
Cleaning and Care	6
Cleaning Surfaces	6
Maintenance	6
Replacing the Fuse	6
Storage	6
Between Uses and During Periods of Extended Inactivity or When Transporting	6
Product Registration	7
Limited Warranty	7
Specifications	7
Troubleshooting	7

Save these instructions for future reference. If you are assembling this unit for someone else, give this manual to him or her to read and save for future reference.



Made from 75% Bagasse

(Environmentally Friendly Sugar Cane Pulp By-product)



Manufactured in China for: Blue Rhino Global Sourcing, Inc.
Winston-Salem, NC USA • 1.800.762.1142, www.bluerhino.com

© Blue Rhino Global Sourcing, Inc. All Rights Reserved
Endless Summer® is a Registered Trademark of Blue Rhino Global Sourcing, Inc.. All Rights Reserved.

IMPORTANT SAFEGUARDS

When using electrical appliances, basic safety precautions should always be followed including the following:

1. Read all instructions before using this heater.
2. This heater is hot when in use. To avoid burns, do not let bare skin touch hot surfaces. If provided, use handles when moving this heater. Keep combustible materials, such as furniture, pillows, bedding, papers, clothes, and curtains at least a 3 feet (0.9 m) from the front of the heater and keep them away from the sides and rear.
3. Extreme caution is necessary when any heater is used by or near children or invalids and whenever the heater is left operating and unattended.
4. Always unplug heater when not in use.
5. Do not operate any heater with a damaged cord or plug or after the heater malfunctions, has been dropped or damaged in any manner. Return heater to authorized service facility for examination, electrical or mechanical adjustment, or repair.
6. This heater is not intended for use in bathrooms, laundry areas and similar indoor locations. Never locate heater where it may fall into a bathtub or other water container.
7. Do not run cord under carpeting. Do not cover cord with throw rugs, runners, or similar coverings. Arrange cord away from traffic area and where it will not be tripped over.

8. To disconnect heater, turn controls to off, then remove plug from outlet.
9. Connect to properly grounded outlets only.
10. Do not insert or allow foreign objects to enter any ventilation or exhaust opening as this may cause an electric shock or fire, or damage the heater.
11. To prevent a possible fire, do not block air intakes or exhaust in any manner. Do not use on soft surfaces, like a bed, where openings may become blocked.
12. A heater has hot and arcing or sparking parts inside. Do not use it in areas where gasoline, paint, or flammable liquids are used or stored.
13. Use this heater only as described in this manual. Any other use not recommended by the manufacturer may cause fire, electric shock, or injury to persons.
14. Avoid the use of an extension cord because the extension cord may overheat and cause a risk of fire. However, if you have to use an extension cord, the cord shall be No. 16 AWG minimum size and rated not less than 1500 watts.

15. SAVE THESE INSTRUCTIONS.

Safety First

DANGERS and *Cautions*

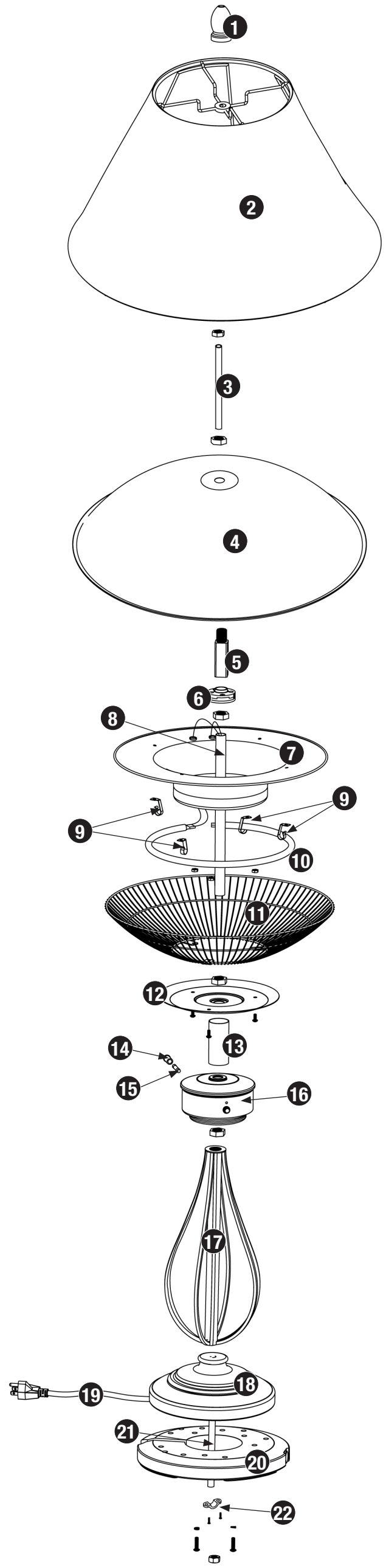
- ▲ This heater is for outdoor use only.
- ▲ This heater is NOT for commercial use.
- ▲ This is for use with electricity.
- ▲ For residential use only. This grill is NOT for commercial use.
- ▲ Longer detachable power-supply cords or extension cords are available and may be used if care is exercised in their use.
- ▲ This heater is safety certified for use in the United States and/or Canada only. Do not modify for use in any other location. Modification will result in a safety hazard.
- ▲ Apartment Dwellers: Check with management to learn the requirements and fire codes for using an electric heater in your apartment complex. If allowed, use outside on the ground floor with a ten (10) foot (3.05 m) clearance from any structure. Do not use on or under balconies.
- ▲ If a longer detachable power-supply cord or extension cord is used,
 - a. The cord shall be no. 16 AWG minimum size and rated not less than 1,500 watts.
 - b. The marked electrical rating of the cord set or extension cord should be at least as great as the electrical rating of the appliance, and
 - c. The cord should be arranged so that it will not drape over the countertop or tabletop where it can be pulled on by children or tripped over unintentionally.
- ▲ **ELECTRIC SHOCK CAN KILL OR RESULT IN SERIOUS INJURY. TO PREVENT ELECTRICAL SHOCK:**
 - a. Use only with GFI (Ground Fault Interrupter) protected circuit.
 - b. Do not use heater when raining.
 - c. To prevent heater from being splashed or falling into water, do not use heater within 10 feet of pool, pond, or other body of water.
 - d. Keep heater and cord dry and out of rain at all times.
 - e. Do not operate heater that has a damaged cord, plug, or metal probe. Call our customer service.
 - f. Never remove grounding plug, or use with an adapter to two prongs.
 - g. Keep electric plugs off ground, and dry.
- ▲ The use of alcohol, or prescription or non-prescription drugs may impair the consumer's ability to properly assemble or safely operate the appliance.
- ▲ Do not store or use gasoline or other flammable liquids or vapors within 25 feet (7.62 m) of this appliance.
- ▲ Do not use in an explosive atmosphere. Keep heater area clear and free from combustible materials, gasoline and other flammable vapors and liquids.
- ▲ **DO NOT** use this heater near any unprotected combustible constructions.
- ▲ Do not alter this heater in any manner.
- ▲ Do not use the heater unless it is **COMPLETELY** assembled and all parts are securely fastened and tightened.
- ▲ This heater should be thoroughly inspected on a regular basis.
- ▲ Use only Blue Rhino Global Sourcing, Inc. factory authorized parts. The use of any part that is not factory authorized can be dangerous. This will also void your warranty.
- ▲ Do not use this appliance without reading "Operating Instructions" in this manual.
- ▲ Do not touch metal parts of heater until it has completely cooled (about 45 min.) to avoid burns, unless you are wearing protective gear (pot holders, gloves, BBQ mittens, etc.).
- ▲ Do not touch hot surfaces.
- ▲ Do not use in or on boats or recreational vehicles.
- ▲ Do not leave a lit heater unattended, especially keep children and pets away from heater at all times.
- ▲ Do not attempt to move heater when in use. Allow the heater to cool before moving or storing.
- ▲ Always use your heater on a hard, non-combustible level surface.
- ▲ High temperature, keep electrical cords, drapery, and other furnishings at least 3 feet (0.9 m) from the front of the heater and away from the side and rear.
- ▲ After a period of storage and/or nonuse, inspect for any abrasion, wear, cuts to the electrical cord.
- ▲ The use of accessory attachments not recommended by the appliance manufacturer may cause injuries.
- ▲ Store products indoors when not in use – out of the reach of children.
- ▲ Servicing should be done only while the heater is disconnected from the power supply.
- ▲ To ensure continued protection against electrical shock, connect only to properly grounded outlets. Use with GFI protected electric outlet only.
- ▲ Do not immerse in water. Disconnect electric cord from outlet before cleaning, servicing and/or removing heating element.
- ▲ Do not partially or fully cover or obstruct this heater.
- ▲ Please use protective gloves when assembling this product.
- ▲ Do not force parts together as this can result in personal injury or damage to the product.
- ▲ Use this heater only as described in this manual. Any other use not recommended by the manufacturer may cause fire, electrical shock, or injury to persons.
- ▲ To reduce risk of shock, keep cord connection dry.
- ▲ Product must be fully assembled before operating the heater.
- ▲ Do not clean this product with a water spray or the like.
- ▲ Deaths, serious injury or damage to property may occur if the above is not followed exactly.

Parts List

1	Finial	56-01-600
2	Shade Assembly	56-01-001
3	Shade Pole	56-01-602
4	Dome*	56-01-603
5	Dome Brace*	56-01-495
6	Plastic Insulator*	56-01-496
7	Heat Reflector*	56-01-498
8	Inner Support Post*	56-01-509
9	Heating Element Clip (4)*	56-01-499
10	Heating Element*	56-01-500
11	Wire Guard*	56-01-501
12	Bottom Guard Plate*	
13	Post*	56-01-605
14	Fuse Cap*	56-01-504
15	Fuse (250V, 15A)*	56-01-505
16	Control Housing*	
17	Body	56-01-604
18	Base*	
19	Power Cord*	
20	Weight Plate*	
21	Inner Support Post*	
22	Power Cord Clamp	56-01-606

* Pre-assembled

Exploded View

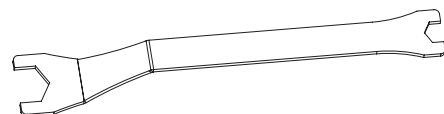


Hardware

A	Screw	M3x12 Nickel Plated	2 pcs
B	Nut	M10 Nickel Plated	1 pc

Tools Required for Assembly (Included)

Wrench



Assembly Instructions

1 DO NOT RETURN PRODUCT TO STORE.

For assistance call **1.800.762.1142** toll free. Please have your owner's manual and model number available for reference.

For Easiest Assembly:

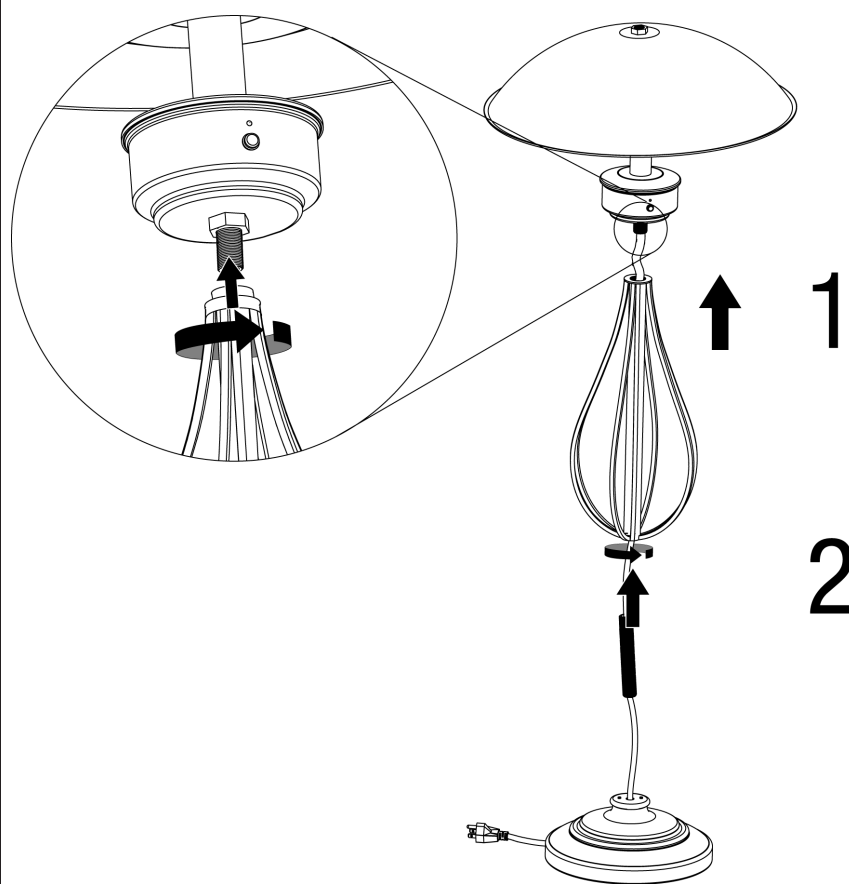
- To avoid losing any small components or hardware, assemble your product on a hard level surface that does not have cracks or openings.
- Clear an area large enough to layout all components and hardware.
- When applicable, tighten all hardware connections by hand first. Once the step is completed go back and fully tighten all hardware.
- Follow all steps in order to properly assemble your product.

Note: Two (2) adults may be required for assembly.

2 Attach Body to Head Assembly

Hold head assembly stationary, while securing body to prevent power cord from becoming damaged.

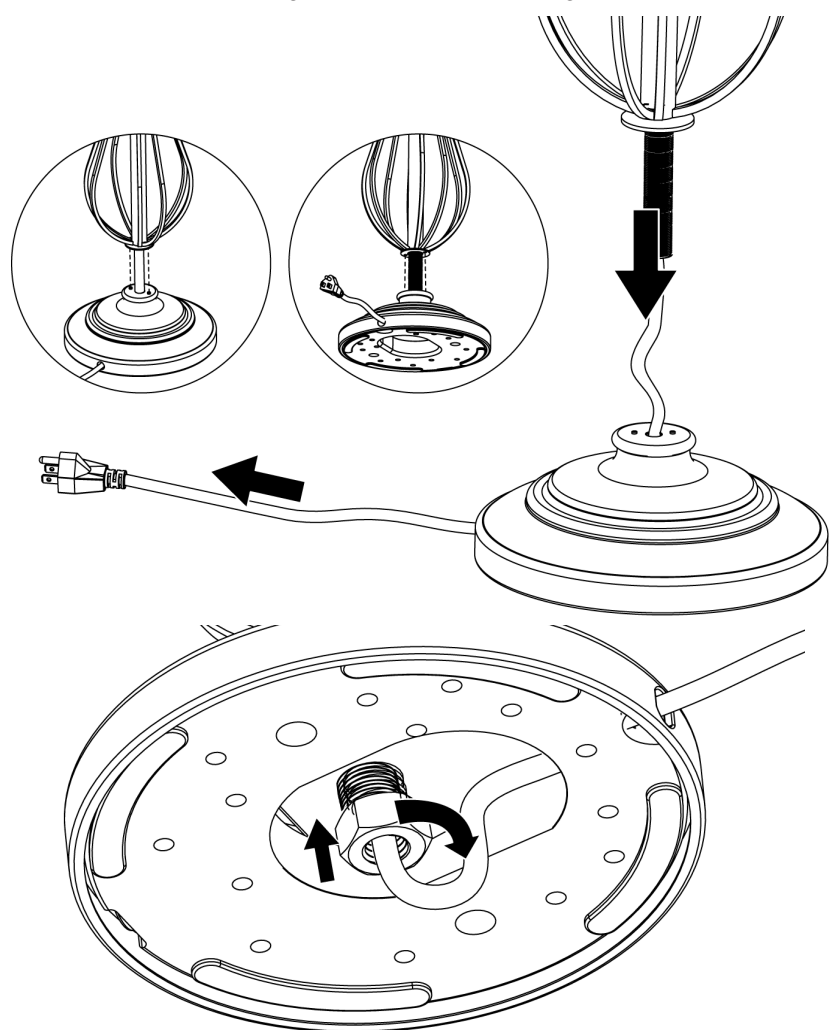
Note: Do NOT over tighten.



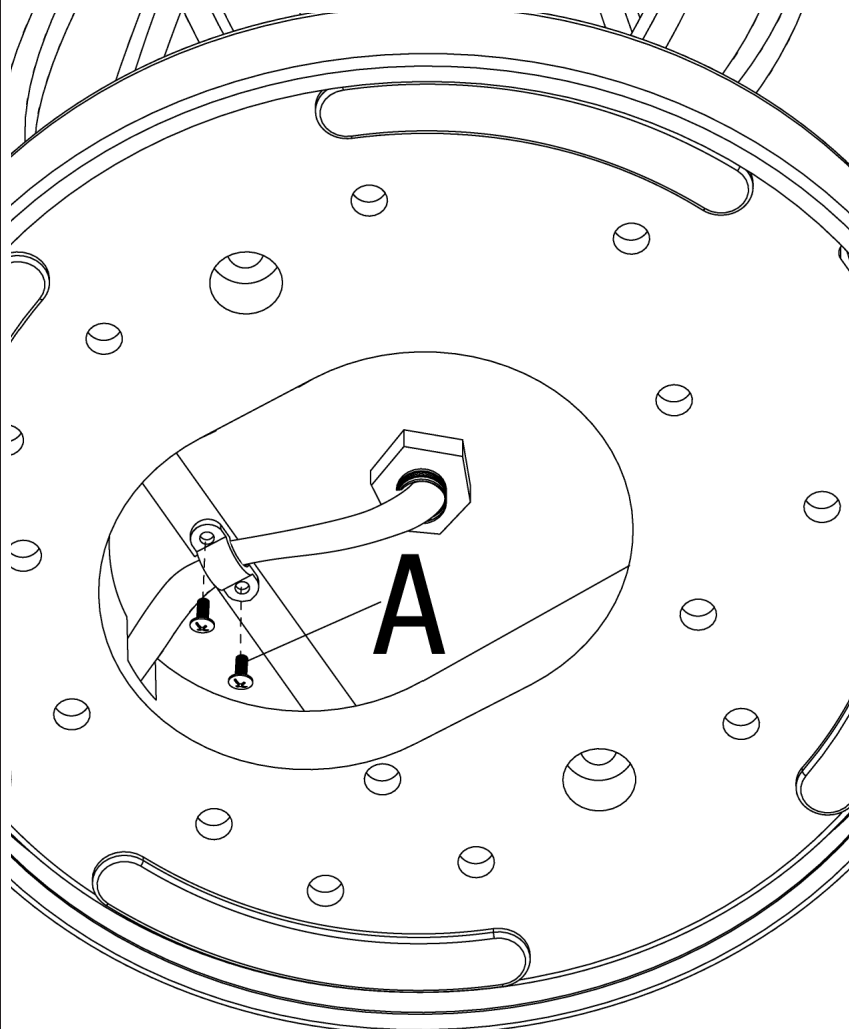
3 Attach Base Assembly, Pull Excess Power Cord, and Secure

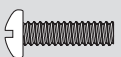
Align base nodule with body assembly nodule to prevent the body assembly from twisting.

Note: Use the wrench to tighten nut. Do NOT over tighten.



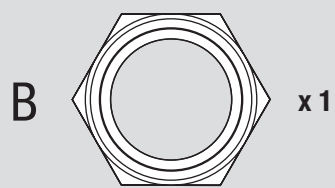
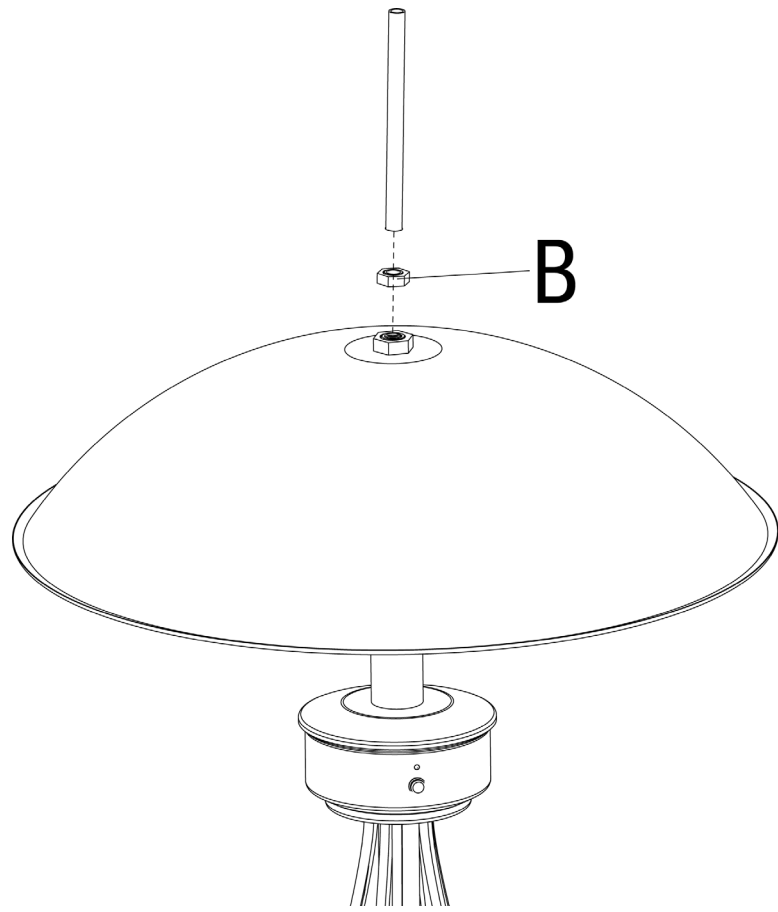
4 Secure Power Cord



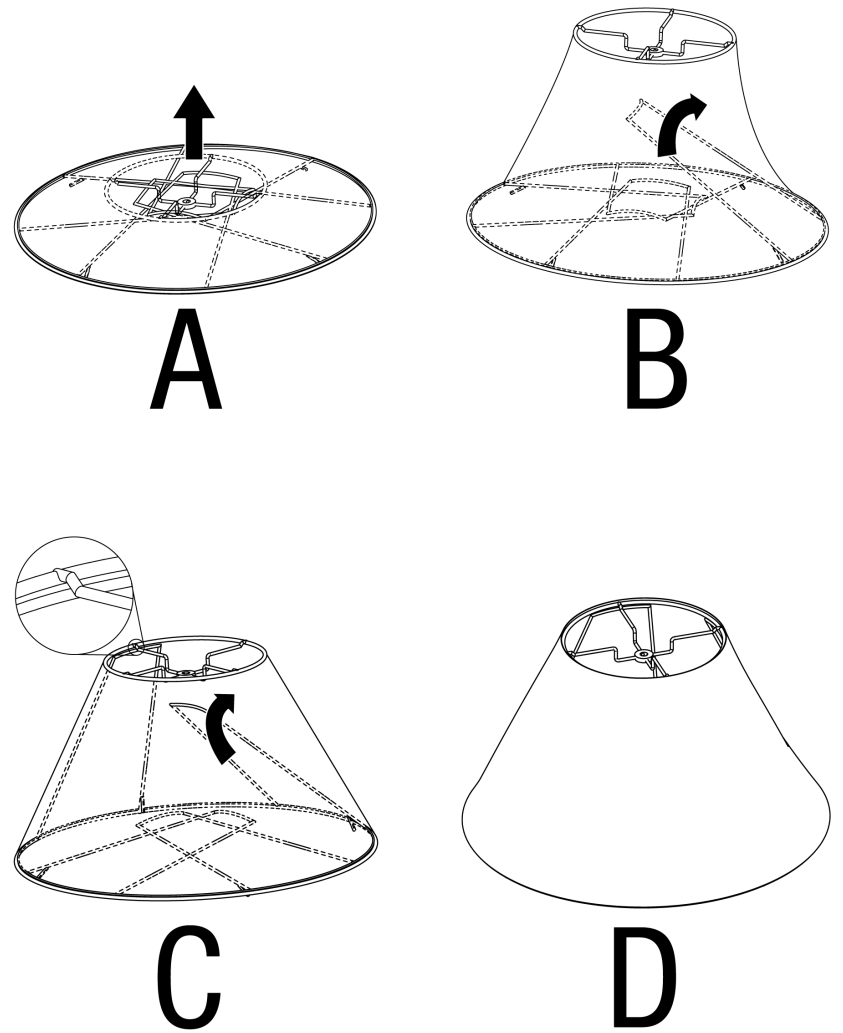
A  x 2

5 Attach Shade Pole

Note: Use the wrench to tighten nut. Do NOT over tighten.

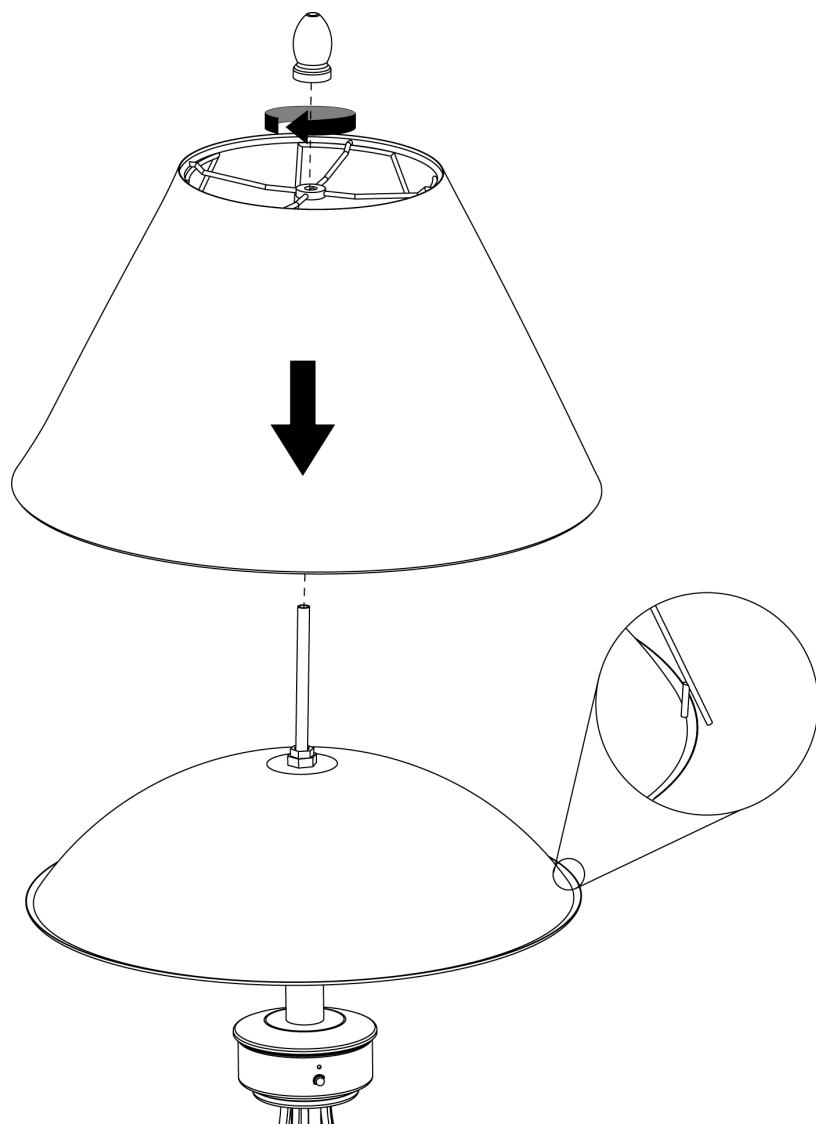


6 Assemble Shade



7 Place Shade and Attach Finial

Note: While tightening finial, make sure the four (4) feet of the shade rest on the dome. Do NOT over tighten.



Operating Instructions

NOTE: Heater functions best WITHOUT an extension cord.

1. The short cord is provided to reduce the risk of becoming entangled in or tripping over a longer cord.
2. An extension cord may be used, if care is exercised.
3. If an extension cord is necessary:
 - Use a UL approved, 3 prong plug (grounded) cord shall be no. 16 AWG minimum size and rated not less than 1500 watts.
 - **Never connect two or more extension cords together.**
 - Use the shortest extension cord possible.
 - Keep connections dry and off the ground.
 - Avoid draping the electric heater cord where children or animals could encounter it.

Grounding Instructions

1. This grill must be grounded while in use to protect the operator from electrical shock.
2. The grill is equipped with a 3-conductor cord and a dry GFI (Ground-Fault Interceptor) 3 prong outlet (Figure 1).

Before Turning "ON"

1. Make sure all labels, packaging and protective films have been removed from the heater.
2. Heater should be thoroughly inspected before each use, and by a qualified service person at least annually.

Turning "ON"

1. Plug the other end into a dry GFI (Ground-Fault Interceptor) 3 prong outlet, per "Grounding Instructions" section.

2. Push the power button. (Figure 2)
Note: The red LED light will glow while the heater is on.

Note: When restarting the heating element will start up slowly before getting to full power.

While Heater is "ON"

⚠ If heater tips over, the heater will automatically turn "OFF".

If heater tips over:

1. IMMEDIATELY unplug power cord from the wall outlet.
2. Carefully turn the heater upright.

⚠ CAUTION: Dome, pole and shroud cover may be hot. Use heat resistant gloves to set heater upright.

3. Inspect heater to ensure no damage.
 If no damage continue to next step.
 If there is damage call a qualified technician to inspect and make any necessary repairs.

⚠ Do NOT use the heater if there is any sign of damage. A qualified technician should inspect and make any necessary repairs before the heater is used again.

4. Start heater per "Turning 'ON'" instructions.

Turning "OFF"

1. Push the power button. (Figure 2)
2. Unplug the power cord from the wall outlet.

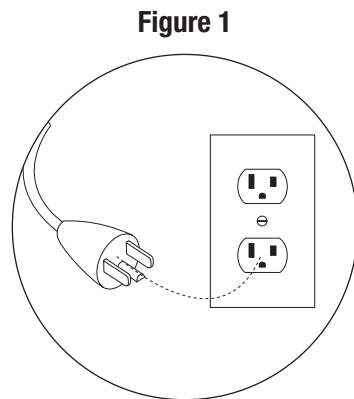


Figure 1

Connecting the power cord to a dry GFI 3 plug outlet.

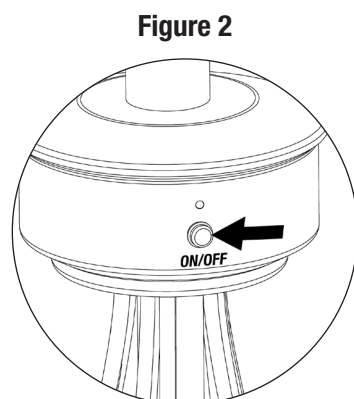


Figure 2

Power button

Cleaning and Care

Notices

1. Abrasive cleaners will damage this product.
2. Never use oven cleaner to clean any part of heater.
3. Do not clean any heater part in a self cleaning oven. The extreme heat will damage the finish.
4. Inspect heater before each use.
5. Have heater inspected annually and repairs should be made by a qualified service person.
6. Do not clean heater with combustible or corrosive cleaners. Use warm, soapy water.
7. Do not paint engine, engine panels or dome.
8. This heater should be thoroughly cleaned on a regular basis.
9. After a period of storage and/or non use, inspect for any abrasion, wear or cuts to the power cord.

Cleaning Surfaces

1. Wipe surfaces clean with a solution of water and mild dishwashing detergent or baking soda.
2. Wipe clean with damp cloth.

Note: While cleaning your unit, be sure to keep the area around the heating element dry at all times. Do not submerge the heating element. If the heating element is submerged in water, do NOT use it. It must be replaced.

Maintenance

To enjoy years of outstanding performance from your heater, make sure you perform the following maintenance activities on a regular basis:

1. Keep exterior surfaces clean.
2. Air flow must be unobstructed. Keep circulating air passages around the heating element clean.

Replacing the Fuse

1. Push the power button. (Figure 2)
2. Unplug the power cord from the wall outlet.
3. Using a screwdriver, remove the fuse cover. (Figure 4)
4. Carefully remove the old fuse, and replace with the new fuse. (Figure 5)

Note: ONLY replace the old fuse with a 250V 15A fuse.

5. Reattach the fuse cover.

Note: Do not over tighten

6. Follow the Turning "ON" instructions or the Storage Instructions.

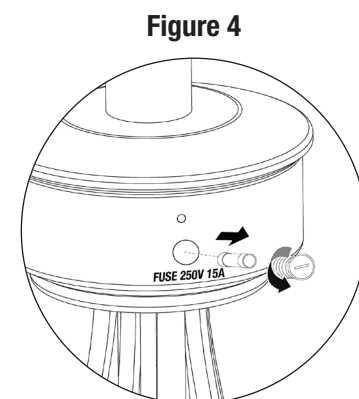


Figure 4

Remove fuse cover

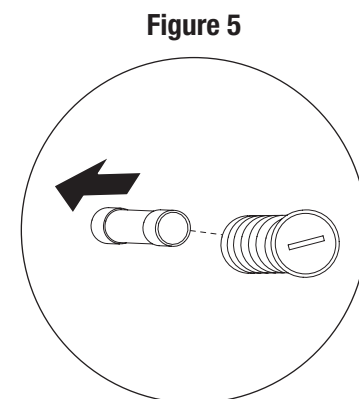


Figure 5

Remove old fuse

Storage

Between Uses and During Periods of Extended Inactivity or When Transporting:

1. Push the power button. (Figure 2)
2. Unplug the power cord from the wall outlet.
3. Store heater upright in an area sheltered from direct contact with inclement weather (such as rain, sleet, hail, snow, dust and debris).
4. If desired, cover heater to protect exterior surfaces and to help prevent build up in air passages.

⚠ Wait until heater is cool before covering.

Product Registration

For faster warranty service, register your product immediately at www.bluerhino.com or call 1.800.762.1142.

Limited Warranty

Blue Rhino Global Sourcing, Inc ("Vendor") warrants to the original retail purchaser of this product, and to no other person, that if this product is assembled and operated in accordance with the printed instructions accompanying it, then for a period of one (1) year from the date of purchase, all parts in such product shall be free from defects in material and workmanship. Vendor may require reasonable proof of your date of purchase. Therefore, you should retain your sales slip or invoice. This Limited Warranty shall be limited to the repair or replacement of parts, which prove defective under normal use and service and which Vendor shall determine in its reasonable discretion upon examination to be defective. Before returning any parts, you should contact Vendor's Customer Service Department using the contact information listed below. If Vendor confirms, after examination, a defect covered by this Limited Warranty in any returned part, and if Vendor approves the claim, Vendor will replace such defective part without charge. If you return defective parts, transportation charges must be prepaid by you. Vendor will return replacement parts to the original retail purchaser, freight or postage prepaid.

This Limited Warranty does not cover any failures or operating difficulties due to accident, abuse, misuse, alteration, misapplication, improper installation or improper maintenance or service by you or any third party, or failure to perform normal and routine maintenance on the product as set out in this owner's manual. In addition, the Limited Warranty does not cover damage to the finish, such as scratches, dents, discoloration, rust or other weather damage, after purchase.

This Limited Warranty is in lieu of all other express warranties. Vendor disclaims all warranties for products that are purchased from sellers other than authorized retailers or distributors, including the warranty of merchantability or the warranty of fitness for a particular purpose. VENDOR ALSO DISCLAIMS ANY AND ALL IMPLIED WARRANTIES, INCLUDING WITHOUT LIMITATION THE IMPLIED WARRANTIES OF MERCHANTABILITY AND FITNESS FOR A PARTICULAR PURPOSE. VENDOR SHALL HAVE NO LIABILITY TO PURCHASER OR ANY THIRD PARTY FOR ANY SPECIAL, INDIRECT, PUNITIVE, INCIDENTAL, OR CONSEQUENTIAL DAMAGES. Vendor further disclaims any implied or express warranty of, and assumes no responsibility for, defects in workmanship caused by third parties.

This Limited Warranty gives the purchaser specific legal rights; a purchaser may have other rights depending upon where he or she lives. Some jurisdictions do not allow the exclusion or limitation of special, incidental or consequential damages, or limitations on how long a warranty lasts, so the above exclusion and limitations may not apply to everyone.

Vendor does not authorize any person or company to assume for it any other obligation or liability in connection with the sale, installation, use, removal, return, or replacement of its equipment, and no such representations are binding on Vendor.

Blue Rhino Global Sourcing, Inc
Winston-Salem, North Carolina USA
(800) 762-1142

Specifications

Certifications:

CSA International Requirement 22.2 No. 46-M1988
UL 1278

Fuel:

Electric

Power:

Maximum 1,200 Watts

Voltage:

120V AC

Frequency:

60 Hz

Net Weight:

16 lbs / 7.2 Kgs

Unit Dimensions:

19.7 in L x 19.7 in W x 37.4 in H / 50 cm x 50 cm x 95 cm

Manufacturer:

Blue Rhino Global Sourcing, Inc

Made In:

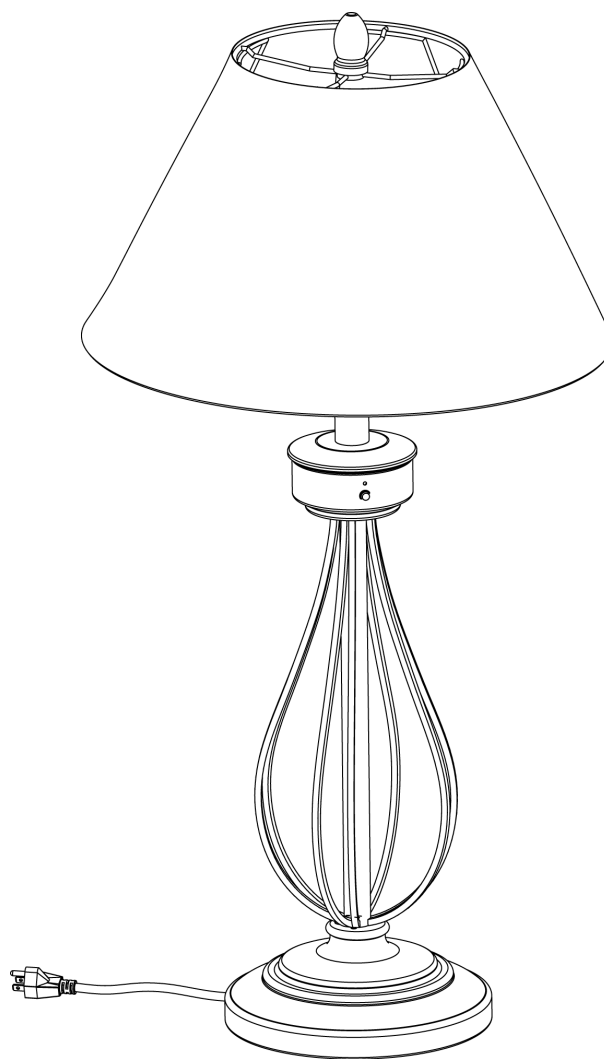
China

Troubleshooting

Problem	Possible Cause	Prevention/Cure
Unit will not operate	Not plugged in	Plug cord into grounded outlet
	Fuse is blown	Replace fuse
	Loose wiring	Call Customer Care Center
	Reset Button is not activated	Press restoration button
	Heating Element is worn out	Contact Customer Care at 1.800.762.1142 for new heating element and replacement instructions.
If problems can not be corrected by using these methods, please contact 1.800.762.1142 for assistance.		

Calentador eléctrico para patio

Modelo no. EWTS9151M



ADVERTENCIA
PARA SU SEGURIDAD:
 Solamente para uso en exteriores
 (fuera de cualquier recinto)

ADVERTENCIA
PARA SU SEGURIDAD:

1. Una instalación, ajuste, alteración, reparación o mantenimiento inadecuados pueden causar lesiones o daños a la propiedad.
2. Lea atentamente las instrucciones de instalación, funcionamiento y mantenimiento del equipo antes de instalarlo, ponerlo en marcha o darle servicio.
3. El no seguir estas instrucciones puede ocasionar un incendio o una explosión, con sus consecuentes daños a la propiedad, lesiones personales y hasta accidentes fatales.
4. Este manual de instrucciones contiene información fundamental y necesaria para el armado correcto y uso seguro del artefacto.
5. Lea y respete todas las advertencias e instrucciones antes de armarlo y de utilizarlo.
6. Siga todas las advertencias e instrucciones al utilizar este artefacto.
7. Guarde este manual para consultarlo en el futuro.

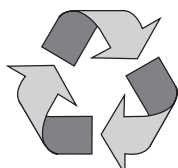
ADVERTENCIA
PARA SU SEGURIDAD:
 No guarde o use gasolina u otros líquidos o vapores inflamables cerca de esta unidad o de cualquier otro aparato.

PELIGRO
 No deje una parrilla encendida sin vigilancia.

Peligro
 NO use la parrilla eléctrica para cocinar en un interior o calentar un ambiente. NO debe usarse en o dentro de una embarcación o un vehículo de recreo.

Indice	
Salvaguardias importantes	Page 2
Diagrama de explosión y elementos de ferretería	3
Instrucciones de armado	4
Instrucciones de operación	5
Instrucciones de conexión a tierra	5
Antes de encender la unidad (ON)	5
Encendido	5
Cuando el calentador está encendido (ON)	5
Apagar la unidad (OFF)	5
Limpieza y cuidado	6
Limpieza de las superficies	6
Mantenimiento	6
Reemplazo del fusible	6
Almacenamiento	6
Entre uso y uso y durante períodos largos de inactividad o para su transporte	6
Registro del producto	7
Garantía limitada	7
Especificaciones	7
Resolución de problemas	7

Conserve estas instrucciones para futuras consultas. Si está montando esta unidad para otra persona, entréguele este manual para futuras consultas.



Hecho con 75% de bagazo de caña
 (subproducto de la caña de azúcar respetuoso del medio ambiente)



Fabricado en China para: Blue Rhino Global Sourcing, Inc
 Winston-Salem, NC EE.UU. • 1.800.762.1142, www.bluerhino.com

© Blue Rhino Global Sourcing, Inc. Todos los derechos reservados.
 UniFlame® es una marca registrada de Blue Rhino Global Sourcing, Inc. Todos los derechos reservados.

PRECAUCIONES IMPORTANTES

Al utilizar aparatos eléctricos, siempre se deberían seguir simples precauciones de seguridad, que incluyan lo siguiente:

1. Lea todas las instrucciones.
2. Este calentador, cuando se usa, se calienta especialmente en la cúpula. Para evitar quemaduras, no toque las superficies calientes sin adecuada protección para la piel. Mantenga materias combustibles y artículos tales como cables eléctricos, muebles, papeles, ropas, y cortinas a una distancia de por los menos 90 cm del frente del calentador y alejados de sus costados y superficie de atrás.
3. Debe tenerse extremo cuidado cuando el calentador sea utilizado por o cerca de niños o personas discapacitadas y cuando el calentador se deje operando sin vigilancia
4. Siempre desenchufe el calentador cuando no lo esté usando.
5. No haga funcionar esta unidad con el cable de conexión o el enchufe dañados o después de que el mismo haya presentado un mal funcionamiento o haya sido dañado. Reclame en el centro de servicio autorizado para revisar, reparar o ajustar su unidad.
6. Este calentador no está diseñado para uso en baños, áreas de lavandería y lugares similares en interiores. Nunca ubique el calentador donde pueda caerse en una tina u otro contenedor de agua.
7. No pase el cable por debajo de una alfombra. No cubra el cable con alfombras pequeñas, tapetes de pasillo, o cubiertas similares. Coloque el cable alejado de áreas de tránsito de personas y donde no cree

obstáculos o riesgos de enredar.

8. Para desconectar el calentador, coloque los controles en la posición Off (apagado), luego extraiga el enchufe del tomacorriente.
9. Use este aparato únicamente con receptáculo eléctrico con conexión a tierra.
10. No introduzca o permita que objetos extraños entren por las aberturas de entrada o salida de la ventilación, pues esto puede causar choque eléctrico, originar un incendio o dañar el calentador.
11. Para evitar un posible incendio, no bloquee de ninguna manera las entradas ni salidas de aire. No coloque el producto sobre superficies suaves, como la cama, donde las aberturas podrían bloquearse.
12. Un calentador tiene partes calientes y de arco o chispa eléctrica en el interior. No utilice el producto en áreas donde se use o almacene gasolina, pintura o líquidos inflamables.
13. Use este calentador sólo como se describe en este manual. Cualquier otro uso no recomendado por el fabricante puede causar incendio, choque eléctrico o lesiones personales.
14. Evite el uso de un cable de extensión porque éste puede sobrecalentarse y causar un riesgo de incendio. Sin embargo, si tiene que usar un cable de extensión, éste debe tener un calibre mínimo de 16 AWG y estar clasificado para no menos de 1500 vatios.

15. GUARDE ESTAS INSTRUCCIONES.

La seguridad primero

PELIGROS y Precauciones

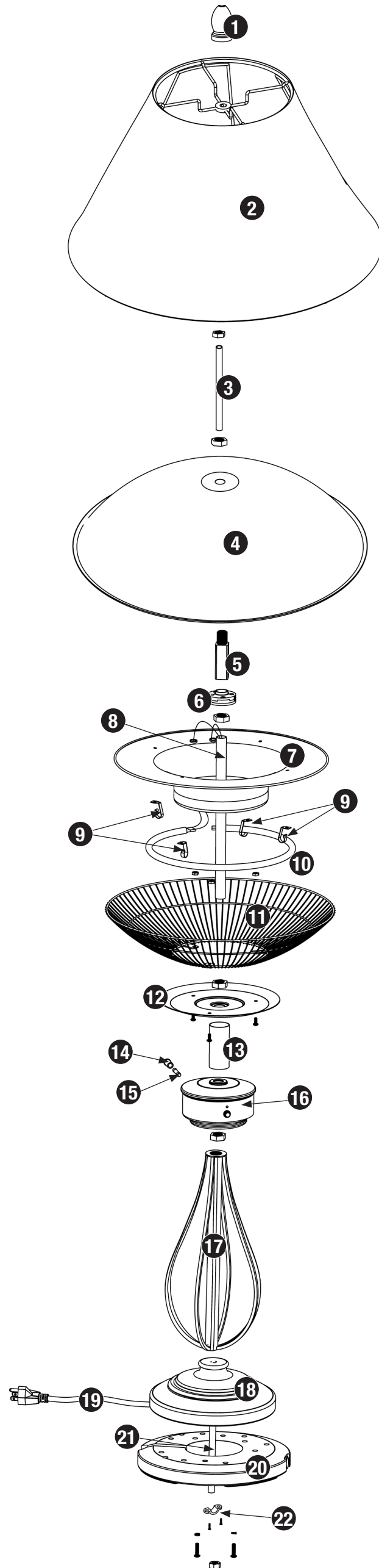
- ▲ Este calentador es para ser usado al aire libre únicamente.
- ▲ El calentador NO ha sido diseñado para usos comerciales.
- ▲ Este calentador debe ser usado con corriente eléctrica únicamente
- ▲ Para uso residencial únicamente. Esta parrilla NO ha sido diseñada para uso comercial.
- ▲ Existen cables largos de suministro de corriente desconectables o cables de extensión que pueden usarse si se ejerce cuidado en la forma de emplearlos.
- ▲ Esta calentador tiene certificación de seguridad para uso en los Estados Unidos y/o Canadá solamente. No modifique la unidad para uso en otros lugares. La modificación causará un riesgo de seguridad y anulará la garantía.
- ▲ Habitantes de apartamentos: consulte con la administración para obtener información sobre los requisitos y códigos de incendio correspondiente al uso de chimeneas para exteriores en su edificio de departamentos. Si están permitidas, úsela fuera de la vivienda sobre el piso con una separación de diez (10) pies (3 m) de cualquier construcción. No la utilice sobre balcones o debajo de los mismos.
- ▲ Si va a usar un cable desconectable de suministro de corriente, o si se usa un cable de extensión, observe las siguientes precauciones:
 - a. El cable debe ser de por lo menos Número 16 AWG y debe estar clasificado para corrientes de por lo menos de 1,500 vatios.
 - b. La clasificación eléctrica marcada en el cable o en el cable de extensión debe ser por lo menos de la magnitud de la clasificación eléctrica de la unidad, y
 - c. El cable debe estar dispuesto de manera que no cuelgue por sobre una mesa o un estante donde un niños pueda halarlo o, sin intención, enredarse en el cable.
- ▲ EL CHOQUE ELECTRICO PUEDE PRODUCIR LA MUERTE U OCASIONAR UNA GRAVE LESION. PARA EVITAR EL CHOQUE ELECTRICO:
 - a. Use la unidad únicamente con circuito protegido con interruptor para falla de conexión a tierra (GFI).
 - b. No use este calentador cuando esté lloviendo.
 - c. Para evitar que el calentador se salpique de agua o caiga en el agua, no use el calentador a menos de 10 pies (3 metros) de una piscina, estanque o cualquier otra masa de agua.
 - d. Mantenga el calentador y el cable secos y protegidos de la lluvia en todo momento.
 - e. No opere el calentador con el cable, el enchufe o la sonda de metal dañados. Llame a nuestro servicio al cliente para reemplazar el controlador. Este controlador ha sido hecho específicamente para este calentador.
 - f. Nunca remueva del enchufe la clavija de conexión a tierra ni use un adaptador con solo dos clavijas.
 - g. Mantenga los enchufes eléctricos secos y sin tocar el piso.
- ▲ El uso de bebidas alcohólicas, medicamentos o drogas de farmacia puede afectar la habilidad del usuario para armar debidamente u operar en forma segura este aparato.
- ▲ No guarde o use gasolina u otros líquidos o vapores inflamables a menos de 25 pies (7,62 m) de esta unidad.
- ▲ No lo use en una atmósfera explosiva. Mantenga la zona del calentador libre de materiales combustibles, gasolina y cualquier otro vapor o líquido inflamable.
- ▲ NO USE este calentador cerca de cualquier construcción combustible que no tenga protección contra la combustión.
- ▲ No altere el calentador de ninguna forma.
- ▲ No utilice el calentador a menos que esté COMPLETAMENTE montada y que todas las piezas estén bien fijadas y apretadas.
- ▲ Este calentador debe limpiarse y verificarse completamente de manera regular.
- ▲ Use únicamente piezas autorizadas de fábrica de Blue Rhino Global Sourcing, Inc. El uso de cualquier pieza no autorizada de fábrica puede ser peligroso. Su uso invalida su garantía.
- ▲ No encienda esta unidad sin haber leído las instrucciones de "Encendido" que se encuentran en este manual.
- ▲ No toque las piezas de metal del calentador hasta que no se haya enfriado completamente (alrededor de 45 minutos) para evitar quemaduras, a menos que usted tenga puestos elementos de protección tales como guantes o almohadilla para las ollas, guantes de barbacoa, etc.
- ▲ No toque las superficies calientes.
- ▲ NO instale o utilice el calentador en embarcaciones o vehículos de recreo.
- ▲ No deje un calentador encendido sin vigilancia, especialmente, mantenga los niños y las mascotas lejos del calentador en todo momento.
- ▲ No intente mover el calentador mientras esté encendido. Deje que el calentador se enfríe antes de moverlo o guardarlo.
- ▲ Coloque siempre el calentador sobre una superficie firme, nivelada y no combustible.
- ▲ Alta temperatura: mantenga los cables eléctricos, cortinas y otros accesorios a una distancia de por lo menos 3 pies (0,9 m) de la parte frontal del calentador y lejos de los lados y parte posterior
- ▲ Después de un período de almacenamiento o un tiempo en el cual la unidad ha dejado de usarse, inspecciónela para detectar cualquier abrasión, desgaste o cortes en el cable eléctrico.
- ▲ El uso de accesorios no recomendados por el fabricante de la unidad puede ocasionar lesiones.
- ▲ Guarde la unidad en recinto cubierto cuando no esté usándola y fuera del alcance de los niños.
- ▲ El servicio de la unidad debe realizarse únicamente cuando el calentador esté desconectado de la fuente de energía.
- ▲ Para asegurar una protección constante contra el choque eléctrico, enchufe la unidad únicamente en receptáculos adecuadamente conectados a tierra. Para reducir el riesgo de choque eléctrico, use únicamente receptáculos eléctricos de 3 aletas del tipo GFI – Ground Fault Interruptor – de conducto a tierra.
- ▲ No sumerja la unidad en agua. Desconecte el cable eléctrico del receptáculo antes de limpiar, dar servicio o remover el elemento de calefacción
- ▲ No cubra total o parcialmente este calentador ni obstruya su circulación de aire.
- ▲ Sírvase usar guantes de protección cuando esté armando este producto.
- ▲ No trate de forzar las partes de esta unidad, pues esto puede causar lesiones personales o dañar el producto.
- ▲ Use este calentador únicamente en la forma que se describe en este manual. Cualquier uso que no esté recomendado por el fabricante puede ser causa de un incendio, choque eléctrico o lesiones personales.
- ▲ Para reducir el riesgo de choque eléctrico, mantenga seca la conexión del cordón.
- ▲ El producto debe estar totalmente ensamblado antes de hacer funcionar el calentador.
- ▲ No limpie este producto con un atomizador de agua u otros productos similares.
- ▲ El no seguir exactamente las instrucciones dadas arriba puede producir daños a la propiedad, lesiones serias y hasta fatales

Lista de piezas

1	Florón	56-01-600
2	Pantalla	56-01-001
3	Polo de la pantalla	56-01-602
4	Cúpula*	56-01-603
5	Soporte de la cúpula*	56-01-495
6	Aislador de plástico*	56-01-496
7	Reflector de calor*	56-01-498
8	Poste interior de soporte*	56-01-509
9	Gancho del elemento de calefacción (4)*	56-01-499
10	Elemento de calefacción*	56-01-500
11	Resguardo de alambre*	56-01-501
12	Placa protectora inferior*	
13	Poste*	56-01-605
14	Tapa de fusible*	56-01-504
15	Fusible (250 voltios y 15 amperios)*	56-01-505
16	Carcasa de control*	
17	Cuerpo	56-01-604
18	Base*	
19	Cable de alimentación*	
20	Placa de contrapeso*	
21	Poste de soporte interior*	
22	Abrazadera del cable de alimentación eléctrica	56-01-606

* Viene ensamblado

Diagrama de explosión

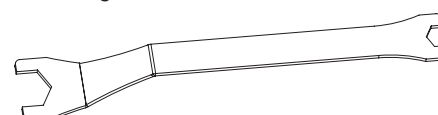


Elementos de ferretería

A	Tornillo	Niquelado, M3x12	2 pzs
B	Tuerca	Niquelada, M10	1 pz

Herramientas necesarias para el armado (incluidas)

Llave inglesa



Instrucciones de armado

1 NO DEVUELVA EL PRODUCTO AL LUGAR DE COMPRA

Si necesita ayuda llame, sin cargo, al **1.800.762.1142**. Por favor tenga a mano su manual y el número del modelo, para referencia.

Para facilitar el armado:

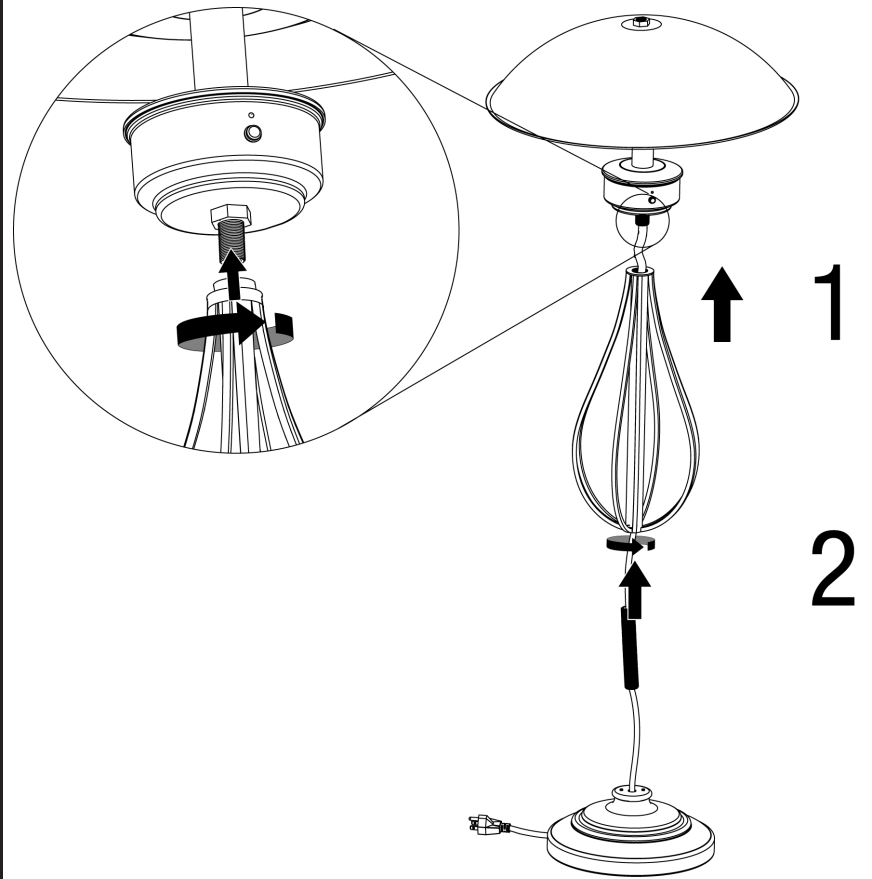
- Evite la pérdida de componentes pequeños o elementos de ferretería, armando el producto en un lugar de piso plano sin aberturas ni hendiduras.
- Despeje un área suficientemente grande para disponer todos los componentes y los elementos de ferretería.
- Cuando sea del caso, apriete a mano, en un principio, las conexiones de ferretería. Una vez que ha terminado el paso, apriete completamente todos los elementos de ferretería.
- Siga todos los pasos en el orden indicado para armar debidamente esta unidad.

Nota: Se recomienda armar el producto entre (2) adultos

2 Acople el cuerpo al conjunto superior

Mantenga el conjunto superior en posición fija al asegurar el cuerpo para no dañar el cable de alimentación.

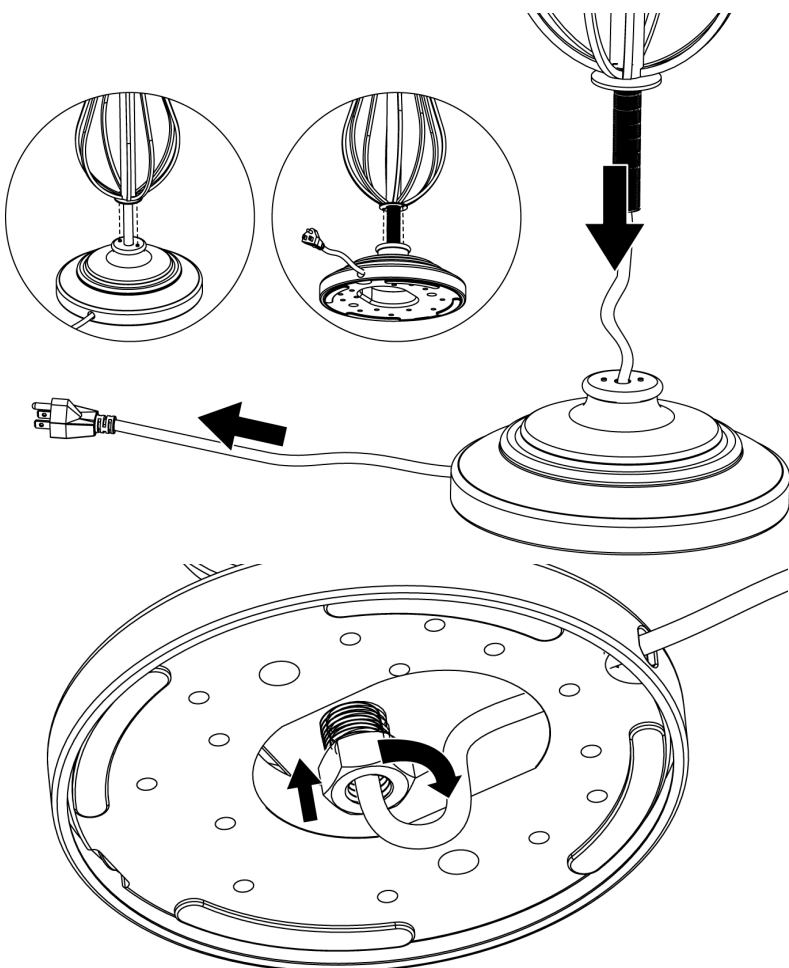
Nota: NO apriete demasiado.



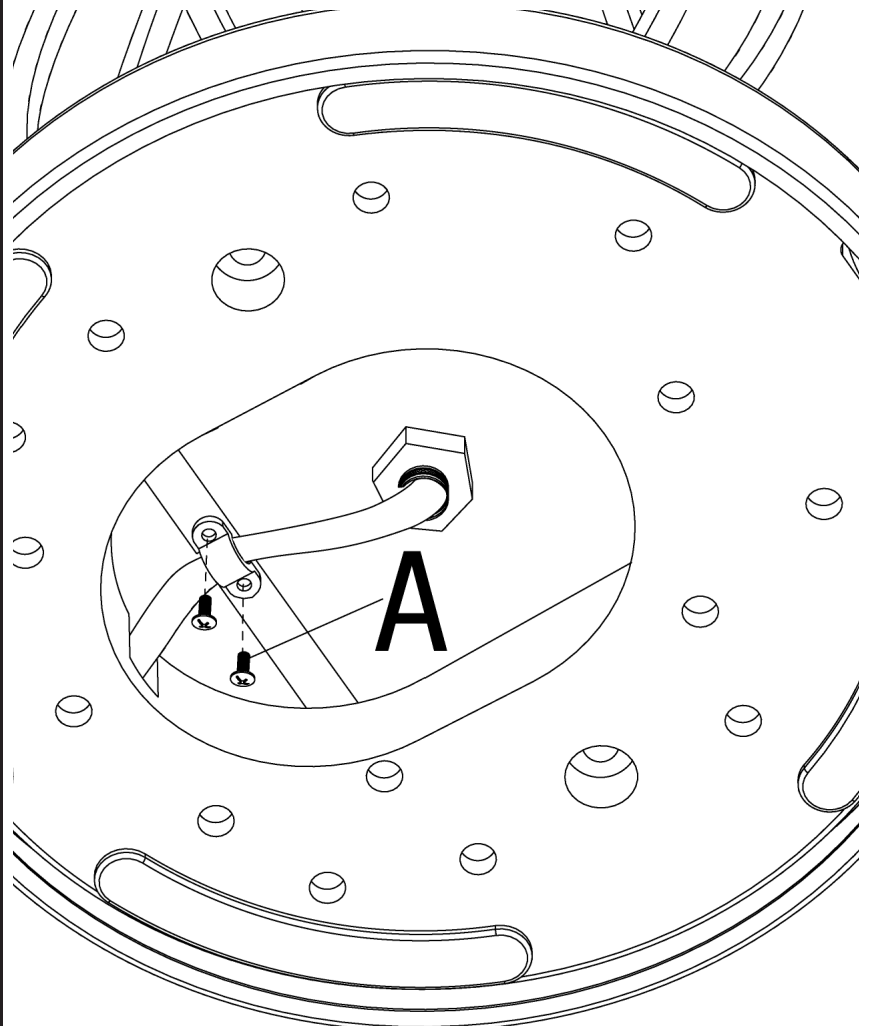
3 Acople el conjunto de la base, jale el cable de alimentación eléctrica sobrante y asegúrelo


Alinee el nódulo de la base de montaje con el conjunto del cuerpo para que no se tuerza el cuerpo.

Nota: Utilice la llave de tuercas para apretar la tuerca. NO apriete demasiado.



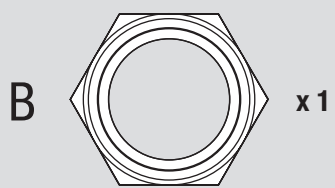
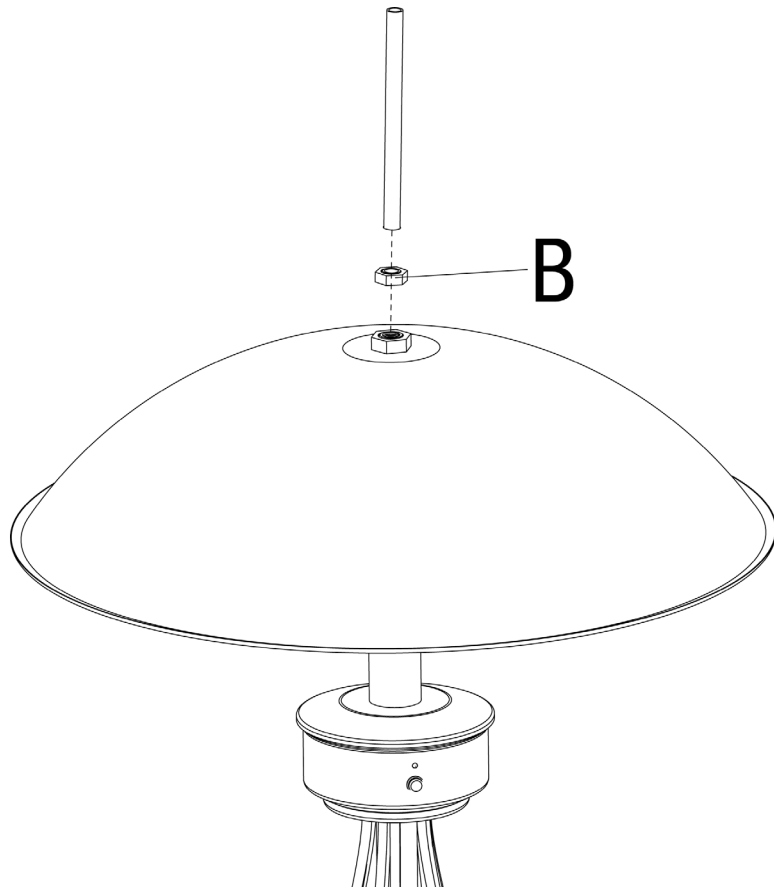
4 Asegure el cable de alimentación eléctrica



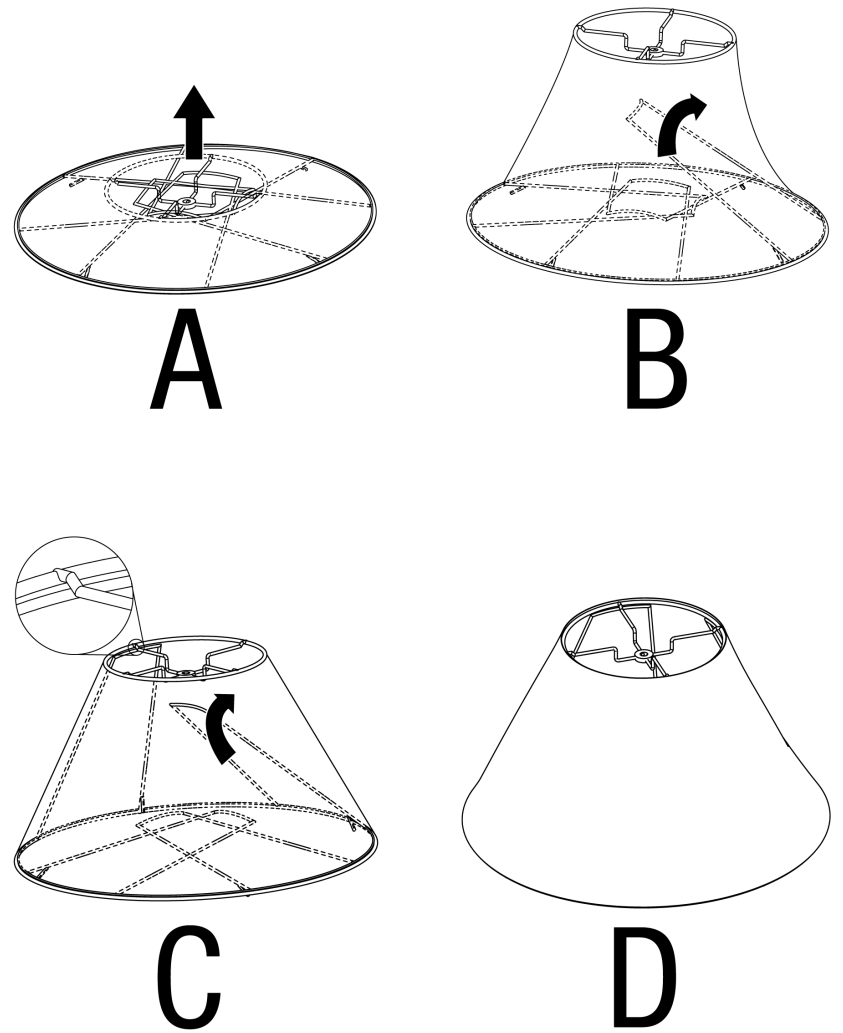
A  x 2

5 Acople el polo de la pantalla

Nota: Utilice la llave de tuercas para apretar la tuerca. NO apriete demasiado.

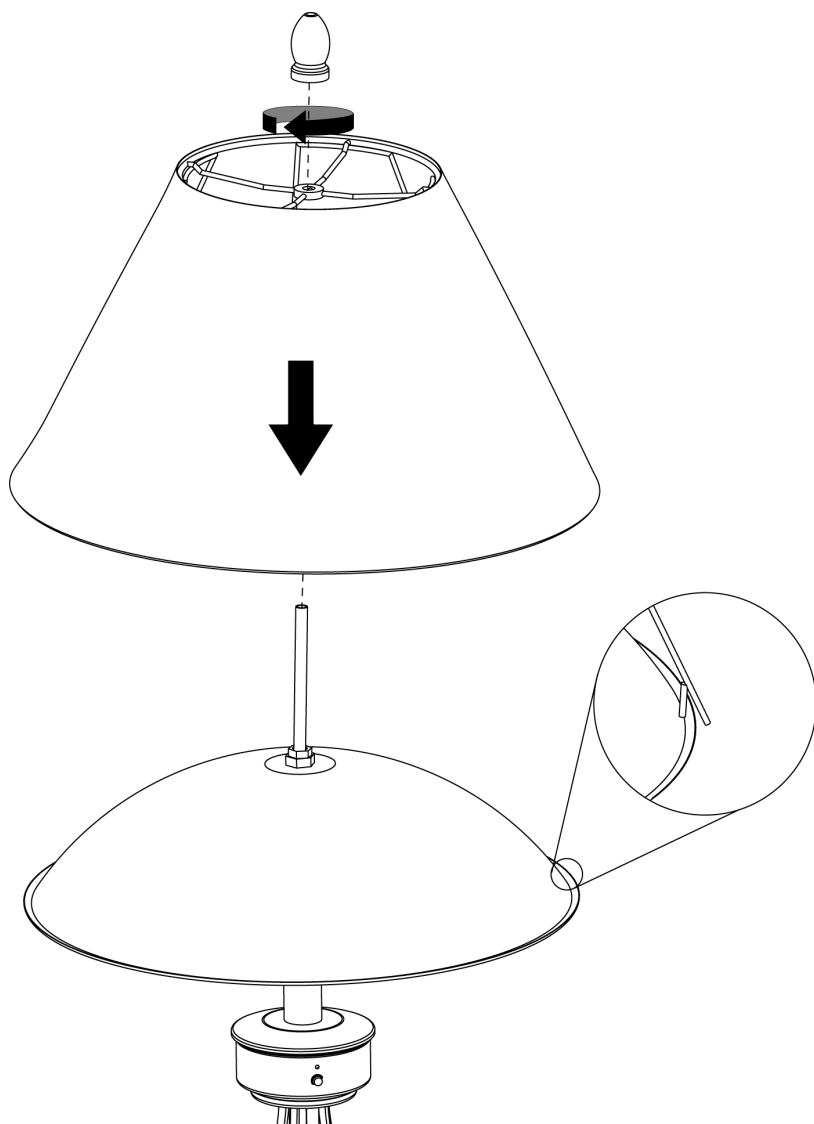


6 Acople la pantalla



7 Coloque la pantalla y acople el florón

Nota: Mientras aprieta el florón, asegúrese de que los cuatro (4) pies de la pantalla descansen sobre la cúpula. NO apriete demasiado.



Instrucciones de operación

Nota: La calentador funcionará mejor si NO usa un cable de extensión.

1. El cable corto se proporciona para reducir el riesgo de enredarse o tropezarse con un cable largo.
2. Si utiliza un cable de extensión, tenga cuidado.
3. Si necesita un cable de extensión:
 - Use un enchufe de 3 clavijas clasificado por UL (con conexión a tierra). El cable debe ser de calibre núm. 16 AWG como mínimo y tener clasificación para 1500 vatios mínimo.
 - **Nunca conecte dos o más cables de extensión juntos.**
 - Use la extensión más corta posible.
 - Mantenga las conexiones secas y sin tocar el piso.
 - Evite colocar el cable del calentador donde los niños o animales puedan accidentalmente halarlo.

Instrucciones de conexión a tierra

1. Esta parrilla debe estar conectada a tierra durante el uso para proteger al operador contra choque eléctrico.
2. La parrilla cuenta con un cable de 3 conductores y un enchufe de 3 clavijas GFI seco (interceptor de fallo a tierra), vea Figura 1.

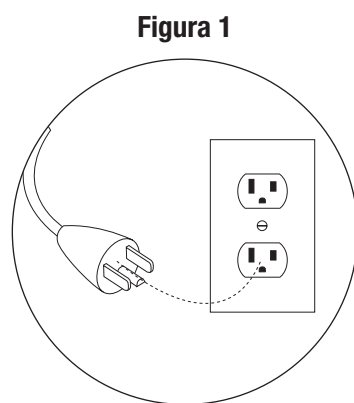


Figura 1

Conexión del cable de alimentación en un receptáculo de 3 aletas GFI.

Antes de encender la unidad (ON)

1. Verifique que todos los empaques, etiquetas y envolturas de protección han sido removidos del calentador.
2. El calentador debe inspeccionarse minuciosamente antes de cada uso y por un especialista en servicio calificado por lo menos una vez al año.

Encendido - "ON"

1. Enchufe el otro extremo en un tomacorriente tripolar con interceptor de fallo a tierra (GFI) seco según lo descrito en la sección "Instrucciones de conexión a tierra".
3. Presione el botón del interruptor (vea la Figura 2).

Nota: Cuando el calentador se vuelva a encender el elemento de calefacción comenzará a encender lentamente antes de llegar a su potencia total.

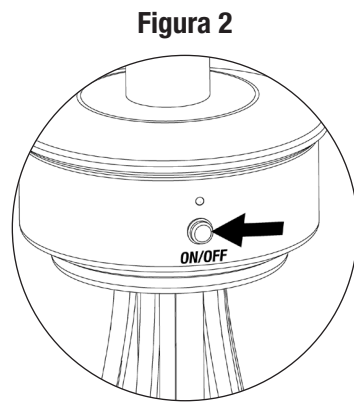


Figura 2

Botón del interruptor

Cuando el calentador está encendido (ON)

⚠ Cuando el calentador está encendido (ON), si el calentador se voltea, la unidad se apaga (OFF) automáticamente.

Si el calentador se voltea:

1. **IMEDIATAMENTE** desenchufe el cable de alimentación, del receptáculo de pared.
2. Cuidadosamente vuelva a colocar el calentador en su posición vertical.

⚠ PRECAUCION: La cúpula, el poste, la gualdera y la cubierta de la gualdera pueden estar calientes. Use guantes resistentes al calor para volver a colocar el calentador en posición vertical.

3. Inspeccione el calentador para verificar que no ha sufrido ningún daño. Si no observa ningún daño, continúe con el siguiente paso. Si la unidad se ha dañado, llame a un técnico calificado para que examine la unidad y haga las reparaciones que sean necesarias.

⚠ NO use el calentador si muestra cualquier signo de daño. Un técnico calificado deberá inspeccionar la unidad y hacer cualquier reparación que sea necesaria antes de volver a usar la unidad.

4. Encienda la calentador según lo descrito en la sección "Encendido - 'ON'".

Apagado (OFF)

1. Presione en botón del interruptor (Figura 2).
2. Desenchufe el cable de alimentación del receptáculo eléctrico.

Limpieza y cuidado

Avisos

1. **No use productos de limpieza abrasivos pues dañarán este aparato.**
2. **No utilice nunca productos limpiahornos para limpiar cualquier pieza del calentador.**
4. **Inspeccione el calentador cada vez que vaya a usarlo.**
5. **Pida que una persona calificada para dar servicio a la unidad examine cuidadosamente el calentador anualmente y haga las reparaciones que considere necesarias.**
6. **No limpie el calentador con limpiadores corrosivos o combustibles. Use agua tibia con jabón.**
7. **No pinte el motor, los paneles del motor o la cúpula.**
8. **Este calentador debe limpiarse completamente a intervalos regulares.**
9. **Después de que la unidad ha estado almacenada o sin usar por un cierto tiempo, examínela para detectar signos de abrasión, desgaste o cortes en el cable de alimentación.**

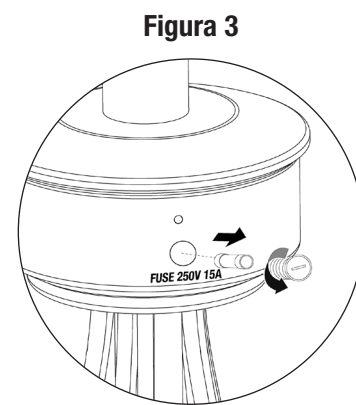


Figura 3

Remueva la tapa del fusible

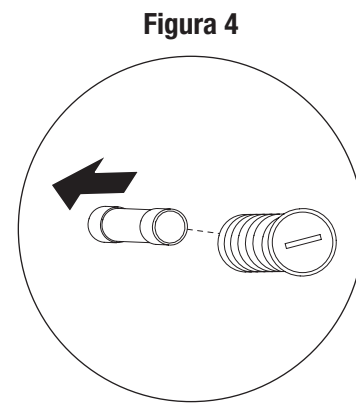


Figura 4

Remueva el fusible usado

Limpieza de las superficies

1. Limpie las superficies con agua y detergente suave de lavado de platos o con soda de hornear.
2. Enjuague las superficies con agua limpia.

Nota: Cuando limpie la unidad, asegúrese de mantener seca en todo momento el área alrededor del elemento de calefacción. No sumerja el elemento de calefacción. Si el elemento cae al agua, NO lo use. Debe ser reemplazado.

Mantenimiento

Para gozar por años de un rendimiento excepcional de su calentador, verifique que usted realiza con regularidad las siguientes operaciones de mantenimiento:

1. Mantenga limpias las superficies exteriores.
2. Mantenga libres de obstrucciones las aberturas de ventilación. Mantenga limpios y libre de obstrucciones los pasajes de aire alrededor del elemento de calefacción.

Reemplazo del fusible

1. Presione en botón del interruptor (Figura 2).
2. Desenchufe del receptáculo de pared el cable de alimentación.
3. Con un destornillador remueva la cubierta del fusible (vea la Figura 4).
4. Cuidadosamente remueva el fusible usado y reemplácelo con un nuevo fusible (vea la Figura 5).

Nota: El fusible de reemplazo debe ser ÚNICAMENTE de 250 Voltios y 20 Amperios.

5. Vuelva a colocar la cubierta de fusible.

Nota: No la apriete demasiado.

6. Siga las instrucciones de encendido para operar la unidad o las de almacenamiento para guardarla.

Almacenamiento

Entre uso y uso y durante períodos largos de inactividad o para su transporte:

1. Presione en botón del interruptor (Figura 2).
2. Desconecte el cable eléctrico.
3. Almacene el calentador de pie en una zona protegida del contacto directo con las inclemencias atmosféricas (como la lluvia, el aguanieve, el granizo, el polvo y la suciedad).
4. Si lo desea, cubra el calentador para proteger las superficies exteriores y ayudar a evitar las obstrucciones en los conductos de aire.

⚠ Espere hasta que el calentador esté frío antes de cubrirlo.

Registro del producto

Para beneficiar del servicio de garantía más rápidamente, sírvase registrar su unidad inmediatamente visitando nuestro sitio Internet www.bluerhino.com o llamando al 1.800.762.1142.

Garantía limitada

Blue Rhino Sourcing, Inc (“el fabricante”) garantiza al comprador original, al detal, de este producto, y a ninguna otra persona, que si la unidad se arma y opera de acuerdo con las instrucciones impresas que la acompañan y por un período de un (1) año a partir de la fecha de compra, todas las piezas de este producto estarán libres de defectos en material y mano de obra. El fabricante podrá requerir prueba razonable de la fecha de compra. Por lo tanto, usted debe conservar el recibo de venta o la factura. Esta garantía limitada estará limitada a la reparación o reemplazo de las piezas que resulten defectuosas en condiciones de servicio y uso normal y las que un examen indique, a satisfacción del fabricante, que están defectuosas. Antes de devolver cualquier pieza, comuníquese con el Departamento de Servicio al Cliente (Customer Service Department) del fabricante. Si el fabricante confirma el defecto y aprueba el reclamo, el fabricante decidirá reemplazar tales partes sin costo alguno. Si se le pide que devuelva las partes defectuosas, los costos de transporte deberán ser prepagados. El fabricante devolverá las partes al cliente con costo de transporte o envío prepagados.

Esta garantía limitada no cubre fallas o dificultades de operación debidas a accidente, abuso, mal uso, alteración, empleo en usos inapropiados, instalación defectuosa o mantenimiento o servicio inapropiado o falla en la realización de mantenimiento normal y rutinario como se prescribe en este manual del usuario.

Además, la garantía limitada no cubre daños al terminado de la unidad, tales como rasguños, abolladuras, descoloridos, oxidaciones y otros daños causados por la intemperie después de la compra de la unidad.

Esta garantía limitada reemplaza cualquier otra garantía. El fabricante no asume ninguna responsabilidad por garantías de productos vendidos por quienes no sean distribuidores o vendedores al detal autorizados. Esta exención de responsabilidad incluye cualquier garantía de comerciabilidad o la garantía de aptitud para un propósito en particular. EL FABRICANTE NO SE HACE RESPONSABLE POR NINGUNA GARANTIA IMPLICITA INCLUYENDO, SIN LIMITACIONES, LAS GARANTIAS IMPLICITAS DE COMERCIALIZACION Y ADAPTABILIDAD A UN PROPOSITO PARTICULAR. EL FABRICANTE NO ASUME RESPONSABILIDAD ANTE EL COMPRADOR O ANTE CUALQUIER TERCERA PERSONA POR DAÑOS ESPECIALES, INDIRECTOS, PUNITIVOS, INCIDENTALES O CONSECUENCIALES. El fabricante, además, no asume responsabilidad por garantías implícitas o expresas por defectos de mano de obra causados por terceras personas.

Esta garantía limitada le da al comprador derechos legales específicos y el comprador puede tener otros derechos según el lugar donde el comprador o la compradora residan. Ciertas jurisdicciones no permiten limitaciones en cuanto a la duración de una garantía implícita, de manera que esta limitación puede no ser aplicable a usted.

El fabricante no autoriza a ninguna persona o compañía para asumir por el fabricante cualquier otra obligación a responsabilidad relacionada con la venta, instalación, uso, remoción, devolución o reemplazo de este equipo y cualquier representación de esta naturaleza no obliga al fabricante.

Blue Rhino Sourcing, Inc
Winston-Salem, North Carolina 27104, EE.UU.
(800)-762-1142

Especificaciones

Certificaciones:
Requerimiento 22.2 No. 46-M1988
UL 1278

Combustible:
Corriente eléctrica

Potencia:
1,200 vatios máximo

Voltaje:
120V CA

Frecuencia:
60 Hz

Peso neto:
16 libras / 7.2 kg

Dimensiones de la unidad:
19,7 pulgadas de largo x 19,7 pulgadas de ancho x 37,4 pulgadas de alto /
50 cm x 50 cm x 95 cm

Fabricante:
Blue Rhino Global Sourcing, Inc

Fabricado en:
China

Resolución de problemas

Problema	Causa posible	Prevención/medida correctiva
La unidad no funciona	Unidad no enchufada.	Enchufe el cable de alimentación en el receptáculo con conexión a tierra.
	Fusible quemado.	Reemplace el fusible.
	Alambrado desconectado.	Llame al Centro de Atención al Cliente.
	Botón de recuperación de graduación inicial no ha sido activado.	Presione el botón de restauración.
	El elemento de calefacción se ha quemado.	Llame al Centro de Atención al Cliente al 1.800.762.1142 para obtener un nuevo elemento de calefacción e instrucciones para reemplazarla.

Para ayuda más detallada, sírvase visitarnos en www.bluerhino.com o llamarnos al 1.800.762.1142 para ayudarlo inmediatamente.

Free Manuals Download Website

<http://myh66.com>

<http://usermanuals.us>

<http://www.somanuals.com>

<http://www.4manuals.cc>

<http://www.manual-lib.com>

<http://www.404manual.com>

<http://www.luxmanual.com>

<http://aubethermostatmanual.com>

Golf course search by state

<http://golfingnear.com>

Email search by domain

<http://emailbydomain.com>

Auto manuals search

<http://auto.somanuals.com>

TV manuals search

<http://tv.somanuals.com>