

## Outdoor Charcoal Barbecue Grill

Model No. CBC911W



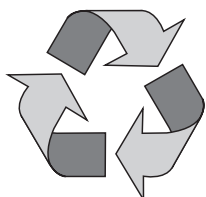
**WARNING**  
**FOR YOUR SAFETY:**  
**For Outdoor Use Only**  
 (outside any enclosure)

**WARNING**  
**FOR YOUR SAFETY:**

1. Improper installation, adjustment, alteration, service or maintenance can cause injury or property damage.
2. Read the installation, operation, and maintenance instructions thoroughly before installing or servicing this equipment.
3. Failure to follow these instructions could result in fire or explosion, which could cause property damage, personal injury, or death.

Table of Contents	
Important Safeguards . . . . .	Page 2
Exploded View & Hardware . . . . .	3
Assembly Instructions . . . . .	4
Operating Instructions . . . . .	6
First Use . . . . .	6
Cooking . . . . .	6
Tips . . . . .	6
Cleaning and Care . . . . .	7
Product Registration . . . . .	7
Limited Warranty . . . . .	7

Save these instructions for future reference. If you are assembling this unit for someone else, give this manual to him or her to read and save for future reference.



Made from 70% Bagasse  
 (Environmentally Friendly Sugar  
 Cane Pulp By-product)

Manufactured in China for:  
 Blue Rhino Global Sourcing, Inc  
 Winston-Salem, NC USA  
 1.800.762.1142, www.bluerhino.com

© 2008 Blue Rhino Global Sourcing, Inc. All Rights Reserved  
 UniFlame® is a Registered Trademark of Blue Rhino Global Sourcing, Inc. All Rights Reserved.



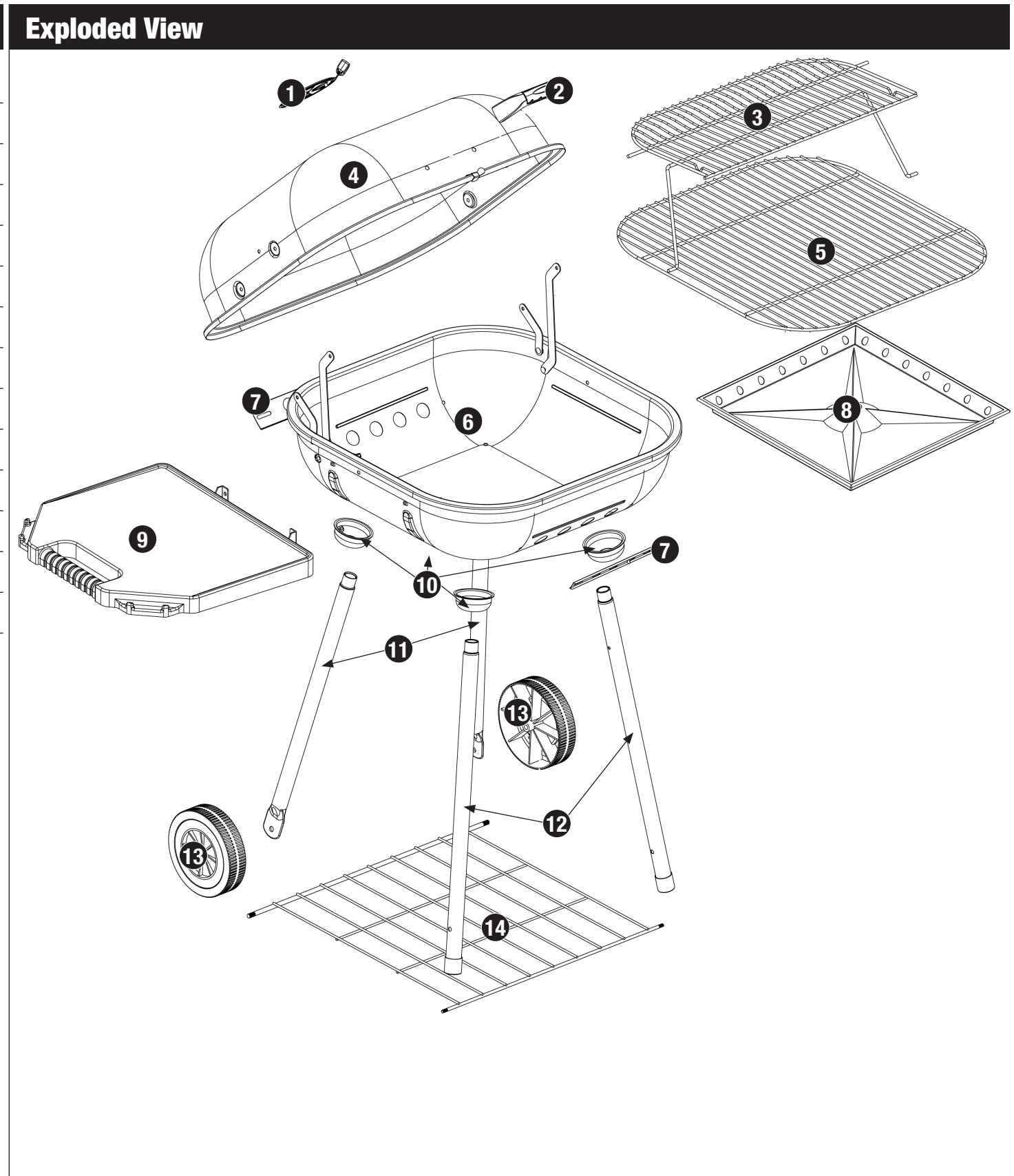
**▲ DANGER:** Failure to follow the dangers, warning and cautions in this manual may result in serious bodily injury or death, or in a fire or an explosion causing damage to property.

**▲ WARNING:**

- ▲ This grill is for outdoor use only, and shall not be used in a building, garage, or any other enclosed area.
- ▲ Do NOT operate, light or use this appliance within 8 feet of walls, structures or buildings.
- ▲ This grill is NOT for commercial use.
- ▲ Do not use grill for indoor cooking or heating. Toxic carbon monoxide fumes can accumulate and cause asphyxiation.
- ▲ Do not use gasoline, kerosene, or alcohol for lighting.
- ▲ Do not use in an explosive atmosphere. Keep grill area clear and free from combustible materials, gasoline and other flammable vapors and liquids.
- ▲ Do not store or use gasoline or other flammable liquids or vapors within 25 feet (7.62 m) of this appliance.
- ▲ Instant light charcoal can burn at very high temperatures during initial startup. Make sure lid is open until charcoal turns to hot coals.
- ▲ Keep all combustible items and surfaces at least 21 inches (53 cm) away from the grill at all times. DO NOT use this grill under any overhead or near any unprotected combustible constructions.
- ▲ Do not alter grill in any manner.
- ▲ Do not use the grill unless it is completely assembled and all parts are securely fastened and tightened.
- ▲ This grill should be thoroughly cleaned and inspected on a regular basis.
- ▲ Use only Blue Rhino Global Sourcing, Inc. factory authorized parts. The use of any part that is not factory authorized can be dangerous. This will also void your warranty.
- ▲ Do not use this appliance without reading "Operating Instructions" in this manual.
- ▲ Do not touch metal parts of grill until it has completely cooled (about 45 min.) to avoid burns, unless you are wearing protective gear (pot holders, gloves, BBQ mittens, etc.).
- ▲ Never touch grates (charcoal or cooking), ashes or coals to see if they are hot.
- ▲ Do not use on wooden decks, wooden furniture or other combustible surfaces.
- ▲ Do not use in or on boats or recreational vehicles.
- ▲ Position grill so wind can not carry ashes to combustible surfaces.
- ▲ Do not use in high winds.
- ▲ Never lean over the grill when lighting.
- ▲ Do not leave a lit grill unattended. Keep children and pets away from grill at all times.
- ▲ Do not attempt to move grill when in use. Allow the grill to cool before moving or storing.
- ▲ Always open grill lid carefully and slowly as heat and steam trapped within grill can severely burn you.
- ▲ Always place your grill on a hard, non combustible level surface. An asphalt or blacktop surface may not be acceptable for this purpose.
- ▲ Do not remove the ashes until they are completely and fully extinguished.
- ▲ Live hot briquettes and coals can create a fire hazard.
- ▲ Always empty the ash catcher and grill after each use. Do not remove the ashes until they are completely and fully extinguished.
- ▲ Do not place fuel (charcoal briquets, wood or lump charcoal) directly into bottom of grill. Place fuel only on the charcoal pan/grid.
- ▲ Check to make sure the air vents are free of debris and ash before and while you are using the grill.
- ▲ Make sure ash catcher is securely and completely in place before using the grill.
- ▲ Always wear protective gloves when adding fuel (charcoal briquets, wood or lump charcoal) to retain desired heat level.
- ▲ Keep all electrical cords away from a hot grill.
- ▲ Always use a meat thermometer to ensure food is cooked to a safe temperature.
- ▲ Never cover entire cooking area with aluminum foil.
- ▲ Please use protective gloves when assembling this product.
- ▲ Do not force parts together as this can result in personal injury or damage to the product.
- ▲ Deaths, serious injury or damage to property may occur if the above is not followed exactly.

Contact 1.800.762.1142 for assistance. Do not return to place of purchase.  
For great recipes and tips, visit [recipes.uniflame.com](http://recipes.uniflame.com).

Parts List		
1	Lid Air Vent	55-14-681
2	Handle	55-14-688
3	Warming Rack	55-07-028
4	Lid	55-09-196
5	Cooking Grid	55-08-239
6	Bottom Bowl	55-09-193
7	Bottom Bowl Air Vent (2)	55-14-686
8	Charcoal Tray	55-14-679
9	Side Shelf	55-09-198
10	Leg Support Cup (4)	55-14-684
11	Rear Leg (2)	55-14-677
12	Front Leg (2)	55-09-194
13	Wheel (2)	55-14-683
14	Bottom Grid	55-14-675



### Hardware

A	Screw	M5x12 Zinc Plated Phillips Truss Head	8 pcs
B	Screw	M5x12 Zinc Plated Phillips Truss Head	3 pcs
C	Screw	M6x30 Zinc Plated Phillips Truss Head	4 pcs
D	Nut	M5 Zinc Plated	2 pcs
E	Nut	M8 Zinc Plated	2 pcs
F	Wing Nut	M5 Steel	9 pcs
G	Wing Nut	M6 Steel	4 pcs
H	Washer	ø5 Zinc Plated	2 pcs
I	Washer	ø6 Zinc Plated	4 pcs
J	Washer	ø6 Heat Resistant	2 pcs
K	Lock Washer	ø5 Zinc Plated	2 pcs

### Tools Required for Assembly (Included)

#2 Phillips Head Screwdriver	1 pc
M5 - M8 Wrench	1 pc

**Assembly Instructions**

**1 DO NOT RETURN PRODUCT TO STORE.**

For assistance call **1.800.762.1142** toll free. Please have your owner's manual and model number available for reference.

For Easiest Assembly:

- To avoid losing any small components or hardware, assemble your product on a hard level surface that does not have cracks or openings.
- Clear an area large enough to layout all components and hardware.
- When applicable, tighten all hardware connections by hand first. Once the step is completed go back and fully tighten all hardware.
- Follow all steps in order to properly assemble your product.

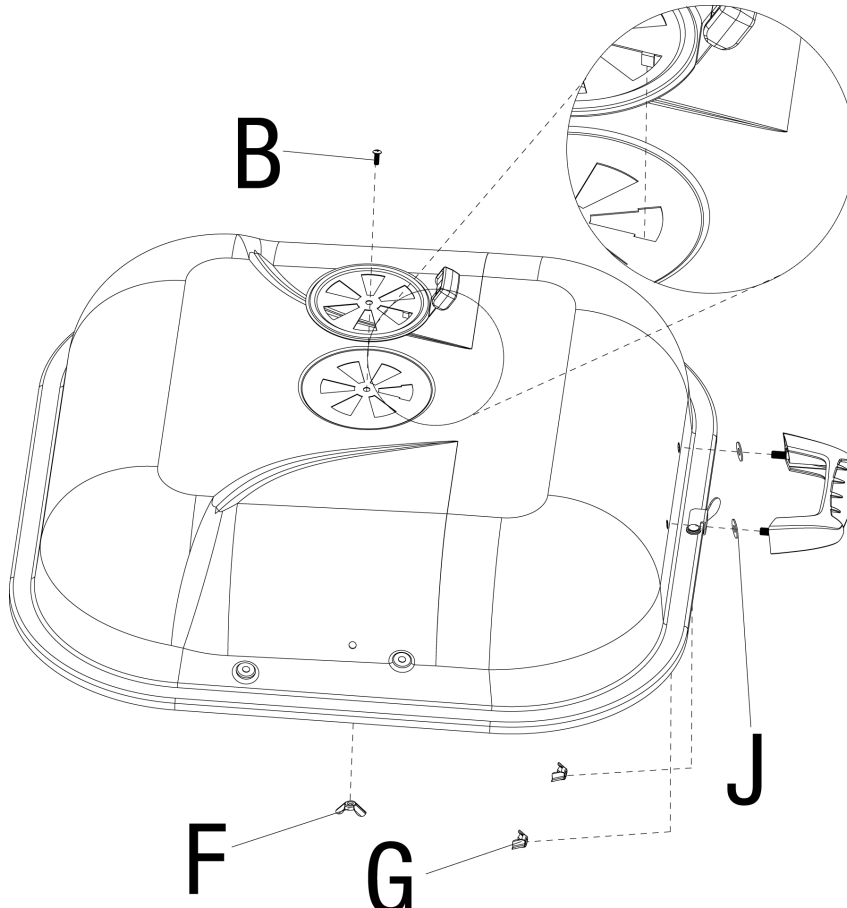
To complete assembly you will need:

- (1) Bag of charcoal.

*Note:* You must follow all steps to properly assemble grill.

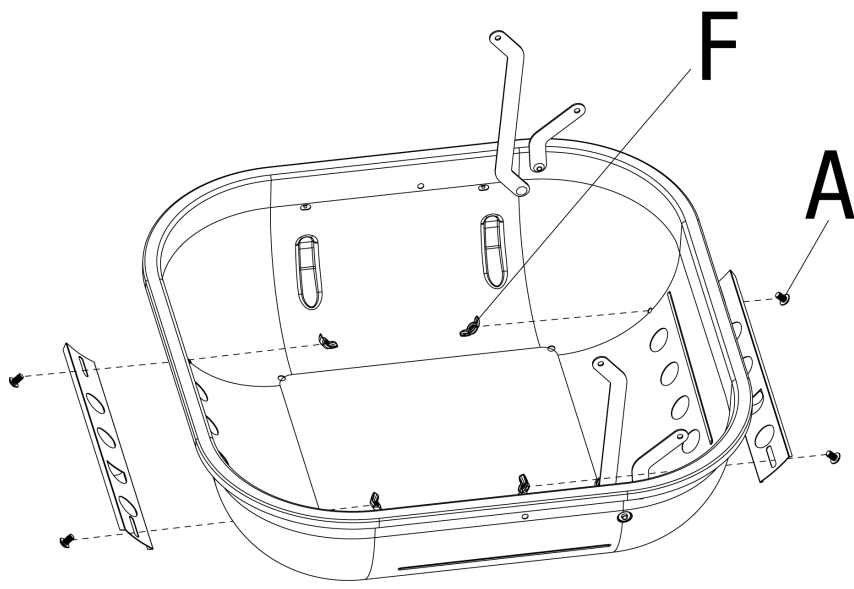
Typical assembly: approximately 1 (one) hour.

**2 Attach Handle and Lid Air Vent**



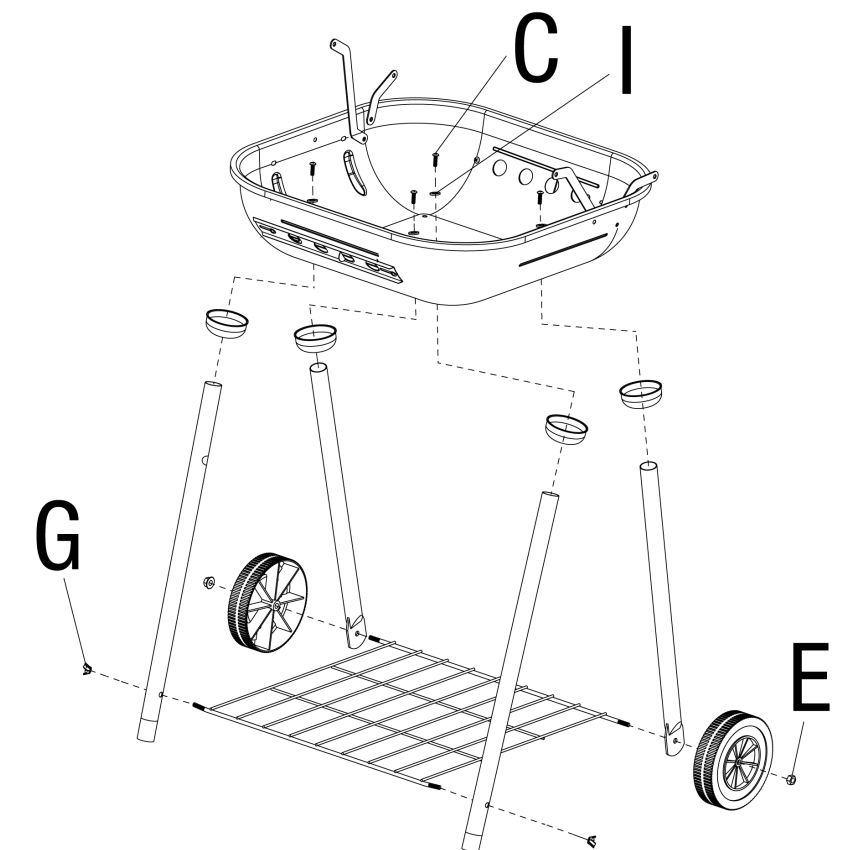
- |   |  |     |   |  |     |
|---|--|-----|---|--|-----|
| B |  | x 1 | G |  | x 2 |
| F |  | x 1 | J |  | x 2 |

**3 Attach Bottom Air Vents**



- |   |  |     |   |  |     |
|---|--|-----|---|--|-----|
| A |  | x 4 | F |  | x 4 |
|---|--|-----|---|--|-----|

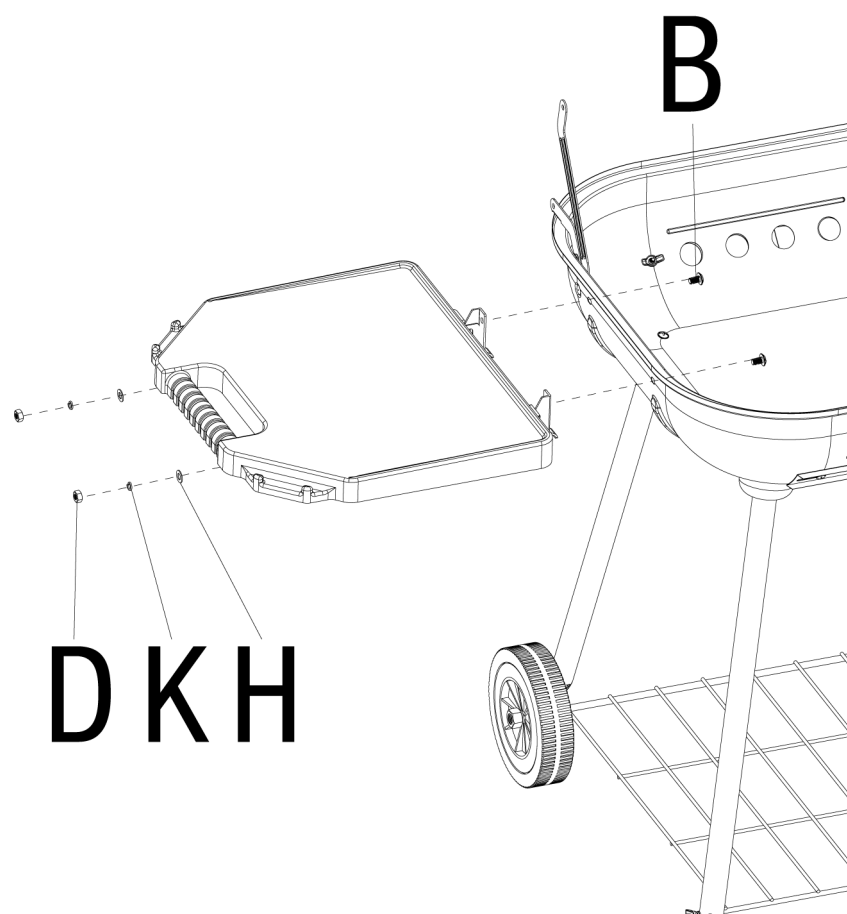
**4 Attach Legs, Wheels and Bottom Grid**



- |   |  |     |   |  |     |
|---|--|-----|---|--|-----|
| C |  | x 4 | G |  | x 2 |
| E |  | x 2 | I |  | x 4 |

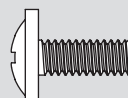





### 5 Attach Side Shelf

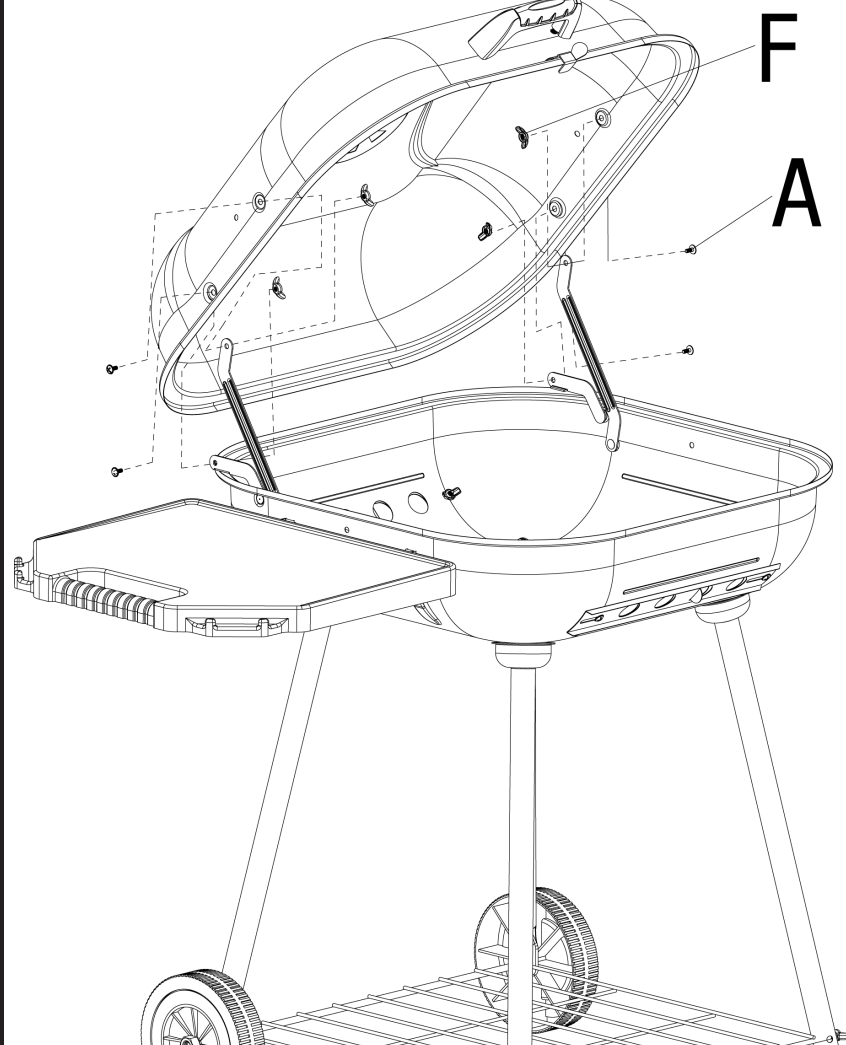


**B**

**D K H**

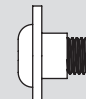

<b>B</b>		x 2	<b>H</b>		x 2
<b>D</b>		x 2	<b>K</b>		x 2

### 6 Attach Lid



**F**

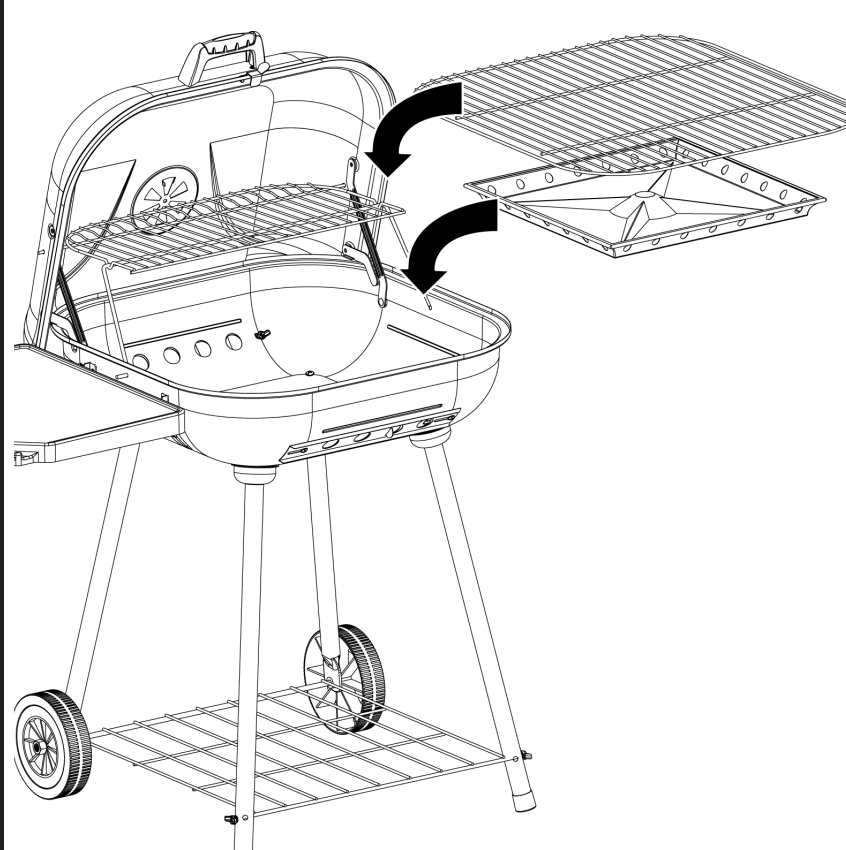
**A**

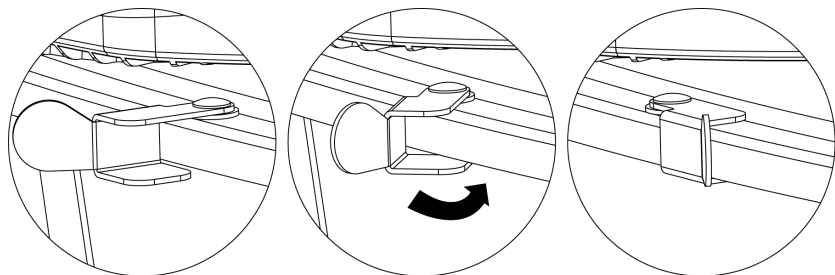
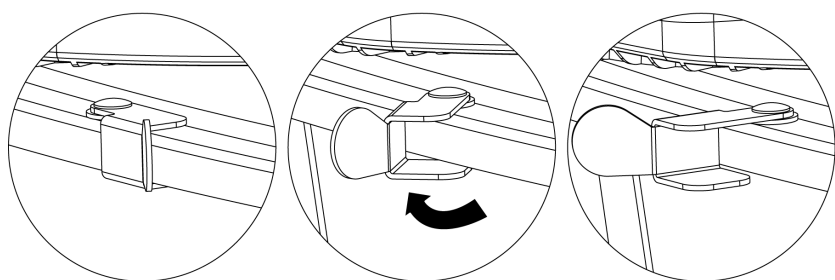
<b>A</b>		x 4	<b>F</b>		x 4
----------	---	-----	----------	---	-----

### 7 Insert Warming Rack



### 8 Insert Charcoal Tray and Cooking Grid



**Assembly Instructions (continued)**
**9**
**Locking Lid**

**Unlocking Lid**

**Operating Instructions**

This appliance is designed for use only with quality charcoal briquettes, lump charcoal and cooking wood.

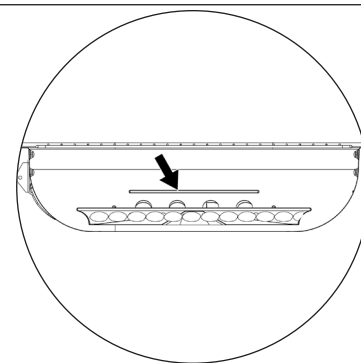
**First Use**

1. Make sure all labels, packaging and protective films have been removed from the grill.
2. Remove manufacturing oils before cooking on this grill for the first time, by operating the grill for at least 15 minutes with the lid closed. This will "heat clean" the internal parts and dissipate odors.

**⚠ CAUTION: Instant light charcoal can burn at very high temperatures during initial startup. Make sure lid is open until charcoal turns to hot coals.**

**Lighting**

1. Open lid and vents.
2. Make sure charcoal tray is empty
3. Remove cooking grid.
4. Arrange charcoal briquettes or other fuel on the charcoal grid to the "Fill Line".
5. Adjust the fuel and light per instructions on fuel package.
6. Allow fuel time to ash into glowing coals before cooking.


**Direct Cooking**

Cooking directly over hot coals. Ideal for searing in juices and grilling food requiring less than 25 minutes of grilling time, such as steaks, hamburgers, hot dogs, chicken parts, vegetables and fruit.

1. Open lid and remove cooking grid.
  2. Load and light charcoal per charcoal manufacturer's instructions. Leave lid open.
  3. While wearing protective gloves, carefully spread hot coals evenly across charcoal grid with a long handle tool.
  4. While wearing protective gloves replace cooking grid, close lid and allow grill to preheat.
  5. While wearing protective gloves open lid and place food onto cooking grids above the hot coals with long handle tongs.
  6. With lid open or closed, cook until desired internal food temperatures are achieved.
- Note:* If additional briquettes are needed, remove food from cooking grid and while wearing protective gloves remove the cooking grid and place additional briquettes without disturbing the hot coals. Carefully replace cooking grid and food.
7. Allow charcoal to burn out by closing lid and all vents. Except in the case of an emergency, do NOT pour water on hot coals.

**Indirect Cooking**

Not cooking directly over hot coals. Ideal for slow cooking and grilling foods requiring more than 25 minutes such as most roasts, loins, chops, whole chickens, turkey, fish and baked goods.

1. Open lid and remove cooking grid.
2. Load and light charcoal per charcoal manufacturer's instructions. Leave lid open.
3. While wearing protective gloves, carefully spread hot coals to the outsides of charcoal grid with a long handle tool.
4. While wearing protective gloves replace cooking grid, close lid and allow grill to preheat.
5. Wear protective gloves to open lid. Use long handled tools to place food onto cooking grids above the areas without hot coals.
6. With lid closed, cook until desired internal food temperatures are achieved.

*Note:* If additional briquettes are needed, remove food from cooking grid and while wearing protective gloves remove the cooking grid and place additional briquettes without disturbing the hot coals. Carefully replace cooking grid and food.

7. Allow charcoal to burn out by closing lid and all vents. Except in the case of an emergency, do NOT pour water on hot coals.

For more tips on indirect cooking please see "Tips for Better Cookouts and Longer Grill Life"

**Tips for Better Cookouts and Longer Grill Life**

1. For great recipes and tips, visit [recipes.uniflame.com](http://recipes.uniflame.com).
2. To reduce flare-up keep grill clean, use lean cuts of meat (or trim fat) and avoid cooking on very high temperatures.
3. Place delicate foods like fish and vegetables in aluminum foil pouches and indirect cook or place on upper cooking levels (warming rack).
4. To avoid losing natural juices, use long handled tongs or spatulas instead of forks and turn foods over just once during cooking.
5. When in-direct cooking roasts and larger cuts of meat, place meat onto a roasting rack inside a heavy gauge metal pan. Place pan over the un-lit coals.
6. Try water pans to reduce flare-ups and cook juicier meats. Before starting coals remove cooking grids and place a heavy duty shallow pan directly on charcoal grid. Fill half way with water, fruit juices or other flavored liquids. Place hot coals around grid, replace cooking grids and position food over the loaded pan.
7. Enhance food flavors by using wood chips in smoker boxes or aluminum foil pouches. Follow the wood manufacturer's instructions.

**Contact 1.800.762.1142 for assistance. Do not return to place of purchase.  
For great recipes and tips, visit [recipes.uniflame.com](http://recipes.uniflame.com).**

8. Rotisseries, grill baskets, vertical poultry holders and other accessories can enhance your experiences, reduce cooking times and aid in clean-up.
9. Clean cooking grids and racks after every use with a quality grill brush designed for your grid material. Wear protective gloves and gently remove the build-up while grids are hot.
10. After every use, allow grill to cool. Then protect clean cooking grids with a light coat of cooking oil, clean out all ashes, wipe outside surfaces with a suitable kitchen cleaner and protect surfaces with a quality cover that is properly fits your grill.
11. Watch barbecue themed TV shows or purchase related barbecue cookbooks to learn more interesting tips.

## Cleaning and Care

**⚠ CAUTION: All cleaning and maintenance should be done when grill is cool and with the fuel supply removed.**

**⚠ CAUTION: DO NOT clean any grill part in a self cleaning oven. The extreme heat will damage the finish.**

### Notices

1. Abrasive cleaners will damage this product.
2. Never use oven cleaner to clean any part of grill.
3. Do not clean any grill part in a self cleaning oven. The extreme heat will damage the finish.

### Cleaning Surfaces

1. Wipe surfaces clean with mild dishwashing detergent or baking soda.
2. For stubborn surfaces use a citrus based degreaser and a nylon scrubbing brush.
3. Rinse clean with water.

## Product Registration

For faster warranty service, please register your product immediately at [www.bluerhino.com](http://www.bluerhino.com) or call 1.800.762.1142.

## Limited Warranty

Blue Rhino Global Sourcing, Inc ("Vendor") warrants to the original retail purchaser of this product, and to no other person, that if this product is assembled and operated in accordance with the printed instructions accompanying it, then for a period of one (1) year from the date of purchase, all parts in such product shall be free from defects in material and workmanship. Vendor may require reasonable proof of your date of purchase. Therefore, you should retain your sales slip or invoice. This Limited Warranty shall be limited to the repair or replacement of parts, which prove defective under normal use and service and which Vendor shall determine in its reasonable discretion upon examination to be defective. Before returning any parts, you should contact Vendor's Customer Service Department using the contact information listed below. If Vendor confirms, after examination, a defect covered by this Limited Warranty in any returned part, and if Vendor approves the claim, Vendor will replace such defective part without charge. If you return defective parts, transportation charges must be prepaid by you. Vendor will return replacement parts to the original retail purchaser, freight or postage prepaid.

This Limited Warranty does not cover any failures or operating difficulties due to accident, abuse, misuse, alteration, misapplication, improper installation or improper maintenance or service by you or any third party, or failure to perform normal and routine maintenance on the product as set out in this owner's manual. In addition, the Limited Warranty does not cover damage to the finish, such as scratches, dents, discoloration, rust or other weather damage, after purchase.

This Limited Warranty is in lieu of all other express warranties. Vendor disclaims all warranties for products that are purchased from sellers other than authorized retailers or distributors, including the warranty of merchantability or the warranty of fitness for a particular purpose. VENDOR ALSO DISCLAIMS AND ANY ALL IMPLIED WARRANTIES, INCLUDING WITHOUT LIMITATION THE IMPLIED WARRANTIES OF MERCHANTABILITY AND FITNESS FOR A PARTICULAR PURPOSE. VENDOR SHALL NO LIABILITY TO PURCHASER OR ANY THIRD PARTY FOR ANY SPECIAL, INDIRECT, PUNITIVE, INCIDENTAL, OR CONSEQUENTIAL DAMAGES. Vendor further disclaims any implied or express warranty of, and assumes no responsibility for, defects in workmanship caused by third parties.

This Limited Warranty gives the purchaser specific legal rights; a purchaser may have other rights depending upon where he or she lives. Some jurisdictions do not allow the exclusion or limitation of special, incidental or consequential damages, or limitations on how long a warranty lasts, so the above exclusion and limitations may not apply to everyone.

Vendor does not authorize any person or company to assume for it any other obligation or liability in connection with the sale, installation, use, removal, return, or replacement of its equipment, and no such representations are binding on Vendor.

Blue Rhino Global Sourcing, Inc  
Winston-Salem, North Carolina USA  
(800) 762-1142







**Si necesita ayuda llame al 1.800.762.1142. No vuelva al lugar de compra. Para obtener excelentes recetas y sugerencias, visite [recipes.uniflame.com](http://recipes.uniflame.com).**

## Registro del producto

Para beneficiar del servicio de garantía más rápidamente, sírvase registrar su unidad inmediatamente visitando nuestro sitio Internet [www.bluerhino.com](http://www.bluerhino.com) o llamando al 1.800.762.1142.

## Garantía limitada

Blue Rhino Sourcing, Inc. ("el fabricante") garantiza al comprador original, al detal, de este producto, y a ninguna otra persona, que si la unidad se arma y opera de acuerdo con las instrucciones impresas que la acompañan y por un periodo de un (1) año a partir de la fecha de compra, todas las piezas de este producto estarán libres de defectos en material y mano de obra. El fabricante podrá requerir prueba razonable de la fecha de compra. Por lo tanto, usted debe conservar el recibo de venta o la factura. Esta garantía limitada estará limitada a la reparación o reemplazo de las piezas que resulten defectuosas en condiciones de servicio y uso normal y las que un examen índique, a satisfacción del fabricante, que están defectuosas. Antes de devolver cualquier pieza, comuníquese con el Departamento de Servicio al Cliente (Customer Service Department) del fabricante. Si el fabricante confirma el defecto y aprueba el reclamo, el fabricante decidirá reemplazar tales partes sin costo alguno. Si se le pide que devuelva las partes defectuosas, los costos de transporte deberán ser prepagados. El fabricante devolverá las partes al cliente con costo de transporte o envío prepagados.

Esta garantía limitada no cubre fallas o dificultades de operación debidas a accidente, abuso, mal uso, alteración, empleo en usos inapropiados, instalación defectuosa o mantenimiento o servicio inapropiado o falla en la realización de mantenimiento normal y rutinario como se prescribe en este manual del usuario.

Además, la garantía limitada no cubre daños al terminado de la unidad, tales como rasguños, abolladuras, descoloridos, oxidaciones y otros daños causados por la intemperie después de la compra de la unidad.

Esta garantía limitada reemplaza cualquier otra garantía. El fabricante no asume ninguna responsabilidad por garantías de productos vendidos por quienes no sean distribuidores o vendedores al detal autorizados. Esta exención de responsabilidad incluye cualquier garantía de comerciabilidad o la garantía de aptitud para un propósito en particular. EL FABRICANTE NO SE HACE RESPONSABLE POR NINGUNA GARANTIA IMPLICITA INCLUYENDO, SIN LIMITACIONES, LAS GARANTIAS IMPLICITAS DE COMERCIABILIDAD Y ADAPTABILIDAD A UN PROPOSITO PARTICULAR. EL FABRICANTE NO ASUME RESPONSABILIDAD ANTE EL COMPRADOR O ANTE CUALQUIER TERCERA PERSONA POR DAÑOS ESPECIALES, INDIRECTOS, PUNITIVOS, INCIDENTALES O CONSECUENCIALES. El fabricante, además, no asume responsabilidad por garantías implícitas o expresas por defectos de mano de obra causados por terceras personas. Esta garantía limitada le da al comprador derechos legales específicos y el comprador puede tener otros derechos según el lugar donde el comprador o la compradora residen. Ciertas jurisdicciones no permiten limitaciones en cuanto a la duración de una garantía implícita, de manera que esta limitación puede no ser aplicable a usted.

El fabricante no autoriza a ninguna persona o compañía para asumir por el fabricante cualquier otra obligación o responsabilidad relacionada con la venta, instalación, uso, remoción, devolución o reemplazo de este equipo y cualquier representación de esta naturaleza no obliga al fabricante.

Blue Rhino Sourcing, Inc  
Winston-Salem, North Carolina 27104, EE.UU.  
(800)-762-1142

## Sugerencias para una mejor preparación de los alimentos y una vida útil más larga de la parrilla

1. Para obtener excelentes recetas y sugerencias, visite [recipes.uniflame.com](http://recipes.uniflame.com).

2. Para reducir el encendido de la grasa, mantenga la parrilla limpia, use cortes de carne sin grasa (o remueva el acceso de grasa) y evite cocerla a temperaturas demasada altas.

3. Coloque alimentos delicados tales como pescado y legumbres en bolsas de papel de aluminio y coloque las bolsas en el nivel superior de cocción (rejilla de calentamiento).

4. Para evitar la pérdida de jugos naturales, use tenacillas de mango largo o espátulas, en lugar de tenedores, y voltee el alimento solamente una vez durante el proceso de cocción.

5. Cuando por cocción indirecta prepare asados y porciones grandes de carne, coloque la carne en una parrilla de asar dentro de una olla de metal grueso. Coloque la olla sobre las brujetas de carbón de leña no encendidas.

6. Ensaye el uso de ollas con agua para reducir la combustión de grasa y cocer carnes muy jugosas. Antes de encender la unidad remueva las parrillas de cocción y coloque una olla panda, para trabajo pesado, directamente sobre la rejilla de carbón de leña. Llene la olla hasta la mitad con agua, jugos de fruta u otros líquidos para dar sabor. Coloque carbonos encendidos alrededor de la rejilla. Vuelva a colocar las parrillas de cocción y ponga los alimentos en la parrilla, arriba de la olla con agua.

7. Realice el sabor de los alimentos usando astillas de madera en cajas metálicas para humear o bolsas de papel de aluminio. Siga las instrucciones del fabricante de las astillas de madera para esta operación.

8. Las canastas de asar, asadores, sostenes verticales para la carne de ave y otros accesorios pueden hacer más agradable su experiencia, reducir el tiempo de cocción y facilitar la labor de limpieza.

9. Limpie las parrillas de cocción y las rejillas después de cada uso con un cepillo de calidad diseñado para el material de su parrilla. Use guantes de protección y remueva con cuidado la acumulación de residuos en las parrillas mientras éstas están todavía calientes.

10. Después de cada uso deje que la parrilla se enfríe. Luego proteja las parrillas de cocción ya limpias con una ligera capa de aceite de cocina, vacíe la taza para la ceniza, limpie las superficies exteriores con un limpiador de cocina apropiado y proteja las superficies con una cubierta de calidad que se acomode apropiadamente su unidad.

## Limpieza y cuidado

**▲ Precaución: Todas la operaciones de limpieza y mantenimiento deben realizarse con la parrilla fría.**

**▲ Precaución: NO limpie ninguna pieza de esta parrilla en un horno de limpieza automática. El calor extremo dañará el terminado.**

### Avisos

1. No use productos de limpieza abrasivos pues dañarán este aparato.

2. No utilice nunca productos limpiahornos para limpiar cualquier pieza de la parrilla.

3. Nunca use ninguna pieza de esta parrilla en un horno de limpieza automática. El calor extremo dañará el terminado.

## Limpieza de las superficies

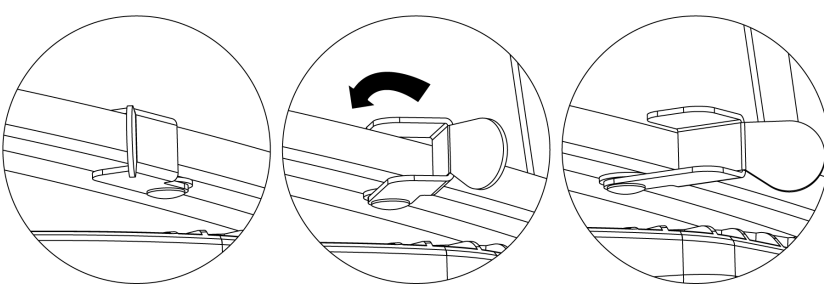
1. Limpie las superficies con un detergente suave de lavado de platos o con soda de hornear. En superficies de limpieza difícil, use un desengrasador a base de cítricos y un cepillo de nylon.

3. Enjuague las superficies con agua limpia.

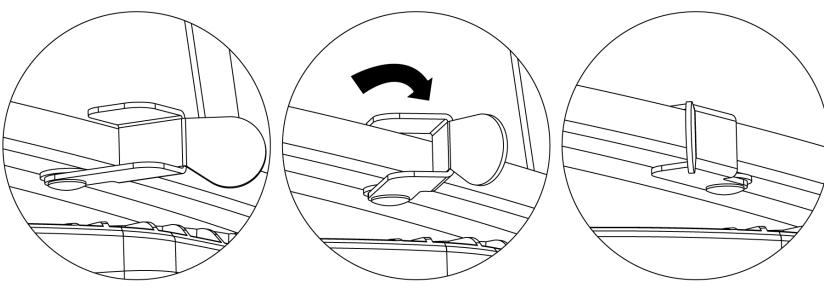
**Instrucciones de armado (continuación)**

**7**

**Cierre la tapa**



**Abra el cierre de la tapa**



**Instrucciones de operación**

Esta unidad ha sido diseñada para ser usada con briquetas de calidad, carbón de leña en bloque y leña para cocinar.

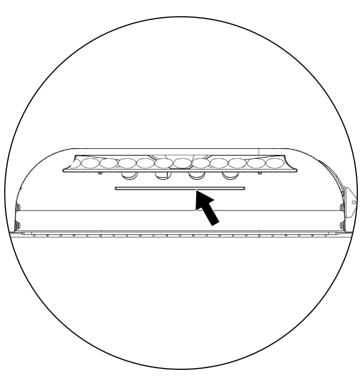
**Uso por primera vez**

1. Verifique que todos los empaques, etiquetas y envolturas de protección han sido removidos de la parrilla.
2. Remueva todo aceite de fabricación que encuentre en la unidad antes de usar la parrilla por primera vez, encendiendo la parrilla por lo menos por 15 minutos con la tapa cerrada. Esto realizará una "limpieza por calor" en las piezas internas de la unidad y hará que los olores se disipen.

**▲ PRECAUCIÓN: Las briquetas de encendido instantáneo pueden arder a muy alta temperatura durante su encendido inicial. Asegúrese de tener la tapa abierta hasta que las briquetas se tornen en carbones encendidos.**

**Encendido**

1. Abra la tapa y los reguladores de aire.
2. Verifique que el recipiente para la ceniza está vacío y bien asegurado.
3. Saque la parrilla de cocción.
4. Disponga las briquetas de carbón de leña o la materia combustible en la rejilla para carbón de leña hasta la línea "Fill Line" (línea de llenado)
5. Disponga la materia combustible de acuerdo con las instrucciones del empaque.
6. Deje que la materia combustible se torne en carbones encendidos antes de comenzar a cocinar.



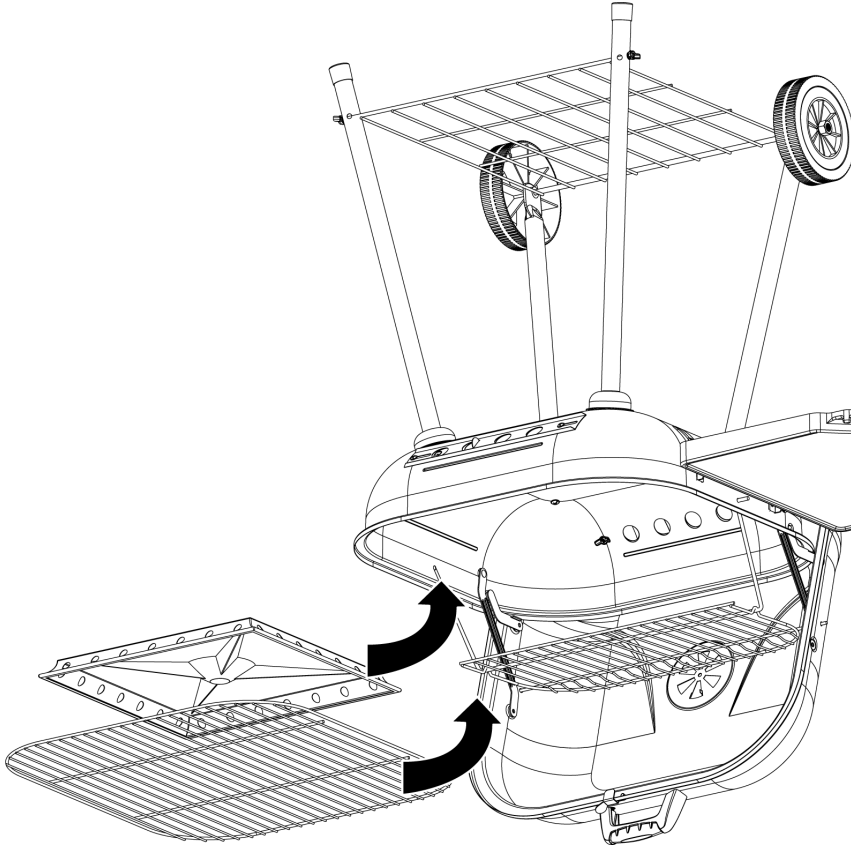
**Cocción directa**

Cocción directa sobre las briquetas calientes. Ideal para chamuscar los jugos y para cocer alimentos que requieran menos de 25 minutos de tiempo de asado, tales como bistec, hamburguesas, perros calientes, porciones de aves, legumbres y frutas.

1. Abra la tapa y remueva la parrilla de cocción.
  2. Coloque las briquetas de carbón de leña y enciéndalas de acuerdo con las instrucciones del fabricante del carbón de leña. Deje la tapa abierta.
  3. Usando guantes de protección, cuidadosamente extienda las briquetas calientes en forma pareja a lo largo de la parrilla, usando un utensilio de mango largo.
  4. Usando guantes de protección, vuelva a colocar la parrilla de cocción, cierre la tapa y deje que la parrilla se caliente antes de cocer los alimentos.
  5. Use guantes de protección y tenacillas de mango largo para colocar los alimentos en las parrillas de cocción sobre las briquetas calientes.
  6. Con la tapa abierta o cerrada haga la cocción de los alimentos hasta que la temperatura interna del alimento se haya alcanzado.
- Nota:* Si es necesario agregar briquetas, remueva los alimentos de la parrilla de cocción y usando guantes de protección remueva la parrilla de cocción y coloque briquetas adicionales sin revolver las ya encendidas. Cuidadosamente vuelva a colocar la parrilla y, luego, los alimentos.
7. Deje que el carbón de leña se extinga completamente antes de cerrar la tapa y todos los orificios de ventilación. NO vierta agua sobre los carbones calientes, excepto en caso de una emergencia.

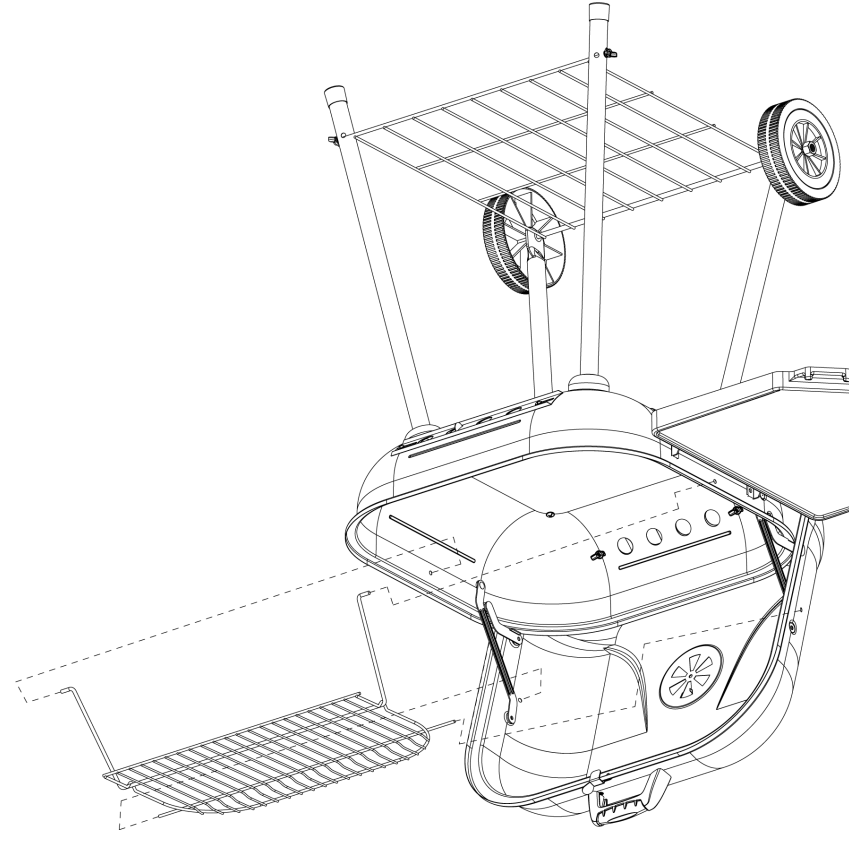
**Cocción indirecta**

- En este proceso la cocción no se hace directamente sobre las briquetas encendidas. Es ideal para cocer alimentos de lento cocimiento que requieran más de 25 minutos, tales como: asados, lomos, chuletas, pollos enteros, pavos, pescado y alimentos horneados.
1. Abra la tapa y remueva la parrilla de cocción.
  2. Coloque las briquetas de carbón de leña y enciéndalas de acuerdo con las instrucciones del fabricante del carbón de leña. Deje la tapa abierta.
  3. Usando guantes de protección, cuidadosamente extienda las briquetas calientes en forma pareja a lo largo de la parrilla, usando un utensilio de mango largo.
  4. Usando guantes de protección, vuelva a colocar la parrilla de cocción, cierre la tapa y deje que la parrilla se caliente antes de cocer los alimentos.
  5. Use guantes de protección y abra la tapa. Use un utensilio de mango largo para colocar los alimentos en las parrillas de cocción sobre las áreas que no tienen briquetas encendidas.
  6. Con la tapa cerrada, haga la cocción de los alimentos hasta que la temperatura interna del alimento se haya alcanzado.
- Nota:* Si es necesario agregar briquetas, remueva los alimentos de la parrilla de cocción y usando guantes de protección remueva la parrilla de cocción y coloque briquetas adicionales sin revolver las ya encendidas. Cuidadosamente vuelva a colocar la parrilla y, luego, los alimentos.
7. Deje que el carbón de leña se extinga completamente antes de cerrar la tapa y todos los orificios de ventilación. NO vierta agua sobre los carbones calientes, excepto en caso de una emergencia.
- Para mayores sugerencias sobre cocción indirecta, por favor consulte la sección "Sugerencias para una mejor preparación de los alimentos y una vida útil más larga de la parrilla".



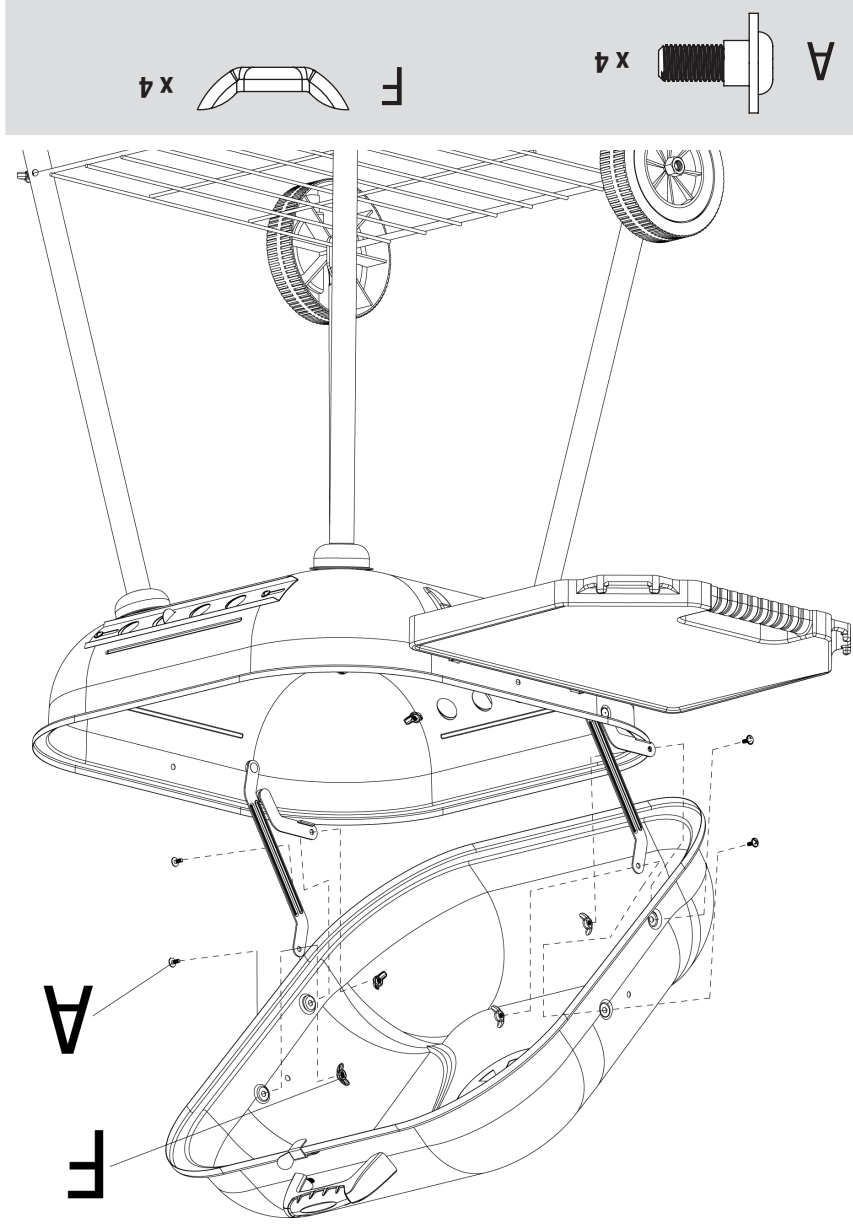
Coloque la bandeja para el carbón de leña y la parrilla de cocción

8



Coloque la rejilla de calentamiento

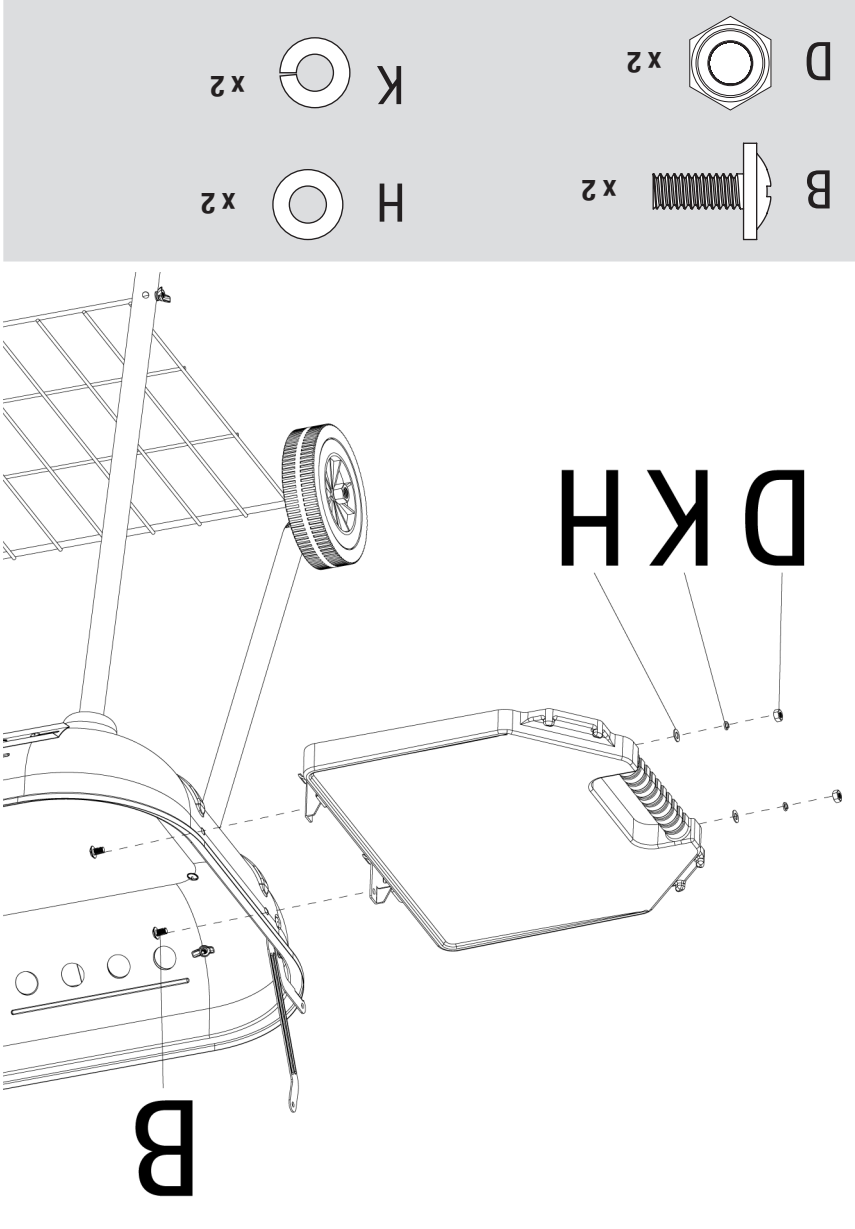
7



Fije la tapa

6

A x 4  
F x 4



Fije la repisa lateral

5

D x 2  
K x 2  
B x 2  
H x 2

DKH

B





**1 NO DEVUELVA EL PRODUCTO AL LUGAR DE COMPRA**

Si necesita ayuda llame, sin cargo, al 1.800.762.1142. Por favor tenga a mano su manual y el número del modelo, para referencia.

Para facilitar el armado:

- Evite la pérdida de componentes pequeños o elementos de ferretería, armando el producto en un lugar de piso plano sin aberturas ni hendiduras.
- Despeje un área suficientemente grande para disponer todos los componentes y los elementos de ferretería.
- Cuando sea del caso, apriete a mano, en un principio, las conexiones de ferretería. Una vez que ha terminado el paso, apriete completamente todos los elementos de ferretería.
- Siga todos los pasos en el orden indicado para armar debidamente esta unidad.

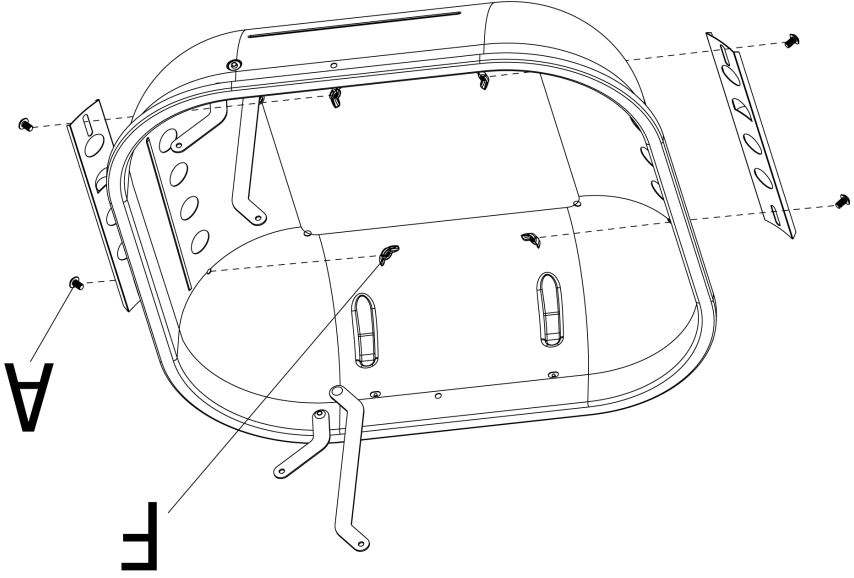
Para terminar el armado de la unidad necesitará:

- (1) bolsa de carbón de leña

*Nota:* Es importante que siga en forma apropiada todos los pasos de armado de la parrilla.

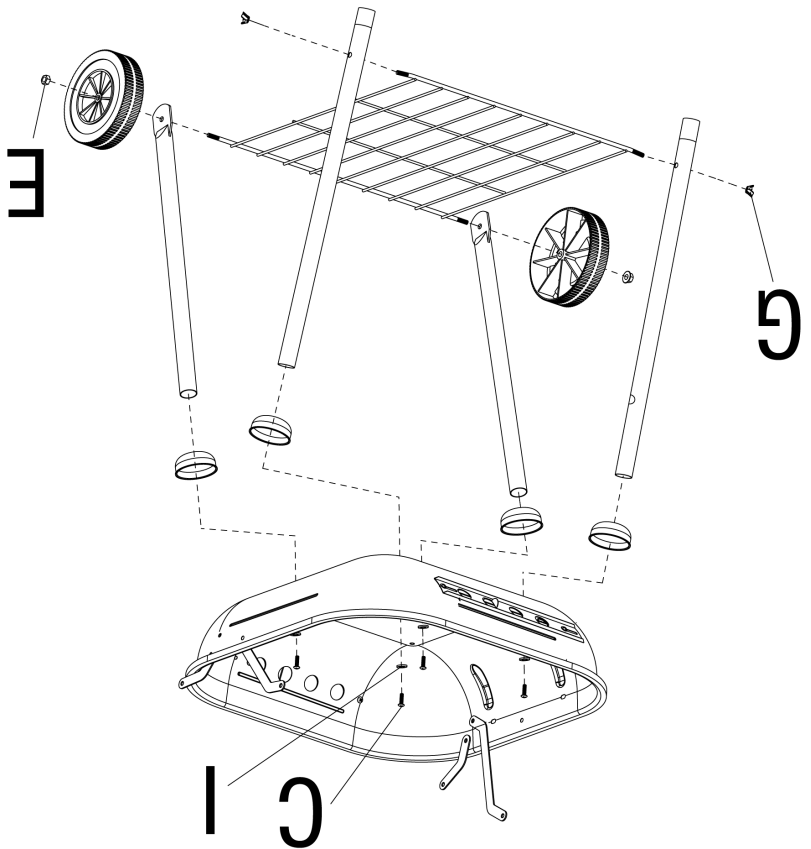
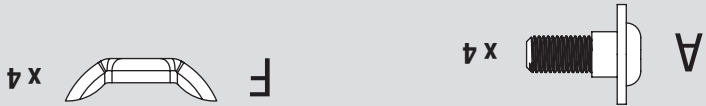
Tiempo de armado estimado: 1 (una) hora.

1



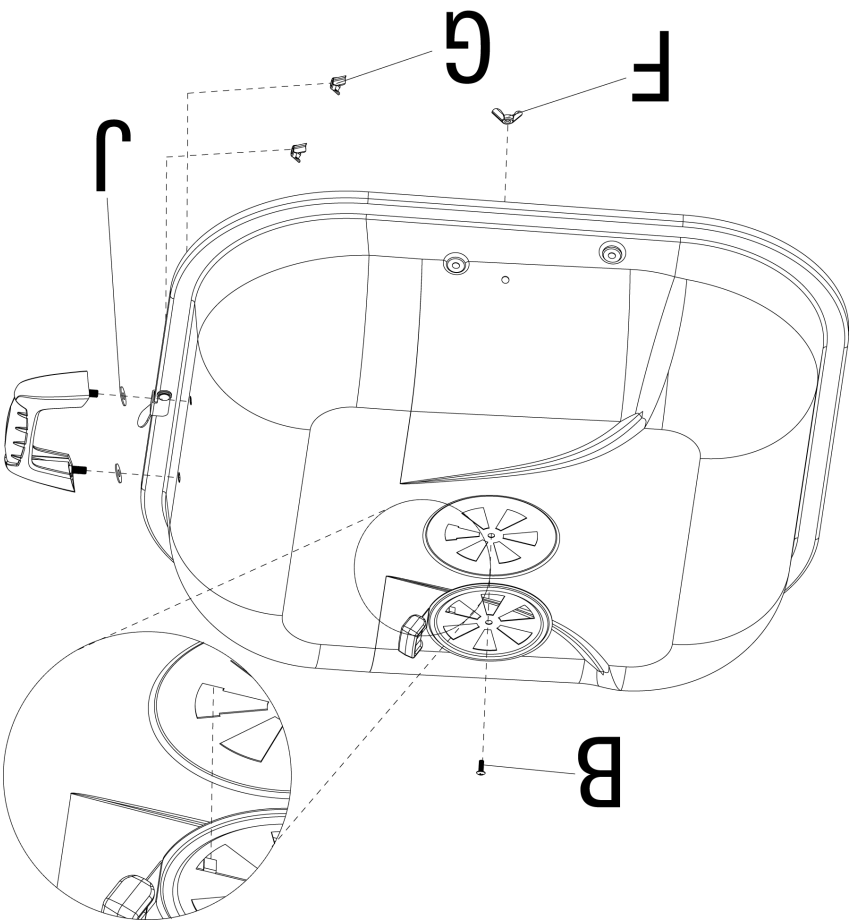
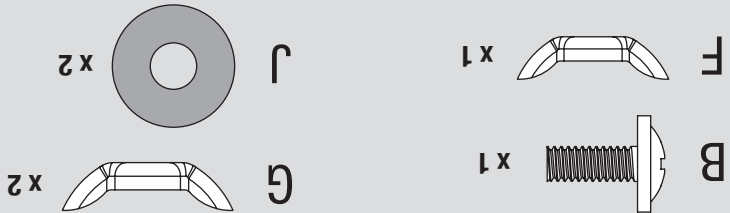
Fije los reguladores de aire del cuenco de abajo

3



Fije las patas, las ruedas y la repisa interior de rejilla

4



Fije la manija y el regulador de aire de la tapa

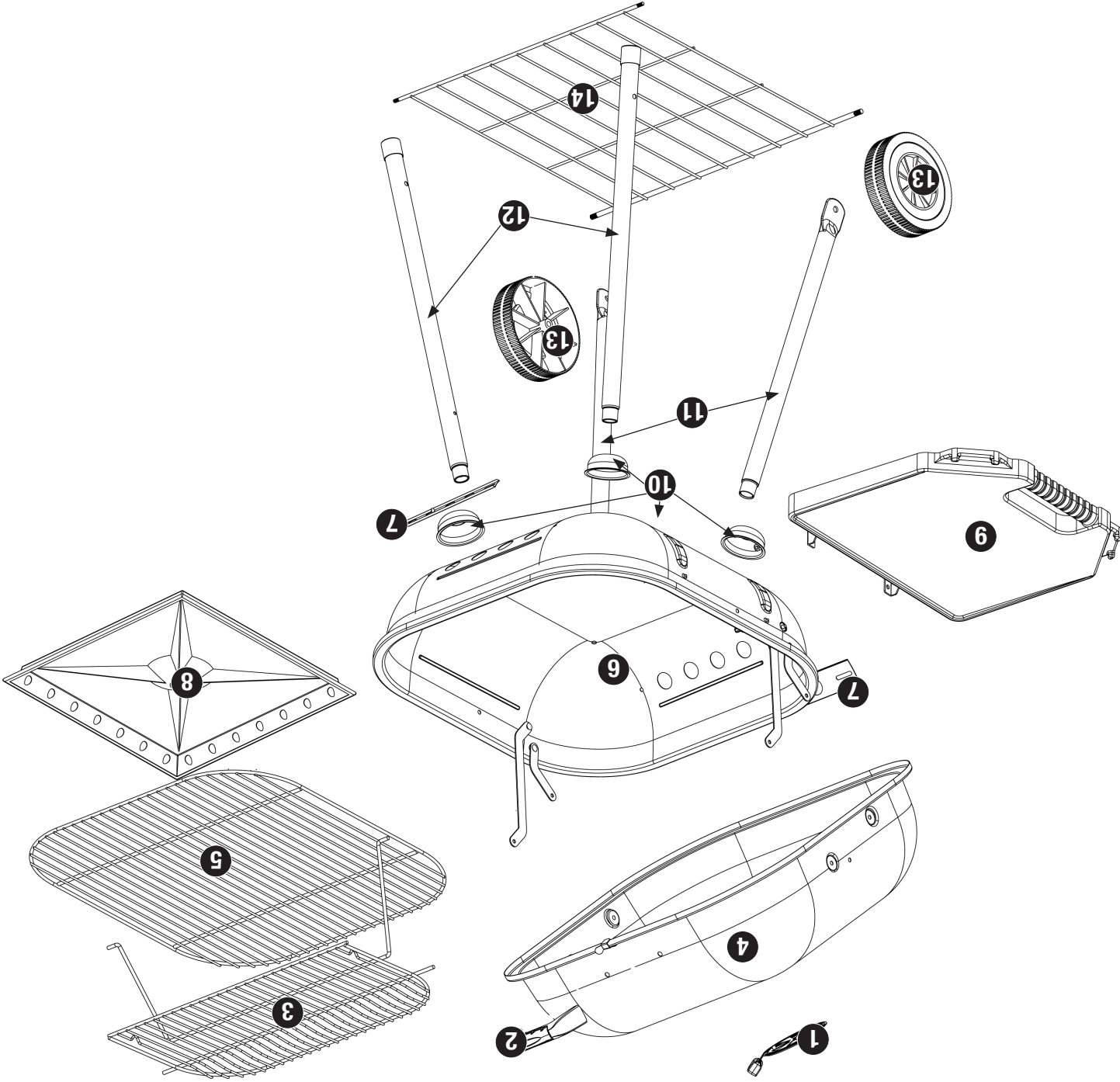
2

Si necesita ayuda llame al 1.800.762.1142. No vuelva al lugar de compra. Para obtener excelentes recetas y sugerencias, visite [recipes.uniflam.com](http://recipes.uniflam.com).

### Lista de piezas

1	Regulador de aire de la tapa	55-14-681
2	Manija	55-14-688
3	Rejilla de calentamiento	55-07-028
4	Tapa	55-09-196
5	Parrilla de cocción	55-08-239
6	Cuenco de abajo	55-09-193
7	Regulador de aire del cuenco de abajo (2)	55-14-686
8	Bandeja para el carbón de leña	55-14-679
9	Repisa lateral	55-09-198
10	Copa de soporte de la pata (4)	55-14-684
11	Pata trasera (2)	55-14-677
12	Pata delantera (2)	55-09-194
13	Rueda (2)	55-14-683
14	Repisa inferior de rejilla	55-14-675

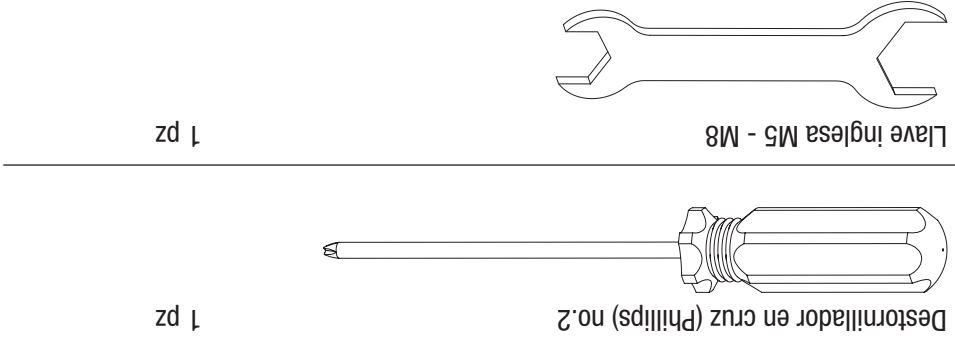
### Diagrama de explosión



### Elementos de ferretería

A	Tornillo	Phillips de cabeza abombada, galvanizado, M5x12	8 pzs
B	Tornillo	Phillips de cabeza abombada, galvanizado, M5x12	3 pzs
C	Tornillo	Phillips de cabeza abombada, galvanizado, M6x30	4 pzs
D	Tuerca	Galvanizada, M5	2 pzs
E	Tuerca	Galvanizada, M8	2 pzs
F	Tuerca de mariposa	Acero, M5	9 pzs
G	Tuerca de mariposa	Acero, M6	4 pzs
H	Arandela	Galvanizada, ø5	2 pzs
I	Arandela	Galvanizada, ø6	4 pzs
J	Arandela	Resistente al calor, ø6	2 pzs
K	Arandela de cierre	Galvanizada, ø5	2 pzs

### Herramientas necesarias para el armado (incluidas)



Destornillador en cruz (Phillips) no.2  
1 pz

Llave inglesa M5 - M8  
1 pz



▲ **PELIGRO:** El no seguir los avisos de peligro, las advertencias y las precauciones de este manual, puede ocasionar un incendio o una explosión, con sus consecuentes daños a la propiedad, lesiones personales y hasta accidentes fatales.

▲ **ADVERTENCIA:**

- ▲ Esta parrilla es para ser usada al aire libre únicamente y no debe usarse en un edificio, garaje o cualquier otra área cerrada.
- ▲ **NO** opere, encienda o use esta unidad a menos de 8 pies (2,43 m) de paredes estructuras o edificaciones.
- ▲ Esta parrilla **NO** ha sido diseñada para uso comercial.
- ▲ **NO** use la parrilla para cocinar dentro o calentar el ambiente. Los gases tóxicos de monóxido de carbono pueden acumularse y provocar la asfixia.
- ▲ **No** utilice gasolina, queroseno o alcohol para encender la parrilla.
- ▲ **No** utilice el equipo en una atmósfera explosiva. Mantenga la zona de la parrilla libre de materiales combustibles, gasolina y cualquier otro vapor o líquido inflamable.
- ▲ **No** guarde o use gasolina u otros líquidos o vapores inflamables a menos de 25 pies (7,62 m) de esta unidad.
- ▲ Las briquetas de encendido instantáneo pueden arder a muy alta temperatura durante su encendido inicial. Asegúrese de tener la tapa abierta hasta que las briquetas se tornen en carbonos encendidos.
- ▲ Mantenga todo material y superficies combustibles a por lo menos 53 cm (21 pulgadas) de la parrilla en todo momento. **NO** use esta parrilla debajo de aleros o cerca de construcciones combustibles que no estén debidamente protegidas.
- ▲ **No** altere la parrilla de ninguna forma.
- ▲ **No** utilice la parrilla a menos que esté completamente montada y que todas las piezas estén bien fijadas y apretadas.
- ▲ Esta parrilla debe limpiarse y verificarse completamente de manera regular.
- ▲ Use únicamente piezas autorizadas de fábrica de Blue Rhino Global Sourcing, Inc. El uso de cualquier pieza no autorizada de fábrica puede ser peligroso. Su uso invalida su garantía.
- ▲ **No** encienda esta unidad sin haber leído las instrucciones de “Encendido” que se encuentran en este manual.
- ▲ **No** toque las piezas de metal de la parrilla hasta que no se haya enfriado completamente (alrededor de 45 minutos) para evitar quemaduras, a menos que usted tenga puestos elementos de protección tales como guantes o almohadilla para las ollas, guantes de barbacoa, etc.
- ▲ **Nunca** toque rejillas (de carbón de leña o de cocción), las cenizas o el carbón para determinar si están calientes.
- ▲ **No** usar sobre terrazas de madera, muebles de madera o sobre cualquier otra una superficie combustible.
- ▲ **NO** instalar o utilizar en embarcaciones o vehículos de recreo.
- ▲ Coloque la parrilla de manera que el viento no lleve cenizas a superficies combustibles.

▲ **No** utilice la parrilla si hace mucho viento.

▲ **Nunca** se apoye sobre la parrilla cuando la está encendiendo.

▲ **No** deje una parrilla encendida sin vigilancia, especialmente, mantenga los niños y las mascotas lejos de la parrilla en todo momento.

▲ **No** intente mover la parrilla mientras esté encendida. Deje que la parrilla se enfríe antes de moverla o guardarla.

▲ **Abra** siempre la tapa de la parrilla en forma cuidadosa y lentamente, pues el calor y el vapor que hay dentro de la parrilla pueden ocasionarle severas quemaduras.

▲ **Coloque** siempre la parrilla sobre una superficie firme y nivelada que no sea combustible. Una superficie de asfalto o de pavimento puede que no sea adecuada para este propósito.

▲ **No** quite las cenizas antes de que éstas se hayan completamente

entrado y apagado.

▲ **Briquetas** y carbonos encendidos pueden crear un riesgo de incendio.

▲ **Siempre** vacíe el recipiente para la ceniza y la parrilla después de

haberlos usado. **No** remueva la ceniza antes de que toda ella se haya

extinguido completamente.

▲ **No** coloque materias combustibles (briquetas, madera o carbón de leña

en bloque) directamente en el fondo de la parrilla. Coloque la materia

combustible únicamente en la rejilla y bandeja para el carbón de leña.

▲ **Verifique** que las aberturas de ventilación están libres de ceniza o

residuos antes de usar la parrilla y mientras la está usando.

▲ **Verifique** que el recipiente para la ceniza está asegurado y totalmente en

su lugar antes de usar la parrilla.

▲ **Use** siempre guantes de protección cuando vaya a agregar materia

combustible para mantener el nivel de temperatura deseada.

▲ **Mantenga** todos los cables eléctricos lejos de una parrilla caliente.

▲ **Use** siempre un termómetro para carne para asegurar que la comida ha

quedado cocida a la temperatura apropiada.

▲ **Nunca** cubra la totalidad del área de cocción con papel de aluminio.

▲ **Por** favor, use guantes de protección cuando esté armando este

producto.

▲ **No** trate de forzar las piezas juntas pues esto puede ocasionar lesiones o

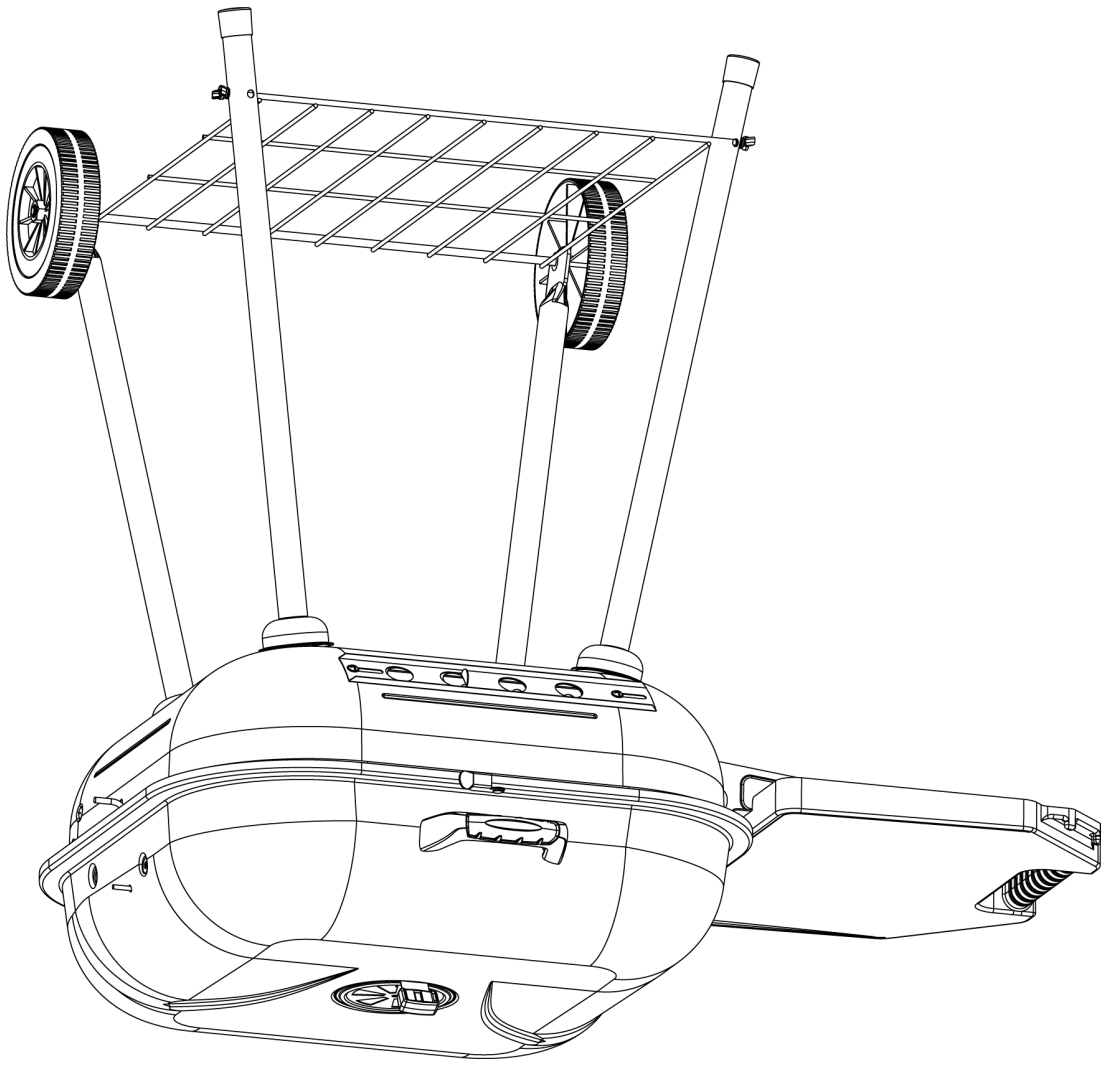
dañar el producto.

▲ **El** no seguir exactamente las instrucciones dadas arriba puede producir

daños a la propiedad, lesiones serias y hasta fatales.

## Parrilla de carbón de leña para exteriores

Modelo no. CBC911W



<b>Índice</b>	
Salvaguardias importantes	Página 2
Diagrama de explosión y elementos de ferretería	3
Instrucciones de armado	4
Instrucciones de operación	6
Uso por primera vez	6
Cocción	6
Sugerencias	7
Limpieza y cuidado	7
Registro del producto	7
Garantía limitada	7

Conserve estas instrucciones para futuras consultas. Si está montando esta unidad para otra persona, entéguele este manual para futuras consultas.

**ADVERTENCIA**

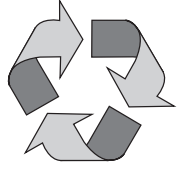
PARA SU SEGURIDAD:

**Solamente para uso en exteriores**  
(fuera de cualquier recinto)

**ADVERTENCIA**

PARA SU SEGURIDAD:

- Una instalación, ajuste, alteración, reparación o mantenimiento inadecuados pueden causar lesiones o daños a la propiedad.
- Lea atentamente las instrucciones de instalación, funcionamiento y mantenimiento del equipo antes de instalarlo, ponerlo en marcha o darle servicio.
- El no seguir estas instrucciones puede ocasionar un incendio o una explosión, con sus consecuentes daños a la propiedad, lesiones personales y hasta accidentes fatales.



Hecho con 70% de bagazo de caña de azúcar respetuoso del medio ambiente)

Fabricado en China para:  
Blue Rhino Global Sourcing, Inc.  
1 Winston-Salem, NC EE.UU.  
1.800.762.1142, www.bluerhino.com

© 2008 Blue Rhino Global Sourcing, Inc. Todos los derechos reservados.  
UniFlame® es una marca registrada de Blue Rhino Global Sourcing, Inc. Todos los derechos reservados.



## Free Manuals Download Website

<http://myh66.com>

<http://usermanuals.us>

<http://www.somanuals.com>

<http://www.4manuals.cc>

<http://www.manual-lib.com>

<http://www.404manual.com>

<http://www.luxmanual.com>

<http://aubethermostatmanual.com>

Golf course search by state

<http://golfingnear.com>

Email search by domain

<http://emailbydomain.com>

Auto manuals search

<http://auto.somanuals.com>

TV manuals search

<http://tv.somanuals.com>