

VIDEO

# Travel Entertainment Video unit TEV-501

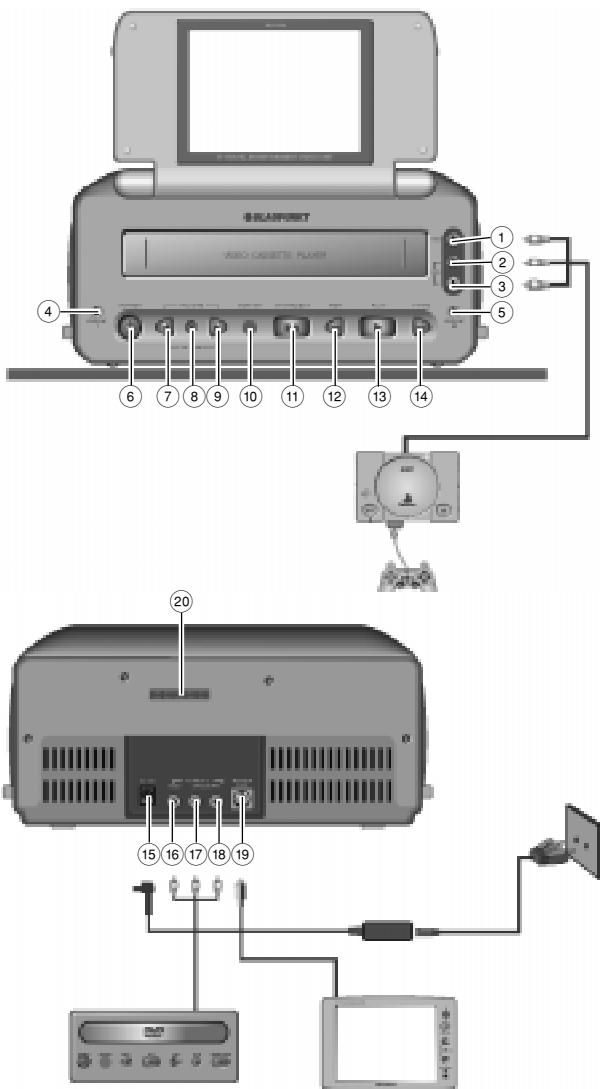
Operating and installation instructions



 **BLAUPUNKT**

---

Bitte aufklappen  
Open here  
Ouvrir s.v.p.  
Aprite la pagina  
Hier openslaan a.u.b.  
Öppna här  
Por favor, abrir  
Favor abrir



- ① Video input **VIDEO IN**
- ② Audio input, left channel  
**AUDIO IN L**
- ③ Audio input, right channel  
**AUDIO IN R**
- ④ Headphone output 1  
**HEADPHONE 1**
- ⑤ Headphone output 2  
**HEADPHONE 2**
- ⑥ On/off button **POWER**
- ⑦ Volume control, quieter  
**VOLUME**, picture controls
- ⑧ Sequence switch for setting contrast, brightness, colour and tint **PICTURE**
- ⑨ Volume control, louder  
**VOLUME**, picture controls
- ⑩ Infrared receiver for remote control, optional **SENSOR**
- ⑪ Stop button, eject cassette from the unit **STOP/EJECT**
- ⑫ Fast rewind button **REWIND**
- ⑬ Playback button **PLAY**
- ⑭ Fast forward button **FFWD**
- ⑮ Input for 12-volt direct current  
**DC 12V**
- ⑯ Video input **VIDEO IN**
- ⑰ Audio input, left channel  
**AUDIO IN L**
- ⑱ Audio input, right channel  
**AUDIO IN R**
- ⑲ Output for an external monitor  
**AV OUT**
- ⑳ Input for an optional television receiver


# CONTENTS

---

<b>Notes .....</b>	<b>15</b>
<b>Securing and installing the TEV-501 .....</b>	<b>16</b>
Before using for the first time .....	16
Securing the TEV-501 between the front seats .....	17
Operating the TEV-501 in buildings ..	18
<b>Operating the TEV-501 .....</b>	<b>18</b>
Switching the TEV-501 on/off .....	18
Playing a video cassette .....	18
Inserting a video cassette .....	18
Removing a video cassette .....	18
Playing a video cassette .....	18
Fast tape winding .....	19
Connecting external sources (games consoles, DVD players and television receivers) .....	19
Connecting a games console/ DVD player to the TEV-501 .....	19
Connecting an external monitor ..	19
Connecting a television receiver to the TEV-501 .....	19
Headphone connection .....	19
Adjusting the volume .....	20
Adjusting the picture .....	20
Adjusting the contrast .....	20
Adjusting the brightness .....	20
Adjusting the colour .....	20
Adjusting the tint .....	20
<b>Technical data .....</b>	<b>21</b>

Thank you for deciding to use a Blaupunkt product. We wish you a lot of fun with your new piece of equipment.

Before operating the TEV-501 (Travel Entertainment Video) unit for the first time, please read these operating instructions carefully and keep them in the TEV-501's case for future reference. Please observe the following safety instructions to ensure you operate the TEV-501 safely and in a manner that will not be of danger to anyone.

 The TEV-501 must be connected to a switched power supply (e.g. the cigarette lighter) and must not be connected directly to the vehicle battery. To avoid the battery running flat, disconnect the TEV-501 from the power supply when not in use.

The TEV-501 must always be secured in its case using the Velcro straps. Fasten the unit to the eyelets at the side.

Ensure that the unit is attached and secured in accordance with these operating instructions.

The S-hooks and all the straps must be attached and fastened correctly to avoid the unit causing injury in the event of an accident.

To ensure that the TEV-501 is well ventilated, only operate the unit with the case opened.

Only use the supplied power supply unit. Always disconnect the power supply from the socket or cigarette lighter first, before disconnecting the cable from the TEV-501.

Never touch the unit with moist hands.

To clean the unit, only use a dry, lint-free cloth. Never use harsh cleansing agents or thinners.

Danger of electric shock. Never open the unit's housing. It does not contain any components that can be serviced by the user.

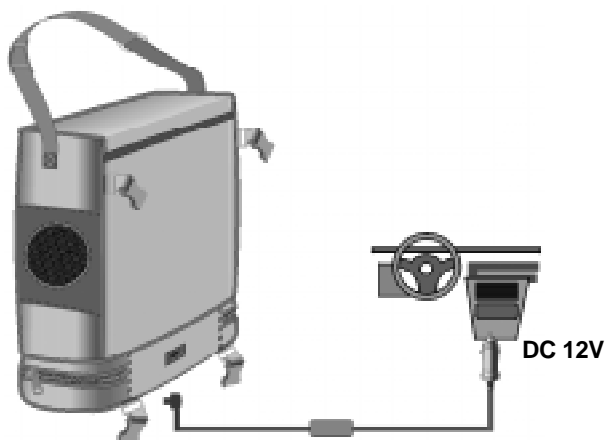
Remove the video cassette from the unit when not in use.

# SECURING AND INSTALLING THE TEV-501

## Securing and installing the TEV-501

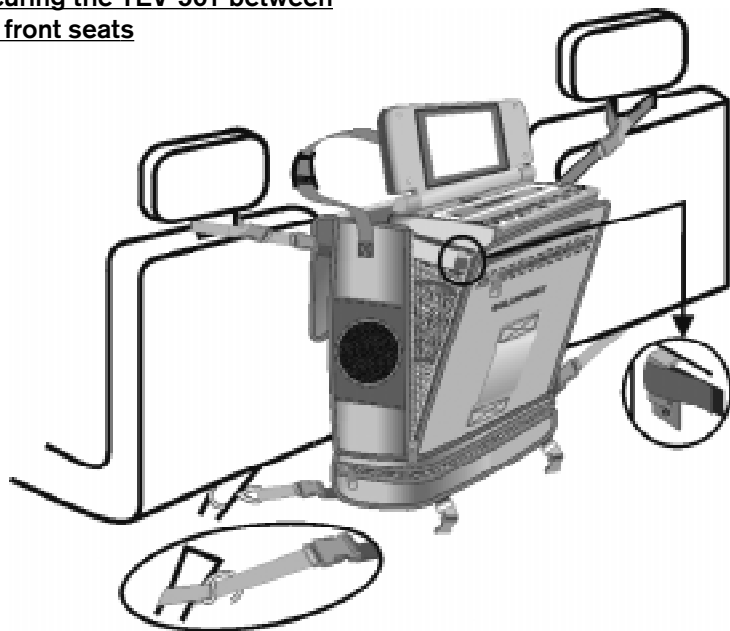
### Before using for the first time

- ⇒ Open the lower storage compartment of the TEV-501's case, and remove the cigarette lighter adapter and the four straps.
- ⇒ Close the lower storage compartment.
- ⇒ Remove the unit from its case.
- ⇒ Thread the adapter cable through the opening in the case.
- ⇒ Connect the plug to the **DC 12V** input of the TEV-501.
- ⇒ Place the unit back into the case.
- ⇒ Secure the TEV-501 using the Velcro straps located inside the case by threading the Velcro straps through the eyelets on the side of the unit.



# SECURING AND INSTALLING THE TEV-501

## Securing the TEV-501 between the front seats



ENGLISH

- ⇒ Take one of the straps that does not have an S-hook attached.
- ⇒ Place the strap around one of the headrest supports on the driver seat.
- ⇒ Fasten the belt around the headrest support using the two buckles.
- ⇒ Connect one of the strap's buckles to the corresponding buckle on the side of the bag. You can adjust the length of the strap to suit the conditions in the vehicle interior.
- ⇒ Repeat this procedure for the passenger seat.
- ⇒ Now take one of the straps that does have an S-hook attached.
- ⇒ Connect the buckle of the S-hook strap with one of the buckles at the lower end of the case.
- ⇒ Place the strap around the seat rail of the driver seat or the lower safety belt attachment point.
- ⇒ Thread the strap through the S-hook.
- ⇒ Pull the strap tight.



# OPERATING THE TEV-501

---

- ⇒ Repeat this procedure for the passenger seat.
- ⇒ Open the case's upper lid.
- ⇒ Flip up the monitor.
- ⇒ Open the zip fasteners at the front of the case. The unit is angled at around 15°. Close the zip fasteners until the unit is set at an angle that you find convenient.

## Operating the TEV-501 in buildings

- ⇒ Place the unit on a secure and level surface.
- ⇒ Open the lower storage compartment in the TEV-501's case, and remove the power supply unit.
- ⇒ Connect the output of the power supply unit to the **DC 12V** input of the TEV-501.
- ⇒ Connect the mains power cable to a 220-volt socket.

## Operating the TEV-501

### Switching the TEV-501 on/off

- ⇒ Press the **POWER** button to switch the TEV-501 on/off.

### Playing a video cassette

#### **Note**

The TEV-501 is designed to play standard consumer video cassettes of the VHS variety (**V**ideo **H**ome **S**ystem). Never try inserting other cassettes other than VHS cassettes into the TEV-501. Suitable VHS video cassettes are labelled with the VHS symbol. Blaupunkt-Werke cannot accept any liability for damage that may occur from using other video cassettes in this unit.

### **Inserting a video cassette**

- ⇒ Carefully insert a video cassette with its printed side uppermost and its flap side first into the cassette compartment of the TEV-501.

### **Removing a video cassette**

- ⇒ With playback stopped, press the **STOP/EJECT** button.

### **Playing a video cassette**

- ⇒ To begin playback, press the **PLAY** button.

#### **Note**

Video cassettes will be played automatically if their recording protection mechanism has been activated.

## Fast tape winding

To fast forward the tape,

⇨ Press the **FFWD** button.

To fast rewind the tape,


⇨ Press the **REW** button.

## Connecting external sources (games consoles, DVD players and television receivers)

You can connect up to two external video and audio sources to the TEV-501 (e.g. a games console or DVD player), and use the monitor and loudspeakers for the output. The TEV-501 has two separate inputs for video signals and stereo audio signals. The inputs are located on the front and back of the TEV-501. If all the inputs are in use, the TEV-501 gives priority to the inputs at the front of the unit.

### Connecting a games console/DVD player to the TEV-501

⇨ Use a suitable cable to connect a games console/DVD player to the **VIDEO IN**, **AUDIO IN L** and **AUDIO IN R** inputs at the front or back of the TEV-501.

 To avoid damage to the TEV-501 and the games console, make absolutely certain that the cable colours match the jack colours on the units.

⇨ First switch on the games console.

⇨ Now switch on the TEV-501.

To enable an external source to output on the TEV-501,

⇨ Press the **STOP** button.

### Connecting an external monitor

You can connect a monitor to the TEV-501 in order to output to this monitor.

⇨ Connect an external monitor or television to the **AV OUT** connection on the TEV-501.

### Connecting a television receiver to the TEV-501

There is a 32-pin connection at the back of the TEV-501 to allow you to connect the optionally available TET-01 television receiver. If you want to purchase a television receiver for the TEV-501, please contact a Blaupunkt dealer.

### Headphone connection

There are two 3.5 mm headphone connections at the front of the TEV-501 labelled **HEADPHONE 1** and **HEADPHONE 2**. You can connect headphones to either of these jacks. If you connect a headphone to the **HEADPHONE 1** jack, the unit's internal loudspeakers will be deactivated. If you only connect up the **HEADPHONE 2** jack, sound will be outputted simultaneously over the internal loudspeakers.

# OPERATING THE TEV-501

---

## Adjusting the volume

To increase the volume,

- ⇒ Press the right **VOLUME** button.

To decrease the volume,

- ⇒ Press the left **VOLUME** button.

Whilst you are making your adjustments, a symbolic representation of the volume level appears in the display.

## Adjusting the picture

### **Adjusting the contrast**

To adjust the contrast of the monitor,

- ⇒ Press the **PICTURE** button.

*CONTRAST* appears in the display.

- ⇒ Adjust the picture contrast using the two **VOLUME** buttons.

### **Adjusting the brightness**

To adjust the brightness of the monitor,

- ⇒ Repeatedly press the **PICTURE** button until *BRIGHTNESS* appears in the display.
- ⇒ Adjust the brightness using the two **VOLUME** buttons.

### **Adjusting the colour**

To adjust the colour of the monitor,

- ⇒ Repeatedly press the **PICTURE** button until *COLOR* appears in the display.
- ⇒ Adjust the colour using the two **VOLUME** buttons.

### **Adjusting the tint**

To adjust the tint of the monitor,

- ⇒ Repeatedly press the **PICTURE** button until *TINT* appears in the display.
- ⇒ Adjust the tint using the two **VOLUME** buttons.

## Technical data

Television standard

PAL/NTSC/ME  
SECAM/SECAM L

Diagonal image size

Approx. 12.4 cm  
(5 inches)

Audio tracks 1

Tape width 12.7 mm

Tape speed SP

33.35 mm/s

Fast tape winding

Less than 7 minutes  
for a 120-minute  
cassette

Video output 1.0 Vp/p, 75 ohms,  
unbalanced

Video S/N Better than 40 dB

Audio power 2 x 0.5 W

Audio S/N Better than 40 dB

Electrical power supply

DC 12 V,  
AC 100 - 240 V/  
50 - 60 Hz

Power consumption

18 W

Permissible air humidity

10-75%

Permissible temperature range

-20° to +60° Celsius

Dimensions (W x H x D)

275 x 345 x 125 mm

**Service-Nummern / Service numbers / Numéros du service après-vente / Numeri del servizio di assistenza / Servicenummers / Telefonnummer för service / Números de servicio / Número de serviço**

	Tel.:	Fax:
Deutschland	0 18 05 00 02 25	0 51 21 49 40 02
Belgique / België	0 25 25 54 44	0 25 25 54 48
France	014 010 70 07	014 010 73 20
Nederland	023 565 63 48	023 565 63 31
Great Britain	018 958 383 66	018 958 383 94
Danmark	44 89 83 60	44 89 86 44
Sverige	08 750 15 00	08 750 18 10
Norge	66 81 70 00	66 81 71 57
Suomi	094 359 91	094 359 92 36
Österreich	01-6 10 39-0	01-6 10 39-391
Ελλάς	015 762 241	015 769 473
Česká republika	026 130 04 41	026 130 05 14
USA	800-266 25 28	708-681 71 88
Singapore	006 535 054 47	006 535 053 12
Slovensko	042 175 873 212	042 175 873 229

**Blaupunkt-Werke GmbH**  
**Bosch Gruppe**

## Free Manuals Download Website

<http://myh66.com>

<http://usermanuals.us>

<http://www.somanuals.com>

<http://www.4manuals.cc>

<http://www.manual-lib.com>

<http://www.404manual.com>

<http://www.luxmanual.com>

<http://aubethermostatmanual.com>

Golf course search by state

<http://golfingnear.com>

Email search by domain

<http://emailbydomain.com>

Auto manuals search

<http://auto.somanuals.com>

TV manuals search

<http://tv.somanuals.com>