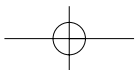
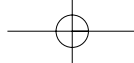


DeWALT Industrial Tool Co., 701 East Joppa Road, Baltimore, MD 21286 Printed in U.S.A. (XXX00-CD-1) Form No. 383609-01
DW900, DW901 Copyright © 2002

The following are trademarks for one or more DeWALT power tools: the yellow and black color scheme; the "D" shaped air intake grill; the array of pyramids on the handgrip; the kit box configuration; and the array of lozenge-shaped humps on the surface of the tool.



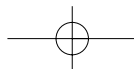


**INSTRUCTION MANUAL
GUIDE D'UTILISATION
MANUAL DE INSTRUCCIONES**

INSTRUCTIVO DE OPERACIÓN, CENTROS DE SERVICIO Y PÓLIZA DE GARANTÍA. **ADVERTENCIA:** LÉASE ESTE INSTRUCTIVO ANTES DE USAR EL PRODUCTO.

DEWALT®

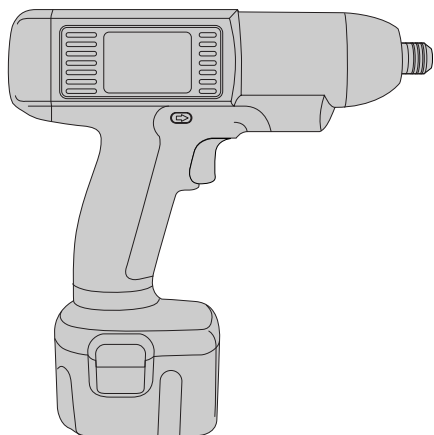
**DW900/DW901
Precision Torque Screwdriver
Tournevis dynamométrique
Destornillador con par de precisión**



Introduction

Thank you for purchasing the DeWALT Precision Torque Screwdriver. The Precision Torque Screwdriver has been designed for maximum productivity: its precise torque control, ease of operation and cordless convenience make it ideal for almost any fastening task. Its quiet, oil-free operation and ergonomically enhanced design make it ideal for almost any line worker. The Precision Torque Screwdriver provides these benefits without the drawbacks of air tools.

IF YOU HAVE ANY QUESTIONS OR COMMENTS ABOUT THIS OR ANY DeWALT TOOL, CALL US TOLL FREE AT:
1-800-4-DEWALT (1-800-433-9258)



Important Safety Instructions

⚠ WARNING: When using electric tools, basic safety precautions should always be followed to reduce risk of fire, electric shock, and personal injury, including the following:

READ ALL INSTRUCTIONS

- **KEEP WORK AREA CLEAN.** Cluttered areas and benches invite injuries.
- **CONSIDER WORK AREA ENVIRONMENT.** Don't expose power tools to rain. Don't use power tools in damp or wet locations. Keep work area well lit. Do not use tool in presence of flammable liquids or gases.
- **GUARD AGAINST ELECTRIC SHOCK.** Prevent body contact with grounded surfaces. For example; pipes, radiators, ranges, and refrigerator enclosures.
- **KEEP CHILDREN AWAY.** Do not let visitors contact tool or extension cord. All visitors should be kept away from work area.
- **STORE IDLE TOOLS.** When not in use, tools should be stored in dry, and high or locked-up place — out of reach of children.
- **DON'T FORCE TOOL.** It will do the job better and safer at the rate for which it was intended.
- **USE RIGHT TOOL.** Don't force small tool or attachment to do the job of a heavy-duty tool. Don't use tool for purpose not intended.
- **DRESS PROPERLY.** Do not wear loose clothing or jewelry. They can be caught in moving parts. Rubber gloves and non-skid footwear are recommended when working outdoors. Wear protective hair covering to contain long hair. Air vents often cover moving parts and should also be avoided.
- **USE SAFETY GLASSES.** Also use face or dust mask if operation is dusty.
- **SECURE WORK.** Use clamps or a vise to hold work. It's safer than using your hand and it frees both hands to operate tool.
- **DON'T OVERREACH.** Keep proper footing and balance at all times.

- **MAINTAIN TOOLS WITH CARE.** Keep tools sharp and clean for better and safer performance. Follow instructions for lubricating and changing accessories. Inspect tool cords periodically and if damaged, have repaired by authorized service facility. Inspect extension cords periodically and replace if damaged. Keep handles dry, clean, and free from oil and grease.
 - **REMOVE ADJUSTING KEYS AND WRENCHES.** Form habit of checking to see that keys and adjusting wrenches are removed from tool before turning it on.
 - **DISCONNECT OR LOCK OFF TOOLS** when not in use, before servicing, and when changing accessories, such as blades, bits, cutters.
 - **AVOID UNINTENTIONAL STARTING.** Don't carry tool with finger on switch
 - **STAY ALERT.** Watch what you are doing. Use common sense. Do not operate tool when you are tired.
 - **CHECK DAMAGED PARTS.** Before further use of the tool, a guard or other part that is damaged should be carefully checked to determine that it will operate properly and perform its intended function. Check for alignment of moving parts, binding of moving parts, breakage of parts, mounting, and any other conditions that may affect its operation. A guard or other part that is damaged should be properly repaired or replaced by an authorized service center unless otherwise indicated elsewhere in this instruction manual. Have defective switches replaced by authorized service center. Do not use tool if switch does not turn it on and off.
 - **⚠ CAUTION:** When fastening into walls, floors or wherever live electrical wires may be encountered, **DO NOT TOUCH ANY METAL PARTS OF THE TOOL!** Hold the tool only by insulated grasping surfaces to prevent electric shock if you drill or drive into a live wire.
 - **⚠ CAUTION:** Remove battery pack before adjusting tool torque setting.
- ⚠ CAUTION:** Some tools with large battery packs will stand upright on the battery pack but may be easily knocked over. When not in use,

place tool on its side on a stable surface where it will not cause a tripping or falling hazard.

⚠ WARNING: Some dust created by power sanding, sawing, grinding, drilling, and other construction activities contains chemicals known to cause cancer, birth defects or other reproductive harm. Some examples of these chemicals are:

- lead from lead-based paints,
- crystalline silica from bricks and cement and other masonry products, and
- arsenic and chromium from chemically-treated lumber (CCA).

Your risk from these exposures varies, depending on how often you do this type of work. To reduce your exposure to these chemicals: work in a well ventilated area, and work with approved safety equipment, such as those dust masks that are specially designed to filter out microscopic particles.

- Avoid prolonged contact with dust from power sanding, sawing, grinding, drilling, and other construction activities. Wear protective clothing and wash exposed areas with soap and water. Allowing dust to get into your mouth, eyes, or lay on the skin may promote absorption of harmful chemicals.

SAVE THESE INSTRUCTIONS

Important Safety Instructions for Battery Chargers

- This manual contains important safety and operating instructions for the DW900/DW901.
- **⚠ CAUTION:** To reduce risk of injury, charge only DeWALT 12.0V 4/5 Cell or 12.0V High Capacity type of batteries. Other types of batteries may burst, causing personal injury and damage.
- Before using charger, read all instructions and cautionary markings on (1) charger, (2) battery pack, and (3) product using battery pack.
- **⚠ DANGER:** 120 volts present at charging terminals. Do not probe

- with conductive objects. Danger of electric shock or electrocution.
- ⚠ **DANGER:** If battery pack case is cracked or damaged, do not insert into charger. Danger of electric shock or electrocution.
- The charger and battery pack are specifically designed to work together. DO NOT attempt to charge the battery pack with any chargers other than the ones in this manual.
- Do not expose charger to rain or snow.
- These chargers are not intended for any uses other than charging DEWALT rechargeable batteries. Any other uses may result in risk of fire, electric shock or electrocution.
- To reduce risk of damage to electric plug and cord, pull by plug rather than cord when disconnecting charger.
- Make sure cord is located so that it will not be stepped on, tripped over, or otherwise subjected to damage or stress.
- An extension cord should not be used unless absolutely necessary. Use of improper extension cord could result in risk of fire, electric shock, or electrocution. If an extension cord must be used, make sure:
 - That the pins on plug of extension cord are the same number, size and shape of those of plug on charger.
 - That extension cord is properly wired and in good electrical condition; and
 - That the wire size is large enough for ac ampere rating of charger as specified below.

Recommended Minimum AWG Size for Extension Cords

Total Extension Cord Length (feet)	25	50	75	100	125	150	175
Wire Gauge	18	18	16	16	14	14	12

- The charger is ventilated through slots in the top and the bottom of the housing. Do not place any object on top of charger or place the charger on a soft surface that might block the ventilation slots and result in excessive internal heat. Place the charger in a position away from any heat source.
- Do not operate charger with damaged cord or plug — have them replaced immediately.

- Do not operate charger if it has received a sharp blow, been dropped, or otherwise damaged in any way; take it to an authorized service center.
- Do not disassemble charger; take it to an authorized service center when service or repair is required. Incorrect reassembly may result in a risk of electric shock, electrocution or fire.
- To reduce risk of electric shock, unplug charger from outlet before attempting any cleaning. Removing the battery pack will not reduce this risk.
- NEVER attempt to connect 2 chargers together.
- DO NOT store or use the tool and battery pack in locations where the temperature may reach or exceed 105°F (such as outside sheds or metal buildings in summer).
- The charger is designed to operate on standard electrical power (120 volts). Do not attempt to use it on any other voltage!
- ⚠ **WARNING:** Don't allow any liquid to get inside charger. Electric shock may result. To facilitate the cooling of the battery pack after use, avoid placing the charger or battery pack in a warm environment such as in a metal shed, or an uninsulated trailer.
- ⚠ **CAUTION:** Never attempt to open the battery pack for any reason. If the plastic housing of the battery pack breaks or cracks, return to a service center for recycling.

SAVE THESE INSTRUCTIONS

Important Safety Instructions for Battery Packs

THE BATTERY PACK IS NOT FULLY CHARGED OUT OF THE CARTON! READ THE SAFETY INSTRUCTIONS BELOW AND FOLLOW CHARGING NOTES AND PROCEDURES.

READ ALL INSTRUCTIONS

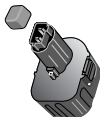
- Do not incinerate the battery pack even if it is severely damaged or is completely worn out. The battery pack can explode in a fire.

- A small leakage of liquid from the battery pack cells may occur under extreme usage or temperature conditions. This does not indicate a failure. However, if the outer seal is broken and this leakage gets on your skin:
 - a. Wash quickly with soap and water.
 - b. Neutralize with a mild acid such as lemon juice or vinegar.
 - c. If battery liquid gets into your eyes, flush them with clean water for a minimum of 10 minutes and seek immediate medical attention. (MEDICAL NOTE: The liquid is 25-35% solution of potassium hydroxide.)
- Never attempt to open the battery pack for any reason. If the plastic housing of the battery pack breaks or cracks, immediately discontinue use and do not recharge.
- Do not carry extra battery packs in aprons, pockets, or tool boxes along with other metal objects. Battery pack could be short circuited causing damage to the battery pack and possibly causing severe burns or fire.
- Charge the battery packs only in DeWALT chargers.

NOTE: The batteries in your battery pack are the nickel-cadmium type. Cadmium is considered to be a toxic material by the Environmental Protection Agency. Before disposing of damaged or worn out nickel-cadmium battery packs, check with your state Environmental Protection Agency to find out about special restrictions on the disposal of these battery packs or return them to a DeWALT certified service center for recycling.

NOTE: Battery storage and carrying caps are provided for use whenever the battery is out of the tool or charger. Remove cap before placing battery in charger or tool.

⚠ WARNING: Do not store or carry battery so that metal objects can contact exposed battery terminals. For example, do not place battery in aprons, pockets, tool boxes, product kit boxes, drawers, etc. with loose nails, screws, keys, etc. without battery cap. Without cap in place, battery could short circuit causing fire or burns or damage to battery.



Product Specifications

TOOL	DW900	DW901
RPM:	850	1400
Dimensions:	8-3/4" x 8-3/4"	8-3/4" x 8-3/4"
Weight: (Tool Only)	2.6 lbs.	2.6 lbs.
Weight: (With Battery)	3.8 lbs.	3.8 lbs.

BATTERY PACKS

DW9072 12.0V 4/5 Cell, Standard Capacity	1.2 lbs
DW9074 12.0V 4/5 Cell, Standard Capacity with State of Charge Indicator.....	1.3 lbs
DW9070 12.0V High Capacity XR™ Pack	1.4 lbs

Operation

REMOVING AND INSTALLING THE BATTERY PACK

To install the battery pack, align the base of the battery with the notch inside the tool's handle and slide the battery firmly into the handle. The battery will snap into place. To remove the battery pack, press the release buttons and firmly pull the battery pack of the tool handle.

QUICK RELEASE CHUCK

NOTE: The chuck accepts 1/4" hex accessories only.

To install an accessory, pull the chuck collar toward the front of the tool, insert the accessory, and release the collar (Figure 1). The accessory will lock into place.

To remove an accessory, pull the chuck collar toward the front of the tool. Remove the accessory and release the collar.

FORWARD/REVERSE BAR

For forward operation, push the bar from right to left. For reverse operation, push the bar

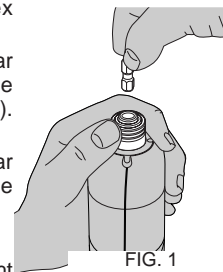


FIG. 1


from left to right. The center position of the bar locks-off the tool. Be sure to release the trigger when changing the position of the forward/reverse bar.

SWITCH

To turn the tool on, squeeze the trigger switch. When the tool reaches its set torque level, the spindle will stop and the LED light on the back of the tool will illuminate. Do not continually squeeze and release the trigger when driving a joint; let the tool stop automatically.

Adjusting Torque Level

⚠ WARNING: Remove the battery before making any adjustments.

- 1) Insert a 1/4" hex key into the spindle and turn it for one rotation. You may hear a click, indicating the clutch is coupled.
- 2) Insert the wireform tool into the two holes on the front ring of the unit. Be sure to insert the wireform tool as shown in Figure 2. Slowly turn the ring until the  symbol shows through the window on the top front of the tool. At this point, the wireform tool will drop into two adjustment notches under the front ring. You will not be able to rotate the ring after the wireform tool drops into the notches.
- 3) Remove the wireform tool from the front of the unit, and re-insert it as shown in Figure 3. **NOTE:** Remove wireform tool before operating unit.
- 4) Insert a 1/4" hex key into the spindle. Holding the unit and wireform tool in one hand, turn the hex key with the other hand (Figure 4). Turn the key counterclockwise to decrease the torque, clockwise to increase the torque. The spindle will click at each torque setting. Each click signifies a torque change of approximately 0.08 N-m. **NOTE:** If the spindle stops clicking and you feel significant resistance, the tool is at its torque limit. Do not force the tool beyond this point.
- 5) Remove wireform tool. Check the torque of the tool with a torque

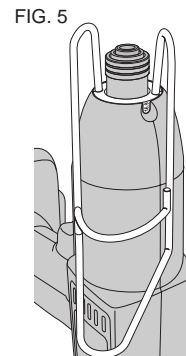
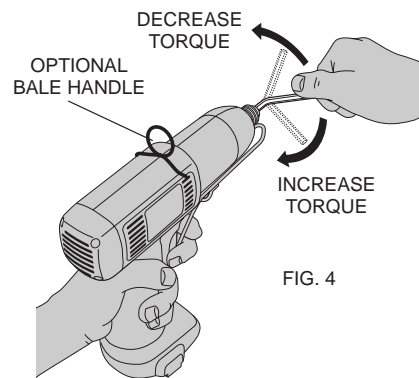
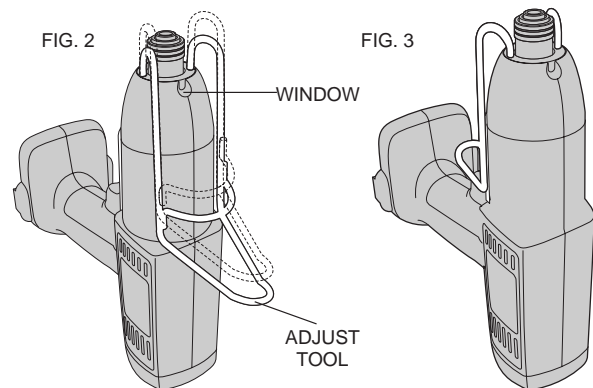


FIG. 5A

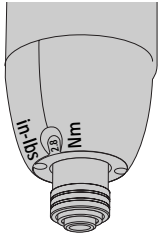
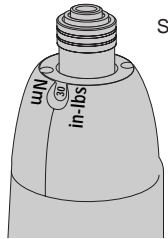
SETTING
FOR N-mSETTING FOR
in-lbs

FIG. 6

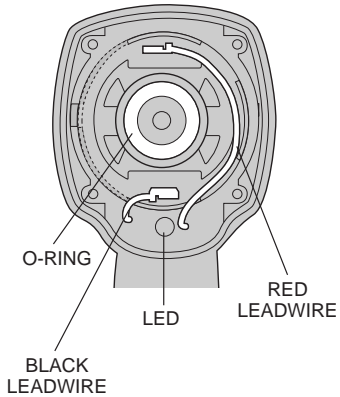
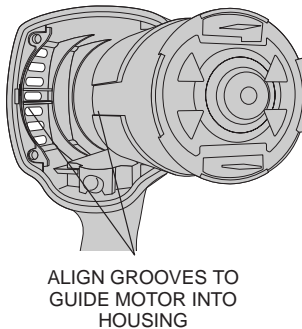


FIG. 7

ALIGN GROOVES TO
GUIDE MOTOR INTO
HOUSING

meter. If necessary, readjust the torque up or down, following the above instructions.

This tool can achieve a maximum torque of approximately 4.5 N-m and a minimum torque of approximately 1.5 N-m.

Setting the Indicator Ring

Once the desired torque is confirmed with a torque meter, use the wireform tool to set the indicator ring. Place the wireform tool about 1/4" into the holes on the front ring and turn the front ring until the numbers on the ring match the torque setting indicated by the torque meter (Figure 5). **Setting the indicator ring will also seal the adjustment holes and prevent dirt from getting into the tool.**

NOTE: Adjusting the indicator ring does not change the torque setting of the tool.

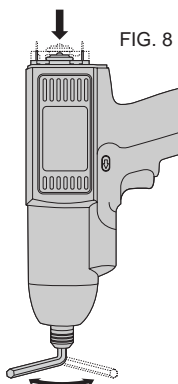
Replacing the Motor Cartridge

⚠ WARNING: Remove the battery before performing any service.

NOTE: To avoid damage to the electronic module, this operation must be performed while wearing a grounding strap attached to earth ground.

- 1) Remove the four fasteners on the back of the tool; remove the endcap.
- 2) Remove the rubber O-ring from the motor (Figure 6).
- 3) Using pliers, remove the motor leadwires, noting color coding and connection scheme (Figure 6).
- 4) Grasp the motor and pull it out from the rear of the unit. Discard the motor.
- 5) Install the O-ring on the replacement motor.
- 6) Align the replacement motor with the housing (Figure 7). The groove formed by the sheet metal ring over the motor should align with the ribs located on the interior of the left housing (as

- viewed from the rear of the tool).
- 7) While holding the tool with the open end up, allow the motor to drop into the tool.
 - 8) Insert the 1/4" hex wrench into the spindle, and turn the spindle until the gear teeth on the motor engage with the gears in the tool. The motor will drop about 1/4" into the tool housing (Figure 8).
 - 9) Inspect all leads for damage; repair or replace as required.
 - 10) Reattach motor leadwires, routing wires around the motor can. The wires should be routed down and inward near the LED. Ensure the wires are not blocking the LED.
 - 11) Replace the endcap, tighten the four fasteners to 0.9 N-m head torque.



Operation Tips

- Pulling the trigger once uses about the same amount of battery power as driving one fastener. Avoid running the tool at "no-load" to conserve battery power.
- Avoid "feathering" the trigger. Allow the tool to stop automatically when driving a fastener.

Accessories

Recommended accessories for use with your tool are available at extra cost from your distributor or local service center.

⚠ CAUTION: The use of any non-recommended accessory may be hazardous.

BATTERY PACKS

DW9072	12.0V 4/5 Cell, Standard Capacity
DW9074	12.0V 4/5 Cell, Standard Capacity with State of Charge Indicator
DW9070	12.0V High Capacity XR™ Pack

CHARGERS

DW9106	1 Hour Charger
DW9115	15-Minute Charger
DW9107	XR2 Charger

Important

To assure product SAFETY and RELIABILITY, repairs, maintenance and adjustment (including brush inspection and replacement) should be performed by authorized service centers or other qualified service organizations, always using identical replacement parts.

Full Warranty

DeWALT heavy duty industrial tools are warranted for one year from date of purchase. We will repair, without charge, any defects due to faulty materials or workmanship. For warranty repair information, call 1-800-4-DeWALT. This warranty does not apply to accessories or damage caused where repairs have been made or attempted by others. This warranty gives you specific legal rights and you may have other rights which vary in certain states or provinces.

In addition to the warranty, DeWALT tools are covered by our:

30 DAY NO RISK SATISFACTION GUARANTEE

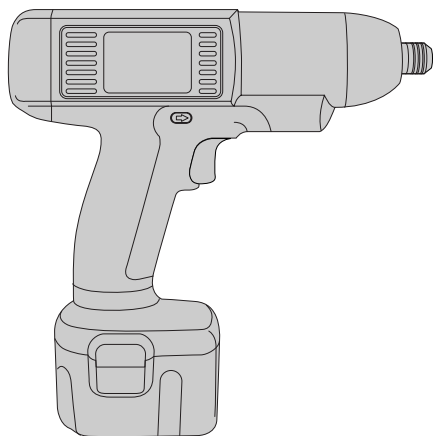
If you are not completely satisfied with the performance of your DeWALT heavy duty industrial tool, simply return it to the participating seller within 30 days for a full refund. Please return the complete unit, transportation prepaid. Proof of purchase may be required.

FREE WARNING LABEL REPLACEMENT: If your warning labels become illegible or are missing, call 1-800-4-DEWALT for a free replacement.

Introduction

Merci d'avoir acheté un tournevis dynamométrique DEWALT. Le tournevis dynamométrique a été conçu afin de maximiser la productivité; sa commande dynamométrique, sa facilité d'utilisation et sa commodité sans fil en font l'outil idéal pour effectuer presque toutes les tâches de fixation. En outre, son fonctionnement silencieux et sans huile ainsi que sa conception ergonomique en font l'outil idéal pour la plupart des chaînes de montage. Le tournevis dynamométrique offre ses caractéristiques sans les désavantages des outils pneumatiques.

Pour obtenir de plus amples renseignements relatifs à l'outil, composer sans frais le numéro suivant : **1 800 923-8665**



Importantes mesures de sécurité

⚠ AVERTISSEMENT : Afin de réduire les risques d'incendie, de secousses électriques ou de blessures lorsqu'on utilise des outils électriques, il faut toujours respecter les mesures de sécurité suivantes.

LIRE TOUTES LES DIRECTIVES.

- **BIEN DÉGAGER LA SURFACE DE TRAVAIL.** Des surfaces et des établis encombrés peuvent être la cause de blessures.
- **TENIR COMPTE DU MILIEU DE TRAVAIL.** Protéger les outils électriques de la pluie. Ne pas s'en servir dans des endroits humides ou mouillés. Bien éclairer la surface de travail. Ne pas utiliser l'outil en présence de liquides et de gaz inflammables.
- **SE PROTÉGER CONTRE LES SECOUSSES ÉLECTRIQUES.** Éviter tout contact avec des objets mis à la terre, comme des tuyaux, radiateurs, cuisinières, réfrigérateurs et autres objets du genre.
- **ÉLOIGNER LES ENFANTS.** Tous les visiteurs doivent être tenus à l'écart de l'aire de travail et il faut les empêcher de toucher à l'outil ou au cordon de rallonge.
- **RANGER LES OUTILS INUTILISÉS.** Il faut ranger les outils dans un endroit sec, situé en hauteur ou fermé à clé, hors de la portée des enfants.
- **NE JAMAIS FORCER L'OUTIL.** Afin d'obtenir un rendement sûr et efficace, utiliser l'outil à son rendement nominal.
- **UTILISER L'OUTIL APPROPRIÉ.** Ne jamais exiger d'un petit outil ou d'un accessoire le rendement d'un outil de fabrication plus robuste. Se servir de l'outil selon l'usage prévu.
- **PORTER DES VÊTEMENTS APPROPRIÉS.** Éviter de porter des vêtements amples et des bijoux qui peuvent être happés par les pièces en mouvement. Porter des gants de caoutchouc et des chaussures à semelle antidérapante pour travailler à l'extérieur. Protéger la chevelure si elle est longue. Se tenir éloigné des événements puisque ces derniers pourraient camoufler des pièces mobiles.

- **PORTER DES LUNETTES DE SÉCURITÉ.** Porter également un masque respiratoire si le travail de coupe produit de la poussière.
- **ASSUJETTIR LA PIÈCE.** Immobiliser la pièce à l'aide de brides ou d'un étau. On peut alors se servir des deux mains pour faire fonctionner l'outil, ce qui est plus sûr.
- **NE PAS DÉPASSER SA PORTÉE.** Toujours demeurer dans une position stable et garder son équilibre.
- **PRENDRE SOIN DES OUTILS.** Conserver les outils propres et affûtés pour qu'ils donnent un rendement supérieur et sûr. Suivre les directives concernant la lubrification et le remplacement des accessoires. Inspecter régulièrement le cordon de l'outil et le faire réparer au besoin à un atelier d'entretien autorisé. Inspecter régulièrement les cordons de rallonge et les remplacer lorsqu'ils sont endommagés. S'assurer que les poignées sont toujours propres, sèches et libres de toute tache d'huile ou de graisse.
- **ENLEVER LES CLÉS DE RÉGLAGE.** Prendre l'habitude de vérifier si les clés de réglage ont été retirées avant de faire démarrer l'outil.
- **DÉBRANCHER LES OUTILS NON UTILISÉS OU LES VERROUILLER EN POSITION HORS TENSION.** Respecter cette mesure lorsqu'on ne se sert pas de l'outil, ou qu'on doit le réparer ou en changer un accessoire (comme une lame, un foret ou un couteau).
- **ÉVITER LES DÉMARRAGES ACCIDENTELS.** Ne pas laisser le doigt sur l'interrupteur lorsqu'on transporte l'outil. S'assurer que l'interrupteur est à la position hors circuit lorsqu'on branche l'outil.
- **CORDONS DE RALLONGE PRÉVUS POUR L'EXTÉRIEUR.** Lorsque l'outil est utilisé à l'extérieur, ne se servir que d'un cordon de rallonge conçu pour l'extérieur et portant la mention appropriée.
- **DEMEURER VIGILANT.** Travailler avec vigilance et faire preuve de bon sens. Ne pas se servir de l'outil lorsqu'on est fatigué.
- **VÉRIFIER LES PIÈCES ENDOMMAGÉES.** Avant d'utiliser de nouveau l'outil, bien vérifier un protecteur endommagé ou toute autre pièce défectueuse afin de déterminer si elle fonctionnera de façon appropriée et si elle remplira la fonction prévue. Vérifier l'alignement et les attaches des pièces mobiles, le degré d'usure des pièces et leur montage, ainsi que tout autre facteur susceptible de nuire au bon fonctionnement de l'outil. Faire réparer ou remplacer tout protecteur ou toute autre pièce endommagée dans un centre de service autorisé, sauf si le présent guide fait mention d'un avis contraire. Confier le remplacement de tout interrupteur défectueux à un centre de service autorisé. Ne jamais se servir d'un outil dont l'interrupteur est défectueux.
- **⚠ MISE EN GARDE :** Lorsqu'on visse des murs, planchers, plafonds ou autres endroits qui pourraient cacher des fils électriques sous tension, Ne pas toucher aux composants métalliques de l'outil. Saisir celui-ci seulement par ses surfaces de prise isolées afin d'éviter les secousses électriques en cas de contact de la lame avec un fil sous tension.
- **⚠ MISE EN GARDE :** Retirer l'ensemble de piles de l'outil avant de régler le couple de l'outil.
- **⚠ ATTENTION:** Quelques outils avec de grands paquets de batterie se tiendront droits sur le paquet de batterie mais peuvent être facilement frappés plus de. Quand pas en service, placez l'outil de son côté sur une surface stable où il ne causera pas un risque de déclenchement ou en chute.
- **⚠ AVERTISSEMENT :** Certains outils, tels que les sableuses électriques, les scies, les meules, les perceuses ou certains autres outils de construction, peuvent soulever de la poussière contenant des produits chimiques susceptibles d'entraîner le cancer, des malformations congénitales ou pouvant être nocifs pour le système reproductif. Parmi ces produits chimiques, on retrouve :
 - le plomb dans les peintures à base de plomb;
 - la silice cristalline dans les briques et le ciment et autres produits de maçonnerie;
 - l'arsenic et le chrome dans le bois de sciage ayant subi un traitement chimique (CCA).

Le risque associé à de telles expositions peut varier selon la fréquence avec laquelle on effectue ces travaux. Pour réduire l'exposition à de tels produits, il faut travailler dans un endroit bien ventilé et utiliser l'équipement de sécurité approprié tel un masque anti-poussières spécialement conçu pour filtrer les particules microscopiques.

- **Éviter tout contact prolongé avec la poussière soulevée par cet outil ou autres outils électriques. Porter des vêtements de protection et nettoyer les parties exposées du corps avec de l'eau savonneuse.** S'assurer de bien se protéger afin d'éviter d'absorber par la bouche, les yeux ou la peau des produits chimiques nocifs.

Importantes mesures de sécurité - chargeurs

- Le présent guide renferme d'importantes mesures de sécurité et directives de fonctionnement relatives aux modèles n^{os} DW900 et DW901.
- **⚠ MISE EN GARDE :** Afin de minimiser les risques de blessures, charger seulement des piles DeWALT de 12 V, cellule 4/5, ou de 12 V à haute capacité. Tout autre type de piles risque d'exploser et de provoquer des blessures et des dommages.
- Avant d'utiliser le chargeur, lire les directives et les mises en garde qui se trouvent sur (1) le chargeur, (2) l'ensemble de piles et (3) le produit utilisant l'ensemble de piles.
- **⚠ DANGER :** Il y a une tension de 120 volts aux bornes de chargement. Ne pas y approcher des objets conducteurs car cela présente des risques d'électrocution.
- **⚠ DANGER :** Ne pas insérer un ensemble de piles craqué ou endommagé dans le chargeur car cela présente des risques d'électrocution.
- Le chargeur et l'ensemble de piles sont conçus pour fonctionner ensemble. NE PAS tenter de charger un ensemble de piles avec tout autre chargeur que ceux décrits dans le présent guide.
- Protéger le chargeur de la pluie ou de la neige.

- Le chargeur est uniquement conçu pour charger des ensembles de piles rechargeables DeWALT. Toute autre utilisation présente des risques d'électrocution.
- Afin de minimiser les risques de dommages à la fiche et au cordon, tirer sur la fiche (et non sur le cordon) pour débrancher le chargeur.
- S'assurer que personne ne peut marcher ni trébucher sur le cordon, ni le soumettre à toute autre contrainte ni tout autre risque de dommage.
- Utiliser un cordon de rallonge seulement en cas de nécessité absolue. L'utilisation d'un cordon de calibre inapproprié présente des risques d'incendie ou de secousses électriques. Lorsqu'on doit utiliser un cordon de rallonge, s'assurer qu'il est conforme aux directives suivantes.
 - il y a le même nombre de broches sur la fiche du cordon de rallonge que sur celle du chargeur et les broches sont de mêmes dimensions et de mêmes formes.
 - Le cordon de rallonge comporte le nombre approprié de fils et il est en bon état.
 - Le cordon est de calibre suffisant pour le rendement nominal du chargeur comme l'indique le tableau suivant.

Calibre minimal recommandé (AWG - jauge américaine des fils) pour les cordons de rallonge

Longueur totale du cordon (en pieds)	25	50	75	100	125	150	175
Calibre de fil	18	18	16	16	14	14	12

- Il y a des orifices de ventilation sur le dessus et le dessous du boîtier du chargeur. Ne rien déposer sur les orifices du dessus ni placer le chargeur sur une surface molle qui pourrait bloquer les orifices de ventilation et provoquer une surchauffe à l'intérieur du chargeur. Toujours placer celui-ci loin de toute source de chaleur.
- Ne pas utiliser un chargeur dont la fiche ou le cordon est endommagé; les remplacer sans tarder.
- Ne pas utiliser un chargeur qui a reçu un coup brusque, qui est tombé ou qui a été endommagé; en confier la réparation à un centre de service autorisé.

- Ne pas démonter le chargeur; en confier l'entretien et les réparations à un centre de service autorisé. Le remontage incorrect présente des risques de secousses électriques ou d'incendie.
- Afin de minimiser les risques de secousses électriques, débrancher le chargeur de la prise avant de le nettoyer. Le seul retrait de l'ensembles de piles ne réduit pas le risque.
- NE JAMAIS tenter de relier deux chargeurs.
- NE PAS ranger ni utiliser l'outil et l'ensemble de piles dans un endroit où la température peut atteindre ou dépasser 40 °C (105 °F), comme dans une remise métallique en été.
- Le chargeur est conçu pour fonctionner sous tension secteur standard (120 volts). Ne pas tenter de s'en servir sous toute autre tension.
- ⚠ AVERTISSEMENT : Ne laisser aucun liquide s'infiltrer dans le chargeur. Cela présente des risques de secousses électriques. Afin de faciliter le refroidissement de l'ensemble de piles après s'en être servi, éviter de placer le chargeur ou l'ensemble de piles dans un endroit chaud (comme dans une remise métallique ou une remorque non isolée, en été).
- ⚠ MISE EN GARDE : Ne pas tenter d'ouvrir l'ensemble de piles, peu importe la raison. Lorsque le boîtier en plastique de l'ensemble se fend ou se casse, en confier le recyclage à un centre de service.

Importantes mesures de sécurité - ensembles de piles

L'ensemble de piles n'est pas complètement chargé à sa sortie de l'usine. Bien lire les mesures de sécurité qui suivent ainsi que les notes relatives au chargement.

LIRE TOUTES LES DIRECTIVES.

- Ne pas incinérer l'ensemble de piles, même s'il est très endommagé ou complètement usé. La chaleur des flammes peut faire exploser l'ensemble de piles.

- Il peut se produire une légère fuite du liquide excitateur de l'ensemble de piles dans des conditions d'utilisation difficiles ou en cas de température extrême, fuite qui ne serait pas nécessairement un signe de panne. Toutefois, si ce liquide s'échappe par une rupture du joint étanche du boîtier et atteint la peau, il faut :
 - a. laver immédiatement à l'eau et au savon;
 - b. neutraliser à l'aide d'un acide doux (jus de citron ou vinaigre, p. ex.);
 - c. si le liquide excitateur atteint les yeux, il faut rincer à l'eau claire pendant au moins dix minutes et consulter immédiatement un médecin. (AVIS AU MÉDECIN : Le liquide excitateur est une solution d'hydrogène de potassium à 25-35 p. 100.)
- Ne pas tenter d'ouvrir l'ensemble de piles, peu importe la raison. Lorsque le boîtier en plastique de l'ensemble se fend ou se casse, ne plus l'utiliser ni le recharger.
- Ne pas transporter des ensembles de piles de rechange dans des tabliers, des poches ou des boîtes à outils qui renferment d'autres objets métalliques. Cela présente des risques de court-circuit aux ensembles, ce qui risque de les endommager et, éventuellement, de causer d'importantes brûlures ou un incendie.
- Charger les ensembles de piles uniquement dans un chargeur D_EWALT.

NOTE : Les piles de l'ensemble comportent du nickel-cadmium. Selon les organismes de protection de l'environnement, il s'agit d'une matière toxique. Avant de se débarrasser d'un ensemble de piles endommagé ou usé, se renseigner afin de connaître les règlements en vigueur relatifs à la mise au rebut d'ensembles de piles ou en confier le recyclage à un centre de service D_EWALT.

REMARQUE : un capuchon est fourni avec la pile en vue d'être utilisé chaque fois qu'on retire cette dernière de l'outil ou du chargeur en vue de la ranger ou de la transporter; enlever le capuchon avant de remettre la pile dans le chargeur ou dans l'outil.

⚠ **AVERTISSEMENT** : s'assurer, au moment de ranger ou de



transporter la pile, qu'aucun objet métallique n'entre en contact avec les bornes à découvert de la pile. Par exemple, il faut éviter de placer une pile sans capuchon dans un tablier, une poche, une boîte à outils ou un tiroir (etc.) contenant des objets tels que des clous, des vis ou des clés, car la pile pourrait causer un court-circuit et s'endommager, ou risquer de provoquer des brûlures ou un incendie.

CONSERVER CES MESURES.

Fiche technique

MODELE	DW900	DW901
Régime (trs/min)	850	1 400
Dimensions	222 mm sur 222 mm (8 3/4 po x 8 3/4 po)	222 mm sur 222 mm (8 3/4 po x 8 3/4 po)
Poids (outil seul.)	1,18 kg (2,6 lb)	1,18 kg (2,6 lb)
Poids (avec pile)	1,73 kg (3,8 lb)	1,73 kg (3,8 lb)

ENSEMBLES DE PILES

DW9072 12 V, cellule 4/5, capacité standard0,55 kg (1,2 lb)
DW9074 12 V, cellule 4/5, capacité standard avec indicateur de l'état de la charge0,59 kg (1,3 lb)
DW9070 12 V, ensemble XR ^{mc} à haute capacité0,64 kg (1,4 lb)

Fonctionnement

RETRAIT ET INSTALLATION DE L'ENSEMBLE DE PILES

Pour installer l'ensemble de piles, aligner la base de l'ensemble sur l'encoche dans la poignée de l'outil et faire glisser l'ensemble fermement dans la poignée. L'ensemble s'enclenche en place. Pour retirer l'ensemble de piles, enfoncer les boutons de dégagement et tirer fermement l'ensemble hors de la poignée.

MANDRIN À DÉGAGEMENT RAPIDE

NOTE : Le mandrin accepte seulement des accessoires à tige

hexagonale de 6 mm (1/4 po).

Pour installer un accessoire, tirer la bague du mandrin vers le devant de l'outil, insérer l'accessoire et relâcher la bague (fig. 1). L'accessoire se verrouille en place.

Pour retirer un accessoire, tirer la bague du mandrin vers le devant de l'outil. Retirer l'accessoire et relâcher la bague.

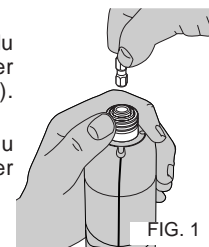


FIG. 1

INVERSEUR DE MARCHÉ


Pour utiliser la marche avant, pousser la barre de la droite vers la gauche. Pour obtenir la marche arrière, pousser la barre de la gauche vers la droite. La position centrale permet de verrouiller la barre en position hors tension. Ne pas oublier de relâcher la détente avant de modifier la position de l'inverseur de marche.

INTERRUPTEUR

Pour mettre l'outil en marche, enfoncer la détente de l'interrupteur. Lorsque l'outil atteint le couple établi, l'arbre cesse de tourner et la D.É.L. s'allume à l'arrière de l'outil. Ne pas enfoncer et relâcher continuellement la détente lors du serrage d'un joint; laisser l'outil s'arrêter automatiquement.

Réglage du couple

⚠ AVERTISSEMENT : Retirer l'ensemble de piles avant de régler l'outil.

- 1) Insérer une clé hexagonale de 1/4 po autour de l'arbre et la faire tourner sur un tour. On peut entendre un déclic indiquant que le couple est exercé sur l'embrayage.
- 2) Insérer l'outil de réglage dans les deux trous de l'anneau à l'avant du tournevis. Bien installer l'outil de réglage de la façon illustrée à la figure 2. Faire tourner lentement l'anneau jusqu'à ce que le symbole  apparaisse dans le verre à l'avant sur le

- dessus du tournevis. L'outil de réglage glisse alors dans les deux encoches de réglage juste sous l'anneau à l'avant. On ne peut plus faire tourner l'anneau lorsque l'outil de réglage est enclenché dans les encoches.
- Retirer l'outil de réglage du devant du tournevis et le réinsérer de la façon illustrée à la figure 3. **NOTE** : Enlever l'outil de réglage avant de se servir du tournevis.
 - Insérer une clé hexagonale de 1/4 po autour de l'arbre. Saisir le tournevis et l'outil de réglage d'une main et, de l'autre, faire tourner la clé hexagonale (fig. 4). Faire tourner la clé dans le sens antihoraire pour diminuer le couple et, dans le sens horaire, pour l'augmenter. L'arbre émet un déclic à chaque réglage de couple. Chaque déclic correspond à une modification équivalent à environ 0,08 N-m. **NOTE** : Lorsque l'arbre n'émet plus de déclic et qu'on ressent une certaine résistance, on a atteint le couple limite. Ne pas forcer l'outil au-delà de cette limite.
 - Retirer l'outil de réglage. Vérifier le couple du tournevis à l'aide d'un couplemètre. Régler, le cas échéant, le couple à la hausse ou à la baisse conformément aux directives précédentes.

Le tournevis peut exercer un couple maximal d'environ 4,5 N-m et un couple minimal d'environ 1,5 N-m.

Réglage de l'anneau indicateur

Lorsqu'on a mesuré le couple voulu à l'aide du couplemètre, se servir de l'outil de réglage pour régler l'anneau indicateur. Placer l'outil de réglage à environ 6 mm (1/4 po) dans les trous de l'anneau à l'avant et faire tourner ce dernier jusqu'à ce que les chiffres de l'anneau correspondent au couple indiqué par le couplemètre. (fig. 5). **Le réglage de l'anneau indicateur scelle également les trous de réglage et empêche la poussière de s'infiltrer dans l'outil.**

NOTE : Le réglage de l'anneau indicateur ne modifie pas le réglage du couple de l'outil.

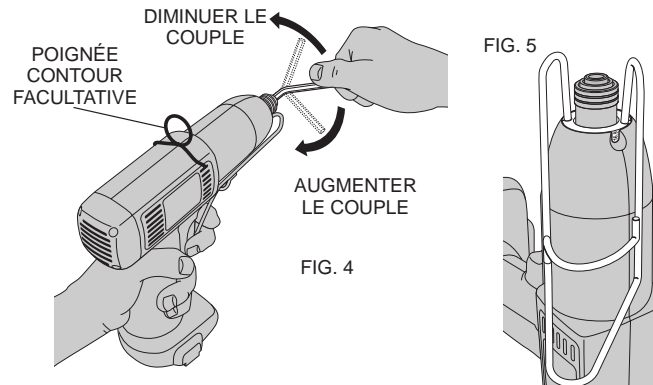
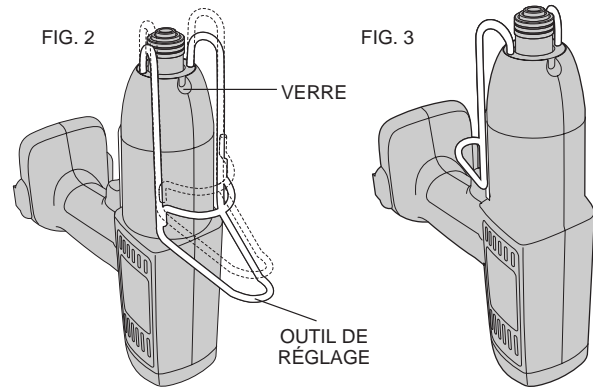


FIG. 5A

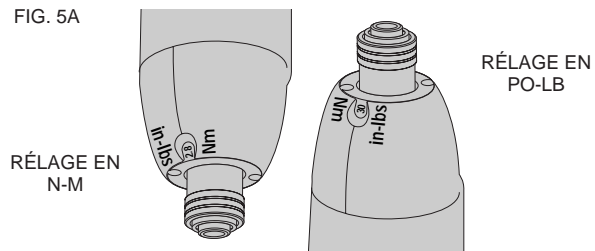


FIG. 6

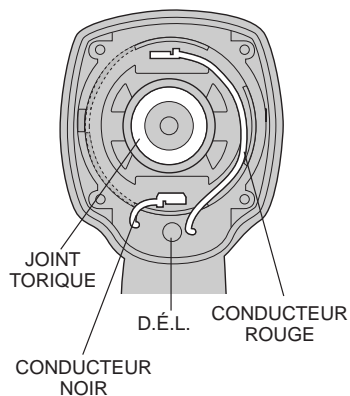
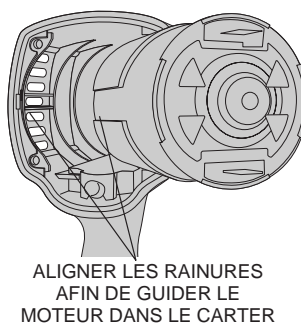


FIG. 7

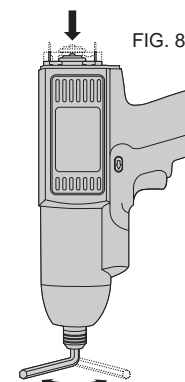


Remplacement de la cartouche du moteur

⚠ AVERTISSEMENT : Retirer l'ensemble de piles avant d'effectuer tout entretien.

NOTE : Afin de ne pas endommager le module électronique, il faut effectuer cette tâche tout en portant une bande de mise à la terre reliée au sol.

- 1) Enlever les quatre attaches qui se trouvent à l'arrière de l'outil. Retirer l'embout.
- 2) Enlever le joint torique de caoutchouc du moteur (fig. 6).
- 3) À l'aide de pinces, retirer les conducteurs du moteur en prenant note de leur couleur et du schéma de connexion (fig. 6).
- 4) Saisir le moteur et le tirer hors de l'arrière de l'outil. Mettre le moteur au rebut.
- 5) Installer un joint torique sur le nouveau moteur.
- 6) Aligner le moteur de rechange sur le carter (fig. 7). La rainure créée par la bague en tôle sur le moteur devrait être alignée sur les nervures à l'intérieur du boîtier gauche (lorsqu'on regarde de l'arrière de l'outil).
- 7) Tout en tenant l'outil avec l'extrémité ouverte vers le haut, faire glisser le moteur dans l'outil.
- 8) Insérer une clé hexagonale de 1/4 po autour de l'arbre et faire tourner celui-ci jusqu'à ce que les dents de la roue sur le moteur s'engagent dans celles de l'outil. Le moteur s'enfonce d'environ 6 mm (1/4 po) dans le boîtier de l'outil (fig. 8).
- 9) S'assurer que les conducteurs ne sont



pas endommagés; les réparer ou les remplacer, le cas échéant.

- 10) Rattacher les conducteurs du moteur, en faisant passer les fils autour du moteur. Les fils doivent passer par le bas et vers l'intérieur près de la D.É.L. S'assurer que les fils ne bloquent pas la D.É.L.
- 11) Remettre l'embout en place et serrer les quatre attaches en exerçant un couple de 0,9 N-m sur leur tête.

CONSEILS RELATIFS AU FONCTIONNEMENT

- Lorsqu'on enfonce une fois la détente, on consomme l'énergie nécessaire pour enfoncez une attache. Il faut donc éviter d'utiliser l'outil sous vide afin de préserver l'énergie de l'ensemble de piles.
- Éviter de jouer avec la détente. Laisser l'outil s'arrêter automatiquement après avoir enfoncé une attache.

Accessoires

⚠ **MISE EN GARDE** : L'utilisation d'accessoires non recommandés peut être dangereuse. On peut se procurer séparément les accessoires recommandés pour l'outil chez les détaillants et au centre de service de la région.

ENSEMBLES DE PILES

DW9072	12 V, cellule 4/5, capacité standard
DW9074	12 V, cellule 4/5, capacité standard avec indicateur de l'état de la charge
DW9070	12 V, ensemble XR ^{mc} à haute capacité

CHARGEURS

DW9106	Chargeur en 1 heure
DW9115	Chargeur en 15 minutes
DW9107	Chargeur XR2

Important

Pour assurer la SÉCURITÉ D'EMPLOI et la FIABILITÉ de l'outil, n'en confier la réparation, l'entretien et les rajustements (y compris l'inspection et le remplacement des balais) qu'à un centre de service ou à un atelier d'entretien autorisé n'utilisant que des pièces de rechange identiques.

Garantie complète

Les outils industriels de service intensif DEWALT sont garantis pendant un an à partir de la date d'achat. Toute pièce d'un outil DEWALT qui s'avérerait défectueuse en raison d'un vice de matière ou de fabrication sera réparée sans frais. Pour obtenir de plus amples renseignements sur les réparations couvertes para garantie, composer le 1 (800)4-DEWALT. Il suffit de retourner l'outil complet à un centre de service DEWALT. La présente garantie ne couvre pas les accessoires ni les avaries dues aux réparations tentées ou effectuées par des tiers. Les modalités de la présente garantie donnet des droits légaux spécifiques. L'utilisateur peut également se prévaloir d'autres droits selon l'état ou la province qu'il habite.

En outre, la garantie suivante couvre les outils DEWALT.

GARANTIE DE SATISFACTION DE 30 JOURS OU ARGENT REMIS

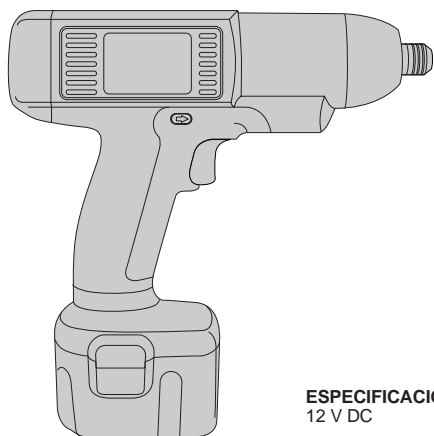
Si, pour quelque raison que ce soit, l'outil ne donne pas entière satisfaction, il suffit de le retourner où il a été acheté dans les 30 jours suivant la date d'achat afin d'obtenir un remboursement intégral. Prière de retourner l'outil complet port payé. Une preuve d'achat peut être requise.

REPLACEMENT GRATUIT DE L'ÉTIQUETTE

Si vos étiquettes d'avertissement deviennent illisibles ou sont manquantes, composez le 1-800-4-DEWALT pour obtenir une étiquette de remplacement gratuite.

INTRODUCCION

Gracias por comprar el destornillador con par de precisión DeWALT. Se ha diseñado el destornillador con par de precisión para obtener la máxima productividad: su control de par preciso, su sencillez de operación y la conveniencia inalámbrica lo hacen ideal para casi cualquier tarea de atornillado. Su operación silenciosa, libre de aceite y su diseño mejorado ergonómicamente lo hacen ideal para casi cualquier trabajador de las líneas. El destornillador con par de precisión proporciona estos beneficios sin los inconvenientes de las herramientas neumáticas.



ESPECIFICACIONES
12 V DC

Instrucciones importantes de seguridad

⚠ **ADVERTENCIA:** Siempre que utilice herramientas eléctricas debe seguir ciertas precauciones básicas de seguridad, a fin de reducir los riesgos de incendio, choque eléctrico y lesiones personales, entre las que se encuentran las siguientes.

LEA TODAS LAS INSTRUCCIONES

- **CONSERVE LIMPIA EL AREA DE TRABAJO.** Las áreas y los bancos con objetos acumulados en desorden propician los accidentes.
- **OTORGUE PRIORIDAD AL AMBIENTE DE TRABAJO.** No exponga las herramientas eléctricas a la lluvia ni las utilice en lugares húmedos o inundados. Ilumine bien la zona de trabajo. No utilice las herramientas eléctricas en presencia de líquidos o gases inflamables.
- **PROTEJASE CONTRA EL CHOQUE ELECTRICO.** Evite el contacto corporal con superficies aterrizadas, por ejemplo; tuberías, radiadores, hornos o gabinetes de refrigeración.
- **CONSERVE APARTADOS A LOS NIÑOS.** No permita que niños ni otros visitantes toquen la herramienta ni los cables de extensión. Todos los niños y otros visitantes deben apartarse del área de trabajo.
- **GUARDE LAS HERRAMIENTAS QUE NO EMPLEE.** Siempre que no use las herramientas, debe guardarlas en un lugar seco y elevado o bajo llave, fuera del alcance de los niños.
- **NO FUERCE LA HERRAMIENTA.** Esta hará el trabajo mejor y de manera más segura bajo las especificaciones para las que se diseñó.
- **EMPLEE LA HERRAMIENTA ADECUADA.** No fuerce a una herramienta pequeña o a sus dispositivos de montaje en una tarea destinada a una herramienta de alto rendimiento. No utilice la herramienta para tareas para las que no ha sido diseñada.
- **VISTASE DE MANERA ADECUADA.** No utilice ropas sueltas ni joyas, pueden quedar atrapadas en las partes móviles. Se recomienda el uso de guantes y calzado antiderrapante cuando

trabaje a la intemperie. Cúbrase el cabello si lo tiene largo. Las rejillas de ventilación cubren partes móviles y también deben evitarse.

- **UTILICE GAFAS Y OTRO EQUIPO DE SEGURIDAD.** Utilice una mascarilla contra polvo si la operación de corte lo produce.
- **ASEGURE LAS PIEZAS DE TRABAJO.** Utilice prensas para sujetar su pieza de trabajo; es más seguro que usar su mano y le deja ambas manos libres para operar la herramienta.
- **NO SE SOBRE EXTIENDA.** Apoye bien los pies y conserve el equilibrio siempre.
- **CUIDE SUS HERRAMIENTAS.** Conserve sus herramientas limpias y afiladas para un rendimiento mejor y más seguro. Siga las instrucciones de lubricación y cambio de accesorios. Revise la herramienta periódicamente y si está dañada, hágala reparar por una estación de servicio autorizada. Revise los cables de extensión periódicamente y reemplácelos si están dañados. Conserve las empuñaduras secas, limpias y libres de aceite y grasa.
- **QUITE LAS LLAVES DE AJUSTE Y LAS HERRAMIENTAS DE MANO.** Acostúmbrase a verificar que se hayan retirado todas las llaves antes de encender la unidad.
- **DESCONECTE LAS HERRAMIENTAS O ASEGURELAS EN POSICION DE APAGADO** cuando no las utilice, cuando las cambie de lugar, antes de darles servicio y cuando les cambie accesorios (como brocas, puntas, cortadores).
- **EVITE EL ENCENDIDO ACCIDENTAL.** No acarree la herramienta con el dedo en el interruptor.
- **ESTE ALERTA.** Concéntrese en lo que hace. Utilice el sentido común. No opere la herramienta si está cansado.
- **REVISE LAS PARTES DAÑADAS.** Antes de seguir usando la herramienta, debe revisar las guardas y otras partes para determinar realizarán su función adecuadamente. Revise la alineación de las partes móviles, la manera en que están sujetas, que no haya piezas o soportes rotos, y cualesquiera otras condiciones que puedan afectar la operación. Una guarda u otra

pieza que esté dañada debe ser reparada o reemplazada en un centro de servicio autorizado. No use la herramienta si el interruptor no enciende y apaga.

- **⚠ PRECAUCION:** Cuando atornille en muros, pisos o dondequiera que pueda encontrarse con cables eléctricos vivos, **¡NO TOQUE NINGUNA PARTE METALICA DE LA HERRAMIENTA!** Sujétela solamente por las superficies aislantes para evitar el choque eléctrico si atornilla en un cable vivo.
- **⚠ PRECAUCION:** Quite la batería antes de ajustar la posición de par de la herramienta.

⚠ PRECAUCIÓN: Algunas herramientas con los paquetes grandes de la batería estarán paradas verticales en el paquete de la batería pero se pueden golpear fácilmente encima. Cuando no en uso, coloque la herramienta en su cara en una superficie estable donde no causará un peligro que dispara o descendente.

⚠ ADVERTENCIA : Parte del polvo creado al lijar, aserruchar, moler o perforar con máquina, así como al realizar otras actividades de la construcción, contiene sustancias químicas que se sabe producen cáncer, defectos congénitos u otras afecciones reproductivas. Algunos ejemplos de esas sustancias químicas son:

- plomo de pinturas a base de plomo,
- sílice cristalizado de ladrillos y cemento y otros productos de albañilería, y
- arsénico y cromo de la madera químicamente tratada (CCA).

El riesgo al contacto con estas sustancias varía, según la frecuencia en que se haga este tipo de trabajo. Para reducir la exposición a esas sustancias químicas: trabaje en un área bien ventilada, y trabaje con equipos de seguridad aprobados, tales como máscaras contra el polvo especialmente diseñadas para filtrar las partículas microscópicas.

- **Evite el contacto prolongado con polvos originados por lijar, aserrar, esmerilar, taladrar y otras actividades constructivas. Vista ropas protectoras y lave las áreas expuestas con agua y jabón.** Permitir que el polvo se introduzca en su boca, ojos, o dejarlo sobre la piel promueve la absorción de químicos dañinos.

CONSERVE ESTAS INSTRUCCIONES

Instrucciones importantes de seguridad para cargadores de baterías

- Este manual contiene instrucciones importantes de seguridad y de operación para el DW900/DW901.
- **⚠ PRECAUCIÓN:** Para reducir el riesgo de lesiones, cargue únicamente baterías del tipo DEWALT de 12,0 V 4/5 celdas o 12,0 V de alta capacidad. Otros tipos de baterías pueden estallar, ocasionando lesiones personales y daños.
- Antes de utilizar el cargador de baterías, lea todas las instrucciones y las marcas precautorias en (1) el cargador, (2) la batería y (3) el producto que usa la batería.
- **⚠ PELIGRO:** Tensión de 120 V presente en las terminales de carga. No las una con objetos conductores. Peligro de choque eléctrico o electrocución.
- **⚠ PELIGRO:** Si la caja de la batería se cuartea o se daña, no la inserte en el cargador. Peligro de choque eléctrico o electrocución.
- El cargador y la batería están especialmente diseñados para trabajar juntos. NO intente cargar la batería con cargadores diferentes a los señalados en este manual.
- No exponga el cargador a lluvia o nieve.
- Estos cargadores no están diseñados para usos distintos a la carga de baterías recargables DEWALT. Cualesquiera otros usos pueden originar riesgos de incendio, choque eléctrico o electrocución.
- Para reducir el riesgo de daños a la clavija o al cable, tire de la clavija en vez de tirar del cable cuando desconecte el cargador.
- Asegúrese que el cable se ubique de manera que no se pise, se enrolle, o se sujete a otro tipo de tensiones o daños.
- No deben emplearse cables de extensión a menos que sea absolutamente indispensable. El empleo de una extensión

incorrecta puede resultar en riesgos de incendio, choque eléctrico o electrocución. Si se requiere utilizar un cable de extensión, asegúrese:

- Que las patas de la clavija de la extensión tienen los mismos número, tamaño y forma de las de la clavija del cargador.
- Que las conexiones de la extensión sean correctas y estén en buenas condiciones eléctricas; y
- Que el alambre tenga el calibre suficiente para soportar la corriente necesaria para el cargador, como se indica a continuación.

Calibre AWG mínimo recomendado para cordones de extensión.

Longitud total de la extensión (metros)	7,6	15,2	22,8	30,4	38,1	45,7	53,3
Calibre del alambre	18	18	16	16	14	14	12

- El cargador se ventila a través de las ranuras de las partes superior e inferior de la carcasa. No coloque ningún objeto sobre el cargador, ni coloque el cargador sobre una superficie suave que pueda bloquear las ranuras de ventilación y ocasione calor interno excesivo. Coloque el cargador alejado de cualquier fuente de calor.
- No opere el cargador con el cordón o la clavija dañados — hágalos cambiar de inmediato.
- No utilice el cargador si ha recibido algún golpe, se ha caído o ha recibido algún otro daño, llévelo a un Centro de Servicio autorizado.
- No desarme el cargador, llévelo a un centro de servicio autorizado cuando requiera ser reparado. Ensamblarlo de modo incorrecto puede ocasionar descargas eléctricas, electrocución o incendios.
- Desconecte el cargador antes de intentar limpiarlo para reducir el riesgo de descargas eléctricas. Retirar la batería no reducirá este riesgo.
- NUNCA intente conectar 2 cargadores juntos.
- NO guarde ni utilice la herramienta o la batería en lugares en los

que la temperatura pueda alcanzar o exceder los 40°C (105°F) (tales como cobertizos o construcciones de metal en el verano).

- El cargador está diseñado para funcionar con corriente doméstica estándar (120 volts). ¡No intente usarlo con otro voltaje!
- ⚠ **ADVERTENCIA:** No permita que ningún líquido se introduzca en el cargador. Puede ocurrir un choque eléctrico. Para facilitar el enfriamiento de la batería después del uso, evite colocar el cargador o la batería en ambientes calurosos, como cobertizos de metal o remolques sin aislamiento.
- ⚠ **PRECAUCION:** Nunca intente abrir la batería por ningún motivo. Si la carcasa de plástico de la batería se rompe o estalla, llévela a un centro de servicio para que la reciclen.

Instrucciones importantes de seguridad para las baterías

La batería no está completamente cargada al salir de su empaque. Lea las instrucciones de seguridad que vienen a continuación y siga las notas y los procedimientos sobre la carga.

LEA TODAS LAS INSTRUCCIONES

- No incinere las baterías, aún en el caso que se encuentren seriamente dañadas o completamente desgastadas, pueden explotar con el fuego.
- Puede ocurrir una pequeña fuga de líquido de las celdas de la batería bajo condiciones extremas de uso, carga o temperatura. Esto no indica fallas, sin embargo, si el sello externo está roto y el líquido hace contacto con su piel:
 - a. Lave inmediatamente con agua y jabón.
 - b. Neutralice con un ácido débil como jugo de limón o vinagre.
 - c. Si el líquido de la batería toca sus ojos, enjuáguelos con agua limpia por un mínimo de 10 minutos y busque inmediatamente atención médica. **NOTA MEDICA:** el líquido es una solución de potasa cáustica en concentración de 25 a 35%.
- Nunca intente abrir la batería por ningún motivo. Si la cubierta de

la batería se rompe o estalla, descártela de inmediato y no la recargue.

- No lleve la baterías de reserva en delantales, bolsillos, cajas de herramienta, cajones, etc., junto con otros objetos metálicos. La batería puede hacer corto circuito, ocasionando riesgo de incendio o quemaduras, o daños.
- Cargue las baterías solamente con el cargador de baterías D_EWALT.

NOTA: Sus baterías son del tipo níquel-cadmio. El cadmio es considerado como material tóxico por la Agencia de protección Ambiental de los Estados Unidos. Antes de desechar una batería de níquel-cadmio dañada o desgastada, verifique con las autoridades ambientales locales las restricciones especiales para el desecho de este tipo de baterías o regréselas a un centro de servicio certificado de D_EWALT para que las reciclen.

NOTA: los capuchones para transporte y almacenaje de las baterías se proporcionan para usarse siempre que la batería esté fuera de la herramienta o del cargador. Retire el capuchón antes de colocar la batería en la herramienta o en el cargador.

⚠ **ADVERTENCIA:** No guarde o transporte la batería de manera que objetos metálicos puedan hacer contacto con las terminales expuestas de la batería. Por ejemplo, no ponga la batería en delantales, bolsillos, cajas de herramientas, estuches de productos, cajones, etc. junto con clavos, tornillos, llaves, etc. sin el capuchón. La batería puede hacer corto cuando no tenga puesto el capuchón, ocasionando incendios o quemaduras, o daños a sí misma.

Especificaciones del producto

Herramienta	DW900	DW901
RPM:	850	1400
Dimensiones	22,2 cm x 22,2 cm	22,2 cm x 22,2 cm
Peso: (Sólo herramienta)	1,17 kg	1,17 kg
Peso: (Con batería)	1,72 kg	1,72 kg

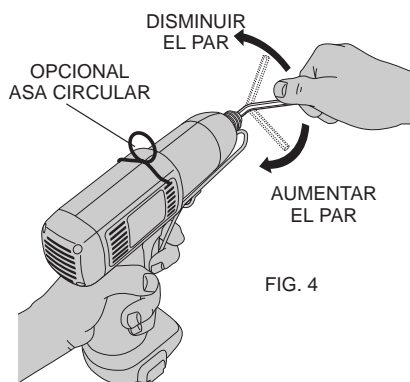
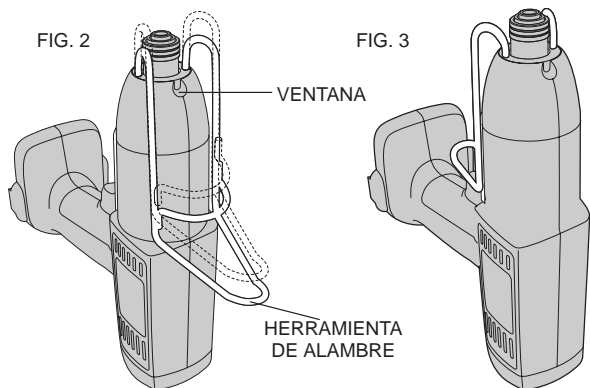


FIG. 4

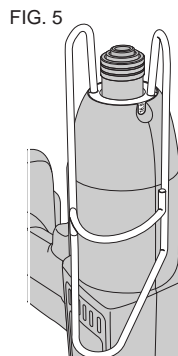


FIG. 5

BATERIAS

DW9072 12,0 V 4/5 celdas, capacidad estándar	0,54 kg
DW9074 12,0 V 4/5 celdas, capacidad estándar con indicador de estado de carga	0,58 kg
DW9070 12,0 XR™Pack alta capacidad	0,63 kg

Operacion**REMOCION E INSTALACION DE LA BATERIA**

Para instalar la batería, haga coincidir la base de ésta con la ranura del interior del mango de la herramienta y deslice la batería firmemente dentro del mango. La batería se ajustará en su sitio. Para quitar la batería, oprima los botones de liberación y tire de la batería con firmeza hacia afuera del mango de la herramienta.

PORTAHERRAMIENTA DE LIBERACION RAPIDA

NOTA: el portaherramienta solamente acepta accesorios hexagonales de 6,3 mm (1/4").

Para instalar un accesorio, tire del collarín del portaherramientas hacia el frente de la herramienta, inserte el accesorio, y libere el collarín (figura 1). El accesorio se asegurará en su sitio.

Para sacar un accesorio, tire del collarín del portaherramientas hacia el frente de la herramienta. Saque el accesorio y suelte el collarín.

BARRA DE MARCHA HACIA ADELANTE/REVERSA

Para operación hacia adelante, empuje la barra de derecha a izquierda. Para operación en reversa, empuje la barra de izquierda a derecha. La posición central de la barra asegura en modo de apagado a la herramienta. Asegúrese de soltar el gatillo cuando cambie la posición de la barra de dirección de marcha.

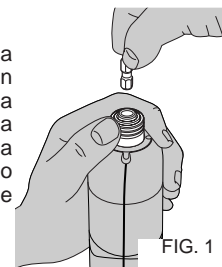
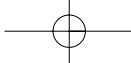


FIG. 1



INTERRUPTOR

Para encender la herramienta, oprima el gatillo interruptor. Cuando la herramienta alcance el nivel preestablecido de par, la flecha se detendrá y el LED de la parte trasera de la unidad se iluminará. No oprima y suelte el gatillo de manera continua cuando atornille una unión; permita que la herramienta se detenga automáticamente.

Ajuste del nivel de par

⚠ **ADVERTENCIA:** Quite la batería antes de efectuar cualquier ajuste.

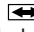
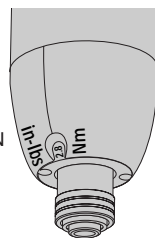
- 1) Introduzca una llave allen de 1/4" en la flecha y gírela una vuelta completa. Puede escucharse un chasquido, indicando el acoplamiento del embrague.
- 2) Inserte la herramienta de alambre en los dos orificios del anillo frontal de la unidad. Asegúrese de colocar la herramienta de alambre como se observa en la figura 2. Gire el anillo lentamente hasta que el símbolo  se vea a través de la ventana que se encuentra al frente de la herramienta, en la parte superior. En este momento, la herramienta de alambre caerá en dos ranuras de ajuste debajo del anillo frontal. Usted no podrá girar el anillo después que la herramienta de alambre haya caído en las ranuras.
- 3) Retire la herramienta de alambre del frente de la unidad y reinsértela como se muestra en la figura 3. **NOTA:** Retire la herramienta de alambre antes de operar la unidad.
- 4) Inserte una llave allen de 1/4" en la flecha. Sujetando la unidad y la herramienta de alambre en una mano, gire la llave allen con la otra mano (figura 4). Gire la llave en sentido contrario a las manecillas del reloj para disminuir el par, y en el sentido de las manecillas del reloj para aumentarlo. La flecha producirá un chasquido en cada posición de par. Cada chasquido equivale a un cambio aproximado de 0,08 N-m en el par. **NOTA:** si la flecha deja de emitir chasquidos y usted siente resistencia significativa, la herramienta está en su límite de par. No fuerce la herramienta

FIG. 5A

POSICION
PARA Nm



POSICION
PARA in-lbs

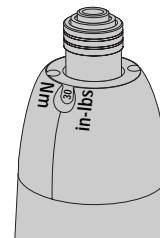


FIG. 6

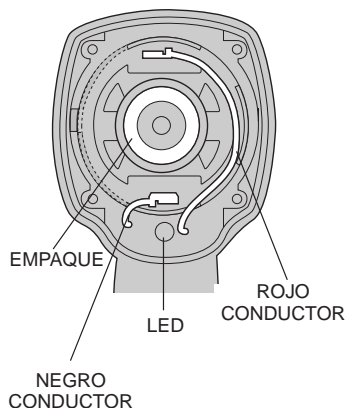
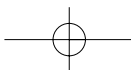


FIG. 7



más allá de este punto.

- 5) Quite la herramienta de alambre. Revise el par de la unidad con un torquímetro. En caso necesario, reajuste el par hacia arriba o hacia abajo, siguiendo las instrucciones anteriores.

Esta herramienta puede lograr un par máximo de aproximadamente 4,5 N-m y un par mínimo de 1,5 N-m.

Ajuste del anillo indicador

Una vez que haya confirmado el par de la herramienta con un torquímetro, utilice la herramienta de alambre para ajustar el anillo indicador. Coloque la herramienta de alambre aproximadamente a 6 mm dentro de los orificios del anillo frontal y gírelo hasta que los números concuerden con el par indicado por el torquímetro. (figura 5). **Al ajustar el anillo indicador también se sellarán los orificios de ajuste y se evitará que la mugre penetre en la herramienta.**

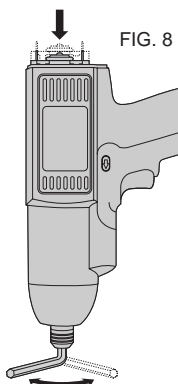
NOTA: Al ajustar el anillo indicador no se cambia el ajuste de par de la herramienta.

Reemplazo del cartucho del motor

⚠ ADVERTENCIA: Quite la batería antes de efectuar cualquier servicio.

NOTA: para evitar daños al módulo electrónico, esta operación debe efectuarse utilizando una banda de tierra derivada a tierra física.

- 1) Retire los cuatro tornillos de la parte trasera de la herramienta; quite la tapa.
- 2) Quite el empaque de goma del motor (figura 6).
- 3) Con unas pinzas, quite los conductores del motor, tomando nota



- del código de colores y el esquema de conexión (figura 6).
- 4) Sujete el motor y tire de éste hacia afuera desde la parte trasera de la unidad. Descarte el motor.
- 5) Instale el empaque en el motor de repuesto.
- 6) Alinee el motor de repuesto con la carcasa (figura 7). El canal formado por el anillo metálico sobre el motor debe alinearse con las costillas del interior de la carcasa izquierda (vista desde la parte trasera de la herramienta).
- 7) Sujetando la herramienta con el extremo abierto hacia arriba, permita caer al motor dentro de ésta.
- 8) Inserte la llave allen de 1/4" en la flecha y gírela hasta que los dientes de engrane en el motor se enganchen con los engranes de la herramienta. El motor caerá aproximadamente 6 mm dentro de la carcasa (figura 8).
- 9) Inspeccione todos los conductores en busca de daños; repare o reemplace en caso necesario.
- 10) Instale de nuevo los conductores del motor, enrutando los cables alrededor del cilindro del motor. Los cables deben enrutarse hacia abajo y hacia adentro, cerca del LED. Asegúrese que los cables no bloqueen el LED.
- 11) Coloque de nuevo la tapa, apriete los cuatro tornillos a un par de 0,9 N-m.

Recomendaciones de operación

- Oprimir el gatillo una vez utiliza más o menos la misma carga de la batería que colocar un tornillo. Evite hacer funcionar la herramienta "sin carga" para conservar la carga de la batería.
- Evite oprimir y soltar el gatillo repetidamente. permita que la herramienta se detenga automáticamente cuando coloque un tornillo.

Accesorios

Dispone usted de los accesorios recomendados para su herramienta con cargo adicional con su distribuidor local o en los centros de servicio autorizado. Si necesita usted ayuda para encontrar algún accesorio, haga por favor contacto con:

⚠ PRECAUCION: El uso de cualquier accesorio no recomendado para emplearse con esta herramienta puede ser peligroso.

BATERIAS

DW9072	12,0 V 4/5 celdas, capacidad estándar
DW9074	12,0 V 4/5 celdas, capacidad estándar con indicador de estado de carga
DW9070	12,0 XR™ Pack alta capacidad

CARGADORES

DW9106	Cargador de 1 hora
DW9115	Cargador de 15 minutos
DW9107	Cargador XR2

Importante

Para garantizar la SEGURIDAD y la CONFIABILIDAD, deberán hacerse reparaciones, mantenimiento y ajustes de esta herramienta en los centros de servicio para herramientas industriales de DeWALT. u otras organizaciones calificadas. Estas organizaciones prestan servicio a las herramientas DeWALT y emplean siempre refacciones legítimas DeWALT.

PARA REPARACION Y SERVICIO DE SUS HERRAMIENTAS ELECTRICAS FAVOR DE DIRIGIRSE AL CENTRO DE SERVICIO MAS CERCANO

CULIACAN	
Av. Nicolas Bravo #1063 Sur	(91 671) 242 10
GAUDALAJARA	
Av. La Paz #1779	(91 3) 826 69 78.
MEXICO	
Eje Lázaro Cárdenas No. 18 Local D, Col. Obrera	588-9377
MERIDA	
Calle 63 #459-A	(91 99) 23 54 90
MONTERREY	
Av. Francisco I. Madero Pte. 1820-A	(91 83) 72 11 25
PUEBLA	
17 Norte #205	(91 22) 46 37 14
QUERETARO	
Av. Madero 139 Pte.	(91 42) 14 16 60
SAN LOUIS POTOSI	
Pedro Moreno #100 Centro	(91 48) 14 25 67
TORREON	
Blvd. Independencia, 96 pte.	(91 17) 16 52 65
VERACRUZ	
Prolongación Diaz Miron #4280	(91 29) 21 70 16
VILLAHERMOSA	
Constitucion 516-A	(91 93) 12 53 17

PARA OTRAS LOCALIDADES LLAME AL: 326 7100

Póliza de Garantía

IDENTIFICACIÓN DEL PRODUCTO:

Sello o firma del Distribuidor.

Nombre del producto: _____ Mod./Cat.: _____

Marca: _____ Núm. de serie: _____

(Datos para ser llenados por el distribuidor)

Fecha de compra y/o entrega del producto: _____

Nombre y domicilio del distribuidor donde se adquirió el producto:

Este producto está garantizado por un año a partir de la fecha de entrega, contra cualquier defecto en su funcionamiento, así como en materiales y mano de obra empleados para su fabricación. Nuestra garantía incluye la reparación o reposición del producto y/o componentes sin cargo alguno para el cliente, incluyendo mano de obra, así como los gastos de transportación razonablemente erogados derivados del cumplimiento de este certificado.

Para hacer efectiva esta garantía deberá presentar su herramienta y esta póliza sellada por el establecimiento comercial donde se adquirió el producto, de no contar con ésta, bastará la factura de compra.

EXCEPCIONES.

Esta garantía no será válida en los siguientes casos:

- Cuando el producto se hubiese utilizado en condiciones distintas a las normales;
- Cuando el producto no hubiese sido operado de acuerdo con el instructivo de uso que se acompaña;
- Cuando el producto hubiese sido alterado o reparado por personas distintas a las enlistadas al final de este certificado.

Anexo encontrará una relación de sucursales de servicio de fábrica, centros de servicio autorizados y franquiciados en la República Mexicana, donde podrá hacer efectiva su garantía y adquirir partes, refacciones y accesorios originales.

Garantía Completa

Las herramientas industriales DeWALT están garantizadas durante un año a partir de la fecha de compra. Repararemos, sin cargos, cualquier falla debida a material o mano de obra defectuosos. Por favor regrese la unidad completa, con el transporte pagado, a cualquier Centro de Servicio para Herramientas Industriales de

DeWALT o a las estaciones de servicio autorizado enlistadas bajo "Herramientas Eléctricas" en la Sección Amarilla. Esta garantía no se aplica a los accesorios ni a daños causados por reparaciones efectuadas por terceras personas. Esta garantía le otorga derechos legales específicos, y usted puede tener otros derechos que pueden variar de estado a estado.

En adición a la garantía, las herramientas DeWALT están amparadas por nuestra:

GARANTÍA DE SATISFACCIÓN SIN RIESGO POR 30 DÍAS

Si usted no se encuentra completamente satisfecho con el desempeño de su herramienta industrial DeWALT, sencillamente devuélvala a los vendedores participantes durante los primeros 30 días después de la fecha de compra para que le efectúen un reembolso completo. Por favor regrese la unidad completa, con el transporte pagado. Se puede requerir prueba de compra. **REEMPLAZO DE LAS ETIQUETAS DE ADVERTENCIA GRATUITO:** Si sus etiquetas de advertencia se toman ilegibles o se pierden, llame al 1-800-4-DeWALT para que se las reemplacen sin cost.

IMPORTADO: DeWALT S.A. DE C.V.
BOSQUES DE CIDROS ACCESO RADIATAS NO. 42
COL. BOSQUES DE LAS LOMAS.
05120 MÉXICO, D.F.
TEL. 326-7100

Para servicio y ventas consulte
"HERRAMIENTAS ELÉCTRICAS"
en la sección amarilla.



Español

Free Manuals Download Website

<http://myh66.com>

<http://usermanuals.us>

<http://www.somanuals.com>

<http://www.4manuals.cc>

<http://www.manual-lib.com>

<http://www.404manual.com>

<http://www.luxmanual.com>

<http://aubethermostatmanual.com>

Golf course search by state

<http://golfingnear.com>

Email search by domain

<http://emailbydomain.com>

Auto manuals search

<http://auto.somanuals.com>

TV manuals search

<http://tv.somanuals.com>