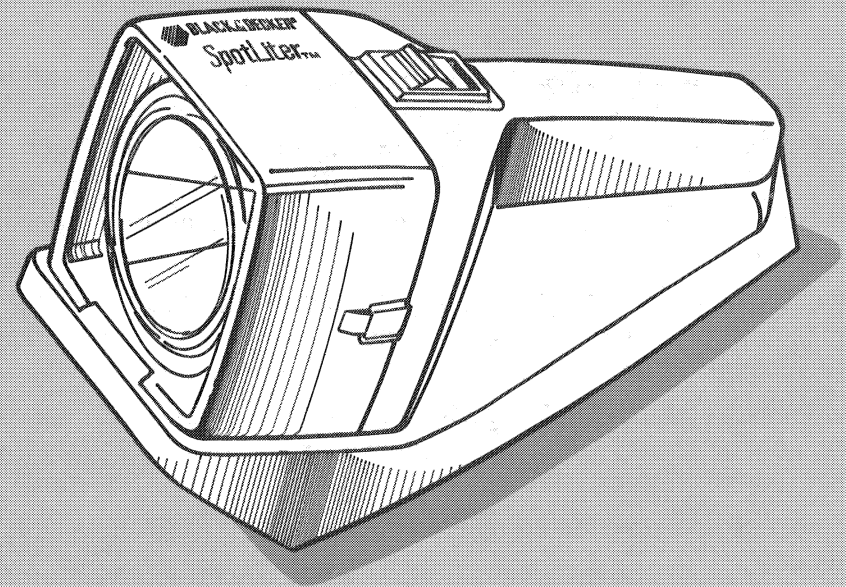




SAVE THIS USE AND CARE BOOK

# SpotLiter™ Rechargeable Light



**1-800-231-9786**  
QUESTIONS? Please call us TOLL FREE



Ni-Cd

Contains nickel-cadmium batteries. Batteries must be recycled or disposed of properly. For information on our battery recycling program, see pages 9-11 in this book.

**MODEL 9360B**



# IMPORTANT SAFEGUARDS

When using electrical appliances, basic safety precautions should always be followed, including the following:

**PLEASE READ ALL INSTRUCTIONS CAREFULLY BEFORE USING THE UNIT.**

**WARNING:** To reduce the risk of fire, electrical shock, or injury:

- Close supervision is necessary when any appliance is used by or near children. Do not allow to be used as a toy.
- To protect against risk of electrical shock, do not put unit or charging base in water or other liquid.
- Do not operate in the presence of explosives and/or flammable fumes or liquids.
- Do not operate any appliance with a damaged cord or charger or after the appliance malfunctions or is damaged in any manner. Return the appliance to any authorized service facility for examination, repair, or electrical or mechanical adjustment.
- Do not use the charger outdoors or expose the unit to rain. The unit is not watertight.
- Do not abuse the cord. Never carry the charger or base by the cord or yank to disconnect from an outlet; instead, grasp the charger and pull to disconnect. Keep cord away from heated surfaces.
- Do not allow the cord to hang over the edge of a table or counter or touch hot surfaces. The unit should be placed or mounted away from sinks and hot surfaces.
- Do not use an extension cord. Plug the charger directly into an electrical outlet.
- Use the charger only in a standard electrical outlet (120V/60Hz).
- Do not attempt to use the charger with any other product; do not attempt to charge this product with any other charger.
- Do not handle plug or appliance with wet hands.
- This appliance is intended for household use only and not for commercial or industrial use.
- Use only as described in this manual. Use only manufacturer's recommended attachments.

# SPOTLITER™ RECHARGEABLE LIGHT REPLACEMENT BULB ORDER FORM

**Mail Order Form to:**

Black & Decker® SpotLiter™ Bulb Offer ,  
P.O. Box #600, Hampstead, MD 21074-0600

To place an order by phone,  
call toll free, 1-800-258-6003

NAME \_\_\_\_\_

STREET ADDRESS \_\_\_\_\_

CITY \_\_\_\_\_ STATE \_\_\_\_\_ ZIP \_\_\_\_\_ PHONE # \_\_\_\_\_

**Method of Payment:**

Check or Money Order Payable to: Black & Decker. Do Not Send Cash.  
C.O.D. Orders Not Accepted.

VISA       MasterCard       Discover       American Express

CARD NO. \_\_\_\_\_ EXPIRES \_\_\_\_\_ CARDHOLDER'S SIGNATURE \_\_\_\_\_

Offer good only in the United States. Allow 2-3 weeks for delivery. Prices subject to change.

Products listed below are for use with the Black & Decker® SpotLiter™ Rechargeable Light — Model #9360B unless stated otherwise.

OFFICE USE ONLY	PRODUCT DESCRIPTION	PART NUMBER	PRICE EACH	QUANTITY	TOTAL AMOUNT
1	Xenon Bulb	168002-00	\$2.45		\$
1	Kit A - Package of 3 Xenon Bulbs	3-168002-00	\$ 5.00 (\$1.93 Each Save 20%)		\$

**Subtotal** \$ \_\_\_\_\_

**Local Sales Tax** \$ \_\_\_\_\_  
(Except AK, DC, DE, ID, MS, MT, ND, NH, OR, PR, RI, SD, VT, WY)

**Shipping & Handling** \$ 1.00

**TOTAL AMOUNT** \$ \_\_\_\_\_

### MISSOURI

**KANSAS CITY** — 4324 Main St., 64111 816-531-0629  
**ST. ANN** — 3637 North Lindbergh Blvd., 63074  
314-739-4661  
**ST. LOUIS** — 12852 Manchester Rd., 63131 314-821-8740

### NEBRASKA

**OMAHA** — 4225 South 84th St., 68127 402-592-5666

### NEVADA

**LAS VEGAS** — 3411 East Charleston Blvd., 89104  
702-641-6555

### NEW JERSEY

**CHERRY HILL** — 1444 East Marlton Pike (Rt. 70), 08034  
609-429-2822  
**LITTLE FALLS** — 1189 U.S. Hwy. 46, 07424 201-256-9373  
**SCOTCH PLAINS** — 2520 Route #22 East, 07076 908-233-5665

### NEW MEXICO

**ALBUQUERQUE** — 5617 Menaul Blvd., N.E., 87110  
505-884-1002

### NEW YORK

**ALBANY (Latham)** — 836 Troy-Schenectady Rd., 12110  
518-785-1867  
**BUFFALO** — 881 West Delavan Ave., 14209 716-884-6220  
**CENTEREACH LI.** — 2061-63 Middle Country Rd., 11720  
516-737-4706  
**NEW YORK (Elmhurst)** — 77-20 Queens Blvd., 11373  
718-335-1042  
**NEW YORK (Manhattan)** — 50 West 23rd St., 10010  
212-929-6450  
**NEW YORK (Westbury, L.I.)** — 1061 Old Country Rd., 11590  
516-997-6140  
**ROCHESTER** — 2969 W. Henrietta Rd., 14623 716-424-1310  
**SYRACUSE** — 3485 Erie Blvd., East, 13214 315-446-3086

### NORTH CAROLINA

**CHARLOTTE** — 3007 East Independence Blvd., 28205  
704-374-1779  
**GREENSBORO** — 3716 High Point Rd., 27407 919-852-1300  
**RALEIGH** — 2930 Capital Blvd., 27604 919-878-0357

### OHIO

**CINCINNATI** — 2310 East Sharon Rd., 45241 513-772-3111  
**COLUMBUS** — 3975 East Livingston Ave., 43227  
614-237-0461  
**DAYTON** — 2898 South Dixie Drive, 45409 513-298-1951  
**MAYFIELD HEIGHTS** — 5881 Mayfield Rd., 44124  
216-449-2770  
**PARMA HEIGHTS (Cleveland)** — 6483 Pearl Rd., 44130  
216-842-9100  
**TOLEDO** — 3231 Dorr St., 43607 419-531-8921

### OKLAHOMA

**OKLAHOMA CITY** — 1318 Linwood Blvd., 73106  
405-232-7515  
**TULSA** — 3120 S. Sheridan Rd, 74145 918-622-5666

### OREGON

**PORTLAND** — 1640 NW Johnson St., 97209  
503-228-8631

### PENNSYLVANIA

**ALLENTOWN (Whitehall)** — 2242 MacArthur Rd., 18052  
215-435-9544  
**EVANS CITY** — Cranberry Town Center Plaza, 20808 Rt. 19 N., 16033  
412-779-9600  
**HARRISBURG** — 6080 Allentown Blvd., 17112 717-545-0651  
**LANCASTER** — 118 Keller Ave., 17601 717-393-5251  
**PHILADELPHIA** — 9977-81 Bustleton Ave., 19115  
215-464-7771  
**PHILADELPHIA** — 333 North 20th St., 19103 215-564-5520  
**PITTSBURGH** — 5437 Baum Blvd., 15232 412-362-2700  
**WILKES-BARRE** — 759 Kidder St., 18702 717-824-5704

### PUERTO RICO

**GUAYNABO** — "C" Street # 14, Rexco Industrial Park, 00922-1924  
809-783-3535

### RHODE ISLAND

**SEEKONK, MA** — 120 Highland Ave., 02771 508-336-6510

### SOUTH CAROLINA

**GREENVILLE** — 1557 Laurens Rd., 29607 803-232-3038

### TENNESSEE

**CHATTANOOGA** — Perimeter Place Shopping Ctr., Sp. E,  
6231 Perimeter Dr., 37421 615-894-5957  
**KNOXVILLE** — 4118 North Broadway, 37917 615-688-0921  
**MEMPHIS** — 1085 East Brooks Rd., 38116 901-332-3444  
**NASHVILLE** — 4811 Nolensville Rd., 37211 615-833-8277

### TEXAS

**AMARILLO** — 3008 West 6th Ave., 79106 806-373-1531  
**AUSTIN** — 6549 Burnet Rd., 78757 512-459-1133  
**DALLAS** — 2257 Royal Lane, 75229 214-620-8655  
**EL PASO** — 6822 Gateway East, 79915 915-778-9769  
**FORT WORTH** — 721 North Beach St., 76111 817-831-3828  
**GARLAND** — 78 West Centerville Rd., 75043 214-686-9302  
**HOUSTON** — 536 East Tidwell Rd., 77022 713-692-7111  
**SAN ANTONIO** — 500 Culebra Ave., 78201 210-732-1221  
**WEBSTER** — 100 East Nasa Road One, Ste. 75, 77598 713-338-4556

### UTAH

**SALT LAKE CITY** — 1541 S. Third West St., 84115 801-486-5828

### VIRGINIA

**FALLS CHURCH** — 344 W. Broad St., 22046 703-533-7313  
**HAMPTON** — 3416 W. Mercury Blvd., 23666 804-826-9382  
**NORFOLK** — 7631 Sewells Point Rd., 23513 804-480-3333  
**RICHMOND** — 1424 Chamberlayne Ave., 23222 804-649-9245

### WASHINGTON

**SEATTLE** — 421 S. Michigan, 98108 206-763-2010  
**SPOKANE** — N. 7011 Division St., 99208 509-467-8190  
**TACOMA** — 2602 S. 38th St., 98409 206-473-6040

### WEST VIRGINIA

**CHARLESTON** — 1638 Sixth Ave., 25312 304-343-0289

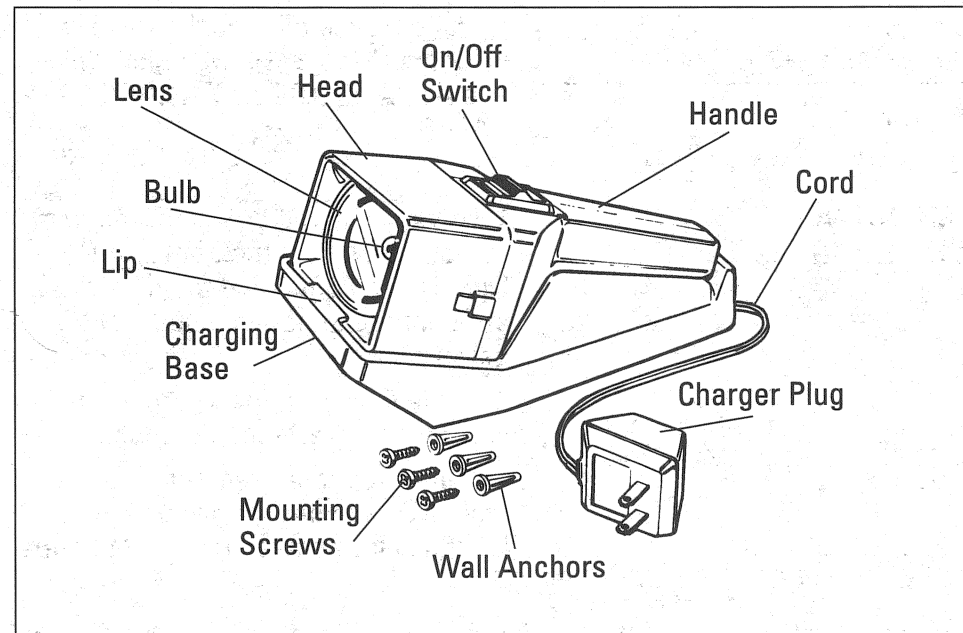
### WISCONSIN

**MILWAUKEE (Wauwatosa)** — 10424 W. Bluemound Rd., 53226  
414-453-4240

REV: 8/94

- Unplug the charger from outlet before any routine cleaning or maintenance.
- This product contains nickel-cadmium batteries, bound together in a pack, which must be recycled or disposed of properly at the end of the life of the Light (see "Battery Removal and Disposal" page 9, and "Disposal" page 10). Do not incinerate or compost the battery pack as it will explode at high temperatures.
- Leaks from battery cells can occur under extreme conditions. If the liquid, which is a 20-35% solution of potassium hydroxide, gets on the skin (1) wash quickly with soap and water or (2) neutralize with a mild acid such as lemon juice or vinegar. If the liquid gets into the eyes, flush them immediately with clean water for a minimum of 10 minutes. Seek medical attention.

## SAVE THESE INSTRUCTIONS



# Charging Procedure

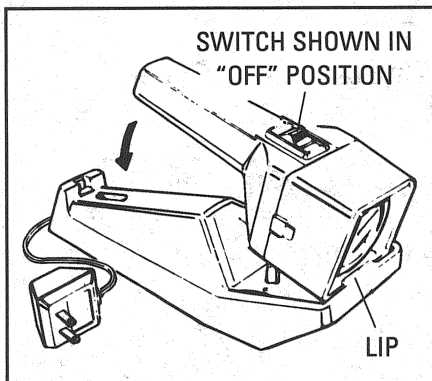


Figure 1

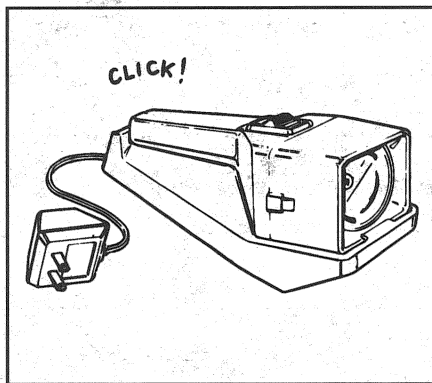


Figure 2

1. Place the SpotLITER™ Light into the Base by first putting the Lens end of the Light under the Lip at the lower end of the Base. (Figure 1) Then push the Handle end down until you hear a click. (Figure 2)

2. Plug charger Plug into a 120 volt receptacle. The Charger Plug can only be used with 60 cycle 120 volts A.C. (normal house current). The Charger Plug is designed to be left plugged in at all times.

3. The SpotLITER™ Light is designed so that it is continuously charging while the Light is mounted in the Charging Base. It is recommended that the SpotLITER™ Light be kept on charge in the Base so that it will always be ready to use. The batteries require 24 hours to reach full capacity, and 10 hours to reach 60% capacity.

4. The exposed electrical terminals mounted in the Base are at low voltage A.C. AND ARE NOT A SHOCK HAZARD.

## IMPORTANT CHARGING NOTES

1. Longest life and best performance can be obtained if the SpotLITER™ Light is used often and the batteries are charged at normal household temperatures.
2. While charging, the Charger Plug will become warm to the touch.
3. If after repeated use, the running time seems to get shorter and the Light has less power, it may not be the

# BLACK AND DECKER COMPANY-OWNED SERVICE CENTERS

## ALABAMA

**BIRMINGHAM** — 2412 Green Springs, Hwy., 35209  
205-942-0538  
**MOBILE** — 3831 Airport Blvd., 36608 205-343-6624

## ALASKA

**ANCHORAGE** — 910 West International Airport Rd., 99518  
907-563-4664

## ARIZONA

**MESA** — 535 South Dobson Rd., Suite 7, 85202  
602-461-1074  
**PHOENIX** — 4501 N. 7th Ave., 85013 602-279-6414  
**TUCSON** — 4845 E. Speedway Blvd., 85712 602-323-3388

## ARKANSAS

**LITTLE ROCK** — 519 W. Seventh St., 72201 501-372-3040

## CALIFORNIA

**ANAHEIM** — 540 South State College Blvd., 92806  
714-772-4050  
**CHULA VISTA** — 309 Broadway, 91911 619-420-6350  
**CONCORD** — 1500 Monument Blvd., #C2, 94520  
510-682-4880  
**FRESNO** — 5412 North Blackstone Ave., 93710 209-435-0810  
**LONG BEACH** — 2011 South St., 90805 310-422-5825  
**LOS ANGELES** — 4820 South Eastern Ave., Suite "L" 90040  
213-720-1834  
**RIVERSIDE** — 6215 Magnolia Ave., Suite B, 92506  
714-787-9700  
**SACRAMENTO** — 2033 Fulton Ave., 95825 916-972-9090  
**SAN DIEGO** — 9270 Clairmont Mesa Blvd., 92123  
619-279-2011  
**SAN JOSE** — 1185 South Bascom Ave., 95128 408-293-7350  
**SAN LEANDRO** — 15206 East 14th St., 94578 510-276-1610  
**VAN NUYS** — 14920 Victory Blvd., 91411 818-787-5531

## COLORADO

**DENVER** — 1171 South Federal Blvd., Box 18220, 80219  
303-922-8325

## CONNECTICUT

**HARTFORD** — 662 Silas Deane Hwy., 06109 203-563-5800  
**ORANGE** — 481 Boston Post Rd., 06477 203-795-3583

## DISTRICT OF COLUMBIA

**COLMAR MANOR, MD** — 4153 Bladensburg Rd., 20710  
301-779-3808  
**FALLS CHURCH, VA** — 344 W. Broad St., 22046  
703-533-7313

## FLORIDA

**FT. LAUDERDALE** — 799 East Oakland Pk. Blvd., 33334  
305-566-5102  
**FT. MYERS** — 5224 Bank St., 33907 813-278-1188  
**JACKSONVILLE** — 920 Cassat Ave., 32205 904-781-2253  
**MIAMI** — 13345 North West Seventh Ave., 33168  
305-681-6658  
**MIAMI** — 12233 South Dixie Hwy., 33156 305-232-9497  
**ORLANDO** — 3807 East Colonial Dr., 32803 407-894-7011  
**ST. PETERSBURG** — 5635 49th St. North, 33709  
813-525-0273  
**TAMPA** — 3432 West Kennedy Blvd., 33609 813-872-8317  
**WEST PALM BEACH** — 310 South Military Trail, 33415  
407-689-3247

## GEORGIA

**ATLANTA (South)** — 5330 Old National Hwy., 30349 404-762-8844  
**SMYRNA** — 2550 Cobb Parkway South, 30080 404-956-0869  
**STONE MOUNTAIN** — 5723 Memorial Dr., 30083 404-292-4714

## HAWAII

**HONOLULU** — Unit No. 106, Sand Island Access Rd., 96819  
808-847-7447

## ILLINOIS

**CHICAGO (Lincolnwood)** — 6710 North Crawford Ave., 60646  
708-673-0923  
**DES PLAINES** — 1277 South Elmhurst Rd., 60018 708-364-5220  
**LISLE** — 2950 Ogden Ave., Unit H, 60532 708-717-1075  
**MOLINE** — 4433 23rd Ave., 61265 309-762-3000  
**OAK LAWN** — 6343 W. 95th St., 60453 708-423-7212  
**WAUKEGAN** — 31 S. Greenbay Rd., 60085 703-249-4390

## INDIANA

**EVANSVILLE** — 307 First Ave., Crescent Ctr., 47710 812-425-4269  
**HAMMOND** — 7103 Kennedy Ave., 46323 219-845-5100  
**INDIANAPOLIS (Speedway)** — 5999 Crawfordsville Rd., 46224  
317-243-8308

## IOWA

**DES MOINES** — 3427 Merle Hay Rd., 50310 515-270-1340

## KANSAS

**WICHITA** — 155 South West St., 67213 316-943-1271

## KENTUCKY

**LOUISVILLE** — 5211 Preston Hwy., 40213 502-968-7100

## LOUISIANA

**BATON ROUGE** — 11859 Florida Blvd., 70815 504-272-8111  
**HARVEY** — 2500 Lapalco Blvd., 70058 504-366-8676  
**METAIRIE (New Orleans)** — 3504 North Causeway Blvd., 70002  
504-837-2550  
**SHREVEPORT** — 7710-7714 Jewella Rd., 71108 318-688-1553

## MARYLAND

**BALTIMORE** — 4712 Erdman Ave., 21205 410-485-5550  
**BALTIMORE** — 29-31 Cranbrook Rd., Cockeysville, 21030  
410-666-5966  
**COLMAR MANOR (Wash. D.C.)** — 4153 Bladensburg Rd., 20722  
301-779-3808  
**PASADENA** — 8220 Ritchie Hwy., 21122 410-647-8456

## MASSACHUSETTS

**BRIGHTON (Boston)** — 12 Market St., 02135 617-782-6264  
**SEEKONK** — 120 Highland Ave., 02771 508-336-6510

## MICHIGAN

**GRAND RAPIDS** — 3040 28th St. SE, 49512 616-949-8331  
**LANSING** — 3205 W. Saginaw Hwy., 48917 517-323-4181  
**WARREN** — 27035 Van Dyke Blvd., 48093 313-756-6711  
**WESTLAND** — 8067 N. Wayne Rd., 48185 313-427-1520

## MINNESOTA

**BLOOMINGTON** — 9517 Lyndale Ave., South, 55420 612-884-9191



## FULL TWO-YEAR WARRANTY

Black & Decker (U.S.) Inc. warrants this product against any defects that are due to faulty material or workmanship for a two-year period after the original date of consumer purchase or receipt as a gift. This warranty does not include damage to the product resulting from accident or misuse.

If the product should become defective within the warranty period, we will repair it or elect to replace it free of charge. We will return your product, transportation charges prepaid, provided it is delivered prepaid to any Black & Decker (U.S.) Inc., Household Appliance Company-Owner or Authorized Service Center.

This warranty gives you specific legal rights, and you may also have other rights which vary from state to state.

Answers to any questions regarding warranty or service locations may be obtained by calling toll free, 1-800-231-9786, or by writing:

Consumer Assistance & Information  
Black & Decker (U.S.) Inc.  
626 Hanover Pike  
Hampstead, MD 21074-0618



Listed by Underwriters Laboratories Inc.  
Copyright 1989, 1990, 1993, 1994 Black & Decker  
Pub. No. 168642-19-RV03  
Printed in U.S.A.

result of a faulty unit. You can correct the problem by leaving the unit on until the Light becomes dim. Then recharge the unit for 24 hours. This procedure improves the capacity of the battery pack. You may need to repeat this a few times for best results.

4. If the Light does not function, check to see if the Charger Plug is plugged into an outlet; make sure the outlet is not controlled by a wall switch. Also check for a blown household fuse.

## Mounting The Charging Base

### CHOOSING A CHARGING LOCATION

1. Charge the Light indoors; never expose it to the weather.
2. Do not store the SpotLiter™ Rechargeable Light in locations where the temperature may reach 120°F or more (such as outside sheds or metal buildings in the summer).
3. Do not charge the batteries when the temperature is below +40°F or above +105°F. Damage to batteries may occur.
4. Mount the Charging Base away from water, a high heat source, or flame. Keep the cord away from sharp edges, oil, and other chemicals.
5. Use the Charger Plug only with standard household outlets (120 volts A.C., 60 Hz).

## HOW TO MOUNT THE CHARGING BASE

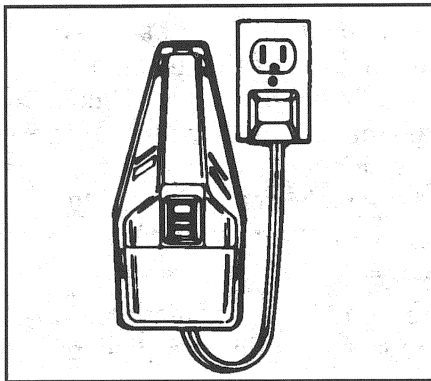


Figure 3A

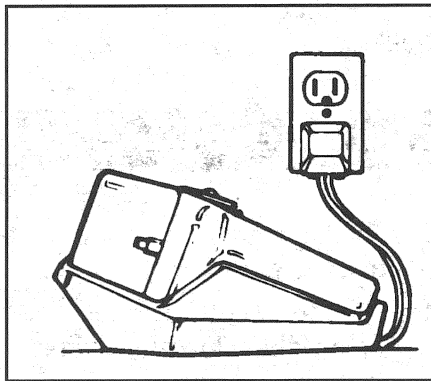


Figure 3B

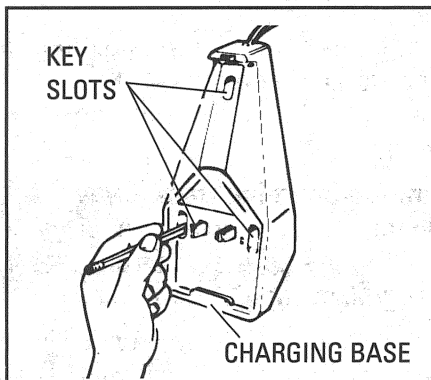


Figure 4

1. The Charging Base is designed to be mounted vertically on a wall or horizontally on a shelf or other surface. (Figure 3A & 3B) Mounting the Light will enable you to find it easily in case of an emergency.

2. To mount the Charging Base:

- Place it against the surface where it is to be mounted. Mark screw centers at the small end of all key slots. (Figure 4)

**CAUTION:** Safety glasses should be worn any time a drill is being used. When drilling, take care to avoid any electrical wiring located behind the wall.

- If mounting the Base to drywall or plaster, drill 3/16" diameter holes on the marked centers and push the plastic wall anchors (included in the hardware) fully into the holes.

## NEED SERVICE OR ACCESSORIES?

To help avoid this, Black & Decker has begun a comprehensive, nationwide program of Ni-Cd battery recycling. We're pitching in to keep rechargeable Ni-Cd batteries out of the waste stream.

Here's how you can help. When your Black & Decker cordless tool or appliance no longer holds a charge, take it to your local Black & Decker Service Center. Or, if you prefer, send the product to an authorized Service Center with a note asking us to remove and recycle the Ni-Cd batteries. We will see to the proper disposal of the batteries, battery pack, and/or product. If you wish, follow the battery pack removal instructions on page 9 of this booklet and contact your local municipality for proper battery disposal instructions.

If you have any further questions about Black & Decker's Ni-Cd battery recycling program or need to locate the Service Center nearest you, call our Consumer Assistance & Information Department toll free at 1-800-231-9786.

Service, if necessary, must be performed by a Black & Decker (U.S.) Inc., Household Appliance Company-Owned or Authorized Service Center. The Service Center nearest you can be found in the yellow pages of your phone book under "Appliances-Small-Repairing."

If mailing or shipping your SpotLiter™ Rechargeable Light, pack it carefully in any sturdy carton with enough packing material to prevent damage. Include a note describing the problem to our Service Center and be sure to give your return address. We also suggest that you insure the package for your protection.

Consumer-replaceable parts and accessories are also available at Black & Decker (U.S.) Inc., Household Appliance Company-Owned (see pgs. 13-14 for list) or Authorized Service Centers or can be mail ordered using the order form in this manual.

## Disposal:

The battery pack or the entire product can be taken to a Black & Decker (U.S.) Inc., Household Appliance Company-Owned or Authorized Service Center for proper disposal. If you wish to purchase a new battery pack, a Service Center technician will install it at no charge and arrange for recycling the old battery pack. Do not dispose of in an incinerator or landfill.

For more information on recycling nickel-cadmium batteries, call our Consumer Assistance & Information Department toll free at 1-800-231-9786.

## WHY YOU SHOULD RECYCLE YOUR RECHARGEABLE BATTERIES

In the past decade, we have all become accustomed to the power and convenience of handheld, rechargeable power tools and appliances. Most of these tools and appliances are powered by nickel-cadmium batteries (Ni-Cd).

Unlike alkaline batteries that may last only a few days before needing replacement, Ni-Cd batteries can be recharged over and over again. In addition, these batteries need not contribute to our country's growing waste disposal problem - as alkaline batteries do - because they can be recycled. They should not be disposed of, incinerated, or composted.

Though Ni-Cd batteries last far longer than alkaline batteries - usually from 5 to 7 years - they eventually will no longer hold a charge. When that happens, many consumers throw away the batteries or the product itself. That is both wasteful and harmful to the environment. When you throw away a Ni-Cd battery, it contributes to the waste disposal problem.

## Bulb Replacement

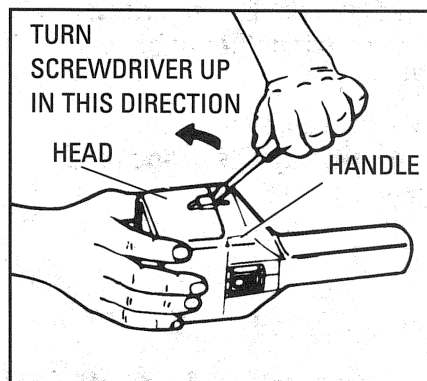


Figure 5

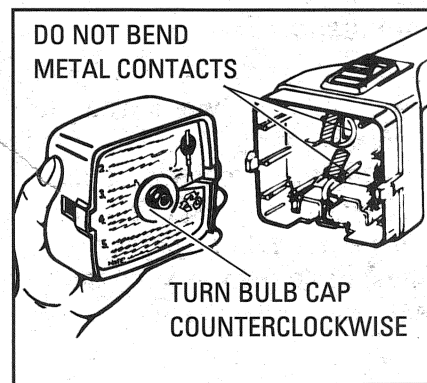


Figure 6

- Turn the screws into the wall leaving 1/4" of the screws exposed. Place the Base on the mounting screws and slide into place. Tighten screws snugly against the base.
- If the Base is to be mounted close to an outlet, the excess cord can be tied and folded or wrapped in the cord storage area on the underside of the Base. The cord can slide into the slots on the sides of the Charging Base.

1. To reach the Bulb, the Head can be removed from the Handle by inserting the flat tip of a screwdriver into the slot located on the side of the Head. Lift the screwdriver up slightly to release the Head from the Handle. (Figure 5)

**NOTE:** Two bright metal contacts will be exposed inside the housing. Care should be taken not to bend these when disassembling and reassembling. (Figure 6)

2. Remove the Bulb from the back of the reflector and replace it with a new Bulb. (Figure 6)

A replacement bulb is available at any Black & Decker (U.S.) Inc., Household Appliance Company-Owned or Authorized Service Centers or on the order form located on the back page of this book. (For your convenience, a

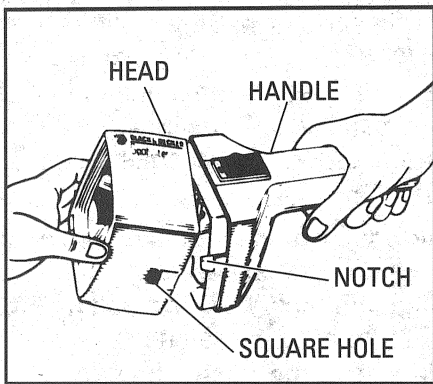


Figure 7

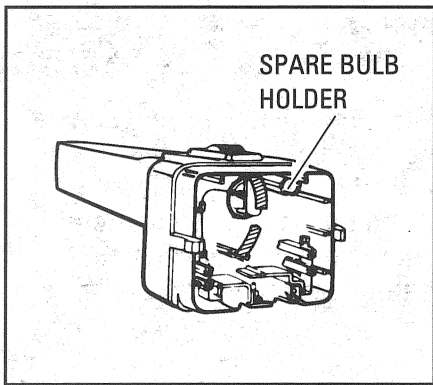


Figure 8

complete listing of our Company-Owned Service Centers can be found on pgs. 13-14.) Also KPR102 or K-2 Krypton bulbs, or PR2 bulbs may be substituted, and are available at many retail stores. The performance of these bulbs is less than the Xenon bulb, but may be used satisfactorily.

3. Position the Head so that the SpotLite™ name is on the same side as the On/Off Switch. Hold the Head in one hand and the Handle in the other. Slide the square hole on the side of the Head over the Notch on the side of the Handle. With firm pressure, press the Head and Handle until they snap together. Do not attempt to snap both sides together at once. (Figure 7)

4. For your convenience, a built-in holder provides handy storage for a spare bulb. (Figure 8)

## Care Guide

### Cleaning Plastic Parts

Use only mild soap (no abrasives) and a cloth dampened with warm water to clean the plastic parts. Avoid all other types of detergents, cleaners, or solvents which might contain chemicals that could seriously damage the plastic. For best performance, keep the Lens clean using a damp cloth.

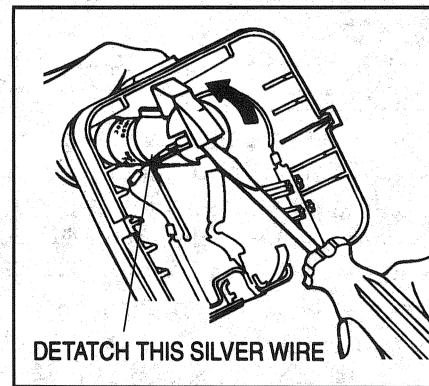


Figure 9

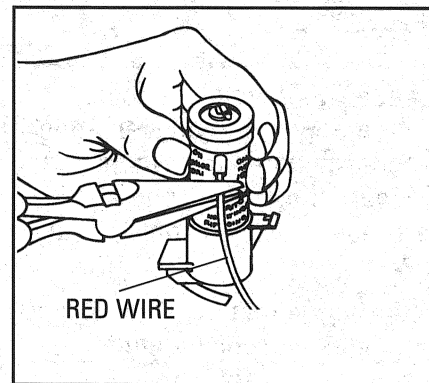


Figure 10

### Battery Removal and Disposal

This product contains two rechargeable and recyclable nickel-cadmium batteries bound together in a pack. When the battery pack can no longer be charged, it should be removed and recycled (See "Removal" below). The battery pack must not be incinerated or composted. (See "Disposal" page 10)

### Removal

Open the unit as described in "Bulb Replacement" on page 7. You will see a battery removal instruction sheet in the head portion to aid you in removing the battery pack. To remove the battery pack, you will need two common household tools: a pliers and a flat-blade screwdriver.

If the batteries have leaked, protective gloves should be worn before touching the battery pack. Insert a flat-blade screwdriver into the battery cap and twist counterclockwise.

Using pliers, remove the silver wire from the battery pack. (Figure 9) Turn the Light over and shake gently to free the battery pack. Using pliers, remove the red wire from the battery pack just as you removed the silver wire. (Figure 10)

**IMPORTANT:** DO NOT ATTEMPT TO REMOVE THE PLASTIC COVERING FROM THE BATTERY PACK. DO NOT ATTEMPT TO REPLACE THE BATTERIES WITH ANY BATTERIES OTHER THAN THOSE SUPPLIED BY THE MANUFACTURER.



## Free Manuals Download Website

<http://myh66.com>

<http://usermanuals.us>

<http://www.somanuals.com>

<http://www.4manuals.cc>

<http://www.manual-lib.com>

<http://www.404manual.com>

<http://www.luxmanual.com>

<http://aubethermostatmanual.com>

Golf course search by state

<http://golfingnear.com>

Email search by domain

<http://emailbydomain.com>

Auto manuals search

<http://auto.somanuals.com>

TV manuals search

<http://tv.somanuals.com>