

BILLY GOAT CR550HC POWER RAKE Owner's Manual

Accessories

SLICING REEL	SLICING BLADES
A complete verti-slicing reel for your CR. 20" wide reel for use in grasses that require vertical cutting, and for assisting in lawn overseeding projects.	A full set of twenty blades for replacement. Includes 40 new cap screws, and lock nuts for replacement installation.
P/N 350252	P/N 350187

Replacement Parts

SPACER BUMPERS	DRIVE BELT	FLAIL BLADES	FLAIL SHAFTS
A complete replacement set. 44 of 1/2" spacer bumpers and 4 of 1/4" spacer bumpers	<i>Original Equipment drive belt for your CR.</i>	A complete replacement set. 52 of our high quality flail blades for your CR. Includes 8 new lock clips for replacement installation.	A full set of four shafts for replacement. Includes 8 new lock clips for replacement installation. Note: We recommend replacing the shafts when you replace flails.
P/N 350258	P/N 350207	P/N 350251	P/N 350185



ABOUT THIS MANUAL

THANK YOU for purchasing a BILLY GOAT® *CR Power Rake*. Your new machine has been carefully designed and manufactured to provide years of reliable and productive service. This manual provides complete operating and maintenance instructions that will help to maintain your machine in top running order. Read this manual carefully before assembling, operating, or servicing your equipment.

CONTENTS

SERIAL PLATE DATA AND SPECIFICATIONS _____	3
GENERAL SAFETY _____	4-5
SOUND AND VIBRATION _____	6
INSTRUCTION LABELS _____	7
PACKING CHECKLIST & ASSEMBLY _____	8
OPERATION _____	9-10
MAINTENANCE _____	11
TROUBLESHOOTING AND WARRANTY PROCEDURE _____	12
ILLUSTRATED PARTS & PARTS LISTS _____	13-16



SERIAL PLATE DATA

Record the model number, serial number, date of purchase, and where purchased.

Purchase Date: _____

Purchased From: _____

1803 S.W. Jefferson
Lee's Summit,
MO 64082 / USA
Tel (816) 524-9666
Fax (816) 524-6983

Model: _____ Serial No.: _____

Unit (Weight): _____ lbs. _____ kg Engine Power: _____ kW _____ rpm

Specifications

CR550HC

Engine: HP	5.0 (3.73 kW)
Engine: Model	GC160AQHA
Engine: Type	HONDA OHC
Engine: Fuel Capacity	2.1 qt (2.0 L)
Engine: Oil Capacity	0.63 qt. (0.6 L)
Total Unit Weight:	125# (56.8 kg)
Max. operating slope	20°
Lwa at operator position	99 dB(a)
Lpa at operator position	81 dB(a)
Vibration at operator position	1.01g (9.94 m/s ²)

GENERAL SAFETY INSTRUCTIONS and SYMBOLS

The safety symbols shown below are used throughout this manual. You should become familiar with them before assembling, operating, or servicing this equipment.



WARNING: This symbol indicates important information that will prevent injury to yourself or others.



This symbol indicates ear protection is recommended when operating this equipment.



This symbol indicates eye protection is recommended when operating this equipment.



This symbol indicates gloves should be worn when servicing this equipment.



This symbol indicates that this manual and the engine manufacturer's manual should be read carefully before assembling, operation, or servicing this equipment.



CAUTION: This symbol indicates important information that will prevent damage to your BILLY GOAT[®] CR Power Rake.



This symbol indicates the engine oil level should be checked before operating this equipment.

Read and make sure you thoroughly understand the following safety precautions before assembling, operating or servicing this equipment:



READ this manual and the engine manufacturer's manual carefully before assembling, operating, or servicing this equipment.



EAR PROTECTION is recommended when operating this equipment.



EYE PROTECTION is recommended when operating this equipment.



BREATHING PROTECTION is recommended when operating this equipment.



WARNING: **EXHAUST** from this product contains chemicals known to the State of California to cause cancer, birth defects or other reproductive harm.

DO NOT operate this equipment on any unimproved forested, brushy, or grass covered land unless a spark arrester is installed on the muffler as required by Section 4442 of the California Public Resources Code. The arrester must be maintained in good working order. Other states may have similar laws. Federal laws apply on federal lands.

DO NOT run engine in an enclosed area. Exhaust gases contain carbon monoxide, an odorless and possibly fatal poison.



WARNING: **DO NOT** run this equipment indoors or in any poorly ventilated area. Refueling outdoors is recommended.

DO NOT refuel this equipment while the engine is running. Allow engine to cool for at least two minutes before refueling.

DO NOT store gasoline near an open flame.

DO NOT remove gas cap while engine is running.

DO NOT start or operate engine if strong odor of gasoline is present.

DO NOT start or operate engine if gasoline is spilled. Move equipment away from spill until gasoline has completely evaporated.

DO NOT smoke while filling the fuel tank.

DO NOT check for spark with spark plug or spark plug wire removed. Use an approved spark tester.

DO NOT operate engine without a muffler. Inspect muffler periodically and replace if necessary. If equipped with muffler deflector, inspect deflector periodically and replace if necessary.

DO NOT operate engine with grass, leaves or other combustible material near the muffler.

DO NOT touch muffler, cylinder, or cooling fins when hot. Contact with hot surfaces may cause severe burns.

DO NOT leave equipment unattended while in operation.

DO NOT park equipment on a steep grade or slope.

DO NOT operate equipment with bystanders in or near the work area.

DO NOT allow children to operate this equipment.

DO NOT operate equipment with guards removed.

DO NOT operate equipment near hot or burning debris or any toxic or explosive materials.

DO NOT operate equipment on slopes greater than specified in Specifications section of this manual.

DO NOT start engine without height adjust lever in up position and clutch bail disengaged.

DO NOT place hands or feet underneath unit, or near any moving parts.

ALWAYS remove spark plug wire when servicing equipment to prevent accidental starting.

ALWAYS check fuel lines and fittings frequently for cracks or leaks. Replace if necessary.

ALWAYS keep hands and feet away from moving or rotating parts.

ALWAYS store fuel in approved safety containers.



WARNING: Important

Remove all rocks, wire, string, etc. that can present a hazard during work prior to starting.



DO identify and mark all fixed objects to be avoided during work such as sprinkler heads, water valves, buried cables, or clothes line anchors, etc.



SOUND



99 dB

L_{wA}

SOUND LEVEL 81 dB(a) at Operator Position

Sound tests were conducted in accordance with 2000/14/EEC, and were performed on 2-9-2002 under the conditions listed below.

⚠ Sound power level listed is the highest value for any model covered in this manual. Please refer to serial plate on the unit for the sound power level for your model.

General Conditions:	Sunny
Temperature:	43°F (6.1°C)
Wind Speed:	10 mph (16.1 kmh)
Wind Direction:	North West
Humidity:	82.2%
Barometric Pressure:	29.72Hg (754 mm Hg)

VIBRATION DATA

VIBRATION LEVEL 1.01g (9.94m/s²)

Vibration levels at the operator's handles were measured in the vertical, lateral and longitudinal directions using calibrated vibration test equipment. Tests were performed on 5-25-2006 under the conditions listed below.

General Conditions:	Sunny
Temperature:	72.32°F (22.4°C)
Wind Speed:	3.8 mph (6.12kph)
Wind Direction:	East
Humidity:	62.2%
Barometric Pressure:	29.9Hg (101.3kpa)

INTENDED USE

INTENDED USE: This machine is designed for removing thatch from your lawn, renovation of existing lawns, and to assist in overseeding operations. The machine should not be used for any other purpose than that stated above.

Do not operate if excessive vibration occurs. If excessive vibration occurs, shut engine off immediately and check for damaged or worn reel, loose pulley bolts or set screws, loose engine or lodged foreign objects. (See trouble shooting section on page 12).

INSTRUCTION LABELS

The labels shown below were installed on your BILLY GOAT® CR Power Rake. If any labels are damaged or missing, replace them before operating this equipment. Item numbers from the Illustrated Parts List and part numbers are provided for convenience in ordering replacement labels. The correct position for each label may be determined by referring to the Figure and Item numbers shown.



LABEL DANGER KEEP HANDS AND FEET AWAY
ITEM #51 P/N 400424



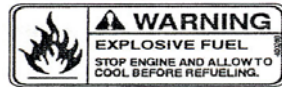
LABEL CLUTCH ITEM #49
P/N 830503



DANGER FLYING DEBRIS
ITEM # 48 P/N 810736



LABEL CAUTION GUARD
ITEM #52 P/N 900327



LABEL EXPLOSIVE FUEL
ITEM # 50 P/N 400268

LABEL INSTRUCTION HEIGHT ADJ.
ITEM #35 P/N 350224



ENGINE LABELS/CONTROLS

HONDA



- READ OWNER'S MANUALS BEFORE OPERATION.
- LIRE LE MANUEL D'UTILISATEUR AVANT USAGE.
- VOR INBETRIEBNAHME UNBEDINGT BEDIENUNGSANLEITUNG DURCHLESEN.
- NO UTILIZAR SIN ANTES NO HABER LEIDO EL MANUAL.

PACKING CHECKLIST

Your Billy Goat Power Rake is shipped from the factory in one carton, completely assembled.



READ all safety instructions before assembling unit.

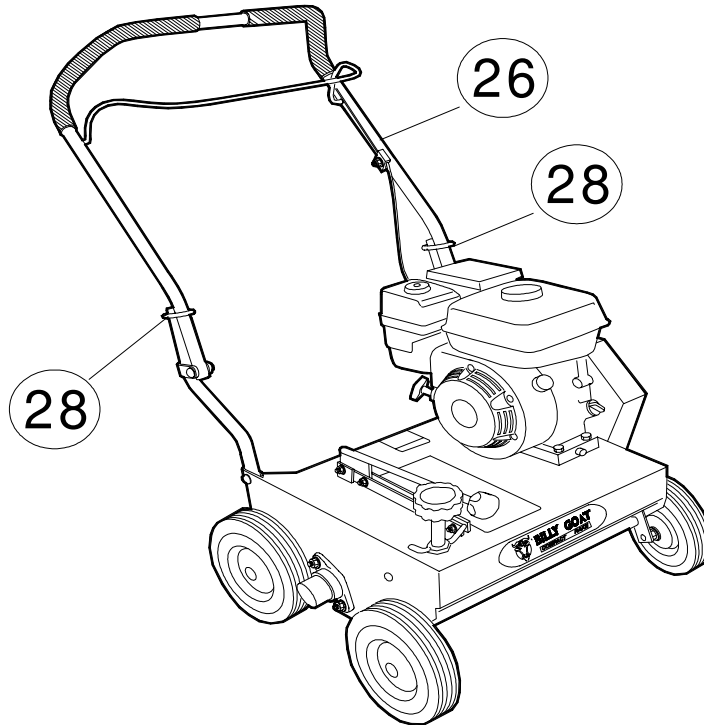
TAKE CAUTION when removing the unit from the box the Handle Assembly is attached and folded over



PUT OIL IN ENGINE BEFORE STARTING

**PARTS BAG &
LITERATURE ASSY**

Warranty card P/N- 400972, Owner's Manual P/N-350245, Declaration of Conformity P/N-350139, and Literature CR Accessories 350246.



Boxing Parts Checklist

- Honda GC 5.0 OHC
- Literature Assy P/N-350243

ASSEMBLY

1. **ASSEMBLE** the left rear wheel to the axle using 3/4" wrench.
2. **UNFOLD** the upper handle (item 26) and slide handle lock loops (item 28) into place to secure the upper handle to the lower.
3. **CHECK** engine oil level and fill to proper level with engine manufacturers recommended grade of oil. Move height adjust lever to down position, to level engine during checking. See engine manufacturers instruction manual.
4. **CONNECT** spark plug wire.

OPERATION

Like all mechanical tools, reasonable care must be used when operating machine.
Inspect machine work area and machine before operating. Make sure that all operators of this equipment are trained in general machine use and safety.
PUT OIL IN ENGINE BEFORE STARTING

STARTING

ENGINE: See engine manufacturer's instructions for type and amount of oil and gasoline used. Engine must be level when checking and filling oil and gasoline.
FUEL VALVE: Move fuel valve to "ON" position (when provided on engine).
STOP SWITCH: Located on the engine. "slow/stop" position.
CHOKE: Operated with choke lever on side of engine.
THROTTLE: Controlled by throttle lever on the motor.
IF YOUR UNIT FAILS TO START:
 See Troubleshooting on page 12.

FOLDING HANDLE

This unit is equipped with a folding upper handle for easier storage and transportation. The handle can be folded by sliding the handle lock loops (item 28) up. This releases the upper handle, allowing it to be folded over the unit.

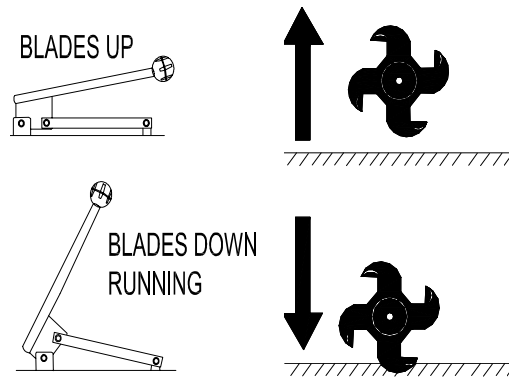
HANDLING & TRANSPORTING:

This unit requires two people to lift it. With the handle in the folded position, lift holding the lower handle and belt/shaft guard one on each side of the machine. Secure the machine in place during transport. See page 3 for weight specifications

Never lift the machine while the engine is running.

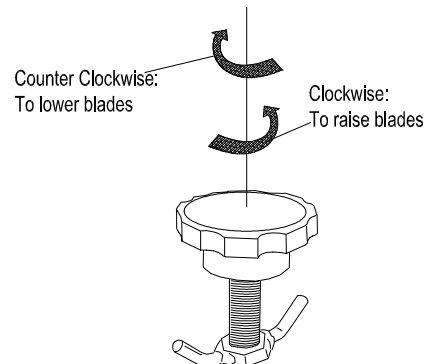
BLADE POSITION & DEPTH CONTROL LEVER

The blades can be raised or lowered into the ground by height adjustment lever on the engine base. The resulting blade depth can be adjusted higher or lower. See ADJUSTING BLADE DEPTH.



ADJUSTING BLADE DEPTH

The depth of the blades can be raised or lowered by rotating the knob on the top of the adjustment lever. The blades are lowered by rotating the knob counter-clockwise, and raised by rotating the knob clockwise. The relative depth of the blades can be gauged by using the depth scale located on the right front corner of the engine base.





RAKING OPERATION

MOW: Mow the lawn to its normal cut height

DRY: Be sure grass is dry. Wet conditions can cause increased damage to healthy grass.

SET DEPTH: With engine off, set the raking depth so that the blades just touch on a flat surface (i.e. driveway, or sidewalk).

START ENGINE: See page 9.

ENGAGE BLADES: Pull back on the bail on the operators handle. **NOTE:** When engaging the blades in heavy load conditions (i.e. heavy thatch, or very uneven turf), push down on the operators handle lifting the front wheels slightly. Engage the blades. Slowly lower the unit into the turf.

RAKE: Rake a small test area and examine the results. Thatch should be removed and deposited on top of the healthy grass. If excessive damage occurs to healthy grass, adjust the blade depth to decrease damage. Continue raking the yard, working in one direction (i.e. north-south, or east-west). **NOTE:** If a large drop in engine RPM occurs, or the unit pulls you forward and bounces during operation the blade depth is set too low.

REMOVE THATCH: After raking, a layer of thatch will be deposited over the top of the lawn. This thatch must be removed prior to any fertilizing, seeding, or watering of the lawn. We suggest the use of a lawn vacuum or wheeled blower for collection and removal of the thatch.

VERTI-CUTTING OPERATION

MOW: Mow the lawn to its normal cut height

DRY: Be sure grass is dry. Wet conditions can cause increased damage to healthy grass.

SET DEPTH: With engine off, set the raking depth so that the blades just touch on a flat surface (i.e. driveway, or sidewalk).

START ENGINE: See Page 9.

ENGAGE BLADES: Pull back on the bail on the operators handle. **NOTE:** When engaging the blades in heavy load conditions (i.e. heavy thatch, or very uneven turf), push down on the operators handle lifting the front wheels slightly. Engage the blades. Slowly lower the unit into the turf.

SLICE: Verti-cut a small test area and examine the results. Some thatch and cut stems should be removed and deposited on top of the healthy grass. Grass runners should be cut and ready for removal. If excessive damage occurs to healthy grass, adjust the blade depth to decrease damage. Continue raking the yard, working in one direction (i.e. north-south, or east-west). **NOTE:** If a large drop in engine RPM occurs, or the unit pulls you forward and bounces during operation the blade depth is set too low.

REMOVE THATCH/STEMS: After verti-cutting, a layer of thatch and cut stems will be deposited over the top of the lawn. We suggest the use of a lawn vacuum or wheeled blower for collection and removal of the thatch/stems.

RAKING/SLICING TIPS

THATCH: Thatch is a dense layer of dead grass, clippings, and roots that builds up over time at the base of the lawn preventing air, water, and fertilizer from reaching the soil. This can cause shallow root development and make a lawn more susceptible to drought and disease. Thatch also provides an ideal environment for insects to hide and multiply. Periodic removal of thatch will keep your lawn in good health.

HEAVY THATCH: Lawns with an excessive amount of thatch will require multiple treatments for effective removal. Trying to remove excessive thatch (greater than 3/4"[19 mm] deep) in one treatment will damage or destroy the living part of the lawn. It is best to remove heavy thatch in seasonal treatments (i.e. spring, and fall).

CHECK: Before beginning, it is best to evaluate the condition of the lawn by cutting one or more core samples from area to be treated. A core can be cut using a piece of pvc, or metal pipe. Hammer the pipe into the ground, remove it, push the core out of the pipe and inspect it to determine the depth of thatch in your yard.

SLOPES: Rake slopes across not up and down. This is much easier and safer for the operator and is better for the lawn. Raking across will help to reduce runoff during watering and allow the sloped ground to hold more seed, fertilizer, and water. The units maximum operating slope is 35% or 19°.

DEPTH: The wide range of depth adjustment on your unit is provided to allow for blade wear. Setting the reel deeper will not produce better, or quicker results. The flail reel is intended to be set so it just touches the surface on flat ground. The slicing reel should be set even with the ground for verti-slicing work, and set to a maximum 1/2" depth for overseeding jobs. Setting the reel deeper than this will only result in premature wear on the unit (i.e. failed belt). If you desire to work the ground deeper than the above guidelines allow, it should be done gradually in multiple passes.

MAINTENANCE

PERIODIC MAINTENANCE

Periodic maintenance should be performed at the following intervals:

Maintenance Operation	Every Use (daily)	Every 25 Hours
Inspect for loose, worn or damaged parts.		●
Check engine oil	●	
Inspect belt		●
Engine (See Engine Manual)		
Grease reel bearings		●
Inspect and clean engine air filter	●	
Oil height adjustment linkage		●

FLAIL BLADE WEAR

1. Wait for engine to cool and disconnect spark plug.
2. Close fuel valve on engine. (Honda only)
3. Lean unit back onto lower handles and secure in place.
4. Inspect blades for wear, and immediately replace any bent or cracked blades. Measure the overall length of the blade. (See fig. 1)
5. If blades measure less than 3.0"(76 mm) in overall length they must be replaced. NOTE: We recommend replacing all the flails at once.

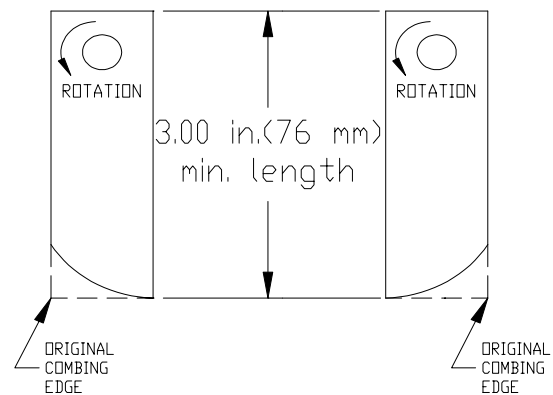


Fig. 1

SLICING BLADE WEAR

1. Wait for engine to cool and disconnect spark plug.
2. Close fuel valve on engine. (Honda only)
3. Lean unit back onto lower handles and secure in place.
4. Inspect blades for wear, and immediately replace any bent or cracked blades. Measure the overall length of the blade from the center of the attachment bolts to the tip of the worn blade.
5. If blades measure less than 3.0"(76 mm) they must be replaced. NOTE: We recommend replacing all the blades at once.

ROTATING FLAIL REEL END TO END

To maximize flail blade life and performance the reel can be rotated end to end periodically to provide a fresh lead cutting edge. Takes approx. 20 min. and requires two 1/2" socket wrenches with extension bar.

1. Wait for engine to cool and disconnect spark plug.
2. Close fuel valve on engine.
3. Lean unit back onto lower handles and secure in place.
4. Remove (6) lock nuts (item 62) holding the belt and shaft guards (item 21 & 22) in place. It is necessary to lower the height adjust lever to reach the locknuts on the guards. Remove the guards.
5. Remove the drive belt (item 9) by "walking" it out of the groove on the reel pulley (item 2).
6. Remove the (4) lock nuts (item 60) and washers (item 68) holding the bearings (item 23) to the frame of the unit.
7. The reel is now free from the machine. Slide the reel down and out of the machine.
8. Remove the capscrew (item 71), lockwasher (item 57), reel pulley (item 2), key (item 42), and reel spacer (item 10) from the end of the reel.
9. Rotate the reel end to end, and re-install these items on the opposite end of the reel.
10. Re-install the reel in reverse order of removal. Re-install the guards in reverse order of removal.

DRIVE BELT REPLACEMENT

NOTE: Takes approx. 10 min. and requires 3/8" socket wrench with extension.

1. Wait for engine to cool and disconnect spark plug.
2. Remove (6) self-tapping screws (item 65) holding the belt guard (item 21 & 22) in place. Remove the guard.
3. Remove the belt (item 9) by rotating the reel pulley (item 2) and walking it out of the groove. Discard old belt
4. Install new belt using same procedure to walk the belt into the groove.
5. With new belt installed pull bail rod back to engaged position and measure extension of idler spring. Spring should stretch 1" to 1.25" (25-32 mm) with bail engaged. Adjust clutch cable as necessary to achieve this extension.
6. Re-install the belt guard.



CR Owner's Manual

STORAGE

⚠ Never store engine indoors or in enclosed poorly ventilated areas with fuel in tank, where fuel fumes may reach an open flame, spark or pilot light, as on a furnace, water heater, clothes dryer or other gas appliance.

If engine is to be unused for 30 days or more, prepare as follows:

⚠ Remove all gasoline from carburetor and fuel tank to prevent gum deposits from forming on these parts and causing possible malfunction of engine. Drain fuel outdoors, into an approved container, away from open flame. Be sure engine is cool. Do not smoke. Run engine until fuel tank is empty and engine runs out of gasoline.

Troubleshooting

Problem	Possible Cause	Solution
Abnormal vibration.	· Damaged or missing blades. Loose handle bolts. Loose engine bolts	· Stop work immediately. Replace any damaged or missing blades. Tighten all loose nuts and bolts.
Engine stalls or labors when raking	· Blades set too deep into ground.	· Raise blades so that they just touch the ground on a level surface
Engine will not start.	· Throttle in off position · Out of gasoline or bad, old gasoline. · Spark Plug wire disconnected. · Gas valve off. · Dirty air cleaner.	· Check choke position. · Check gasoline. · Connect spark plug wire. · Turn on gas valve. · Clean or replace air cleaner. Contact a qualified service person.
Engine is locked, will not pull over.	· Debris locked against reel, or drive pulleys. Engine problem.	· Pull spark plug wire and remove debris. Contact an engine servicing dealer for engine problems.

When servicing engine refer to specific manufacturers engine owner's manual. Engine warranty is covered by the specific engine manufacturer. If your engine requires warranty or other repair work contact your local servicing engine dealer. When contacting a dealer for service it is a good idea to have your engine model number available for reference (See table page 3). If you cannot locate a servicing dealer in your area you can contact the manufacturers national service organization.

To reach:

American Honda: 800-426-7701

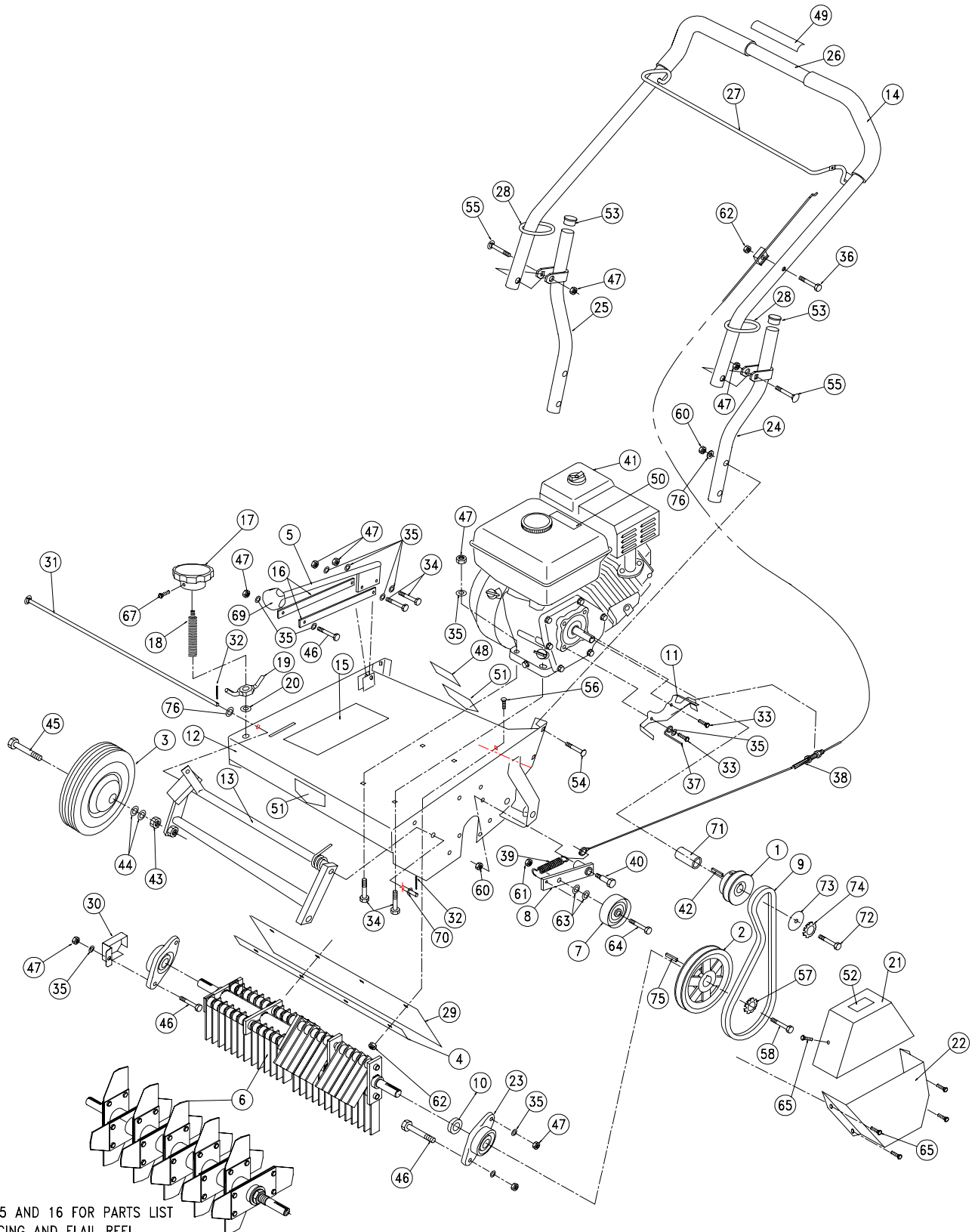
WARRANTY CLAIM PROCEDURE

Should a BILLY GOAT[®] machine fail due to a defect in material and/or workmanship, the owner should make a warranty claim as follows:

- The machine must be taken to the dealer from whom it was purchased or to an authorized Servicing BILLY GOAT Dealer.
- The owner must present the remaining half of the Warranty Registration Card, or, if this is not available, the invoice or receipt.
- The Warranty Claim will be completed by the authorized BILLY GOAT Dealer and submitted to their respective BILLY GOAT Distributor for their territory Attention: Service Manager. Any parts replaced under warranty must be tagged and retained for 90 days. The model number and serial number of the unit must be stated in the Warranty Claim.
- The distributor service manager will sign off on the claim and submit it to BILLY GOAT for consideration.
- The Technical Service Department at BILLY GOAT will study the claim and may request parts to be returned for examination. BILLY GOAT will notify their conclusions to the distributor service manager from whom the claim was received.
- The decision by the Technical Service Department at BILLY GOAT to approve or reject a Warranty Claim is final and binding.

For online product registration go to www.billygoat.com

PARTS DRAWING CR550HC



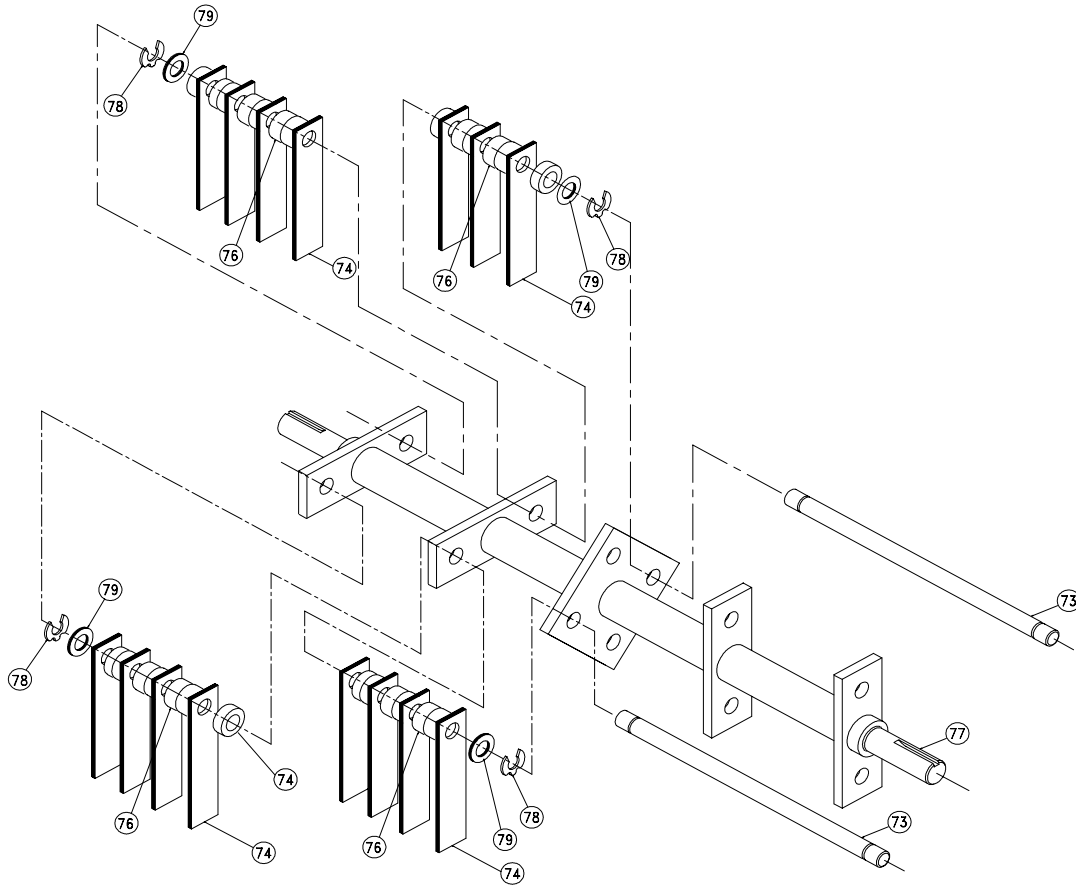
SEE PAGE 15 AND 16 FOR PARTS LIST FOR SLICING AND FLAIL REEL



PARTS LIST

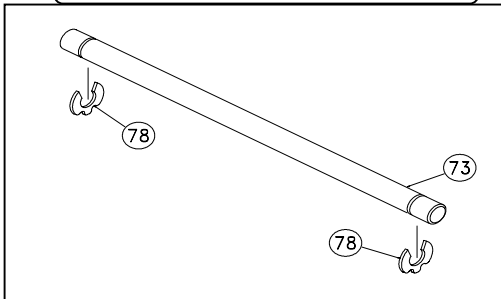
item no.	PARTS LIST	CR 550HC Part No.	QTY
1	Pulley 3.0" O.D.	350101	1
2	Pulley 5.5" O.D. X 3/4"	350206	1
3	Wheel 8" Semi-Pneu White	350236	4
4	Bar Strap	350211	1
5	Rod Height Wa	350220	1
6	Reel Flail Assy (see page 10 & 11 for parts list and detailed dwg.)	350241	1
7	Pulley Idler 2.75"	350114	1
8	Arm Idler WA	350115	1
9	Belt 5L X 34"	350207	1
10	Spacer Reel Pulley	350118	1
11	Bracket Belt Finger	350208	1
12	Chassis WA W / Label	350235	1
13	Frame Front WA	350213	1
14	GRIP 1" x 13"	400570	2
15	Label Instr. Hgt. Adj.	350224	1
16	Link Height Bar	350223	2
17	Knob Height Adj.	850154	1
18	STUD 3/4"-10 X 5 1/2" PLTD	810538	1
19	LOCKNUT ASSY	800227	1
20	WASHER 3/4" NYLON	800109	1
21	Guard Belt Top Wa	350248	1
22	Guard Belt Bottom Wa	350249	1
23	Bearing 3/4" Cast Flange	350209	2
24	Handle Lower LH WA	350134	1
25	Handle Lower RH WA	350135	1
26	Handle Upper PR500	350136	1
27	Bail Clutch WA	350137	1
28	Loop Folding Handle	350138	2
29	Deflector Rubber	350210	1
30	Guard Shaft CR	350250	1
31	PIN LIFT FRONT 3/8" X 21 3/16" Long	350212	1
32	PIN COTTER 1/8" X 1" Z/P	900471	1
33	SCREW CAP 5/16-24x3/4" GR5	8042026	2
34	SCREW CAP 5/16 - 18 x 1 1/2	8041030	6
35	WASHER 1/4" FLAT Z/P	8171002	13
36	SCREW CAP 1/4"-20X1.5"	8041008	1
37	BELT FINGER WIRE	350301	1
38	Cable Clutch Reel PR500	350181	1
39	Spring Extension	350300	1
40	Bolt Shoulder 1/2" X 1"	500114	1
41	ENGINE HONDA 5.0 HP GC	430272	1
42	KEY 3/16" X 1"	9201078	1
43	NUT 1/2 - 13 JAM	8162005	4
44	WASHER 1/2 SAE	8172011	8
45	SCREW CAP 1/2-13 x 3" Z/P	8041102	4
46	SCREW CAP 5/16"-18X1 1/4" HCS ZP	8041029	5
47	NUT LOCK 5/16-18	8160002	13
48	LABEL DANGER THROWN OBJECT	810736	1
49	LABEL CLUTCH VQ	830503	1
50	LABEL HOT ENGINE	400268	1
51	LABEL WARNING	400424	2
52	LABEL DANGER GUARD	900327	1
53	PLUG CAP 1" RD	890132	2
54	BOLT CARRAIGE 3/8-16 x 1 3/4	8024061	4
55	BOLT CARRAIGE 5/16-18 x 1 3/4	8024043	2
56	SCREW CAP 1/4-20x1"	8041006	4
57	LOCK WASHER TWISTED TOOTH	400502	1
58	SCREW CAP 3/8-16x1" REEL ASSEMBLY	8041050	1
60	NUT LOCK 3/8-16	8160003	5
61	NUT LOCK 3/8-16 THIN	8161042	1
62	NUT LOCK 1/4-20	8160001	5
63	WASHER 5/16 FLAT CUT	8171003	2
64	SCREW CAP 3/8-16x1.5"	8041052	1
65	SCREW CAP SHEET METAL DRILL POINT 1/4X3/4	430208	6
66			
67	SCREW MACH. #10-24X2"	8059143	1
68			
69	Knob Height Adj.	430128	1
70	WASHER 5/16 SAE	8172009	1
71	SPACER CRANK CR HONDA	350338	1
72	SCREW CAP 5/16-24 x 1 1/4" GR. 8	400389	1
73	WASHER FENDER 5/16	8172020	1
74	WASHER TWISTED TOOTH	400389	1
75	KEY 3/16" X 5/8"	9201072	1
76	3/8 FLAT CUT WASHER	8171004	5

FLAIL REEL ASSY 350241



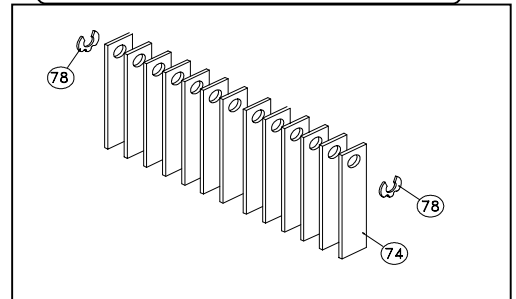
item no.	PARTS LIST	Part No.	QTY
73	SHAFT FLAIL BLADE	350141	4
74	BLADE FLAIL	350205	52
75	SPACER BUMPER 5/8" X 1/4"	350143	4
76	SPACER BUMPER 5/8" x 1/2"	350144	44
77	SHAFT WA FLAIL REEL	350145	1
78	CLIP LOCK 1/2"	350146	8
79	WASHER 1/2 SAE	8172011	8

FLAIL SHAFT KIT 350185



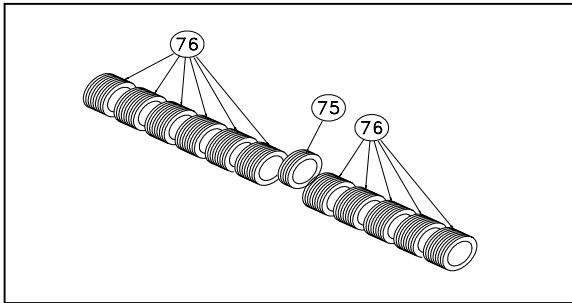
item no.	PARTS LIST	Part No.	QTY
73	SHAFT FLAIL BLADE	350141	4
78	CLIP LOCK 1/2"	350146	8

FLAIL BLADE KIT 350251



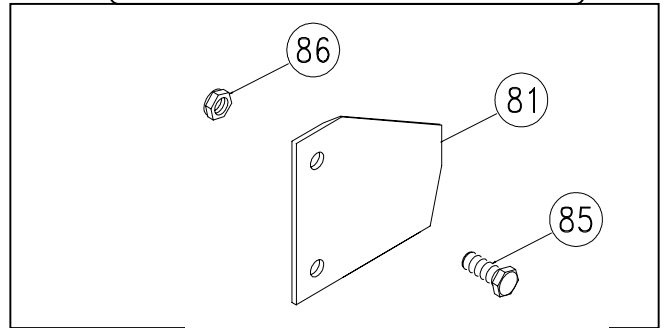
item no.	PARTS LIST	Part No.	QTY
74	BLADE FLAIL	350205	52
78	CLIP LOCK 1/2"	350146	8

SPACER BUMPER KIT 350258



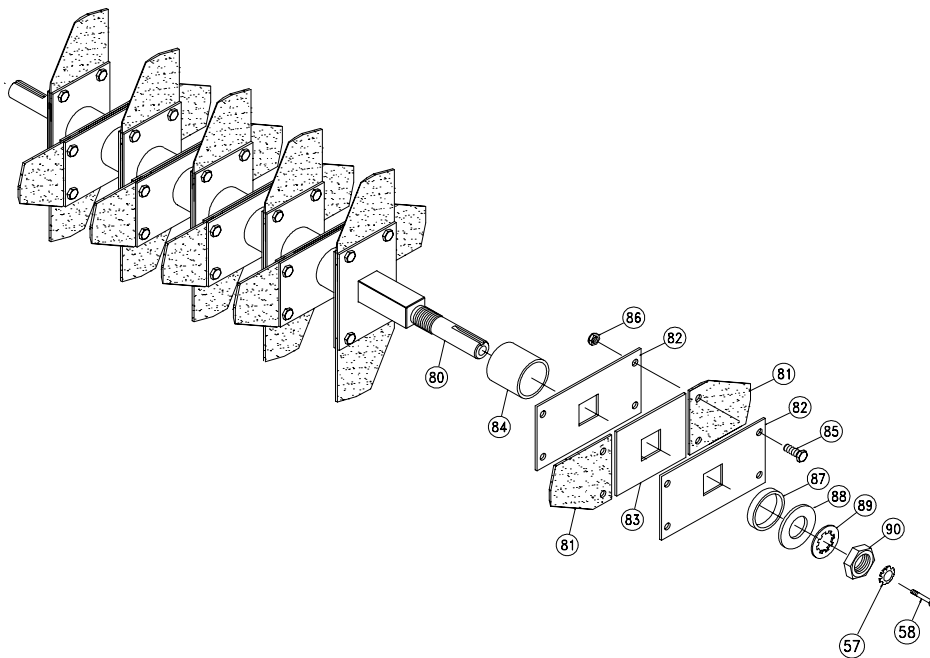
item no.	PARTS LIST	Part No.	QTY
75	SPACER BUMPER 5/8" x 1/4"	350143	4
76	SPACER BUMPER 5/8" x 1/2"	350144	54

SLICING BLADE KIT 350187



item no.	PARTS LIST	PR500 Part No.	QTY
81	BLADE SLICING REEL	350147	20
85	SCREWCAP 1/4-20 x 3/4, GR. 5	350151	40
86	NUT LOCK 1/4-20	8142004	40

SLICING REEL ASSY 350252



item no.	PARTS LIST	PR500 Part No.	QTY
57	LOCK WASHER 5/16 TWISTED TOOTH	430298	1
58	SCREWCAP 5/16 - 24 X 1" GR. 5	400164	1
80	SHAFT SLICING WA	350142	1
81	BLADE SLICING REEL	350147	20
82	PLATE BLADE MTG.	350253	20
83	SPACER BLADE MTG.	350254	10
84	SPACER BLADE ASSY	350150	9
85	SCREWCAP 1/4-20 x 3/4, GR. 5	350151	40
86	NUT LOCK 1/4-20	8142004	40
87	COLLAR SPACER	350152	1
88	WASHER 0.937 x 1.750 x 0.119	350153	1
89	WASHER LOCK 7/8 INT. TOOTH	350154	1
90	NUT JAM 7/8-14	350155	1

Free Manuals Download Website

<http://myh66.com>

<http://usermanuals.us>

<http://www.somanuals.com>

<http://www.4manuals.cc>

<http://www.manual-lib.com>

<http://www.404manual.com>

<http://www.luxmanual.com>

<http://aubethermostatmanual.com>

Golf course search by state

<http://golfingnear.com>

Email search by domain

<http://emailbydomain.com>

Auto manuals search

<http://auto.somanuals.com>

TV manuals search

<http://tv.somanuals.com>