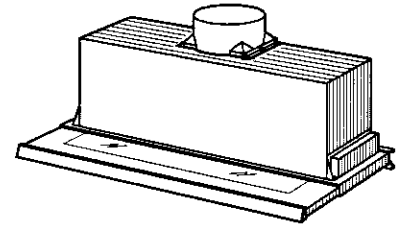


# U102I SERIES RANGE HOODS



**Slim-line design provides strong, effective ventilation and cooktop lighting unobtrusively.**

### FEATURES

- Italian design
- Cabinet mount
- Finish: 304 Stainless Steel #4 Brushed, White & Black
- Black Glass Control Panel
- Width: 30" & 36"
- 8" round duct connector/backdraft damper
- Halogen lighting (2 x 20 watt, Type JC 12V 20W G4 Base - bulbs included) with multilevels from bright cooktop illumination to a low nighttime setting
- Advanced, electronic push-button controls
- Quiet, variable-speed centrifugal blower with high-efficiency motor produces 500 cfm of exhaust
- Four-speed motor controls
- Delay timer control automatically shuts off range hood after ten minutes
- Special control indicates when it's time to clean the filter
- Can be ducted to the outside or non-ducted for indoor recirculation (purchase recirculation kit separately)
- Dishwasher-safe filter features a quick-release latch and decorative cover plate
- Heat Sentry™ - automatically turns blower to high speed when excess cooking heat is detected
- Pull out visor with clear glass panel

### OPTIONS

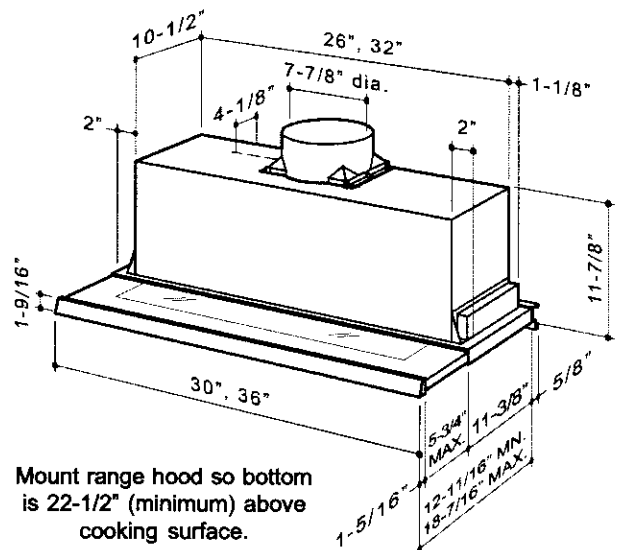
- Replacement grease filters available
- Non-ducted recirculation kit (Model ANKU10)
- Replacement charcoal filters available (Model ROUND FILTER)
- Exterior blower (U102E Series) available, providing 600, 900, 1200, or 1500 cfm exhaust
- Replacement bulb (Part No. SB02300891)

### SPECIFICATIONS

VOLTS	AMPS	CFM	SONES	DUCT
120	3.13	500	10.0	8" round



HVI-2100 CERTIFIED RATINGS comply with new testing technologies and procedures prescribed by the Home Ventilating Institute, for off-the-shelf products, as they are available to consumers. Product performance is rated at 0.1 in. static pressure, based on tests conducted in AMCA's state-of-the-art test laboratory. Sones are a measure of humanly-perceived loudness, based on laboratory measurements.



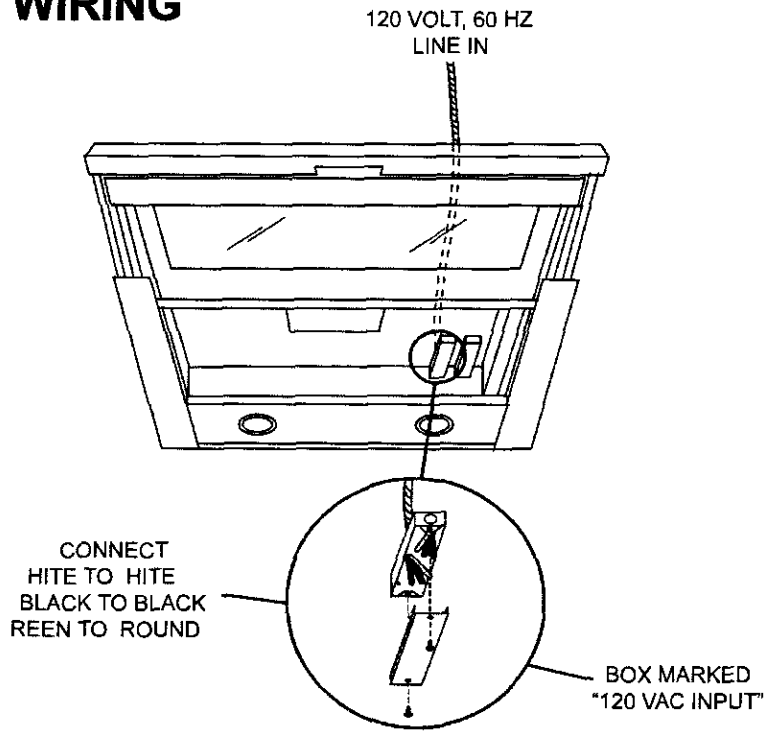
Mount range hood so bottom is 22-1/2" (minimum) above cooking surface.



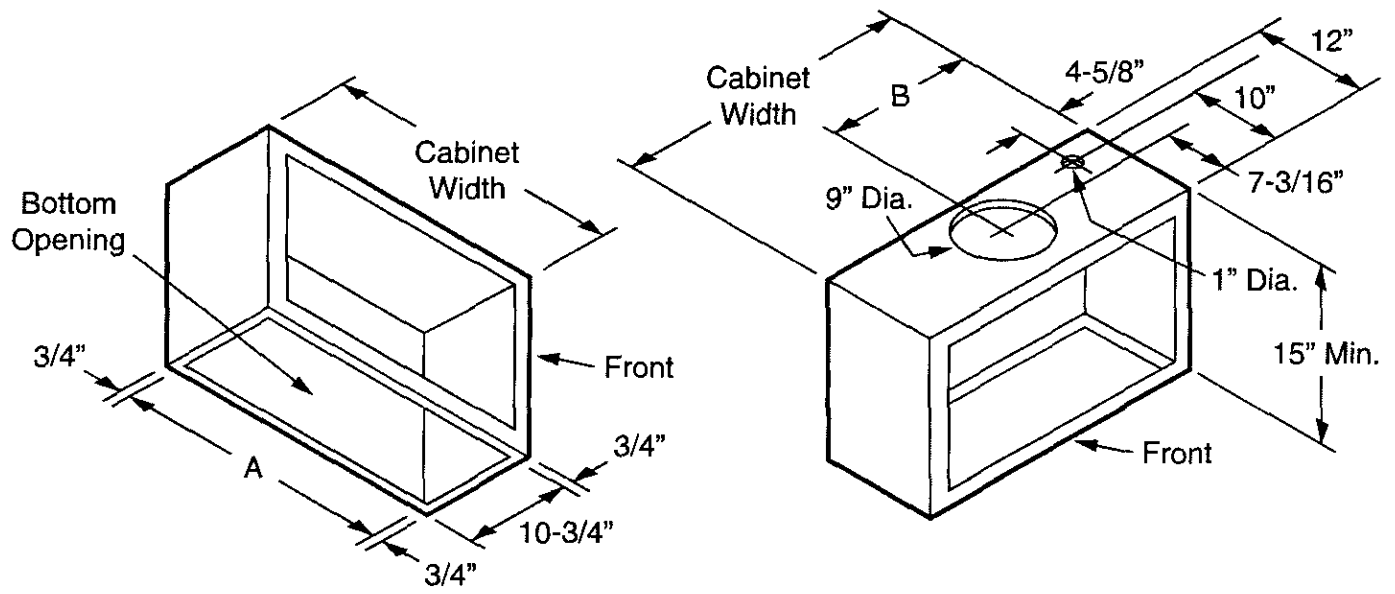
BEST BY BROAN P.O. BOX 140 HARTFORD, WISCONSIN 53027

REFERENCE	QTY.	REMARKS	Project
			Location
			Architect
			Engineer
			Contractor
			Submitted by
			Date

# U102I SERIES WIRING



# U102I SERIES MOUNTING



Cabinet Width	"A"	"B"
30"	28-1/2"	15"
36"	34-1/2"	18"



BEST BY BROAN P.O. BOX 140 HARTFORD, WISCONSIN 53027

## Free Manuals Download Website

<http://myh66.com>

<http://usermanuals.us>

<http://www.somanuals.com>

<http://www.4manuals.cc>

<http://www.manual-lib.com>

<http://www.404manual.com>

<http://www.luxmanual.com>

<http://aubethermostatmanual.com>

Golf course search by state

<http://golfingnear.com>

Email search by domain

<http://emailbydomain.com>

Auto manuals search

<http://auto.somanuals.com>

TV manuals search

<http://tv.somanuals.com>